



# Washer extractors

## W475S, W485S, W4105S

### Features and benefits

- **Clarus Control® with:**
  - Fully programmable microprocessor
  - All relevant wash parameters can be programmed
  - Programming from key pad or downloading via memory card
- **AS – Automatic Savings:**
  - The machine weighs the linen and adjusts the amount of water and energy according to the load. This leads to considerable savings in case the machine is not fully loaded
- Frequency-controlled motor with fixed wash and extraction speeds ensures smooth action in the wash and extraction sequence
- Good dewatering ability due to higher G-force compared with a traditional solid mount machine
- Solid mount construction with robust frame in galvanized steel
- Extremely low water and energy consumption – see table below
- Four compartment soap box for manual dosing of powder or liquid detergent
- Large door opening for easy loading/unloading
- Stainless and galvanized steel in all vital parts for high degree of rust protection
- SuperBalance™ guarantees the correct extraction force



Images shown are a representation of the product only and variations may occur.

### Main options

- Stainless steel front panel
- Stainless steel side panel
- Drain pump

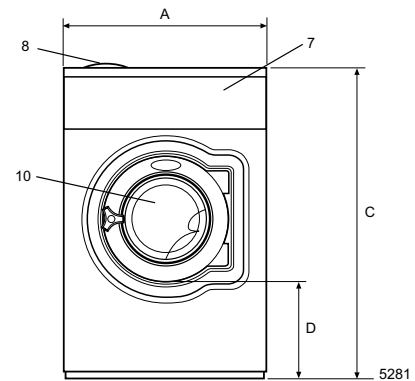
Main specifications			W475S		W485S		W4105S	
Max. capacity	kg/lb		8/18		9/20		11/25	
Drum, volume	litre		75		85		105	
diameter	ø mm		520		520		595	
Extraction	rpm		830		830		776	
G-factor			200		200		200	
Heating alternatives, 230/400V	electricity	kW	5.2 / 7.4		5.2 / 7.4		5.2 / 7.4 / 9.6	
	steam		x		x		x	
	non-heated		x		x		x	
<b>Consumption data "Normal 60°C" * (3G01)</b>			El	Steam	El	Steam	El	Steam
Total time	min		46	**	46	**	47	**
Water consumption (cold+hot)	litre		54+14	54+14	55+15	55+15	72+20	72+20
Energy consumption (motor/heating)	kWh		0.15/0.35	0.15	0.15/0.35	0.15	0.15/0.5	0.15
Steam consumption	kg		-	0.5	-	0.5	-	0.7

\* Water temperature 15°C cold water and 65°C hot water

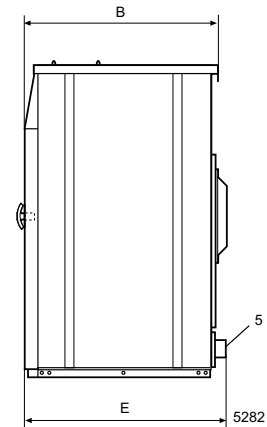
\*\* Depending on steam pressure



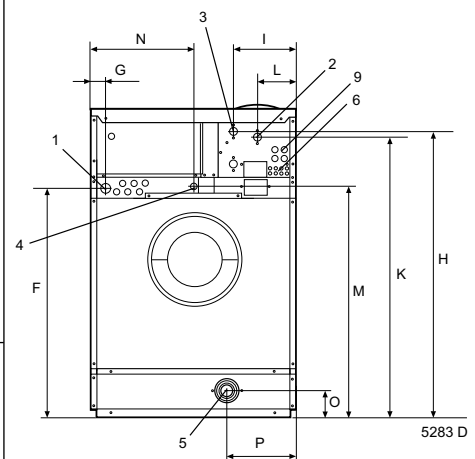
Electrical connections*		W475S	W485S	W4105S
Heating	Voltage			
El.	230V 1AC 50 Hz	kW(A) 7.3 (35)	7.3 (35)	9.6 (50)
	230V 3AC 50 Hz	kW(A) 7.3 (25)	7.3 (20)	9.6 (35)
	208-240V 3AC 60 Hz	kW(A) 7.3 (25)	7.3 (25)	9.6 (35)
	240V 1AC 60 Hz	kW(A) 5.6 (25)	5.6 (25)	5.6 (25)
	400-415V 3N AC 50 Hz	kW(A) 7.3 (16)	7.4 (16)	9.6 (16)
Steam or non-heated	230V 1AC 60 Hz	kW(A) 0.6 (10)	0.6 (10)	0.8 (10)
	208-240V 1AC 60 Hz	kW(A) 0.6 (10)	0.6 (10)	0.8 (10)
	230V 1AC 50 Hz	kW(A) 0.6 (10)	0.6 (10)	0.8 (10)
<b>Water and steam connection</b>				
Water valves	DN	20	20	20
Water pressure	kPa	200-600	200-600	200-600
Capacity at 300 kPa	l/min	20	20	20
Drain valve	ømm	75	75	75
Draining capacity	l/min	170	170	170
Steam valve	DN	15	15	15
Steam pressure	kPa	300-600	300-600	300-600
Liquid detergent supplies		5	5	5
<b>Floor requirements</b>				
Frequency of the dynamic force	Hz	13.8	13.8	12.9
Floor load at max extraction	kN	1.6 ± 2.4	1.7 ± 2.6	1.9 ± 3.0
<b>Sound levels</b>				
Sound pressure level**	dB(A)	59	59	64
Sound power level (IEC 60704-2-4)				
wash	dB(A)	61	61	64
extraction	dB(A)	66	66	71
<b>Heat emission</b>				
% of installed power, max		5	5	5
<b>Shipping data</b>				
Shipping volume	net, kg	129	135	145
	crated, kg	150	156	167
	m <sup>3</sup>	0.74	0.74	0.9
<b>Accessories</b>				
Steel base frame		x	x	x
Hose kits for water or steam		x	x	x
Fluff collector		x	x	x
<b>Dimensions in mm</b>				
<b>A</b> Width		660	660	720
<b>B</b> Depth		690	730	705
<b>C</b> Height		1115	1115	1200
<b>D</b>		355	355	365
<b>E</b>		725	765	740
<b>F</b>		825	825	910
<b>G</b>		45	45	45
<b>H</b>		1030	1030	1115
<b>I</b>		215	215	215
<b>K</b>		1010	1010	1095
<b>L</b>		130	130	130
<b>M</b>		330	830	910
<b>N</b>		385	385	420
<b>O</b>		100	100	100
<b>P</b>		210	210	235
<b>1</b> Electrical connection		<b>6</b> Liquid supply connections		
<b>2</b> Cold water		<b>7</b> Control panel		
<b>3</b> Hot water		<b>8</b> Soap box		
<b>4</b> Steam connection		<b>9</b> Connections for water re-use		
<b>5</b> Drain		<b>10</b> Door opening ø 310 mm (W475S, W485S), ø 365 mm (W4105S)		



Front



Right side



Rear side

Front and side panels in light grey with "Blue Wave" on front panel (RAL 260 70 05, 250 60 30)

\* Other voltages available, see installation manual

\*\* Approx. value at operators position in a mid-size laundry room