

# Installation, Operation and Maintenance Manual

## OneFlow<sup>®</sup> Anti-Scale System

### Model OFTWH OneFlow<sup>®</sup> Anti-Scale System Chemical-Free, Salt-Free Scale Prevention

#### Introduction

The OneFlow<sup>®</sup> Anti-Scale System will condition the tap water providing optimum water characteristics for their specified applications. The result is reduced equipment maintenance requirements, longer equipment life and improved quality & consistency of your products.

The OneFlow<sup>®</sup> system is built with the finest and most advanced materials and each system is quality inspected and pressure tested prior to shipment. With proper installation and routine maintenance, you will have years of trouble-free operation.

Please refer to this manual when performing routine filter changes. The instructions make periodic maintenance quick and easy and ensure you will receive maximum benefit from your system.

#### System Specifications

**Maximum Pressure:** 90psi/620.1 kPa

**Maximum Temperature:** 100°F/38°C

**Min.:** 35°F/2°C

**Inlet/Outlet Connections:** 3/4" FNPT

**Service Flow Rate:** 0.5 gpm to 10 gpm (1.9 lpm to 38 lpm)

**Gallon Rating:** OFTWH: up to 6 gpm, 24/7/365 for 2 years for the OFTWHRM.


**Capacity:** OFTWHRM cartridge does not have a grain removal capacity, however, other contaminants present in the water will gradually degrade the effectiveness of this cartridge. Change the OFTWHRM cartridge at least once every two years.



**WATTS<sup>®</sup>**



## Notice to Installer

- Do not discard this manual after installation. This manual contains important operation, maintenance and precautionary information. Please present this manual to user/operator/owner after installation.
  - It is strongly encouraged that you read this manual before installing the system to ensure the best possible installation.
  - Installation must conform to all local and state plumbing codes and regulations.
  - Connect system to cold water supply only. Water temperature cannot exceed 100°F/38°C.
- 
- System **must be** installed in a vertical, upright and level position.
  - OneFlow® systems **must not** be used in conjunction with polyphosphate or any other scale inhibitor.
  - Do not use with water that is microbiologically unsafe or of unknown quality without adequate disinfection before or after the system.
  - Notice to user/operator/owner: Please retain this manual for future reference for parts, maintenance or troubleshooting.
  - It is recommended that all personnel responsible for operation and maintenance of this product read the precautions, operation and maintenance sections of this manual.

## Installation

1. Turn off all equipment to be fed by the OneFlow® System, locate water supply shutoff valve and turn OFF.
2. Determine if the water line has an existing water treatment system. If so, examine system for use of polyphosphate or other scale inhibitors. OneFlow® will not be effective if used in conjunction with other scale inhibitors. Remove the scale inhibitors from the water line or discontinue installation.
3. Install a 3/4" full-flow ball valve on the water supply side that will feed the water system.
4. Anchor the OneFlow® system on a wall stud or suitable mounting material spanning wall studs. System must be vertical and upright.
5. Run a suitable line from the 3/4" full-flow ball valve at the tap water source to the inlet ball valve on the left side of the OneFlow® system. Use 2-3 wraps of Teflon® tape and brace the inlet ball valve on the system with a wrench when connecting the feed water line. **NOTE: DO NOT OVERTIGHTEN CONNECTION FITTING INTO BALL VALVE.**
6. Select the appropriate size tubing for the equipment being fed and connect it to the outlet of the OneFlow® System. **NOTE: DO NOT** connect the tubing to the equipment at this time. Prior to making connection to the equipment, this line will be used to facilitate flushing the system. As an option, a drain valve in a tee on the outlet side of the OneFlow® system could be provided in the line to facilitate flushing when changing filters.



## Installation Precautions!

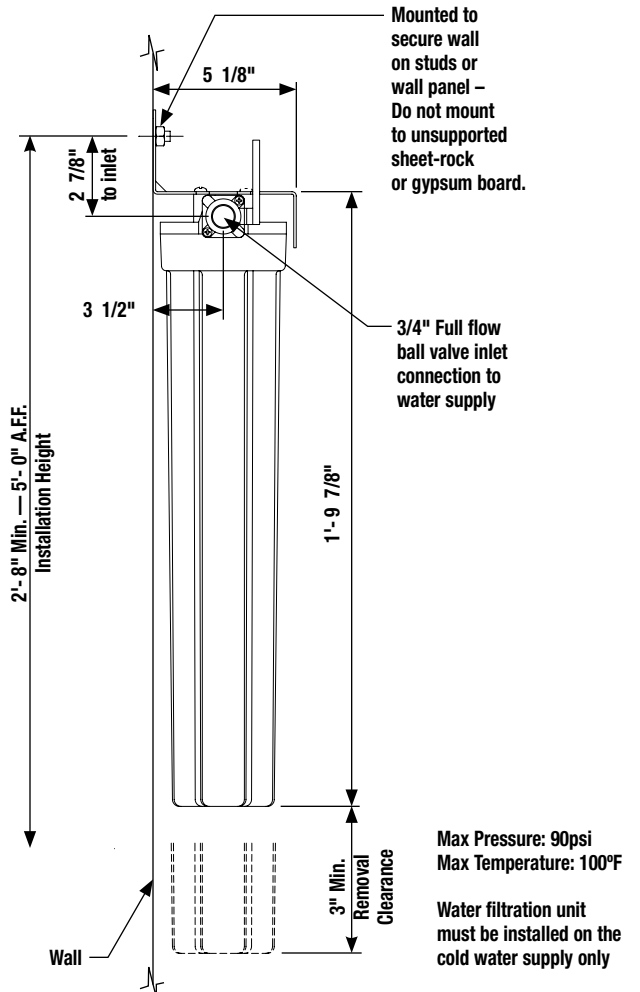
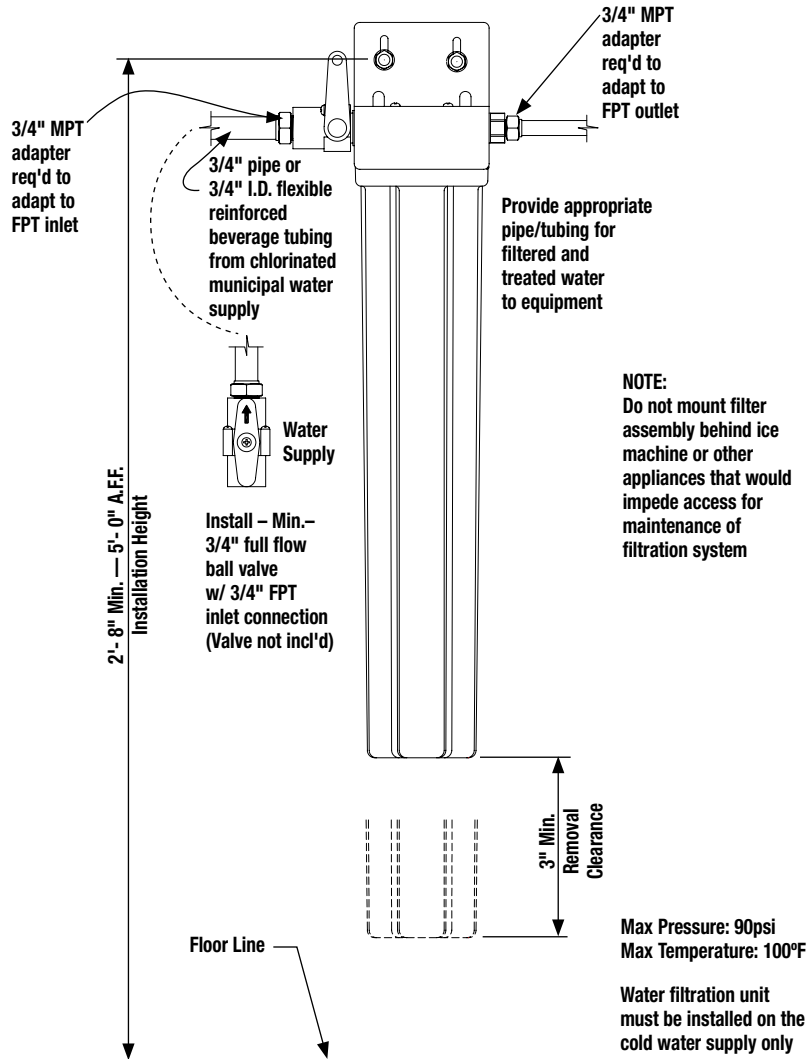
- Do **NOT** install system on line pressure above 90psi.
- Do **NOT** install system on HOT water line. Failure to limit line temperature to 100°F may result in housing failure and damage.
- Do **NOT** install the system backwards with the feed water line connected to the outlet.
- Do **NOT** use liquid pipe compounds for fitting connections. USE two to three wraps of Teflon® tape.
- Do **NOT** solder plumbing connections attached to filter housing or inlet valve. Inlet valve and filter housing will be damaged by high temperature.
- Do **NOT** allow system to freeze. Turn off water supply to housing and drain housing if temperature falls below 32°F.
- Do **NOT** install system in direct sunlight or where system is exposed to harsh chemicals or may be subjected to being struck by moving equipment, carts, mops or any other item that may cause damage.
- **ALLOW** a minimum of 3" under the housing to allow for filter replacement.
- **IF** water hammer is evident, install water hammer arrestors before the OneFlow® unit.
- Do **NOT** overtighten fitting connections into inlet valve or housing outlet.
- Always back-up valves and fittings with a wrench when installing a fitting to avoid turning the valve.
- Do **NOT** install the unit behind equipment where it may be difficult to access the system for filter replacement.

Position the OneFlow® unit in a suitable location. The direction of flow through the OneFlow® unit is always through the inlet first; keep this in mind when determining installation location. Do NOT mount the OneFlow® system near any source of heat. Also, do not mount the system above any device or area that would be adversely effected by water.

7. With OneFlow® inlet valve closed, slowly open the 3/4" full-flow ball valve at the tap water source. Check for leaks.
8. If a drain valve was not installed on the outlet side of the system, hold the tubing that will connect to equipment in a clean bucket or over sink or drain. Open the system inlet feed valve and allow water to flush through system for 2 minutes at the specified system flow rate to allow air bubbles to escape. **NOTE: NO ACTIVATION IS REQUIRED FOR THE OneFlow® SYSTEM TO PERFORM PROPERLY. FLUSHING IS RECOMMENDED TO ALLOW AIR TO ESCAPE THE SYSTEM.**
9. Make certain that the end of the tubing to be connected to the equipment is clean and sanitary.
10. Connect tubing to equipment. Open all water supply valves and check for leaks.
11. If no leaks, turn on equipment and check for normal operation.
12. Attach the Service Log to the installed OneFlow® System and fill in install date.

Teflon® is a registered trademark of E.I. DuPont de Nemours & Company.

# Installation Drawings & Dimensions



# Operation

With sufficient pressure, operation of the Watts OneFlow® System is completely automatic. Dependable operation involves only periodic filter changes and service documentation.

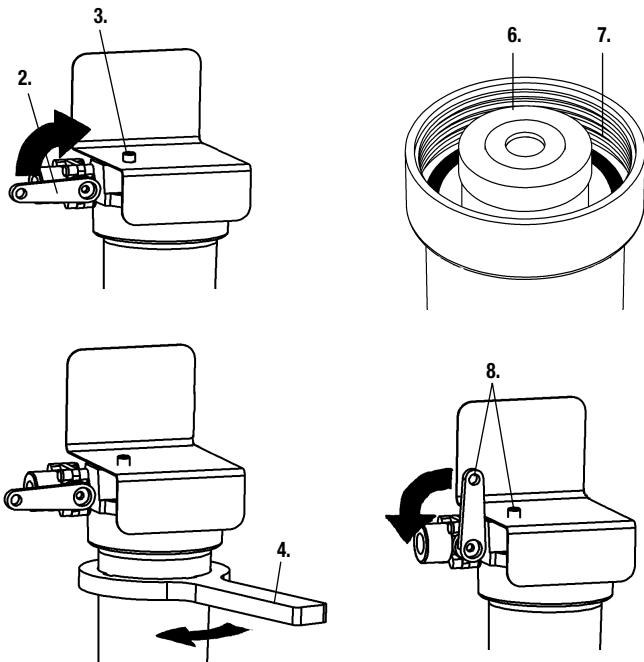
## Maintenance

Routine maintenance of your OneFlow® System involves periodic filter cartridge changes and/or replacement of sump O-rings. If the system sizing recommendations have been followed, the OneFlow® Cartridge should last two years.

### Filter Change Frequency

The filters should be changed in response to the following conditions.

**OFTWH-RM** • 24 months since installation or last filter change.



## Replacement Filter Cartridges

OneFlow® systems can only be used with OneFlow® filter cartridges. Use of replacement cartridges other than those specified will void warranties, certifications and may compromise equipment protection, water quality and equipment life.

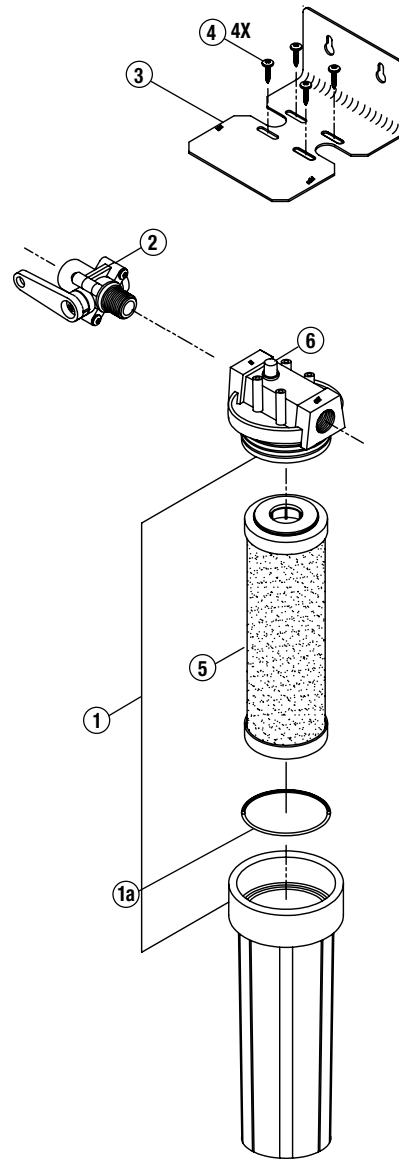
### Filter Cartridge Replacement Procedure

**IMPORTANT:** Determine whether all equipment connected to the OneFlow® system must be turned off prior to shutting off water supply from filters.

1. If required, turn off equipment.
2. Turn OFF water to OneFlow® system by closing Inlet Ball Valve.
3. Press the red button to release pressure.
4. Remove housing(s) - use filter wrench if necessary.
5. Clean inside of housing sumps with warm water. If desired, disinfect housing using a teaspoon of household bleach. Add to filter bowl and add water. Let stand 5 minutes and discard.
6. Insert new cartridge into filter housing. Match cartridge model number to model number on bracket.
7. Make certain the O-ring is properly positioned and reinstall filter housing (hand tighten only). Check O-ring for damage and replace if damaged or distorted.
8. Slightly open the inlet ball valve; push the red pressure relief button to release trapped air until a small amount of water comes out - release the red button and fully open the ball valve.
9. Open the flush valve downline from the filter housing (if equipped) and flush the new cartridge to drain or bucket for two (2) minutes or until water runs clear. If no flush valve is present, disconnect line from equipment to flush to drain.
10. **VERY IMPORTANT:** With water supply inlet valve OPEN and water flow confirmed, turn on connected equipment. Failure to supply water to equipment may cause serious damage.
11. Record filter change on the service log.

# Replacement Parts for: OneFlow® OFTWH

Drawing ID #	Description
1	Housing, w/PR
1a	O-Ring
2	Valve, 3/4" FxM Ball
3	Bracket, Single Housing
4	Screw
5	OFTWHRM Replacement Cartridge
6	Pressure Relief Button



## Limited Warranty

- The OneFlow® tank system is warranted to be free of defects in materials and workmanship for 5 years from the date of original shipment.
- The OneFlow® media is warranted for performance for a period of 2 years from the date of the original installation when installed and operated in accordance with the instructions in the corresponding Installation and Operation Manual.

Watts Regulator Company warrants its OneFlow® cartridge systems as follows:

- The OneFlow® cartridge system is warranted to be free of defects in materials and workmanship for 1 year from the date of original shipment.
- OneFlow® cartridges are warranted for performance for a period of one year from the date of original installation when installed and operated in accordance with the instructions in the corresponding Installation and Operation Manual.
- Carbon replacement filter cartridges are not warranted to perform for any period of time because the service life of replacement carbon filter cartridges varies significantly with local water conditions and volume.

## Conditions

1. The OneFlow® system must be installed in applications with municipally supplied water adhering to EPA guidelines.
2. Any component failure must not result from abuse, fire, freezing or other acts of nature, violence, or improper installation.
3. Equipment must be installed and operated in compliance with the local plumbing codes and on an approved water supply.
4. Equipment is limited to use at water pressures and temperatures that do not exceed our published specifications.
5. Water supply must not exceed 2.0 PPM chlorine. For water supply exceeding 2.0 PPM chlorine, pretreatment is required. (Please contact your water treatment specialist.)
6. Information, including model number, serial number, and date of installation, must be provided for any claims pertaining to equipment in warranty.
7. Defective parts are subject to inspection by either Watts Regulator Company or any authorized representative before final commitment of warranty adjustment is made.
8. Watts Regulator Company reserves the right to make changes or substitutions in parts or equipment with material of equal quality or value and of then current production.

## Limitations

Our obligation under this warranty with respect to the tank or valve is limited to furnishing a replacement for, or at our option, repairing any part or parts to our satisfaction that prove defective within the warranty period stated above. Such replacement parts will be delivered to the owner F.O.B. nearest factory, at no cost, excluding freight and local labor charges, if any.

Our obligation under this warranty with respect to the OneFlow® media will be limited to furnishing a replacement for the media within two years from date of original installation. Such replacement media will be delivered to the owner F.O.B. nearest factory, at no cost, excluding freight and local labor charges, if any. Damage to the media due to chlorine, other oxidizers or fouling caused by local water conditions or any other operation outside of the limits shown under Specifications, is not covered by this warranty.

THE WARRANTY SET FORTH HEREIN IS GIVEN EXPRESSLY AND IS THE ONLY WARRANTY GIVEN BY WATTS REGULATOR COMPANY WITH RESPECT TO THE PRODUCT. WATTS REGULATOR COMPANY MAKES NO OTHER WARRANTIES, EXPRESS OR IMPLIED. WATTS REGULATOR COMPANY HEREBY SPECIFICALLY DISCLAIMS ALL OTHER WARRANTIES, EXPRESS OR IMPLIED, INCLUDING BUT NOT LIMITED TO THE IMPLIED WARRANTIES OF MERCHANTABILITY AND FITNESS FOR A PARTICULAR PURPOSE.

The remedy described under this warranty shall constitute the sole and exclusive remedy for breach of warranty, and Watts Regulator Company shall not be responsible for any incidental, special or consequential damages, including without limitation, freight, handling, lost profits or the cost of repairing or replacing other property which is damaged if this product does not work properly, other costs resulting from labor charges, delays, vandalism, negligence, fouling caused by foreign material, damage from adverse water conditions, chemical, or any other circumstances over which Watts Regulator Company has no control. This warranty shall be invalidated by any abuse, misuse, misapplication or improper installation of the product.

Some states do not allow limitations on how long an implied warranty lasts, and some states do not allow the exclusion or limitation of incidental or consequential damages. Therefore the above limitations may not apply to you. This warranty gives you specific legal rights, and you may have other rights that vary from state to state. You should consult applicable state laws to determine your rights. SO FAR AS IS CONSISTENT WITH APPLICABLE STATE LAW, ANY IMPLIED WARRANTIES THAT MAY NOT BE DISCLAIMED, INCLUDING THE IMPLIED WARRANTIES OF MERCHANTABILITY AND FITNESS FOR A PARTICULAR PURPOSE, ARE LIMITED IN DURATION TO THE APPLICABLE WARRANTY PERIODS STATED ABOVE.

### CALIFORNIA PROPOSITION 65 WARNING

**WARNING:** This product contains chemicals known to the State of California to cause cancer and birth defects or other reproductive harm. (California law requires this warning to be given to customers in the State of California.)

For more information: [www.watts.com/prop65](http://www.watts.com/prop65)



A Watts Water Technologies Company



USA: 815 Chestnut St., No. Andover, MA 01845-6098; [www.watts.com](http://www.watts.com)

Canada: 5435 North Service Rd., Burlington, ONT. L7L 5H7; [www.wattscanada.ca](http://www.wattscanada.ca)

# Manual de instalación, funcionamiento y mantenimiento

## OneFlow<sup>®</sup> Anti-Scale System

**Modelo OFTWH**  
**Sistema anticalcáreos OneFlow<sup>®</sup>**  
**Prevención de calcáreos sin productos químicos ni sal**

### Introducción

El sistema anticalcáreos OneFlow<sup>®</sup> acondiciona el agua corriente ofreciendo características óptimas para sus aplicaciones específicas. El resultado es menores requisitos para el mantenimiento de los equipos, mayor durabilidad de los mismos y mejor calidad y uniformidad de sus productos.

El sistema OneFlow<sup>®</sup> está fabricado con los materiales más finos y avanzados; cada sistema pasa por un control de calidad y presión antes de ser enviado al cliente. Con una instalación adecuada y mantenimiento periódico, usted tendrá años de funcionamiento sin problemas.

Consulte este manual cuando realice los cambios periódicos del filtro. Las instrucciones agilizan y facilitan el mantenimiento periódico y garantizan que usted reciba el máximo beneficio de su sistema.

### Especificaciones del sistema

**Presión máxima:** 620,1 kPa (90 psi)

**Temperatura máxima:** 38 °C (100 °F)

**Min.:** 2 °C (35 °F)

**Conexiones de entrada/salida:** FNPT 19,05 mm (¾ pulg.)

**Velocidad máxima de flujo:** 1,9 lpm a 38 lpm (0,5 gpm a 10 gpm)


**Clasificación de galón:** OFTWH: hasta 27,3 lpm (6 gpm), 24/7/365 por 2 años para el OFTWHRM.

**Capacidad:** El cartucho OFTWHRM no posee capacidad de eliminación de granos; sin embargo, otros contaminantes presentes en el agua degradan gradualmente la eficacia de este cartucho. Cambie el cartucho OFTWHRM por lo menos una vez cada dos años.



**WATTS<sup>®</sup>**

## Nota para el instalador

- No deseche este manual después de la instalación. Este manual contiene información importante sobre el funcionamiento, el mantenimiento y precauciones. Entregue este manual al usuario/operador/propietario después de la instalación.
  - Se recomienda con insistencia que lea este manual antes de instalar el sistema para garantizar la mejor instalación posible.
  - La instalación debe estar conforme a todos los códigos y regulaciones locales y estatales de plomería.
  - Conecte el sistema al suministro de agua fría solamente. La temperatura del agua no puede exceder 38 °C (100 °F)
- 
- El sistema **debe ser** instalado en posición vertical, de pie y a nivel.
  - Los sistemas OneFlow® **no deben** usarse con polifosfato u otro inhibidor de calcáreos.
  - No use con agua que sea microbiológicamente insegura o de calidad desconocida sin desinfección adecuada antes o después del sistema.
  - Nota para el usuario/operador/propietario: Conserve este manual para referencias futuras para piezas, mantenimiento o solución de problemas.
  - Se recomienda que todo el personal responsable del funcionamiento y el mantenimiento de este producto lea las secciones de precauciones, funcionamiento y mantenimiento de este manual.

## Instalación

1. Apague todos los equipos que serán alimentados por el sistema OneFlow®, ubique la válvula de suministro de agua y CIÉRRELA.
2. Determine si la tubería de agua ya tiene un sistema de tratamiento de agua. Si es así, vea si el sistema usa polifosfato u otros inhibidores de calcáreos. OneFlow® no tendrá eficacia si se usa junto con otros inhibidores de calcáreos. Retire los inhibidores de calcáreos del nivel del agua o interrumpa la instalación.
3. Instale una válvula esférica para caudal total de 19,05 mm (<sup>3</sup>/<sub>4</sub> pulg.) en el lado del suministro de agua que alimentará el sistema de agua.
4. Fije el sistema OneFlow® en un travesaño o un material de montaje apropiado con travesaños. El sistema debe estar en posición vertical y de pie.
5. Conecte una tubería adecuada que vaya desde la válvula esférica para caudal total de 19,05 mm (<sup>3</sup>/<sub>4</sub> pulg.) en la fuente de agua corriente hasta la válvula esférica de entrada en el lado izquierdo del sistema OneFlow®. Use 2 a 3 vueltas de cinta Teflon® y ajuste la válvula esférica de entrada en el sistema con una llave cuando conecte la tubería de agua de entrada.  
**NOTA:** NO APRIETE EXCESIVAMENTE EL ACCESORIO DE CONEXIÓN EN LA VÁLVULA ESFÉRICA.
6. Seleccione el tamaño apropiado de tubería para el equipo a ser alimentado y conéctelo a la salida del sistema OneFlow®.  
**NOTA:** NO conecte la tubería al equipo en este momento. Antes de hacer la conexión al equipo, esta tubería será usada para facilitar la purga del sistema. Como opción, podría suministrarse

## ¡Precauciones para la instalación!

- **NO** instale el sistema con una presión de tubería que exceda 620,1 kPa (90psi).
- **NO** instale el sistema en la tubería de agua CALIENTE. El no limitar la temperatura de la tubería a 37,8 °C (100 °F) puede dar lugar a fallas y daños en el armazón.
- **NO** instale el sistema al revés, con la tubería de agua de suministro conectada a la salida.
- **NO** use compuestos líquidos para cañerías en las conexiones de los accesorios. USE dos a tres vueltas de cinta Teflon®.
- **NO** suelde las conexiones de la tubería conectadas al armazón del filtro o a la válvula de entrada. La válvula de entrada y el armazón del filtro se dañarán con la alta temperatura.
- **NO** deje que el sistema se congele. Apague el suministro de agua al armazón y drene el armazón si la temperatura cae por debajo de 0 °C (32 °F).
- **NO** instale el sistema a la luz solar directa o donde esté expuesto a químicos abrasivos o pueda estar sujeto a golpes por equipos móviles, carros, mopas u otro elemento que pueda causar daños.
- **PERMITA** un mínimo de 7,6 cm (3 pulg.) debajo del armazón para permitir el reemplazo de filtros.
- **SI** se observa un golpe de ariete, instale amortiguadores de golpe de ariete antes de la unidad OneFlow®.
- **NO** apriete en exceso las conexiones de los accesorios en la válvula de entrada o la salida del armazón.
- Sujete siempre las válvulas y los accesorios con una llave cuando instale un accesorio para que no gire la válvula.
- **NO** instale la unidad detrás de equipos, donde pueda ser difícil acceder al sistema para el reemplazo de filtros.

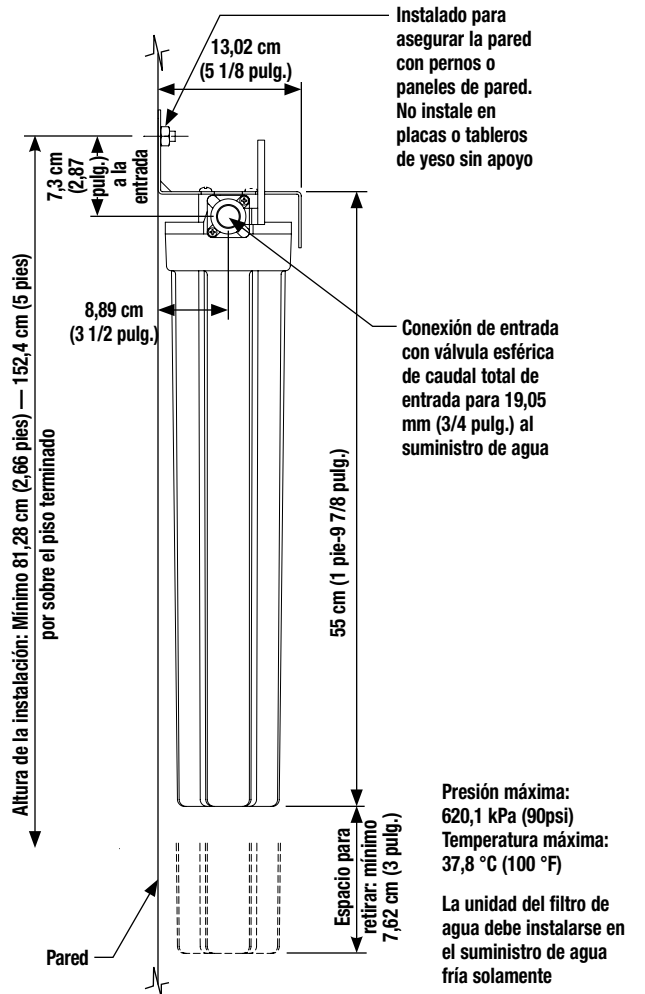
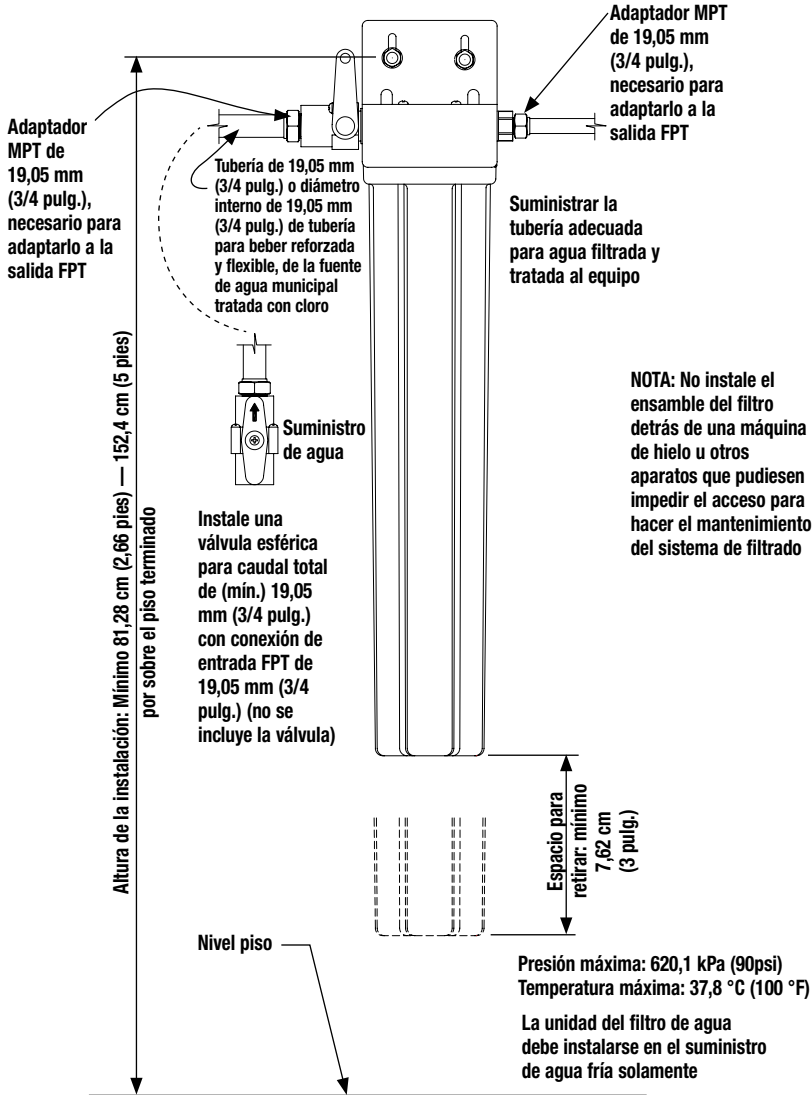
Coloque la unidad OneFlow® en un lugar adecuado. La dirección del flujo a través de la unidad OneFlow® siempre es a través de la entrada primero; tenga esto presente cuando fije la ubicación de la instalación. NO instale el sistema OneFlow® cerca de fuentes de calor. De igual manera, no instale el sistema encima de dispositivos o áreas que pudiesen ser negativamente afectadas por el agua.

- en la tubería una válvula de drenaje en una conexión en T en la parte de la salida del sistema OneFlow® para facilitar la purga cuando se haga el cambio de filtros.
7. Con la válvula de entrada OneFlow® cerrada, abra lentamente la válvula esférica para caudal total de 19,05 mm (<sup>3</sup>/<sub>4</sub> pulg.) en la fuente de agua corriente. Compruebe que no haya fugas.
  8. Si no se instaló una válvula de drenaje en la parte de la salida del sistema, mantenga la tubería que conectará el equipo en un balde limpio o sobre el fregadero o desagüe. Abra la válvula de suministro de la entrada del sistema y deje que fluya el agua por el sistema durante 2 minutos a la velocidad de caudal que indica el sistema para permitir que escapen las burbujas de aire.  
**NOTA:** NO SE REQUIERE ACTIVACIÓN PARA QUE EL SISTEMA OneFlow® FUNCIONE ADECUADAMENTE. SE RECOMIENDA PURGAR PARA PERMITIR QUE EL AIRE ESCAPE DEL SISTEMA.
  9. Cerciórese de que el extremo de la tubería que será conectada al equipo esté limpio e higienizado.
  10. Conecte la tubería al equipo. Abra todas las válvulas de suministro de agua y compruebe que no haya fugas.
  11. Si no hay fugas, encienda el equipo y compruebe que esté funcionando normalmente.
  12. Adhiera el registro de servicio en el sistema OneFlow® instalado y escriba la fecha de instalación.

Teflon® es una marca comercial registrada de E.I. Dupont de Nemours & Company.



# Planos y dimensiones para la instalación



# Funcionamiento

Con suficiente presión, el funcionamiento del sistema OneFlow® de Watts es completamente automático. Un funcionamiento confiable requiere solamente de cambios periódicos de filtros y documentación del servicio.

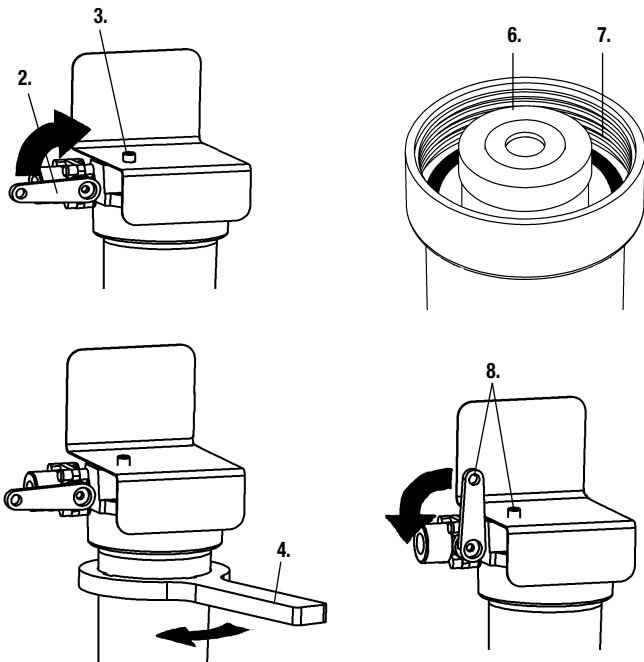
## Mantenimiento

El mantenimiento de rutina de su sistema OneFlow® involucra cambios periódicos de los cartuchos de filtro y/o el reemplazo de las juntas tóricas (O-rings) del sumidero. Si se han seguido las recomendaciones de dimensiones del sistema, el cartucho OneFlow® debería durar dos años.

### Frecuencia del cambio de filtros

Los filtros deberían cambiarse al presentarse las siguientes condiciones.

**OFTWH-RM • 24 meses** desde la instalación o del último cambio de filtro.



## Cartuchos de filtro de repuesto

Los sistemas OneFlow® sólo pueden usarse con cartuchos de filtro OneFlow®. Un uso de cartuchos de filtro diferentes a los especificados anulará las garantías, los certificados y podría afectar la protección del equipo, la calidad del agua y la vida del equipo.

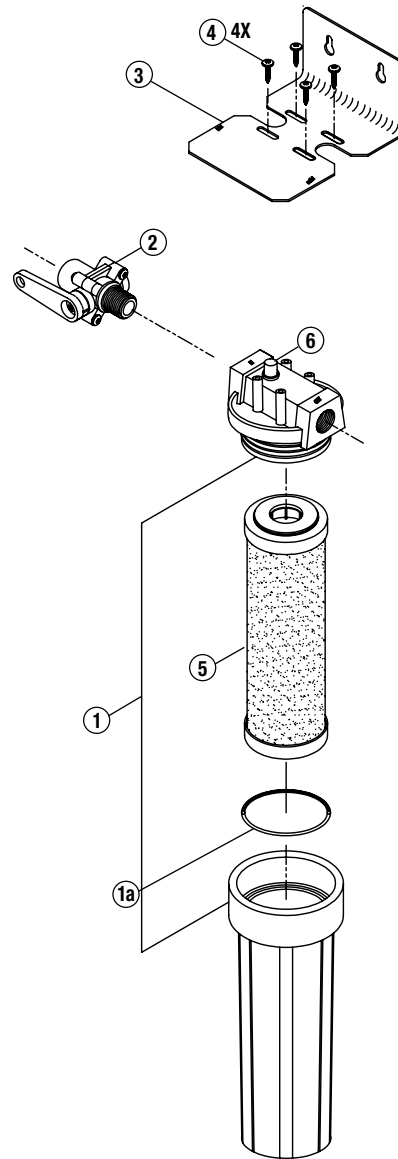
### Procedimiento para el cambio de los cartuchos de filtro

**IMPORTANTE:** Determine si todos los equipos conectados al sistema OneFlow® deben apagarse antes de cortar el suministro de agua de los filtros.

1. Si se necesita, apague el equipo.
2. CORTE el agua al sistema OneFlow® cerrando la válvula esférica de entrada.
3. Presione el botón rojo para liberar la presión.
4. Extraiga el (los) armazón (armazones) - use la llave para filtros si es necesario.
5. Limpie el interior de los sumideros del armazón con agua tibia. Si se desea, desinfecte el armazón usando una medida de 4,9 ml (1 cucharadita de té) de cloro para lavar. Añada al tazón del filtro y agregue agua. Deje reposar durante 5 minutos y deseche.
6. Inserte el nuevo cartucho en el armazón del filtro. El número de modelo del cartucho debe corresponder al número de modelo en el soporte.
7. Asegúrese de que la junta tórica esté colocada adecuadamente y vuelva a instalar el armazón del filtro (apretando con la mano solamente). Compruebe que no haya daños en la junta tórica y reemplácela si está dañada o su forma ha cambiado.
8. Abra un poco la válvula esférica de entrada; presione el botón rojo de alivio de la presión para liberar el aire atrapado hasta que salga una pequeña cantidad de agua. Suelte el botón rojo y abra completamente la válvula esférica.
9. Abra la válvula de purga en tubería descendente desde el armazón del filtro (si viene con el sistema) y purgue el nuevo cartucho al desagüe o a un balde durante dos (2) minutos o hasta que el agua salga limpia. Si no hay una válvula de purga, desconecte la tubería proveniente del equipo para purgar al desagüe.
10. **MUY IMPORTANTE:** Con la válvula de entrada del suministro de agua ABIERTA y el flujo de agua confirmado, encienda el equipo conectado. El no suministrar agua al equipo puede dar lugar a graves daños.
11. Registre el cambio de filtro en el registro de servicio.

## Repuestos para: OneFlow® OFTWH

N.º del plano	Descripción
1	Armazón, con botón de liberación de presión
1a	Junta tórica
2	Válvula, esférica hembra por macho de 19,05 mm (3/4 pulg.)
3	Soporte, armazón sencillo
4	Tornillo
5	Cartucho de repuesto OFTWHRM
6	Botón de liberación de presión



## Garantía limitada

- Se garantiza que el sistema de tanque OneFlow® está libre de fallas en el material y la mano de obra por un período de 5 años a partir de la fecha de envío original.
- Se garantiza que el medio OneFlow® funcionará durante 2 años a partir de la fecha de la instalación original, cuando haya sido montado y manejado de conformidad con las instrucciones del Manual de instalación y funcionamiento correspondiente.

Watts Regulator Company garantiza sus sistemas de cartucho OneFlow® de la manera siguiente:

- Se garantiza que el sistema de cartucho OneFlow® está libre de fallas en el material y la mano de obra por un período de un año a partir de la fecha de envío original.
- Se garantiza que los cartuchos OneFlow® funcionarán durante un año a partir de la fecha de la instalación original cuando hayan sido montados y manejados de conformidad con las instrucciones del Manual de instalación y funcionamiento correspondiente.
- Los cartuchos del filtro con repuestos de carbón no tienen garantía ya que su vida de servicio varía en gran medida según las condiciones locales del agua y el volumen.

## Condiciones

1. El sistema OneFlow® debe ser instalado en aplicaciones con agua suministrada municipalmente de acuerdo a los lineamientos de EPA.
2. Las fallas en los componentes no deben ser resultado de maltrato, incendio, congelación u otros actos de la naturaleza, violencia, o instalación inadecuada.
3. El equipo debe ser instalado y operado de conformidad con los códigos locales de plomería y con un suministro aprobado de agua.
4. El equipo está limitado al uso con presiones y temperaturas de agua que no excedan nuestras especificaciones publicadas.
5. El suministro de agua no debe exceder 2,0 PPM de cloro. El suministro de agua que exceda 2,0 PPM de cloro, requiere tratamiento previo. (Por favor, contacte a un especialista de tratamiento de agua).
6. Para cualquier reclamo relativo al equipo bajo garantía deberá suministrarse información que incluye el número de modelo, número de serie y fecha de instalación.
7. Las partes defectuosas están sujetas a inspección, bien sea por Watts Regulator Company o por cualquier representante autorizado, antes de hacerse un compromiso final de ajuste bajo la garantía.
8. Watts Regulator Company se reserva el derecho a hacer cambios o sustituciones en piezas o equipos con material de igual calidad o valor y de la producción de aquel momento.

## Limitaciones

Nuestra obligación bajo esta garantía con respecto al tanque o la válvula está limitada a ofrecer un repuesto, o a opción nuestra, reparar cualquier pieza o piezas a nuestra satisfacción, que presenten defectos dentro del periodo de garantía enunciado arriba. Dichos repuestos serán entregados al propietario F.O.B., de la fábrica más cercana, sin costo, excluidos el flete y los gastos locales de mano de obra, si los hubiere.

Nuestra obligación bajo esta garantía con respecto al medio OneFlow® está limitada a ofrecer un repuesto para el medio, en un lapso de dos años desde la fecha de instalación original. Dichos medios de repuesto serán entregados al propietario, F.O.B., de la fábrica más cercana, sin costo, excluidos el flete y los gastos locales de mano de obra, si los hubiere. Los daños a los medios ocasionados por el cloro, otros oxidantes o contaminantes causado por las condiciones locales del agua u otra operación fuera de los límites que figuran en las Especificaciones, no están cubiertos por esta garantía.

LA GARANTÍA AQUÍ DESCRITA SE OTORGA DE MANERA EXPRESA Y ES LA ÚNICA GARANTÍA OFRECIDA POR WATTS REGULATOR COMPANY CON RESPECTO AL PRODUCTO. WATTS REGULATOR COMPANY NO OFRECE NINGUNA OTRA GARANTÍA, YA SEA EXPRESA O IMPLÍCITA. POR EL PRESENTE, WATTS REGULATOR COMPANY DESCONOCE ESPECÍFICAMENTE TODA OTRA GARANTÍA, EXPRESA O IMPLÍCITA, INCLUIDAS, SIN LIMITARSE A, LAS GARANTÍAS IMPLÍCITAS DE COMERCIALIZACIÓN O APTITUD PARA UN FIN ESPECÍFICO.

El recurso descrito en esta garantía constituirá el recurso único y exclusivo para el incumplimiento de la garantía y Watts Regulator Company no será responsable por ningún daño incidental, especial ni indirecto, lo cual incluye, sin limitación alguna, fletes, manipulación, lucro cesante o el costo de reparar o cambiar otros bienes que se hayan dañado si este producto no funciona correctamente, otros costos resultantes de costos de mano de obra, retrasos, vandalismo, negligencia, contaminación ocasionada por materia extraña, daños por condiciones adversas de agua, químicos o cualquier otra circunstancia sobre la cual Watts Regulator Company no tenga control. Esta garantía quedará anulada por maltrato, uso indebido, mal uso o instalación incorrecta del producto.

Algunos estados no permiten limitaciones sobre la duración de las garantías implícitas y algunos estados no permiten la exclusión ni la limitación de daños incidentales o indirectos. Por lo tanto es posible que las limitaciones anteriores no correspondan en su caso. Esta garantía le proporciona derechos legales específicos, y usted también puede tener otros derechos que varían de un estado a otro. Deberá consultar las leyes estatales correspondientes para poder determinar sus derechos. SIEMPRE QUE SEA ACORDE CON LAS LEYES ESTATALES APLICABLES, LAS GARANTÍAS IMPLÍCITAS QUE NO PUEDAN DESCONOCERSE, INCLUIDAS LAS GARANTÍAS IMPLÍCITAS DE COMERCIALIZACIÓN O APTITUD PARA UN FIN ESPECÍFICO, ESTÁN LIMITADAS EN SU DURACIÓN A LOS PERIODOS CORRESPONDIENTES DE GARANTÍA ARRIBA ENUNCIADOS.

### ADVERTENCIA DE ACUERDO CON LA PROPOSICIÓN 65 DE CALIFORNIA

**ADVERTENCIA:** Este producto contiene químicos que el Estado de California considera que causan cáncer y defectos de nacimiento u otros daños durante la gestación.

(La ley del Estado de California requiere que se proporcione esta advertencia a los clientes de dicho estado.)

Para más información: [www.watts.com/prop65](http://www.watts.com/prop65)



Una compañía de Watts Water Technologies

EE.UU.: 815 Chestnut St., No. Andover, MA 01845-6098; [www.watts.com](http://www.watts.com)

Canadá: 5435 North Service Rd., Burlington, ONT. L7L 5H7; [www.wattscanada.ca](http://www.wattscanada.ca)

# Manuel d'installation, de fonctionnement et d'entretien

## OneFlow<sup>®</sup> Anti-Scale System

**Modèle OFTWH**  
**Système antitartre OneFlow<sup>®</sup>**  
**Prévention du tartre sans produits chimiques et sans sel**

### Introduction

Le système antitartre OneFlow<sup>®</sup> traitera l'eau du robinet de manière à offrir les caractéristiques optimales de l'eau pour des applications spécifiques. En conséquence, l'entretien de l'équipement sera réduit, sa durée de vie sera accrue et vos produits afficheront une qualité et une uniformité améliorées.

Le système OneFlow<sup>®</sup> est fabriqué à partir de matériaux de grande qualité et très évolués. De plus, avant l'expédition du système, la qualité de celui-ci est inspectée et une épreuve sous pression est effectuée sur l'appareil. Si le système est installé adéquatement et qu'un entretien de routine est réalisé, vous aurez un fonctionnement exempt d'incident pour des années à venir.

Veuillez consulter ce manuel au moment d'effectuer le remplacement périodique du filtre. Les directives accélèrent et facilitent l'entretien périodique et vous permettent ainsi de profiter au maximum de votre système.

### Caractéristiques techniques du système

**Pression maximale :** 620,1 kPa (90 psi)

**Température maximale :** 38 °C/100 °F

**Min. :** 2 °C/35 °F

**Raccords d'entrée et de sortie :** 19 mm (<sup>3</sup>/<sub>4</sub> po) (pas de tuyauterie femelle)

**Débit normal :** 1,9 lpm à 38 lpm (0,5 gpm à 10 gpm)

**Débit (litres) :** Modèle OFTWH : jusqu'à 22,7 lpm (6 gpm), 24 h/7 jours par semaine/365 jours par année pour une période de deux ans pour le modèle OFTWHRM.

**Capacité :** La cartouche du modèle OFTWHRM n'élimine pas les grains. Toutefois, les autres contaminants présents dans l'eau vont graduellement réduire l'efficacité de cette cartouche. Remplacez la cartouche du modèle OFTWHRM au moins tous les deux ans.



**WATTS<sup>®</sup>**



## Avis à l'installateur

- Ne jetez pas ce manuel après l'installation du système. Il renferme des renseignements importants sur l'utilisation et l'entretien du système ainsi que des mises en garde. Veuillez remettre ce manuel à l'utilisateur/opérateur/propriétaire du système après l'installation de celui-ci.
- Nous vous encourageons fortement à lire le présent manuel avant d'installer le système pour assurer une installation optimale de ce dernier.
- L'installation doit être conforme aux Codes de plomberie et réglementations locaux et de l'État.
- Raccorder le système uniquement à la prise d'eau froide. La température de l'eau ne doit pas excéder 38 °C/100 °F.



- Le système **doit être** installé de niveau, droit et à la verticale.
- Il **ne faut pas** utiliser de polyphosphate ni tout autre antitartre avec les systèmes OneFlow®.
- Désinfectez adéquatement l'eau présentant un risque microbiologique ou de qualité inconnue avant ou après le traitement par le système.
- Avis à l'intention de l'utilisateur/opérateur/propriétaire : Veuillez conserver ce manuel pour consultation ultérieure sur les pièces, l'entretien ou le dépannage.
- Nous recommandons la lecture des sections de ce manuel portant sur les précautions, l'utilisation et l'entretien du système au personnel responsable de l'utilisation et de l'entretien de ce produit.



## Précautions en matière d'installation!

- **NE** raccordez **PAS** le système à une conduite dont la pression est supérieure à 620,1 kPa (90 psi).
- **NE** raccordez **PAS** le système à une conduite d'alimentation en eau CHAUDE. Négliger de respecter la limite de température à 38 °C (100 °F) peut entraîner une défectuosité du boîtier et des dommages à celui-ci.
- **N'**installez **PAS** le système de manière à ce qu'il soit dos à la conduite d'arrivée d'eau reliée à la sortie du système.
- **N'**utilisez **PAS** de mastic liquide pour joints de tubes. APPLIQUEZ plutôt deux ou trois couches de ruban Teflon®.
- **NE** soudez **PAS** les raccords de plomberie fixés au boîtier du filtre ou au robinet d'admission. Le robinet d'admission et le boîtier du filtre seraient endommagés par une température élevée.
- **NE** laissez **PAS** le système geler. Coupez l'alimentation en eau de la conduite reliée au boîtier et purger celui-ci si la température chute sous 0 °C (32 °F).
- **N'**installez **PAS** le système à la lumière directe du soleil, ne l'exposez pas à des produits chimiques durs ni à de l'équipement mobile, des chariots, des vadrouilles ou à tout autre élément pouvant le heurter et causer des dommages à celui-ci.
- **LAISSEZ** un jeu minimum de 76 mm (3 po) sous le boîtier afin de permettre le remplacement du filtre.
- **EN PRÉSENCE DE** coup de bélier, installez un antibélier en amont du système OneFlow®.
- **NE** serrez **PAS** outre mesure les raccords du robinet d'admission et de la sortie du boîtier.
- Bloquez toujours les robinets et raccords au moyen d'une clé au moment d'installer un raccord pour éviter de faire tourner le robinet.
- **N'**installez **PAS** le système derrière de l'équipement rendant l'accès au système difficile pour remplacer le filtre.

Placez le système OneFlow® dans un endroit approprié. Le débit d'eau circulant dans le système OneFlow® passe toujours d'abord par l'entrée du système; considérez ce facteur au moment de déterminer le lieu d'installation. **NE** montez **PAS** le système OneFlow® près de toute source de chaleur. Ne montez pas non plus le système au-dessus de tout dispositif ou endroit pouvant présenter des effets indésirables en cas de contact avec l'eau.

## Installation

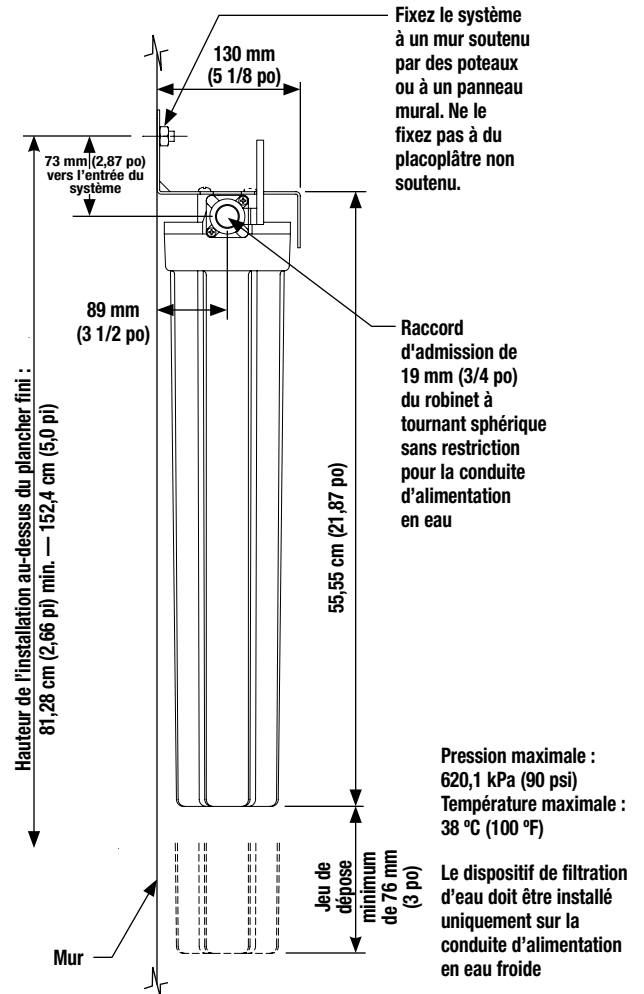
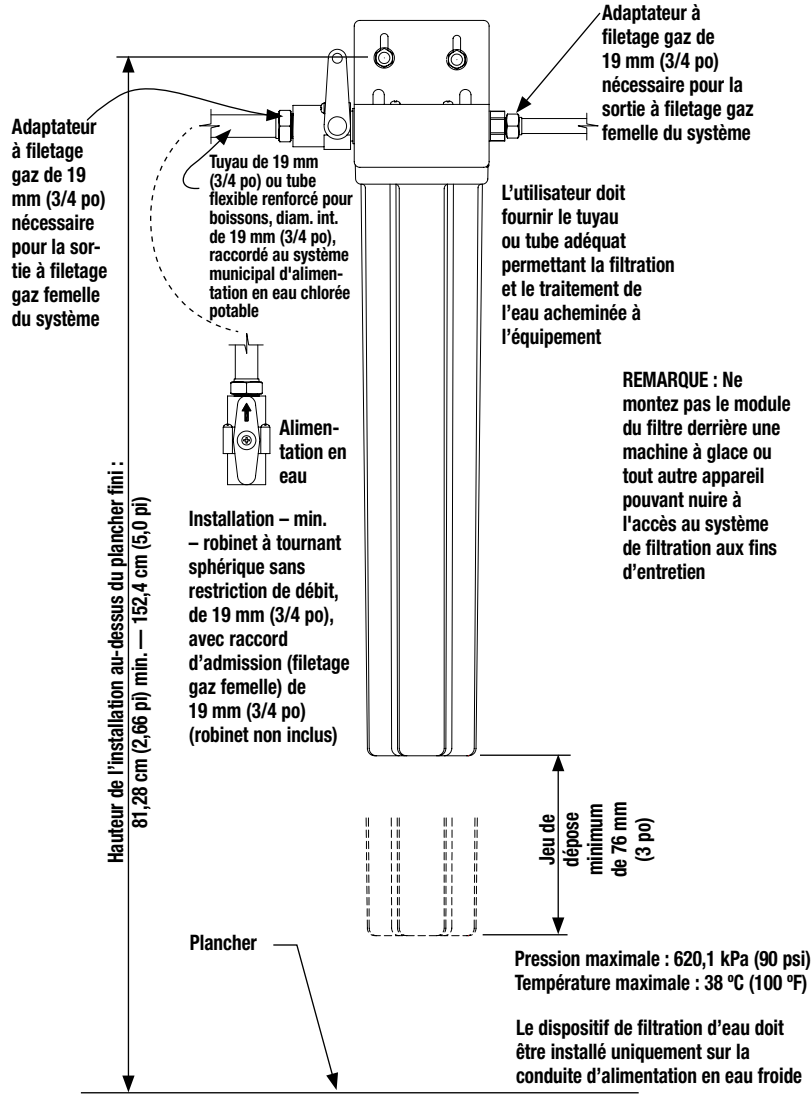
1. Mettez hors tension l'équipement devant être alimenté par le système OneFlow®, repérez le robinet d'arrêt de l'alimentation en eau, puis FERMEZ-le.
2. Déterminez si la conduite d'alimentation en eau comporte un système de traitement d'eau. Si c'est le cas, examinez le système pour voir s'il y a une utilisation de polyphosphate ou d'autres antitartres. Le système OneFlow® ne sera pas efficace s'il est utilisé conjointement avec d'autres antitartres. Retirez les antitartres de la conduite d'alimentation en eau ou n'installez pas le système.
3. Installez un robinet à tournant sphérique sans restriction de débit, de 19 mm (3/4 po), sur le côté d'alimentation en eau qui alimentera le système d'eau.
4. Ancrez le système OneFlow® à un poteau mural ou à un matériau de montage adéquat couvrant des poteaux muraux. Le système doit être droit et à la verticale.
5. Raccordez une conduite appropriée du robinet à tournant sphérique sans restriction de débit, de 19 mm (3/4 po), situé à la prise d'eau du robinet, au robinet d'admission à tournant sphérique situé sur le côté gauche du système OneFlow®. Appliquez deux ou trois couches de ruban Teflon® sur le robinet d'admission à tournant sphérique, puis serrez le robinet, situé sur le système, au moyen d'une clé au moment de raccorder la conduite d'arrivée d'eau. **REMARQUE** : NE SERREZ PAS OUTRE MESURE LE RACCORD DANS LE ROBINET À TOURNANT SPHÉRIQUE.
6. Sélectionnez le tube de calibre adéquat pour l'équipement devant être alimenté et raccordez-le à la sortie du système OneFlow®. **REMARQUE** : NE raccordez **PAS** le tube à l'équipement à ce moment-ci. Avant de procéder au raccordement de l'équipement,

cette conduite sera utilisée pour faciliter le rinçage du système. Il est aussi possible d'installer un robinet de vidange, logé dans un T, sur le côté sortie du système OneFlow® pour faciliter le rinçage au moment de remplacer les filtres.

7. Le robinet d'admission du système OneFlow® étant fermé, ouvrez lentement le robinet à tournant sphérique sans restriction de débit, de 19 mm (3/4 po), à la prise d'eau du robinet. Vérifiez s'il y a des fuites.
8. Si aucun robinet de vidange n'a été installé sur le côté sortie du système, mettez le tube qui sera raccordé à l'équipement dans un seau propre, l'évier ou un drain. Ouvrez le robinet d'admission du système et laissez l'eau y pénétrer durant deux minutes, au débit précisé pour le système afin de faire sortir les bulles d'air. **REMARQUE** : AUCUNE ACTIVATION N'EST REQUISE POUR ASSURER LE BON FONCTIONNEMENT DU SYSTÈME OneFlow®. LE RINÇAGE EST RECOMMANDÉ POUR FAIRE SORTIR L'AIR DU SYSTÈME.
9. Assurez-vous que l'extrémité du tube devant être raccordé à l'équipement est propre et hygiénique.
10. Raccordez le tube à l'équipement. Ouvrez les robinets d'alimentation en eau et vérifiez s'il y a des fuites.
11. En l'absence de fuite, mettez l'équipement sous tension et assurez-vous de son fonctionnement normal.
12. Attachez le journal d'entretien au système OneFlow® installé, puis inscrivez la date d'installation.

Teflon® est une marque déposée de E.I. Dupont de Nemours & Company.

# Dessins et dimensions relatifs à l'installation



# Fonctionnement

Lorsque la pression est suffisante, le système OneFlow® de Watts fonctionne automatiquement. Pour obtenir un fonctionnement fiable, il suffit de remplacer périodiquement le filtre et de lire la documentation sur l'entretien.

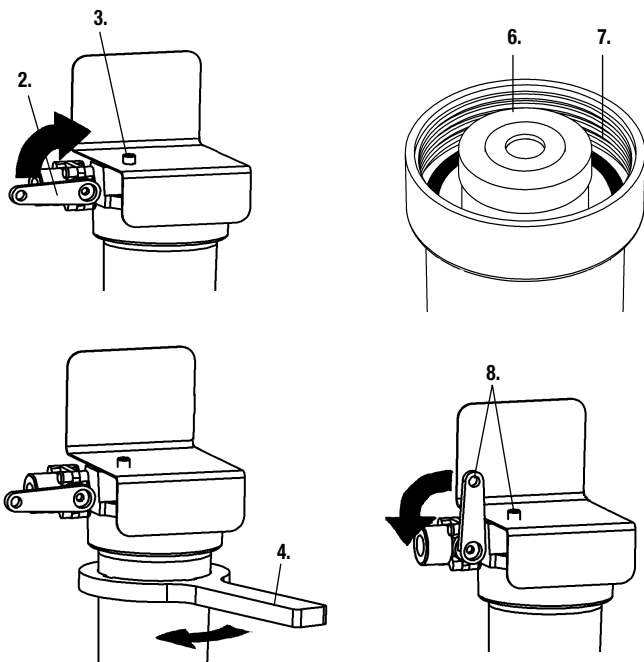
## Entretien

L'entretien périodique du système OneFlow® comprend le remplacement périodique de la cartouche du filtre et/ou le remplacement des joints toriques de puisard. Si les recommandations sur le calibrage du système ont été suivies, la cartouche OneFlow® devrait durer deux ans.

### Fréquence de remplacement du filtre

Le filtre doit être remplacé si la condition suivante se présente.

**OFTWH-RM • 24 mois** suivant l'installation ou le dernier remplacement du filtre.



## Cartouches de rechange pour filtres

Seules les cartouches de filtres OneFlow® peuvent être utilisées avec les systèmes OneFlow®. L'utilisation de cartouches de rechange autres que celles précisées annule les garanties et certifications et peut compromettre la protection de l'équipement, la qualité de l'eau et la durée de vie de l'équipement.

### Procédure de remplacement de la cartouche de filtre

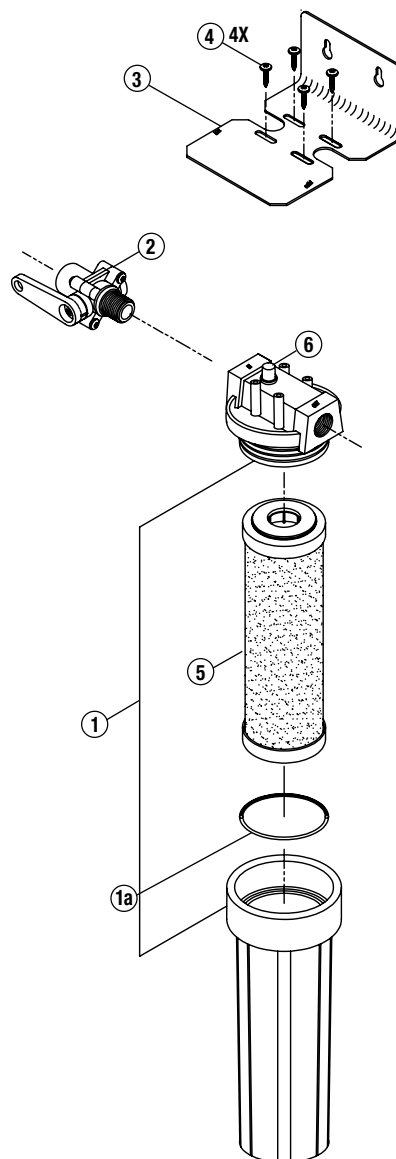
**IMPORTANT :** Déterminez si l'équipement raccordé au système OneFlow® doit être mis hors tension avant de couper l'alimentation en eau en provenance des filtres.

1. Mettez hors tension l'équipement si nécessaire.
2. Coupez l'eau circulant vers le système OneFlow® en fermant le robinet à tournant sphérique d'admission.
3. Appuyez sur le bouton rouge pour libérer la pression.
4. Retirez le boîtier – utilisez la clé du filtre au besoin.
5. Nettoyez l'intérieur du puisard du boîtier à l'eau chaude. Si vous le souhaitez, désinfectez le boîtier en utilisant une cuillère à thé d'eau de Javel. Ajoutez au réservoir du filtre, puis ajoutez de l'eau. Laissez reposer cinq minutes et jetez.
6. Insérez la cartouche neuve dans le boîtier du filtre. Assurez-vous que le numéro de modèle de la cartouche correspond au numéro de modèle figurant sur le support.
7. Assurez-vous que le joint torique est bien placé, puis réinstallez le boîtier du filtre (serrez manuellement seulement). Vérifiez l'état du joint torique et remplacez-le s'il est endommagé ou déformé.
8. Ouvrez légèrement le robinet à tournant sphérique d'admission; appuyez sur le bouton rouge limiteur de pression pour libérer l'air emprisonné jusqu'à ce qu'une petite quantité d'eau sorte, puis relâchez le bouton et ouvrez entièrement le robinet.
9. Ouvrez le robinet de vidange en aval du boîtier du filtre (le cas échéant), puis rincez la cartouche neuve dans le drain ou un seau durant deux (2) minutes ou jusqu'à ce que l'eau soit limpide. En l'absence d'un robinet de vidange, retirez le tube de l'équipement pour vidanger dans le drain.
10. **TRÈS IMPORTANT :** Le robinet d'admission de l'alimentation en eau étant OUVERT et ayant un débit d'eau confirmé, mettez sous tension l'équipement relié. Tout manque d'alimentation en eau à l'équipement risque de causer des dommages importants.
11. Consignez le remplacement du filtre dans le journal d'entretien.



Pièces de rechange pour : Modèle OFTWH OneFlow®

N° d'identification du dessin	Description
1	Boîtier, avec bouton limiteur de pression
1a	Joint torique
2	Robinet à tournant sphérique à raccordement femelle-mâle, de 19 mm (3/4 po)
3	Support, boîtier unique
4	Vis
5	Cartouche de rechange pour le modèle OFTWHRM
6	Bouton limiteur de pression



## Garantie limitée

- Le système à réservoir OneFlow® est garanti être exempt de vice de matériau et de fabrication pour une période de cinq (5) ans à compter de la date d'expédition d'origine.
- Le rendement du système OneFlow® est garanti pour une période de deux (2) ans à compter de la date d'installation d'origine si le système a été installé et utilisé conformément aux directives figurant dans le manuel d'installation et d'utilisation du système.

Watts Regulator Company garantit ses cartouches OneFlow® comme suit :

- La cartouche OneFlow® est garantie être exempte de vice de matériau et de fabrication pour une période de un (1) an à compter de la date d'expédition d'origine.
- Le rendement des cartouches OneFlow® est garanti pour une période de un (1) an à compter de la date d'installation d'origine si la cartouche a été installée et utilisée conformément aux directives figurant dans le manuel d'installation et d'utilisation correspondant aux cartouches.
- Le rendement des cartouches de filtres au charbon de rechange n'est garanti pour aucune période parce que la durée de vie des cartouches de rechange varie largement selon les conditions et le volume de l'eau utilisée.

## Conditions

1. Le système OneFlow® doit être installé dans des applications raccordées à un système municipal d'alimentation en eau potable respectant les directives de l'EPA.
2. Toute défectuosité d'un composant ne doit pas découler d'un abus, d'un incendie, d'un gel ou d'autres cas de force majeure, de violence ou d'une installation inadéquate.
3. L'équipement doit être installé et utilisé conformément au Code de plomberie local et être raccordé à un système d'alimentation en eau approuvé.
4. L'équipement doit être utilisé uniquement aux pressions et aux températures d'eau qui n'excèdent pas les caractéristiques techniques précisées dans ce manuel.
5. La teneur en chlore dans l'alimentation en eau ne doit pas dépasser 2,0 ppm. Dans le cas où la teneur en chlore excède 2,0 ppm, l'eau doit être préalablement traitée. (Veuillez communiquer avec votre spécialiste en traitement de l'eau.)
6. Pour toute réclamation concernant l'équipement couvert par la garantie, vous devez fournir les renseignements suivants : numéro de modèle, numéro de série et date d'installation.
7. Les pièces défectueuses feront l'objet d'une inspection soit par Watts Regulator Company ou l'un de ses représentants autorisés avant un engagement final à procéder à tout service couvert par la garantie.
8. Watts Regulator Company se réserve le droit de modifier des pièces ou l'équipement ou de les substituer par des pièces ou équipement de qualité ou valeur égales de la série en cours à ce moment-là.

## Restrictions

Notre obligation au titre de cette garantie relativement au réservoir ou au robinet se limite à remplacer ou, à notre gré, à réparer toute(s) pièce(s) de manière satisfaisante qui s'avère(nt) défectueuse(s) pendant la période de garantie précisée précédemment. La ou les pièces de rechange seront livrées FOB à l'usine la plus près du propriétaire, sans frais, à l'exclusion du fret et des frais de port local, le cas échéant.

Au titre de cette garantie, relativement au média OneFlow®, notre obligation se limite à remplacer le système pour une période de deux (2) ans à compter de la date d'installation d'origine. Le média de rechange sera livré FOB à l'usine la plus près du propriétaire sans frais, à l'exclusion du fret et des frais de port local, le cas échéant. Les dommages causés au média par le chlore, d'autres oxydants ou un engorgement dû aux conditions locales de l'eau ou par toute opération ne respectant pas les limites figurant à la rubrique Caractéristiques techniques ne sont pas couverts par cette garantie.

LA PRÉSENTE GARANTIE EXPRESSE EST LA SEULE ET UNIQUE GARANTIE, RELATIVE AU PRODUIT, FOURNIE PAR WATTS REGULATOR COMPANY. WATTS REGULATOR COMPANY NE FORMULE AUCUNE AUTRE GARANTIE, EXPRESSE OU IMPLICITE. WATTS REGULATOR COMPANY DÉCLINE AUSSI SPÉCIFIQUEMENT PAR LA PRÉSENTE TOUTE AUTRE GARANTIE, EXPRESSE OU IMPLICITE, NOTAMMENT LES GARANTIES IMPLICITES DE QUALITÉ MARCHANDE ET D'APTITUDE À UN USAGE PARTICULIER.

Le recours précisé dans la présente garantie constitue le seul et unique recours à tout manquement à la garantie. Watts Regulator Company ne doit pas être tenue responsable de dommages spéciaux ou indirects, notamment : le fret, la manutention, le gain manqué ou le coût de réparation ou de remplacement d'autres biens endommagés si ce produit ne fonctionne pas correctement, d'autres coûts résultant de frais de main-d'œuvre, de retards, de vandalisme, de négligence, d'un engorgement causé par un corps étranger, de dommages causés par des conditions de l'eau défavorables, de produits chimiques, ou de toute autre circonstance indépendante de la volonté de Watts Regulator Company. Cette garantie est nulle et non avenue en cas d'abus, de mauvaise utilisation, d'application incorrecte ou d'installation inappropriée du produit.

Certains États ne permettent pas les restrictions sur la durée d'une garantie implicite, tandis que d'autres ne permettent pas l'exclusion ou la restriction des dommages indirects. Par conséquent, ces restrictions pourraient ne pas s'appliquer à votre cas. Cette garantie vous confère des droits légaux spécifiques; vous pourriez également avoir d'autres droits, lesquels varient d'un État à l'autre. Vous devez consulter les lois applicables de votre État pour déterminer vos droits. DANS LA MESURE DE SA COMPATIBILITÉ AVEC LA LOI EN VIGUEUR DANS VOTRE ÉTAT, LA DURÉE DE TOUTE GARANTIE IMPLICITE DEVANT ÊTRE ASSUMÉE, NOTAMMENT LES GARANTIES IMPLICITES DE QUALITÉ MARCHANDE ET D'APTITUDE À UN USAGE PARTICULIER, EST LIMITÉE À LA PÉRIODE DE LA GARANTIE APPLICABLE SUSMENTIONNÉE.

### AVERTISSEMENT SUR LA PROPOSITION 65 DE LA CALIFORNIE

**AVERTISSEMENT:** Ce produit contient des produits chimiques reconnus par l'état de Californie comme étant cancérigènes et pouvant causer des malformations congénitales et d'autres dommages au système reproducteur. (La loi californienne exige que cet avertissement soit fourni à tous les clients de l'état de la Californie.)

Pour obtenir plus d'informations: [www.watts.com/prop65](http://www.watts.com/prop65)





*Une entreprise de Watts Water Technologies*



**États-Unis :** 815 Chestnut St., No. Andover, MA 01845-6098; [www.watts.com](http://www.watts.com)

**Canada :** 5435 North Service Rd., Burlington, ONT. L7L 5H7; [www.wattscanada.ca](http://www.wattscanada.ca)