

MCB-30

Compact 40 Channel Mobile CB Radio

OWNER'S MANUAL
English/Spanish



maxon[®]

A World of Communications

TABLE OF CONTENTS

Product Description	1
FCC Regulations	1
Performance Features	2
Package Contents	3
Controls and Functions	3
Installation Instructions	5
Mechanical Mounting	6
Power Supply Connection	7
Mobile Antenna Information	8
Antenna Tuning Information	9
Operating Instructions	9
External Speaker Operation	10
Radio Communication Codes	11
CB Channel Frequency Chart	12
Troubleshooting Chart	13
Specifications	14
Other Maxon Products	15
Warranty Service Instructions	16
Warranty Statement	17

Before operating your Maxon Citizens Band Radio, read this Owner's Manual carefully. If you have a problem, refer to the "Troubleshooting" section of this manual before returning your radio for repairs.

TABLA DE CONTENIDO

Controles y Funciones	3
Descripción del Producto	18
Regulaciones de la FCC (Comisión Federal de Comunicaciones)	18
Características de Funcionamiento	19
Contenido del Paquete	20
Instrucciones Para Instalación	21
Montaje Mecánico	22
Conexión del Suministro Energético	23
Información Sobre la Antena Móvil	24
Información Para la Sintonización de la Antena	25
Instrucciones de Operación	25
Operación de los Altoparlantes Exteriores	26
Tabla de Frecuencia del Canal de CB (Banda Ciudadana)	27
Tabla de Localización y Reparación de Averías	28
Especificaciones	29
Otros Productos Maxon	30
Instrucciones Servicio de Garantía	31
Aclaración de la Garantía	32

Antes de hacer funcionar su radio de Banda Ciudadana de Maxon lea detenidamente este Manual del Propietario. Si tiene un problema, refiérase a la sección "Localización y Reparación de Averías" de este manual antes de devolver su radio para la reparación.

PRODUCT DESCRIPTION

*Thank you for choosing the
Maxon MCB-30 Mobile CB Radio.*

This compact CB is designed to be simple to operate, and will provide years of trouble-free service and enjoyment.

Variable controls let you adjust radio volume and squelch settings to your preference; push button channel selectors allow you to easily scroll through the 40 available CB channels.

A large scale display identifies your current channel selection - even in dim lighting.

The radio's front-mounted microphone allows installation of the MCB-30 almost anywhere in your car, van, truck or RV.

Enjoy your new Maxon CB!

YOU DO NOT NEED AN FCC LICENSE TO OPERATE THIS RADIO IN THE UNITED STATES. However, you must know and be familiar with Part 95 of the FCC Rules in regard to Subpart D of the Citizens Band Radio Service. (A copy is enclosed with the unit.)

PERFORMANCE FEATURES

- Maximum legal RF output power (4 W) with high level modulation (in accordance with FCC Part 95 Rules)
- Solid-state components for years of trouble-free operation
- LED Channel display and transmit indicator
- Channel up/down selector buttons
- Front-mounted microphone with 5-pin connector, push-to-talk bar and coiled cord
- Last channel memory recalls last channel displayed
- Phase Locked Loop synthesizer provides clear voice transmission and reception on all CB channels
- Built-in Automatic Noise Limiter (ANL) circuitry reduces atmospheric static noise
- Automatic RF gain control adjusts the receiving sensitivity of the radio
- Automatic modulation control eliminates peak and valley transmission signals
- Dual-conversion superheterodyne receiver
- Rugged metal case material
- Jacks for mobile antenna and optional external speaker (not included)
- One year warranty

PACKAGE CONTENTS

Main CB unit
Handheld microphone
CB Mounting bracket and hardware
Owner's manual
Copy of FCC Part 95, Subpart "D"

An external mobile antenna is required for use - antenna is not included. Refer to Mobile Antenna Information section for more information.

CONTROLS AND FUNCTIONS CONTROLES Y FUNCIONES

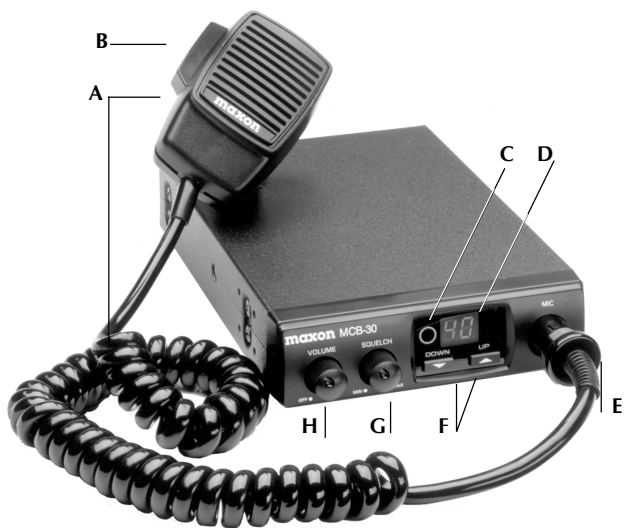
- A. **Microphone and Cord • Micrófono y Cable**
- B. **Push-To-Talk Bar** - Permits radio transmissions
 - **Barra "Presione Para Hablar" (P-T-T)** - Permite la transmisión por radio
- C. **TX LED** - Indicates the radio is transmitting
 - **TX LED** - Indica que el radio está transmitiendo
- D. **LED Channel Display** - Identifies CB channel
 - **LED Imagen de Canal** - Identifica el canal CB
- E. **Microphone Jack • Conector del Micrófono**
- F. **Channel Up/Down Buttons** - Selects any one of 40 channels available
 - **Botones de Subida y Bajada de Canales** - Selecciona cualquiera de los 40 canales disponibles
- G. **Squelch Control • Control Para Amortiguar Ruidos**
- H. **Off/On-Volume Control** - Used to turn the radio on or off and to adjust the listening volume
 - **Control de Volumen** - Se usa para encender o apagar el radio y para ajustar el volumen

Antenna Jack: Located on back panel, not shown

- **Conector Para Antena:** Situado en el panel trasero, no se ve

External Speaker Jack: Located on back panel, not shown

- **Conector Para Altoparlante Externo:** Situado en el panel trasero, no se ve

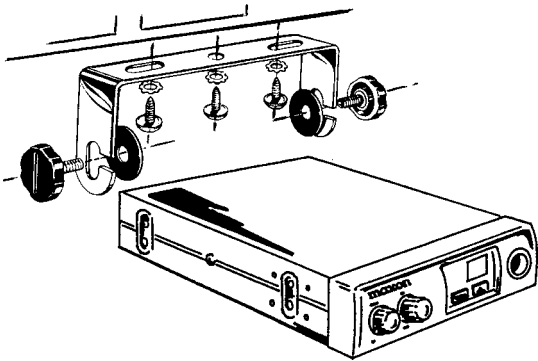


INSTALLATION INSTRUCTIONS

Your new MCB-30 is designed to be installed under the dash or anywhere inside your vehicle. It can be mounted horizontally or vertically. Safety and convenience should be your primary considerations in deciding exactly where to locate your Maxon MCB-30 CB Radio.

CAUTION: Be sure the unit is located where it will not interfere with the driver or impair access to any controls necessary for the safe driving of the vehicle. The radio's power or antenna connecting cables must be routed and secured in such a manner as not to interfere with the operation of the brake, accelerator or other controls. Interference from either the CB unit or it's connecting cables may contribute to the loss of control of the vehicle.

Installing the MCB-30:



Mechanical Mounting

- 1) Determine the mounting location of your MCB-30.
- 2) Use the CB cabinet mounting bracket as a template for marking the location of the screw holes when mounting the CB under the dash, or at another selected location.
- 3) Drill the necessary holes and secure the mounting bracket with the self-tapping screws provided.

CAUTION: EXTREME CARE SHOULD BE EXERCISED WHEN DRILLING UP INTO THE DASH to avoid any damage to in-dash electronic ignition wiring, cruise control, instruments or accessory wiring.

- 4) Position the CB unit between the mounting bracket arms (in line with the retention knobs). Set the CB unit angle for the best operating comfort and control accessibility. Tighten the two retention knobs to secure the CB unit in place.
- 5) Install the microphone hanger bracket utilizing the pre-drilled mounting holes in the MCB-30 cabinet, or attach the bracket to the vehicle dash or another convenient location.
- 6) If you choose to mount the CB in a location where self-tapping screws cannot be used, determine the most secure method of fastening the CB cabinet.

Power Supply Connection

The MCB-30 is designed for 12V DC operation in vehicles with **NEGATIVE (-) GROUND** electrical systems. Most domestic and foreign made cars and trucks use a negative ground system. **NOTE:** If your negative (-) battery terminal is connected to the motor block of your vehicle, it is a negative ground system.

CAUTION: Do not attempt to connect your MCB-30 to a POSITIVE (+) ground vehicle as damage may occur to the CB unit and/or to your vehicle's electrical system.

NOTE: Check your vehicle's ground requirements before you begin the installation!

Your MCB-30 should be connected using the following steps:

- 1) Move the off/on-volume control to the "off" position. **CAUTION: If the off/on-volume control is in the "on" position without an antenna hook-up, it could result in damage to the transmitter circuitry.**
- 2) Disconnect the cable from your vehicle battery's negative (-) terminal.
- 3) Connect the **black** GROUND wire to a metal part of your vehicle's frame.

NOTE: Be sure the metal part is not insulated from the vehicle's frame by a plastic part.

- 4) Connect the **red** (to switched accessory) wire to a source of voltage that turns on and off with

the ignition switch, such as a spare accessory terminal in your vehicle's fuse box.

- 5) Connect the **orange** (Batt +) wire to your vehicle's battery positive (+) terminal or to a point in the vehicle's fuse box that provides a continuous source of 12 Volts even when the ignition is turned off. This connection provides last channel memory feature.
- 6) Reconnect the cable to the vehicle's battery negative (-) terminal.

MOBILE ANTENNA INFORMATION

Your Maxon MCB-30 requires a vehicle mount CB antenna for operation. An antenna is not included with your MCB-30 because of varying vehicle applications, individual needs, and owner cost preferences.

You may use any standard 50 Ohm vehicle mount CB/weather antenna system with a PL-259 connector. Maxon antenna model WTA-4WP may be obtained from your local Maxon CB distributor/retailer.

NOTE: When installing a mobile antenna, please follow the antenna manufacturer's installation instructions completely. Never operate your CB radio without an antenna or with a broken antenna cable. This can result in damage to your CB transmitter circuitry.

- Connect the antenna securely to the unit's antenna receptacle

- Mount the antenna as high on the vehicle as possible - the more the antenna extends above the roof, the better the reception
- If possible, mount the antenna in the center of the surface you have chosen
- Keep the antenna cables away from noise sources such as the ignition system, gauges, etc.
- Make sure you have a solid, metal-to-metal ground

ANTENNA TUNING INFORMATION

Most antennas are factory tuned, but performance can usually be improved by slightly lengthening or shortening the antenna using a Standing Wave Ratio (SWR) meter (not included). Refer to the antenna manufacturer's installation manual for the exact procedure to tune the antenna. You can purchase an SWR meter, or have your antenna checked by your CB Dealer's service department.

OPERATING INSTRUCTIONS

Once you have properly wired your new CB and connected the antenna, you are now ready to adjust your radio for optimum reception and voice transmission.

For proper operation, the radio's microphone must be connected to the unit. Insert the microphone plug into the microphone jack (MIC). The plug has a spring loaded locking pin. When inserting the plug into the jack, push inward until pin is locked into place. When removing, hold pin in and withdraw the plug.

- 1) Turn the off/on-volume control clockwise and adjust to a comfortable volume level.
- 2) Select the desired CB channel by pressing the ▲ button to scroll up or the ▼ button to scroll down.
- 3) Adjust the squelch control knob to reduce any undesirable background noise when no signal is being received. To do this, select a channel where no signals are present, or wait until signals cease on your channel. Then, rotate the squelch control knob clockwise to a point where the background noise ceases.

NOTE: When the squelch is set properly, the speaker will remain quiet until a signal is received. In order to receive weak signals, do not set the squelch too high.

To Transmit: Press and hold the push-to-talk bar. Speak slowly and clearly in a normal voice, two to three inches from the microphone. When transmitting, the TX LED will glow red.

To Receive: Release the push-to-talk bar.

External Speaker Operation

To connect an optional external speaker, locate the external speaker jack on the rear of the unit and insert the speaker plug into the jack. The radio's internal speaker will be silenced when an external speaker is engaged.

RADIO COMMUNICATION CODES

Citizens Band radio operators have universally adopted the "10" Code for standard questions and answers. It enables them to communicate faster, easier and more understandably in noisy surroundings.

The following are some of the most common codes and their descriptions.

When using the code 10-1, you would say, "Ten one", not "One zero dash one".

Code	Description	Code	Description
10-1	Receiving poorly.	10-35	Confidential information.
10-2	Receiving well.	10-36	Correct time is _____.
10-3	Stop transmitting.	10-37	Wrecker needed at ____.
10-4	OK, message received.	10-38	Ambulance needed at ____.
10-5	Relay message.	10-39	Your message delivered.
10-6	Busy, stand by.	10-41	Please turn to channel ____.
10-7	Out of service; leaving the air.	10-42	Traffic accident at _____.
10-8	In service, subject to call.	10-43	Traffic tie-up at _____.
10-9	Repeat message.	10-44	I have a message for you.
10-10	Transmission completed, standing by.	10-45	All units within range report.
10-11	Talking too fast.	10-50	Break channel.
10-12	Visitors present.	10-60	What is next message number?
10-13	Advise weather/road conditions.	10-62	Unable to copy; use phone.
10-16	Make pickup at _____.	10-63	Network directed to.
10-17	Urgent business.	10-64	Network clear.
10-18	Anything for us?	10-65	Awaiting your next message/assignment.
10-19	Nothing for you; return to base.	10-67	All units comply.
10-20	My location is _____.	10-70	Fire at _____.
10-21	Call by telephone.	10-71	Proceed with transmission in sequence.
10-22	Report in person to ____.	10-77	Negative contact.
10-23	Stand by.	10-81	Reserve hotel room at ____.
10-24	Completed last assignment.	10-82	Reserve room for _____.
10-25	Can you contact?	10-84	My telephone number is ____.
10-26	Disregard last information.	10-85	My address is _____.
10-27	I am moving to channel ____.	10-91	Talk closer to microphone.
10-28	Identify your station.	10-93	Check my frequency on this channel.
10-29	Time is up for contact.	10-94	Please give me a long count.
10-30	Does not conform to FCC rules.	10-99	Mission completed; all units secure.
10-32	I will give you a radio check.	10-200	Police needed at _____.
10-33	Emergency traffic.		
10-34	Trouble at this station.		

CB CHANNEL FREQUENCY CHART

Channel:	1	26.965 MHz	
	2	26.975 MHz	
	3	26.985 MHz	
	4	27.005 MHz	
	5	27.015 MHz	
	6	27.025 MHz	
	7	27.035 MHz	
	8	27.055 MHz	
	9	27.065 MHz	Emergency Channel
	10	27.075 MHz	
	11	27.085 MHz	
	12	27.105 MHz	
	13	27.115 MHz	
	14	27.125 MHz	
	15	27.135 MHz	
	16	27.155 MHz	
	17	27.165 MHz	
	18	27.175 MHz	
	19	27.185 MHz	Highway Channel
	20	27.205 MHz	
	21	27.215 MHz	
	22	27.225 MHz	
	23	27.255 MHz	
	24	27.235 MHz	
	25	27.245 MHz	
	26	27.265 MHz	
	27	27.275 MHz	
	28	27.285 MHz	
	29	27.295 MHz	
	30	27.305 MHz	
	31	27.315 MHz	
	32	27.325 MHz	
	33	27.335 MHz	
	34	27.345 MHz	
	35	27.355 MHz	
	36	27.365 MHz	
	37	27.375 MHz	
	38	27.385 MHz	
	39	27.395 MHz	
	40	27.405 MHz	

TROUBLESHOOTING CHART

This mobile Citizens Band radio has been manufactured in accordance with Maxon's exacting quality control standards.

It should be handled with reasonable care. Avoid exposing it to dirt or moisture.

If you experience problems, please refer to this Troubleshooting Chart.

POSSIBLE SOLUTIONS:

	Check power cable connection	Check fuses (in-line and main junction block)	Check squelch adjustment	Check power off/on-volume control	Change to active channel	Check antenna connection	Fully depress push-to-talk bar when speaking	Check microphone connection
No sound or LED lights	●	●		●				
LED illuminated, but no sound			●			●		●
No voice reception			●		●	●		●
Poor reception						●		
Unclear reception						●		
Transmission problems						●	●	●

POSSIBLE PROBLEMS:

	Check power cable connection	Check fuses (in-line and main junction block)	Check squelch adjustment	Check power off/on-volume control	Change to active channel	Check antenna connection	Fully depress push-to-talk bar when speaking	Check microphone connection
No sound or LED lights	●	●		●				
LED illuminated, but no sound			●			●		●
No voice reception			●		●	●		●
Poor reception						●		
Unclear reception						●		
Transmission problems						●	●	●

WARNING: DO NOT ATTEMPT TO MAKE ANY INTERNAL ADJUSTMENTS. Internal adjustments and/or modifications can lead to illegal operation as defined by FCC Rules and Regulations, Part 95. They must be made only by qualified technical personnel. Illegal operation can result in serious consequences.

CAUTION: The fuse included with this unit is an important safety feature which must **not** be circumvented. **Removal of this fuse or the use of a fuse rated higher than supplied may result in overheating and/or fire and consequential damage to the unit or vehicle.** If a replacement fuse burns out, have the unit inspected and repaired by a qualified service technician.

SPECIFICATIONS

GENERAL

CB Channels:	40
Frequency Range:	26.965 to 27.405 MHz
Frequency Control:	Phase Locked Loop (P-L-L) synthesizer
Operating Temperature Range:	-22° F to +122° F
Channel Display:	Light Emitting Diode (LED)
Input Voltage:	13.8V DC nominal, negative ground
DC Input Power:	5 W
Dimensions:	4-1/2" W x 6-1/4" D x 1-1/4" H
Weight:	1-3/4 lbs.
External Speaker (optional):	5 W input @ 8 Ohms with 3.5 mm plug

RECEIVER

Receiving System:	AM Dual conversion superheterodyne
Intermediate Frequency:	1st IF: 10.695 MHz 2nd IF: 455 MHz
Audio Output Power:	4 W

TRANSMITTER

RF Output Power:	4 W (Maximum FCC allowable)
------------------	-----------------------------

Specifications are subject to change without notice.

OTHER MAXON PRODUCTS

Maxon manufactures a full line of personal electronic products, including handheld and mobile CB radios, 49 MHz personal communicators, Family Radio Service radios, GMRS/DOT two-way radios, CDMA, GSM and AMPS cellular handsets, weather monitors and a variety of optional accessory items. Look for **Maxon** brand products in quality retail stores nationwide.

WTA-4WP

Magnetic mount mobile
CB/weather antenna

FRS-114

Palm sized two-way radio
operates on one of 14
license-free channels

49-FX

Unique belt worn two-way
communicator offers ear
speaker/microphone for
hands-free conversations

WARRANTY SERVICE INSTRUCTIONS

- 1) Refer to the Operating Instructions section of this Owner's Manual for proper operation and adjustments.
- 2) Refer to the basic Troubleshooting Chart for possible solutions.
- 3) If the problem cannot be corrected by reference to this Owner's Manual, return the product with proof of purchase (a sales receipt) to the place of purchase, or call Maxon's Customer Service Department for assistance, 1-800-821-7848, Ext. 499.

FOR YOUR RECORDS

Purchase Date:

Purchased From:

Serial Number:

**KEEP THIS INFORMATION
IN A SAFE PLACE.**

LIMITED WARRANTY

The Consumer Products Division of Maxon America, Inc., (hereinafter referred to as "Maxon"), warrants that its Products and their included accessories will be free from defects in workmanship or materials under normal use for a period of one (1) year from date of purchase by the original end user, provided that the buyer has complied with the requirements stated herein.

If the Product fails to function under normal use because of manufacturing defect(s) or workmanship during the one (1) year period following the date of purchase, it will be replaced or repaired at Maxon's option at no charge when returned to the place of purchase. The defective unit must be accompanied by proof of the date of purchase in the form of a sales receipt.

Maxon's sole obligation hereunder shall be to replace or repair the product covered in this Warranty. Replacement, at Maxon's option, may include a similar or higher-featured product. Repair may include the replacement of parts or boards with functionally equivalent reconditioned or new parts or boards. Replaced parts, accessories, batteries or boards are warranted for the balance of the original time period. All replaced parts, accessories, batteries or boards become the property of Maxon America, Inc.

Maxon shall have no obligation to make repairs or to cause replacement required which result from normal wear and tear or is necessitated in whole or in part by catastrophe, the fault or negligence of the user, improper or unauthorized alterations, repairs to the Product, incorrect wiring, use of the Product in a manner for which it was not designed, or by causes external to the Product. This warranty is void if the serial number is altered, defaced or removed.

The purchaser shall provide for removal of the defective Product and installation of its replacement.

THE EXPRESS WARRANTIES CONTAINED HEREIN ARE IN LIEU OF ALL OTHER WARRANTIES, EITHER EXPRESSED OR IMPLIED OR STATUTORY, INCLUDING, WITHOUT LIMITATION, ANY WARRANTY OF MERCHANTABILITY OR FITNESS FOR A PARTICULAR PURPOSE.

FOR ANY PRODUCT WHICH DOES NOT COMPLY WITH THE WARRANTY SPECIFIED, THE SOLE REMEDY WILL BE REPAIR OR REPLACEMENT. IN NO EVENT WILL MAXON AMERICA, INC. BE LIABLE TO THE BUYER OR ITS CUSTOMERS FOR ANY DAMAGES, INCLUDING ANY SPECIAL, INCIDENTAL, INDIRECT OR CONSEQUENTIAL DAMAGES, OR THE LOSS OF PROFIT, REVENUE OR DATA ARISING OUT OF THE USE OF OR THE INABILITY TO USE THE PRODUCT.

This warranty is void for sales and deliveries outside of the U.S.A.

DESCRIPCIÓN DEL PRODUCTO

Gracias por escoger el radio CB móvil Maxon MCB-30.

Este CB compacto, está diseñado para hacer sencilla su operación y proporcionar años de disfrute y servicio libre de problemas.

Los controles variables le permiten ajustar el volumen del radio y el amortiguamiento de ruidos según su preferencia; los botones pulsadores para la selección de canales le permiten recorrer fácilmente los 40 canales disponibles en la CB (banda ciudadana).

Una imagen grande identifica su selección de canal - aunque la luz sea escasa.

El montaje del micrófono en la parte delantera del radio, permite la instalación del MCB-30, prácticamente en cualquier lugar del automóvil, furgoneta, camioneta o vehículo de recreo.

¡ Disfrute su nuevo Maxon CB !

NO NECESITA UNA LICENCIA DE LA FCC PARA HACER FUNCIONAR ESTE RADIO EN LOS ESTADOS UNIDOS. Sin embargo, debe conocer y estar familiarizado con la Parte 95 de las Reglas de la FCC en relación con la Subparte D del Servicio de Radio de Banda Ciudadana. (Con la unidad se anexa una copia).

CARACTERÍSTICAS DE FUNCIONAMIENTO

- Potencia de salida de Frecuencia de Radio máxima legal (4 W) con modulación de alto nivel (en conformidad con la Parte 95 de las Reglas de la FCC)
- Componentes del estado sólido brindarán años de operación sin problemas
- Imágenes de canales e indicador de transmisión en LED
- Botones para la selección de canales hacia arriba/hacia abajo
- Micrófono instalado en la parte delantera con conector de 5 espigas, barra de empuje para hablar y cable en espiral
- Memoria de último canal recuerda último canal mostrado
- Sintetizador con circuito de sincronización de fase proporciona la clara transmisión y recepción de la voz en todos los canales CB
- La circuitería incorporada del limitador automático de ruidos (ANL) reduce el ruido de la estática atmosférica
- Control automático de ganancia de RF ajusta la sensibilidad de recepción del radio
- Control automático de modulación elimina señales de transmisión de "pico" y "valle"
- Receptor superheterodino de doble conversión
- Robusta caja metálica
- Opciones de conectores para antena móvil y altoparlantes externos (no incluidos)
- Un año de garantía

CONTENIDO DEL PAQUETE

Unidad principal CB

Micrófono manual

Marco de montaje y herrajes para el CB

Manual del dueño

Copia de la Parte 95 de la FCC, Subparte "D"

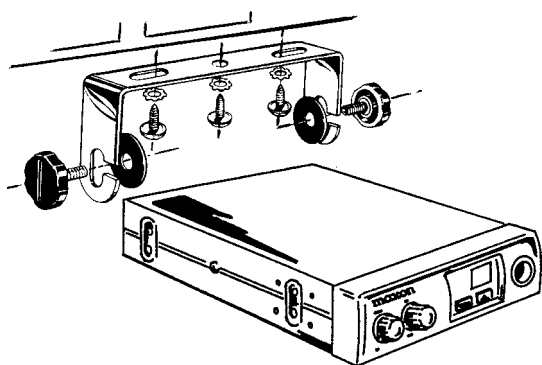
Para usarlo, se requiere una antena móvil exterior - la antena no está incluida. Para mayor información, refiérase a la sección de Información Sobre la Antena Móvil.

INSTRUCCIONES PARA INSTALACIÓN

Su nuevo MCB-30 está diseñado para instalarse debajo del tablero o en cualquier lugar dentro de su vehículo. Se puede instalar horizontal o verticalmente. La seguridad y conveniencia deben ser sus principales consideraciones para decidir exactamente el lugar donde situar su Maxon MCB-30 Radio CB.

PRECAUCIÓN: Cerciórese que la unidad quede situada donde no interfiera con el conductor o estorbe el acceso a cualquier control necesario para conducir el vehículo con toda seguridad. Los cables de la energía eléctrica para el radio o el cable conector de la antena, deben ser encauzados y asegurados de tal forma que no interfieran con la operación del freno, acelerador u otros controles. La interferencia por parte de la unidad CB o sus cables conectores, podrían contribuir a la pérdida del control del vehículo.

Forma de instalar el MCB-30:



Montaje Mecánico

- 1) Determine la ubicación de montaje de su MCB-30.
- 2) Use el soporte de montaje del gabinete del CB como patrón para marcar la ubicación de los agujeros para tornillos al montar el CB debajo del tablero, o en cualquier otro lugar seleccionado.
- 3) Taladre los agujeros necesarios y asegure el soporte de montaje con los tornillos roscadores que se suministran.

PRECAUCIÓN: SE DEBERÁ TENER CUIDADO ESPECIAL AL TALADRAR EL TABLERO para evitar dañar cualquier componente y alambrado del encendido electrónico detrás del tablero, el control de travesía, instrumentos, o el alambrado de accesorios.

- 4) Coloque la unidad CB entre los brazos del soporte de montaje (en línea con los botones de retención). Sitúe el ángulo de la unidad CB para la mejor comodidad de operación y acceso a los controles. Apriete los dos botones de retención para asegurar en posición la unidad CB.
- 5) Instale el soporte de enganche del micrófono utilizando los agujeros previamente hechos en el gabinete del MCB-30, o coloque el soporte en el tablero del vehículo o en cualquier lugar conveniente.
- 6) Si usted selecciona un lugar para montar el CB donde no se pueden emplear los tornillos roscadores, determine cual será el método más seguro para colocar el gabinete del CB.

Conexión del Batería del Vehículo

El MCB-30 está diseñado para trabajar con 12V CD en vehículos con sistemas eléctricos de **NEGATIVO (-) A TIERRA**. La mayoría de los vehículos y camiones domésticos e importados, usan el sistema negativo a tierra. **NOTA:** Si el terminal negativo (-) de su batería está conectado al bloque del motor, su vehículo tiene un sistema negativo a tierra.

PRECAUCIÓN: No intente conectar su MCB-30 a un vehículo con sistema (+) POSITIVO a tierra puesto que podría dañar su unidad CB y/o el sistema eléctrico de su vehículo.

NOTA: Antes de comenzar la instalación, ¡ compruebe los requisitos de tierra de su vehículo !

Su MCB-30 deberá conectarse observando los pasos siguientes:

- 1) Compruebe que la radio CB esté apagada. **PRECAUCIÓN: Si el control off/on-volumen está en la posición on [encendido] sin un acoplamiento de antena, podría dañarse la circuitería del transmisor.**
- 2) Desconecte el cable del borne negativo (-) de la batería del vehículo.
- 3) Conecte el alambre **negro** de TIERRA a un componente metálico del chasis del vehículo.

NOTA: Verifique que el componente metálico no se encuentre aislado del chasis del vehículo por alguna pieza de plástico.

- 4) Conecte el alambre **rojo** (al alambre de alimentación conmutada para accesorios) a una

al girar la llave de contacto del vehículo, tal como un borne para accesorios no utilizado en la caja de fusibles del vehículo.

- 5) Conecte el alambre **anaranjado** (BAT +) al borne positivo (+) de la batería del vehículo o a un punto en la caja de fusibles del vehículo que suministre una fuente ininterrumpida de 12 voltios, aun cuando la llave de contacto se encuentre desconectada. Esta conexión alimenta la memoria del último canal seleccionado.
- 6) Vuelva a conectar el cable al borne negativo (-) de la batería del vehículo.

INFORMACIÓN SOBRE LA ANTENA MÓVIL

Su Maxon MCB-30, para su operación, requiere una antena de CB instalada en el vehículo. La antena no está incluida con su MCB-30 debido a las distintas aplicaciones en vehículos, necesidades individuales y preferencias económicas del propietario.

Usted podrá usar cualquier sistema de antena estándar de 50 Ohmios para uso en CB/ meteorología, para montaje en vehículos con un conector PL-259. El modelo de antena Maxon WTA-4WP se puede obtener de su distribuidor/ detallista local de productos Maxon CB.

NOTA: Al instalar una antena móvil, observe y siga a cabalidad las instrucciones de instalación ofrecidas por el fabricante de la antena. Nunca opere su radio CB sin una antena o con un cable de antena roto. Esto podría dañar la circuitería de su transmisor CB.

- Conecte la antena con toda seguridad al receptáculo para antena que tiene la unidad
- Monte la antena en el vehículo tan alto como sea posible - cuanto más se prolongue la antena por encima del techo del vehículo, mejor será la recepción
- De ser posible, instale la antena en el centro de la superficie que se haya seleccionado
- Mantenga los cables de la antena alejados de fuentes de ruidos tales como el sistema de encendido, instrumentos, etc.
- Cerciórese de que se dispone de una tierra sólida con contacto de metal-a-metal

INFORMACIÓN PARA LA SINTONIZACIÓN DE LA ANTENA

La mayoría de las antenas están sintonizadas en fábrica, pero su rendimiento puede, generalmente, mejorarse mediante una ligera modificación alargando o acortando la antena mediante el uso del (SWR), medidor de ondas estacionarias (no está incluido). Refiérase al manual de instalación del fabricante de la antena. Usted puede adquirir un SWR [medidor de ondas estacionarias], o pedir al departamento de servicio de su distribuidor de CB que compruebe su antena.

INSTRUCCIONES DE OPERACIÓN

Una vez que ha alambrado debidamente su nuevo CB y conectado la antena, usted está listo para ajustar su radio en busca de la óptima recepción y transmisión de voz.

Para la operación adecuada, el micrófono del radio debe estar conectado a la unidad. Introduzca el enchufe del micrófono dentro de su conector (MIC). El enchufe tiene un pasador de traba accionado a

resorte. Al introducir el enchufe en el conector, empuje hacia adentro hasta que el pasador quede trancado en posición. Al desmontarlo, sujete el pasador hacia adentro y extraiga el enchufe.

- 1) Mueva hacia la derecha el control de off/on-volumen para ajustarlo a un nivel de volumen cómodo.
- 2) Seleccione el canal CB que desee oprimiendo el botón de ▲ para moverlo hacia arriba o el botón de ▼ para moverlo hacia abajo.
- 3) Ajuste el botón de control de amortiguamiento de ruidos para reducir cualquier ruido de fondo indeseable cuando no se reciba una señal. Para hacer esto, seleccione un canal que no tenga señal, o espere que la señal cese en su propio canal. Después mueva hacia la derecha el botón de control de amortiguamiento de ruidos hasta el punto en que cese el ruido de fondo.

NOTA: Cuando el amortiguamiento de ruidos está correctamente ajustado, el altoparlante permanecerá tranquilo hasta recibir una señal. Para poder recibir señales débiles, no ponga demasiado alto el amortiguador de ruidos.

Para transmitir: Oprima y sostenga la barra de empujar-para-hablar. Hable lenta y claramente con una voz normal, a dos o tres pulgadas del micrófono. Cuando se transmite, el TX LED destellará en rojo.

Para recibir: Suelte la barra de empujar-para-hablar.

Operación de los altoparlantes exteriores

Para conectar un altoparlante exterior opcional, ubique el conector para el altoparlante exterior que se encuentra en la parte posterior de la unidad e introduzca el enchufe del altoparlante dentro del conector. El altoparlante interno del radio quedará inactivo cuando se activa un altoparlante externo.

TABLA DE FRECUENCIA DEL CANAL DE CB (BANDA CIUDADANA)

Canal:	1	26.965 MHz	
	2	26.975 MHz	
	3	26.985 MHz	
	4	27.005 MHz	
	5	27.015 MHz	
	6	27.025 MHz	
	7	27.035 MHz	
	8	27.055 MHz	
	9	27.065 MHz	Canal 9 de Emergencia
	10	27.075 MHz	
	11	27.085 MHz	
	12	27.105 MHz	
	13	27.115 MHz	
	14	27.125 MHz	
	15	27.135 MHz	
	16	27.155 MHz	
	17	27.165 MHz	
	18	27.175 MHz	
	19	27.185 MHz	Canal de Carretera
	20	27.205 MHz	
	21	27.215 MHz	
	22	27.225 MHz	
	23	27.255 MHz	
	24	27.235 MHz	
	25	27.245 MHz	
	26	27.265 MHz	
	27	27.275 MHz	
	28	27.285 MHz	
	29	27.295 MHz	
	30	27.305 MHz	
	31	27.315 MHz	
	32	27.325 MHz	
	33	27.335 MHz	
	34	27.345 MHz	
	35	27.355 MHz	
	36	27.365 MHz	
	37	27.375 MHz	
	38	27.385 MHz	
	39	27.395 MHz	
	40	27.405 MHz	

TABLA DE LOCALIZACIÓN Y REPARACION DE AVERÍAS

Este radio móvil de banda ciudadana ha sido fabricado en conformidad con las exigentes normas de control de calidad de Maxon. El mismo debe manipularse con cuidado razonable. Evite exponerlo a suciedades y a la humedad.

Si presenta problemas, por favor refiérase a esta Tabla de Localización y Reparación de Averías.

POSIBLES SOLUCIONES:

POSIBLES PROBLEMAS:

	Compruebe la conexión del cable energético	Compruebe los fusibles (en línea y bloque de conexión principal)	Verifique el ajuste del silenciador	Verifique el control de encendido/apagado de potencia-volumen	Cambie al canal activo	Verifique la conexión de la antena	Oprima totalmente la barra de empuje-para-hablar cuando esté hablando	Compruebe la conexión del micrófono
No hay sonido o LEDs encendidos	●	●		●				
LED ilumina, pero sin sonido			●			●		●
Ninguna recepción de voz			●		●	●		●
Recepción pobre						●		
Recepción borrosa						●		
Problemas de transmisión						●	●	●

ADVERTENCIA: NO INTENTE HACER NINGUN AJUSTE INTERNO.

Los ajustes internos y/o modificaciones pueden llevar al funcionamiento ilegal tal como se define por las Reglas y Regulaciones de la FCC, Parte 95. Deberán hacerse por personal técnico calificado. La operación ilegal puede traer serias consecuencias.

PRECAUCIÓN: El fusible que se incluye con esta unidad es una importante característica de seguridad que **no** debe burlarse. **La eliminación de este fusible o el uso de un fusible de mayor capacidad que el suministrado, puede derivar en el calentamiento y/o incendio y daños emergentes a la unidad y al vehículo.** Si se quema un fusible, lleve a inspeccionar la unidad y a repararla por un técnico de servicio calificado.

ESPECIFICACIONES

GENERALES

Canales de CB:	40
Alcance de Frecuencia de CB:	26.965 a 27.405 MHz
Control de Frecuencia:	Sintetizador con circuito de sincronización de fase (P-L-L)
Límites de la Temperatura Operativa:	-30° C to +50° C
Pantalla de Canales:	Diodo emisor de luz (LED)
Voltaje de entrada:	13.8V CD nominal, negativo a tierra
Potencia de entrada CD:	5 W
Dimensiones (ancho x hondo x alto):	114 x 159 x 32 mm
Peso:	.79 kg.
Altoparlante externo (optativo):	Entrada de 5 W @ 8 Ohmios con enchufe de 3.5mm

RECEPTOR

Sistema Receptor:	Doble conversión superheterodina de AM
Frecuencia intermedia:	1a. FI: 10.695 MHz 2a. FI: 455 MHz
Potencia de salida del audio:	4 W

TRANSMISOR

Potencia de Salida de Frecuencia de Radio:	4 W (máximo permitido por la FCC)
--	-----------------------------------

Especificacions sujetas a cambio sin avisos.

OTROS PRODUCTOS MAXON

Maxon fabrica una línea completa de productos electrónicos de uso personal, incluyendo radios CB portátiles y móviles, comunicadores personales en 49 MHz, radios para Servicios de Radio Familiares, radios transmisores-receptores GMRS/DOT, equipos celulares CDMA, GSM y AMPS, monitores meteorológicos y toda una variedad de accesorios optativos. Busque los productos de marcas de **Maxon** en tiendas de venta al detalle por todo el país.

WTA-4WP

Antena móvil para CB/
meteorología con montaje
magnético

FRS-114

Radio transmisor-receptor trabaja
en uno de 14 canales libre de
licencia

49-FX

Singular comunicador transmisor-
receptor usado en el cinto ofrece
altoparlante en el oído/micrófono
para comunicaciones dejando las
manos libres

INSTRUCCIONES SERVICIO DE GARANTÍA

- 1) Refiera a la sección de Instrucciones de Operación en su manual de operaciones para operaciones y ajustes apropiados.
- 2) Refiera a tabla de localización y reparación de averías.
- 3) Si el procedimiento anterior no corrige el problema que usted está experimentando devuelva el producto (con el recibo de compra) al lugar en el cual lo compró, o llame al Departamento de Servicio para el cliente de Maxon para asistirle, 1-816-891-6320, extensión 499.

PARA SU INFORMACIÓN

Fecha de Compra:

Lugar de Compra:

Numero de Serie:

**GUARDE ESTA INFORMACIÓN
EN UN LUGAR SEGURO**

ACLARACIÓN DE LA GARANTÍA LIMITADA

La División de Productos para el Consumidor de Maxon America, Inc. (de aquí en adelante referido como "Maxon"), garantiza que sus Productos y los accesorios incluidos estarán libres de defectos de mano de obra o materiales bajo un uso normal por un período de un (1) año partir de la fecha de compra por el usuario original, siempre y cuando el comprador haya cumplido con los requerimientos aquí declarados.

Si este producto no funciona bajo condiciones normales de uso debido a defecto(s) de fabricación o mano de obra durante el período de un (1) año después de la fecha de compra, será reemplazado o reparado a opción de Maxon sin cargos, una vez retornado al lugar de compra. La unidad defectuosa tiene que estar acompañada de una prueba de la fecha de compra en forma de un recibo de compra.

Maxon no tendrá obligación alguna de hacer reparaciones ni ningún reemplazo que se requiera debido al desgaste normal o que se necesite total o parcialmente debido a una catástrofe, falta o negligencia del usuario, alteraciones impropias o no autorizadas, reparaciones hechas al Producto, cableado incorrecto, uso del Producto de una manera para la cual no fue diseñado, o por causas externas al Producto. Esta garantía es nula si se altera, borra, o remueve el número de serie.

El comprador deberá hacerse responsable de remover el Producto defectuoso e instalación de su repuesto.

LAS GARANTÍAS EXPRESAS AQUI CONTENIDAS SUSTITUYEN TODAS LA OTRAS GARANTÍAS, YA SEAN EXPRESAS, O IMPLICITAS, O ESTATUTARIAS, INCLUYENDO, SIN LIMITACION, CUALQUIER GARANTIA DE BUENA CALIDAD O IDONEIDAD PARA UN PROPOSITO PARTICULAR.

PARA CUALQUIER PRODUCTO QUE NO CUMPLA CON LA GARANTIA ESPECIFICADA, EL UNICO REMEDIO SERA LA REPARACION O REEMPLAZO. MAXON AMERICA, INC. EN NINGÚN CASO SERÁ RESPONSABLE AL COMPRADOR O A SUS CLIENTES POR NINGÚN DAÑO, INCLUYENDO DAÑOS ESPECIALES, INCIDENTALES, INDIRECTOS O CONSECUENTES, NI POR LA PÉRDIDA DE GANANCIAS, INGRESOS O DATOS QUE SURJA DEL USO O LA INHABILIDAD DE USAR ESTE PRODUCTO.

Esta garantía es nula para ventas y envíos fuera de los Estados Unidos.

Thank you for choosing Maxon!
¡Gracias por escoger a Maxon!

**For more information, contact:
Para obtener más información,
comuníquese con:**

**Maxon America, Inc.
Consumer Products Division
10828 NW Air World Drive
Kansas City, Missouri 64153**

**(Within USA) Phone: 1-800-821-7848, Ext. 399
(Outside USA) Phone: 1-816-891-6320, Ext. 399
Fax: 816/891-8815**