

Instructions for use

WASHING MACHINE

GB

GB

English, 1

PL

Polski, 13

CIS

РУССКИЙ, 25

SK

Slovenský, 37

CZ

Český, 49

HU

Magyar, 61

AVTL 104

Contents

Installation, 2-3

Unpacking and levelling, 2
Electric and water connections, 2-3
The first wash cycle, 3
Technical details, 3

Washing machine description, 4-5

Control panel, 4
How to open and shut the drum, 5
Leds, 5

Starting and Programmes, 6

Briefly: how to start a programme, 6
Programme table, 6

Personalisations, 7

Setting the temperature, 7
Setting the spin cycle, 7
Functions, 7

Detergents and laundry, 8

Detergent dispenser, 8
Bleach cycle, 8
Preparing your laundry, 8
Special items, 8
Woolmark Platinum Care, 8

Precautions and advice, 9

General safety, 9
Disposal, 9
Saving energy and respecting the environment, 9

Care and maintenance, 10

Cutting off the water or electricity supply, 10
Cleaning your appliance, 10
Caring for your appliance door and drum, 10
Cleaning the pump, 10
Checking the water inlet hose, 10
Cleaning the detergent dispenser, 10

Troubleshooting, 11

Service, 12

Before calling for Assistance, 12

Installation

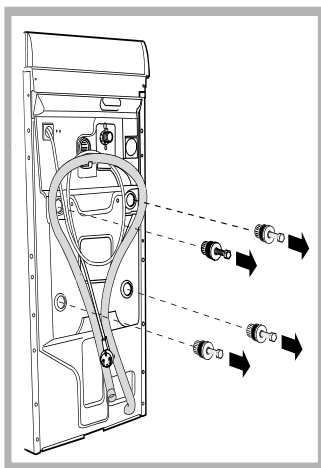
GB

! Keep this instruction manual in a safe place for future reference. Should the appliance be sold, transferred or moved, make sure the instruction manual accompanies the washing machine to inform the new owner as to its operation and features.

! Read these instructions carefully: they contain vital information on installation, use and safety.

Unpacking and levelling

Unpacking



1. Unpack the washing machine.
2. Check whether the washing machine has been damaged during transport. If this is the case, do not install it and contact your retailer.
3. Remove the four protective screws and the rubber washer with the respective spacer, situated on the rear of the appliance (see figure).

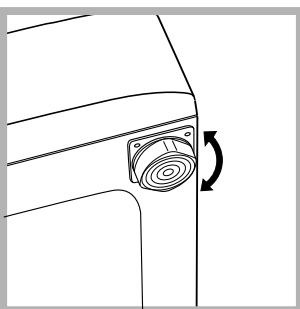
4. Seal the gaps using the plastic plugs provided.
5. Keep all the parts: you will need them again if the washing machine needs to be moved to another location.

Warning: should the screws be re-used, make sure you fasten the shorter ones at the top.

! Packaging materials are not children's toys.

Levelling

1. Install the washing machine on a flat sturdy floor, without resting it up against walls, furniture cabinets or other.

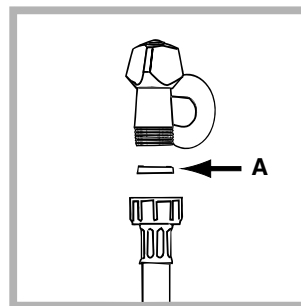


2. If the floor is not perfectly level, compensate for any unevenness by tightening or loosening the adjustable front feet (see figure); the angle of inclination, measured according to the worktop, must not exceed 2°.

Levelling your appliance correctly will provide it with stability and avoid any vibrations, noise and shifting during operation. If it is placed on a fitted or loose carpet, adjust the feet in such a way as to allow enough room for ventilation beneath the washing machine.

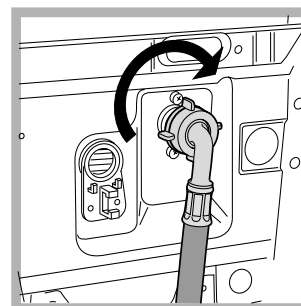
Electric and water connections

Connecting the water inlet hose



1. Insert seal A into the end of the inlet hose and screw the latter onto a cold water tap with a 3/4 gas threaded mouth (see figure).

Before making the connection, allow the water to run freely until it is perfectly clear.



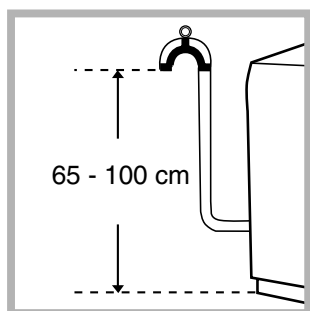
2. Connect the other end of the water inlet hose to the washing machine, screwing it onto the appliance's cold water inlet, situated on the top right-hand side on the rear of the appliance (see figure).

3. Make sure there are no kinks or bends in the hose.

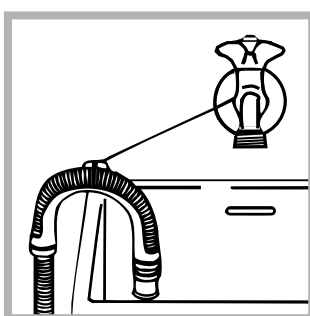
! The water pressure at the tap must be within the values indicated in the Technical details table (on the next page).

! If the water inlet hose is not long enough, contact a specialist store or an authorised serviceman.

Connecting the drain hose



Connect the drain hose, without bending it, to a draining duct or a wall drain situated between 65 and 100 cm from the floor;



alternatively, place it over the edge of a basin, sink or tub, fastening the duct supplied to the tap (see figure). The free end of the hose should not be underwater.

! We advise against the use of hose extensions; in case of absolute need, the extension must have the same diameter as the original hose and must not exceed 150 cm in length.

Electric connection

Before plugging the appliance into the mains socket, make sure that:

- the socket is earthed and in compliance with the applicable law;
- the socket is able to sustain the appliance's maximum power load indicated in the Technical details table (*on the right*);
- the supply voltage is included within the values indicated on the Technical details table (*on the right*);
- the socket is compatible with the washing machine's plug. If this is not the case, replace the socket or the plug.

! The washing machine should not be installed in an outdoor environment, not even when the area is sheltered, because it may be very dangerous to leave it exposed to rain and thunderstorms.

! When the washing machine is installed, the main socket must be within easy reach.

! Do not use extensions or multiple sockets.

! The power supply cable must never be bent or dangerously compressed.



! The power supply cable must only be replaced by an authorised serviceman.

Warning! The company denies all liability if and when these norms are not respected.

The first wash cycle

Once the appliance has been installed, and before you use it for the first time, run a wash cycle with detergent and no laundry, setting the 90°C programme without a pre-wash cycle.

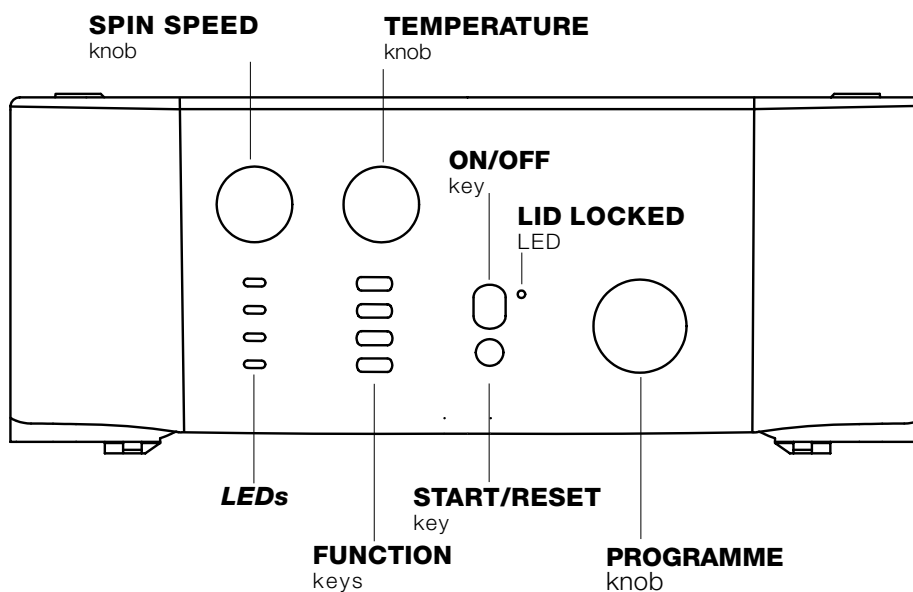
Technical details

Model	AVTL 104
Dimensions	40 cm wide 85 cm high 60 cm deep
Capacity	from 1 to 5 kg
Electric connections	voltage 220/230 Volts 50 Hz maximum absorbed power 1850 W
Water connections	maximum pressure 1 MPa (10 bar) minimum pressure 0.05 MPa (0.5 bar) drum capacity 42 litres
Spin speed	up to 1000 rpm
Control programmes according to IEC456 directive	programme 3; temperature 60°C; run with a load of 5 kg.
  <p>This appliance is compliant with the following European Community Directives: - 73/23/CEE of 19/02/73 (Low Voltage) and subsequent amendments - 89/336/CEE of 03/05/89 (Electromagnetic Compatibility) and subsequent amendments - 2002/96/CE</p>	

Washing machine description

GB

Control panel



Detergent dispenser to add detergent and fabric softener (see page 8).

LEDs to find out which wash cycle phase is under way. If the Delay Timer function has been set, the time left until the programme starts will be indicated (see page 5).

SPIN SPEED knob to set the spin speed or exclude the spin cycle completely (see page 7).

FUNCTION keys to select the functions available. The button corresponding to the function selected will remain on.

TEMPERATURE knob to set the temperature or the cold wash cycle (see page 7).

ON/OFF key to turn the washing machine on and off.

START/RESET key to start the programmes or cancel incorrect settings.

ON-OFF/LID LOCK led ,to find out whether the washing machine is on (flashing) and if the lid may be opened (see page 5).

PROGRAMME knob to set the programmes (see page 6). The knob stays still during the cycle.

⚡ ON-OFF/LID LOCK led:

If this LED is on, the appliance Lid is locked to prevent it from being opened accidentally; to avoid any damages, you must wait for the lamp to flash before you open the Lid.

! The rapid flashing of the ON-OFF/LID LOCK Led together with the flashing of at least one other LED indicates there is an abnormality. Call for Technical Assistance.

How to open and to close the drum

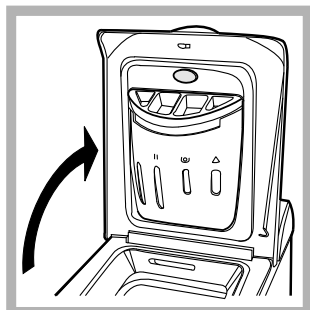


Fig. 1



Fig. 2



Fig. 3

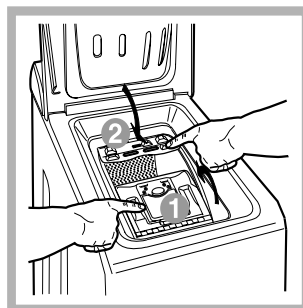


Fig. 4

A) Opening (Fig. 1).

Lift the external lid and open it completely.

B) Then open the drum using both hands as shown in Fig. 2:

- press the button indicated by the arrow in Fig. 2 lightly downwards, with one hand firmly resting on the doors to prevent them from suddenly opening and hurting your fingers;
- therefore follow the appliance doors along as these unhook and open easily.

C) Loading the washing machine. (Fig. 3).

D) Shutting (Fig. 4).

- close the drum fully by first shutting the front door followed by the rear one;
- then ensure the hooks on the front door are perfectly housed within the seat of the rear door;
- after the hooks have clicked into position, press both doors lightly downwards to make sure they do not come loose;
- finally shut the external lid.

Leds

The LEDS provide important information. This is what they can tell you:

Cycle phase under way:

During the wash cycle, the LEDs gradually illuminate on to indicate the cycle phase under way:

- | | | |
|--|--|------------|
| | | Prewash |
| | | Wash |
| | | Rinse |
| | | Spin cycle |

Note: during draining, the LED corresponding to the Spin cycle phase will be turned on.

Function keys

The FUNCTION KEYS also act like LEDS. When a function is selected, the corresponding button is illuminated.



If the function selected is incompatible with the programme set, the button will flash and the function will not be enabled.

If you set a function that is incompatible with another function you selected previously, only the last one selected will be enabled.






Starting and Programmes

GB

Briefly: starting a programme

- Switch the washing machine on by pressing button . All the LEDS will light up for a few seconds and the ON-OFF/DOOR LOCK Led will begin to flash.
- Load your laundry into the washing machine, add the detergent and any fabric softener (see page 8) and shut the appliance door.
- Set the PROGRAMME knob to the programme required.
- Set the wash temperature (see page 7).
- Set the spin speed (see page 7).
- Start the programme by pressing the START/RESET button.
To cancel it, keep the START/RESET button pressed for at least 2 seconds.
- When the programme is finished, the ON-OFF/DOOR LOCK Led will flash to indicate that the appliance door can be opened. Take out your laundry and leave the appliance door ajar to allow the drum to dry thoroughly. Turn the washing machine off by pressing button .

Programme table

Type of fabric and degree of soil	Programmes	Wash temperature	Detergent		Fabric softener	Bleaching /option Bleach	Cycle length (minutes)	Description of wash cycle
			Pre-wash	Wash				
Cotton								
Extremely soiled whites (sheets, tablecloths, etc.)	1	90°C	•	•	•		152	Pre-wash, wash cycle, rinse cycles, intermediate and final spin cycles
Extremely soiled whites (sheets, tablecloths, etc.)	2	90°C		•	•	Delicate/Traditional	144	Wash cycle, rinse cycles, intermediate and final spin cycles
Heavily soiled whites and fast colours	3	60°C		•	•	Delicate/Traditional	159	Wash cycle, rinse cycles, intermediate and final spin cycles
Heavily soiled whites and fast colours	4	40°C		•	•	Delicate/Traditional	93	Wash cycle, rinse cycles, intermediate and final spin cycles
Slightly soiled whites and delicate colours (shirts, jumpers, etc.)	5	30°C		•	•	Delicate/Traditional	85	Wash cycle, rinse cycles, intermediate and final spin cycles
Synthetics								
Heavily soiled fast colours (baby linen, etc.)	6	60°C		•	•	Delicate	94	Wash cycle, rinse cycles, anti-crease or delicate spin cycle
Heavily soiled fast colours (baby linen, etc.)	7	50°C		•	•	Delicate	90	Wash cycle, rinse cycles, anti-crease or delicate spin cycle
Delicate colours (all types of slightly soiled garments)	8	40°C		•	•	Delicate	80	Wash cycle, rinse cycles, anti-crease or delicate spin cycle
Delicate colours (all types of slightly soiled garments)	9	30°C		•	•		32	Wash cycle, rinse cycles and delicate spin cycle
Delicate								
Wool	10	40°C		•	•	Delicate	60	Wash cycle, rinse cycles and delicate spin cycle
Very delicate fabrics (curtains, silk, viscose, etc.)	11	30°C		•	•		67	Wash cycle, rinse cycles, anti-crease or draining cycle
PARTIAL PROGRAMMES								
Rinse					•			Rinse cycles and spin cycle
Delicate rinse cycle					•			Rinse cycles, anti-crease or draining
Spin cycle								Draining and heavy duty spin cycle
Delicate spin cycle								Draining and delicate spin cycle
Draining								Draining

Notes

For the anti-crease function: see Easy iron, *opposite page*. The information contained in the table is purely indicative.

Special programme

Daily 30' (programme 9 for Synthetics) is designed to wash lightly soiled garments in a short amount of time: it only lasts 30 minutes and allows you to save on both time and energy. By setting this programme (9 at 30°C), you can wash different fabrics together (except for woollen and silk items), with a maximum load of 3 kg.

We recommend the use of liquid detergent.

Setting the temperature

Turn the TEMPERATURE knob to set the wash temperature (see *Programme table on page 6*).
The temperature can be lowered, or even set to a cold wash .

Setting the spin speed

Turn the SPIN SPEED knob to set the spin speed for the programme selected.
The maximum spin speeds for each programme are as follows:

Programmes	Maximum spin speed
Cottone	1000 rpm
Synthetics	800 rpm
Wool	600 rpm
Silk	no

The spin speed can be lowered, or the spin cycle can be excluded altogether by selecting symbol .
The washing machine will automatically prevent you from selecting a spin speed higher than the maximum speed for each programme.

Functions

To enable a function:

1. press the button corresponding to the desired function, according to the table below;
2. the function is enabled when the corresponding button is illuminated.

Note: The rapid flashing of the button indicates that the corresponding function cannot be selected for the programme set.

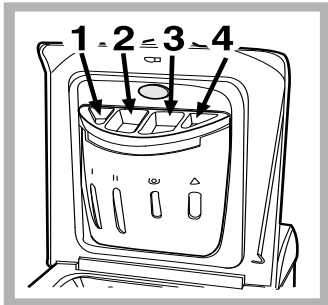
Function	Effect	Comments	Enabled with programmes:
Super Wash 	Allows for an impeccable wash, visibly whiter than a standard <i>Class A</i> wash.	This function is incompatible with the RAPID function.	1, 2, 3, 4, 5, 6, 7, 8
Easy iron 	This option reduces the amount of creasing on fabrics, making them easier to iron.	When this function is set, programmes 6, 7, 8, 11 and Delicate rinse will end with the laundry left to soak (Anti-crease) and the Rinse cycle phase LED will flash. - to conclude the cycle, press the START/RESET button; - to run the draining cycle alone, set the knob to the relative symbol and press the START/RESET button.	All programmes except for 1, 2, 9, 10 and Draining.
Rapid 	Cuts the duration of the wash cycle by 30%.	This function is incompatible with the SUPER WASH function.	1, 2, 3, 4, 5, 6, 7, 8 Rinse
Extra Rinse 	Increases the efficiency of the rinse.	Recommended when the appliance has a full load or with large quantities of detergent.	1, 2, 3, 4, 5, 6, 7, 8, and Rinse cycles.

Detergents and laundry

GB

Detergent dispenser

Good washing results also depend on the correct dose of detergent: adding too much detergent won't necessarily make for a more efficient wash, and may in fact cause build up on the interior of your appliance and even pollute the environment.



Open up the detergent dispenser and pour in the detergent and fabric softener, as follows.

compartment 1: Detergent for pre-wash

compartment 2: Detergent for the wash cycle (powder or liquid)

It is recommended that you place liquid detergent directly into the compartment using the appropriate dosing cup.

compartment 3: Additives (softener, etc.)


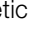
When pouring the softener in compartment 3, avoid exceeding the "max" level indicated. The softener is added automatically into the machine during the last wash. At the end of the wash programme, some water will be left in compartment 3. This is used for the inlet of denser fabric softeners into the machine, i.e. to dilute the more concentrated softeners. Should more than a normal amount of water remain in compartment 3, this means the emptying device is blocked. For cleaning instructions, see page 10.

compartment 4: Bleach

! Do not use hand wash detergent because it may form too much foam.

Bleach cycle

Traditional bleach should be used on sturdy white fabrics, and **delicate** bleach for coloured fabrics, synthetics and for wool.

When pouring in the bleach, be careful not to exceed the "max" level indicated on compartment 4 .. To run the bleach cycle alone, pour the bleach into compartment 4 and set the Rinse programme  (for cotton fabrics) or delicate Rinse  (for synthetic fabrics).

Preparing your laundry

- Divide your laundry according to:
 - the type of fabric/the symbol on the label.
 - the colours: separate coloured garments from whites.
- Empty all pockets and check for loose buttons.
- Do not exceed the weight limits stated below, which refer to the weight when dry:
 - Sturdy fabrics: max 5 kg
 - Synthetic fabrics: max 2.5 kg
 - Delicate fabrics: max 2 kg
 - Wool: max 1 kg

How much does your laundry weigh?

- 1 sheet 400-500 g
- 1 pillow case 150-200 g
- 1 tablecloth 400-500 g
- 1 bathrobe 900-1,200 g
- 1 towel 150-250 g

Special items

Curtains: fold curtains and place them in a pillow case or mesh bag. Wash them separately without exceeding half the appliance load. Use programme 11 which excludes the spin cycle automatically.

Quilted coats and windbreakers: if they are padded with goose or duck down, they can be machine-washed. Turn the garments inside out and load a maximum of 2-3 kg, repeating the rinse cycle once or twice and using the delicate spin cycle.

Trainers: remove any mud. They can be washed together with jeans and other tough garments, but not with whites.

Wool: for best results, use a specific detergent, taking care not to exceed a load of 1 kg.

Woolmark Platinum Care

As gentle as a hand wash.



Ariston sets a new standard of superior performance that has been endorsed by The Woolmark Company with the prestigious Woolmark Platinum Care brand. Look for the Woolmark Platinum Care logo on the washing machine to ensure you can safely and effectively wash wool garments labelled as "hand wash" (M.00221):



Set programme 10 for all "Hand wash" garments, using the appropriate detergent.

Precautions and advice

! The washing machine was designed and built in compliance with the applicable international safety regulations. The following information is provided for your safety and should consequently be read carefully.

General safety

- This appliance has been designed for non-professional, household use and its functions must not be changed.
- This washing machine should only be used by adults and in accordance with the instructions provided in this manual.
- Never touch the washing machine when barefoot or with wet or damp hands or feet.
- Do not pull on the power supply cable to unplug the appliance from the electricity socket. Pull the plug out yourself.
- Do not open the detergent dispenser while the appliance is in operation.
- Do not touch the drain water as it could reach very high temperatures.
- Never force the washing machine door: this could damage the safety lock mechanism designed to prevent any accidental openings.
- In the event of a malfunction, do not under any circumstances touch internal parts in order to attempt repairs.
- Always keep children well away from the appliance while in operation.
- The appliance door tends to get quite hot during the wash cycle.
- Should it have to be moved, proceed with the help of two or three people and handle it with the utmost care. Never try to do this alone, because the appliance is very heavy.
- Before loading your laundry into the washing machine, make sure the drum is empty.

Disposal

• Disposal of old electrical appliances
The European Directive 2002/96/EC on Waste Electrical and Electronic Equipment (WEEE), requires that old household electrical appliances must not be disposed of in the normal unsorted municipal waste stream. Old appliances must be collected separately in order to optimise the recovery and recycling of the materials they contain and reduce the impact on human health and the environment.

The crossed out "wheeled bin" symbol on the product reminds you of your obligation, that when you dispose of the appliance it must be separately collected.

Consumers should contact their local authority or retailer for information concerning the correct disposal of their old appliance.

- Disposing of an old washing machine: before scrapping your appliance, cut the power supply cable and remove the appliance door.

Saving energy and respecting the environment

Environmentally-friendly technology

If you only see a little water through your appliance door, this is because thanks to the latest technology, your washing machine only needs less than half the amount of water to get the best results: an objective reached to respect the environment.

Saving on detergent, water, energy and time

- To avoid wasting resources, the washing machine should be used with a full load. A full load instead of two half loads allows you to save up to 50% on energy.
- The pre-wash cycle is only necessary on extremely soiled garments. Avoiding it will save on detergent, time, water and between 5 and 15% energy.
- Treating stains with a stain remover or leaving them to soak before washing will cut down the need to wash them at high temperatures. A programme at 60°C instead of 90°C or one at 40°C instead of 60°C will save up to 50% on energy.
- Use the correct quantity of detergent depending on the water hardness, how soiled the garments are and the amount of laundry you have, to avoid wastage and to protect the environment: despite being biodegradable, detergents do contain ingredients that alter the natural balance of the environment. In addition, avoid using fabric softener as much as possible.
- If you use your washing machine from late in the afternoon until the early hours of the morning, you will help reduce the electricity board's peak load. The Delay Timer option (see page 7) helps to organise your wash cycles accordingly.
- If your laundry has to be dried in a tumble dryer, select a high spin speed. Having the least water possible in your laundry will save you time and energy in the drying process.

Care and maintenance

GB

Cutting off the water or electricity supply

- Turn off the water tap after every wash. This will limit the wear of your appliance's water system and also prevent leaks.
- Unplug your appliance when cleaning it and during all maintenance operations.

Cleaning your appliance

The exterior and rubber parts of your appliance can be cleaned with a soft cloth soaked in lukewarm soapy water. Do not use solvents or abrasives.

Cleaning the detergent dispenser

Remove the dispenser by raising it and pulling it out (see figure). Wash it under running water; this operation should be repeated frequently.

Caring for your appliance door and drum

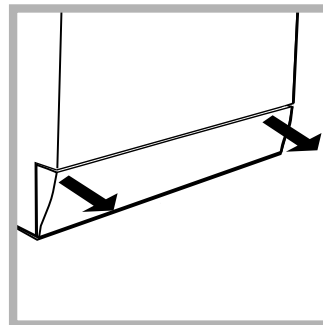
- Always leave the appliance door ajar to prevent unpleasant odours from forming.

Cleaning the pump

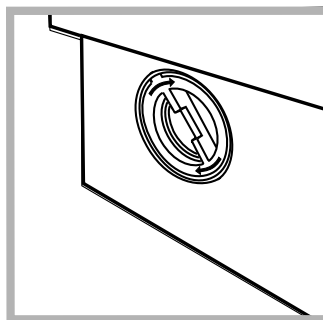
The washing machine is fitted with a self-cleaning pump that does not require any maintenance. Sometimes, small items (such as coins or buttons) may fall into the pre-chamber that protects the pump, situated in the lower part of the same.

! Make sure the wash cycle has ended and unplug the appliance.

To recover any objects that have fallen into the pre-chamber:



1. remove the plinth at the bottom on the front side of the washing machine by pulling from the side with your hands (see diagram); (see figure);
2. unscrew the lid rotating it anticlockwise (see figure): a little water may trickle out. This is perfectly normal;
3. clean the interior thoroughly;
4. screw the lid back on;
5. reposition the panel, making sure the hooks are securely in place before you push it onto the appliance.



Checking the water inlet hose

Check the water inlet hose at least once a year. If you see any cracks, replace it immediately: during the wash cycles, water pressure is very strong and a cracked hose could easily split open.

! Never use hoses that have already been used.

How to clean the detergent dispenser

Disassembly:

Press lightly on the large button on the front of the detergent dispenser and pull it upwards (fig. 1).



Fig. 1

Cleaning:

Then clean the dispenser under a tap (fig. 3) using an old toothbrush and, once the pair of siphons inserted in the top of compartments 1 and 2 (fig. 4) have been pulled out, check whether the same are not clogged and then rinse them.

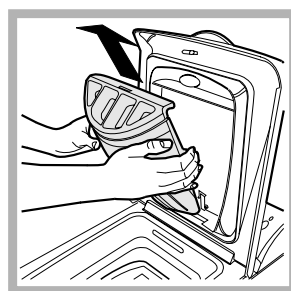


Fig. 2

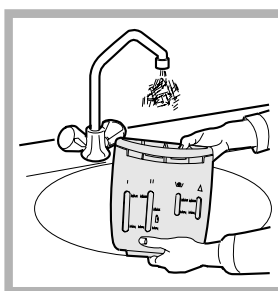


Fig. 3

Reassembly:

Do not forget to reinsert the pair of siphons into the special housings and then to replace the dispenser into its seat, clicking it into place (fig. 4, 2 and 1).

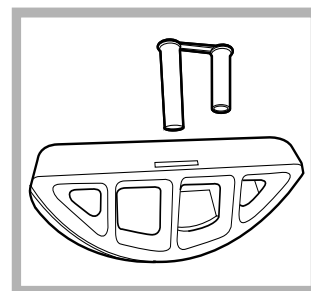


Fig. 4

Your washing machine could fail to work. Before calling for Assistance (see page 12), make sure the problem can't easily be solved by consulting the following list.


Problem

Possible causes/Solution:

The washing machine won't start.

- The appliance is not plugged into the socket, or not enough to make contact.
- There has been a power failure.

The wash cycle won't start.

- The appliance Lid is not shut properly. The Lid locked Led flashes.
- The  button has not been pressed.
- The START/RESET button has not been pressed.
- The water tap is not turned on.

The washing machine fails to load water.

- The water inlet hose is not connected to the tap.
- The hose is bent.
- The water tap is not turned on.
- There is a water shortage.
- The water pressure is insufficient.
- The START/RESET button has not been pressed.

The washing machine continuously loads and unloads water.

- The drain hose is not fitted between 65 and 100 cm from the floor (see page 3).
 - The free end of the hose is underwater (see page 3).
 - The wall drainage system doesn't have a breather pipe.
- If the problem persists even after these checks, turn off the water tap, switch the appliance off and call for Assistance. If the dwelling is on one of the upper floors of a building, there may be drain trap problems causing the washing machine to load and unload water continuously. In order to avoid such an inconvenience, special anti-drain trap valves are available in shops.

The washing machine does not drain or spin.

- The programme does not foresee the draining: some programmes require enabling the draining manually (see page 6).
- The Easy iron option is enabled: to complete the programme, press the START/RESET button (see page 7).
- The drain hose is bent (see page 3).
- The drain duct is clogged.

The washing machine vibrates too much during the spin cycle.

- The drum was not unblocked correctly during installation (see page 2).
- The washing machine is not level (see page 2).
- The washing machine is closed in between furniture cabinets and the wall (see page 2).

The washing machine leaks.

- The water inlet hose is not screwed on correctly (see page 2).
- The detergent dispenser is obstructed (to clean it, see page 10).
- The drain hose is not secured properly (see page 3).

The ON-OFF/DOOR LOCK Led flashes rapidly at the same time as at least one other LED.

- Call for Assistance because this means there is an abnormality.

There is too much foam.

- The detergent is not suitable for machine washing (it should bear the definition "for washing machines" or "hand and machine wash", or the like).
- You used too much detergent.

GB

Installation

Description

Programmes

Detergents

Precautions

Care

Troubleshooting

Service

Before calling for Assistance:

- Check whether you can solve the problem on your own (*see page 11*);
 - Restart the programme to check whether the problem has been solved;
 - If this is not the case, contact an authorised Technical Service Centre on the telephone number provided on the guarantee certificate.
- ! Always request the assistance of authorised servicemen.

Notify the operator of:

- the type of problem;
- the appliance model (Mod.);
- the serial number (S/N);

This information can be found on the data plate situated on the rear of the washing machine.

PL

Polski

AVTL 104

Spis treści

Instalacja, 14-15

Rozpakowanie i wypoziomowanie, 14
Podłączenie do sieci wodnej i elektrycznej, 14-15
Pierwszy cykl prania, 15
Dane techniczne, 15

Opis pralki, 16-17

Panel kontrolny, 16
Jak otwierać i zamykać kosz, 17
Światelka sygnalizujące, 17

Uruchomienie i Programy, 18

Krótko mówiąc: jak nastawić program, 18
Tabela programów, 18

Potrzeby indywidualne, 19

Nastawienie temperatury, 19
Nastawienie wirowania, 19
Funkcje, 19

Środki piorące i bielizna, 20

Szufladka na środki piorące, 20
Cykl wybielania, 20
Przygotowanie bielizny, 20
Tkaniny wymagające szczególnej dbałości, 20
Woolmark Platinum Care (Kaszmir Platinum), 20

Zalecenia i środki ostrożności, 21

Ogólne zasady bezpieczeństwa, 21
Usuwanie odpadów, 21
Oszczędność i ochrona środowiska, 21

Konserwacja, 22

Wyłączenie wody i prądu elektrycznego, 22
Czyszczenie pralki, 22
Czyszczenie szufladki na środki piorące, 22
Czyszczenie drzwiczek i bębna, 22
Czyszczenie pompy, 22
Kontrola rury doprowadzania wody, 22
Jak czyścić szufladkę środków piorących, 22

Anomalie i środki zaradcze, 23

Serwis Techniczny, 24

Przed zwróceniem się do Serwisu Technicznego, 24

Instalacja

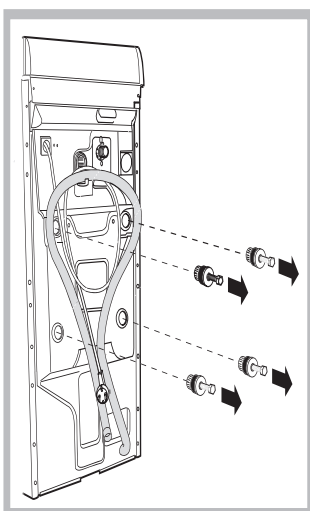
PL

! Należy zachować niniejszą książeczkę instrukcji dla przyszłych konsultacji. W razie sprzedaży, oddania, czy przeniesienia pralki w inne miejsce należy upewnić się, by przekazana została ona razem z instrukcją, aby nowy właściciel zapoznać się mógł z działaniem urządzenia i odpowiednimi informacjami.

! Należy uważnie przeczytać instrukcję obsługi, gdyż zawiera ona ważne informacje dotyczące instalacji oraz właściwego i bezpiecznego użytkowania pralki.

Rozpakowanie i wypoziomowanie

Rozpakowanie



1. Rozpakować pralkę.
2. Sprawdzić, czy nie doznała ona uszkodzeń w czasie transportu. Jeśli byłaby ona uszkodzona, nie podłączać jej i powiadomić sprzedawcę.
3. Odkręcić cztery śruby ochronne, zamocowane na czas transportu, oraz zdjąć gumową podkładkę z odpowiednią rozpórką, znajdujące się w tylnej ścianie i (zobacz rysunek).

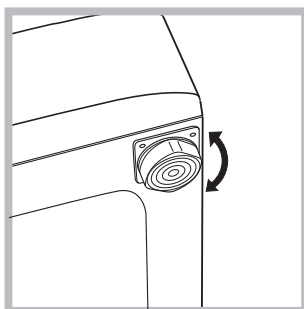
4. Zatkać otwory przy pomocy załączonych do pralki plastikowych zaślepek.

5. Zachować wszystkie te części: gdyby okazało się konieczne przewiezienie pralki w inne miejsce, powinny one zostać ponownie zamontowane.

Uwaga: w razie ponownego użycia krótsze śrubki powinny być przymocowane u góry.

! Części opakowania nie nadają się do zabawy dla dzieci

Wypoziomowanie



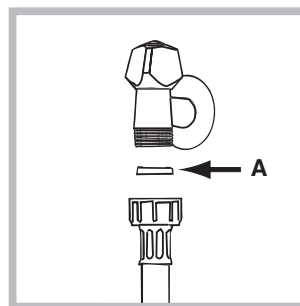
1. Ustawić pralkę na płaskiej i twardej podłodze; nie opierać jej o ściany, meble itp.
2. Jeśli podłoga nie jest dokładnie pozioma, należy wypoziomować pralkę, dokręcając lub odkręcając przednie

nóżki (zobacz rysunek). Kąt nachylenia, zmierzony na górnym blacie pralki, nie powinien przekraczać 2°.

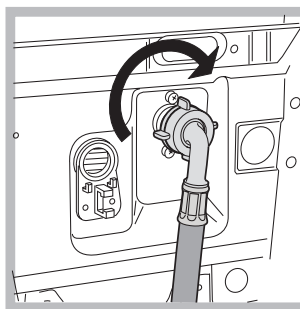
Staranne wypoziomowanie pralki zapewnia jej stabilność i zapobiega wibrowaniu, hałasom i przesuwaniu się urządzenia w czasie pracy. W razie ustawienia na dywanie lub wykładzinie dywanowej należy tak wyregulować nóżki, aby pod pralką pozostawała wolna przestrzeń niezbędna dla wentylacji.

Podłączenie do sieci wodnej i elektrycznej

Podłączenie rury pobierania wody



1. Wsunąć uszczelkę A do końcówki rury pobierania wody i przykręcić ją do kurka zimnej wody o gwintowanym otworze 3/4" (zobacz rysunek). Przed podłączeniem upuścić wodę, aż będzie zupełnie czysta i przeźroczysta.



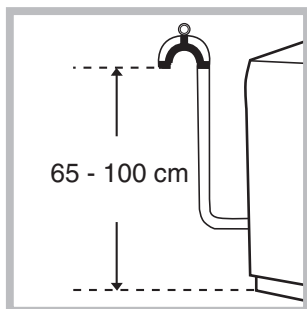
2. Podłączyć rurę pobierania wody do pralki, przykręcając ją do odpowiedniego otworu pobierania wody, znajdującego się w tylnej ścianie pralki, z prawej strony u góry (zobacz rysunek).

3. Zwrócić uwagę, by na rurze nie było zgięć ani ściśnieć.

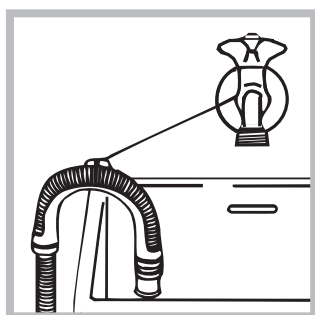
! Ciśnienie hydrauliczne kurka powinno mieścić się w przedziale podanym w tabeli Danych technicznych (zobacz na sąsiedniej stronie).

! Jeśli rura doprowadzania wody okazałaby się za krótka, należy zwrócić się do wyspecjalizowanego sklepu lub do upoważnionego fachowca.

Podłączenie rury usuwania wody



Podłączyć rurę usuwania wody, bez zginania jej, do przewodu ściekowego lub do ścieku w ścianie, które powinny znajdować się na wysokości od 65 do 100 cm od podłogi;



lub oprzeć ją na brzegu zlewu lub wanny, przymocowując do kranu załączony do pralki przewód (zobacz rysunek). Wolny koniec rury usuwania wody nie powinien pozostawać zanurzony w wodzie.

! Odradza się używanie rur-przedłużaczy; jeśli przedłużacz jest jednak konieczny, powinien mieć on ten sam przekrój, co rura oryginalna, i nie powinien przekraczać 150 cm długości.

Podłączenia elektryczne

Przed wprowadzeniem wtyczki do gniazdka należy upewnić się, czy:

- gniazdko ma odpowiednie uziemnienie i czy odpowiada obowiązującym przepisom;
- gniazdko jest w stanie wytrzymać obciążenie maksymalnej mocy urządzenia, podanej w tabeli Danych Technicznych (zobacz obok);
- napięcie prądu elektrycznego w sieci zgodne jest z danymi podanymi w tabeli Danych Technicznych (zobacz obok);
- gniazdko odpowiada wtyczce pralki. W przeciwnym razie należy wymienić gniazdko lub wtyczkę.

! Nie należy instalować pralki na otwartym powietrzu, nawet jeśli miejsce to jest chronione daszkiem, gdyż wystawienie urządzenia na działanie deszczu i burz, jest bardzo niebezpieczne.

! Po zainstalowaniu pralki gniazdko elektryczne powinno być łatwo dostępne.

! Nie używać przedłużaczy ani wtyczek wielokrotnych.

! Kabel nie powinien mieć zgięć ani nie powinien być zgnieciony.



! Kabel zasilania elektrycznego może być wymieniony wyłącznie przez upoważnionego technika specjalistę.

Uwaga! Producent uchyla się od wszelkiej odpowiedzialności, jeśli nie przestrzega się powyższych zasad.

Pierwszy cykl prania

Po zainstalowaniu, zanim zaczniesz się używać pralki, należy wykonać jeden cykl prania ze środkiem piorącym, lecz bez bielizny, nastawiając program na 90°C bez prania wstępnego.

Dane techniczne

Model	AVTL 104
Wymiary	szerokość cm 40 wysokość cm 85 głębokość cm 60
Pojemność	od 1 do 5 kg
Dane prądu elektrycznego	Napięcie 220/230 Volt 50 Hz maksymalna moc pobierana 1850 W
Dane sieci wodociągowej	Maksymalne ciśnienie 1 MPa (10 barów) ciśnienie minimalne 0,05 MPa (0,5 barów) pojemność bębna 42 litrów
Szybkość wirowania	do 1000 obrotów na minutę
Programy kontrolne zgodnie z przepisami IEC 456	program 3; temperatura 60°C; wykonane przy 5 kg załadowanej bielizny.
	Urządzenie to zostało wyprodukowane zgodnie z następującymi przepisami EWG: - 73/23/CEE z dn. 19/02/73 (o Niskim Napięciu) wraz z kolejnymi zmianami - 89/336/CEE z dn. 03/05/89 (o Kompatybilności Elektromagnetycznej) wraz z kolejnymi zmianami - 2002/96/CE
	

PL

Instalacja

Opis

Programy

Środki piorące

Zasady ostrożności

Konserwacja

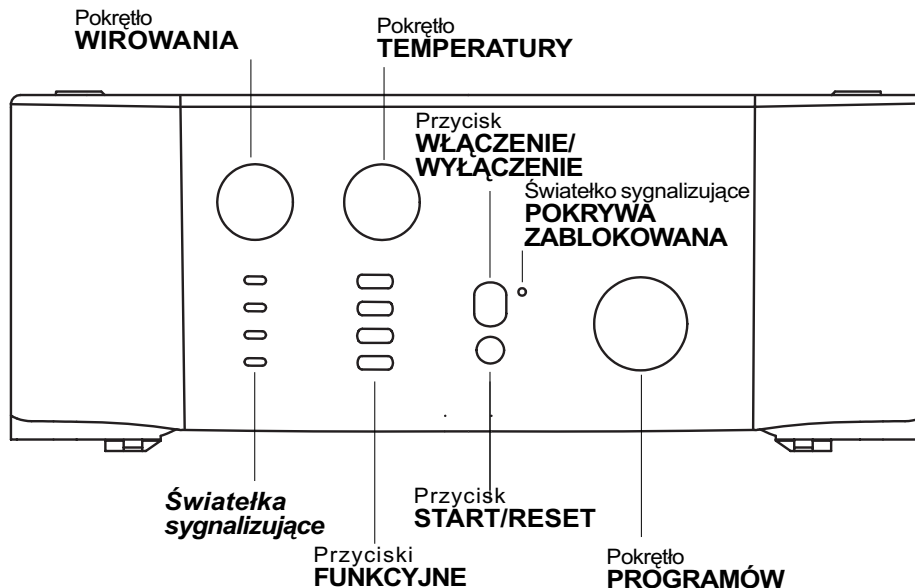
Nieprawidłowości w działaniu

Serwis techniczny

Opis pralki

PL

Panel kontrolny



Szufladka na środki piorące służy do wsypania środków piorących i dodatków (zobacz str. 20).

mŚwiatelka sygnalizujące umożliwiają śledzenie stanu postępowania programu prania. Jeśli nastawiona została funkcja Delay Timer, wskażą one czas pozostający do uruchomienia się programu (zobacz str. 17).

Pokrętko **WIROWANIE** służy do nastawienia lub wykluczenia wirowania (zobacz str. 19).

Przyciski **FUNKCJA** służą do wybrania pożądaných funkcji. Przycisk odnoszący się do wybranej funkcji zaświeci się po jej nastawieniu.

Pokrętko **TEMPERATURA** służy do ustawienia temperatury prania lub nastawienia prania w zimnej wodzie (zobacz str. 19).

Przycisk **WŁĄCZANIE/WYŁĄCZANIE** służy do włączania i wyłączania pralki.

Przycisk **START/RESET** służy do uruchamiania programów lub do anulowania błędnie nastawionych.

Światelko sygnalizujące **WŁĄCZENIE/POKRYWA ZABLOKOWANA** służy do zrozumienia, czy pralka jest włączona (lampka pulsująca) i czy można otworzyć pokrywę (światło stałe) (patrz str. 17).

Pokrętko **PROGRAMY** do nastawiania programów (patrz str. 18).

W czasie trwania programu pokrętko pozostaje nieruchome.

☞ Światelko sygnalizujące ZAPALENIE/ZABLOKOWANE DRZWICZKI:

To światelko sygnalizacyjne zapalone wskazuje, że drzwiczki pralki są zablokowane, aby zapobiec przypadkowemu ich otwarciu; aby uniknąć szkód należy odczekać do momentu, w którym światelko zacznie pulsować, po czym można otworzyć drzwiczki.

! Szybkie pulsowanie światelka ZAPALENIE/ZABLOKOWANE DRZWICZKI przy jednoczesnym pulsowaniu przynajmniej jeszcze jednego innego światelka sygnalizacyjnego wskazuje nieprawidłowe działanie pralki. W tym wypadku należy wezwać Serwis Techniczny.

Jak otwierać i zamykać kosz

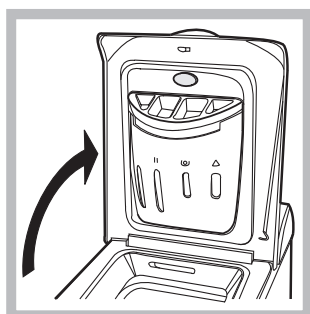


Fig. 1

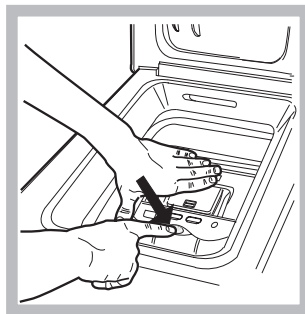


Fig. 2



Fig. 3

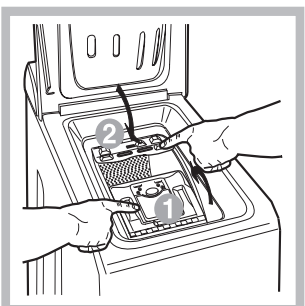


Fig. 4

A) OTWIERANIE. (Rys.1). Podnieść zewnętrzną pokrywę i całkowicie ją otworzyć.

B) Następnie otworzyć bęben, pomagając sobie obiema rękami, jak pokazano na Rys. 2):

- przycisnąć wskazany strzałką na Rys. 2 przycisk i lekko docisnąć w dół, trzymając opartą jedną dłoń, aby drzwiczki otwierając się nie zraniły palców;
- powoli poluzować drzwiczki, które się zwolnią i łatwo otworzą.

C) WKŁADANIE BIELIZNY. (Rys.3)

D) ZAMKNIĘCIE. (Rys.4)

- dobrze zamknąć drzwiczki, opuszczając najpierw drzwiczki przednie i opierając na nich drzwiczki tylne;
- upewnić się, czy zaczepy przednich drzwiczek dobrze weszły na swoje miejsce w tylnych drzwiczkach;
- po usłyszeniu charakterystycznego “clac”, co świadczy o zaskoczeniu zaczepów, lekko docisnąć oboje drzwiczek, które nie powinny się rozczepić.;
- na zakończenie zamknąć klapę zewnętrzną.





Światelka sygnalizujące

Światelka sygnalizujące dostarczają ważnych informacji.

Informują one, co następuje:

Aktualna faza prania:

W trakcie cyklu prania poszczególne światelka będą się zapalać, wskazując stan zaawansowania prania w toku:

-  Pranie wstępne
-  Pranie
-  Płukanie
-  Odwirowanie

Uwaga: w fazie usuwania wody zapali się światelko odpowiadające fazie Wirowania.

Przyciski funkcyjne

PRZYCISKI FUNKCYJNE służą również jako światelka sygnalizujące.

Po wybraniu danej funkcji zaświeci się odpowiedni przycisk.

Jeśli wybrana funkcja nie może być nastawiona razem z wybranym programem, przycisk funkcji będzie migotał, a funkcja nie zostanie uruchomiona. Jeśli nastawiona zostanie funkcja sprzeczna z uprzednio wybraną inną funkcją, tylko jeden wybór będzie przyjęty.

PL

Instalacja

Opis

Programy

Środki piorące

Zasady ostrożności

Konserwacja

Nieprawidłowości w działaniu

Serwis techniczny

Uruchomienie i Programy

PL

Krótko mówiąc: jak nastawić program








1. Włączyć pralkę, przyciskając przycisk .
Wszystkie światelka sygnalizacyjne zapalą się na kilka sekund, a następnie zgasną, po czym zaczną migotać światelko sygnalizacyjne WŁĄCZENIE/ZABLOKOWANE DRZWICZKI.
2. Włóż bielinę do pralki, wsypać proszek i dodatki (patrz str. 20) i zamknąć pokrywę.
3. Nastawić pożądany program przy pomocy pokrętki PROGRAMÓW.
4. Nastawić temperaturę prania (zobacz str. 19).
5. Nastawić szybkość wirowania (zobacz str. 19).
6. Uruchomić program, przyciskając przycisk START/RESET.
Aby anulować program, należy trzymać przyciśnięty przycisk START/RESET przez co najmniej 2 sekundy.
7. Po zakończeniu programu światło sygnalizacyjne WŁĄCZENIE/ZABLOKOWANE DRZWICZKI zaczną migotać, co wskazuje, że można otworzyć drzwiczki. Wyjąć bielinę i pozostawić drzwiczki pralki uchylone, aby bęben mógł wyschnąć. Wyłączyć pralkę, przyciskając przycisk .

Tabela programów

Rodzaj tkaniny oraz stopień zabrudzenia	Programy	Temperatura	Środek piorący		Środek zmiękcżający	Opcja Wybielanie/ Wybielacz	Czas trwania cyklu (minuty)	Opis cyklu prania
			Pranie wstępne	Pranie właściwe				
Bawełna								
Bielizna biała silnie zabrudzona (pościel, obrusy itp.)	1	90°C	•	•	•		137	Pranie wstępne, pranie właściwe, płukania, odwirowania pośrednie i końcowe
Bielizna biała silnie zabrudzona (pościel, obrusy itp.)	2	90°C		•	•	Delikatne / Tradycyjny	129	Pranie, płukania, odwirowania pośrednie i końcowe
Bielizna biała i kolorowa, wytrzymała, mocno zabrudzona	3	60°C		•	•	Delikatne / Tradycyjny	144	Pranie, płukania, odwirowania pośrednie i końcowe
Bielizna biała, słabo zabrudzona oraz kolorowa delikatna (koszule, bluzki itp.)	4	40°C		•	•	Delikatne / Tradycyjny	78	Pranie, płukania, odwirowania pośrednie i końcowe
Tkaniny kolorowe, delikatne, mało zabrudzone	5	30°C		•	•	Delikatne / Tradycyjny	70	Pranie, płukania, odwirowania pośrednie i końcowe
Tkaniny syntetyczne								
Tkaniny syntetyczne o wytrzymałych kolorach, silnie zabrudzone (bielizna dla niemowląt itp.)	6	60°C		•	•	Delikatne	79	Pranie, płukania, funkcja przeciw gnicieniu lub delikatne odwirowanie
Tkaniny syntetyczne o wytrzymałych kolorach, silnie zabrudzone (bielizna dla niemowląt itp.)	7	50°C		•	•	Delikatne	75	Pranie, płukania, funkcja przeciw gnicieniu lub delikatne odwirowanie
Tkaniny syntetyczne o delikatnych kolorach (wszystkie rodzaje bielizny, lekko zabrudzonej)	8	40°C		•	•	Delikatne	65	Pranie, płukania, funkcja przeciw gnicieniu lub delikatne odwirowanie
Tkaniny syntetyczne o delikatnych kolorach (wszystkie rodzaje bielizny, lekko zabrudzonej)	9	30°C		•	•		30	Pranie, płukania i delikatne odwirowanie
Tkaniny delikatne								
Wełna	10	40°C		•	•	Delikatne	45	Pranie, płukania i delikatne odwirowanie
Ubrania i tkaniny wyjątkowo delikatne (firanki, jedwab, wiskoza itp.)	11	30°C		•	•		52	Pranie, płukania, funkcja przeciw gnicieniu lub opróżnienie z wody
PROGRAMY CZĘŚCIOWE								
Płukanie					•	•		Płukania i odwirowanie
Płukanie delikatne					•	•		Płukania, funkcja przeciw gnicieniu lub opróżnienie z wody
Odwirowanie								Opróżnienie z wody i energiczne odwirowanie
Odwirowanie delikatne								Opróżnienie z wody i delikatne odwirowanie
Opróżnienie z wody								Opróżnienie z wody

Uwagi.

Opis funkcji przeciw gnicieniu się tkanin, zobacz Łatwiejsze prasowanie, na następnej stronie. Podane w tabeli dane mają charakter przybliżony.

Program specjalny.

Dzienny 30' (program 9 dla tkanin syntetycznych) przeznaczony jest do prania bielizny mało zabrudzonej w krótkim czasie: trwa tylko 30 minut i pozwala dzięki temu na zaoszczędzenie energii i czasu. Nastawiając program (9 o temperaturze 30°C) można razem wyprać różnego rodzaju tkaniny (z wyjątkiem wełny i jedwabiu), przy maksymalnym załadunku do 3kg. *Zalecamy stosowanie płynnego środka piorącego.*

Potrzeby indywidualne

Nastawienie temperatury

Temperaturę prania nastawia się, obracając pokrętko TEMPERATURY (zobacz Tabelę programów *na str. 18*). Temperaturę można zredukować, aż do prania w zimnej wodzie .

Nastawienie wirowania

Obracając pokrętko WIROWANIE, można nastawić szybkość odwirowywania dla wybranego programu. Maksymalne szybkości przewidziane dla wybranych programów są następujące:

Programy	Maksymalna szybkość
Bawełna	1000 obrotów na minutę
Tkaniny syntetyczne	800 obrotów na minutę
Wełna	600 obrotów na minutę
Jedwab	no

Szybkość wirowania może zostać zmniejszona lub można wirowanie zupełnie wykluczyć przez przyciśnięcie przycisku .

Pralka zapobiegnie automatycznie wykonaniu wirowania szybszego, niż maksymalne wirowanie przewidziane dla wybranego programu.

Funkcje

Różne funkcje, w jakie wyposażona jest pralka, pozwalają na osiągnięcie pożądanego rezultatu prania. Aby uaktywnić poszczególne funkcje, należy postępować w następujący sposób:

1. przycisnąć odpowiadający pożądanemu przycisk, zgodnie z poniższą tabelą;
2. zaświecenie się odpowiedniego przycisku oznacza, że funkcja jest aktywna.

Uwaga: Szybkie migotanie przycisku oznacza, że danej funkcji nie można nastawić przy wybranym programie.

Funkcje	Efekt	Uwagi dotyczące użycia	Opcja aktywna przy programach:
Super Wash 	Pozwala na doskonałe wypranie białej bielizny; bielizna jest zdecydowanie bielsza, niż przy standardowym praniu w klasie energetycznej A.	Funkcji tej nie można nastawić razem z funkcją PRANIE BŁYSKAWICZNE.	1, 2, 3, 4, 5, 6, 7, 8
Łatwiejsze prasowanie 	Zmniejsza gnienie się tkanin, ułatwiając prasowanie.	Po nastawieniu tej funkcji programy 6, 7, 8, 11 oraz Delikatne płukanie zatrzymają się z białą namoczoną w wodzie (Funkcja zapobiegająca gnieniu), a zacnie migotać światło sygnalizacyjne fazy Płukania: - aby zakończyć cykl prania, należy przycisnąć przycisk START/RESET; - aby wykonać tylko opróżnienie z wody, ustawić pokrętko na odpowiednim symbolu i przycisnąć przycisk START/RESET.	Wszystkie poza 1, 2, 9, 10, Opróżnianie z wody.
Pranie błyskawiczne 	Zmniejsza o około 30% czas trwania cyklu prania.	Funkcji tej nie można nastawić razem z funkcją SUPER WASH.	1, 2, 3, 4, 5, 6, 7, 8 Płukanie
Płukanie dodatkowe 	Zwiększa skuteczność płukania.	Zaleca się stosowanie tej opcji przy pralce załadowanej do pełna lub przy dużej ilości użytego środka piorącego.	1, 2, 3, 4, 5, 8, Płukania.

PL

Instalacja

Opis

Programy

Środki piorące

Zasady ostrożności

Konserwacja

Nieprawidłowości w działaniu

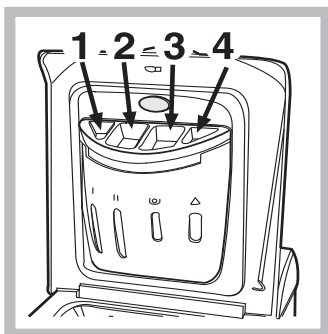
Serwis techniczny

Środki piorące i bielizna

PL

Szufladka na środki piorące

Dobre rezultaty prania zależą również od właściwego dozowania środka piorącego: wysypując go za dużo, wcale nie poprawia się wydajności



prania, lecz przyczynia się do odkładania się nalotów na wewnętrznych częściach pralki i do zanieczyszczenia środowiska.

Wysunąć szufladkę i wsypać do niej środki piorące i dodatkowe w następujący sposób

przegródka 1: Środek piorący do prania wstępnego (w proszku)

przegródka 2: Środek piorący (w proszku lub w płynie)

Środek piorący w płynie należy włożyć bezpośrednio do bębna z zastosowaniem odpowiedniej kulki dozującej.

przegródka 3: Środki dodatkowe (zmiękczające, itp.)

Kiedy wlewa się środek zmiękczający do przegrodki 3, to należy zwrócić uwagę, aby nie przekroczyć oznaczonego poziomu "max". Środek zmiękczający jest automatycznie dodawany do wody podczas ostatniego płukania. Na zakończenie tego programu prania w przegrodce 3 pozostaje reszta wody. Służy ona dla skoncentrowanych środków zmiękczających, to znaczy do ich rozprowadzenia z wodą. Jeśli w przegrodce 3 pozostało więcej wody niż zwykle, oznacza to, że urządzenie dozujące jest zatkane. Jak je wyczyścić patrz strona 22.



przegródka 4: Wybielacz

! Nie używać środków do prania ręcznego, ponieważ tworzą za dużo piany.

Cykl wybielania

Tradycyjnego wybielacza używa się do białych tkanin wytrzymałych, **delikatnego** - do tkanin kolorowych, syntetycznych i do wełny. Przy wlewaniu wybielacza nie należy przekroczyć poziomu „max” wskazanego na środkowej ośce (zobacz rysunek).

Aby przeprowadzić tylko samo wybielanie, należy wlać wybielacz do pojemniczka dodatkowego 4 i

nastawić program Płukanie  (dla tkanin bawełnianych) lub Płukanie delikatne  (dla tkanin syntetycznych).

Przygotowanie bielizny

- Podzielić bieliznę do prania według:
 - rodzaju tkaniny / symbolu na etykietce.
 - kolorów: oddzielić bieliznę kolorową od białej.
- Opróżnić kieszenie i sprawdzić guziki.
- Nie przekraczać wskazanego ciężaru bielizny suchej:
 - Tkaniny wytrzymałe: max 5 kg
 - Tkaniny syntetyczne: max 2,5 kg
 - Tkaniny delikatne: max 2 kg
 - Wełna: max 1 kg

Ile waży bielizna?

- 1 prześcieradło 400-500 gr.
- 1 powłoczka na poduszkę 150-200 gr.
- 1 obrus 400-500 gr.
- 1 szlafrok 900-1.200 gr.
- 1 ręcznik 150-250 gr.

Tkaniny wymagające szczególnej dbałości

Firanki: włożyć je złożone do poszewki lub do siatkowatego worka. Prać same, nie przekraczając połowy załadunku. Stosować program 11, który automatycznie wyklucza wirowanie.


Poduszki i kurtki: Jeśli wypełnione są one pierzem gęsim lub kaczym, można je prać w pralce. Wywrócić na lewą stronę i załadować nie więcej niż 2-3 kg; powtórzyć płukania jeden lub dwa razy i stosować delikatne odwirowanie.

Tenisówki: oczyścić z błota. Można je prać razem z dżinsami i bielizną wytrzymałą, lecz nie białą.

Wełna: Aby uzyskać dobre rezultaty prania, należy stosować specjalny środek piorący i nie przekraczać 1 kg załadunku.

Woolmark Platinum Care (Kaszmir Platinum)

Program delikatny jak pranie ręczne.

 Ariston wprowadził nowy standard prania o doskonałych rezultatach, który zdobył sobie uznanie Stowarzyszenia Czystej Żywej Wełny (The Woolmark Company) przez przyznanie prestiżowej marki Woolmark Platinum Care. Jeśli na Waszej pralce znajduje się znak firmowy Woolmark Platinum Care, można w niej prać, uzyskując doskonałe rezultaty, ubrania wełniane z etykietką "Prać ręcznie" (M.00221):



Nastawić program 10 dla wszystkich ubrań noszących etykietkę "Prać ręcznie", stosując specjalne środki piorące.

Zalecenia i środki ostrożności



! Pralka została zaprojektowana i wyprodukowana zgodnie z międzynarodowymi przepisami bezpieczeństwa. Podajemy Wam poniższe zalecenia, mając na względzie Wasze bezpieczeństwo, i powiniście je uważnie przeczytać.

Ogólne zasady bezpieczeństwa

- Pralki powinny używać wyłącznie osoby dorosłe i w sposób zgodny z podanymi w niniejszej książeczce instrukcjami.
- Nie dotykać pralki, stojąc przy niej boso lub mając ręce czy stopy mokre lub wilgotne.
- Nie wyjmować wtyczki z gniazdka, ciągnąc za kabel, lecz trzymając za wtyczkę.
- Nie otwierać szufladki na środki piorące w trakcie prania.
- Nie dotykać usuwanej wody, gdyż może być ona bardzo gorąca.
- W żadnym wypadku nie otwierać drzwiczek pralki na siłę: mógłby bowiem ulec uszkodzeniu mechanizm zabezpieczający drzwiczki przed przypadkowym otwarciem.
- W razie usterek nie należy w żadnym wypadku próbować dostać się do wewnętrznych części pralki, próbując samemu ją naprawić.
- Skontrolować zawsze, by dzieci nie zbliżyły się do pracującej pralki.
- W czasie prania okragłe drzwiczki pralki rozgrzewają się.
- Jeśli trzeba przenieść pralkę w inne miejsce, należy to robić bardzo ostrożnie w kilka osób. Nigdy nie należy tego robić samemu, gdyż pralka jest bardzo ciężka.
- Przed włożeniem bielizny sprawdzić, czy bęben jest pusty.

Usuwanie odpadów

- **Pozbywanie się starych urządzeń elektrycznych.**

Europejska Dyrektywa 2002/96/EC dotycząca Zużytych Elektrycznych i Elektronicznych Urządzeń (WEEE) zakłada zakaz pozbywania się starych urządzeń domowego użytku jako nieposortowanych śmieci komunalnych. Zużyte urządzenia muszą być osobno zbierane i sortowane w celu zoptymalizowania odzyskania oraz ponownego przetworzenia pewnych komponentów i materiałów. Pozwala to ograniczyć zanieczyszczenie środowiska i pozytywnie wpływa na ludzkie zdrowie. Przekreślony symbol „kosza”

umieszczony na produkcie przypomina klientowi o obowiązku specjalnego sortowania.

Konsumenci powinni kontaktować się z władzami lokalnymi lub sprzedawcą w celu uzyskania informacji dotyczących postępowania z ich zużytymi urządzeniami gospodarstwa domowego.

- Pozbycie się starej pralki: przed oddaniem jej na złom należy ją uniezdadnić do użytku odcinając kabel elektryczny i wyjmując drzwiczki.

Oszczędność i ochrona środowiska

Technologia w służbie środowiska

Jeśli przez okragłe drzwiczki pralki widać w czasie prania mało wody, to dlatego, że przy nowej technologii Ariston wystarcza mniej niż połowa wody do uzyskania maksymalnych rezultatów prania: został w ten sposób osiągnięty jeden z celów ochrony środowiska.

Oszczędność środka piorącego, wody, energii i czasu

- Aby nie trwonić zasobów, należy używać pralki załadowanej do pełna. Jedno załadowane do pełna pranie, zamiast dwóch załadowanych do połowy, pozwala na zaoszczędzenie aż do 50% energii.
- Pranie wstępne konieczne jest tylko w przypadku bielizny bardzo brudnej. Unikanie prania wstępnego pozwala na zaoszczędzenie środka piorącego; czasu, wody oraz od 5 do 15% energii.
- Wywabiając plamy odplamiaczem i pozostawiając bieliznę namoczoną w wodzie przed praniem, można zredukować temperaturę prania. Stosując program 60°C zamiast 90°C lub program 40°C zamiast 60°C, można zaoszczędzić aż do 50% energii.
- Dokładne dozowanie środka piorącego w zależności od twardości wody, stopnia zabrudzenia i ilości bielizny pozwala uniknąć jego trwonienia i wychodzi na korzyść środowisku: środki piorące, mimo że ulegają biodegradacji, zawsze zawierają jednak składniki, które zakłócają środowisko naturalne. Należy również unikać, gdy jest to możliwe, środka zmiękczającego.
- Dokonując prania późnym popołudniem i wieczorem, aż do wczesnych godzin rannych, przyczynia się do zmniejszenia obciążenia energetycznego elektrowni. Opcja Delay Timer (zobacz str. 19) pomaga przy takim zaprogramowaniu prania w czasie.
- Jeśli bielizna ma być wysuszona w suszarce, należy wybrać wysoką szybkość odwirowania. Dobrze odwirowana z wody bielizna pozwala na zaoszczędzenie czasu i energii przy suszeniu.

PL

Instalacja

Opis

Programy

Środki piorące

Zasady ostrożności

Konserwacja

Nieprawidłowości w działaniu

Serwis techniczny

Konserwacja

PL

Wyłączenie wody i prądu elektrycznego

- Zamknąć kurek dopływu wody po każdym praniu. Zmniejsza się w ten sposób zużycie instalacji hydraulicznej pralki oraz niebezpieczeństwo przecieków.
- Wyjąć wtyczkę z kontaktu przed przystąpieniem do czyszczenia pralki oraz czynności konserwacyjnych.

Czyszczenie pralki

Obudowę zewnętrzną i gumowe części pralki należy myć wilgotną ściereczką zmoczoną w wodzie z mydłem. Nie stosować rozpuszczalników ani ostrych i ściernych środków czyszczących.

Czyszczenie szufladki na środki piorące

Wysunąć szufladkę, unosząc ją lekko ku górze i wyciągając na zewnątrz (zobacz rysunek). Wypłukać ją pod bieżącą wodą. Czynność tę należy powtarzać stosunkowo często.

Czyszczenie drzwiczek i bębna

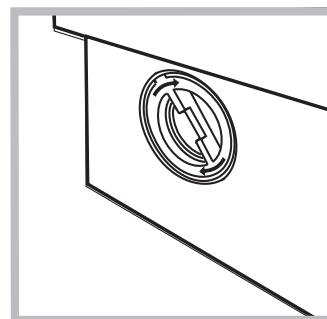
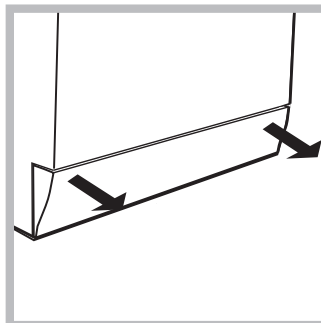
- Należy zawsze pozostawiać uchylone drzwiczki pralki, aby zapobiec tworzeniu się przykrych zapachów.

Czyszczenie pompy

Pralka wyposażona jest w pompę samooczyszczającą, która nie wymaga zabiegów konserwacyjnych. Może się jednak zdarzyć, że małe przedmioty (monety, guziki) wpadną do przedsionka ochronnego pompy, znajdującego się w jej dolnej części.

! Upewnić się, by cykl prania był zakończony i by wtyczka była wyjęta z gniazdka.

Aby odzyskać ewentualne przedmioty, które upadły do wstępnej komory:



1. Odczepić dolny cokół w przedniej części pralki pociągając rękoma jej boczne końce (patrz rysunek);
2. odkręcić przykrywkę, obracając ją w kierunku przeciwnym do ruchu wskazówek zegara (zobacz rysunek): fakt, że wypłynie trochę wody, jest zjawiskiem normalnym;
3. dokładnie wyczyścić wnętrze;
4. ponownie przykręcić przykrywkę;
5. ponownie przymocować panel, pamiętając o wsunięciu zaczepów w odpowiednie otwory

przed dopchnięciem go do urządzenia.

Kontrola rury doprowadzania wody

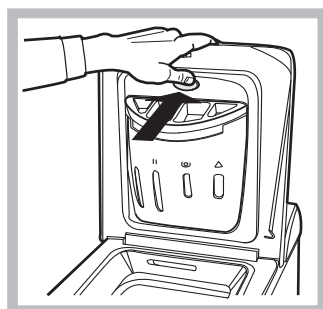
Przynajmniej raz do roku należy skontrolować rurę doprowadzania wody. Jeśli widoczne są na niej rysy i pęknięcia, należy ją wymienić: w trakcie prania duże ciśnienie może bowiem spowodować jej nagłe zerwanie się.

! Nigdy nie instalować rur używanych.

Jak czyścić szufladkę środków piorących

Wymontowanie:

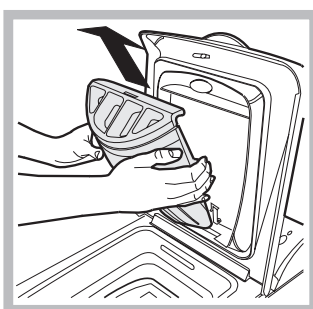
Lekko przycisnąć duży przycisk w przedniej części szufladki środków piorących i pociągnąć ją do góry (Rys.1).



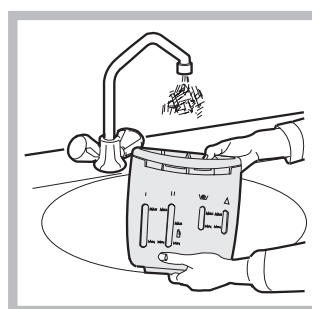
Ris. 1

Czyszczenie:

Wymyć szufladkę pod bieżącą wodą (Rys.3), pomagając sobie starą szczoteczką do zębów i po wyjęciu pary syfonków znajdujących się w górnej części przegródek 1 i 2 (Rys.4), sprawdzić, czy nie są one zatkane i wypłukać je.



Ris. 2

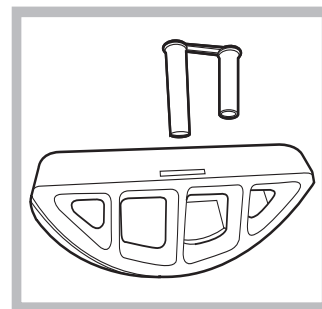


Ris. 3

Ponowne zamontowanie:

zamontowanie:

Po włożeniu pary syfonków, wstaw szufladkę na swoje miejsce, zaczepiając ją (Rys. 4, 2, 1).



Ris. 4


Może się zdarzyć, że pralka nie działa. Zanim wezwie się Serwis Techniczny (zobacz str. 24) należy sprawdzić, czy problemu tego nie da się łatwo rozwiązać samemu, pomagając sobie poniższym wykazem.

Nieprawidłowości w działaniu: **Możliwe przyczyny/Porady:**

Pralka się nie włącza.

- Wtyczka nie jest włączona do gniazdka, lub jest wsunięta niedostatecznie, tak że nie ma kontaktu.
- W domu brak jest prądu.

Cykl prania nie zaczyna się.

- Drzwiczki nie są dobrze zamknięte (lampka Pokrywa Zablokowana miga).
- Nie został przyciśnięty przycisk .
- Nie został przyciśnięty przycisk START/RESET.
- Kurek dopływu wody jest zamknięty.

Pralka nie pobiera wody.

- Rura pobierania wody nie jest podłączona do kurka.
- Rura jest zgięta.
- Kurek dopływu wody jest zamknięty.
- W domu brak jest wody.
- Ciśnienie wody nie jest wystarczające.
- Nie został przyciśnięty przycisk START/RESET.

Pralka pobiera i usuwa wodę bez przerwy.

- Rura usuwania wody nie została zainstalowana na wysokości od 65 do 100 cm od podłogi (zobacz str. 15).
- Końcówka rury usuwania wody jest zanurzona w wodzie (zobacz str. 15).
- Usuwanie wody bezpośrednio w ścianie nie posiada odpowietrznika. Jeśli po skontrolowaniu tych pozycji nieprawidłowość nadal się utrzymuje, należy zamknąć kurek dopływu wody, wyłączyć pralkę i wezwać Serwis Techniczny. Jeśli mieszkanie znajduje się na najwyższych piętrach budynku, może zaistnieć efekt "syfonu", w wyniku czego pralka nieustannie pobiera i usuwa wodę. W celu wyeliminowania tej niedogodności w handlu dostępne są specjalne zawory.

Pralka nie usuwa wody i nie odwirowuje.

- Program nie przewiduje usuwania wody: przy niektórych programach należy uruchomić je manualnie (zobacz str. 18).
- Została nastawiona funkcja Łatwiej prasować: aby zakończyć program, należy przycisnąć przycisk START/RESET (zobacz str. 19).
- Rura usuwania wody jest zgięta (zobacz str. 15).
- Rura usuwania wody jest zatkana.

Pralka mocno wibruje w fazie odwirowywania.

- Bęben, w chwili instalacji pralki, nie został odpowiednio odblokowany (zobacz str. 14).
- Pralka nie jest ustawiona dokładnie w poziomie (zobacz str. 14).
- Pralka jest wciśnięta między meble i ścianę (zobacz str. 14).

Z pralki wycieka woda.

- Rura doprowadzania wody nie jest dobrze przykręcona (zobacz str. 14).
- Szufładka na środki piorące jest zatkana (aby ją oczyścić, zobacz str. 22).
- Rura usuwania wody nie jest dobrze przymocowana (zobacz str. 15).

Wskaźnik WŁĄCZENIE/ ZABLOKOWANE DRZWICZKI zacznie szybko migotać razem z conajmniej jednym innym światłem sygnalizacyjnym.

- Wezwać Serwis Techniczny, gdyż wskazuje to na nieprawidłowe działanie pralki.

Tworzy się zbyt wiele piany.

- Środek piorący nie jest odpowiedni do pralek automatycznych (na opakowaniu musi być napisane: "do pralek", "do prania ręcznego i pralek" lub podobne).
- Użyto za dużo środka piorącego.

PL

Instalacja

Opis

Programy

Środki piorące

Zasady ostrożności

Konserwacja

Nieprawidłowości w działaniu

Serwis techniczny

Serwis Techniczny

PL

Przed zwróceniem się do Serwisu Technicznego:

- Sprawdzić, czy problemu nie można rozwiązać samemu (*zobacz str. 23*);
 - Ponownie nastawić program i sprawdzić, czy problem został rozwiązany;
 - W przypadku negatywnym skontaktować się z upoważnionym ośrodkiem Serwisu Technicznego pod numerem podanym na karcie gwarancyjnej.
- ! Nigdy nie zwracać się do nieupoważnionych techników.

Należy podać:

- rodzaj defektu;
- model urządzenia (Mod.);
- numer seryjny (S/N).

Informacje te znajdują się na przymocowanej z tyłu pralki tabliczce znamionowej.

CIS

РУССКИЙ

AVTL 104

Содержание

Установка, 26-27

Распаковка и выравнивание, 26
Подключение к водопроводной и электрической сети, 26-27
Пробный цикл стирки, 27
Технические характеристики, 27

Описание стиральной машины, 28-29

Панель управления, 28
Как открыть и закрыть барабан, 29
Индикаторы, 29

Запуск машины. Программы, 30

Краткие инструкции: Порядок запуска программы, 30
Таблица программ, 30

Персонализация стирки, 31

Выбор температуры, 31
Выбор скорости отжима, 31
Функции, 31

Моющие средства и белье, 32

Распределитель моющих средств, 32
Цикл отбеливания, 32
Подготовка белья, 32
Особенности стирки отдельных изделий, 32
Woolmark Platinum Care (Программа «Золотой кашемир»), 32

Предупреждения и рекомендации, 33

Общие правила безопасности, 33
Утилизация, 33
Экономия и охрана окружающей среды, 33

Обслуживание и уход, 34

Отключение воды и электричества, 34
Уход за стиральной машиной, 34
Уход за дверцей машины и барабаном, 34
Как чистить распределитель моющих средств, 34
Чистка насоса, 34
Проверка заливного шланга, 34

Устранение неисправностей, 35

Сервисное обслуживание, 36



ARISTON

Установка

CIS

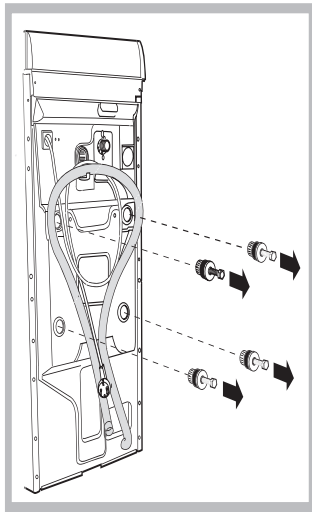
! Сохраните данное руководство. Оно должно быть в комплекте со стиральной машиной в случае продажи, передачи оборудования или при переезде на новую квартиру, чтобы новый владелец оборудования мог ознакомиться с правилами его функционирования и обслуживания.

! Внимательно прочитайте руководство: в нем содержатся важные сведения по установке и безопасной эксплуатации стиральной машины.

Распаковка и выравнивание

Распаковка

1. Распакуйте стиральную машину.
2. Убедитесь, что оборудование не было повреждено во время транспортировки. При обнаружении повреждений – не подключайте машину – свяжитесь с поставщиком немедленно.



3. Удалите четыре транспортировочных винта и резиновые пробки с прокладками, расположенные в задней части стиральной машины (см. рис.).

4. Закройте отверстия прилегающими пластиковыми заглушками.

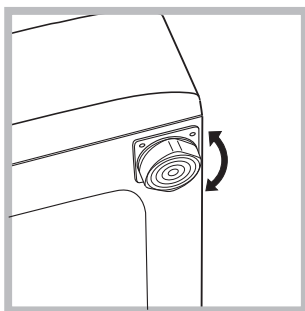
5. Сохраняйте все детали: они Вам понадобятся при

последующей транспортировке стиральной машины.

болты, резиновые шайбы и большую металлическую поперечную планку. Закройте образовавшиеся отверстия пластмассовыми заглушками.

! Не разрешайте детям играть с упаковочными материалами.

Выравнивание



1. Установите стиральную машину на ровном и прочном полу, так чтобы она не касалась стен, мебели и прочих предметов.

2. После установки машины на место отрегулируйте ее устойчивое положение путем вращения передних ножек (см. рис.). Для этого

сначала ослабьте контргайку, после завершения регулировки контргайку затяните.

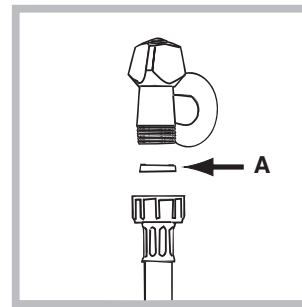
После установки машины на место проверьте по уровню горизонтальность верхней крышки корпуса, отклонение горизонтали должно быть не более 2°.

Правильное выравнивание оборудования поможет избежать шума, вибраций и смещений во время работы машины.

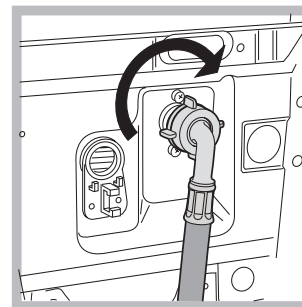
Если стиральная машина стоит на полу, покрытом ковром, убедитесь, что ее основание возвышается над ковром. В противном случае вентиляция будет затруднена или вовсе невозможна.

Подключение к водопроводной и электрической сети

Подсоединение заливного шланга



1. Вставьте прокладку А в конец заливного шланга и наверните его на вывод водопровода холодной воды с резьбовым отверстием 3/4 дюйма (см. рис.). Перед подсоединением откройте водопроводный кран и дайте стечь грязной воде.



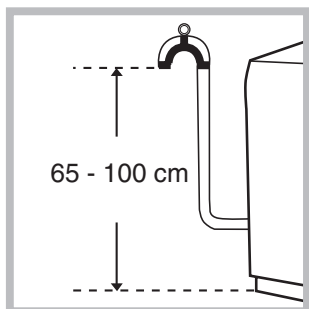
2. Подсоедините заливной шланг к стиральной машине, навинтив его на водоприемник, расположенный в задней верхней части справа (см. рис.).

3. Убедитесь, что шланг не перекручен и не пережат.

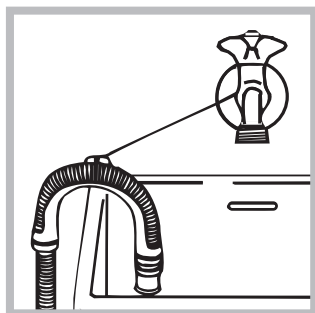
! Давление воды должно быть в пределах значений, указанных в таблице Технических характеристик (см. с. 3).

! Если длина водопроводного шланга окажется недостаточной, обратитесь в Авторизованный Сервисный центр.

Подсоединение сливного шланга



Повесьте загнутый конец сливного шланга на край раковины, ванны, или поместите в специальный вывод канализации. Шланг не должен перегибаться. Верхняя точка сливного шланга должна находиться на высоте 65-100 см от пола. Расположение сливного шланга должно обеспечивать разрыв струи при сливе (конец шланга не должен быть опущен в воду).



В случае крепления на край ванной или раковины, шланг вешается с помощью направляющей (входит в комплект поставки), которая крепится к крану (рис.).

! Не рекомендуется применение удлинителей для сливного шланга, при необходимости допускается его наращивание шлангом такого же диаметра и длиной не более 150 см.

Подсоединение к электросети

Внимание! Оборудование обязательно должно быть заземлено!

1. Машина подключается к электрической сети при помощи двухполюсной розетки с заземляющим контактом (розетка не поставляется с машиной). Фазный провод должен быть подключен через автомат защиты сети, рассчитанный на максимальный ток (ток срабатывания) 16 А, и имеющий время срабатывания не более 0,1 с.
2. При наличии вблизи от предполагаемого места установки машины розетки с заземляющим контактом, имеющей трехпроводную подводку кабеля с медными жилами сечением не менее 1,5 кв. мм (или алюминиевыми жилами сечением не менее 2,5 кв. мм), доработка электросети не производится. При отсутствии указанной розетки и проводки следует провести их монтаж.
3. Прокладка заземления отдельным проводом не допускается.
4. Для доработки электрической сети рекомендуется применять провод типа ППВ 3x1,5 380 ГОСТ 6223-79. Допускается применение других марок кабеля, обеспечивающих пожаро- и электробезопасность при эксплуатации машины.

Перед включением машины в сеть убедитесь, что:

- розетка и проводка соответствуют требованиям, изложенным в данном разделе инструкции;
- напряжение и частота тока сети соответствуют данным машины;
- розетка и вилка одного типа;

- розетка заземлена в соответствии с нормами безопасности, описанными в данном разделе инструкции (допускается организация заземления рабочим нулем, при условии, что защитная линия не имеет разрыва и подключена напрямую в обвод каких-либо приборов (например, электрического счетчика).

Если вилка не подходит к розетке, ее следует заменить на новую, соответствующую розетке, или заменить питающий кабель. Замена кабеля должна производиться только квалифицированным персоналом.


Запрещается использование переходников, двойных и более розеток и удлинителей (они создают опасность возгорания). Если Вы считаете их использование необходимым, применяйте один единственный удлинитель, удовлетворяющий требованиям безопасности.

Оборудование, подключенное с нарушением требований безопасности бытовых приборов большой мощности, изложенных в данной инструкции, является потенциально опасным.

Производитель не несет ответственности за ущерб здоровью и собственности, если он вызван несоблюдением указанных норм установки.

Первый цикл стирки

По завершении установки, перед началом эксплуатации необходимо произвести один цикл стирки со стиральным порошком, но без белья, по программе 90°C без предварительной стирки.

Технические характеристики	
Модель	AVTL 104
Размеры	ширина 40 см высота 85 см глубина 60 см
Загрузка	1 - 5 кг
Электрические параметры	напряжение 220/230 В 50 Гц тах мощность 1850 Ватт
Гидравлические параметры	тах давление 1 Мпа (10 бар) min давление 0,05 Мпа (0,5 бар) объем барабана 42 л
Скорость отжима	до 1000 об/мин
Контрольные программы согласно нормативу IEC 456	программа 3; температура 60°C; при загрузке до 5 кг.
	Машина соответствует следующим Директивам Европейского Экономического сообщества: - 73/223/ЕЕС от 19.02.73 (низкого напряжения) и последующие модификации - 89/336 /ЕЕС от 03.05.89 (электромагнитной совместимости) и последующие модификации

CIS

Установка

Описание

Программы

Моющие средства

Меры безопасности

Обслуживание и уход

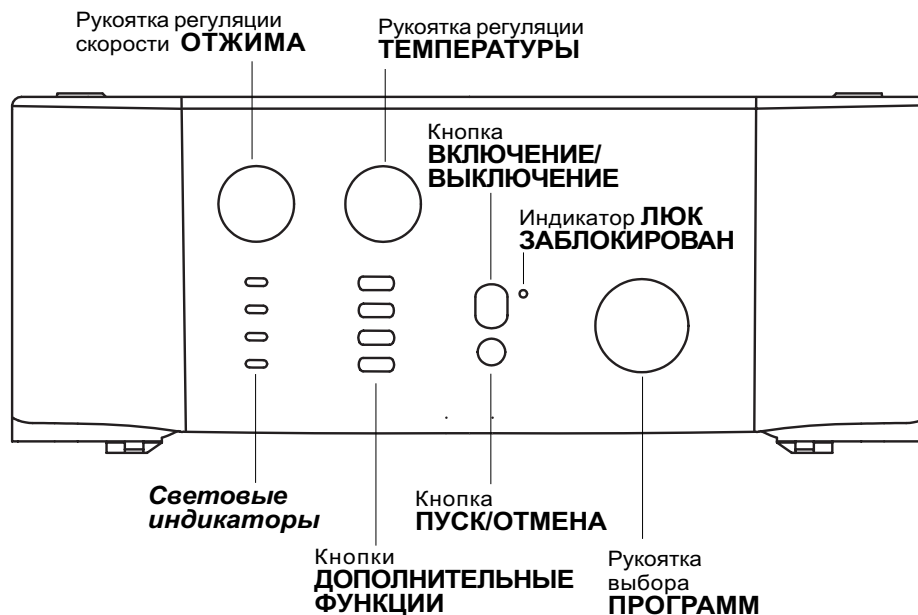
Неисправности

Сервис

Описание стиральной машины

CIS

Панель управления



Ячейка для стирального порошка, наполняемая стиральным порошком и добавками (смотреть стр. 32).

Световые индикаторы служат для контроля за выполнением программы стирки.

Если была включена функция Таймер задержки, индикаторы показывают время, остающееся до запуска программы (смотреть стр. 29).

Рукоятка **ОТЖИМ** служит для регуляции скорости отжима или для его исключения (смотреть стр. 31).

Кнопки **ДОПОЛНИТЕЛЬНЫЕ ФУНКЦИИ** служат для подключения имеющихся дополнительных функций. Кнопка выбранной функции останется включенной.

Рукоятка **ТЕМПЕРАТУРА** служит для регуляции температуры или для стирки в холодной воде (смотреть стр. 31).

Кнопка **ВКЛЮЧЕНИЕ/ВЫКЛЮЧЕНИЕ** служит для включения и выключения стиральной машины.

Кнопка **ПУСК/ОТМЕНА** служит для запуска программ или для отмены ошибочного программирования.

Индикатор **ВКЛЮЧЕНИЕ/ЛЮК ЗАБЛОКИРОВАН** мигает, когда стиральная машина включена, и горит, не мигая, если люк не заблокирован (смотреть стр. 29).

Рукоятка выбора **ПРОГРАММ** служит для выбора программ (смотреть стр. 30).

В процессе выполнения программы рукоятка остается неподвижной.

☞○ Индикатор **ВКЛЮЧЕНИЕ/ЛЮК ЗАБЛОКИРОВАН**:

Горящий индикатор означает, что люк заблокирован во избежание его случайного открывания. во избежание повреждений перед тем как открыть люк, необходимо дождаться, когда замигает индикатор.

! Частое мигание индикатора **ВКЛЮЧЕНИЕ/ЛЮК ЗАБЛОКИРОВАН** одновременно с любым другим индикатором означает неисправность. Обратитесь в Центр Технического Обслуживания.

Как открыть и закрыть барабан

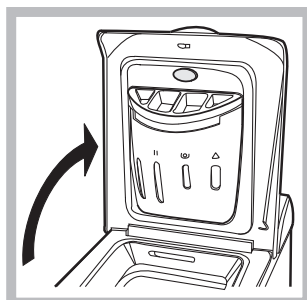


Fig. 1

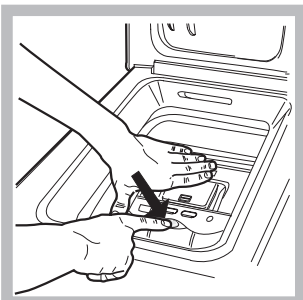


Fig. 2

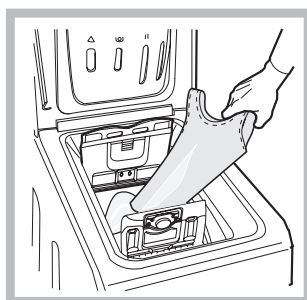


Fig. 3

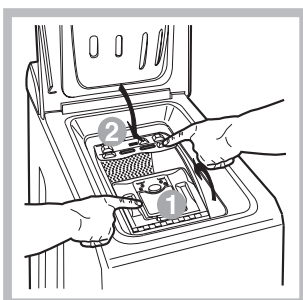


Fig. 4

Индикаторы

Индикаторы сообщают пользователю важные сведения.

Значение индикаторов:

Текущая фаза цикла:

В процессе цикла стирки индикаторы будут загораться один за другим, показывая фазу выполнения программы:

- Предварительная стирка
- Стирка
- Полоскание
- Отжим

Примечание: в процессе слива загорится индикатор, соответствующий циклу Отжима.

А) ОТКРЫВАНИЕ (рис. 1).

Поднимите внешнюю крышку и полностью ее откройте.

Б) Затем, используя обе руки, откройте барабан, как показано на рис. 2:

- Нажмите кнопку, обозначенную стрелкой на рис. 2, слегка вниз,
- другой рукой придерживая дверцы (так вы избежите внезапного открывания дверок и защемления пальцев);
- дверцы расцепятся и легко откроются.

В) ЗАГРУЗКА СТИРАЛЬНОЙ МАШИНЫ (рис. 3).

Г) ЗАКРЫВАНИЕ (рис. 4).

- закройте полностью барабан, опуская сначала переднюю дверцу, а затем заднюю;
- затем удостоверьтесь, что крюки передней дверцы точно вошли в предназначенные места на задней дверце;
- после того, как крюки защелкнулись, нажмите обе дверцы слегка вниз, чтобы убедиться они закрыты плотно;
- и, наконец, закройте внешнюю крышку.

Кнопки выбора функции

КНОПКИ ВЫБОРА ФУНКЦИИ также являются индикаторами.

При выборе функции загорается соответствующая кнопка.

Если выбранная функция является несовместимой с заданной программой, кнопка будет мигать, и такая функция не будет активирована.

Если будет выбрана функция, несовместимая с другой, ранее выбранной функцией, останется включенной только последняя выбранная функция.

CIS

Установка

Описание

Программы

Моющие средства

Меры безопасности

Обслуживание и уход


Неисправности

Сервис

Запуск машины. Программы

CIS

Краткие инструкции: Порядок запуска программы

1. Включите стиральную машину, нажав на кнопку . Все индикаторы загорятся на несколько секунд, затем погаснут, и индикатор ВКЛЮЧЕНИЕ/ЛЮК ЗАБЛОКИРОВАН начнет мигать.
2. Загрузите белье в барабан, засыпьте стиральное вещество и добавки (смотрите стр. 32), закройте крышки барабана и внешний люк.
3. Выбрать при помощи рукоятки выбора ПРОГРАММ

нужную программу.





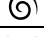
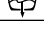
4. Выбрать температуру стирки (см. стр. 31).
5. Выбрать скорость отжима (см. стр. 31).
6. Запустите программу, нажав кнопку ПУСК/СБРОС (Start/Reset).
Для отмены запуска держите нажатой кнопку ПУСК/СБРОС (Start/Reset) в течение 2-х секунд.
7. По завершении программы индикатор ВКЛЮЧЕНИЕ/ЛЮК ЗАБЛОКИРОВАН замигает, сигнализируя, что можно открыть люк. Вынуть белье и оставить люк полуоткрытым для сушки барабана. Выключить стиральную машину, нажав кнопку .

Таблица программ

Ткань и степень загрязнения	Программа	Температура	Моющее средство		Смягчитель	тбеливание (Функция)/Отбеливатель	Длительность цикла, мин	Описание цикла стирки
			предв. стирка	основная стирка				
Хлопок								
сильным загрязнением Очень сильно загрязненное белое белье (простыни, скатерти и т.д.)	1	90°C	•	•	•		137	Предварительная стирка, стирка при высокой температуре, полоскание, промежуточный и окончательный отжим
Очень сильно загрязненное белое белье (простыни, скатерти и т.д.)	2	90°C		•	•	Деликат./Обычный	129	Стирка при высокой температуре, полоскание, промежуточный и окончательный отжим
Сильно загрязненное белое и прочно окрашенное цветное белье	3	60°C		•	•	Деликат./Обычный	144	Стирка при 60°C, полоскание, промежуточный и окончательный отжим
Слабо загрязненное белое и линяющее цветное белье (рубашки, маки и пр.)	4	40°C		•	•	Деликат./Обычный	78	Стирка при 40°C, полоскание, промежуточный и окончательный отжим
Слабо загрязненное линяющее цветное белье	5	30°C		•	•	Деликат./Обычный	70	Стирка при 30°C, полоскание, промежуточный и окончательный отжим
Синтетика								
Сильно загрязненная, прочно окрашенная цветная (детская одежда и пр.)	6	60°C		•	•	Деликатн.	79	Стирка при 60°C, полоскание, остановка с водой или деликатный отжим
Сильно загрязненная, прочно окрашенная цветная (детская одежда и пр.)	7	50°C		•	•	Деликатн.	75	Стирка при 50°C, полоскание, остановка с водой или деликатный отжим
Слабо загрязненная, деликатная цветная (любая одежда)	8	40°C		•	•	Деликатн.	65	Стирка при 40°C, полоскание, остановка с водой или деликатный отжим
Слабо загрязненная, деликатная цветная (любая одежда)	9	30°C		•	•		30	Стирка при 30°C, полоскание и деликатный отжим
Деликатные ткани								
Шерсть	10	40°C		•	•	Деликатн.	45	Стирка при 40°C, полоскание и деликатный отжим
Особо деликатные ткани и одежда (занавеси, шелк, вискоза и пр.)	11	30°C		•	•		52	Стирка при 30°C, полоскание, остановка с водой или слив
ЧАСТИЧНЫЕ ПРОГРАММЫ								
Полоскание					•			Полоскание и отжим
Деликатное полоскание					•			Полоскание, остановка с водой или слив
Отжим								Слив и сильный отжим
Деликатный отжим								Слив и деликатный отжим
Слив								Слив

Примечание

«Остановка с водой»: см. дополнительную функцию «Легкая глажка» на с. 31. Данные в таблице, являются справочными и могут меняться в зависимости от конкретных условий стирки (объем стирки, температура воды в водопроводной системе, температура в помещении и др.).

Специальная программа

Повседневная стирка 30' мин (программа 9 для Синтетических тканей) предназначена для быстрой стирки слабозагрязненного белья: цикл длится всего 30 минут, что позволяет сэкономить время и электроэнергию. Установив эту программу (9 при температуре 30°C), Вы можете стирать различные виды тканей вместе (за исключением шерсти и шелка) при максимальной загрузке белья 3 кг. Мы рекомендуем использовать жидкое моющее средство.

Выбор температуры

Выбор температуры стирки производится при помощи рукоятки ТЕМПЕРАТУРА (см. Таблицу программ на стр. 30).

Значение температуры может быть уменьшено вплоть до стирки в холодной воде .

Выбор скорости отжима

Выбор скорости отжима выбранной программы производится при помощи рукоятки ОТЖИМ.

Для разных программ предусматривается разная максимальная скорость отжима:

Программы	Максимальная скорость отжима
Хлопок	1000 оборотов в минуту
Синтетика	800 оборотов в минуту
Шерсть	600 оборотов в минуту
Шелк	без отжима

Скорость отжима может быть уменьшена или же можно совсем исключить отжим, повернув рукоятку в положение .

Машина автоматически не допускает установку скорости отжима, превышающую максимальную скорость, предусмотренную для каждой программы.

Функции

Различные функции стирки машины позволяют достичь желаемой чистоты и белизны вашего белья. Порядок выбора функций:

1. нажать кнопку нужной функции в соответствии с приведенной ниже таблицей;
2. включение соответствующей кнопки означает, что функция активирована.

Примечание: Частое мигание кнопки означает, что данная функция не может быть активирована для заданной программы.

Функции	Назначение	Использование	Доступна с программами:
Супер стирка 	Позволяет получить безупречно чистое белье, заметно более белое по сравнению со стандартом <i>Класса А</i> .	Опция не используется с функцией «БЫСТРАЯ СТИРКА».	1, 2, 3, 4 5, 6, 7, 8
Легкая глажка 	Уменьшение степени сминаемости тканей, облегчение последующего глажения.	При выборе этой функции программы 6, 7, 8, 11 прерываются без слива воды (остановка с водой) и сигнальная лампочка фазы Ополаскивания мигает: – Чтобы завершить цикл, нажмите кнопку ПУСК/СБРОС (Start/Resert). – Чтобы закончить программу сливом установите рукоятку программатора на соответствующий символ и нажмите кнопку ПУСК/СБРОС (Start/Resert).	Все программы кроме 1, 2, 9, 10 Слив.
Быстрая стирка 	Сокращает продолжительность цикла стирки примерно на 30%.	Опция не используется с функцией «СУПЕР СТИРКА».	1, 2, 3, 4 5, 6, 7, 8 Полоскание.
Дополнительное полоскание 	Повышает эффективность полоскания.	Применение этой функции рекомендуется при полной загрузке машины или при использовании большого количества моющего средства.	1, 2, 3, 4, 5, 6, 7, 8, Полоскание.

CIS

Установка

Описание

Программы

Моющие средства

Меры безопасности

Обслуживание и уход

Неисправности

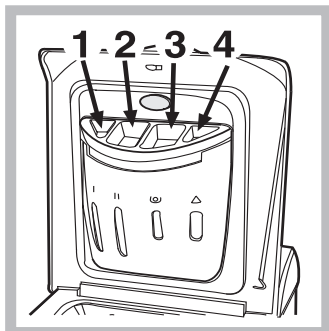
Сервис

Моющие средства и белье

CIS

Распределитель моющих средств

Хороший результат стирки зависит также от правильной дозировки моющего средства: его избыток не гарантирует более эффективную стирку, напротив может привести к образованию налетов внутри машины и загрязнению окружающей среды.



Выдвиньте распределитель и заполните его отделения моющим средством и смягчителем:

Отделение 1: моющее средство для предварительной стирки (порошок)

ячейка 2: Стиральное вещество (порошок или жидкость)

Жидкое стиральное вещество следует помещать непосредственно в барабан в специальном круглом пластмассовом дозаторе.

ячейка 3: Добавки (ополаскиватель и т.д.)



Когда вы наливаете ополаскиватель в ячейку 3, обращайте внимание, чтобы не превысить максимальный уровень, указанный отметкой «max».

Ополаскиватель автоматически подается в барабан в процессе последнего ополаскивания. По завершении программы стирки в ячейке 3 остается вода. Она необходима для подачи в барабан очень густых ополаскивателей, т.е. для разбавления концентрированных ополаскивателей. Если в ячейке 3 останется воды больше нормального, это значит, что канал слива ополаскивателя в барабан засорился. Смотрите описание чистки ячеек на стр. 34.

ячейка 4: Цикл отбеливания

Обычный отбеливатель используется для прочных белых тканей, **деликатный** - для цветных, синтетических тканей и для шерсти.

Не заливайте отбеливатель в ячейку-дозатор 4 выше отметки «макс.» (смотрите рисунок).

Для осуществления только отбеливания налейте отбеливатель в ячейку 4 и выберите программу Ополаскивание  (для х/б тканей) или Деликатное ополаскивание  (для синтетических тканей).

! Не используйте моющие средства, предназначенные для ручной стирки – образующаяся обильная пена ухудшает результат стирки и может вывести из строя стиральную машину.

Подготовка белья

- Разберите белье:
 - в соответствии с типом ткани / обозначения на этикетке
 - по цвету: отделите цветное белье от белого.
- Выньте из карманов все предметы и проверьте хорошо ли держатся пуговицы.
- Не превышайте максимальное нормы загрузки барабана, указанные для сухого белья:
 - Прочные ткани: макс. 5 кг
 - Синтетические ткани: макс. 2,5 кг
 - Деликатные ткани: макс. 2 кг
 - Шерсть: макс. 1 кг

Вес белья

- 1 простыня 400 – 500 г
- 1 наволочка 150 -200 г
- 1 скатерть 400 – 500 г
- 1 халат 900 –1,200 г
- 1 полотенце 150 -250 г

Особенности стирки отдельных изделий

Занавески: сверните и положите в наволочку или в сетчатый мешочек. Стирайте отдельно, не превышая половины загрузки барабана. Выберите программу 11, автоматически исключающую отжим.

Стеганные куртки и пуховики: если пуховик на утином или гусином пуху, его можно стирать в стиральной машине. Выверните куртку наизнанку, загрузите в барабан не более 2-3 кг изделий. Повторите полоскание 1-2 раза, используйте деликатный отжим.


Парусиновые туфли: Парусиновые туфли предварительно очистите от грязи и стирайте с прочными тканями или джинсами, если позволяет цвет. Не стирайте с белыми вещами.

Шерсть: Для достижения наилучших результатов стирки загружайте не более 1 кг белья и используйте специальные жидкие средства, предназначенные для стирки шерстяных изделий.

Woolmark Platinum Care (Платиновый кашемир – деликатность ручной стирки)



Ariston установил новый стандарт высокоэффективной стирки, признанный Компанией Woolmark с престижной маркой Woolmark Platinum Care. Если на вашей стиральной машине имеется логотип Woolmark Platinum Care, в ней можно стирать с отличным результатом шерстяные изделия на этикетке которых написано «только ручная стирка» (M.00221).

Выберите программу **10** для всех изделий с этикеткой «Ручная стирка» () и используйте специальные средства для стирки шерсти.

! Стиральная машина спроектирована и изготовлена в соответствии с международными нормами безопасности. Внимательно прочитайте настоящие предупреждения, составленные в целях вашей безопасности.

Общие правила безопасности

- Для домашнего использования. Данное изделие является бытовым электроприбором, не предназначенным для профессионального использования. Запрещается модифицировать его функции.
- Стиральная машина должна использоваться только взрослыми лицами, соблюдающими инструкции, приведенные в данном руководстве.
- Не касайтесь работающей машины, если ваши руки или ноги сырые; не пользуйтесь оборудованием босиком.
- Не тяните за питающий кабель, чтобы вынуть вилку из розетки: беритесь за вилку.
- Не открывайте распределитель мощных средств во время работы машины.
- Не касайтесь сливаемой воды, ее температура может быть очень высокой.
- При остановке машины разблокировка замка дверцы срабатывает с трехминутной задержкой. Не пытайтесь открыть дверцу в этом промежуток времени (а тем более во время работы оборудования!): это может повредить механизм блокировки.
- В случае неисправности при любых обстоятельствах не касайтесь внутренних частей машины, пытайтесь починить ее.
- Следите, чтобы дети не приближались к работающей стиральной машине.
- В процессе стирки дверца стиральной машины может нагреваться.
- Если необходимо переместить стиральную машину, выполняйте эту операцию вдвоем или втроем с предельной осторожностью. Никогда не пытайтесь поднять машину в одиночку — оборудование чрезвычайно тяжелое.
- Перед помещением в стиральную машину белья убедитесь, чтобы барабан был пуст.

Утилизация

- Уничтожение упаковочного материала: соблюдайте действующие требования по утилизации упаковочных материалов.

- Утилизация старой стиральной машины: перед сдачей машины в утиль обрежьте питающий кабель и снимите дверцу.

Экономия энергии и охрана окружающей среды

Экологичная технология

С новой технологией Ariston вы затратите воды в два раза меньше, а эффект от стирки будет в два раза выше! Вот почему вы не можете видеть воду через дверцу: ее очень мало. Это забота об окружающей среде без отказа от максимальной чистоты. И вдобавок ко всему, вы экономите электричество.

Экономия мощных средств, воды, электроэнергии и времени

- Для экономии ресурсов следует максимально загружать стиральную машину. Один цикл стирки при полной загрузке вместо двух циклов с наполовину загруженным барабаном позволяет сэкономить до 50% электроэнергии.
- Цикл предварительной стирки необходим только для очень грязного белья. При цикле предварительной стирки расходуется больше стирального порошка, времени, воды и на 5 – 15% больше электроэнергии.
- Если вы обрабатываете пятна пятновыводителем или замочите белье перед стиркой, это поможет избежать стирки при высоких температурах. Использование программы стирки при 60°C вместо 90°C, или 40°C вместо 60°C позволяет сэкономить до 50% электроэнергии.
- Правильная дозировка стирального порошка в зависимости от жесткости воды, степени загрязнения и объема загружаемого белья помогает избежать нерационального расхода мощного средства и загрязнения окружающей среды: хотя стиральные порошки и являются биоразлагаемыми, они содержат вещества, отрицательно влияющие на экологию. Кроме того, по возможности избегайте использовать ополаскиватели.
- Использование стиральной машины утром или вечером уменьшит пиковую нагрузку на электросеть.
- Если белье должно сушиться в автоматической сушке, необходимо выбрать большую скорость отжима. Интенсивный отжим экономит время и электроэнергию при автоматической сушке.

CIS

Установка

Описание

Программы

Мощные средства

Меры безопасности

Обслуживание и уход

Неисправности

Сервис

Обслуживание и уход

CIS

Отключение воды и электричества

- Перекрывайте водопроводный кран после каждой стирки. Таким образом сокращается износ водопроводной системы стиральной машины и устраняется вероятность протечек.
- Всегда вынимайте вилку из розетки перед мойкой и обслуживанием машины.

Уход за стиральной машиной

Внешние и резиновые части машины очищайте мягкой тканью с теплой мыльной водой. Не используйте растворители или абразивные чистящие средства.

Уход за дверцей машины и барабаном

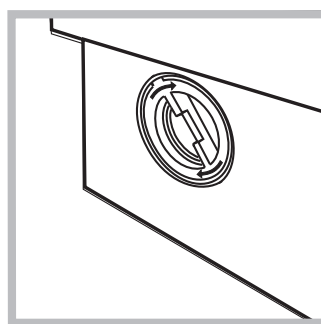
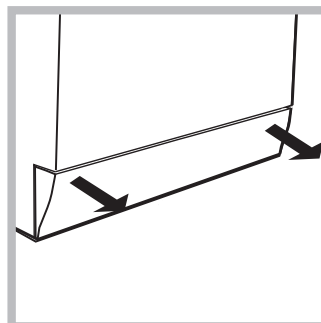
- После каждой стирки оставляйте дверцу машины полуоткрытой во избежание образования в барабане неприятных запахов и плесени.

Чистка насоса

Стиральная машина имеет сливной насос самоочищающегося типа, который не требует очистки или особого обслуживания. Однако мелкие предметы (монеты, пуговицы и др.) могут случайно попасть в насос. Для их извлечения насос оборудован «уловителем» — фильтром, доступ к которому закрыт нижней передней панелью.

! Убедитесь, что цикл стирки закончился, и отключите оборудование от сети.

Как достать предметы, упавшие в пространство между барабаном и кожухом машины:



1. снимите нижний плинтус в передней части стиральной машины, потянув обеими руками за его края (смотрите рисунок);

2. выверните крышку фильтра, вращая ее против часовой стрелки (см. рис.): из насоса может вылиться немного воды — это нормальное явление.

3. тщательно прочистите фильтр изнутри;

4. заверните крышку обратно;

5. установите на место переднюю панель, предварительно убедившись, что крюки вошли в соответствующие петли.

Проверка заливного шланга

Проверяйте шланг не реже одного раза в год. При любых признаках течи или повреждения немедленно замените шланг. Во время работы машины неисправный шланг, находящийся под давлением воды, может внезапно лопнуть.

! Никогда не используйте шланги, бывшие в употреблении.

Как чистить распределитель моющих средств

Разборка:

Слегка нажмите на большую кнопку на передней стороне распределителя и вытяните его вверх (рис. 1).



Рис. 1

Чистка:

Затем промойте распределитель под струей воды (рис. 3), используя старую зубную щетку. Выньте пару сифонов, вставленных в вершину отделений 1 и 2 (рис. 4), проверьте не забиты ли они и промойте их.

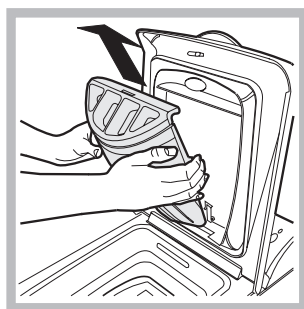


Рис. 2

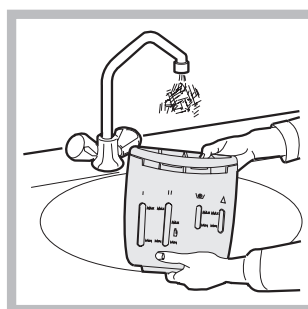


Рис. 3

Сборка:

Установите пару сифонов в специальные отверстия и затем поместите распределитель на место, вставляя его до щелчка (рис. 4, 2 и 1).

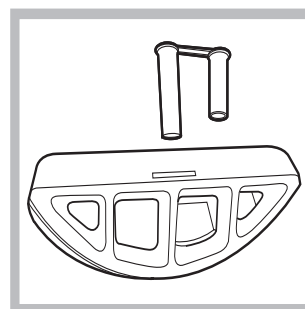


Рис. 4

Неисправности и методы их устранения



В случае неудовлетворительных результатов стирки или возникновения неисправностей, прежде чем обратиться в Авторизованный Сервисный центр (см. с. 36), прочитайте этот раздел. В большинстве случаев Вы можете решить возникшие проблемы сами.


Обнаруженная неисправность:

Возможные причины / Методы устранения:

Стиральная машина не включается.

- Вилка не вставлена в розетку или вставлена плохо, не обеспечивая контакта.
- В доме отключено электричество.

Цикл стирки не запускается.

- Люк плохо закрыт (мигает индикатор Блокировки люка).
- Не была нажата кнопка .
- Не была нажата кнопка ПУСК/СБРОС (Start/Reset).
- Закрыт кран подачи воды.

Стиральная машина не заливает воду.

- Заливной шланг не подсоединен к крану.
- Шланг пережат.
- Закрыт кран подачи воды.
- В доме нет воды.
- Недостаточное водопроводное давление.
- Не была нажата кнопка ПУСК/СБРОС (Start/Reset).

Стиральная машина непрерывно заливает и сливает воду.

- Сливной шланг расположен ниже 65 или выше 100 см. от пола (см. с. 27).
 - Конец сливного шланга погружен в воду (см. с. 27).
 - Настенный слив не имеет сливной трубы.
- Если сливной шланг встроен в канализацию, имейте в виду, что на верхних этажах может создаваться «сифонный эффект» — машина одновременно сливает и заливает воду. Для предотвращения подобного эффекта устанавливается специальный клапан (антисифон).

Стиральная машина не производит слив и отжим.

- Выбранная программа не предусматривает слив воды — для некоторых программ необходимо включить слив вручную (см. с. 30).
- Активизирована дополнительная функция Легкая глажка: для завершения программы нажмите кнопку ПУСК/СБРОС (Start/Reset) (см. с. 31).
- Сливной шланг пережат (см. с. 27) или засорен.
- Засор в канализации.

Сильная вибрация при отжиге.

- При установке стиральной машины барабан был разблокирован неправильно (см. с. 26).
- Стиральная машина плохо выровнена (см. с. 26).
- Зазор между машиной и стеной/мебелью недостаточен (см. с. 26).

Протечки воды из стиральной машины.

- Плохо закреплен заливной шланг (гайка на конце шланга неплотно затянута и неправильно установлена прокладка (см. с. 26).
- Распределитель моющих средств забит остатками моющих средств (о чистке распределителя см. с. 34).
- Плохо закреплен сливной шланг (см. с. 27).

Индикатор ВКЛЮЧЕНИЕ/ЛЮК ЗАБЛОКИРОВАН часто мигает одновременно с любым другим индикатором.

- Обратитесь в Авторизованный Сервисный Центр, так как это означает неисправность.

Избыточное пенообразование.

- Используется моющее средство, неподходящее для автоматических стиральных машин с фронтальной загрузкой.
- Передозировка моющего средства.

Если после проверки машина продолжает работать не должным образом, обратитесь в **Авторизованный Сервисный центр** за помощью. (см. с. 36)

CIS

Установка

Описание

Программы

Моющие средства

Меры безопасности

Обслуживание и уход

Неисправности

Сервис

Сервисное обслуживание

CIS

Перед тем как обратиться в Авторизованный Сервисный центр:

- Убедитесь, что вы не можете устранить неисправность самостоятельно (см. с. 35).
- Запустите программу повторно для проверки исправности машины.
- В противном случае обратитесь в Авторизованный Сервисный центр по телефону, указанному в гарантийном документе.

! *Не пользуйтесь услугами лиц, не уполномоченных Производителем.*

При ремонте требуйте использования оригинальных запасных частей.

При обращении в Авторизованный Сервисный центр сообщите:

- тип неисправности;
- номер гарантийного документа (сервисной книжки, сервисного сертификата и т.п.);
- модель машины (Мод.) и серийный номер (S/N), указанные в информационной табличке, расположенной на задней панели стиральной машины.

SK

Slovenský

AVTL 104

Obsah

Inštalácia, 38-39

Rozbalenie a vyrovnanie do vodorovnej polohy, 38
Pripojenie k elektrickej sieti a k rozvodu vody, 38-39
Prvý prací cyklus, 39
Technické údaje, 39

Popis práčky, 40-41

Ovládací panel, 40
Ako sa otvára a zatvára prací bubon, 41
Kontrolky, 41

Uvedenie do chodu a programu, 42

V skratke: uvedenie pracieho programu do chodu, 42
Tabuľka programov, 42

Nastavenie činnosti podľa potrieb užívateľa, 43

Nastavenie teploty, 43
Nastavenie rýchlosti odstreďovania, 43
Funkcie, 43

Pracie prostriedky a bielizeň, 44

Dávkovač pracích prostriedkov, 44
Príprava bielizne, 44
Cyklus bielenia, 44
Odevy vyžadujúce špeciálnu starostlivosť, 44
Woolmark Platinum Care (Kašmír Platinum), 44

Opatrenia a rady, 45

Základné bezpečnostné pokyny, 45
Likvidácia, 45
Ako ušetriť a brať ohľad na životné prostredie, 45

Údržba a starostlivosť, 46

Zatvorenie prívodu vody a vypnutie elektrického napájania, 46
Čistenie práčky, 46
Čistenie dávkovača pracích prostriedkov, 46
Starostlivosť o dvierka a bubon, 46
Čistenie čerpadla, 46
Kontrola prítokovej hadice, 46
Ako sa čistí dávkovač pracích prostriedkov, 46

Poruchy a spôsob ich odstránenia, 47

Servisná služba, 48

Pred privolaním servisnej služby, 48

Inštalácia

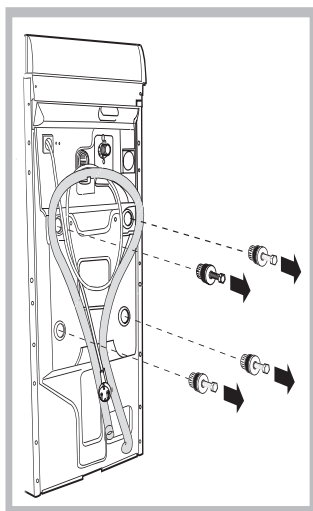
SK

! Je veľmi dôležité uschovať tento návod za účelom jeho ďalšej konzultácie. V prípade predaja, darovania alebo presťahovania práčky sa uistite, že zostane uložený v blízkosti práčky, aby mohol posлúžiť novému majiteľovi pri zoznámení sa s činnosťou a s príslušnými upozoreniami.

! Pozorne si prečítajte uvedené pokyny: obsahujú dôležité informácie týkajúce sa inštalácie, použitia a bezpečnosti pri práci.

Rozbalenie a vyrovnanie do vodorovnej polohy

Rozbalenie



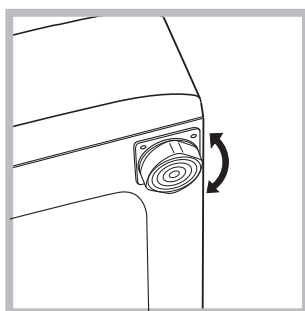
1. Rozbaľte práčku.
2. Skontrolujte, či počas prepravy nedošlo k jej poškodeniu. V prípade, že je poškodená, nezapájajte ju a obráťte sa na predajcu.
3. Odstráňte štyri skrutky s gumovou podložkou a s príslušným dištančným krúžkom, nachádzajúce sa v zadnej časti (vid' obrázok), slúžiace na ochranu počas prepravy.

4. Uzatvorte otvory po skrutkách plastovými zátkami.
5. Uschovajte všetky diely: v prípade opätovnej prepravy práčky ich bude treba namontovať späť.

Upozornenie: pri opätovnom použití musia byť kratšie skrutky použité na montáž v hornej polohe.

! Obaly nie sú hračkami pre deti

Vyrovnanie do vodorovnej polohy



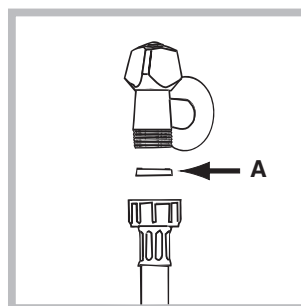
1. Práčku je potrebné umiestniť na rovnú a pevnú podlahu, bez toho, že by bola opretá o stenu, nábytok alebo niečo iné.
2. V prípade, keď podlaha nie je dokonale vodorovná, môžu byť prípadné rozdiely vykompenzované

odkrútením alebo zakrútením predných nožičiek (vid' obrázok). Uhol sklonu, nameraný na pracovnej ploche, nesmie presiahnuť 2°.

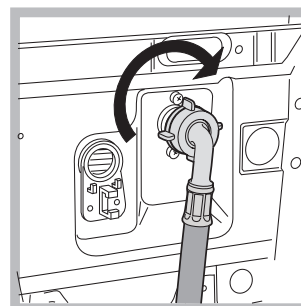
Dokonalé vyrovnanie do vodorovnej polohy zabezpečí stabilitu zariadenia a zamedzí vznik vibrácií a hluku počas činnosti. V prípade inštalácie na podlahovú krytinu alebo na koberec, nastavte nožičky tak, aby pod práčkou zostal dostatok voľného priestoru na ventiláciu.

Pripojenie k elektrickej sieti a k rozvodu vody

Pripojenie prítokovej hadice



1. Vložte tesnenie A do koncovkej časti prítokovej hadice a pripevnite ju k uzáveru studenej vody so závitom 3/4" (vid' obrázok). Pred pripojením hadice nechajte vodu odtiecť, až kým nebude priezračná.

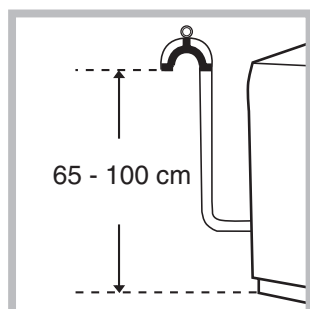


2. Pripojte prítokovú hadicu k práčke prostredníctvom príslušného vstupného hrdla, situovaného vpravo hore (vid' obrázok).
3. Dbajte na to, aby hadica nebola príliš ohnutá alebo stlačená.

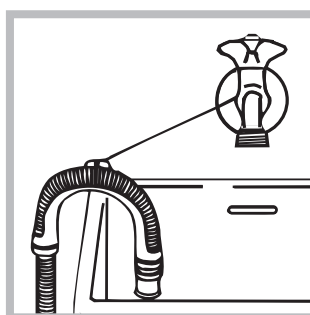
! Tlak v rozvode vody sa musí pohybovať v rozmedzí hodnôt uvedených v tabuľke s technickými údajmi (vid' vedľajšia strana).

! V prípade, že dĺžka prítokovej hadice nebude dostatočná, obráťte sa na špecializovanú predajňu alebo na autorizovaný technický personál.

Pripojenie odtokovej hadice



Pripojte vypúšťaciu hadicu, bez toho, že by došlo k jej ohnutiu, k odpadovému potrubiu alebo k odpadu v stene, nachádzajúcemu sa od 65 do 100 cm nad zemou;



alebo ju zachyťte na okraj umývadla alebo vane, a pripevnite ju ku kohútiku prostredníctvom držiaku z príslušenstva (vid' obrázok). Voľný koniec vypúšťacej hadice nesmie zostať ponorený do vody.

! Použitie predlžovacích hadíc sa nedoporučuje; ak je však nevyhnutné, predlžovacia hadica musí mať rovnaký priemer ako originálna hadica a jej dĺžka nesmie presiahnuť 150 cm.

Pripojenie k elektrickej sieti

Pred zasunutím zástrčky do zásuvky sa uistite, že:

- zásuvka je uzemnená, a že vyhovuje zákonným predpisom;
- zásuvka je schopná uniesť maximálnu záťaž odpovedajúcu menovitému príkonu zariadenia, uvedenému v tabuľke s technickými údajmi (vid' vedľa);
- hodnota napájacieho napätia odpovedá údajom uvedeným v tabuľke s technickými údajmi (vid' vedľa);
- zásuvka je kompatibilná so zástrčkou práčky. V opačnom prípade je potrebné vymeniť zástrčku.

! Práčka nesmie byť umiestnená vonku – pod holým nebom, a to ani v prípade, keby sa jednalo o miesto chránené pred poveternostnými vplyvmi, pretože je veľmi nebezpečné vystaviť ju pôsobeniu dažďa a búrok.

! Po definitívnom umiestnení práčky musí zásuvka zostať jednoducho prístupná.

! Nepoužívajte predlžovacie káble a rozvodky.

! Kábel nesmie byť ohnutý alebo stlačený.

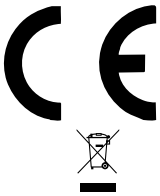
! Výmena kábla musí byť vykonaná výhradne autorizovaným technickým personálom.

Upozornenie! Výrobca neponesie žiadnu zodpovednosť za následky nerešpektovania uvedených predpisov.

Prvý prací cyklus

Po nastavení práčky, pred jej použitím na pranie bielizne, je potrebné vykonať jeden skúšobný cyklus, s pracím prostriedkom a bez náplne bielizne, pri teplote 90°C, bez predpierania.

Technické údaje

Model	AVTL 104
Rozmery	šírka 40 cm výška 85 cm hĺbka 60 cm
Kapacita	od 1 do 5 kg
Elektrické zapojenie	napätie 220/230 V 50 Hz maximálny príkon 1850 W
Pripojenie k rozvodu vody	maximálny tlak 1 MPa (10 bar) maximálny tlak 0,05 MPa (0.5 bar) kapacita bubna 42 litrov
Rýchlosť odstredovania	až do 1000 otáčok za minútu
Kontrolný program podľa normy IEC456	program 3; teplota 60°C; náplň 5 kg prádla.
	Toto zariadenie je v zhode s nasledujúcimi smernicami Európskej únie: - 73/23/EHS z 19/02/73 (Nízke napätie) v platnom znení - 89/336/EHS z 03/05/89 (Elektromagnetická kompatibilita) v platnom znení - 2002/96/CE
Hlučnosť* (dB(A) re 1 pW)	Pranie: 66 Odstredovanie: 77

SK

Inštalácia

Popis

Pracie programy

Pracie prostriedky

Opatrenia

Údržba

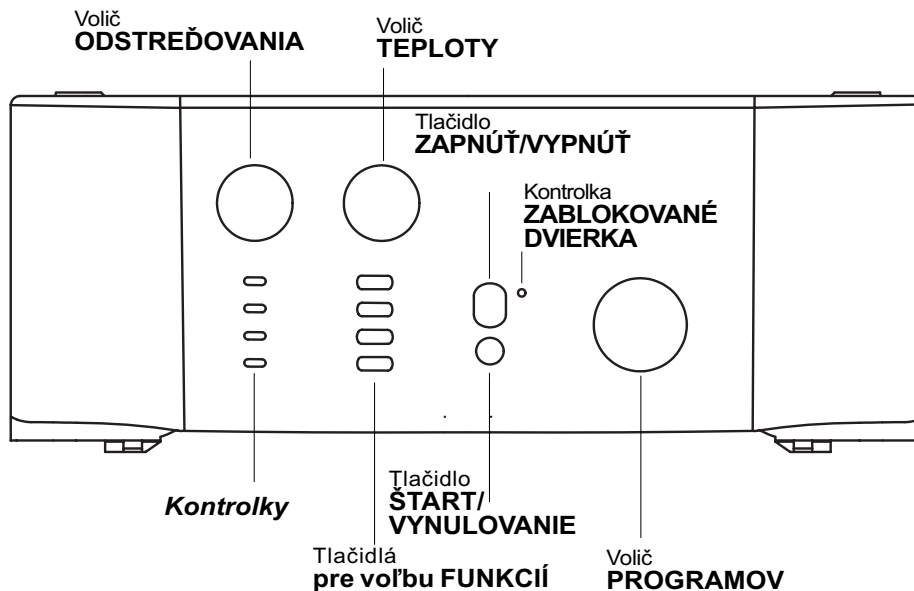
Poruchy

Servisná služba

Popis práčky

SK

Ovládací panel



Dávko vač pracích prostriedkov na dávkovanie pracích a prídavných prostriedkov (vid' str. 44).

Kontrolky na kontrolu postupu pracieho programu. Ak je nastavená funkcia Oneskorený štart, budú zobrazovať dobu chýbajúcu do zahájenia programu (vid' str. 41).

Volič **ODSTREĐOVANIE** na nastavenie rýchlosti odstreďovania alebo na jeho zrušenie (vid' str. 43).

Tlačidlá pre voľbu **FUNKCIÍ** - tlačidlá na voľbu jednotlivých funkcií. Tlačidlo zvolenej funkcie zostane podsvietené.

Volič **TEPLoty** na nastavenie teploty alebo pranie v studenej vode (vid' str. 43).

Tlačidlo **ZAPNÚŤ/VYPNÚŤ** na zapnutie alebo vypnutie práčky.

Tlačidlo **ŠTART/VYNULOVANIE** na spustenie programu alebo na vynulovanie nesprávne nastaveného programu.

Kontrolka **ZAPNUTÉ/ZABLOKOVANÉ DVIERKA** indikuje, práčka je zapnutá (bliká) alebo, že dvierka je možné otvoriť (stále svetlo) (vid' str. 41).

Volič **PROGRAMOV** na nastavenie programov (vid' str. 42).

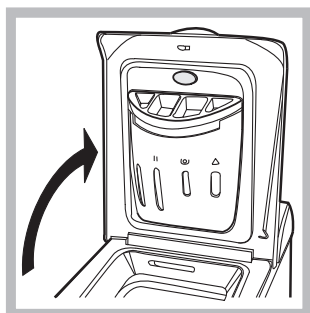
Počas spusteného programu zostane volič zastavený.

☞○ Kontrolka ZAPNUTÉ/ZABLOKOVANÉ DVIERKA:

Rozsvietenie tejto kontrolky poukazuje na to, že dvierka sú zablokované kvôli zamedzeniu náhodnému otvoreniu; aby nedošlo k poškodeniu pred otvorením dvierok, je potrebné vyčkať, kým kontrolka začne blikáť.

! rýchle blikanie kontrolky ZAPNUTÉ/ZABLOKOVANÉ DVIERKA súčasne aspoň s jednou ďalšou kontrolkou upozorňuje na prítomnosť poruchy. Obráťte sa na servisnú službu.

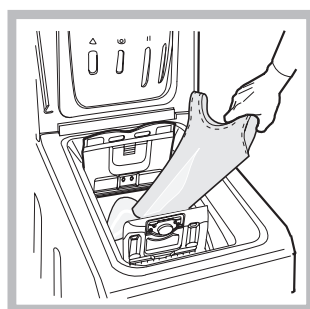
Ako sa otvára a zatvára prací bubon



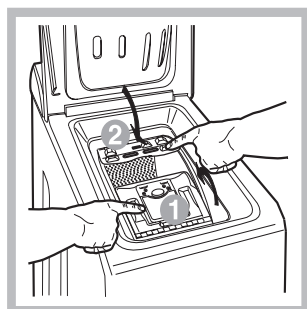
Obr. 1



Obr. 2



Obr. 3



Obr. 4

A) OTVÁRANIE (obr. 1):

Zdvihnute hornú dosku a úplne ju otvorte.

B) Otvorte prací bubon podľa návodu na obrázku; pritom použite obe ruky (obr. 2):

- tlačidlo označené na obr.2 zatlačte ľahko smerom dole. Počas tohto úkonu oprite druhú ruku o dverka pracieho bubna tak, aby sa vám pri náhlom otvorení nezachytili prsty;
- rukami doprevádzajte uvoľnená dverka počas ich otvárania.

C) VKLADANIE BIELIZNE (obr. 3)

D) ZAVIERANIE (obr. 4):

- Prací bubon dobre zavriete tak, že najskôr spustíte predné a potomaj zadné dverka;
- skontrolujte či sú úchytky predných dverok dokonale zasunuté do príslušných otvorov v zadných dverkách;
- po zacvaknutí najprv zľahka zatlačte smerom dole prvé a potom druhé dverka, aby ste sa uistili, že nedôjde k ich uvoľneniu;
- nakoniec zavriete hornú dosku.

Kontrolky

Kontrolky sú zdrojom dôležitých informácií. Informujú nás o nasledujúcich skutočnostiach:

Aktuálna fáza pracieho programu:

Počas pracieho cyklu dôjde postupne k rozsvieteniu jednotlivých kontroliek za účelom indikácie priebehu prania:

- Predpierka
- Pranie
- Plákanie
- Odstreďovanie

Poznámka: Počas vypúšťania vody sa rozsvieti kontrolka poukazujúca na fázu odstredovania.

Funkčné tlačidlá

FUNKČNÉ TLAČIDLÁ slúžia tiež ako kontrolky. Po zvolení jednotlivej funkcie dôjde k podsvieteniu príslušného tlačidla.

V prípade, že zvolená funkcia nie je kompatibilná s nastaveným pracím programom, príslušné tlačidlo začne blikať a funkcia nebude aktivovaná.

V prípade, že bude zvolená funkcia, ktorá nie je kompatibilná s niektorou z vopred zvolených funkcií, aktivovaná zostane len posledne zvolená funkcia.

SK

Inštalácia

Popis

Pracie programy

Pracie prostriedky

Opatrenia

Údržba


Poruchy


Servisná služba

Uvedenie do chodu a programy






SK

V skratke: uvedenie pracieho programu do chodu

1. Zapnite práčku stlačením tlačidla . Na niekoľko sekúnd sa rozsvietia všetky kontrolky, následne dôjde k ich zhasnutiu a začne blikať kontrolka ZAPNUTÉ/ZABLOKOVANÉ DVIERKA.
2. Naplňte práčku prádrom a dávkovač pracími a prídavnými prostriedkami (viď str. 44) a potom zatvorte dvierka a kryt.
3. Voličom PROGRAMOV nastavte požadovaný prací program.

4. Nastavte teplotu prania (viď str. 43).
5. Nastavte rýchlosť odstreďovania (viď str. 43).
6. Uvedte nastavený prací program do chodu stlačením tlačidla ŠTART/VYNULOVANIE. Vynulovanie nastaveného programu sa vykonáva stlačením tlačidla ŠTART/VYNULOVANIE na dobu najmenej 2 sekúnd.
7. Po ukončení pracieho programu bude kontrolka ZAPNUTÉ/ZABLOKOVANÉ DVIERKA blikať, poukazujúc na možnosť otvorenia dvierok. Vyberte prádlo a nechajte potvorené dvierka, aby mohlo dôjsť k vysušeniu bubna. Vypnite práčku stlačením tlačidla .

Tabuľka programov

Druh tkaniny a stupeň jej znečistenia	Pracie programy	Teplota	Prací prostriedok		Aviváž	Voličel'ná funkcia Belenie / Bieliaci prostriedok	Orientačná doba cyklu (v minútach)	Popis pracieho cyklu
			na predpr.	na pranie				
Bavlna								
Extrémne znečistená biela bielizeň (plachty, obrusy, atď.)	1	90°C	•	•	•		137	Predpijerka, pranie plákanie, priebežné a záverečné odstreďovanie
Extrémne znečistená biela bielizeň (plachty, obrusy, atď.)	2	90°C		•	•	Na jemnú bielizeň / Tradičný	129	Pranie, plákanie, priebežné a záverečné odstreďovanie
Silno znečistená biela a farebná bielizeň z odolných tkanín	3	60°C		•	•	Na jemnú bielizeň / Tradičný	144	Pranie, plákanie, priebežné a záverečné odstreďovanie
Čiastočne znečistená biela a farebná jemná bielizeň (košeľa, trička, atď.)	4	40°C		•	•	Na jemnú bielizeň / Tradičný	78	Pranie, plákanie, priebežné a záverečné odstreďovanie
Čiastočne znečistená farebná jemná bielizeň	5	30°C		•	•	Na jemnú bielizeň / Tradičný	70	Pranie, plákanie, priebežné a záverečné odstreďovanie
Syntetika								
Silno znečistená bielizeň z odolných farebných tkanín	6	60°C		•	•	Na jemnú bielizeň	79	Pranie, plákanie, ochrana pred pokrčením alebo jemné odstreďovanie
Silno znečistená bielizeň z odolných farebných tkanín	7	50°C		•	•	Na jemnú bielizeň	75	Pranie, plákanie, ochrana pred pokrčením alebo jemné odstreďovanie
Jemná farebná bielizeň (zľahka znečistená bielizeň všetkého druhu)	8	40°C		•	•	Na jemnú bielizeň	65	Pranie, plákanie, ochrana pred pokrčením alebo jemné odstreďovanie
Jemná farebná bielizeň (zľahka znečistená bielizeň všetkého druhu)	9	30°C		•	•		32	Pranie, plákanie, jemné odstreďovanie
Jemné prádlo								
Vlna	10	40°C		•	•	Na jemnú bielizeň	45	Pranie, plákanie, odstreďovanie
Bielizeň z veľmi jemných tkanín (záclony, hodváb, viskóza, atď.)	11	30°C		•	•		52	Pranie, plákanie, ochrana pred pokrčením alebo vyčerpanie vody
ČIASTOČNÉ PROGRAMY								
Plákanie					•			Plákanie a odstreďovanie
Jemné plákanie					•			Plákanie, ochrana pred pokrčením alebo vyčerpanie vody
Odstreďovanie								Vyčerpanie vody a intenzívne odstreďovanie
Jemné odstreďovanie								Vyčerpanie vody a jemné odstreďovanie
Vyčerpanie vody								Vyčerpanie vody

Poznámky

Popis ochrany pred pokrčením: viď Jednoduché žehlenie, na vedľajšej strane. Údaje uvedené v tabuľke majú len informatívny charakter.

Špeciálny program

Každodenné pranie 30' (program 9 pre syntetiku) je navrhnutý špeciálne na pranie zľahka znečistenej bielizne počas krátkej doby: trvá len 30 minút a šetrí tak energiu a čas. Nastavením programu (9 pri 30°C) je možné prať spolu bielizeň rôzneho druhu (s výnimkou vlny a hodváb) s náplňou nepresahujúcou 3 kg. *Doporučuje sa použitie tekutého pracieho prostriedku.*

Nastavenie činnosti podľa potrieb užívateľa

Nastavenie teploty

Otáčaním voliča TEPLoty dôjde k nastaveniu teploty prania (viď Tabuľka programov na str. 42). Teplota môže byť postupne znižovaná až po pranie v studenej vode .

Nastavenie rýchlosti odstreďovania

Otáčaním voliča RÝCHLOSTI ODS TREĐOVANIA sa nastavuje rýchlosť odstreďovania zvoleného pracieho programu. Maximálne hodnoty rýchlosti pre jednotlivé pracie programy sú:

Pracie programy	Maximálna rýchlosť
Bavlna	1000 otáčok za minútu
Syntetika	800 otáčok za minútu
Vlna	600 otáčok za minútu
Hodobávanie	nie

Rýchlosť odstreďovania môže byť znížená, alebo odstreďovanie môže byť vylúčené voľbou symbolu . Zariadenie automaticky zabráni odstreďovaniu vyššou rýchlosťou než je maximálna hodnota rýchlosti pre každý prací program.

Funkcie

Jednotlivé funkcie, ktorými práčka disponuje umožňujú dosiahnuť požadovaný stupeň čistoty a bieloby praného prádla. Spôsob aktivácie jednotlivých funkcií:

1. stlačte tlačidlo príslušnej požadovanej funkcie podľa nižšie uvedenej tabuľky;
2. podsvietenie príslušného tlačidla signalizuje, že došlo k aktivácii zvolenej funkcie.

Poznámka: Rýchle blikanie tlačidla poukazuje na to, že príslušná funkcia je nepoužiteľná počas nastaveného pracieho programu.

Funkcie	Efekt	Poznámky k použitiu	Aktívna pri programoch:
Super Wash	Umožňuje dosiahnuť dokonalejšiu čistotu a viditeľne najvýraznejšiu bielobu vypranej bielizne v štandarde triedy A.	Táto funkcia nie je kompatibilná s funkciou RÝCHLE PRANIE.	1, 2, 3, 4, 5, 6, 7, 8
Jednoduché zehlenie	Slúži na zníženie počtu záhybov na tkaninách, uľahčujúc následné zehlenie.	Po nastavení tejto funkcie dôjde k prerušeniu programov 6, 7, 8, 11 a jemné odstreďovanie s prádlom vo vode (ochrana proti krčeni), sprevádzanému blikaním kontrolky Plákanie : - dokončenie pracieho cyklu je možné po stlačení tlačidla ŠTART/VYNULOVANIE; - ak si prajete len vyčerpať vodu, nastavte otočný volič do polohy označenej a stlačte tlačidlo ŠTART/VYNULOVANIE.	Všetky okrem 1, 2, 9, 10, vyčerpanie vody.
Rýchle pranie	Umožňuje znížiť dobu pracieho cyklu približne o 30%.	Táto funkcia nie je kompatibilná s funkciou SUPER WASH.	1, 2, 3, 4, 5, 6, 7, 8 plákanie.
Intenzívne plákanie	Slúži na zvýšenie účinnosti plákania.	Jej použitie sa doporučuje pri úplne naplnenej práčke alebo pri použití veľkého množstva pracieho prostriedku.	1, 2, 3, 4, 5, 6, 7, 8, plákanie.

SK

Inštalácia

Popis

Pracie programy

Pracie prostriedky

Opatrenia

Údržba

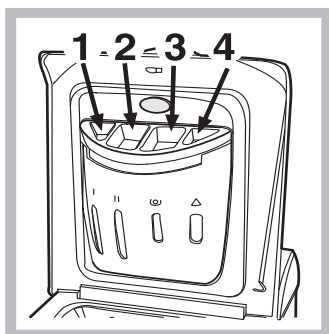
Poruchy

Servisná služba

Pracie prostriedky a bielizeň

SK

Dávkovač pracích prostriedkov



Dobrý výsledok prania závisí aj od správneho dávkovania pracích prostriedkov: ich použitie v nadmernom množstve znižuje efektívnosť prania a napomáha tvorbe vodného kameňa na vnútorných častiach práčky a tiež znečisteniu životného prostredia.

Pri vyťahovaní dávkovača pracích prostriedkov a pri jeho plnení pracími alebo prídavnými prostriedkami postupujte nasledovne.

priehradka 1: Prací prostriedok (práškový) na predpierku

priehradka 2: Prací prostriedok na pranie (práškový alebo tekutý)

Tekutý prací prostriedok je vhodné naliať priamo do bubna, prostredníctvom dávkovacej guľičky.

priehradka 3: Prídavné prostriedky (aviváž, atď.)

Po liatí aviváže do priehradky 3 dbajte na to, aby nedošlo k presiahnutiu úrovne označenej „max“. Aviváž bude do práčky dávkovaná automaticky počas posledného plákania. Po ukončení pracieho programu zostane v priehradke 3 zvyšok vody. Táto slúži na riedenie veľmi hustých druhov aviváže, alebo druhov aviváže s vysokou koncentráciou. Ak v priehradke 3 zostane viac vody ako obyčajne, znamená to, že vyprázdňovacie zariadenie je upchaté. Pokyny na čistenie sú uvedené na str. 46.


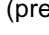
prídavná priehradka 4: Bieliaci prostriedok

! Nepoužívajte pracie prostriedky určené na ručné pranie, pretože spôsobujú tvorbu nadmerného množstva peny.

Cyklus bielenia

Bieliaci prostriedok **na bežné prádlo** sa môže používať výlučne pri bielení odolného bieleho prádla, zatiaľ čo bieliaci prostriedok **na jemnú bielizeň** sa používa pri bielení farebného prádla, prádla zo syntetických tkanín a vlny.

Pri dávkovaní bieliaceho prostriedku nepresiahnite hladinu „max“, vyznačenú na priehradke 4 (viď obrázok).

Pri samotnom bielení nalejte bieliaci prostriedok do priehradky 4 a nastavte program Plákanie  (pre látky z bavlny) alebo Jemné plákanie  (pre syntetické tkaniny).

Príprava bielizeň

- Roztriedte bielizeň podľa:
 - druhu tkaniny / symbolu na visačke.
 - farby: oddel'te farebné prádlo od bieleho.
- Vyprázdnite vrecká a skontrolujte gombíky.
- Neprekračujte povolenú náplň, vzťahujúcu sa na hmotnosť suchej bielizeň:
 - Odolné tkaniny: max. 5 kg
 - Syntetické tkaniny: max. 2.5 kg
 - Jemné tkaniny: max. 2 kg
 - Vlna max. 1 kg

Koľko váži bielizeň?

- 1 plachta 400-500 g
- 1 obliečka na vankúš 150-500 g
- 1 obrus 400-500 g
- 1 župan 900-1.200 g
- 1 uterák 150-250 g

Odevy vyžadujúce špeciálnu starostlivosť

Záclony: prehnite ich a uložte do obliečky na vankúš alebo do sáčku zo sieťoviny. Je treba ich prať samotné a neprekročiť polovičnú náplň. Na pranie záclon použite program 11, ktorý automaticky vylúči odstredovanie.

Prešivané kabáty a vetrovky: je možné ich prať v práčke v prípade, ak sú plnené husacím alebo kačacím perím. Jednotlivé kusy odevu obráťte naruby, naplňte práčku náplňou s hmotnosťou nepresahujúcou 2-3 kg, zopakujte raz alebo viackrát plákanie a použite jemné odstredovanie.

Tenisky: očistite ich od bahna. Môžete ich prať spolu s džínami a bielizňou z odolných tkanín, nemôžete ich však prať spolu s bielou bielizňou.

Vlna: aby ste dosiahli čo najlepšie výsledky, treba použiť špecifický prací prostriedok na pranie vlny a neprekročiť 1 kg náplne.

Woolmark Platinum Care (Kašmír Platinum)



Jemné ako pranie v rukách.

Ariston zaviedol nový, vyšší štandard, ktorý bol spoločnosťou The Woolmark

Company ocenený prestížnou značkou Woolmark Platinum Care. V prípade, že je práčka označená značkou Woolmark Platinum Care, môže sa v nej prať, pri dosiahnutí vynikajúcich výsledkov, i vlnená bielizeň, označené visačkou „Prať v rukách“ (M.00221):



Nastavte prací program 10 pri praní všetkých kusov odevov označených visačkou „Prať v rukách“, a použite špecifické pracie prostriedky.

! Práčka bola navrhnutá a vyrobená v súlade s platnými medzinárodnými bezpečnostnými predpismi. Tieto upozornenia sú uvádzané z bezpečnostných dôvodov a je treba si ich pozorne prečítať.

Základné bezpečnostné pokyny

- Práčku môžu používať len dospelé osoby, podľa pokynov uvedených v tomto návode.
- Nedotýkajte sa zariadenia bosí, alebo v prípade, keď máte mokré ruky alebo nohy.
- Nevyťahujte zástrčku zo zásuvky potiahnutím za kábel, ale uchopením za zástrčku.
- Neotvárajte dávkovač pracích prostriedkov počas činnosti zariadenia.
- Nedotýkajte sa vyčerpanej vody, pretože môže mať veľmi vysokú teplotu.
- Nepokúšajte sa o násilné otváranie dvierok: mohlo by dôjsť k poškodeniu bezpečnostného uzáveru, ktorý zabraňuje náhodnému otvoreniu.
- Pri výskyte poruchy sa v žiadnom prípade nepokúšajte o opravu vnútorných častí zariadenia.
- Vždy majte pod kontrolou deti a zabráňte ich priblíženiu sa k práčke počas pracieho cyklu.
- Počas pracieho cyklu majú dvierka tendenciu zohriať sa.
- V prípade potreby premiestňujte práčku v dvojici alebo v trojici, a venujte celej operácii zvláštnu pozornosť. Nikdy sa nepokúšajte práčku premiestňovať sami, je totiž veľmi ťažká.
- Pred zahájením vkladania bielizne skontrolujte, či je bubon prázdny.

Likvidácia

• Likvidácia starých elektrických zariadení

Európska smernica 2002/96/EC o odpadových elektrických a elektronických zariadeniach stanovuje, že staré domáce elektrické spotrebice nesmú byť odkladané do bežného netriedeného domového odpadu. Staré spotrebice musia byť odovzdané do oddeleného zberu a to za účelom recyklácie a optimálneho

využitia materiálov, ktoré obsahujú, z dôvodu prevencie negatívneho dopadu na ľudské zdravie a životné prostredie. Symbol "preciarknutej popolnice" na výrobku Vás upozorňuje na povinnosť odovzdať zariadenie po skončení jeho životnosti do oddeleného zberu.

Spotrebitelia majú povinnosť kontaktovať ich lokálny úrad alebo maloobchod kvôli informáciám týkajúcich sa správneho odovzdaniu a likvidácie ich starých spotrebitcov.

- Likvidácia starej práčky:
pred jej likvidáciou sa postarajte o jej znehodnotenie, odstrihnutím prírodného kábla a oddelením dvierok.

Ako ušetriť a brať ohľad na životné prostredie

Technológia v službách životného prostredia
Vysvetlením toho, že vo vnútri práčky je vidieť málo vody, je skutočnosť, že nová technológia Ariston umožňuje dokonale vyprať bielizeň s použitím menej než polovičného množstva vody: jedná sa o dosiahnutie vytýčeného cieľa s ohľadom na životné prostredie.

Šetrenie pracími prostriedkami, vodou, energiou a časom

- Aby nedochádzalo k plytvaniu, je treba používať práčku s plnou náplňou. Jedna plná náplň, v porovnaní s dvoma polovičnými, umožňuje ušetriť až 50% energie.
- Predpierka je potrebná len pri praní silno znečistenej bielizne. Prací program bez predpierky umožňuje ušetriť od 5 do 15% energie.
- Pri aplikácii príslušného prostriedku proti škvrnám alebo ich namočením pred zahájením prania, je možné vyhnúť sa praniu pri vysokých teplotách. Použitie rovnakého pracieho programu pri teplote 60°C namiesto 90°C alebo 40°C namiesto 60°C, umožňuje ušetriť až 50% energie.
- Správne dávkovanie pracieho prostriedku, s ohľadom na tvrdosť vody, stupeň znečistenia a množstvo pranej bielizne zabraňuje plytvaniu a chráni životné prostredie: i keď sa jedná o biodegradabilné látky, pracie prostriedky narušujú prirodzenú rovnováhu v prírode. Ďalej je sa treba, podľa možností, vyhnúť použitiu aviváže.
- Pranie v podvečer alebo skoro ráno napomáha nižšej záťaži firiem, zaoberajúcich sa výrobou energie.
- V prípade, že bielizeň má byť vysušená v sušičke, zvolte vysokú rýchlosť odstredovania. Malé množstvo vody umožňuje šetriť čas a energiu počas programu sušenia.

SK

Inštalácia

Popis

Pracie programy

Pracie prostriedky

Opatrenia

Údržba

Poruchy

Servisná služba

Údržba a starostlivosť

SK

Zatvorenie prívodu vody a vypnutie elektrického napájania

- Po každom praní uzatvorte prívod vody. Týmto spôsobom dochádza k obmedzeniu opotrebovania práčky a k zníženiu nebezpečenstva úniku vody.
- Pred zahájením čistenia práčky a počas operácií údržby je treba vytiahnuť zástrčku prívodného kábla zo zásuvky.

Čistenie práčky

Vonkajšie časti a časti z gumeny môžu byť čistené handrou navlhčenou vo vlažnej vode a saponáte. Nepoužívajte rozpúšťadlá alebo brúsne prostriedky.

Čistenie dávkovača pracích prostriedkov

Vytiahnite dávkovač jeho nadvihnutím a vytiahnutím smerom von (viď obrázok).

Umyte ho pod prúdom vody; tento druh vyčistenia je treba vykonávať pravidelne.

Starostlivosť o dvierka a bubon

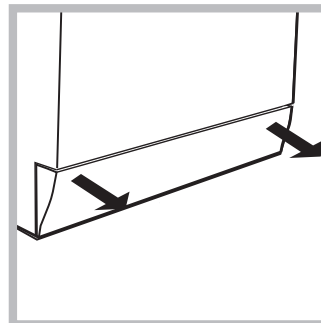
- Dvierka ponechajte zakaždým pootvorené, aby sa zabránilo tvorbe nepríjemných zápachov.

Čistenie čerpadla

Súčasťou práčky je samočistiace čerpadlo, ktoré nevyžaduje osobitnú starostlivosť. Môže sa však stať, že sa v jeho vstupnej časti, určenej na jeho ochranu, a nachádzajúcej sa v jeho spodnej časti, zachytia drobné predmety (mince, gombíky).

! Uistite sa, že prací cyklus bol ukončený a vytiahnite zástrčku zo zásuvky.

Pri vyberaní prípadných predmetov spadnutých do predkomory:



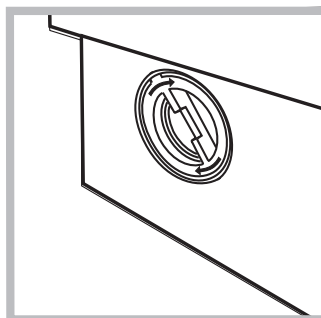
1. odmontovať podstavec práčky v spodnej časti, vpredu, jeho potiahnutím rukami za okraje (viď obrázok);

2. odkrúťte vrchný kryt jeho otáčaním proti smeru hodinových ručičiek (viď obrázok): vytečenie malého množstva vody je celkom bežným javom;

3. dokonale vyčistite vnútro vstupnej časti čerpadla;

4. nasadte späť vrchný kryt;

5. namontujte späť krycí panel, pričom sa, pred jeho prisunutím k práčke uistite, že došlo k správne zachyteniu háčikov do príslušných otvorov.



Kontrola prítokovej hadice

Stav prítokovej hadice je treba skontrolovať aspoň raz ročne. Ak sú na nej viditeľné praskliny alebo trhliny, je potrebné ju vymeniť: silný tlak pôsobiaci na hadicu počas pracieho cyklu by mohol spôsobiť jej náhle roztrhnutie.

! Nikdy nepoužívajte už použité hadice.

Ako sa čistí dávkovač pracích prostriedkov

Demontáž:

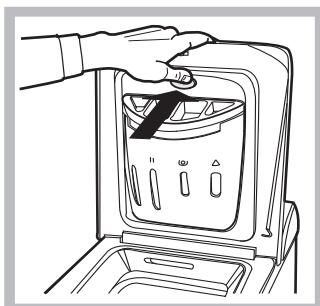
Zľahka zatlačte na veľké tlačidlo v prednej časti dávkovača pracích prostriedkov a vytiahnite ho smerom nahor (obr. 1 a 2).

Čistenie:

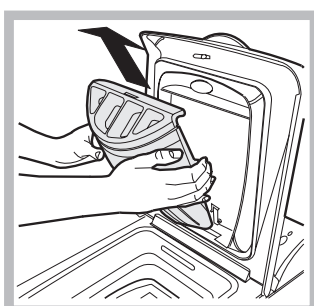
Starou zubnou kefkou vyčistite dávkovač pod kohútikom s tečúcou vodou (obr.3), vytiahnite pár sifónov uložených v hornej časti priehradiek 1 a 2 (obr. 4), skontrolujte či nie sú upchaté a umyte ich pod vodou.

Spätná montáž:

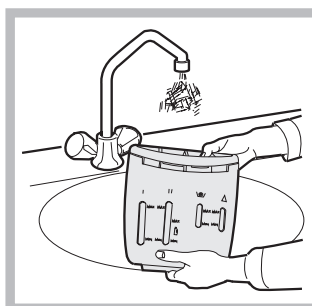
Nezabudnite vložiť na pôvodné miesto sifóny a potom vložte na pôvodné miesto aj dávkovač (obr. 4, 2, 1).



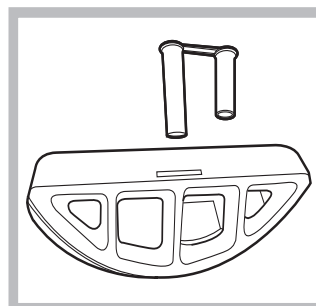
Obr. 1



Obr. 2



Obr. 3



Obr. 4

Môže sa stať, že práčka nebude fungovať. Pred obrátením sa telefonicky na servisnú službu (*vid' str. 48*), skontrolujte prostredníctvom nasledujúceho zoznamu, či sa nejedná o jednoducho odstrániteľný problém.


Poruchy:

Možné príčiny / Spôsob ich odstránenia:

Práčku nie je možné zapnúť.

- Zástrčka nie je zasunutá v zásuvke, alebo nie dostatočne na to, aby došlo k spojeniu kontaktov.
- V celom dome je vypnutý prúd.

Nedochádza k zahájeniu pracieho cyklu.

- Dvierka nie sú správne zatvorené (kontrolka Zablokovaný kryt bliká).
- Nebolo stlačené tlačidlo .
- Nebolo stlačené tlačidlo ŠTART/VYNULOVANIE.
- Nebol otvorený kohútik prívodu vody.

Nedochádza k napúšťaniu vody do práčky.

- Prívodná hadica nie je pripojená k vodovodnému kohútiku.
- Prívodná hadica je príliš ohnutá.
- Nebol otvorený kohútik prívodu vody.
- V celom dome je uzatvorený prívod vody.
- V rozvode vody nie je dostatočný tlak.
- Nebolo stlačené tlačidlo ŠTART/VYNULOVANIE.

Dochádza k nepretržitému napúšťaniu a vypúšťaniu vody.

- Vypúšťacia hadica sa nachádza mimo určeného rozmedzia od 65 do 100 cm nad zemou (*vid' str. 39*).
 - koncová časť vypúšťacej hadice je ponorená vo vode (*vid' str. 39*).
 - odpad v stene nie je vybavený zavzdušňovacím otvorom.
- Keď ani po uvedených kontrolách nedôjde k odstráneniu problému, uzatvorte prívod vody, vypnite práčku a privolajte servisnú službu. V prípade, že sa byt nachádza na jednom z najvyšších poschodí, je možné, že dochádza k sifónovému efektu, následkom čoho práčka nepretržite napúšťa a vypúšťa vodu. Na odstránenie uvedeného efektu sú v predaji bežne dostupné špeciálne protisifónové ventily.

Nedochádza k vyčerpaniu vody alebo k odstred'ovaniu.

- Odčerpanie vody netvorí súčasť nastaveného programu: u niektorých programov je potrebné jeho manuálne uvedenie do činnosti (*vid' str. 42*).
- Bola aktivovaná voliteľná funkcia Jednoduché žehlenie: dokončenie pracieho cyklu je možné po stlačení tlačidla ŠTART/VYNULOVANIE (*vid' str. 43*).
- Vypúšťacia hadica je príliš ohnutá (*vid' str. 39*).
- Odpadové potrubie je upchaté.

Počas odstred'ovania je možné pozorovať silné vibrácie.

- Počas inštalácie nebol bubon odistený predpísaným spôsobom (*vid' str. 38*).
- Práčka nie je vyrovnaná do vodorovnej polohy (*vid' str. 38*).
- Práčka je zatlačená medzi nábytkom a stenou (*vid' str. 38*).

Dochádza k úniku vody z práčky.

- Prívodná hadica nie je správne pripojená (*vid' str. 38*).
- Dávkovač pracích prostriedkov je upchatý (spôsob jeho vyčistenia – *vid' str. 46*).
- Vypúšťacia hadica nie je upevnená predpísaným spôsobom (*vid' str. 39*).

Kontrolka ZAPNUTÉ/ZABLOKOVANÉ DVIERKA bliká rýchle spolu s aspoň jednou ďalšou kontrolkou.

- Privolajte servisnú službu, pretože práčka poukazuje na prítomnosť poruchy.

Dochádza k tvorbe nadmerného množstva peny.

- Použitý prací prostriedok nie je vhodný pre použitie v automatickej práčke (musí obsahovať označenie „na pranie v práčke“, „na pranie v rukách alebo v práčke“ alebo podobné označenie).
- Bolo ho použité nadmerné množstvo.

SK

Inštalácia

Popis

Pracie programy

Pracie prostriedky

Opatrenia

Údržba

Poruchy

Servisná služba

Servisná služba

SK

Pred privolaním servisnej služby:

- Skontrolujte, či nie ste schopní poruchu odstrániť sami (*vid' str. 47*);
- Opätovne uveďte do chodu prací program, s cieľom overiť, či bola porucha odstránená;
- V opačnom prípade sa obráťte na autorizované centrum servisnej služby, na telefónnom čísle uvedenom na záručnom liste.

! Nikdy sa neobracajte so žiadosťou o pomoc na technikov, ktorí nie sú na vykonávanie tejto činnosti oprávnení.

Pri hlásení poruchy uveďte:

- druh poruchy;
- model práčky (Mod.);
- výrobné číslo (S/N).

tieto informácie sú uvedené na typovom štítku, nachádzajúcom sa na zadnej strane práčky.

CZ

Český

AVTL 104

Obsah

Instalace, 50-51

Rozbalení a vyrovnání do vodorovné polohy, 50
Připojení k elektrické síti a k rozvodu vody, 50-51
První prací cyklus, 51
Technické údaje, 51

Popis pračky, 52-53

Ovládací panel, 52
Jak se otvírá a zavírá prací buben, 53
Kontrolky, 53

Uvedení do chodu a programy, 54

Ve zkratce: uvedení pracího programu do chodu, 54
Tabulka programů, 54

Nastavení činnosti dle potřeb uživatele, 55

Nastavení teploty, 55
Nastavení rychlosti odstředování, 55
Funkce, 55

Prací prostředky a prádlo, 56

Dávkovač pracích prostředků, 56
Cyklus bělení, 56
Příprava prádla, 56
Oděvy vyžadující zvláštní péči, 56
Kašmír Platinum, 56

Opatření a rady, 57

Základní bezpečnostní pokyny, 57
Likvidace, 57
Jak ušetřit a brát ohled na životní prostředí, 57

Údržba a péče, 58

Uzavření přívodu vody a
vypnutí elektrického napájení, 58
Čištění pračky, 58
Čištění dávkovače pracích prostředků, 58
Péče o dvířka a buben, 58
Čištění čerpadla, 58
Kontrola přítokové hadice, 58
Jak se čistí dávkovač pracích prostředků, 58

Poruchy a způsob jejich odstranění, 59

Servisní služba, 60

Před přivoláním servisní služby, 60

Instalace

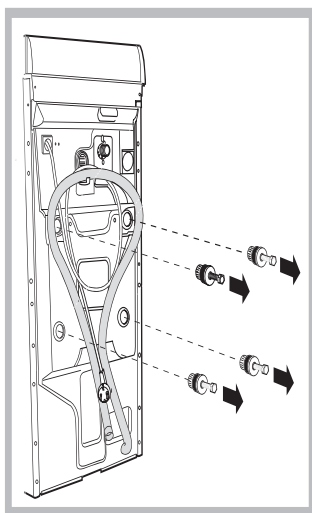
CZ

! Je velmi důležité uschovat tento návod za účelem jeho další konzultace. V případě prodeje, darování anebo přestěhování pračky se ujistěte, že zůstane uložen v blízkosti pračky, aby mohl posloužit novému majiteli při seznámení se s činností a s příslušnými upozorněními.

! Pozorně si přečtěte uvedené pokyny: obsahují důležité informace týkající se instalace, použití a bezpečnosti při práci.

Rozbalení a vyrovnaní do vodorovné polohy

Rozbalení



1. Rozbalte pračku.
2. Zkontrolujte, zda během přepravy nedošlo k jejímu poškození. V případě, že je poškozena, nezapojte ji a obraťte se na prodejce.

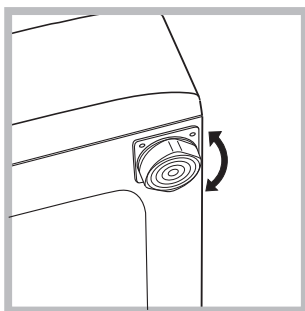
3. Odstraňte čtyři šrouby s gumovou podložkou a s příslušnou rozpěrkou, nacházející se v zadní části (viz obrázek), sloužící na ochranu během přepravy.

4. Uzavřete otvory po šroubech plastovými krytkami.
5. Uschovejte všechny díly: v případě opětovné přepravy pračky je bude třeba namontovat zpátky.

Upozornění: v případě opětovného použití musí být kratší šrouby použity na montáž v horní poloze.

! Obaly nejsou hračky pro děti

Vyrovnaní do vodorovné polohy



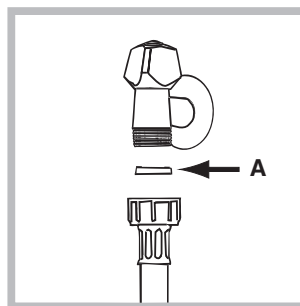
1. Pračku je třeba umístit na rovnou a pevnou podlahu, bez toho, aby byla opřena o stěnu, nábytek anebo něco jiného.
2. V případě, když podlaha není dokonale vodorovná, mohou být případné rozdíly vykompenzovány

šroubováním předních nožek (viz obrázek). Úhel sklonu, naměřen na pracovní ploše, nesmí přesáhnout 2°.

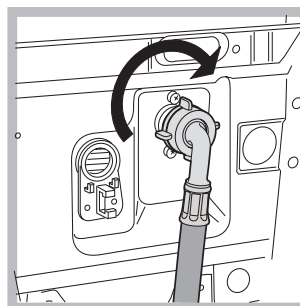
Dokonalé vyrovnaní do vodorovné polohy zabezpečí stabilitu zařízení a zamezí vzniku vibrací a hluku během činnosti. V případě instalace na podlahovou krytinu anebo na koberec, nastavte nožičky tak, aby pod pračkou zůstal dostatečný volný prostor pro ventilaci.

Připojení k elektrické síti a k rozvodu vody

Připojení přítokové hadice



1. Vložte těsnění A do koncové části přítokové hadice a připevněte ji k uzávěru studené vody se závitem 3/4" (viz obrázek). Před připojením hadice nechte vodu odtéci, dokud nebude průzračná.



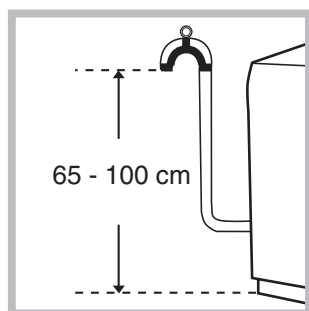
2. Připojte přítokovou hadici k pračce prostřednictvím příslušného vstupního hrdla, umístěného vpravo nahoře (viz obrázek).

3. Dbejte na to, aby hadice nebyla příliš ohnuta anebo stlačena.

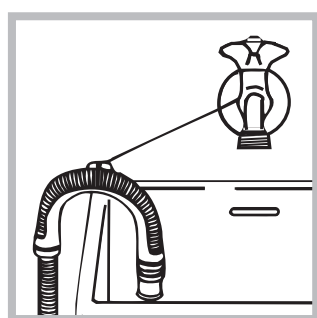
! Tlak v rozvodu vody se musí pohybovat v rozmezí hodnot uvedených v tabulce s technickými údaji (viz vedlejší strana).

! V případě, že délka přítokové hadice nebude dostatečná, obraťte se na specializovanou prodejnu anebo na autorizovaný technický personál.

Připojení odtokové hadice



Připojte vypouštěcí hadici, k odpadovému potrubí anebo k odpadu ve stěně, nacházejícímu se od 65 do 100 cm nad zemí; zamezte jejímu ohybu;



anebo ji zachyťte na okraj umývadla či vany, a připevněte ji ke kohoutku prostřednictvím držáku z příslušenství (viz obrázek). Volný konec vypouštěcí hadice nesmí zůstat ponořen do vody.

! Použití prodlužovacích hadic se nedoporučuje; je-li však nezbytné, prodlužování hadice musí mít stejný průměr jako originální hadice a její délka nesmí přesáhnout 150 cm.

Připojení k elektrické síti

Před zasunutím zástrčky do zásuvky se ujistěte, že:

- zásuvka je uzemněna a že vyhovuje normám;
- zásuvka je schopna snést maximální zátěž odpovídající jmenovitému příkonu zařízení, uvedenému v tabulce technickými údaji (viz vedle);
- hodnota napájecího napětí odpovídá údajům uvedeným v tabulce s technickými údaji (viz vedle);
- zásuvka je kompatibilní se zástrčkou pračky. V opačném případě je třeba vyměnit zástrčku.

! Pračka nesmí být umístěna venku – pod širým nebem, a to ani v případě, kdyby se jednalo o místo chráněné před nepřízní počasí, protože je velmi nebezpečné vystavit ji působení deště a bouří.

! Po definitivním umístění pračky musí zásuvka zůstat lehce přístupná.

! Nepoužívejte prodlužování kabely a rozvodky.

! Kabel nesmí být ohnut anebo stlačen.

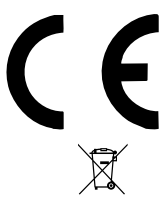
! Výměna kabelu musí být svěřena výhradně autorizovanému technickému personálu.

Upozornění! Výrobce neponese žádnou odpovědnost za následky nerespektování uvedených předpisů.

První prací cyklus

Po nastavení pračky, před jejím použitím na praní prádla, je třeba provést jeden zkušební cyklus, s pracím prostředkem a bez náplně prádla, při teplotě 90°C, bez předpírání.

Technické údaje

Model	AVTL 104
Rozměry	šířka 40 cm výška 85 cm hloubka 60 cm
Kapacita	od 1 do 5 kg
Napájení	napětí 220/230 V 50 Hz maximální příkon 1850 W
Připojení k rozvodu vody	maximální tlak 1 MPa (10 bar) minimální tlak 0.05 MPa (0.5 bar) kapacita bubny 42 litrů
Rychlost odstředování	až do 1000 otáček za minutu
Kontrolní program podle normy IEC 456	program 3; teplota 60°C; náplň 5 kg prádla.
 <p>Toto zařízení odpovídá následujícím normám Evropské unie: - 73/23/EHS z 19/02/73 (Nízké napětí) v platném znění - 89/336/EHS z 03/05/89 (Elektromagnetická kompatibilita) v platném znění - 2002/96/CE</p>	
Hlučnost (dB(A) re 1 pW)	Praní: 66 Odstředování: 77

CZ

Instalace

Popis

Prací programy

Prací prostředky

Opatření

Údržba

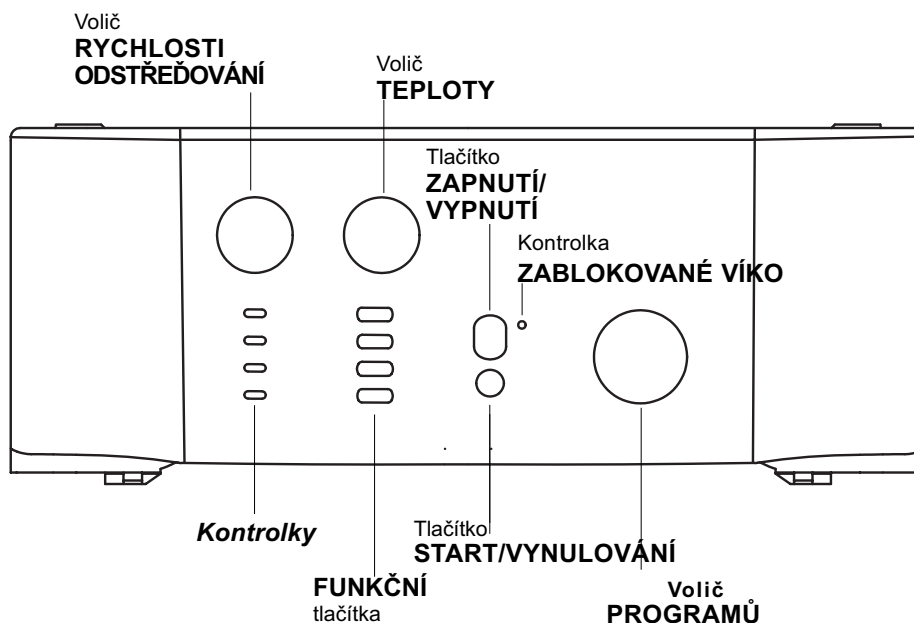
Poruchy

Service síť

Popis pračky

CZ

Ovládací panel



Dávkovač pracích prostředků slouží k dávkování pracích a přídatných prostředků (viz str. 56).

Kontrolky slouží ke kontrole průběhu pracího programu. V případě, že byla nastavena funkce odložený start, budou informovat o čase zbývajícím do startu pracího programu (viz str. 53).

Volič **RYCHLOSTI ODSTŘEĐOVÁNÍ** slouží k nastavení rychlosti odstřeďování anebo k jeho vyloučení (viz str. 55).

FUNKČNÍ tlačítka slouží k volbě jednotlivých nabízených funkcí. Po uskutečnění volby jednotlivé funkce zůstane příslušné tlačítko podsvětleno.

Volič **TEPLoty** slouží k nastavení teploty praní anebo praní ve studené vodě (viz str. 55).

Tlačítko **ZAPNUTÍ/VYPNUTÍ** slouží k zapnutí a vypnutí pračky.

Tlačítko **START/VYNULOVANÍ** slouží k zahájení pracího programu nebo k vynulování chybného nastavení.

Kontrolka **ZAPNUTO/ZABLOKOVANÉ VÍKO** informující o tom, zda je pračka zapnuta (blikající kontrolka) a zda lze otevřít víko (rozsvícená kontrolka) (viz str. 53).

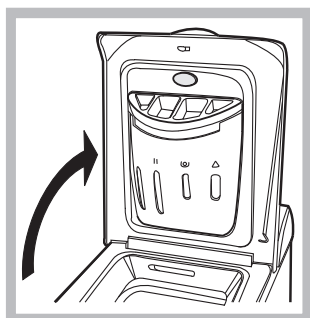
Volič **PROGRAMŮ** slouží k nastavení programu (viz str. 54). Během pracího programu zůstane ve stejné poloze.

☞ Kontrolka ZAPNUTO/ZABLOKOVANÉ VÍKO:

Rozsvícení této kontrolky poukazuje na to, že dvířka jsou zablokována kvůli zamezení náhodnému otevření; aby se předešlo poškození pračky, je třeba před otevřením víka vyčkat, až kontrolka začne blikat.

! Rychlé blikání kontrolky ZAPNUTO/ZABLOKOVANÉ VÍKO spolu s alespoň jednou další kontrolkou upozorňuje na přítomnost poruchy. Přivolat servisní službu.

Jak se otvírá a zavírá prací buben



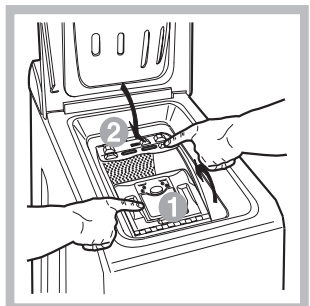
Obr. 1



Obr. 2



Obr. 3



Obr. 4

A) OTEVÍRÁNÍ (Obr. 1): Nadzvedni vrchní kryt a kompletně ho otevři.

B) Otevři prací buben podle návodu na obrázku; použij přitom obě ruce (Obr. 2):

- stlač tlačítko označené na Obr.2 a zatlač ho lehce směrem dolů. Během tohoto úkonu opři druhou ruku o dvířka pracího bubnu, aby ti, při náhlém otevření, nestlačili prsty;
- doprovod uvolněné dvířka během jejich snadného otevření a uvolnění.

C) VKLÁDÁNÍ PRÁDLA (Obr. 3)

D) ZAVÍRÁNÍ (Obr. 4):

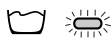
- dobře zavři prací buben a to tak že nejdříve spustíš přední a pak i zadní dvířka;
- zkontroluj, zdali došlo k dokonalému zasunutí úchytů předních dvířek do jejich uložení v zadních dvířkách;
- po uslyšení zvuku provázejícího zachycení, zatlač zlehka směrem dolů nejdříve jedny a pak druhé dvířka, aby ses ujistil, zdali nedojde k jejich uvolnění;
- na závěr zavři vrchní kryt.

Kontrolky

Kontrolky jsou zdrojem důležitých informací. Informují nás o následujících skutečnostech:

Aktuální fáze pracího programu:

Během pracího cyklu dojde postupně k rozsvícení jednotlivých kontrolky za účelem indikace průběhu praní:

-  Předpírání
-  Praní
-  Máchání
-  Odstředování

Poznámka: Během odčerpání vody se rozsvítí kontrolka signalizující fázi odstředování.

Funkční tlačítka

FUNKČNÍ TLAČÍTKA slouží také jako kontrolky. Po zvolení jednotlivé funkce dojde k podsvícení příslušného tlačítka.

V případě, že zvolená funkce není kompatibilní s nastaveným pracím programem, příslušné tlačítko začne blikat a funkce nebude aktivována.

V případě, že bude zvolena funkce, která není kompatibilní s některou z předem zvolených funkcí, aktivována zůstane pouze poslední zvolená funkce.

CZ

Instalace

Popis

Prací programy

Prací prostředky

Opatření

Údržba


Poruchy


Servisní služba

Uvedení do chodu a programy




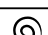

CZ

Ve zkratce: uvedení pracího programu do chodu

1. Zapněte pračku stisknutím tlačítka . Na několik vteřin se rozsvítí všechny kontrolky, následně dojde k jejich zhasnutí a začne blikat kontrolka ZAPNUTO/ZABLOKOVANÁ DVÍŘKA.
2. Naplňte pračku prádlem, naplňte dávkovač pracími a přídatnými prostředky (viz str. 56) a na závěr uzavřete dvířka bubny a víko.
3. Voličem PROGRAMŮ nastavte požadovaný prací program.

4. Nastavte teplotu praní (viz str. 55).
5. Nastavte rychlost odstředování (viz str. 55).
6. Uvedte nastavený prací program do chodu stisknutím tlačítka START/VYNULOVÁNÍ.
Vynulování nastaveného programu se vykonává stisknutím tlačítka START/VYNULOVÁNÍ na dobu nejméně 2 vteřin.
7. Po ukončení pracího programu bude kontrolka ZAPNUTO/ZABLOKOVANÁ DVÍŘKA blikat, poukazující na možnost otevření dvířek. Vyndejte prádlo a nechte dvířka pootevřená, aby mohlo dojít k vysušení bubny. Vypněte pračku stisknutím tlačítka .

Tabulka programů

Druh tkaniny a stupeň jejího znečištění	Prací programy	Teplota	Prací prostředek		Aviváž	Volitelná funkce Bělení / Bělící prostředek	Doba cyklu (v minutách)	Popis pracího cyklu
			předp.	praní				
Bavlna								
Extrémně znečištěné bílé prádlo (prostěradla, ubrusy, atd.)	1	90°C	•	•	•		137	Předpírání, praní, máchání, průběžné a závěrečné odstředování
Extrémně znečištěné bílé prádlo (prostěradla, ubrusy, atd.)	2	90°C		•	•	Na choul.prádlo / Tradiční	129	Praní, máchání, průběžné a závěrečné odstředování
Silně znečištěné bílé a barevné prádlo z odolných tkanin	3	60°C		•	•	Na choul.prádlo / Tradiční	144	Praní, máchání, průběžné a závěrečné odstředování
Částečně znečištěné bílé a barevné choullostivé prádlo (košile, trička, atd.)	4	40°C		•	•	Na choul.prádlo / Tradiční	78	Praní, máchání, průběžné a závěrečné odstředování
Částečně znečištěné barevné choullostivé prádlo	5	30°C		•	•	Na choul.prádlo / Tradiční	70	Praní, máchání, průběžné a závěrečné odstředování
Syntetika								
Silně znečištěné prádlo z odolných barevných tkanin	6	60°C		•	•	Na choul.prádlo	79	Praní, máchání, ochrana před zmačkáním nebo jemné odstředování
Silně znečištěné prádlo z odolných barevných tkanin	7	50°C		•	•	Na choul.prádlo	75	Praní, máchání, ochrana před zmačkáním nebo jemné odstředování
Choullostivé barevné prádlo (lehce znečištěné prádlo všeho druhu)	8	40°C		•	•	Na choul.prádlo	65	Praní, máchání, ochrana před zmačkáním nebo jemné odstředování
Choullostivé barevné prádlo (lehce znečištěné prádlo všeho druhu)	9	30°C		•	•		30	Praní, máchání, jemné odstředování
Choullostivé prádlo								
Vlna	10	40°C		•	•	Na choul.prádlo	45	Praní, máchání, odstředování
Prádlo z velice choullostivých tkanin (záclony, hedvábí, viskóza, atd.)	11	30°C		•	•		52	Praní, máchání, ochrana před zmačkáním nebo vyčerpání vody
ČÁSTEČNÉ PROGRAMY								
Máchání					•	•		Máchání a odstředování
Jemné máchání					•	•		Máchání, ochrana před zmačkáním nebo vyčerpání vody
Odstředování								Vyčerpání vody a intenzivní odstředování
Jemné odstředování								Vyčerpání vody a jemné odstředování
Vyčerpání vody								Vyčerpání vody

Poznámky

Popis ochrany před zmačkáním: viz Snadné žehlení, *na vedlejší straně*. Údaje uvedené v tabulce mají pouze informativní charakter.

Speciální program

Každodenní praní 30' (program 9 pro syntetiku) je navržen speciálně pro praní lehce znečištěného prádla během krátké doby: trvá pouze 30 minut a šetří tak energii a čas. Nastavením programu (9 při 30°C) je možné prát spolu prádlo různého druhu (s výjimkou vlny a hedvábí) s náplní nepřesahující 3 kg. *Doporučuje se použití tekutého pracího prostředku.*

Nastavení činnosti dle potřeb uživatele

Nastavení teploty

Otáčením voliče TEPLOTY dojde k nastavení teploty praní (viz Tabulka programů na str. 54). Teplota může být postupně snižována až po praní ve studené vodě .

Nastavení rychlosti odstředování

Otáčením voliče RYCHLOSTI ODSTŘEĐOVÁNÍ se nastavuje rychlost odstředování zvoleného pracího programu.

Maximální hodnoty rychlosti pro jednotlivé prací programy jsou:

Prací programy	Maximální rychlost
Bavlna	1000 otáček za minutu
Syntetika	800 otáček za minutu
Vlna	600 otáček za minutu
Hedvábí	ne

Rychlost odstředování může být snížena nebo odstředování může být vyloučeno volbou symbolu . Zařízení automaticky zabrání odstředování vyšší rychlostí než je maximální hodnota rychlosti pro každý prací program.

Funkce

Jednotlivé funkce, kterými pračka disponuje umožňují dosáhnout požadovaný stupeň čistoty a bělosti praného prádla. Způsob aktivace jednotlivých funkcí:

- stisknete tlačítko příslušné požadované funkce podle níže uvedené tabulky;
- podsvětlení příslušného tlačítka signalizuje, že došlo k aktivaci zvolené funkce.

Poznámka: Rychlé blikání tlačítka poukazuje na to, že příslušná funkce je nepoužitelná během nastaveného pracího programu.

Funkce	Efekt	Poznámky k použití	Aktivní při programech:
Super Wash	Umožňuje dosazení dokonalé čistoty a viditelně nejvýraznější běloby vypraného prádla v standardu třídy A.	Není kompatibilní s použitím volitelné funkce RYCHLÉ PRANÍ.	1, 2, 3, 4, 5, 6, 7, 8
Snadné zehlení	Slouží ke snížení počtu záhybů na tkaninách, ulehčujíc následné zehlení.	Po nastavení této funkce dojde k přerušení programů 6, 7, 8, 11 a Jemné máchání s prádlem ve vodě (ochrana před zmačkáním), provázenému blikáním kontrolky Máchání : - dokončení pracího cyklu je možné po stisknutí tlačítka START/VYNULOVÁNÍ; - přejete-li si pouze vypustit vodu, nastavte otočný volič do polohy označené a stiskněte tlačítko START/VYNULOVÁNÍ.	Všechny kromě 1, 2, 9, 10, vyčerpání vody.
Rychlé praní	Umožňuje snížit dobu pracího cyklu přibližně o 30%.	Není kompatibilní s použitím volitelné funkce SUPER WASH.	1, 2, 3, 4, 5, 6, 7, 8 Máchání
Intenzivní máchání	Slouží ke zvýšení účinnosti máchání.	Její použití se doporučuje při zcela naplněné pračce anebo při použití velkého množství pracího prostředku.	1, 2, 3, 4, 5, 6, 7, 8, máchání.

CZ

Instalace

Popis

Prací programy

Prací prostředky

Opatření

Údržba

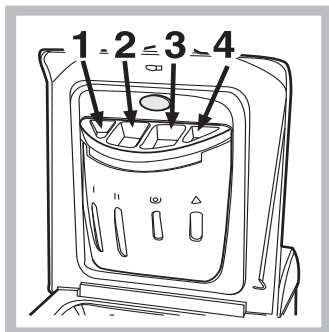
Poruchy

Servisní služba

Prací prostředky a prádlo

CZ

Dávkovač pracích prostředků



Dobrý výsledek praní závisí také na správném dávkování pracích prostředků: použití jejich nadměrného množství snižuje efektivitu praní a napomáhá tvorbě vodního kamene na vnitřních částech pračky a

znečištění životního prostředí.

Při vytahování dávkovače pracích prostředků a při jeho plnění pracími anebo přídatnými prostředky postupujte následovně:

příhrádka 1: Prací prostředek (práškový) pro předpírání

příhrádka 2: Prací prostředek (v prášku nebo tekutý)

Tekutý prací prostředek je vhodné nalít přímo do bubny do dávkovací kuličky.

příhrádka 3: Přídatné prostředky (aviváž atd.)

Při plnění oddílu 3 aviváží dávejte pozor, abyste nepřelili maximální přípustnou úroveň, označenou „max“.

Aviváž je automaticky přiváděna do pračky v průběhu posledního máchání. Na konci pracího programu zůstane v oddílu 3 zbytek vody. Tato voda slouží pro přívod velmi hustých prostředků nebo ke zředění koncentrovaných prostředků. V případě, že v oddílu 3 zůstane více vody než obvykle, znamená to, že je ucpan vyprazdňovací mechanismus. Vyčištění mechanismu viz str. 58.



přídatná příhrádka 4: Bělící prostředek

! Nepoužívejte prací prostředky určené na ruční praní, protože způsobují tvorbu nadměrného množství pěny.

Cyklus bělení

Tradiční bělicí prostředek se používá pro odolné bílé prádlo, **jemný** pro barevné a syntetické prádlo a pro vlnu.

Při dávkování bělicího prostředku nepřekračujte „max“ označenou na přídatné příhrádce 4 (viz obrázek).

Pro spuštění cyklu samostatného bělení vložit bělicí prostředek do přídatné příhrádky 4 a nastavit program máchání  (pro bavlněné prádlo) nebo jemné máchání  (pro prádlo ze syntetických tkanin).

Příprava prádla

- Roztřídte prádlo podle:
 - druhu tkaniny / symbolu na visačce.
 - barvy: oddělte barevné prádlo od bílého.
- Vyprázdněte kapsy a zkontrolujte knoflíky.
- Nepřekračujte povolenou náplň, vztahující se na hmotnost suchého prádla:
 - Odolné tkaniny: max. 5 kg
 - Syntetické tkaniny: max. 2.5 kg
 - Jemné tkaniny: max. 2 kg
 - Vlna: max. 1 kg

Kolik váží prádlo?

- 1 prostěradlo 400-500 g
- 1 povlak na polštář 150-500 g
- 1 ubrus 400-500 g
- 1 župan 900-1.200 g
- 1 ručník 150-250 g

Oděvy vyžadující zvláštní péči

Záclony: přehnout je a uložit dovnitř povlaku na polštář anebo do sáčku ze síťoviny. Je třeba je prát samotné a nepřekročit přitom poloviční náplň. Na praní záclon použijte program 11, který automaticky vyloučí odstředování.

Prošívané kabáty a větrovky: je možné je prát v pračce v případě, že jsou plněny husím anebo kachním prachovým peřím. Jednotlivé kusy oděvu obraťte naruby, naplňte pračku náplní s hmotností nepřesahující 2-3 kg, zopakujte jeden anebo víckrát máchání a použijte jemné odstředování.

Tenisky: očistěte je od bahna. Můžete je prát spolu s džínami a prádlem z odolných tkanin, nemůžete je však prát spolu s bílým prádlem.

Vlna: abyste dosáhli nejlepších výsledků, je třeba použít specifický prací prostředek na praní vlny a nepřekročit 1 kg náplně.

Kašmír Platinum

Jemné jako praní v rukou.



Ariston zavedl nový, vyšší standard, který byl společností The Woolmark Company oceněn prestižní značkou Woolmark Platinum Care. V případě, že je pračka označena značkou Woolmark Platinum Care, může se v ní prát, při dosažení vynikajících výsledků i vlněné prádlo označené visačkou „Prát v rukou“ (M.00221):



Nastavte prací program 10 při praní všech kusů oděvu označených visačkou „Prát v rukou“, a použijte specifické prací prostředky.

! Pračka byla navržena a vyrobena v souladu s platnými mezinárodními bezpečnostními předpisy. Tato upozornění jsou uváděna z bezpečnostních důvodů a je třeba si je pozorně přečíst.

Základní bezpečnostní pokyny

- Pračku mohou používat pouze dospělé osoby, podle pokynů uvedených v tomto návodu.
- Nedotýkejte se zařízení bosí, anebo v případě, když máte mokré ruce anebo nohy.
- Nevytahujte zástrčku ze zásuvky tahem za kabel, ale uchopením za zástrčku.
- Neotvírejte dávkovač pracích prostředků během činnosti zařízení.
- Nedotýkejte se vyčerpávané vody, protože může mít velmi vysokou teplotu.
- Nepokoušejte se o násilné otevření dvířek: mohlo by dojít k poškození bezpečnostního uzávěru, který zabraňuje náhodnému otevření.
- Při výskytu poruchy se v žádné případě nepokoušejte o opravu vnitřních částí zařízení.
- Vždy mějte pod kontrolou děti a zabraňte jejich přiblížení se k pračce během pracího cyklu.
- Během pracího cyklu mají dvířka tendenci ohřát se.
- V případě potřeby přemíst'ujte pračku ve dvou nebo ve třech, a věnujte celé operaci zvláštní pozornost. Nikdy se nepokoušejte pračku přemíst'ovat sami, je totiž velmi těžká.
- Před zahájením vkládání prádla zkontrolujte, zda je buben prázdný.

Likvidace

• Likvidace starých elektrických zařízení

Evropská směrnice 2002/96/EC o odpadních elektrických a elektronických zařízeních stanovuje, že staré domácí elektrické spotřebice nesmí být odkládány do běžného netříděného domovního odpadu. Staré spotřebice musí být odevzdány do odděleného sberu, a to za účelem recyklace a optimálního využití materiálu, které obsahují, a z důvodu předcházení negativním

dopadum na lidské zdraví a životní prostředí. Symbol "preškrtnuté popelnice" na výrobku vás upozorňuje na povinnost odevzdat zařízení po skončení jeho životnosti do odděleného sberu.

Spotřebitelé by měli kontaktovat příslušné místní úřady nebo svého prodejce ohledně informací týkajících se správné likvidace starého zařízení.

- Likvidace staré pračky:
před její likvidací se postarejte o její znehodnocení, odstříhnutím přívodního kabelu a oddělením dvířek.

Jak ušetřit a brát ohled na životní prostředí

Technika ve službách životního prostředí

Vysvětlením toho, že uvnitř pračky je vidět málo vody, je skutečnost, že nový způsob praní Ariston umožňuje dokonale vyprat prádlo s použitím méně než polovičního množství vody: jedná se o dosažení vytýčeného cíle s ohledem na životné prostředí.

Šetření pracími prostředky, vodou, energií a časem

- Aby nedocházelo k plýtvání, je třeba používat pračku s plnou náplní. Jedna plná náplň, ve srovnání se dvěma polovičními, umožňuje ušetřit až 50% energie.
- Předpírání je potřebné pouze při praní silně znečištěného prádla. Prací program bez předpírání umožňuje ušetřit od 5 do 15% energie.
- Při aplikaci příslušného prostředku proti skvrnám anebo jejich namočením před zahájením praní, je možné vyhnout se praní při vysokých teplotách. Použití stejného pracího programu při teplotě 60°C namísto 90°C anebo 40°C namísto 60°C, umožňuje ušetřit až 50% energie.
- Správné dávkování pracího prostředku, s ohledem na tvrdost vody, stupeň znečištění a množství praného prádla zabraňuje plýtvání a chrání životní prostředí: i když se jedná o biodegradabilní látky, prací prostředky narušují přirozenou rovnováhu v přírodě. Dále se je třeba, dle možností, vyhnout použití aviváže.
- Praní v podvečer nebo brzy ráno napomáhá nižší zátěži firem, zabývajících se výrobou energie.
- V případě, že prádlo má být vysušeno v sušičce, zvolte vysokou rychlost odstředování. Malé množství vody umožňuje šetřit čas a energii během sušícího programu.

CZ

Instalace

Popis

Prací programy

Prací prostředky

Opatření

Údržba

Poruchy

Servisní služba

Údržba a péče

CZ

Uzavření přívodu vody a vypnutí elektrického napájení

- Po každém praní uzavřete přívod vody. Tímto způsobem dochází k omezení opotřebení pračky a ke snížení nebezpečí úniku vody.
- Před zahájením čištění pračky a během operací údržby je třeba vytáhnout zástrčku přívodního kabelu ze zásuvky.

Čištění pračky

Vnější části a části z gumy mohou být čištěny hadrem navlhčeným ve vlažné vodě a saponátu. Nepoužívejte rozpouštědla anebo brusné prostředky.

Čištění dávkovače pracích prostředků

Vytáhněte dávkovač jeho nadzvednutím a vytáhnutím směrem ven (viz obrázek). Umyjte ho pod proudem vody; tento druh vyčištění je třeba vykonávat pravidelně.

Péče o dvířka a buben

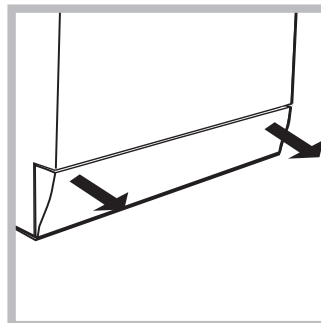
- Dvířka ponechte po každé pootevřeny, aby se zabránilo tvorbě nepříjemných zápachů.

Čištění čerpadla

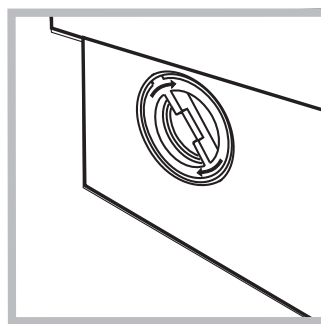
Součástí pračky je samočisticí čerpadlo, která nevyžaduje zvláštní péči. Může se však stát, že se v jeho vstupní části, určené na jeho ochranu, a nacházející se v jeho spodní části, zachytí drobné předměty (mince, knoflíky).

! Ujistěte se, že prací cyklus byl ukončen a vytáhněte zástrčku ze zásuvky.

K znovuzískání případných předmětů spadlých do vstupní části:



1. tahem rukou směrem od bočnic sundat podložku dolů na zadní stranu pračky (viz obrázek);
2. odšroubujte vrchní kryt otáčením proti směru hodinových ručiček (viz obrázek): vytečení malého množství vody je zcela běžným jevem;
3. dokonale vyčistěte vnitřek vstupní části čerpadla;
4. nasadte zpátky vrchní kryt;
5. namontujte zpátky krycí panel, přičemž se, před jeho přisunutím k pračce ujistěte, že došlo k správnému zachycení háčků do příslušných otvorů.



Kontrola přítokové hadice

Stav přítokové hadice je třeba zkontrolovat alespoň jednou ročně. Jsou-li na ní viditelné praskliny anebo trhliny, je třeba ji vyměnit: silný tlak působící na hadici během pracího cyklu by mohl způsobit její náhlé roztrhnutí.

! Nikdy nepoužívejte již použité hadice.

Jak se čistí dávkovač pracích prostředků

Demontáž:

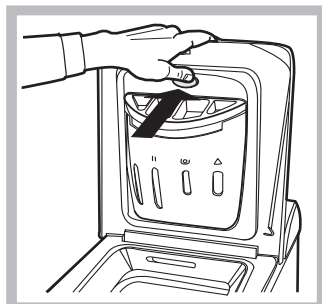
Zlehka zatlačit na velké tlačítko nacházející se ve přední části dávkovače pracích prostředků a vytáhnout ho směrem nahoru (obr. 1).

Čištění:

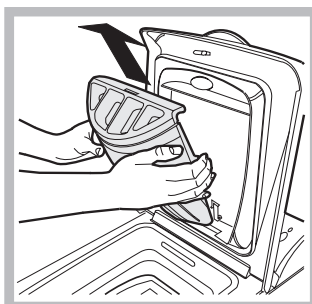
Očistit dávkovač pod kohoutkem (obr.3) s tekoucí vodou pomocí starého zubního kartáčku a, po vytažení páru sifonů uložených v horní části přihrádek 1 a 2 (obr. 4) zkontrolovat, nejsou-li ucpány a omýt je pod vodou.

Zpětná montáž:

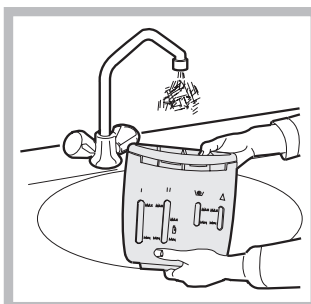
Nezapomeň vložit na původní místo sifony a pak vlož i dávkovač (obr. 4, 2, 1).



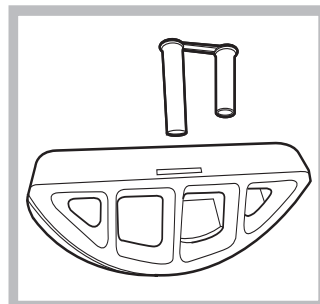
Obr. 1



Obr. 2



Obr. 3



Obr. 4

Může se stát, že pračka nebude fungovat. Před telefonickým kontaktováním servisní služby (viz str. 60), zkontrolujte prostřednictvím následujícího seznamu, zda se nejedná o jednoduše odstranitelný problém.


Poruchy:

Možné příčiny / Způsob jejich odstranění:

Pračku nelze zapnout.

- Zástrčka není zasunuta v zásuvce, anebo ne natolik, aby došlo ke spojení kontaktů.
- V celém domě je vypnut proud.

Nedochází k zahájení pracího cyklu.

- Dvířka nejsou správně zavřena (kontrolka Zablokované víko bliká).
- Nebylo stisknuto tlačítko .
- Nebylo stisknuto tlačítko START/VYNULOVÁNÍ.
- Nebyl otevřen kohoutek přívodu vody.

Nedochází k napouštění vody do pračky.

- Přívodní hadice není připojena k vodovodnímu kohoutku.
- Přívodní hadice je příliš ohnuta.
- Nebyl otevřen kohoutek přívodu vody.
- V celém domě je uzavřen přívod vody.
- V rozvodu vody není dostatečný tlak.
- Nebylo stisknuto tlačítko START/VYNULOVÁNÍ.

Dochází k nepřetržitému napouštění a vyčerpávání vody.

- Ústí vypouštěcí hadice se nachází mimo určené rozmezí od 65 do 100 cm nad zemí (viz str. 51).
 - Koncová část vypouštěcí hadice je ponořena ve vodě (viz str. 51).
 - Odpad ve stěně není vybaven odvzdušňovacím otvorem.
- Když ani po uvedených kontrolách nedojde k odstranění problému, uzavřete přívod vody, vypněte pračku a přivolejte servisní službu. V případě, že se byt nachází na jednom z nejvyšších poschodí, je možné, že dochází k sifonovému efektu, jehož následkem pračka nepřetržitě napouští a odčerpává vodu. Na odstranění uvedeného efektu jsou v prodeji běžně dostupné speciální protisifonové ventily.

Nedochází k vyčerpání vody anebo k odstředování.

- Odčerpání vody netvoří součást nastaveného programu: u některých programů je potřebné jeho manuální uvedení do činnosti (viz str. 54).
- Byla aktivována volitelná funkce Snadné žehlení: dokončení pracího cyklu je možné po stisknutí tlačítka START/VYNULOVÁNÍ (viz str. 55).
- Vypouštěcí hadice je příliš ohnuta (viz str. 51).
- Odpadové potrubí je ucpáno.

Během odstředování je možné pozorovat silné vibrace.

- Během instalace nebyl buben odjištěn předepsaným způsobem (viz str. 50).
- Pračka není vyrovnaná do vodorovné polohy (viz str. 50).
- Pračka je namáčknuta mezi nábytkem a stěnou (viz str. 50).

Dochází k úniku vody z pračky.

- Přívodní hadice není správně připojena (viz str. 50).
- Dávkořezáč pracích prostředků je ucpán (způsob jeho vyčištění – viz str. 58).
- Vypouštěcí hadice není upevněna předepsaným způsobem (viz str. 51).

Kontrolka ZAPNUTO/ZABLOKOVANÁ DVÍŘKA bliká rychle spolu s alespoň jednou další kontrolkou.:

- Zavolejte servisní službu, protože pračka hlásí poruchu.

Dochází k tvorbě nadměrného množství pěny.

- Použitý prací prostředek není vhodný pro použití v automatické pračce (musí obsahovat označení „pro praní v pračce“, „pro praní v rukou nebo v pračce“ anebo podobné označení).
- Bylo použito nadměrné množství pracích prostředků.

CZ

Instalace

Popis

Prací programy

Prací prostředky

Opatření

Údržba

Poruchy

Servisní služba

Servisní služba

2

Před přivoláním servisní služby:

- Zkontrolujte, zda nejste schopni poruchu odstranit sami (*viz str. 59*);
- Opětovně uveďte do chodu prací program, s cílem ověřit, zda byla porucha odstraněna;
- V opačném případě se obraťte na autorizované centrum servisní služby, na telefonním čísle uvedeném na záručním listě.

! Nikdy se neobracejte se žádostí o pomoc na techniky, kteří nejsou na vykonávání této činnosti oprávněni.

Při hlášení poruchy uveďte:

- druh poruchy;
- model pračky (Mod.);
- výrobní číslo (S/N);

tyto informace jsou uvedeny na typovém štítku, nacházejícím se na zadní straně pračky.

HU

Magyar

AVTL 104

Összefoglalás

Üzembehelyezés, 62-63

Kicsomagolás és vízszintbe állítás, 62
Víz és elektromos csatlakozás, 62-63
Első mosási ciklus, 63
Műszaki adatok, 63

Mosógép leírása, 64-65

Vezérlőpanel, 64
A forgódob kinyitása és bezárása, 65
Visszajelző lámpák, 65

Indítás és Programok, 66

Röviden: egy program elindítása, 66
Programtáblázat, 66

Program módosítások, 67

Hőmérséklet beállítása, 67
Centrifugálás beállítása, 67
Funkciók, 67

Mosószerek és mosandók, 68

Mosószeraadagoló fiók, 68
Mosandó ruhák előkészítése, 68
Különleges bánásmódot igénylő darabok, 68
Fehérítő program, 68
Woolmark Platinum Care (Kasmir Platinum), 68

Óvintézkedések és tanácsok, 69

Általános biztonság, 69
Hulladékelhelyezés, 69
Környezetvédelem, 69

Karbantartás és törődés, 70

A víz elzárása és az elektromos áram kikapcsolása, 70
A mosógép tisztítása, 70
A mosószertartó tisztítása, 70
Az ajtó és a forgódob gondozása, 70
A szivattyú tisztítása, 70
A vízbevezető cső ellenőrzése, 70
A mosószertartó tisztítása, 70

Rendellenességek és elhárításuk, 71

Szerviz, 72

Mielőtt a Szervizhez fordulna, 72

**ARISTON**

Üzembehelyezés

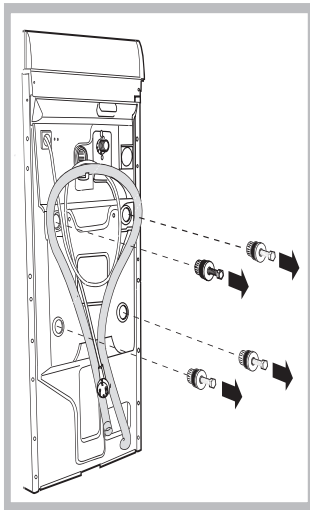
HU

! E kézikönyv megőrzése azért fontos, hogy bármikor elővehesse, és megnézhesse. Ha a mosógépet eladná, átadná vagy másnál helyezné el, gondoskodjon arról, hogy e használati utasítás a géppel együtt maradjon, hogy az új tulajdonos is megismerhesse a mosógép funkcióit és az ezekre vonatkozó figyelmeztetéseket.

! Figyelmesen olvassa el az utasításokat: fontos információkat tartalmaznak az üzembehelyezésről, a használatról és a biztonságról.

Kicsomagolás és vízszintbe állítás

Kicsomagolás



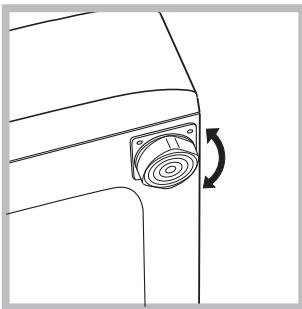
1. Csomagolja ki a mosógépet.
2. Ellenőrizze, hogy a mosógép nem sérült-e meg a szállítás során. Ha a gépen sérülést talál, ne csatlakoztassa, és forduljon a készülék eladóójához.
3. Távolítsa el a hátoldalon található, a szállításhoz felszerelt 4 védőcsavart, valamint a gumit a hozzá tartozó távtartóval (lásd ábra).

4. A furatokat zárja le a tartozékként kapott műanyag dugókkal.
5. Minden darabot őrizzen meg: ha a mosógépet szállítani kell, előtte ezeket vissza kell szerelni.

Figyelem: újbóli használat esetén a rövidebb csavarokat felülre kell szerelni.

! A csomagolóanyag nem gyermekjáték

Vízszintezés



1. A mosógépet sík és kemény padlóra állítsa, úgy, hogy ne érjen falhoz, bútorhoz vagy másához.

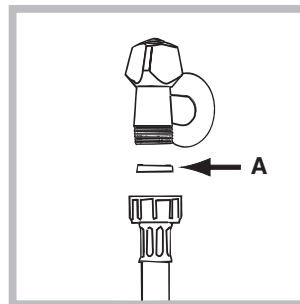
2. Ha a padló nem tökéletesen vízszintes, az első lábak be-, illetve kicsavarásával kompenzálhatja azt

(lásd ábra). A dőlés a gép felső burkolatán mérve nem lehet több, mint 2°.

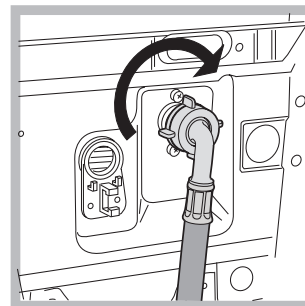
A pontos vízszintezés biztosítja a gép stabilitását, így az a működés során nem fog vibrálni, zajt okozni vagy elmozdulni. Szőnyegpadló vagy szőnyeg esetén a lábakat úgy állítsa be, hogy a mosógép alatt elegendő hely maradjon a szellőzésre.

Víz és elektromos csatlakozás

Vízbevezető cső csatlakoztatása



1. Illessze az A tömítést a vízbevezető cső végére és csavarozza fel a 3/4"-os külső menettel rendelkező hidegvíz csapra (lásd ábra). A csatlakoztatás előtt eresszen ki a csapból vizet addig, amíg a víz teljesen átlátszóvá nem válik.



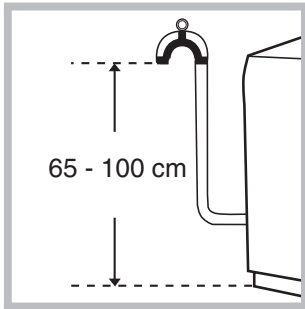
2. Csatlakoztassa a vízbevezető csövet a mosógéphez úgy, hogy azt a hátul jobboldalon fent lévő vízbemeneti csonkra csavarozza (lásd ábra).

3. Ügyeljen arra, hogy a csövön ne legyen törés vagy szűkület.

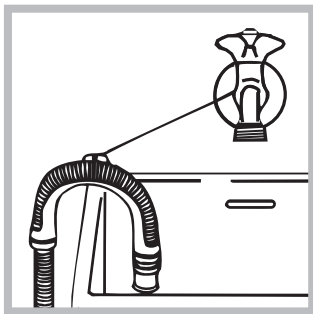
! A csapnál a víznyomásnak a Műszaki adatok táblázatban szereplő határértékek között kell lennie (lásd a szemben lévő oldalt).

! Amennyiben a vízbevezető cső nem elég hosszú, forduljon szaküzlethez vagy megbízott szakemberhez.

A leeresztőcső csatlakoztatása



A leeresztőcsövet csatlakoztassa lefolyóhoz vagy a padlótól 65 és 100 cm közötti magasságban lévő fali lefolyószifonhoz anélkül, hogy megtörné,



vagy akassza a mosdó vagy a kád szélére úgy, hogy a tartozékok között lévő vezetőt a csaphoz erősíti (lásd ábra). A leeresztőcső szabad végének nem szabad vízbe merülnie.

! Toldások használata nem javasolt. Amennyiben feltétlenül szükséges, a toldás átmérője egyezzen meg az eredeti csőével, és semmiképpen se legyen 150 cm-nél hosszabb.

Elektromos bekötés

Mielőtt a csatlakozódugót az aljzatba dugná, bizonyosodjon meg arról, hogy:

- az aljzat földelése megfelel a törvény által előírtak;
- az aljzat képes elviselni a gép Műszaki adatait tartalmazó táblázatban megadott maximális teljesítményfelvételt (lásd szemben);
- a hálózat feszültsége a Műszaki adatokat tartalmazó táblázatban szereplő értékek közé esik (lásd szemben);
- Az aljzat legyen kompatibilis a gép csatlakozódugójával. Ellenkező esetben cserélje ki az aljzatot vagy a csatlakozódugót.

! A mosógép nem állítható fel nyílt téren, még akkor sem, ha a tér tetővel van fedve, mert nagyon veszélyes, ha a gép esőnek vagy zivataroknak van kitéve.

! A csatlakozódugónak könnyen elérhető helyen kell lennie akkor is, amikor a gép már a helyén áll.

! Ne használjon hosszabbítót vagy elosztót.

! Ne legyen a kábel megtörve vagy összenyomva.



! A hálózati kábelt csak megbízott szakember cserélheti.

Figyelem! A gyártó minden felelősséget elhárít, amennyiben a fenti előírásokat figyelmen kívül hagyják.

Első mosási ciklus

Üzembehelyezés után, mielőtt a mosógépet használni kezdené, végezzen egy 90°-os előmosás nélküli mosást mosóporral de mosandó ruha nélkül.

Műszaki adatok

Modell	AVTL 104
Méret	szélesség 40 cm magasság 85 cm mélység 60 cm
Ruhatóltet:	1-től 5 kg-ig
Elektromos csatlakozás	feszültség 220/230 Volt 50 Hz maximális felvett teljesítmény 1850 W
Vízcsatlakozások	maximális nyomás 1 MPa (10 bar) minimális nyomás 0,05 MPa (0,5 bar) dob űrtartalma 42 liter
Centrifuga fordulatszám	1000 fordulat/perc-ig
IEC456 szabvány Szerinti vezérlőprogramok	3-as program; hőmérséklet 60°C; 5 kg ruhatóltettel végezve.
	Ez a berendezés megfelel a következő Uniói Előírásoknak: - 73/02/19-i 73/23/CEE előírás (Alacsony feszültség) és annak módosításai - 89/05/03-i 89/336/CEE előírás (Elektromágneses összeférhetőség) és annak módosításai - 2002/96/CE
	

HU

Üzembehelyezés

Leírás

Programok

Mosószer

Övintézkedések

Karbantartás

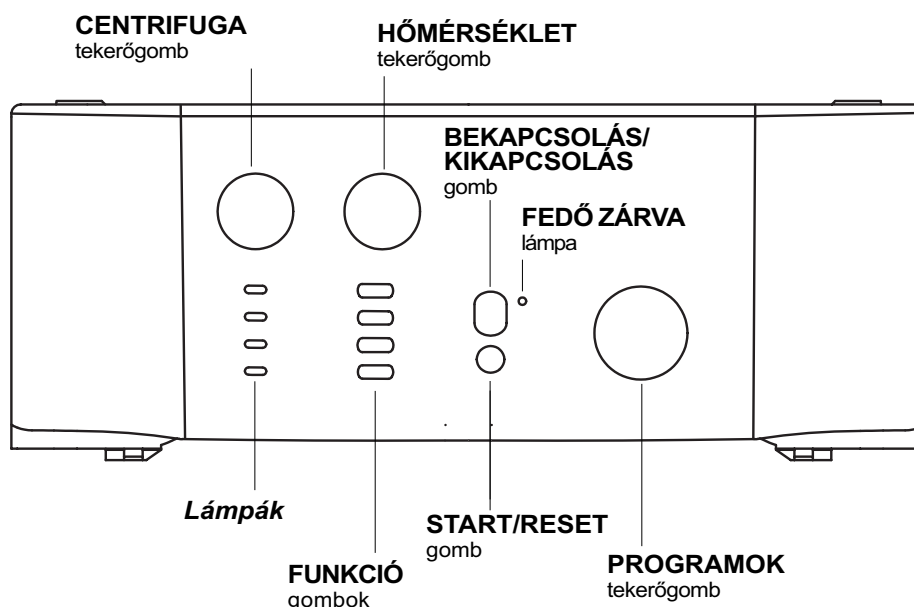
Rendellenségek

Szerviz

A mosógép leírása

HU

Vezérlő panel



Mosószer rekesz a mosószer és adalékanyagok betöltésére (lásd 68. old.).

Lámpák a mosási program állapotának jelzésére. Ha be van állítva az Időkésleltetés funkció, a program indulásáig hátralévő időt mutatják (lásd 65. old.).

CENTRIFUGA tekerőgomb, a centrifuga beállítására vagy kiiktatására (lásd 67. old.).

FUNKCIÓ gombok az elérhető funkciók kiválasztására. A kiválasztott funkcióhoz tartozó gomb égre marad.

HŐMÉRSÉKLET tekerőgomb a mosási hőmérséklet vagy a hidegmosás kiválasztására (lásd 67. old.).

KIKAPCSOLÁS/BEKAPCSOLÁS gomb a mosógép ki- és bekapcsolására.

START/RESET gomb a programok elindítására vagy a helytelen beállítások törlésére.

BEKAPCSOLVA/FEDŐ ZÁRVA lámpa a mosógép bekapcsolt állapotát (villog) és a fedő nyitható állapotát jelzi (folyamatosan ég) (lásd 65. old.).

PROGRAMOK tekerőgomb a programok beállítására (lásd 66. old.).

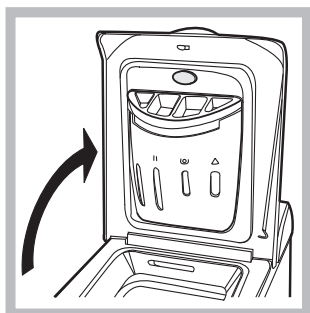
A program futása alatt a tekerőgomb nem mozdul.

☞ **BEKAPCSOLVA/AJTÓ ZÁRVA** lámpa:

A világító visszajelző lámpa azt jelzi, hogy a véletlen nyitás megakadályozására a mosógépaajtó be van zárva; az esetleges károk elkerülése érdekében, mielőtt kinyitná, várja meg, amíg a lámpa villogni kezd.

! A BEKAPCSOLVA/AJTÓ ZÁRVA lámpa gyors villogása és egy másik lámpa egyidejű felvillanása hibát jelez. Hívja a Szakszervizet!

A forgódob kinyitása és bezárása



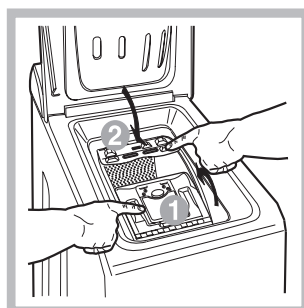
1. ábra



2. ábra



3. ábra



4. ábra

A) KINYITÁS (1. ábra). Felemelni a külső fedőlapot és teljesen kinyitni.

B) Ezután mindkét kézzel kinyitni a forgódobot, mint azt a 2) ábra jelzi:

- a 2. ábrán nyíllal jelölt nyomógombot megnyomni és enyhe nyomást gyakorolva lefelé az egyik kezet rátámasztani, amivel elkerülhető, hogy az ajtók hirtelen kinyílásával az ujjak megsérüljenek.
- végül kézzel vezetve az ajtók kikattannak és könnyen kinyílnak.

C) RUHANEMŰ BEHELYEZÉSE. (3. ábra)

D) BEZÁRÁS. (4. ábra)

- először az elülső ajtót leeresztve majd a hátsót ráhajtva jól bezárni a forgódobot.
- ellenőrizni, hogy az elülső ajtó kampói tökéletesen illeszkednek-e a hátsó ajtóban lévő helyükre.
- a kattánás „klak” észlelése után mindkét ajtóra enyhe nyomást gyakorolni lefelé, melyeknek nem szabad kikattanni.
- végül a külső fedőlapot bezárni.

Visszajelző lámpák

A visszajelző lámpák fontos információkkal szolgálnak.

A következők olvashatók le róluk:

Folyamatban lévő mosási fázis:

A mosás során a visszajelzők egymás után gyulladnak meg, ezzel jelezve a program előrehaladását:

Előmosás

Mosás

Öblítés

Centrifugálás

Megjegyzés: a vízűrités (szivattyúzás) során a centrifugálási fázishoz tartozó visszajelző világít.

Funkció billentyűk

A FUNKCIÓ billentyűk visszajelző lámpaként is működnek.

A funkció bekapcsolásakor a hozzá tartozó billentyű világítani kezd.


Ha a kiválasztott funkció a beállított programmal nem fér össze, a billentyű villog, és a funkció nem lesz bekapcsolva.

Abban az esetben, ha egy másik, korábban kiválasztottal össze nem férő funkciót kapcsol be, csak az utolsóként választott marad bekapcsolva.

Indítás és Programok

HU


Röviden: egy program elindítása

1. Az  billentyű megnyomásával kapcsolja be a mosógépet. Néhány másodpercre az összes visszajelző felgyullad, majd elalszik, és a BEKAPCSOLVA/AJTÓZÁR visszajelző kezd villogni.
2. Rakja be a mosnivalót, töltsse be a mosószeret és adalékanyagokat (lásd 68. oldal), majd zárja össze az dob szárnyait, és csukja le a fedelet!
3. A PROGRAMOK tárcsával állítsa be a kívánt mosóprogramot.




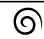

4. Állítsa be a mosási hőmérsékletet (lásd 67. oldal).
5. Állítsa be a centrifugálási fordulatszámot (lásd 67. oldal).

6. A START/RESET billentyű megnyomásával indítsa el a programot.

A törléshez tartsa nyomva a START/RESET billentyűt legalább 2 másodpercen keresztül.

7. A program végeztével a BEKAPCSOLVA/AJTÓZÁR visszajelző villog, azt jelezve, hogy az ajtót ki lehet nyitni. Vegye ki a mosott ruhát, és az ajtót hagyja kicsit nyitva, hogy a dob kiszáradhasson. Az  billentyűvel kapcsolja ki a mosógépet.

Programtáblázat

Kelmék és a szennyeződés természete	Programok	Hőmérséklet	Mosószer		Öblítőszer	Fehérités / Fehéritőszer opció	Ciklus időtartama (perc)	Mosóciklus leírása
			Előmosás	Mosás				
Pamut								
Különösen szennyezett fehér anyagok (lepedő, aszalterítő, stb.)	1	90°C	•	•	•		137	Előmosás, mosás, öblítések, köztes és végső centrifugálások
Különösen szennyezett fehér anyagok (lepedő, aszalterítő, stb.)	2	90°C		•	•	Kíméletes / Hagyományos	129	Mosás, öblítések, köztes és végső centrifugálások
Nagyon szennyezett tartós fehér és színes anyagok	3	60°C		•	•	Kíméletes / Hagyományos	144	Mosás, öblítések, köztes és végső centrifugálások
Kevéssé szennyezett fehér és kényes színes anyagok (ingek pulóverek, stb.)	4	40°C		•	•	Kíméletes / Hagyományos	78	Mosás, öblítések, köztes és végső centrifugálások
Kevéssé szennyezett kényes színes anyagok	5	30°C		•	•	Kíméletes / Hagyományos	70	Mosás, öblítések, köztes és végső centrifugálások
Szintetikus anyagok								
Nagyon szennyezett tartós színes anyagok (csecsemőruházat, stb.)	6	60°C		•	•	Kíméletes	79	Mosás, öblítések, gyűrődésgátlás vagy kíméletes centrifugálás
Nagyon szennyezett tartós színes anyagok (csecsemőruházat, stb.)	7	50°C		•	•	Kíméletes	75	Mosás, öblítések, gyűrődésgátlás vagy kíméletes centrifugálás
Kényes színes anyagok (mindenfajta enyhén szennyezett ruházat)	8	40°C		•	•	Kíméletes	65	Mosás, öblítések, gyűrődésgátlás vagy kíméletes centrifugálás
Kényes színes anyagok (mindenfajta enyhén szennyezett ruházat)	9	30°C		•	•		30	Mosás, öblítések és kíméletes centrifugálás
Kényes anyagok								
Gyapjú	10	40°C		•	•	Kíméletes	45	Mosás, öblítések és kíméletes centrifugálás
Nagyon kényes kelmék (függönyök, selyem, viszkóz, stb.)	11	30°C		•	•		52	Mosás, öblítések, gyűrődésgátlás vagy szivattyúzás
RÉSZLEGES PROGRAMOK								
Öblítés					•			Öblítések és centrifugálás
Kíméletes öblítés					•			Öblítések, gyűrődésgátlás vagy szivattyúzás
Centrifugálás								Szivattyúzás és erős centrifugálás
Kíméletes centrifugálás								Szivattyúzás és kíméletes centrifugálás
Szivattyúzás								Szivattyúzás

Megjegyzések

A gyűrődésgátlás leírásához: lásd Vasalj kevesebbet, szemben lévő oldal. A táblázatban szereplő értékek tájékoztató jellegűek.

Speciális program

Napközbeni 30' (9-es program szintetikus anyagokhoz) programot kevéssé szennyezett ruhák gyors mosására fejlesztettük ki: mindössze 30 percig tart, így energiát és időt takarít meg. A 9-es programot 30°C hőmérsékletre beállítva különböző jellegű anyagokat együttesen lehet mosni (kivéve gyapjú és selyem), maximum 3 kg-os töltéssel. *Folyékony mosószer használatát javasoljuk.*

Hőmérséklet beállítása

A mosási hőmérsékletet a HŐMÉRSÉKLET tárcsa elforgatásával lehet beállítani (lásd a Programtáblázatot a 66. oldalán).

A hőmérsékletet a hideg vízzel történő mosásig lehet csökkenteni .

Centrifugálás beállítása

A kiválasztott programhoz a centrifugálás fordulatszámát a CENTRIFUGA tárcsa elforgatásával lehet beállítani. A különféle programokhoz beállítható maximális fordulatszámok a következők:

Program	Maximális fordulatszám
Pamut	1000 fordulat percenként
Szintetikus anyagok	800 fordulat percenként
Gyapjú	600 fordulat percenként
Selyem	nem

A centrifugálás fordulatszáma csökkenthető, vagy az jelre állítással teljesen kikapcsolható.

A gép automatikusan megakadályozza, hogy az egyes programokhoz maximálisan beállítható fordulatszámnál magasabban centrifugáljon.

Funkciók

A mosógép különféle mosófunkciói lehetővé teszik a kívánt tisztítás és fehérség elérését. A funkciók bekapcsolásához:

1. nyomja meg a kívánt funkcióhoz tartozó billentyűt, az alábbi táblázat szerint;
2. a billentyű világítása azt jelzi, hogy a hozzá tartozó funkció be van kapcsolva.

Megjegyzés: A gyors villogás azt jelenti, hogy a beállított programhoz a billentyűhöz tartozó funkció nem kapcsolható be.

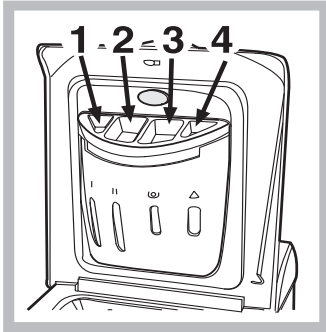
Funkciók	Hatás	Megjegyzések a használathoz	A következő programokkal működik:
Super Wash 	Az A Oszályban szabványosnál láthatóan fehérebb, makulátlan tisztaság elérését teszi lehetővé.	Ez a GYORS funkcióval nem fér össze.	1, 2, 3, 4, 5, 6, 7, 8
Vasalj kevesebbet 	Csökkenti az anyagok gyűrését, ezzel könnyítve a vasalást.	Ezt a funkciót bekapcsolva a 6, 7, 8, 11 programok és a Kíméletes öblítés leáll úgy, hogy a mosott ruha a vízben marad (Gyűrődésgátlás), és az öblítés fázisának visszajelzője villog: - a ciklus befejezéséhez nyomja meg a START/RESET billentyűt; - ha csak le akarja szivattyúzni a vizet, a tárcsát állítsa a szivattyúzás szimbólumára , és nyomja meg a START/RESET billentyűt.	Mindegyik, kivéve: 1, 2, 9, 10, Szivattyúzás.
Gyors 	Nagyjából 30%-kal csökkenti a mosási ciklus idejét.	Ez a SUPER WASH funkcióval nem fér össze.	1, 2, 3, 4, 5, 6, 7, 8 Öblítés
Extra Öblítés 	Növeli az öblítés hatékonyságát.	A mosógép teljes töltése esetén vagy nagymennyiségű mosószeraadagolás esetén javasolt.	1, 2, 3, 4, 5, 6, 7, 8, Öblítések.

Mosószerek és mosandók

HU

Mosószeraadagoló fiók

A mosás eredményessége függ a mosószert helyes adagolásától is: ha túl sokat adagol belőle, a mosás nem lesz hatékonyabb, de hozzájárul ahhoz, hogy lerakódás képződjön a mosógépben, valamint a környezetet is jobban szennyezi.



Húzza ki a mosószeraadagoló fiókot, és a következőképpen tegye bele a mosószert vagy az adalékot.

1. es tartály: Mosószert előmosáshoz (por)

2. rekesz: Mosószert (por vagy folyékony)

A folyékony mosószert helyezze közvetlen a rekeszbe az erre a célra kialakított mérőedénybe.

3. rekesz: Adalékanyagok (lágyítószer, stb.)

Amikor a 3. rekeszbe betölti a lágyítószer, ügyeljen rá, hogy ne lépje túl a "max" jelzést. A lágyítószer automatikusan belekerül a mosógépbe az utolsó öblítéskor. A program végén a 3. rekeszben bizonyos mennyiségű víz marad. Ez a túlságosan suru lágyítószer feloldására, vagy a koncentrátumok hígítására szolgál. Ha a 3. rekeszben több víz marad, mint általában, az az ürítónyílás eltömődését jelenti. A kitisztításához lásd 70. oldal.

4. rekesz: Fehérítőszer

! Ne használjon kézimosószert, mert túlzottan sok hab képződik.

Fehérítő program

A hagyományos fehérítő programot az erős fehér szövetekhez, míg a kímélő fehérítést a színes, szintetikus és gyapjú ruhákhoz használja. A fehérítő adagolásakor ügyeljen arra, hogy ne lépje túl a 4-es rekesz "max" jelzését (lásd ábra). A fehérítő adagolásakor ügyeljen arra, hogy ne lépje túl a 4-es rekesz "max" jelzését (lásd ábra). Amennyiben csak fehérítést akar végezni, öntsön fehérítőt a 4-es rekeszbe és állítsa be az Öblítés programot (☹) (pamut ruhák) vagy a Kímélő öblítést (☺) (szintetikus ruhák).

Mosandó ruhák előkészítése

- Osztályozza a mosandókat a következők szerint:
 - kelme típusa / címkén lévő szimbólum.
 - színek: válogassa külön a színes ruhákat a fehérektől.
- Ürítse ki a zsebeket, és vizsgálja meg a gombokat.
- Ne lépje túl a mosandók száraz súlyára vonatkozóan megadott értékeket:
 - Tartós anyagok: max. 5 kg
 - Szintetikus anyagok: max. 2,5 kg
 - Kényes anyagok: max. 2 kg
 - Gyapjú: max. 1 kg

Milyen nehezek a mosandó ruhák?

- 1 lepedő 400-500 g.
- 1 párnahuzat 150-200 g.
- 1 asztalterítő 400-500 g.
- 1 fürdőköpeny 900-1200 g.
- 1 törülköző 150-250 g.

Különleges bánásmódot igénylő darabok

Függönyök: hajtogatva tegye párnahuzatba (vászonzsákba) vagy hálós zacskóba. Külön mossa őket, és ne lépje túl a fél töltésnyi mennyiséget. Használja a 11-es programot, amelyik automatikusan kikapcsolja a centrifugálást.

Toll/pehely ágyneműk és tollkabátok: ha a benne lévő liba vagy kacsatoll mosógépben mosható. Fordítsa ki a darabokat, és egyszerre legfeljebb 2-3 kg-nyit mosson úgy, hogy egyszer vagy kétszer megismétli az öblítést, és kíméletes centrifugálást használ.

Teniszcipők: tisztítsa meg a sártól. Együtt moshatók a farmer és más tartós anyagokkal, de nem a fehér ruhadarabokkal.

Gyapjú: a legjobb eredmény elérése érdekében használjon speciális mosószert (gyapjúmosószert), és ne lépje túl az 1 kg ruhatöltetet.

Woolmark Platinum Care (Kasmir Platinum)

Kímélő, mint a kézi mosás.

Az Ariston új, igényesebb szabványt vezetett be, amit a The Woolmark Company az értékes Woolmark Platinum Care márkajelzéssel ismert el. Ha a mosógépen a Woolmark Platinum Care logó látható, kitűnő eredménnyel moshatók benne az olyan gyapjú ruhadarabok is, amelyek címkéjén a „Kézzel mosandó” megjelölés olvasható (M.00221):



!Az összes „Kézzel mosandó” ruhadarabhoz a 10-es programot állítsa be, és használjon speciális mosószert.

! A mosógépet a nemzetközi biztonsági szabványoknak megfelelően tervezték és gyártották. Ezeket a figyelmeztetéseket biztonsági okokból írjuk le, és figyelmesen el kell olvasni őket.

Általános biztonság

- A mosógépet csak felnőtt használhatja, és csak az e használati utasításban megadott utasítások szerint.
- Ne érjen a géphez mezítláb, illetve vizes vagy nedves kézzel vagy lábbal.
- A csatlakozódugót az aljzatból ne a kábelt, hanem a csatlakozót fogva húzza ki.
- Ne nyissa ki a mosószeradagoló fiókot, ha a mosógép működik.
- Ne nyúljon a leeresztett vízbe, mert forró lehet.
- Semmiképpen ne feszegesse az ajtót: megsérülhet a véletlen nyitást akadályozó biztonsági retesz.
- Hiba esetén semmiképpen se nyúljon a gép belső részeihez, és ne próbálja megjavítani.
- Mindig ügyeljen arra, hogy gyerekek ne mehessenek a működő gép közelébe.
- A mosás során az ajtó meleg lehet.
- Amennyiben a gépet át kell helyezni, két vagy három személy végezze, maximális figyelemmel. Soha sem egyedül, mert a gép nagyon súlyos.
- A mosandó berakása előtt ellenőrizze, hogy a forgódob üres legyen.

Hulladékelhelyezés

• A régi elektronikus termékek megsemmisítése

Az elektromos készülékek megsemmisítéséről szóló európai direktíva 2002/96/EC előírja, hogy a régi háztartási gépeket nem szabad a normál nem szelektív hulladékgyűjtési folyamat során összegyűjteni. A régi gépeket szelektíven kell összegyűjteni, hogy optimalizálni lehessen a bennük lévő anyagok újrahasznosítását és csökkenteni lehessen az emberi egészségre és környezetre

gyakorolt hatásukat. Az áthúzott "szemeteskuka" jele emlékezteti Önt arra, hogy kötelessége ezeket a termékeket szelektíven összegyűjteni.

A fogyasztóknak a helyi hatóságot vagy kereskedőt kell felkeresniük a régi háztartási gépek helyes elhelyezését illetően.

- Öreg mosógép kidobása: mielőtt a hulladékok közé helyezné, tegye használhatatlanná úgy, hogy elvágja a hálózati kábelt, és letépi az ajtót.

Környezetvédelem

Környezetvédelmet szolgáló technológia

Ha az ajtó üvegén keresztül kevés víz látszik, az azért van, mert az új technológiának köszönhetően az Aristonnak a felénél kevesebb víz is elég ahhoz, hogy maximális tisztítóhatást érjen el: egy olyan cél, amelyet a környezet megóvása érdekében tűztünk ki.

Takarítson meg mosószert, vizet, energiát és időt

- Annak érdekében, hogy ne pazaroljunk az erőforrásokkal, a mosógépet teljes ruhatöltettel kell használni. Egy teljes ruhatöltettel való mosás két féltöltet helyett, akár 50% energia megtakarítást is lehetővé tehet.
- Az előmosás csak nagyon szennyezett ruhák esetén szükséges. Ha nem használja, azzal mosószert, időt és 5-15% energiát takarít meg.
- Ha a foltokat a mosás előtt folttisztítóval kezeli, és beáztatja, kevesebb szükség lesz a magas hőmérsékletű mosásra. A 60°C-on történő mosás a 90°C helyett, vagy 40°C-on 60°C helyett akár 50% energiamegtakarításhoz is vezethet.
- Ha a mosószert a víz keménysége, a szennyezettség mértéke és a ruha mennyisége alapján helyesen adagolja, elkerüli a pazarlást és nem terheli feleslegesen a környezetet: még, ha biológiailag lebomló fajtájúak is, a mosószerek olyan összetevőket tartalmaznak, amelyek megváltoztatják a természet egyensúlyát. Ezen kívül, kerülje az öblítőszer használatát, amennyire csak lehet.
- Ha a késő délután és a kora hajnal közötti időszakban mos, akkor hozzájárul ahhoz, hogy csökkentse az áramszolgáltató vállalatok terhelését.
- Ha a mosott ruhákat utána szárítógépben szárítja, magas fordulatszámú centrifugálást válasszon. Ha a mosott ruhában kevés a víz, időt és energiát takarít meg a szárítóprogramnál.

HU

Üzembehelyezés

Leírás

Programok

Mosószerek

Övintézkedések

Karbantartás

Rendellenességek

Szerviz

Karbantartás és törődés

HU

A víz elzárása és az elektromos áram kikapcsolása

- Minden mosás után zárja el a vízcsapot. Így kíméli a mosógép vízrendszerét, és megszünteti a vízszivárgás kockázatát.
- Húzza ki a hálózati csatlakozódugót az aljzatból, amikor a mosógépet tisztítja vagy karbantartást végez.

A mosógép tisztítása

A külső részeket és a gumi részeket langyos szappanos vizes ronggyal tisztíthatja. Ne használjon oldószert vagy súrolószert.

A mosószeradagoló fiók tisztítása

Vegye ki a fiókot úgy, hogy felemeli és kifelé húzza (lásd ábra).

Folyóvíz alatt mossa ki. Ezt a tisztítást gyakran el kell végezni.

Az ajtó és a forgódob gondozása

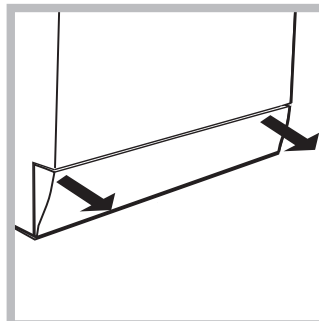
- Az ajtót hagyja mindig részre nyitva, nehogy rossz szagok keletkezzenek.

A szivattyú tisztítása

A mosógép öntisztító szivattyúval van felszerelve, melynek nincs szüksége tisztítási és karbantartási műveletre. Az azonban megtörténhet, hogy kis tárgyak kerülnek (aprópénz, gomb) a szivattyút védő előkamrába, ami a szivattyú alsó részén található.

! Győződjön meg róla, hogy a mosóprogram véget ért, és húzza ki a hálózati csatlakozót.

Az esetlegesen a dob mellé esett tárgyak kiemeléséhez:



1. vegye le a mosógép elülső oldalán alul elhelyezkedő részt kézzel meghúzva a szélén (lásd ábra);

2. az óra járásával ellentétes irányban forgatva csavarja le a fedelet (lásd ábra): természetes, hogy egy kevés víz kifolyik;

3. gondosan tisztítsa ki a belsejét;

4. csavarja vissza a fedelet;

5. szerelje vissza a panelt úgy, hogy mielőtt azt a gép felé nyomná,

meggyőződik arról, hogy a horgok a hozzájuk tartozó furatokba illeszkednek.

A vízbevezető cső ellenőrzése

Évente legalább egyszer ellenőrizze a gumicsövet. Ki kell cserélni, ha repedezett vagy hasadozott: a mosás során a nagy nyomás hirtelen szakadást okozhat.

! Soha ne alkalmazzon már használt csöveket.

A mosószertartó tisztítása

Kivétel:

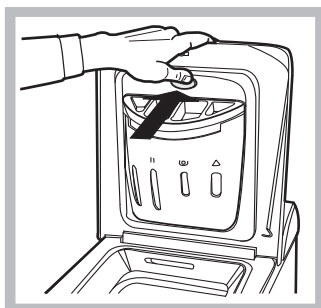
Enyhe nyomást gyakorolni a mosószertartó elülső részén levő nagy nyomógombra és felfelé kihúzni (1. ábra).

Tisztítás:

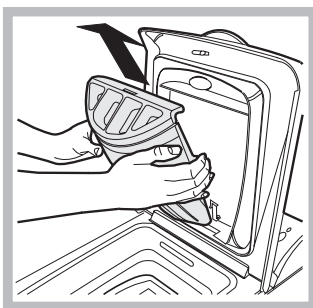
Ezután kitisztítani vízcsap alatt a tartót (3. ábra) egy régi fogkefe segítségével és az 1-es és 2-es rekeszek felső részébe illesztett két szivornyát kihúzva (4. ábra) megvizsgálni, hogy azok ne legyenek eltömődve majd leöblíteni.

Visszahelyezés:

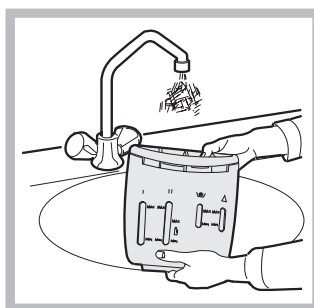
Ne felejtse el visszailleszteni a két szivornyát a megfelelő helyére és végül a tokjába beakasztva visszatenni a tartót.



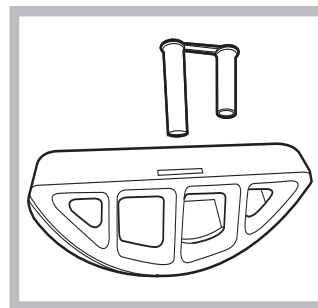
4. ábra



4. ábra



4. ábra



4. ábra

Rendellenességek és elhárításuk



Megtörténhet, hogy a mosógép nem működik. Mielőtt felhívna a Szervizt (lásd 72. oldal) ellenőrizze, hogy nem olyan problémáról van szó, amely a következő lista segítségével egyszerűen megoldható.


Rendellenességek:

Lehetséges okok / Megoldás:

A mosógép nem kapcsol be.

- A hálózati csatlakozódugó nincs bedugva az aljzatba, vagy nem eléggé ahhoz, hogy jól érintkezzen.
- Nincs áram a lakásban.

A mosási ciklus nem indul el.

- Az ajtó nincs jól becsukva (a Fedő Blokkolva lámpa villog).
- Nem nyomta meg az  billentyűt.
- Nem nyomta meg a START/RESET billentyűt.
- A vízcsap nincs nyitva.

A mosógép nem vesz fel vizet .

- A vízbevezető cső nincs csatlakoztatva a csaphoz.
- A cső meg van törve.
- A vízcsap nincs nyitva.
- A lakásban nincs víz.
- Nincs elegendő nyomás.
- Nem nyomta meg a START/RESET billentyűt.

A mosógép folytonosan szívja és lereszti a vizet.

- A leeresztőcső nem a padlószinttől 65 és 100 cm közötti magasságban van felszerelve (lásd 63. oldal).
- A leeresztőcső vége vízbe merül (lásd 63. oldal).
- A fali szifonnak nincs szellőzése.

Ha ezen vizsgálatok után a probléma nem oldódik meg, zárja el a vízcsapot, kapcsolja ki a mosógépet és hívja ki a szervizszolgálatot. Ha a lakás egy épület legfelsőbb emeleteinek egyikén található, lehetséges, hogy a csatorna-szellőző eltömődésének jelensége (szivornyahatás) lépett fel, ezért a mosógép folytonosan szívja és lereszti a vizet. Ezen kellemetlenség elkerülésére a kereskedelmi forgalomban rendelkezésre állnak csatorna-szellőző szelepek.

A mosógép nem ereszti le a vizet, vagy nem centrifugál.

- A program nem ereszti le a vizet: némelyik programnál manuálisan kell elindítani (lásd 66. oldal).
- Be van kapcsolva a Vasalj kevesebbet opció: a program befejezéséhez nyomja meg a START/RESET billentyűt (lásd 67. oldal).
- A leeresztőcső meg van törve (lásd 63. oldal).
- A lefolyó el van dugulva.

A mosógép nagyon rázkódik a centrifugálás alatt.

- Az üzembehelyezéskor nem távolították el a forgódob rögzítését (lásd 62. oldal).
- A mosógép nem áll vízszintben (lásd 62. oldal).
- A mosógép a bútor és a fal köté van szorítva (lásd 62. oldal).

A mosógépből elfolyik a víz.

- A vízbevezető cső nincs jól felcsavarva (lásd 62. oldal).
- A mosószeradagoló fiók eltömődött (a tisztítást lásd a 70. oldalon).
- A leeresztőcső nincs jól rögzítve (lásd 63. oldal).

A BEKAPCSOLVA/AJTÓZÁR visszajelző gyorsan villog legalább egy másik visszajelzővel együtt.

- Hívja a Szervizt, mert rendellenességet jelez.

Sok hab képződik.

- A mosószer nem mosógépekhez való (kell, hogy szerepeljen rajta, hogy „gépi”, „kézi vagy gépi mosáshoz”, vagy hasonló).
- Túl sok mosószert használt.

U

Üzembehelyezés

Leírás

Programok

Mosószer

Övintézkedések

Karbantartás

Rendellenességek

Szerviz

Mielőtt a Szervizhez fordulna:

- Győződjön meg arról, hogy a hibát nem tudja maga is elhárítani (*lásd 71. oldal*);
 - Újból indítsa el a programot, hogy lássa, elhárította-e a hibát;
 - Ellenkező esetben forduljon a megbízott Szakszervizhez: a telefonszámot a garanciajegyen találja.
- ! Soha ne forduljon nem megbízott szerelőhöz.

Közölje:

- a meghibásodás jellegét;
- a mosógép modelljét (Mod.);
- a gyártási számot (Sorsz.).

Ezen információk a mosógép hátsó részére felerősített táblán találhatóak.