

TOP AND CABINET PARTS

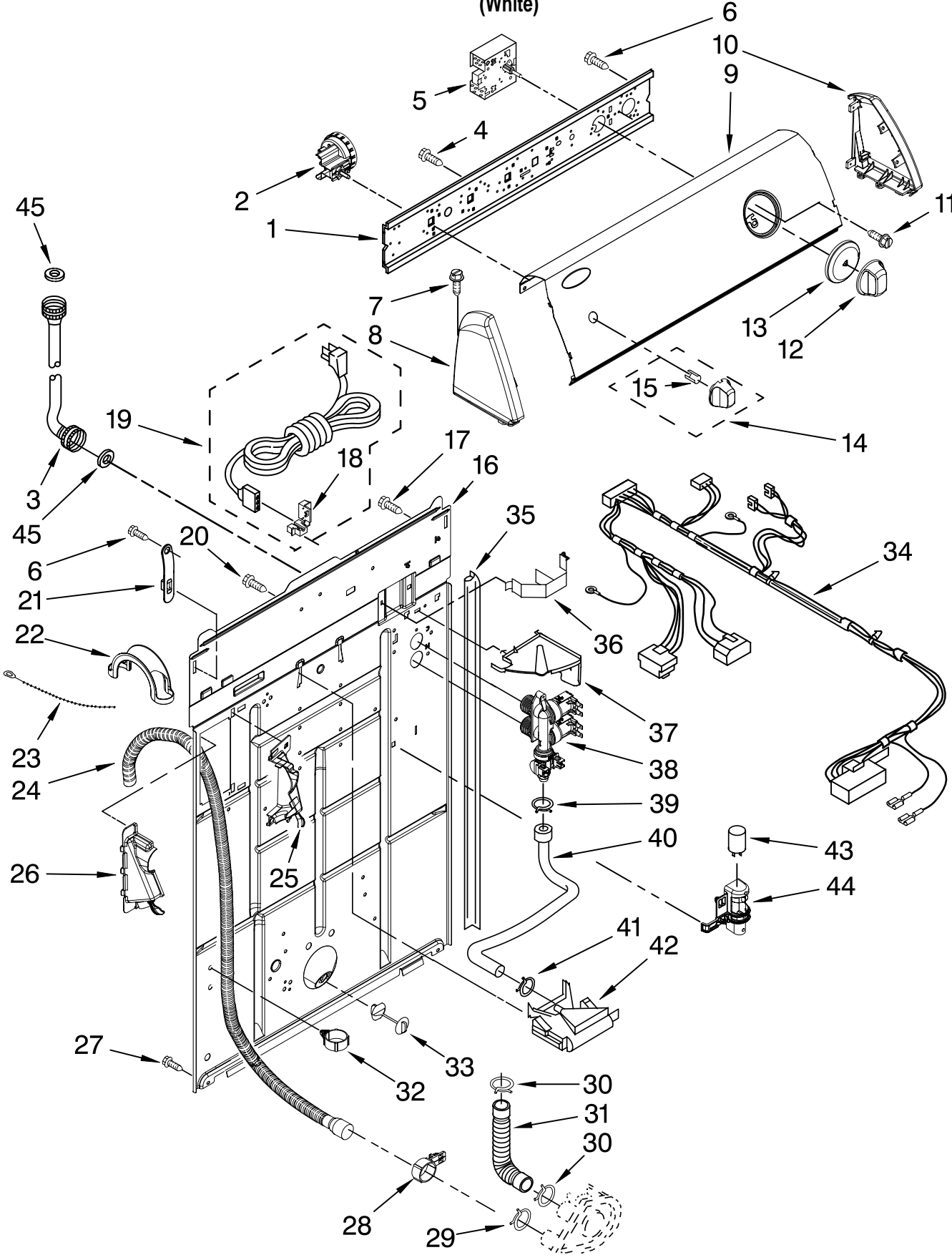
For Model: NTW5205TQO
(White)

Illus. No.	Part No.	DESCRIPTION
1		Literature Parts
	W10044800	Installation Instructions
	W10092679	Use & Care Guide
	W10092677	Feature Sheet
	W10092752	Energy Guide
	8578871	Wiring Diagram
2	W10093700	Lid
3	9724509	Bumper, Lid (2)
4	W10119872	Screw, Lid Hinge Mounting (4)
5	8318088	Hinge, Lid (L.H.)
6	54583	Hinge, Lid (R.H.)
7	19119	Bumper, Lid Hinge
8	3351614	Screw, Ground
9	8318084	Switch, Lid
10	62780	Clip, Top & Cabinet & Rear Panel (2)
11	3362952	Dispenser, Bleach
12	8318064	Top
13	357213	Nut, Push-In (2)
14	21258	Bearing, Lid Hinge (2)
15	3357011	Screw, 10-16 x 1/2
16	62750	Spacer, Cabinet To Top (4)
17	63424	Cabinet
18	3390631	Screw, 10-16 x 3/8 (4)

FOR ORDERING INFORMATION REFER TO PARTS PRICE LIST

CONTROLS AND REAR PANEL PARTS

For Model: NTW5205TQ0
(White)



FOR ORDERING INFORMATION REFER TO PARTS PRICE LIST

CONTROLS AND REAR PANEL PARTS

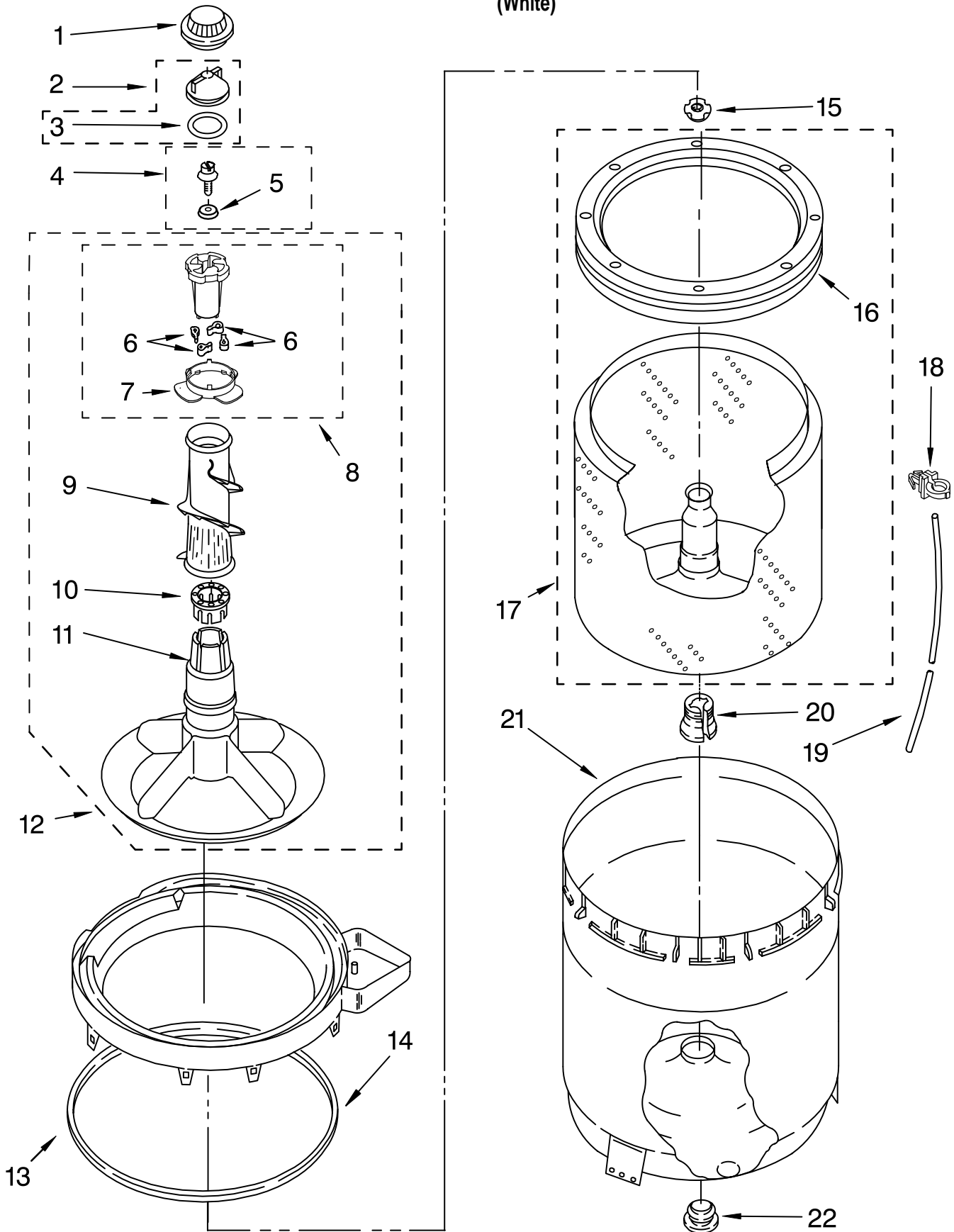
For Model: NTW5205TQO
(White)

Illus. No.	Part No.	DESCRIPTION	Illus. No.	Part No.	DESCRIPTION	Illus. No.	Part No.	DESCRIPTION
1	3948608	Bracket, Control	15	8536939	Clip, Knob	32	8541667	Clamp, Hose
2	8577845	Switch, Water Level	16	8318015	Panel, Rear	33	8519200	Support, Rear Panel
3		Hose, Water Inlet (2)	17	3351614	Screw, Ground	34	3958089	Harness, Wiring (For Detail See Pages 9 & 10)
	8571377	Blue Coupler	18	3952821	Strain Relief, Power Cord			
	8571378	Red Coupler	19	8578842	Cord, Power	35	62747	Pad, Rear Panel
4	3400073	Screw, Ground	20	9740848	Screw, 8-18 x 1/2	36	8055003	Clip, Harness & Pressure Switch
5	8578869	Timer (Motor Not A Service Part)	21	8568314	Strap, Console (2)	37	8539874	Shield, Suds
6	90767	Screw, 8/18 x 3/8	22	8577378	U-Bend, Drain Hose	38	8578340	Valve, Water Inlet W/Bi-Metal
7	388326	Screw, 8-18 x 1.25 (Panel To Top)	23	3347868	Cable Tie	39	301958	Clamp, Hose
8	8271365	Cap, End (L.H.)	24	W10122138	Drain Hose Assembly (Includes Items 28 & 32)	40	8317974	Hose, Vacuum Break
9	W10089722	Panel, Console	25	8541669	Bucket, Drain Hose (Left Half)	41	370450	Clamp, Hose
10	8271359	Cap, End (R.H.)	26	8541658	Bucket, Drain Hose (Right Half)	42	387606	Break, Vacuum
11	3400818	Screw, Timer Mounting	27	62863	Srew, 10-16 x 3/8	43	8572717	Capacitor, Motor Start
12	W10110045	Knob, Timer	28	8541668	Clamp, Hose	44	8318046	Clip, Capacitor
13	W10110046	Dial, Timer	29	8317496	Clamp, Hose	45	3976300	Washer, Water Inlet Hose (4) (1-1/16 x 5/8)
14	W10110047	Knob, Control	30	3363366	Clamp, Hose			
			31	3951449	Hose, Pump To Tub (Includes Item 30)			

FOR ORDERING INFORMATION REFER TO PARTS PRICE LIST

AGITATOR, BASKET AND TUB PARTS

For Model: NTW5205TQ0
(White)



FOR ORDERING INFORMATION REFER TO PARTS PRICE LIST

AGITATOR, BASKET AND TUB PARTS

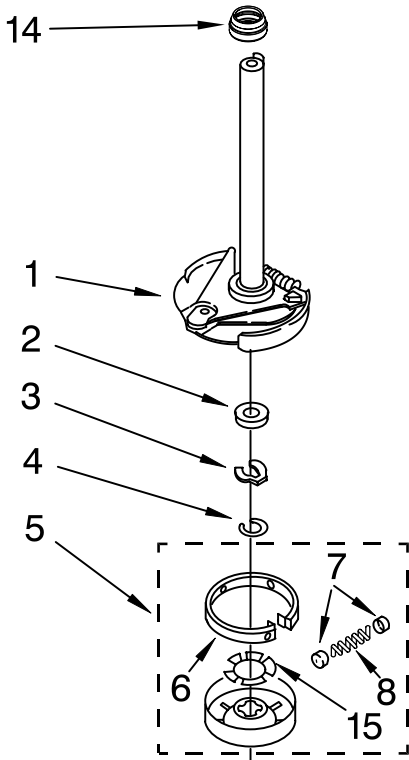
For Model: NTW5205TQ0
(White)

Illus. No.	Part No.	DESCRIPTION
1	3355758	Cap, Agitator
2	3354733	Cap, Barrier
3	3348855	Seal, Inner Cap
4	358237	Screw & Washer
5	3949550	Washer
6	3366877	Dog, Agitator
7	3363661	Bearing – Driven Cam
8	3363663	Cam, Driven
9	3348752	Clothes Mover
10	3350389	Spacer, Thrust
11	W10110786	Agitator
12	W10110785	Agitator (Complete)
13	W10093698	Tub Ring
14	3976308	Gasket, Tub Ring
15	21366	Nut, Spanner
16	8519788	Balance Ring
17	W10093703	Basket
18	2219077	Clip, Pressure Switch Hose
19	3347780	Hose, Pressure Switch
20	389140	Block, Basket
21	63849	Tub
22	383727	Gasket, Centerpost

FOR ORDERING INFORMATION REFER TO PARTS PRICE LIST

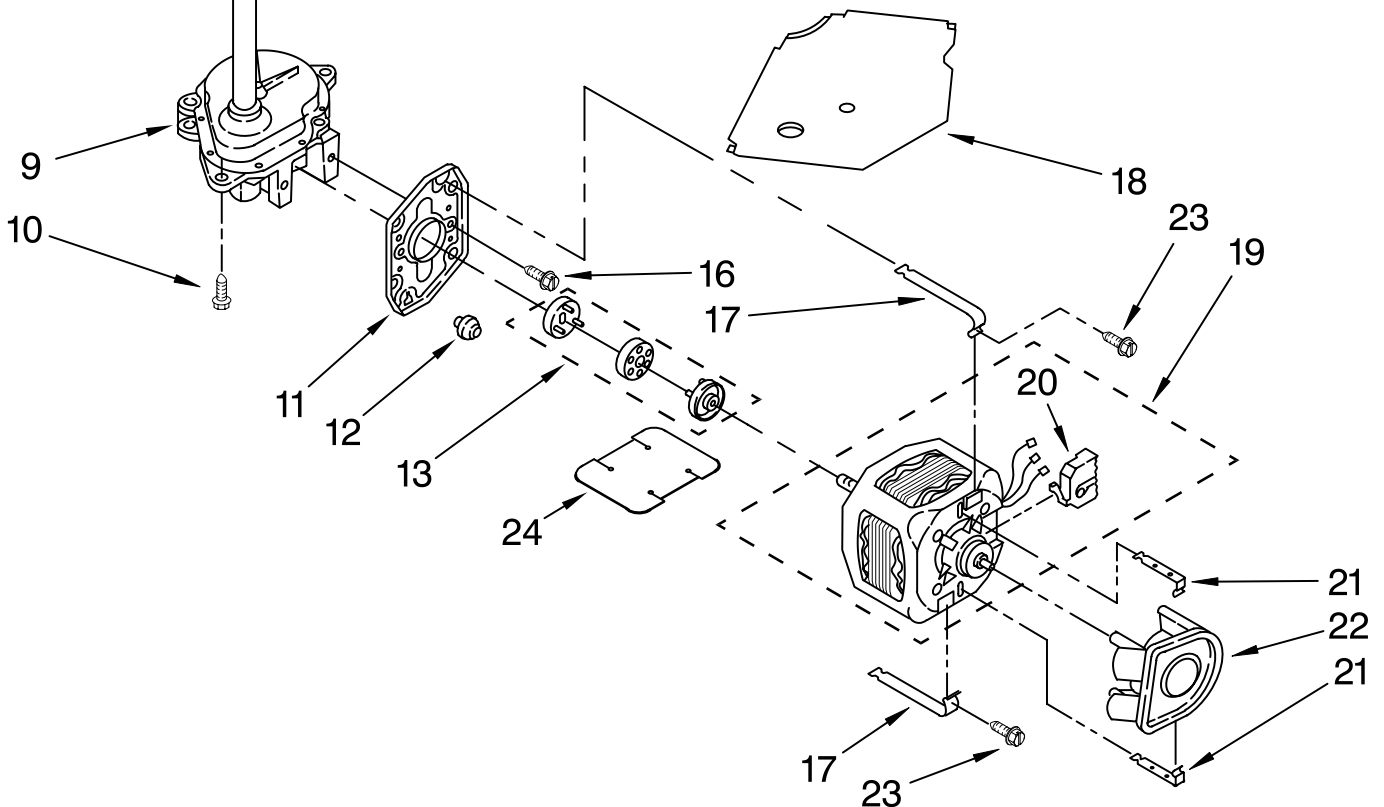
BRAKE, CLUTCH, GEARCASE, MOTOR AND PUMP PARTS

For Model: NTW5205TQO
(White)



Illus. No.	Part No.	DESCRIPTION
1	388952	Brake & Drive Tube (Complete) (Refer to Page 11 For Further Breakdown)
2	63292	Washer, Spin Tube Thrust
3	62697	Ring, Spin Tube Support
4	63283	Ring, Retainer
5	3951311	Clutch (Complete)
6	3951308	Band & Lining, Clutch (Includes Items 7 & 8)
7	62646	Cap, Clutch Spring (2)
8	3946792	Spring & Damper Assembly
9	3360630	Gearcase (Complete) (Refer To Page 12 For Further Breakdown)

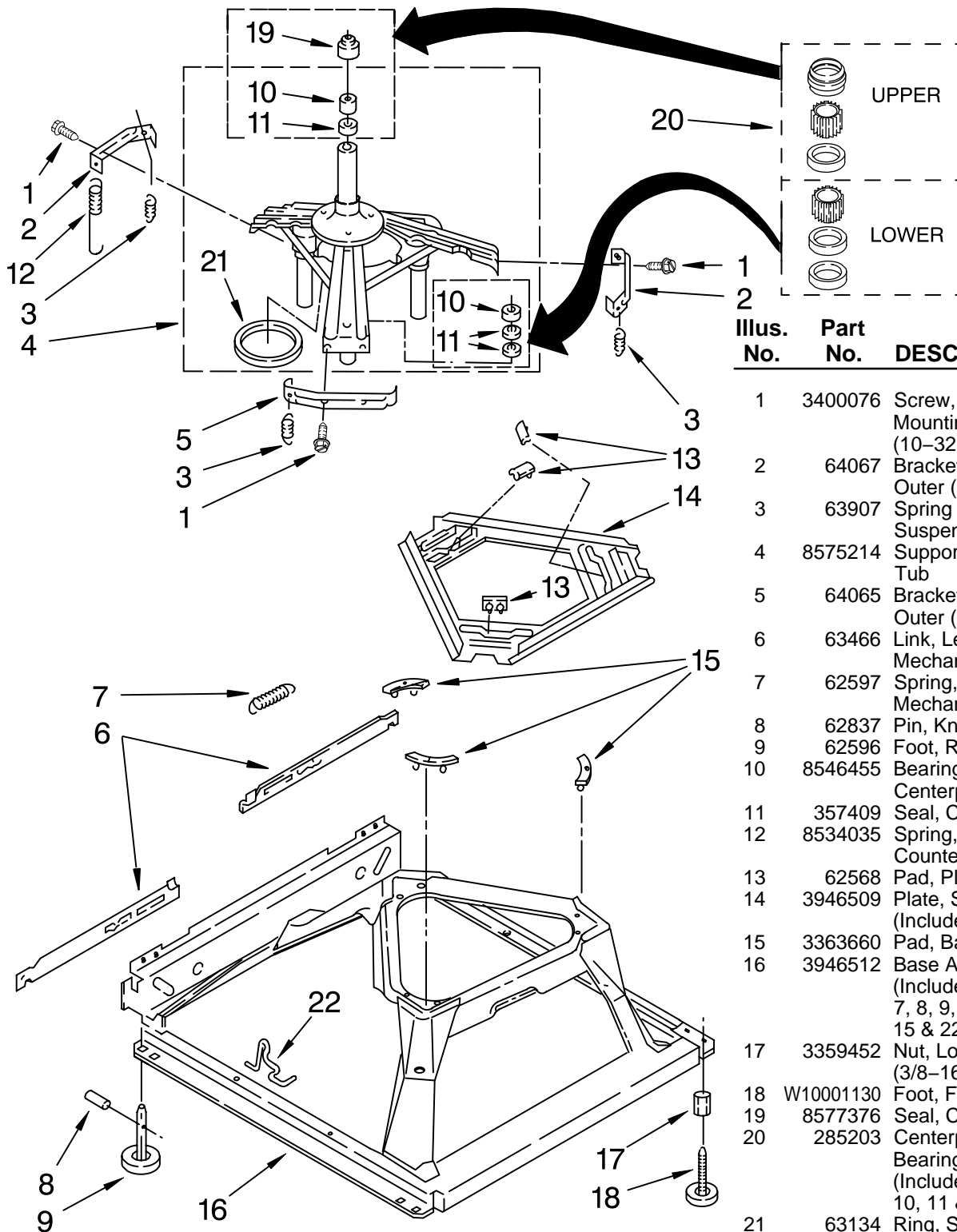
Illus. No.	Part No.	DESCRIPTION
10	3357334	Screw, Gearcase To Base (3)
11	62611	Plate, Motor Mount To Gearcase
12	62691	Grommet, Motor (4)
13	3364003	Coupling, Motor & Isolation
14	8577374	Seal
15	3355454	Clip, Anti-Rattle
16	3400516	Screw
17	3349637	Retainer, Motor (2)
18	3362089	Shield, Tub To Motor
19	8528158	Motor, Main Drive
20	3952056	Switch, Main Drive Motor
21	8546127	Retainer, Pump (2)
22	3363394	Pump (Complete)
23	3387485	Screw, 10-16 x 5/8
24	3946532	Shield, Motor



FOR ORDERING INFORMATION REFER TO PARTS PRICE LIST

MACHINE BASE PARTS

For Model: NTW5205TQ0
(White)

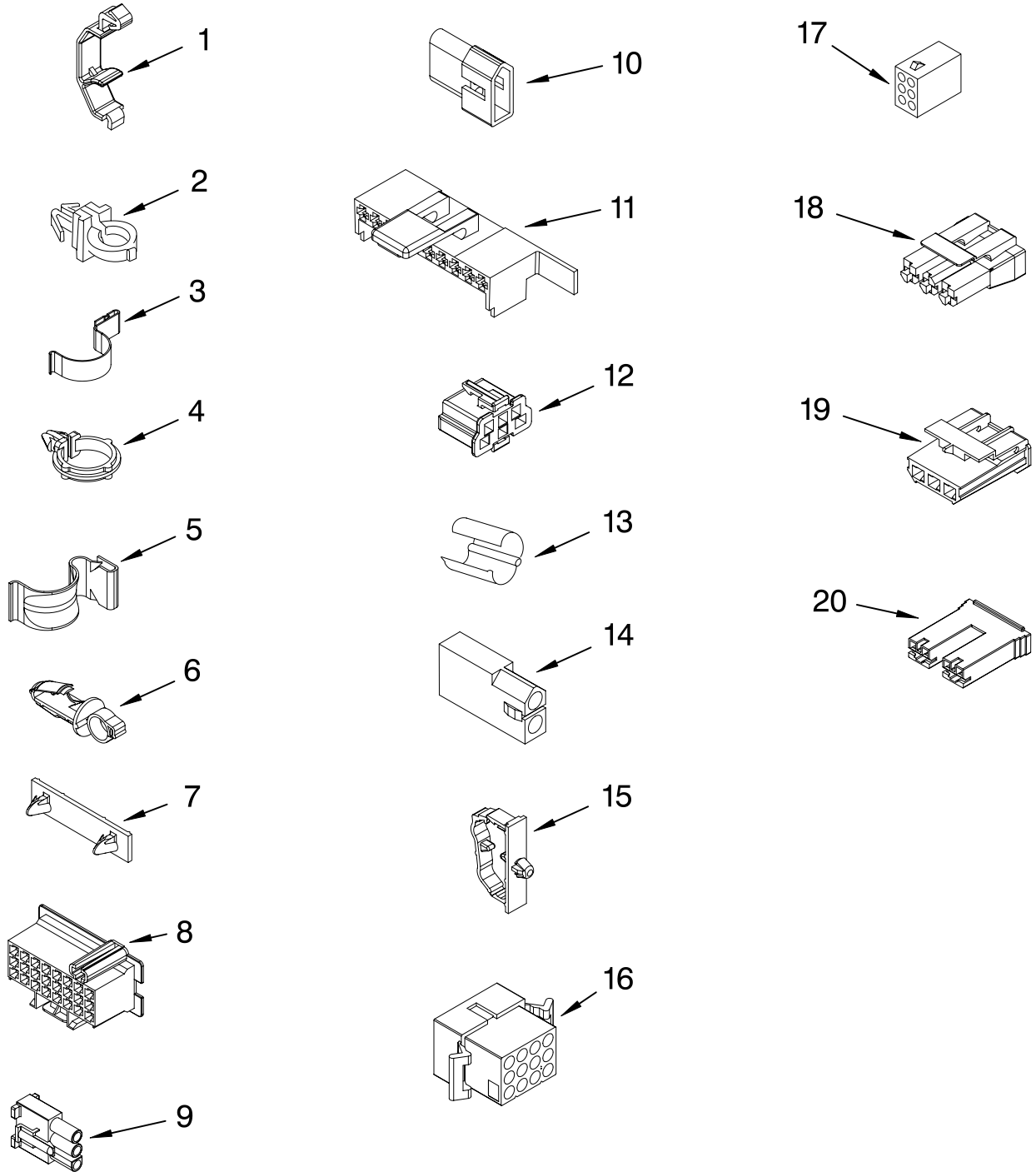


Illus. No.	Part No.	DESCRIPTION
1	3400076	Screw, Bracket Mounting (10-32 x 5/8)
2	64067	Bracket, Spring Outer (2)
3	63907	Spring Suspension,(3)
4	8575214	Support & Brake, Tub
5	64065	Bracket, Spring Outer (L.F.)
6	63466	Link, Leveling Mechanism (2)
7	62597	Spring, Leveling Mechanism
8	62837	Pin, Knurled
9	62596	Foot, Rear (2)
10	8546455	Bearing, Centerpost (2)
11	357409	Seal, Centerpost (3)
12	8534035	Spring, Counterweight
13	62568	Pad, Plate
14	3946509	Plate, Suspension (Includes Item 13)
15	3363660	Pad, Base
16	3946512	Base Assembly (Includes Items 6, 7, 8, 9, 13, 14, 15 & 22)
17	3359452	Nut, Lock (2) (3/8-16)
18	W10001130	Foot, Front (2)
19	8577376	Seal, Centerpost
20	285203	Centerpost Bearing Kit (Includes Items 10, 11 & 19)
21	63134	Ring, Sound Deadening
22	63806	Retainer, Suspension Spring

FOR ORDERING INFORMATION REFER TO PARTS PRICE LIST

WIRING HARNESS PARTS

For Model: NTW5205TQ0
(White)



WH2J

WIRING HARNESS PARTS

For Model: NTW5205TQ0
(White)

Illus. No.	Part No.	DESCRIPTION	Illus. No.	Part No.	DESCRIPTION	Illus. No.	Part No.	DESCRIPTION
1	3349557	Retainer, Harness	9	62889	Receptacle, Terminal (3-Way)	16	3390423	Block, Disconnect (12-Way)
2	388498	Clip, Harness				17	3347730	Receptacle (6-Way)
3	3347812	Clip, Harness	10	353424	Plug, Terminal (3-Way)	18	3948617	Connector (T.P.A.) (3-Circuit)
4	3352501	Clip, Harness (Push-In)	11	62505	Block, Disconnect (Motor 2 Speed)	19	3360056	Plug (T.P.A.) (3-Circuit)
5	90016	Clip, Harness (Half-Harness)	12	3347243	Block, Disconnect			(Pressure Switch)
6	3390496	Clip, Harness	13	63523	Protector	20		Block, Connector
7	389379	Retainer, Harness	14	717252	Connector (2-Way)		3354925	Natural
8		Timer, Block Disconnect	15	3352944	Clip, Harness		3354926	Red
	3948614	Natural						
	352089	Black						

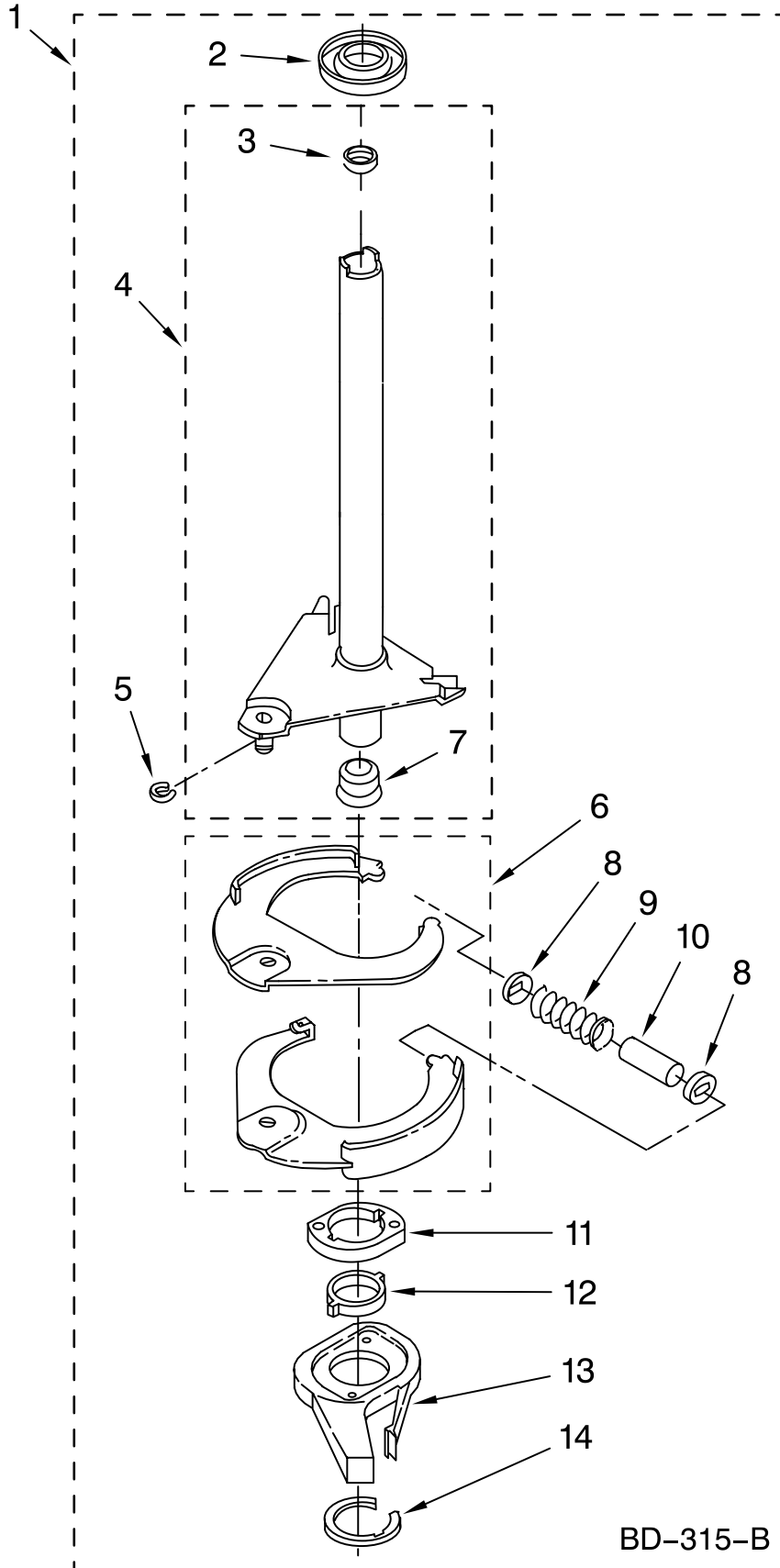
**FOR COMPLETE WIRING HARNESS REFER TO
CONTROL AND REAR PANEL PARTS PAGE**

WH2J

FOR ORDERING INFORMATION REFER TO PARTS PRICE LIST

BRAKE AND DRIVE TUBE PARTS

For Model: NTW5205TQ0
(White)



Illus. No.	Part No.	DESCRIPTION
------------	----------	-------------

1	388952	Brake And Drive Tube (Complete)
2	62658	Ring, Thrust
3	356427	Seal, Drive Tube
4	64027	Tube, Basket Drive (Includes Illus. 3, 4, 5 & 9)
5	64035	Ring, Retaining
6	64232	Shoe, Brake (2)
7	62703	"T" Bearing, Spin Tube
8	3353956	Cap, Brake Spring (2)
9	387806	Spring, Brake
10	3355360	Sleeve, Brake Spring
11	661516	Cam, Brake Release
12	63022	Sleeve, Cam
13	64194	Driver, Brake Cam
14	90368	Ring, Retaining

FOLLOWING PARTS
NOT ILLUSTRATED

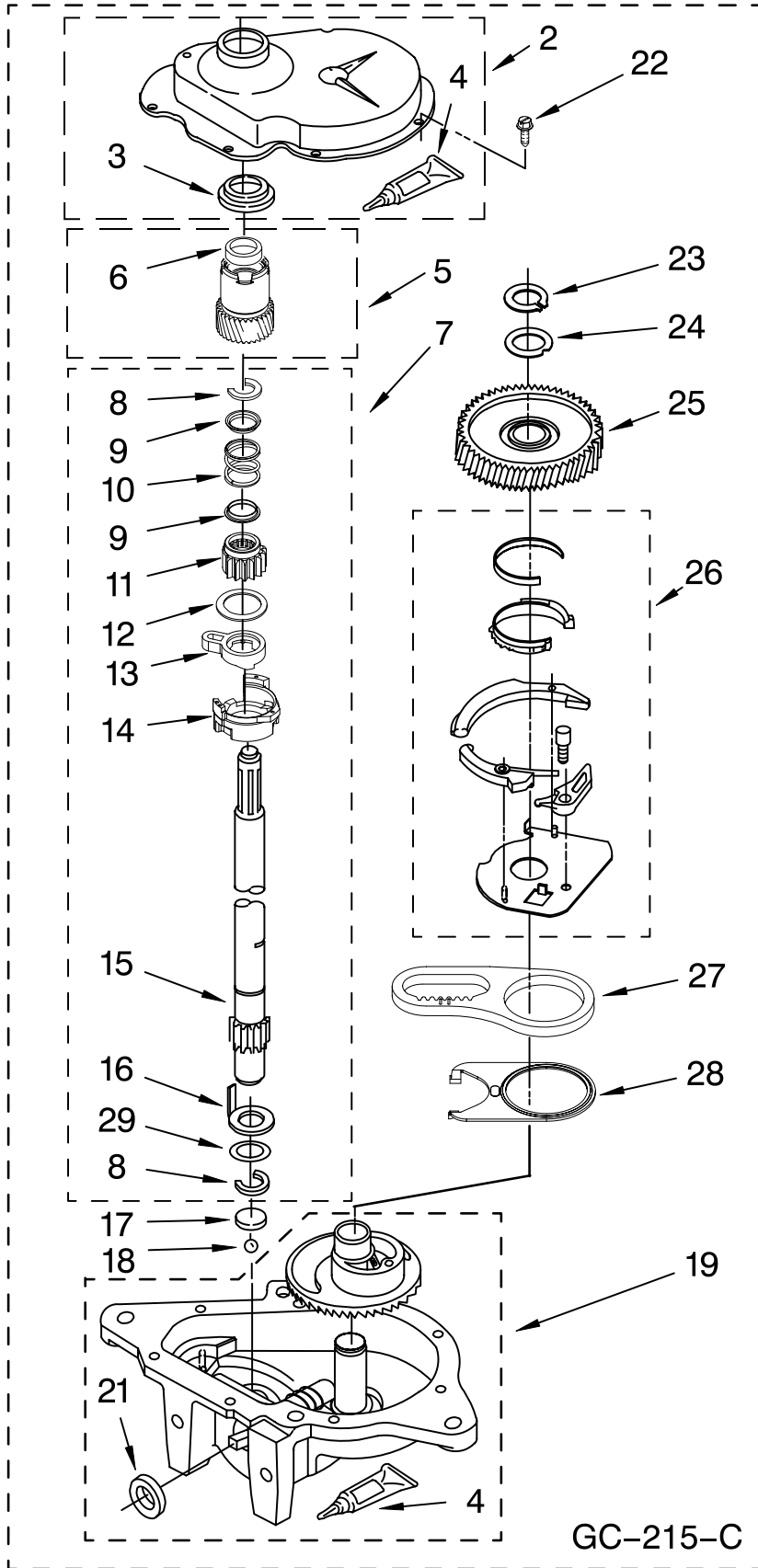
285208 Lubricant
(Use Only In Brake Shoe Assembly On Roller & Pin)

BD-315-B

FOR ORDERING INFORMATION REFER TO PARTS PRICE LIST

GEARCASE PARTS

For Model: NTW5205TQ0
(White)



Illus. No.	Part No.	DESCRIPTION
1	3360630	Gearcase (Complete)
2	285202	Cover, Gearcase
3	3349985	Seal, Gearcase Cover
4	285195	Sealer, Gasket (.20 Fl. Oz.) (6 ml)
5	63320	Pinion, Spin (Includes Illus. 25)
6	356427	Seal, Spin Pinion
7	389387	Shaft, Agitator (Complete)
8	90369	Ring, Retaining (2)
9	62677	Retainer, Spring
10	62676	Spring, Agitate
11	63273	Gear, Agitate (Includes 15 and 29)
12	62619	Washer, Agitate Gear
13	62580	Cam Follower (Includes 14)
14	62581	Cam, Agitate (Includes 13)
15	285509	Shaft, Agitator (Includes 11 and 29)
16	62618	Washer, Cam Thrust
17	16018	Bearing, Thrust
18	85529	Ball, Bearing
19	389230	Bottom and Pinion, Gearcase
21	285352	Seal, Thrust Plug
22	3351614	Screw, Gearcase Cover, Mounting (8) (10-24 x 3/8)
23	3362552	Ring, Retaining
24	285735	Washer Kit, Thrust
25	62570	Gear, Spin
26	388253	Neutral Assembly
27	3349296	Rack, Connecting
28	62621	Actuator, Shift
29	388815	Washer, Intermediate

GC-215-C

FOR ORDERING INFORMATION REFER TO PARTS PRICE LIST

OPTIONAL PARTS (NOT INCLUDED)

For Model: NTW5205TQ0
(White)

<u>Illus. No.</u>	<u>Part No.</u>	<u>DESCRIPTION</u>
-------------------	-----------------	--------------------

PAINT, TOUCH-UP (1/2oz.)

72017 White

PAINT, PRESSURIZED SPRAY (12 oz.)

350938 Primer, Gray
350930 White

PAINT, BULK (1 qt.)

799344 White (Uncut)

OIL

350572 Oil, Gearcase
(16 Oz.)

LUBRICANT

285208 Lubricant (Use
Only in Brake
Shoe Assembly
On Roller and
Pin)

SEALER

285195 Sealer, Gasket
(.20 Fl. Oz.) (6 ml)

ACCESSORY PARTS

367031 Drain Protector
280129 Siphon Break Kit
280130 Drain Hose
Adapter Kit
280131 Drain Hose
Extension Kit

FOR ORDERING INFORMATION REFER TO PARTS PRICE LIST