

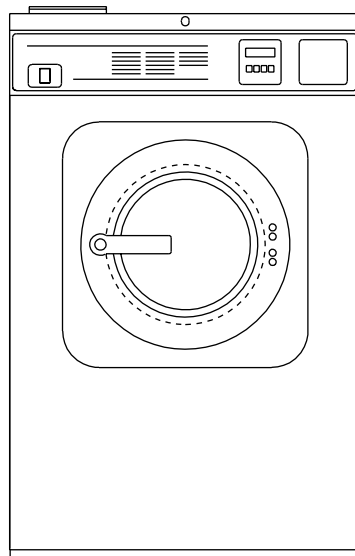
Washer-Extractor

Cabinet Freestanding

Model Numbers

SF18VNV	SF25VCV	UF18VNV
SF25VNV	UF25PNV	UF25VNV

NOTA: El manual en español aparece después del manual en inglés.



— Installation/Maintenance —

Table of Contents

Installation/Maintenance

Safety

Key to Symbols	4
Operator Safety	5
Safe Operating Environment	6
Environmental Conditions	6
Machine Location	7
Input and Output Services	7
AC Inverter Drive	8
Misuse	8

Installation

Machine Overview	9
Delivery Inspection	10
Customer Service	10
Model Number Familiarization Guide	11
General Specifications	12
Dimensional Clearances	14
Machine Foundation	18
Mechanical Installation	19
Mounting Bolt Installation	20
Drain Connection	21
Water Connection	23
Electrical Installation	24
Steam Requirements	27
Chemical Injection Supply System	28
Control Function Test	31

Maintenance

Daily	33
Beginning of Day	33
End of Day	34
Weekly	34
Monthly	34
Quarterly	36
Care of Stainless Steel	36
Maintenance Checklists	38

Removal from Service

Decommissioning	43
-----------------------	----

© Copyright 2002 Alliance Laundry Systems LLC


All rights reserved. No part of the contents of this book may be reproduced or transmitted in any form or by any means without the expressed written consent of the publisher.


Section 1


Safety


Anyone operating or servicing this machine must follow the safety rules in this manual. Particular attention must be paid to the **DANGER, WARNING, and CAUTION** blocks which appear throughout the manual.

The following warnings are general examples that apply to this machine. Warnings specific to a particular installation or maintenance procedure will appear in the manual with the discussion of that procedure.


	CAUTION
Be careful around the open door, particularly when loading from a level below the door. Impact with door edges can cause personal injury.	
SW025	


	DANGER
Death or serious injury can result if children become trapped in the machine. Do not allow children to play on or around this machine. Do not leave children unattended while the machine door is open.	
SW001	

	WARNING
Dangerous voltages are present in the electrical control box(es) and at the motor terminals. Only qualified personnel familiar with electrical test procedures, test equipment, and safety precautions should attempt adjustments and troubleshooting. Disconnect power from the machine before removing the control box cover, and before attempting any service procedures.	
SW005	

	WARNING
This machine must be installed, adjusted, and serviced by qualified electrical maintenance personnel familiar with the construction and operation of this type of machinery. They must also be familiar with the potential hazards involved. Failure to observe this warning may result in personal injury and/or equipment damage, and may void the warranty.	
SW004	

Safety

	CAUTION
Ensure that the machine is installed on a level floor of sufficient strength and that the recommended clearances for inspection and maintenance are provided. Never allow the inspection and maintenance space to be blocked.	
SW020	

	WARNING
Never touch internal or external steam pipes, connections, or components. These surfaces can be extremely hot and will cause severe burns. The steam must be turned off and the pipe, connections, and components allowed to cool before the pipe can be touched.	
SW014	

Key to Symbols



The lightning flash and arrowhead within the triangle is a warning sign indicating the presence of dangerous voltage.



This warning symbol indicates the presence of possibly dangerous chemicals. Proper precautions should be taken when handling corrosive or caustic materials.



The exclamation point within the triangle is a warning sign indicating important instructions concerning the machine and possibly dangerous conditions.



This warning symbol indicates the presence of hot surfaces that could cause serious burns. Stainless steel and steam lines can become extremely hot and should not be touched.



This warning symbol indicates the presence of potentially dangerous drive mechanisms within the machine. Guards should always be in place when the machine is in operation.




This warning symbol indicates the presence of possibly dangerous pinch-points. Moving mechanical parts can crush and/or sever body parts.

Safety

To provide personal safety and keep the machine in proper working order, follow all maintenance and safety procedures presented in this manual. If questions regarding safety arise, contact the factory immediately.

Use factory-authorized spare parts to avoid safety hazards.

Operator Safety

	WARNING
NEVER insert hands or objects into basket until it has completely stopped. Doing so could result in serious injury.	
SW012	


To ensure the safety of machine operators, the following maintenance checks must be performed daily:

1. Prior to operating the machine, verify that all warning signs are present and legible. Missing or illegible signs must be replaced immediately. Make certain that spares are available.
2. Check door interlock before starting operation of the machine:
 - a. Attempt to start the machine with the door open. The machine should not start with the door open.
 - b. Close the door without locking it and attempt to start the machine. The machine should not start with the door unlocked.
 - c. Close and lock the door and start a cycle. Attempt to open the door while the cycle is in progress. The door should not open.

If the door lock and interlock are not functioning properly, call a service technician.

3. Do not attempt to operate the machine if any of the following conditions are present:
 - a. The door does not remain securely locked during the entire cycle.
 - b. Excessively high water level is evident.
 - c. Machine is not connected to a properly grounded circuit.

Do not bypass any safety devices in the machine.

	WARNING
Never operate the machine with a bypassed or disconnected balance system. Operating the machine with severe out-of-balance loads could result in personal injury and serious equipment damage.	
SW039	

Safety

Safe Operating Environment

Safe operation requires an appropriate operating environment for both the operator and the machine. If questions regarding safety arise, contact the factory immediately.

Environmental Conditions

- **Ambient Temperature.** Water in the machine will freeze at temperatures of 32°F (0°C) or below.

Temperatures above 120°F (50°C) will result in more frequent motor overheating and, in some cases, malfunction or premature damage to solid state devices that are used in some models. Special cooling devices may be necessary.

Water pressure switches are affected by increases and decreases in temperature. Every 25°F (10°C) change in temperature will have a 1% effect on the water level.


- **Humidity.** Relative humidity above 90% may cause the machine's electronics or motors to malfunction or may trip the ground fault interrupter. Corrosion problems may occur on some metal components in the machine.

If the relative humidity is below 30%, belts and rubber hoses may eventually develop dry rot. This condition can result in hose leaks, which may cause safety hazards external to the machine in conjunction with adjacent electrical equipment.

- **Ventilation.** The need for make-up air openings for such laundry room accessories as dryers, ironers, water heaters, etc., must

be evaluated periodically. Louvers, screens, or other separating devices may reduce the available air opening significantly.

- **Radio Frequency Emissions.** A filter is available for machines in installations where floor space is shared with equipment sensitive to radio frequency emissions.
- **Elevation.** If the machine is to be operated at elevations of over 3,280 feet (1,000 meters) above sea level, pay special attention to water levels and electronic settings (particularly temperature) or desired results may not be achieved.
- **Chemicals.** Keep stainless steel surfaces free of chemical residues.

	DANGER
Do not place volatile or flammable fluids in any machine. Do not clean the machine with volatile or flammable fluids such as acetone, lacquer thinners, enamel reducers, carbon tetrachloride, gasoline, benzene, naphtha, etc. Doing so could result in serious personal injury and/or damage to the machine.	
SW002	

- **Water Damage.** Do not spray the machine with water. Short circuiting and serious damage may result. Repair immediately all seepage due to faulty gaskets, etc.


Safety

Machine Location

- **Foundation.** The concrete floor must be of sufficient strength and thickness to handle the floor loads generated by the high extract speeds of the machine.
- **Service/Maintenance Space.** Provide sufficient space to allow comfortable performance of service procedures and routine preventive maintenance.

This is especially important in connection with machines equipped with an AC inverter drive.

Consult installation instructions for specific details.

	CAUTION
Replace all panels that are removed to perform service and maintenance procedures. Do not operate the machine with missing guards or with broken or missing parts. Do not bypass any safety devices.	
SW019	

Input and Output Services

- **Water Pressure.** Best performance will be realized if water is provided at a pressure of 30 – 85 psi (2.0 – 5.7 bar). Although the machine will function properly at lower pressure, increased fill times will occur. Water pressure higher than 100 psi (6.7 bar) may result in damage to machine plumbing. Component failure(s) and personal injury could result.


- **Steam Heat (Optional) Pressure.** Best performance will be realized if steam is provided at a pressure of 30 – 80 psi (2.0 – 5.4 bar). Steam pressure higher than 125 psi (8.5 bar) may result in damage to steam components and may cause personal injury.

For machines equipped with optional steam heat, install piping in accordance with approved commercial steam practices. Failure to install the supplied steam filter may void the warranty.

- **Compressed Air.** For machines requiring compressed air service, best performance will be realized if air is provided at a pressure of 80 – 100 psi (5.4 – 6.7 bar).
- **Drainage System.** Provide drain lines or troughs large enough to accommodate the total number of gallons that could be dumped if all machines on the site drained at the same time from the highest attainable level. If drain troughs are used, they should be covered to support light foot traffic.
- **Power.** For personal safety and for proper operation, the machine must be grounded in accordance with state and local codes. The ground connection must be to a proven earth ground, not to conduit or water pipes. Do not use fuses in place of the circuit breaker. An easy-access cutoff switch should be provided.

Safety

Safe Operating Environment (Continued)

	WARNING
<p>Ensure that a ground wire from a proven earth ground is connected to the ground lug near the input power block on this machine. Without proper grounding, personal injury from electric shock could occur and machine malfunctions may be evident.</p>	
<small>SW008</small>	

Always disconnect power and water supplies before a service technician performs any service procedure. Where applicable, steam and/or compressed air supplies should also be disconnected before service is performed.

AC Inverter Drive

Machines equipped with the AC inverter drive require special attention with regard to the operating environment.

- An especially dusty or linty environment will require more frequent cleaning of the AC inverter drive cooling fan filter and of the AC inverter drive itself.
- Power line fluctuations from sources such as uninterruptible power supplies (UPS) can adversely affect machines equipped with the AC inverter drive. Proper suppression devices should be utilized on the incoming power to the machine to avoid problems.
- A clean power supply free from voltage spikes and surges is absolutely essential for machines equipped with the AC inverter drive. Nonlinear inconsistencies (peaks and

valleys) in the power supply can cause the AC inverter drive to generate nuisance errors.

If voltage is above 230V for 200V installations or above 440V for 400V installations, a buckboost transformer is recommended. If voltage is above 240 or 480, a buckboost transformer is required.

- Sufficient space to perform service procedures and routine preventive maintenance is especially important for machines equipped with the AC inverter drive.

Misuse

Never use this machine for any purpose other than washing fabric.

- Never wash petroleum-soaked rags in the machine. This could result in an explosion.
- Never wash machine parts or automotive parts in the machine. This could result in serious damage to the basket.
- Never allow children to play on or around this machine. Death or serious injury can result if children become trapped in the machine. Do not leave children unattended while the machine door is open. These cautions apply to animals as well.

Section 2

Installation

This manual is designed as a guide to the installation and maintenance of the 18-pound and 25-pound capacity freestanding washer-extractors.

Note: All information, illustrations, and specifications contained in this manual are based on the latest product information available at the time of printing. We reserve the right to make changes at any time without notice.

Machine Overview

The design of these machines emphasizes performance and long service life. The cylinder, shell, and main body panels are fabricated of stainless steel.

These machines feature the V-Series microcomputer which offers preprogrammed cycles and programming versatility in the field.

The AC inverter drive control provides programmable motor speeds, using a single motor. This makes it possible to achieve ultra-high extract speeds.

The cylinder is supported by two deep groove, sealed, permanently lubricated bearings. The cylinder is constructed with lifters or ribs that lift the laundry from the bath solution when the cylinder rotates at slow speed and then allow it

to tumble back into the bath. This mechanical action accomplishes the cleaning function. The cylinder is perforated, allowing the water to drain from within during the wash and extract steps.

Water enters the machine through electromechanical water valves, which are controlled by the V-computer. The computer also controls the supply dispenser, drain, and door lock, and selects water levels according to the programmed cycle.

Electrical controls for the machine are housed in a separate enclosure located underneath the top cover of the machine.

The supply dispenser is located on top of the machine. The supply dispenser compartments are accessed by lifting the rubber cover. These compartments accept powder or liquid supplies. Each compartment is controlled independently by the V-computer, and is energized independently of other compartments.

A door-lock system prevents opening of the door when water is in the machine. It also prevents operation of the machine when the door is open. The door lock system contains the door-lock microswitch, output voltage interlock magnetic switch, and the door unlock solenoid.

Installation

Delivery Inspection

Upon delivery, visually inspect crate, protective cover, and unit for any visible shipping damage. If the crate, protective cover, or unit are damaged or signs of possible damage are evident, have the carrier note the condition on the shipping papers before the shipping receipt is signed, or advise the carrier of the condition as soon as it is discovered.

Remove the crate and protective cover as soon after delivery as possible. If any damage is discovered upon removal of the crate and/or protective cover, advise the carrier and file a written claim immediately.

Customer Service

If literature or replacement parts are required, contact the source from whom the machine was purchased or contact Alliance Laundry Systems LLC at (920) 748-3950 for the name of the nearest authorized parts distributor.

For technical assistance, call any of the following numbers:

(850) 718-1025

(850) 718-1026

Marianna, Florida

(920) 748-3121

Ripon, Wisconsin

A record of each machine is on file with the manufacturer. The serial number decal is located at the rear of the machine. Figure 1 shows the location of the serial number on the decal. Always provide the machine's serial number and model number when ordering parts or when seeking technical assistance.

Installation

Model Number Familiarization Guide		
Sample Model Number: UF18VNVQU10001		
SF, UF	Machine Type	F = Freestanding
18, 25	Machine Capacity	
P (V)	Type of Electrical Control	P = WE-6 Computer V = V-computer
N	Non-coin	
V	Variable Speed	
Q	Electrical Characteristics	See Voltage Designation Chart in this section.
U1	Design Series	
0001	Option Identification (varies from machine to machine)	

Model No.	UF18VNVQU10001	
Serial No.	000000000000	
Voltage	200-240	Amps 5
Required Circuit Breaker	Amps 15	
Hz	50-60	Wire 3 Phase 3
Max. Load	18 LB	8 KG
Max. Speed	1080	RPM
Elec. Heating	KW	Steam Press. PSI BAR
<small>ETL LISTED CONFORMS TO ANSI/UL STD. 1555 ANSI/UL STD. 1206</small>		
<small>ETL TESTING LABORATORIES INC. CORTLAND, NEW YORK 13045</small>		
Product No.	500000	Date Code

R08IE3A

Figure 1

Installation

Cabinet Freestanding General Specifications			
	18	25	
<i>Overall Dimensions</i>			
Overall width, in (mm)	29.0 (737)	32.0 (813)	
Overall height, in (mm)	46.0 (1168)	48.5 (1232)	
Overall depth, in (mm)	32.8 (833)	37.0 (940)	
<i>Weight and Shipping Information</i>			
Net weight, lb (kg)	550 (250)	700 (318)	
Domestic shipping weight, lb (kg)	550 (250)	750 (341)	
Domestic shipping volume, ft ³ (m ³)	34.6 (0.98)	N/A	
Export shipping weight, lb (kg)	600 (272)	800 (363)	
Export shipping volume, ft ³ (m ³)	41.44 (1.17)	N/A	
<i>Wash Cylinder Information</i>			
Cylinder diameter, in (mm)	21.0 (533)	24.0 (610)	
Cylinder depth, in (mm)	13.75 (349)	16.0 (406)	
Cylinder volume, ft ³ (l)	2.76 (78)	4.19 (119)	
Perforation size, in (mm)	0.188 (4.77)	0.188 (4.77)	
Perforation open area, %	23	23	
Load capacity (dry cloth weight), lb (kg)	18 (18.6)	25 (11.34)	
<i>Door Opening Information</i>			
Door opening size, in (mm)	12.0 (305)	14.345 (364)	
Height of door bottom above floor, in (mm)	20.4 (518)	20.1 (511)	
<i>Water Consumption</i>			
Average water consumption per cycle, gal (l)	HOT	23 (87)	28 (106)
	COLD	11 (42)	13 (49)
<i>Power Consumption</i>			
Average power used per cycle, kW/hr	0.2*	0.3*	
Nominal sound emission, dBA	58	Data not available	
Average HVAC load, BTU/hr	400 (101)	450 (113)	

*These figures are approximate values only.

Installation

Cabinet Freestanding General Specifications (Continued)		
	18	25
<i>Drive Train Information</i>		
Number of motors in drive train	1	1
Drive motor power, hp (kW)	1.0 (0.75)	2.25 (1.7)
<i>Cylinder Speeds</i>		
Low wash/reverse speed, rpm	29	27
Normal wash/reverse speed, rpm	52	49
Distribution speed, rpm	86	73
Extract 1, rpm	534	500
Extract 2, rpm	685	641
Extract 3, rpm	1080	1011
<i>Centrifugal Force Data</i>		
Low wash/reverse centrifugal force, Gs	0.25	0.80
Normal wash/reverse centrifugal force, Gs	0.80	0.80
Distribution centrifugal force, Gs	2.20	1.80
Extract 1 centrifugal force, Gs	85	85
Extract 2 centrifugal force, Gs	140	140
Extract 3 centrifugal force, Gs	348	348
<i>Load Balancing</i>		
Balance detection system	AC drive	AC drive
<i>Direct Steam Heating (Optional)</i>		
Steam inlet connection size, in (mm)	1/2 NPT (DN15)	1/2 NPT (DN15)
Number of steam inlets	1	1
Steam required to raise bath temperature 10°F, lb (10°C, kg)	LOW	1.13 (0.81)
	MED	1.25 (0.90)
	HIGH	1.45 (1.04)
Average steam use per cycle, BHP (kg)	0.75 (11.7)	0.96 (15)

Installation

Dimensional Clearances

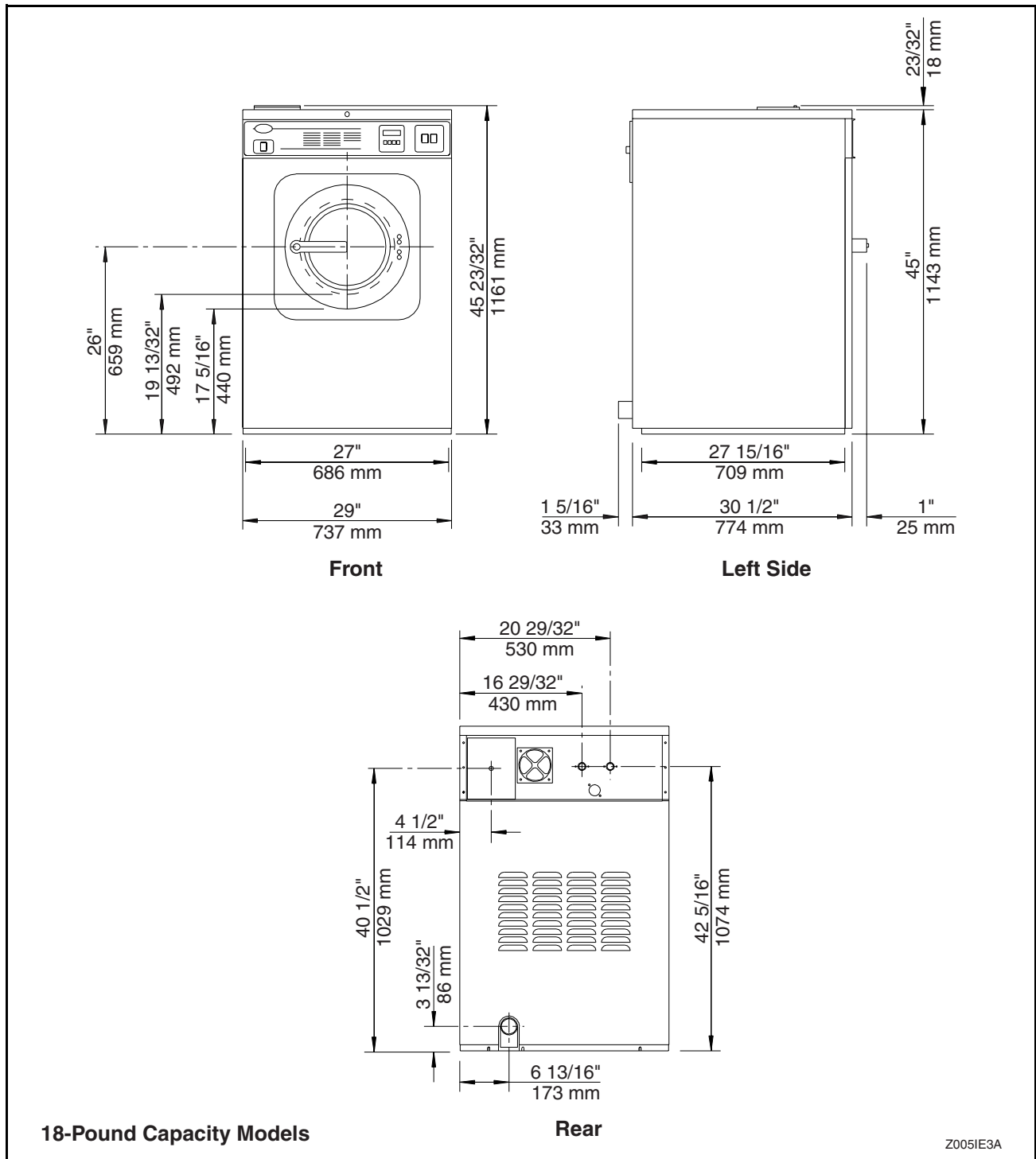
Both single and multiple machine installations require specified minimum clearances on all sides of each machine. The table below shows these clearances.

See Figures 2 and 3 for dimensions of 18-pound and 25-pound capacity models. Figure 4 provides installation guidelines for sites with multiple installations.

Note: The dimensions shown here are for planning purposes only. They are approximate and subject to normal manufacturing tolerances. If exact dimensions are required for construction purposes, contact the distributor or manufacturer. We reserve the right to make changes at any time without notice.

Cabinet Freestanding Recommended Minimum Clearances		
	18 [in (mm)]	25 [in (mm)]
Minimum rear clearance	12 (305)	12 (305)
Minimum clearance between machine and wall	2 (50)	2 (50)
Minimum clearance between machines (side)	1 (25)	1 (25)
Minimum front clearance	16 (406)	17.5 (445)

Installation



Installation

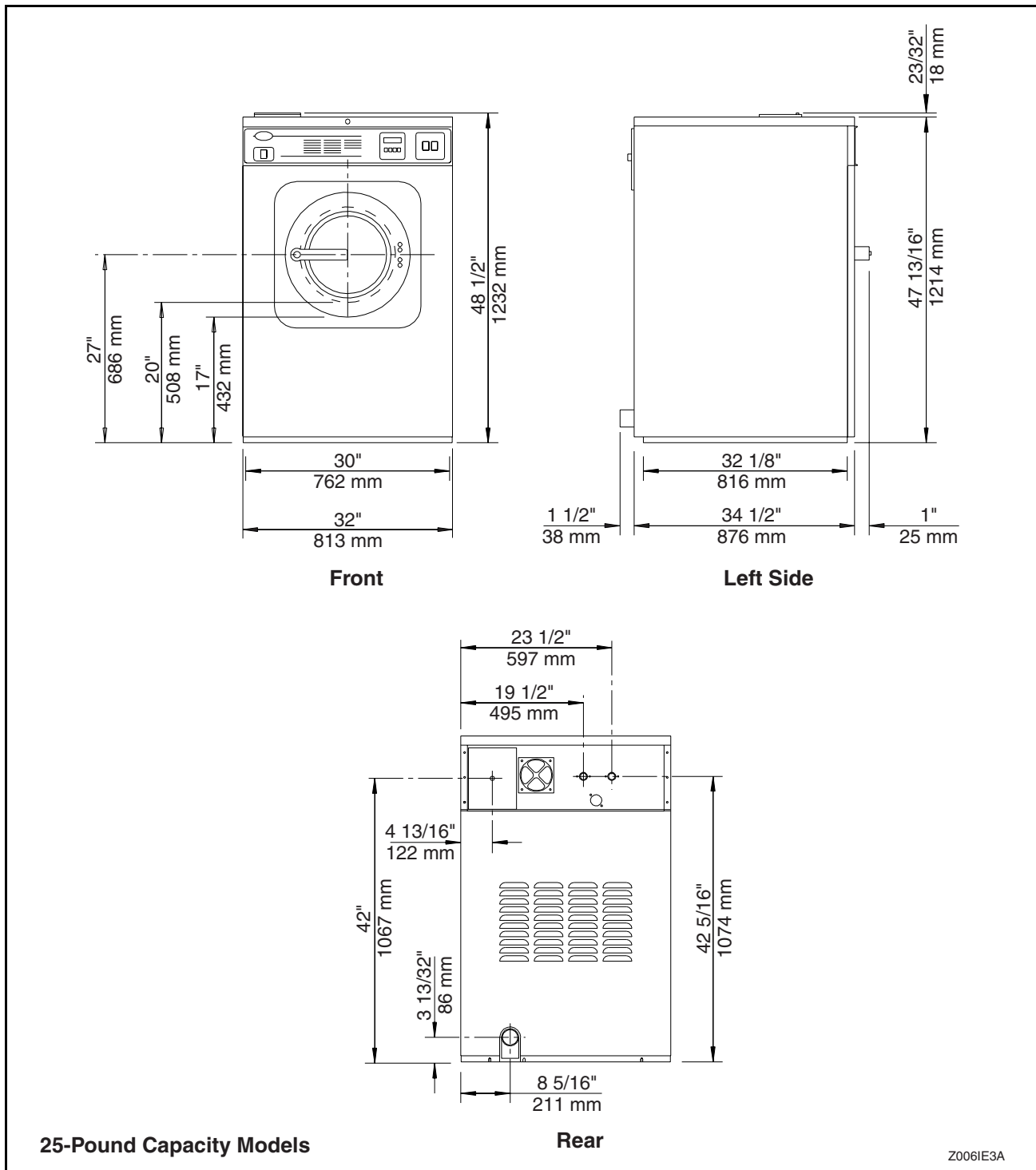


Figure 3

Installation

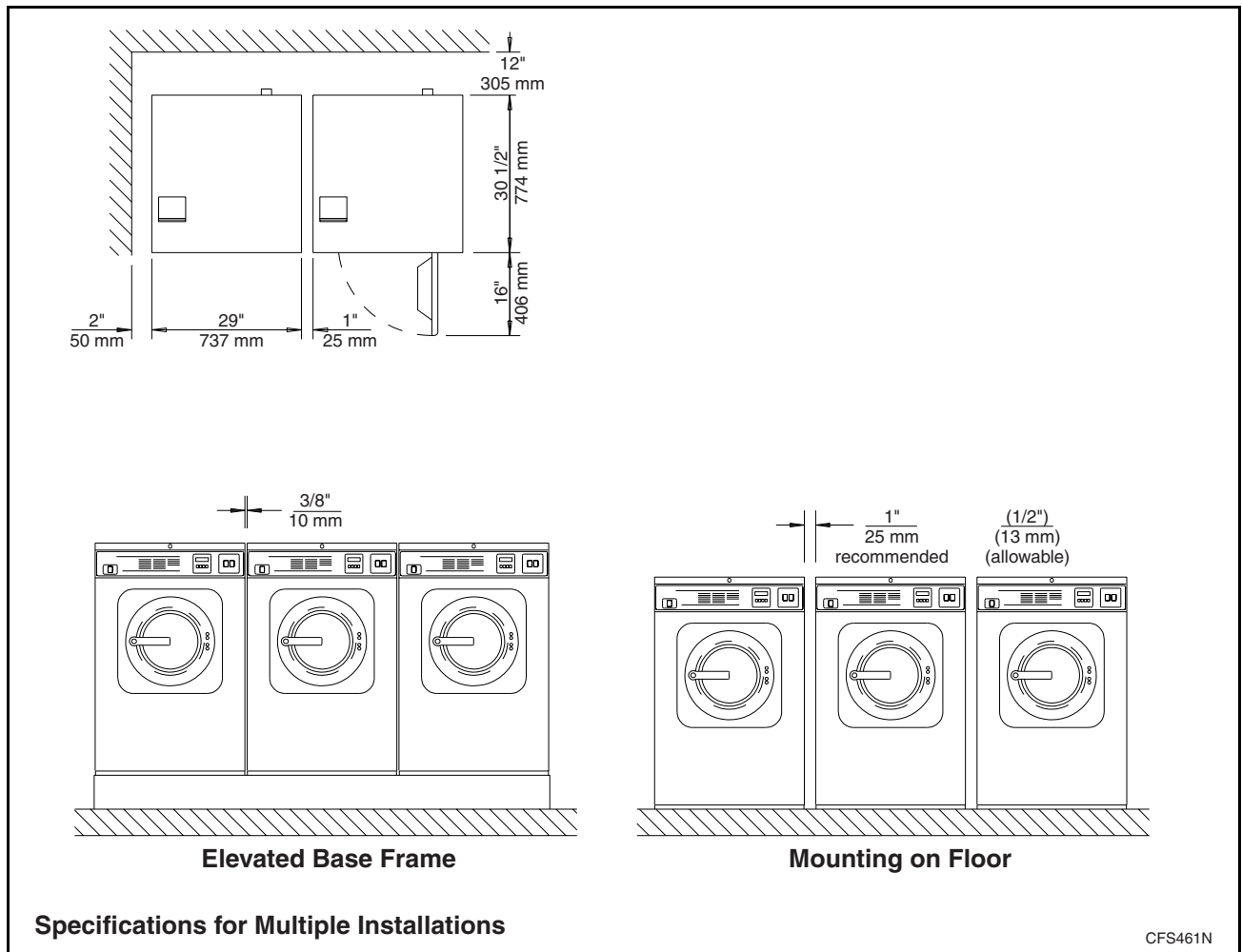



Figure 4

For most installations, a 1-inch (25 mm) clearance between machines is sufficient. When an elevated base frame is used, a 3/8-inch (10 mm) clearance is provided by the base. A clearance of at least 12 inches (305 mm) should be provided behind the washer-extractors, and water inlets should be accessible. See Figure 4.

Installation

Machine Foundation

	CAUTION
<p>Ensure that the machine is installed on a level floor of sufficient strength and that the recommended clearances for inspection and maintenance are provided. Never allow the inspection and maintenance space to be blocked.</p>	
SW020	

The machine must be installed on a smooth, level surface so that the entire base of the machine is supported and rests on the mounting surface. (Do not support the machine on only four points.)

Static and dynamic loads on the floor or foundation are shown in the table below. This table can be used as a reference when designing floors and foundations.

Thoroughness of detail must be stressed with all foundation work to ensure a stable unit installation, eliminating possibilities of excessive vibration during extract.

Cabinet Freestanding Floor Load Data		
	18	25
Static floor load, lbs (kN)	682 (3.03)*	760 (3.40)*
Static pressure, lbs/sq ft (kN/sq m)	130 (6.22)*	115 (5.51)*
Dynamic floor load, lbs (kN)	100 (0.44)*	139 (0.62)*
Maximum dynamic load, lbs (kN)	100 (0.44)*	139 (0.62)*
Dynamic pressure, lbs/sq ft (kN/sq m)	19.1 (0.91)	21.1 (1.01)
Maximum vertical load, lbs (kN)	682 (3.03)	869 (3.87)
Minimum vertical load, lbs (kN)	468 (2.08)	586 (2.61)
Maximum moment about base, lb-ft (kN-m)	72 (0.09)	103 (0.14)
Dynamic load frequency, Hz	18	16.9

*These figures are approximate values only.

Installation

Mechanical Installation

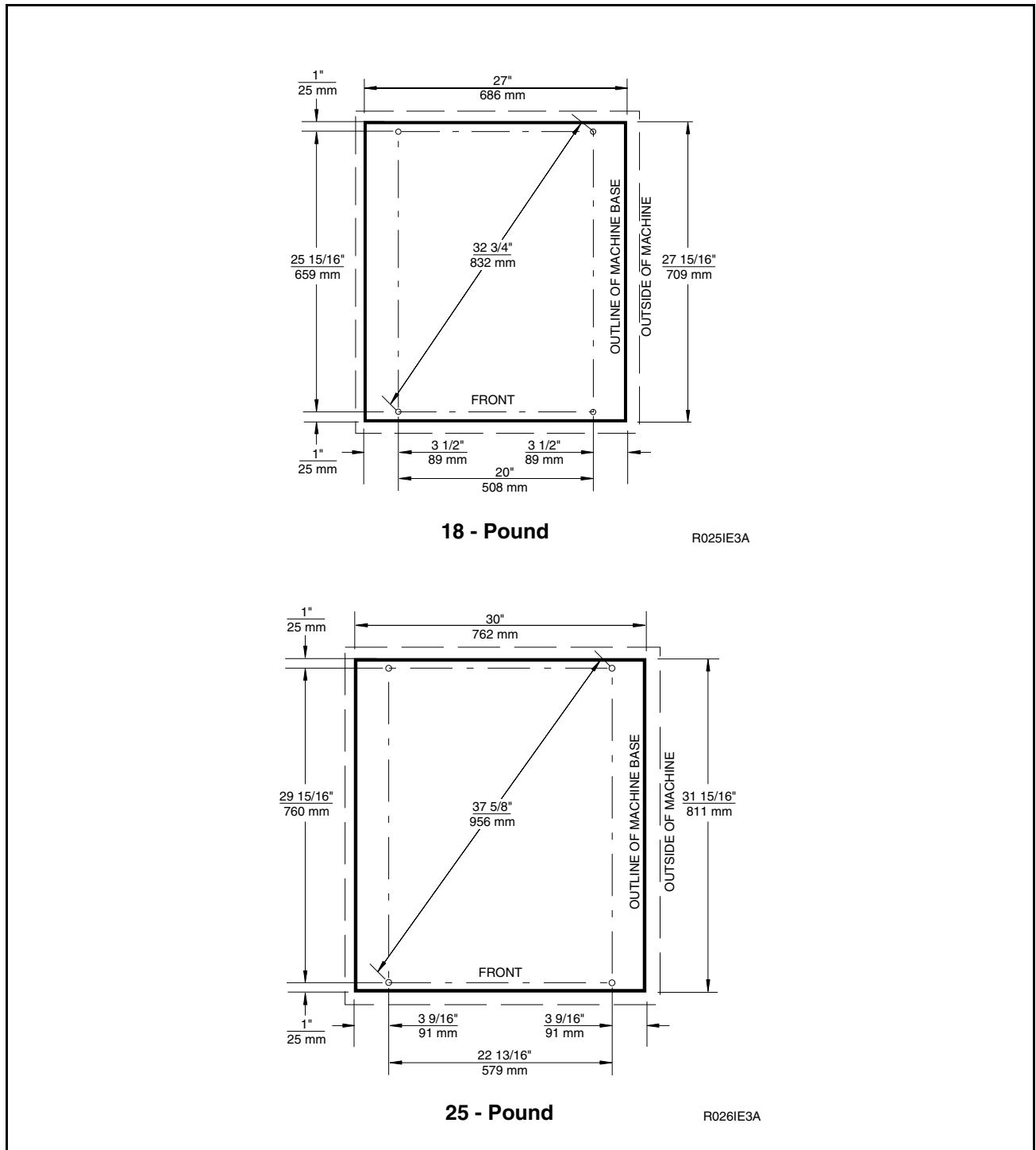


Figure 5

Installation

Mechanical Installation (Continued)

Note: The 18-pound and 25-pound capacity freestanding washer-extractors do not require anchoring unless mandated by state or local codes.

Mounting Bolt Installation

The 18-pound and 25-pound capacity freestanding washer-extractors use 3/4-11 x 8 inch anchor bolts. The bolts should be embedded in a 3500 psi minimum reinforced concrete floor that is a minimum of 6 inches thick. Use the mounting bolt layouts in Figure 5. (The front of the washer-extractor is the bottom of each diagram.) See Figure 6 for detailed mounting bolt information.

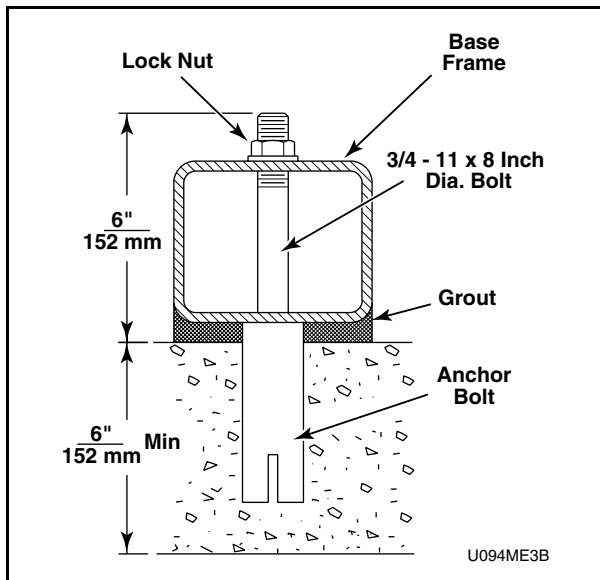


Figure 6

After the concrete has cured, proceed as follows:

1. Place the machine adjacent to the foundation. Do not attempt to move it by pushing on the sides.

2. Remove the wood skid by unscrewing the carriage bolts holding it to the bottom frame of the machine.
3. Carefully place the machine over the anchor bolts. Raise and level it 1/2 inch above the floor on three points, using spacers such as nut fasteners.
4. Fill the spaces between the machine base and floor with machinery grout. Grout completely under all frame members. Remove front and rear panels to gain access to all frame members. Force grout under the machine base until all voids are filled.
5. Remove the spacers carefully, allowing the machine to settle into the wet grout.
6. Position washers and locknuts on machinery anchor bolts and fingertighten to machine base.
7. After the grout is completely dry, tighten the locknuts by even increments – one after the other – until all are tightened evenly and the machine is fastened securely to the floor.
8. Remove the four red transport brackets which secure the moving components of the machine during shipping. See Figure 7 for typical transport bracket locations on 18-pound and 25-pound capacity freestanding models.

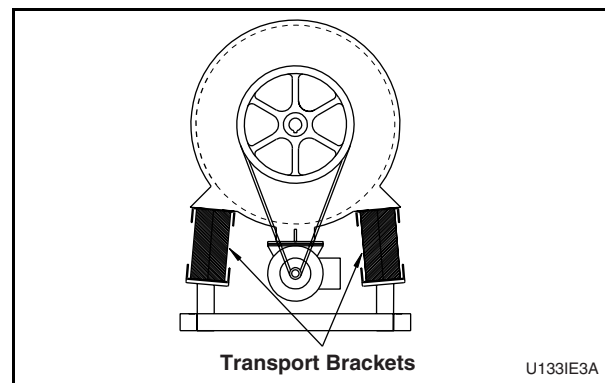


Figure 7

Installation

Drain Connection

A drain system of adequate capacity is essential to washer-extractor performance. Ideally, the water should empty through a vented pipe directly into a sump or floor drain. Figures 8 and 9 show drain line and drain trough configurations.

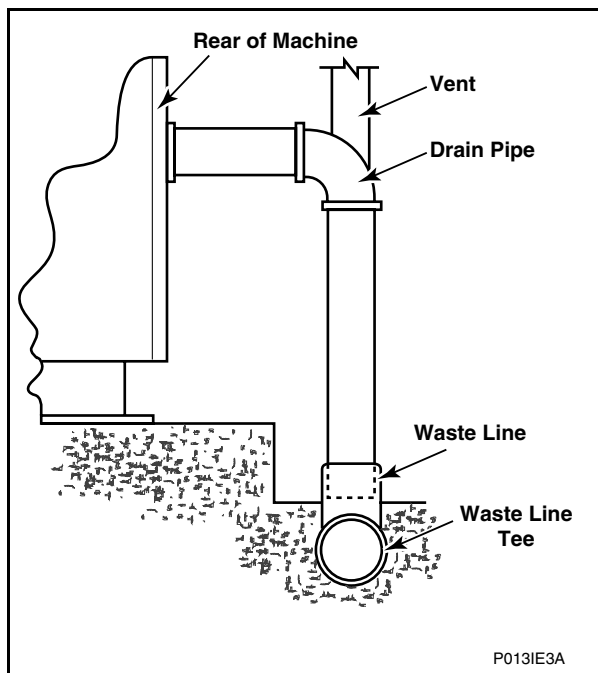


Figure 8

A flexible connection must be made to a vented drain system to prevent an air lock and to prevent siphoning. If proper drain size is not available or practical, a surge tank is required. A surge tank in conjunction with a sump pump should be used when gravity drainage is not possible, such as in below-ground-level installations.

Before any deviation from specified installation procedures is attempted, the customer or installer should contact the distributor.

Increasing the drain hose length, installing elbows, or causing bends will decrease drain flow rate and increase drain times, impairing washer-extractor performance.

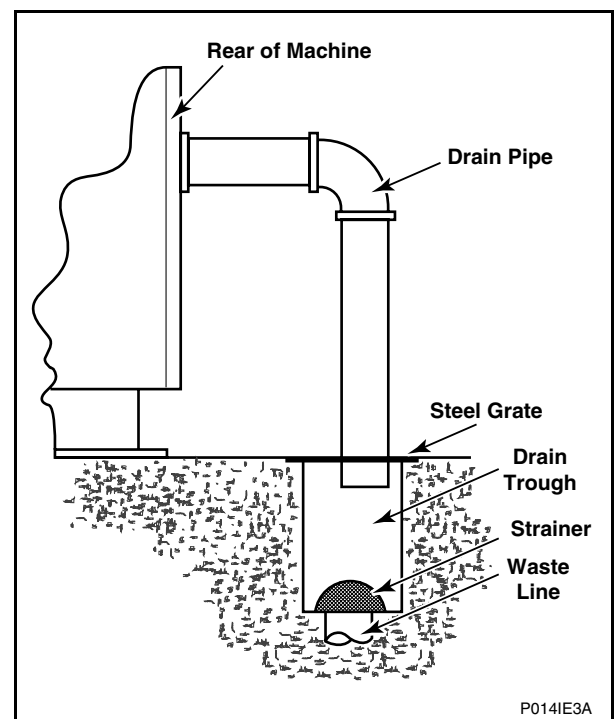


Figure 9

See the Cabinet Freestanding Drain Information table in this subsection for capacity-specific drain information.

Installation of additional washer-extractors will require proportionately larger drain connections. See the Cabinet Freestanding Drain Line Sizing table in this subsection.

Installation

Drain Connection (Continued)

Cabinet Freestanding Drain Information	
Overflow size, in (mm)	1.5 (3.8)
Drain connection size, I.D., in (mm)	2 (51)
Number of drain outlets	1
Drain flow capacity, gal-min (l-min)	20 (76)*
Recommended drain pit size, ft ³ (l)	1.80 (51)

*These figures are approximate values only.

Cabinet Freestanding Drain Line Sizing Minimum Drain I.D. [in (mm)]			
Number of Machines			
1	2	3	4
3 (76.2)	3 (76.2)	3-1/2 (88.9)	4 (102)

Installation

Water Connection

Cabinet Freestanding Water Supply Information	
Water inlet connection size, in (mm)	3/4 NH (G 3/4)
Number of water inlets (standard)	2
Recommended pressure psi (bar)	30 – 85 (2 – 5.7)
Inlet flow capacity, gal-min (l-min) (80 psi)	12 (45)

Connections should be supplied by a hot and a cold water line of at least the sizes shown in the Water Supply Line Sizing table.

Installation of additional machines will require proportionately larger water lines. See table.

To connect water service to machine with rubber hoses, use the following procedure:

1. Before installing hoses, flush the water system for at least two minutes.
2. Check filters in the washer-extractor's inlet hoses for proper fit and cleanliness before connecting.
3. Hang the hoses in a large loop; do not allow them to kink.

If additional hose lengths are needed, use flexible hoses with screen filters. Each hose should have a screen filter installed to keep rust and other foreign particles out of the water inlet valves.


Pressure of 30 – 85 psi (2 – 5.7 bar) provides best performance. Although the washer-extractor will function properly at lower pressures, increased fill times will occur.


Suitable air cushions should be installed in supply lines to prevent “hammering.” If the water pressure is above 60 psi, flexible copper tubing should be used in place of rubber hoses.


Cabinet Freestanding Water Supply Line Sizing			
Model	Number of Machines	Supply Line Size [in (mm)]	
		Main	Hot/Cold
18	1	0.75 (19)	0.75 (19)
	2	1.0 (25)	1.0 (25)
	3	1.25 (32)	1.0 (25)
	4	1.5 (38)	1.0 (25)
25	1	0.75 (19)	0.75 (19)
	2	1.0 (25)	1.0 (25)
	3	1.25 (32)	1.0 (25)
	4	1.5 (38)	1.0 (25)

Installation

Electrical Installation


	WARNING
<p>This machine must be installed, adjusted, and serviced by qualified electrical maintenance personnel familiar with the construction and operation of this type of machinery. They must also be familiar with the potential hazards involved. Failure to observe this warning may result in personal injury and/or equipment damage, and may void the warranty.</p>	
<small>SW004</small>	


	WARNING
<p>Dangerous voltages are present in the electrical control box(es) and at the motor terminals. Only qualified personnel familiar with electrical test procedures, test equipment, and safety precautions should attempt adjustments and troubleshooting. Disconnect power from the machine before removing the control box cover, and before attempting any service procedures.</p>	
<small>SW005</small>	

	WARNING
<p>Ensure that a ground wire from a proven earth ground is connected to the ground lug near the input power block on this machine. Without proper grounding, personal injury from electric shock could occur and machine malfunctions may be evident.</p>	
<small>SW008</small>	

The AC inverter drive requires a clean power supply free from voltage spikes and surges. A voltage monitor should be used to check incoming power. The customer's local power company may provide such a monitor.

If input voltage measures above 230V for a 200V drive or above 440V for a 400V drive, ask the power company to lower the voltage. As an alternative, a step-down transformer kit is available from the distributor. Voltages above 250V and 490V require additional measures. Contact the distributor or the manufacturer for assistance.

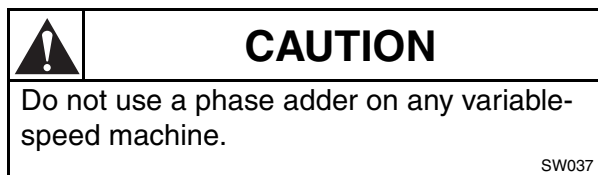
	WARNING
<p>Never touch terminals or components of the AC inverter drive unless power is disconnected and the "READY" indicator LED is off. The AC inverter drive retains potentially deadly voltage for some time after the power is disconnected. There are no user-serviceable parts inside the AC inverter drive. Tampering with the drive will void the warranty.</p>	
<small>SW009</small>	

	DANGER
<p>When controlling the AC inverter drive with a parameter unit, the machine's computer and its safety features are bypassed. This would allow the basket to rotate at high speeds with the door open. When using a parameter unit to control the AC inverter drive, a large sign should be placed on the front of the machine warning people of the imminent danger.</p>	
<small>SW003</small>	

Installation

The AC drive provides overload protection for the drive motor. However, a separate three-phase circuit breaker or single-phase circuit breaker (if machine is a single-phase model) must be installed for complete electrical overload protection. This circuit breaker must disconnect all poles when in the open position. This prevents damage to the motor by disconnecting all legs if one should be lost accidentally. Check the data plate on the back of the washer-extractor or consult the Electrical Specifications chart in this subsection for circuit breaker requirements.

Note: Do NOT use fuses in place of a circuit breaker.



The washer-extractor should be connected to an individual branch circuit not shared with lighting or other equipment.

The connection should be shielded in a liquid-tight or approved flexible conduit with proper conductors of correct size installed in accordance with the National Electric Code or other applicable codes. The connection must be made by a qualified electrician using the wiring diagram provided with the washer-extractor, or according to accepted European standards for CE-approved equipment.

Use wire sizes indicated in the Electrical Specifications chart for runs up to 50 feet. Use next larger size for runs of 50 to 100 feet. Use 2 sizes larger for runs greater than 100 feet.

For personal safety and for proper operation, the washer-extractor must be grounded in accordance with state and local codes. If such codes are not available, grounding must conform with the National Electric Code, article 250-95. The ground connection must be made to a proven earth ground, not to conduit or water pipes.

If a delta supply system is used, the high leg may be connected to L3 on the cabinet freestanding models as all machines are equipped with control transformers.

Note: Timers or similar devices that could switch off the machine automatically are not to be installed, whether in the machine's supply circuit or elsewhere.

Installation

Cabinet Freestanding Electrical Specifications													
Voltage Designation						Standard				Electric Heat			
Model	Code	Voltage	Cycle	Phase	Wire	Full Load Amps	Breaker	AWG	mm ²	Full Load Amps	Breaker	AWG	mm ²
18	X	200-240	50-60	1 or 3	2 or 3	6/4	15	14	2x2.5 3x2.5	--	--	--	--
	P*	380-415	50-60	3	3	3	15	--	3x2.5	12	15	--	3x2.5
	Q	200-240	50-60	3	3	5	15	14	--	18	20	12	--
	T*	200-240	50-60	1	2	8	15	14	--	31	35	8	--
25	X	200-240	50-60	1 or 3	2 or 3	11/6	15	14	2x2.5 3x2.5	--	--	--	--
	P*	380-415	50-60	3	3	3	15	--	3x2.5	12	15	--	3x2.5
	Q	200-240	50-60	3	3	7	15	14	--	18	20	12	--
	T	200-240	50-60	1	2	12	15	14	--	31	35	8	--

Note: Wire sizes shown are for copper, THHN, 90° conductor per NEC article 310.


Note: The X voltage is not compatible with CE and/or electric heat models.

IMPORTANT: For machines with X voltage: If input power is single-phase, connect L1 to L1 of terminal block and L2 to L2 of terminal block. Leave L3 unconnected on the input terminal block. If input power is three-phase, connect L1, L2 and L3 to L1, L2 and L3 of the terminal block.

Installation

Steam Requirements (Steam Heat Option Only)

For machines equipped with optional steam heat, install piping in accordance with approved commercial steam practices. Steam requirements are shown in the table below.


	WARNING
<p>Never touch internal or external steam pipes, connections, or components. These surfaces can be extremely hot and will cause severe burns. The steam must be turned off and the pipe, connections, and components allowed to cool before the pipe can be touched.</p>	
SW014	

Note: Failure to install the supplied steam filter may void the warranty.

Cabinet Freestanding Steam Supply Information		
	18	25
Steam inlet connection, in (mm)	1/2 NPT (DN15)	1/2 NPT (DN15)
Number of steam inlets	1	1
Recommended pressure, psi (bar)	30 – 80 (2.0 – 5.5)	30 – 80 (2.0 – 5.5)
Maximum pressure, psi (bar)	80 (5.4)	80 (5.4)

Installation

Chemical Injection Supply System

	WARNING
<p>Wear eye and hand protection when handling chemicals; always avoid direct contact with raw chemicals. Read the manufacturer's directions for accidental contact before handling chemicals. Ensure an eye-rinse facility and an emergency shower are within easy reach. Check at regular intervals for chemical leaks.</p>	
SW016	

Undiluted chemical dripping can damage the machine. Therefore, all chemical supply dispenser pumps should be mounted below the washer's injection point. All dispenser tubing should also run below the injection point. Loops do not prevent drips if these instructions are not followed. Failure to follow these instructions could damage the machine and void the warranty. Figure 10 shows a typical chemical injection supply system.

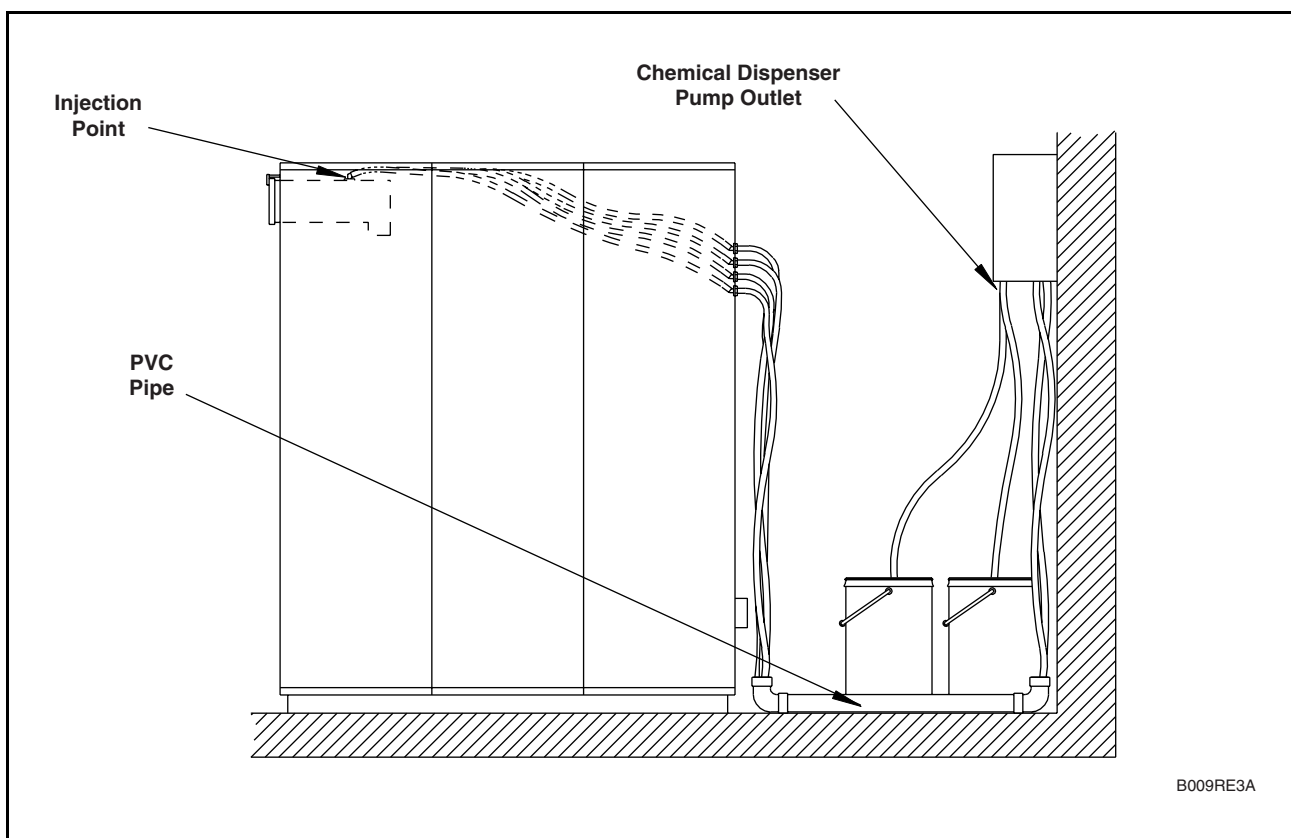


Figure 10

Installation

The input power box houses a cage clamp strip which furnishes supply output signals for the chemical injection supply pumps.

An external power source must be used to provide power to the injection system on the P voltage. External liquid supply connections are located on the rear of the machine.

To connect external supplies, use the following procedure:

1. Facing the rear of the machine, locate the 1-1/2" opening found at the upper right-hand side of the valve panel.
2. Gather external supply hoses and pull through opening.
3. Locate the 4 capped nozzles on the rear of the liquid supply dispenser and remove caps. See Figure 11.

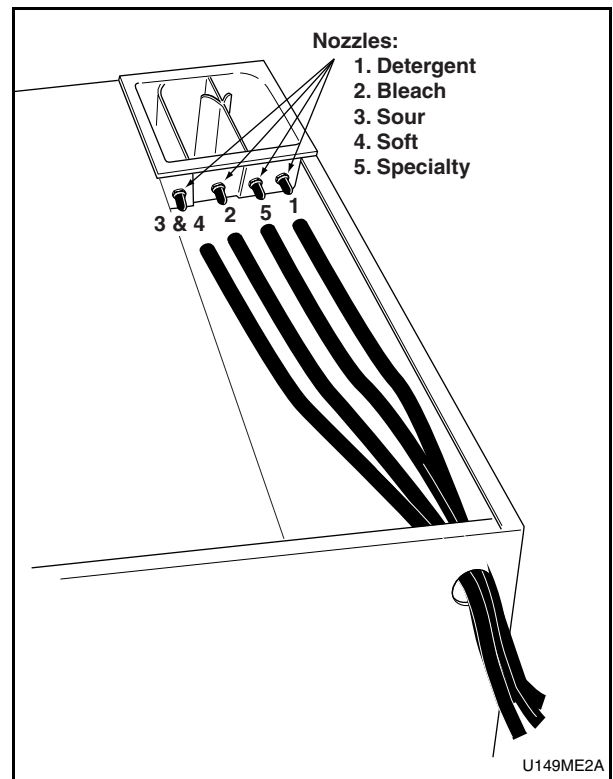



Figure 11

4. Connect hoses to nozzles by pushing each hose over nozzle lip. Hoses should fit snugly onto nozzles and then be secured with proper clamps.

Installation

	CAUTION
<p>Attempting to obtain 110VAC by using L1 or L2 with the common may damage laundry machine circuitry and/or the chemical injection system. Using a 240VAC power wire in the washer-extractor and an earth ground to obtain 110VAC could cause microprocessor problems.</p>	
SW028	

Consult the chemical injection supply system instructions for operational details. See Figures 12 and 13 for terminal strip decals.




P/N 231376-5											
○	○										
LINE 1 LINE 2 SUPPLY 1 SUPPLY 2 SUPPLY 3 SUPPLY 4 SUPPLY 5 COMMON	2-60HZ 200-240V COMMON TO SPLY 1 THRU SPLY 5 YIELDS 120VAC <small>3A/10A MAX/250V</small>										
<table border="1"> <tr> <td style="text-align: center;"></td> <td style="text-align: center;">CAUTION</td> </tr> <tr> <td colspan="2">EXTERNAL SUPPLY CONNECTIONS</td> </tr> <tr> <td colspan="2">LINE 1 TO LINE 2 YIELDS 240VAC FUSED 3A, 10A FUSE MAX</td> </tr> <tr> <td colspan="2">COMMON IS NOT A TRUE NEUTRAL DO NOT USE WITH LINE 1 OR LINE 2</td> </tr> <tr> <td colspan="2" style="text-align: right;">P/N 231345-4</td> </tr> </table>			CAUTION	EXTERNAL SUPPLY CONNECTIONS		LINE 1 TO LINE 2 YIELDS 240VAC FUSED 3A, 10A FUSE MAX		COMMON IS NOT A TRUE NEUTRAL DO NOT USE WITH LINE 1 OR LINE 2		P/N 231345-4	
	CAUTION										
EXTERNAL SUPPLY CONNECTIONS											
LINE 1 TO LINE 2 YIELDS 240VAC FUSED 3A, 10A FUSE MAX											
COMMON IS NOT A TRUE NEUTRAL DO NOT USE WITH LINE 1 OR LINE 2											
P/N 231345-4											
200-240 Volt Models											
R0561E3A											

Figure 12




P/N 231345-5									
○	○								
SUPPLY 1 SUPPLY 2 SUPPLY 3 SUPPLY 4 SUPPLY 5 COMMON	COMMON TO SPLY 1 THRU SPLY 5 YIELDS 220VAC								
<table border="1"> <tr> <td style="text-align: center;"></td> <td style="text-align: center;">CAUTION</td> </tr> <tr> <td colspan="2">EXTERNAL SUPPLY CONNECTIONS</td> </tr> <tr> <td colspan="2">COMMON IS NOT A TRUE NEUTRAL DO NOT USE WITH LINE 1 OR LINE 2</td> </tr> <tr> <td colspan="2" style="text-align: right;">P/N 231345-5</td> </tr> </table>			CAUTION	EXTERNAL SUPPLY CONNECTIONS		COMMON IS NOT A TRUE NEUTRAL DO NOT USE WITH LINE 1 OR LINE 2		P/N 231345-5	
	CAUTION								
EXTERNAL SUPPLY CONNECTIONS									
COMMON IS NOT A TRUE NEUTRAL DO NOT USE WITH LINE 1 OR LINE 2									
P/N 231345-5									
380-415 Volt 50 Hz 3ϕ 3-Wire Models									
R0571E3A									

Figure 13

Installation

Control Function Test

The machine should be cleaned after the installation is complete. A function test should then be executed on the unloaded machine:

1. Check the power supply for such characteristics as correct voltage, phase, and cycles to be certain they are correct for the machine.
2. Open manual shut-off valves to the machine.
3. Turn on electric power.
4. Check the door interlock before starting operation:
 - a. Attempt to start the washer with the door open. The washer should not start with the door open.
 - b. Close the door without locking it and attempt to start the washer. The washer should not start with the door unlocked.
- c. Close the door and start a cycle. Attempt to open the door while the cycle is in progress. The door should not open.

If the door lock and interlock are not functioning properly, call a service technician.

5. Select Cycle 01 by pressing key **0** and key **1** on the keypad. Then press the **Start** key.
6. Run a complete cycle, checking operation of water inlet valves, drain, and extract functions.
7. Rotation must be counterclockwise in the spin step. If rotation is not counterclockwise in the spin step, disconnect power. A qualified electrician must reverse any two leads between the AC drive and the motor. See Figure 14.

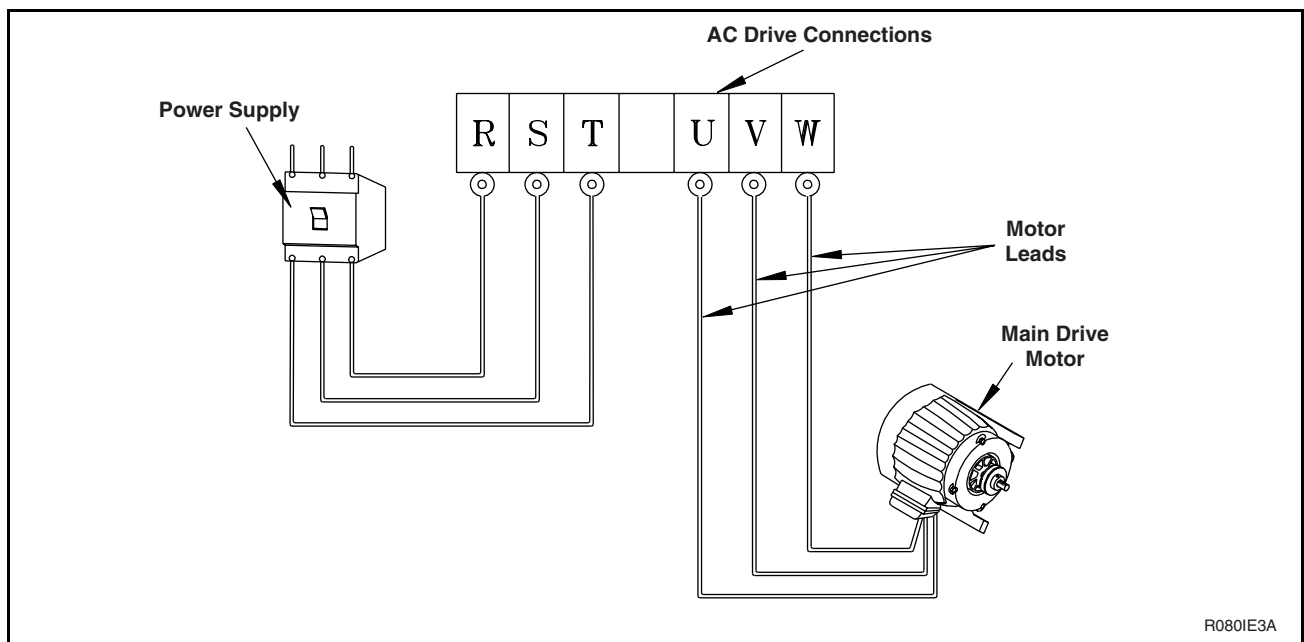




Figure 14

Section 3

Maintenance

Routine maintenance maximizes operating efficiency and minimizes downtime. The maintenance procedures described below will prolong the life of the machine and help prevent accidents.

	WARNING
Be careful when handling sheet-metal parts. Sharp edges can cause personal injury. Wear safety glasses and gloves, use the proper tools, and provide adequate lighting.	
<small>SW035</small>	

	CAUTION
Replace all panels that are removed to perform service and maintenance procedures. Do not operate the machine with missing guards or with broken or missing parts. Do not bypass any safety devices.	
<small>SW019</small>	

Daily, weekly, monthly, and quarterly checklists are provided at the end of this section. Laminate the checklists to preserve them for repeated copying. Operators and technicians are encouraged to add checks specific to their machine's particular application. When possible, space is provided on the checklists for this purpose.

The following maintenance procedures must be performed regularly at the required intervals.

Daily

Beginning of Day

1. Inspect water inlet valve hose connections on the back of the machine for leaks.
2. Inspect steam hose connections for leaks, where applicable.
3. Verify that insulation is intact on all external wires and that all connections are secure. If bare wire is evident, call a service technician.
4. Check door interlock before starting operation:
 - a. Attempt to start the washer with the door open. The washer should not start with the door open.
 - b. Close the door without locking it and attempt to start the washer. The washer should not start with the door unlocked.
 - c. Close and lock the door and start a cycle. Attempt to open the door while the cycle is in progress. The door should not open.

If the door lock and interlock are not functioning properly, call a service technician.

Maintenance

Daily (Continued)

End of Day

1. Clean the AC drive box filter:
 - a. Snap off the external plastic cover which contains the filter.
 - b. Remove the foam filter from the cover.
 - c. Wash the filter with warm water and allow to air dry. Filter can be vacuumed clean.
2. Clean the door gasket of residual detergent and all foreign matter.
3. Clean automatic supply dispenser and lid inside and out with mild detergent. Rinse with clean water.
4. Clean the washer's top, front, and side panels with mild detergent. Rinse with clean water.
5. Leave loading door open at the end of each day to allow moisture to evaporate.

Note: Unload the machine promptly after each completed cycle to prevent moisture buildup. Leave loading door open at the end of each completed cycle to allow moisture to evaporate.

Weekly

1. Check the machine for leaks.
 - a. Start an unloaded cycle to fill the machine.
 - b. Verify that door and door gasket do not leak.

- c. Verify that the drain valve is operating. If water does not leak out during the prewash segment, drain valve is closed and functioning properly.

Monthly

Note: Disconnect power to the machine at its source before performing the monthly maintenance procedures.

1. Clean the AC drive fins:
 - a. Remove the AC drive box cover.
 - b. Blow the fins clean using compressed air at a pressure of 60 – 90 psi or by using canned compressed air. Use care to avoid damaging cooling fan or other components.

Note: No amount of visible foreign matter should be allowed to accumulate on the fins or the finger guard.

2. Use the following procedures to determine if the V-belt requires replacement or adjustment. Call a qualified service technician in either case.
 - a. Check V-belt for uneven wear and frayed edges.
 - b. After disconnecting power to the machine and removing all panels necessary for access to the drive belt, use the following method to verify that the V-belt is properly tensioned.

Maintenance

See Figure 14. Loosen motor mounting bolts and slide motor along motor plate to change belt span length. Belt deflection should be measured as close to the center of the span length as possible. A set force should be applied in the center of the span length, as specified in the table below.

Machine Capacity (lbs)	Deflection (in)	Force Applied (lbs)
18	0.246	5.6
25	0.250	5.6

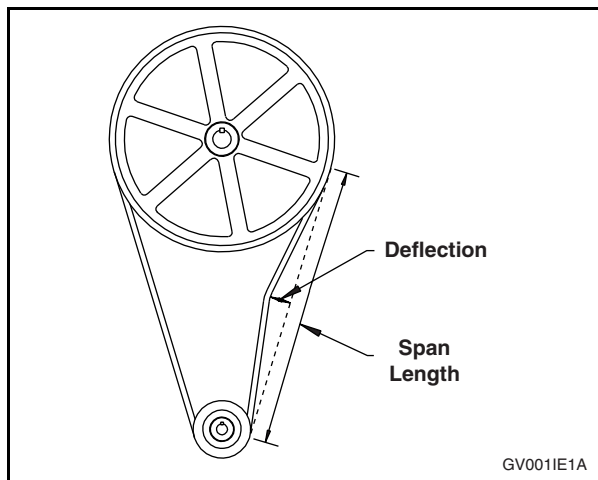


Figure 14

- c. Verify that the V-belt is properly aligned by checking pulley alignment. Place a straightedge across both pulley faces. The straightedge should make contact with the pulleys in four places. See Figure 15.

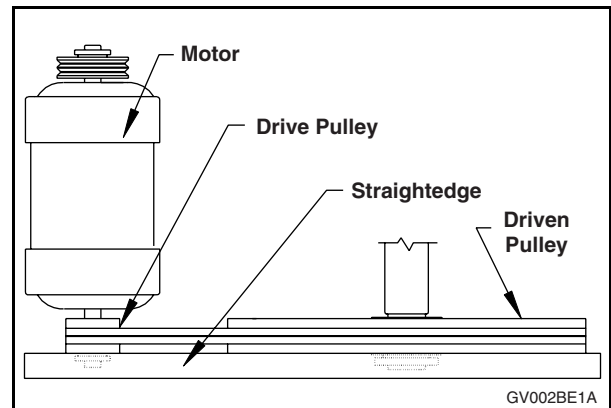


Figure 15

3. Remove back panel and check overflow hose and drain hose for leaks.
4. Unlock the hinged lid and check the supply dispenser hoses and hose connections.
5. Clean inlet hose filter screen:
 - a. Turn water off and allow valve to cool, if necessary.
 - b. Unscrew inlet hose and remove filter screen.
 - c. Clean with soapy water and reinstall. Replace if worn or damaged.
6. Tighten motor mounting bolt locknuts and bearing bolt locknuts, if necessary.
7. Use compressed air to clean lint from motor.
8. Clean interior of machine, both basket and shell, by wiping with a water-soaked sponge or cloth.
9. Use compressed air to ensure that all electrical components are free of moisture and dust.

Maintenance

Quarterly

Note: Disconnect power to the machine before performing the quarterly maintenance procedures.

1. Tighten door hinges and fasteners, if necessary.
2. Tighten anchor bolts, if necessary.
3. Check all painted surfaces for bare metal. (Matching gray paint is available from the manufacturer.)
 - If bare metal is showing, paint with primer or solvent based paint.
 - If rust appears, remove it with sandpaper or by chemical means. Then paint with primer or solvent based paint.
4. Clean steam filter, where applicable.
 - a. Turn off steam supply and allow time for the valve to cool.
 - b. Unscrew nut.
 - c. Remove element and clean.
 - d. Replace element and nut.
5. Inspect suspension components for wear or corrosion. Observe the operation of the machine to ensure proper tension and operation of the suspension system.

Care of Stainless Steel

Maintain the natural beauty of stainless steel and prolong its service life by following these tips:

- Ordinary deposits of dirt and grease can be removed with detergent and water. The metal should be thoroughly rinsed and dried after washing. Periodic cleaning will help to maintain the bright surface appearance and prevent corrosion.
- Contact with dissimilar metals should be avoided whenever possible. This will help prevent galvanic corrosion when salty or acidic solutions are present.
- Salty or acidic solutions should not be allowed to evaporate and dry on stainless steel. They may cause corrosion. Ensure that the stainless steel is wiped clean of acidic solution residues.
- Deposits that adhere to the stainless steel should be removed, especially from crevices and corners. Never use ordinary steel wool or steel brushes on the stainless steel.
- If the stainless steel appears to be rusting, the source of the rust may actually be an iron or steel part not made of stainless steel, such as a nail or screw. One remedy is to paint all carbon steel parts with a heavy protective coating. Stainless steel fasteners should be used when possible.

Maintenance

- Discolorations or heat tint from overheating may be removed by scouring with a powder or by employing special chemical solutions.
- Sanitizers or sterilizing solutions should not be left in stainless steel equipment for prolonged periods of time. They often contain chlorine, which may cause corrosion. The stainless steel should be cleaned and rinsed thoroughly of any solution containing chlorine.
- When an external chemical supply system is used, make certain that no siphoning of chemicals occurs when the washer-extractor is not in use. Highly concentrated chemicals can cause severe damage to stainless steel and other components within the machine. Damage of this kind is not covered by the manufacturer's warranty. Locate the pump below the washer-extractor's injection point to prevent siphoning of chemicals into the machine.

Maintenance

Daily Preventive Maintenance Checklist

Machine _____	Week of: _____						
Operator _____	Days						
Checks	1	2	3	4	5	6	7
Observe All Safety Warnings!							
Beginning of Day							
1. Inspect water inlet valve hose connections on the back of the machine for leaks.							
2. Inspect steam hose connections for leaks, where applicable.							
3. Verify that insulation is intact on all external wires and that all connections are secure.							
4. Inspect door lock and interlock before starting operation:							
a. Attempt to start the washer with door open.							
b. Close the door without locking it and attempt to start the washer.							
c. Close and lock the door, start a cycle, and attempt to open the door while the cycle is in progress.							
End of Day							
1. Clean the AC drive box filter.							
2. Clean the door gasket of all foreign matter.							
3. Clean automatic supply dispenser and lid.							
4. Clean the washer's top, front, and side panels.							
5. Leave loading door open at the end of each day to allow moisture to evaporate.							
6.							
<p>Note: Unload the machine promptly <i>after each completed cycle</i> to prevent moisture buildup.</p> <p>Note: Leave loading door open <i>after each completed cycle</i> to allow moisture to evaporate.</p> <p>Note: Improper replacement of the AC drive box filter will result in clogging of the pump.</p>							

Maintenance

Weekly Preventive Maintenance Checklist

Machine _____	Month _____				
Operator _____	Week Ending				
Checks	/	/	/	/	/
Observe All Safety Warnings!					
1. Check the machine for leaks:					
a. Start an unloaded cycle to fill the machine.					
b. Verify that door and door gasket do not leak.					
c. Verify that the drain valve is operating.					
2.					
3.					
4.					
5.					
6.					
7.					

Maintenance

Monthly Preventive Maintenance Checklist

Machine _____	Month			
Operator _____				
Checks				
Observe All Safety Warnings! Disconnect Power to the Machine before Performing the Monthly Maintenance Procedures.				
1. Clean the AC drive fins.				
2. Determine if V-belts require replacement or adjustment:				
a. Check V-belt for uneven wear and frayed edges.				
b. Verify that V-belt is properly tensioned.				
c. Verify that V-belt is properly aligned.				
3. Remove back panel and check hoses for leaks.				
4. Check supply dispenser hoses and connections.				
5. Clean inlet hose filter screen. Replace if worn or damaged.				
6. Tighten motor mounting bolt locknuts and bearing bolt locknuts, if necessary.				
7. Use compressed air to clean lint from motor.				
8. Clean interior of machine, both basket and shell, by wiping with a water-soaked sponge or cloth.				
9. Use compressed air to clean moisture and dust from all electrical components.				
10.				
11.				
12.				
13.				
14.				

Maintenance

Quarterly Preventive Maintenance Checklist

Machine _____	Quarter			
Operator _____				
Checks				
Observe All Safety Warnings! Disconnect Power to the Machine before Performing the Quarterly Maintenance Procedures.				
1. Tighten door hinges and fasteners, if necessary.				
2. Tighten anchor bolts, if necessary.				
3. Check all painted surfaces for bare metal. Repair, if necessary.				
4. Clean steam filter, where applicable.				
5. Inspect suspension components.				
6.				
7.				
8.				
9.				
10.				
11.				
12.				
13.				
14.				

Section 4

Removal from Service

Decommissioning

In the event that the machine must be decommissioned, follow these steps:

1. Remove the chemical injection supply system, if applicable.
 - a. Have a qualified electrician disconnect power to the chemical injection supply system at its source.
 - b. Using the manufacturer's instructions, carefully remove the chemical injection supply system from the machine. Make certain that no chemical supplies come into contact with skin or clothing.
2. Clean interior of machine, both basket and shell.
 - a. Flush supply dispenser (soap dish) with water.
 - b. Run a short rinse cycle to clean detergent and chemical residues from the interior of the machine.
3. Disconnect electrical power.
 - a. Shut off main power supply at the breaker box or main control panel.
 - b. Do not attempt to disconnect power supply wires from power supply. Have a qualified electrician disconnect power to machine at its source.
4. Disconnect hoses.
 - a. Disconnect drain hose from sump, gutter, or drain.
 - b. Turn off water supply. Disconnect individual hot and cold water inlet hoses from the machine.
 - c. Allow time for residual water in the machine to drain. Then disconnect drain hose from the machine.
5. Disconnect steam hose, if applicable.
 - a. Turn off steam supply and allow time for the valve to cool.
 - b. Disconnect steam hose from machine.
6. Remove the machine from its foundation pad.
 - a. Keep all panels in place to provide stability when moving the machine.
 - b. Verify that door is closed and secure.
 - c. Loosen and remove anchor bolts holding machine base to floor, if applicable.
 - d. Break the grout seal at each corner of the machine, using a crowbar.

Removal from Service

Removal from Service (Continued)

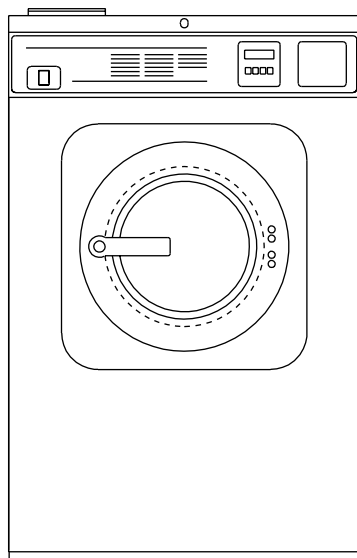
- e. Use crowbars at the front corners to lift the machine a few inches so that the forks of a forklift truck can reach under the machine.
- f. Bolting the base frame to a pallet will facilitate removal to a transport vehicle.

Lavadora extractora

Gabinete autónomo

Números de modelo

SF18VNV	SF25VCV	UF18VNV
SF25VNV	UF25PNV	UF25VNV



— **Instalación/Mantenimiento** —

Tabla de contenido

Instalación/Mantenimiento

Seguridad

Leyenda de los símbolos	50
Seguridad del operador	51
Entorno de operación seguro.....	52
Condiciones medioambientales	52
Posición de la máquina.....	53
Servicios de entrada y salida	53
Mando del inversor de CA	54
Uso indebido	54

Instalación

Generalidades de la máquina	55
Inspección de entrega.....	56
Servicio al cliente.....	56
Guía de familiarización con los números de modelo	57
Especificaciones generales.....	58
Dimensiones de separación	60
Cimientos de la máquina.....	64
Instalación mecánica	65
Instalación de los pernos de montaje.....	66
Conexión de drenaje.....	67
Conexión de agua.....	69
Instalación eléctrica.....	70
Requisitos de vapor	73
Sistema de suministro de inyección de productos químicos	74
Prueba de función de control	77

Mantenimiento

Diariamente	79
Al principio del día	79
Al final del día.....	80
Semanalmente.....	80
Mensualmente.....	81
Trimestralmente.....	82
Cuidado del acero inoxidable	83
Lista de comprobación de mantenimiento.....	84

Desconexión del servicio

Puesta fuera de servicio	89
--------------------------------	----

© Copyright 2002 Alliance Laundry Systems LLC


Todos los derechos reservados. No se puede reproducir ni transmitir de ninguna forma ninguna parte del contenido de este libro o por ningún medio sin el consentimiento escrito de la editorial.


Sección 1

Seguridad


Cualquier persona que opere o efectúe el servicio en esta máquina debe seguir las reglas de seguridad de este manual. Se debe prestar atención especial a los recuadros de **PELIGRO**, **ADVERTENCIA** y **PRECAUCIÓN** que aparecen en todo el manual.

Las siguientes advertencias son ejemplos generales que se aplican a esta máquina. Las advertencias específicas de una instalación o un procedimiento de mantenimiento particular aparecerán en el manual con la explicación de ese procedimiento.


	PRECAUCIÓN
Tenga cuidado cuando esté cerca de la puerta abierta, especialmente cuando cargue la ropa desde un nivel más bajo de la puerta. Si se llegara a golpear contra la orilla de la puerta podría sufrir lesiones personales.	
SW025S	


	PELIGRO
Si algún niño se queda atrapado dentro de la máquina puede sufrir lesiones graves o hasta la muerte. No permita que los niños jueguen en o cerca de esta máquina. No deje de prestar atención a los niños mientras la puerta de esta máquina esté abierta.	
SW001S	

	ADVERTENCIA
Hay voltajes peligrosos en las cajas de control eléctrico y en las conexiones del motor. Sólo el personal capacitado para realizar procedimientos de pruebas eléctricas y conocedor del equipo de pruebas y de las precauciones de seguridad debe intentar hacer ajustes y reparar averías. Desconecte la corriente eléctrica de la máquina antes de quitar la cubierta de la caja de control eléctrico y de intentar realizar los procedimientos de servicio.	
SW005S	

	ADVERTENCIA
Sólo personal capacitado de mantenimiento eléctrico debe instalar, ajustar y dar mantenimiento a esta máquina. Este personal debe estar familiarizado con la construcción y la operación de este tipo de maquinaria y con los peligros potenciales que presenta. Si no se cumple con esta advertencia, pueden ocasionarse lesiones personales y/o daños al equipo y podría anularse la garantía.	
SW004S	

Seguridad

	PRECAUCIÓN
<p>Asegúrese de que esta máquina sea instalada sobre un piso nivelado con la suficiente resistencia y de que se mantengan los espacios libres necesarios para la inspección y el mantenimiento. Nunca permita que el espacio para inspección y mantenimiento quede bloqueado.</p>	
<small>SW020S</small>	

	ADVERTENCIA
<p>Nunca toque tuberías, conexiones o componentes internos o externos de vapor. Estas superficies pueden estar demasiado calientes y pueden causar quemaduras graves. Es necesario cerrar el vapor y dejar enfriar las tuberías, las conexiones y los componentes antes de tocarlos.</p>	
<small>SW014S</small>	

Leyenda de los símbolos



El rayo y la punta de flecha dentro de un triángulo es una señal de advertencia que indica la presencia de un voltaje peligroso.



Este símbolo de advertencia indica la presencia de productos químicos posiblemente peligrosos. Se deben tomar las precauciones adecuadas al manipular materiales corrosivos o cáusticos.



El signo de admiración dentro de un triángulo es una señal de advertencia indicando instrucciones importantes sobre la máquina y posiblemente condiciones peligrosas.



Este símbolo de advertencia indica la presencia de superficies calientes que podrían ocasionar quemaduras graves. El acero inoxidable y las tuberías de vapor pueden calentarse demasiado y no deben tocarse.



Este símbolo de advertencia indica la presencia de mecanismos de impulsión potencialmente peligrosos dentro de la máquina. Los protectores deben estar siempre en posición cuando la máquina esté en operación.




Este símbolo de advertencia indica la presencia de puntos de aprisionamiento posiblemente peligrosos. Las piezas mecánicas en movimiento pueden aplastar y/o mutilar las extremidades del cuerpo.

Seguridad

Para proporcionar la seguridad personal y mantener la máquina en buenas condiciones de operación, siga todos los procedimientos de mantenimiento y seguridad presentados en este manual. Si surgen dudas sobre la seguridad, póngase en contacto de inmediato con la fábrica.

Utilice las piezas de repuesto autorizadas por la fábrica para evitar peligros.

Seguridad del operador

	ADVERTENCIA
NUNCA meta las manos ni objetos dentro de la unidad de la canasta hasta que ésta se haya detenido por completo. Hacerlo podría ocasionar graves lesiones.	
SW012S	

Para asegurar la seguridad de los operadores de la máquina, se deben efectuar diariamente las siguientes comprobaciones de mantenimiento:


1. Antes de operar la máquina, verifique que todos los letreros de advertencia estén presentes y legibles. Los letreros ilegibles o que falten deben sustituirse de inmediato. Asegúrese de que se disponga de repuestos.
2. Compruebe el enclavamiento de la puerta antes de empezar la operación de la máquina:
 - a. Trate de poner en marcha la máquina con la puerta abierta. La máquina no debe ponerse en marcha con la puerta abierta.
 - b. Cierre la puerta sin trabarla e intente poner en marcha la máquina. La máquina no debe ponerse en marcha con la puerta sin trabar.

- c. Cierre y trabe la puerta y comience un ciclo. Intente abrir la puerta mientras el ciclo está en curso. La puerta no debe abrirse.

Si la traba y el enclavamiento de la puerta no funcionan de forma adecuada, llame a un técnico de servicio.

3. No intente operar la máquina si está presente cualquiera de las condiciones siguientes:
 - a. La puerta no permanece bien trabada durante todo el ciclo.
 - b. Es evidente un nivel de agua excesivamente alto.
 - c. La máquina no está conectada a un circuito conectado a tierra de forma adecuada.

No pase por alto cualquier dispositivo de seguridad en la máquina.

	ADVERTENCIA
Nunca use la máquina si el sistema de balance está desconectado o evitado. Al usar la máquina con cargas muy desbalanceadas pueden ocasionarse graves lesiones personales y serios daños al equipo.	
SW039S	

Seguridad

Entorno de operación seguro

La operación segura requiere un entorno de operación apropiado tanto para el operador como para la máquina. Si surgen dudas sobre la seguridad, póngase en contacto de inmediato con la fábrica.

Condiciones medioambientales

- *Temperatura ambiental.* El agua en la máquina se congelará a la temperatura de 0° C (32° F) o inferior.


Las temperaturas superiores a 50° C (120° F) recalentarán el motor más a menudo y, en algunos casos, ocasionarán el funcionamiento defectuoso o daño prematuro en los dispositivos de estado sólido utilizados en algunos modelos. Tal vez sean necesarios dispositivos de enfriamiento especiales.

Los interruptores de presión de agua están afectados por aumentos y disminuciones de temperatura. Cada cambio de 10° C (25° F) de temperatura tendrá un efecto del 1% en el nivel de agua.

- *Humedad.* Una humedad relativa superior a 90% puede hacer que el sistema electrónico o los motores de la máquina no funcionen o puede activar el interruptor de pérdidas accidentales a tierra. Se pueden producir problemas de corrosión en algunos componentes de metal de la máquina.

Si la humedad relativa es inferior al 30%, las correas y mangueras de goma se secarán con el tiempo y se pudrirán. Esta condición puede producir fugas de mangueras, que pueden causar peligros externos para la máquina junto con los equipos eléctricos adyacentes.

- *Ventilación.* La necesidad de aberturas de aire de complemento para accesorios de lavandería tales como secadoras, planchadoras, calentadores de agua, etc., debe evaluarse periódicamente. Las persianas, rejillas u otros dispositivos de separación pueden reducir considerablemente la abertura de aire disponible.
- *Emisiones de frecuencia de radio.* Se dispone de un filtro para máquinas en instalaciones en que el espacio del suelo se comparte con equipos sensibles a las emisiones de frecuencia de radio.
- *Elevación.* Si la máquina se va a operar a elevaciones de más de 1000 m (3280 pies) por encima del nivel del mar, preste atención especial a los niveles de agua y ajustes electrónicos (particularmente la temperatura) o es posible que no se logren los resultados deseados.
- *Productos químicos.* Mantenga las superficies de acero inoxidable libres de residuos químicos.

	PELIGRO
No coloque fluidos volátiles ni inflamables en ninguna máquina. No limpie la máquina con fluidos volátiles ni inflamables tales como acetona, adelgazadores de lacas, reductores de esmaltes, tetracloruro de carbono, gasolina, benceno, naftaleno, etc. Si lo hace puede causar graves lesiones personales y/o daños a la máquina.	
SW002S	


- *Daños de agua.* No rocíe la máquina con agua. Se pueden producir cortocircuitos y daños importantes. Repare inmediatamente todas las fugas debidas a empaquetaduras defectuosas.

Posición de la máquina

- **Cimientos.** El suelo de hormigón debe tener una resistencia y un espesor suficientes para soportar las cargas del suelo generadas por las altas velocidades de extracción de la máquina.
- **Espacio de servicio/mantenimiento.** Proporcione un espacio suficiente para permitir un rendimiento cómodo de los procedimientos de servicio y mantenimiento preventivo de rutina.

Esto es especialmente importante en relación con las máquinas equipadas con un mando de inversor de CA.

Consulte los detalles específicos en las instrucciones de instalación.

	PRECAUCIÓN
<p>Vuelva a colocar todos los paneles que haya quitado al realizar los procedimientos de servicio y mantenimiento. No use la máquina si no tiene instalados todos los protectores ni si tiene piezas descompuestas o si le faltan piezas. No evite ningún dispositivo de seguridad.</p>	
<small>SW019S</small>	

Servicios de entrada y salida

- **Presión de agua.** El mejor rendimiento se alcanza cuando se suministra agua a una presión de 2,0 – 5,7 bares (30 – 85 lb/plg²). Aunque la máquina funcionará bien a una presión inferior, aumentarán los tiempos de llenado. Una presión de agua mayor que 6,7 bares (100 lb/plg²) podrá dañar las tuberías de la máquina. Se pueden producir fallas de componentes y lesiones personales.


- **Presión de calor de vapor (optativa).** El máximo rendimiento se alcanza cuando se suministra agua a una presión de 2,0 – 5,4 bares (30 – 80 lb/plg²). Una presión de vapor mayor que 8,5 bares (125 lb/plg²) podrá dañar los componentes de vapor y causar lesiones personales.

Para máquinas equipadas con calentamiento de vapor optativo, instale las tuberías según las prácticas de vapor comerciales aprobadas. De no instalar el filtro de vapor suministrado se puede anular la garantía.

- **Aire comprimido.** Para máquinas que requieran servicio de aire comprimido, el máximo rendimiento se alcanzará si se suministra aire a una presión de 5,4 – 6,7 bares (80 – 100 lb/plg²).
- **Sistema de drenaje.** Proporcione tuberías o canales de drenaje suficientemente grandes para contener el volumen total que podrían descargarse si todas las máquinas del lugar se drenaran al mismo tiempo desde el nivel más alto que se pueda alcanzar. Si se usan canales de drenaje, deben estar cubiertos para soportar un tráfico ligero de personas.
- **Corriente.** Para seguridad personal y una operación apropiada, la máquina debe estar conectada a tierra según los códigos estatales y locales. La conexión a tierra debe ser a una tierra en buenas condiciones, no a un conducto o tubos de agua. No use fusibles en lugar del disyuntor. Se debe proporcionar también un interruptor de corte con acceso fácil.

Seguridad

Entorno de operación seguro (continuación)

	ADVERTENCIA
<p>Asegúrese de conectar un conductor de conexión a tierra a una conexión real a tierra en la terminal ubicada cerca del bloque de conexiones de entrada en esta máquina. Si la máquina no se conecta correctamente a tierra, podrían ocasionarse lesiones personales graves por descarga eléctrica y daño a la máquina.</p>	
<small>SW008S</small>	

Desconecte siempre los suministros de corriente y agua antes de que un técnico de servicio efectúe cualquier procedimiento de servicio. Donde corresponda, se debe desconectar también el suministro de vapor o aire comprimido antes de efectuar el servicio.

Mando del inversor de CA

Las máquinas equipadas con el mando del inversor de CA requieren atención especial en lo que se refiere al entorno de operación.

- Un entorno especialmente polvoriento o con pelusa requiere una limpieza más frecuente del filtro del ventilador de enfriamiento del mando de inversión de CA y del mando mismo.
- Las fluctuaciones de corriente de la línea de fuentes tales como fuentes de alimentación ininterrumpibles (UPS) pueden afectar negativamente las máquinas equipadas con un mando de inversión de CA. Se deben usar dispositivos de supresión de la corriente de entrada a la máquina para evitar problemas.

- Es absolutamente esencial disponer de una fuente de alimentación sin aumentos súbitos de voltaje para las máquinas con control de inversión de CA. La falta de uniformidad no lineal (máximos y mínimos) en la fuente de alimentación puede hacer que el mando del inversor de CA genere errores de interferencia.

Si el voltaje es superior a 230 V para instalaciones de 200 V, o superior a 440 V para instalaciones de 400 V, sería recomendable un transformador elevador reductor. Si el voltaje es superior a 240 ó 480 voltios, se requiere un transformador elevador reductor.

- Es especialmente importante disponer de espacio suficiente para realizar los procedimientos de servicio y las tareas de mantenimiento preventivo de rutina para máquinas equipadas con el mando de inversión de CA.

Uso indebido

No use nunca esta máquina para otros fines que no sean lavar telas.

- No lave nunca trapos empapados con petróleo en la máquina. Esto podría resultar en una explosión.
- No lave nunca piezas de máquina o piezas de automóvil en la máquina. Podría resultar en daños importantes en la cesta.
- No deje que haya niños jugando en la máquina o sus alrededores. Si quedan niños atrapados en la máquina, se pueden producir lesiones graves o mortales. No deje que haya niños sin supervisión mientras la puerta de la máquina esté abierta. Estas precauciones se aplican también a animales.

Sección 2

Instalación

Este manual ha sido diseñado como guía para la instalación y el mantenimiento de las lavadoras extractoras autónomas con capacidad para 18 y 25 libras.

Nota: Toda la información, ilustraciones y especificaciones contenidas en este manual están basadas en la información sobre el producto más reciente disponible en el momento de la impresión. Nos reservamos el derecho de efectuar cambios en cualquier momento sin previo aviso.

Generalidades de la máquina

El diseño de estas máquinas hace énfasis en el rendimiento y en una vida útil prolongada. El cilindro, casco y paneles principales del cuerpo son de acero inoxidable.

Estas máquinas disponen del microordenador de la serie V que ofrece ciclos preprogramados y versatilidad de programación.

El mando de inversor de CA proporciona velocidades de motor programables, usando un motor único. Esto hace posible la consecución de velocidades de extracción ultrarápidas.

El cilindro está soportado por dos engranajes de ranura profunda, sellados y lubricados permanentemente. El cilindro dispone de elevadores o nervaduras que levantan la colada del agua de lavar cuando el cilindro gira a una

velocidad lenta y después deja que la colada vuelva a caer en el agua. Esta acción mecánica logra la función de limpieza. El cilindro está perforado, permitiendo que el agua drene desde dentro durante los pasos de lavado y extracción.

El agua entra en la máquina a través de válvulas de agua electromecánicas controladas por el microordenador V. El ordenador también controla el dispensador de suministro, el drenaje y el bloqueo de la puerta, y selecciona los niveles de agua dependiendo del ciclo programado.

Los controles eléctricos para la máquina están en un recinto separado situado debajo de la cubierta superior de la máquina.

El dispensador de suministro está ubicado en la parte superior de la máquina. El acceso a los compartimentos del dispensador de suministro se hace alzando la cubierta de caucho. Estos compartimentos aceptan suministros en forma de polvo o líquidos. Cada compartimento es controlado independientemente por medio del ordenador V y es activado con independencia de los otros compartimentos.

Un sistema de bloqueo de la puerta previene que ésta sea abierta cuando hay agua en la máquina. También impide la operación de la máquina cuando se abre la puerta. El sistema de bloqueo de la puerta contiene el microinterruptor de bloqueo de la puerta, el interruptor magnético de interbloqueo de voltaje de salida y el solenoide de desbloqueo de la puerta.

Instalación

Inspección de entrega

En el momento de la entrega, inspeccione visualmente el embalaje, la cubierta protectora y la unidad para ver si se han producido daños visibles durante el transporte. Si el embalaje, la cubierta protectora o la unidad están dañados o hay signos evidentes de posibles daños, pida al transportista que anote la condición en los documentos de transporte antes de firmar el recibo de envío, o comunique al transportista la condición tan pronto como la descubra.

Quite el embalaje y la cubierta protectora tan pronto como sea posible después de la entrega. Si se descubre cualquier daño al quitar el embalaje o la cubierta protectora, avise al transportista y envíe una reclamación de inmediato.

Servicio al cliente

Si necesita información escrita o repuestos, póngase en contacto con la tienda donde compró la máquina o con Alliance Laundry Systems LLC, teléfono (920) 748-3950, para obtener el nombre del distribuidor de repuestos autorizado más cercano.

Para obtener asistencia técnica, llame a cualquiera de los números siguientes:

(850) 718-1025

(850) 718-1026

Marianna, Florida

(920) 748-3121

Ripon, Wisconsin

El fabricante tiene un archivo de cada máquina. La calcomanía del número de serie está ubicada en la parte posterior de la máquina. La Figura 1 muestra la ubicación del número de serie en la calcomanía. Siempre que vaya a solicitar piezas o asistencia técnica, proporcione el número de serie y modelo de la máquina.

Instalación

Guía de familiarización con los números de modelo		
Muestra de un número de modelo: UF18VNVQU10001		
SF, UF	Tipo de máquina	F = Autónoma
18, 25	Capacidad de la máquina	
P (V)	Tipo de control eléctrico	P = Ordenador WE-6 V = Ordenador V
N	Sin monedas	
V	Velocidad variable	
Q	Características eléctricas	Consulte la tabla de designación de voltaje en esta sección.
U1	Serie de diseño	
0001	Identificación de opciones (varia de una máquina a otra)	

Model No.	UF18VNVQU10001				
Serial No.	000000000000				
Voltage	200-240	Amps	5		
Required Circuit Breaker	Amps 15				
Hz	50-60	Wire	3	Phase	3
Max. Load	18 LB	8 KG	Max. Speed	1080	RPM
Elec. Heating	KW	Steam Press.	PSI	BAR	
<div style="border: 1px solid black; padding: 5px; width: fit-content; margin: 0 auto;"> <p>ETL LISTED CONFORMS TO ANSI/UL STD. 1555 ANSI/UL STD. 1206</p> <p>ETL TESTING LABORATORIES INC. CORTLAND, NEW YORK 13045</p> </div>					
Product No.	500000			Date Code	

R08IE3A

Figura 1

Instalación

Gabinete autónomo			
Especificaciones generales			
	18	25	
<i>Dimensiones generales</i>			
Ancho general, mm (plg)	737 (29,0)	813 (32,0)	
Altura general, mm (plg)	1168 (46,0)	1232 (48,5)	
Profundidad general, mm (plg)	833 (32,8)	940 (37,0)	
<i>Información de peso y envío</i>			
Peso neto, kg (lb)	250 (550)	318 (700)	
Peso de envío nacional, kg (lb)	250 (550)	341 (750)	
Volumen de envío nacional, m ³ (pies ³)	0,98 (34,6)	No disponible	
Peso de envío internacional, kg (lb)	272 (600)	363 (800)	
Volumen de envío internacional, m ³ (pies ³)	1,17 (41,44)	No disponible	
<i>Información del cilindro de lavado</i>			
Diámetro del cilindro, mm (plg)	533 (21,0)	610 (24,0)	
Profundidad general, mm (plg)	349 (13,75)	406 (16,0)	
Volumen del cilindro, l (pies ³)	78 (2,76)	119 (4,19)	
Tamaño de la perforación, mm (plg)	4,77 (0,188)	4,77 (0,188)	
Área abierta de la perforación, %	23	23	
Capacidad de carga (peso de la ropa seca), kg (lb)	18,6 (18)	11,34 (25)	
<i>Información de abertura de la puerta</i>			
Tamaño de la abertura de la puerta, mm (plg)	305 (12,0)	364 (14,345)	
Altura de la parte inferior de la puerta por encima del suelo, mm (plg)	518 (20,4)	511 (20,1)	
<i>Consumo de agua</i>			
Consumo promedio de agua por ciclo, l (galones)	CALIENTE	87 (23)	106 (28)
	FRÍA	42 (11)	49 (13)
<i>Consumo de potencia</i>			
Potencia promedio usada por ciclo, kW/h	0,2*	0,3*	
Emisión nominal de sonido, dBA	58	No se dispone de datos	
Carga promedio del sistema de calefacción, ventilación y aire acondicionado, BTU/hora	400 (101)	450 (113)	

*Estos datos constituyen valores aproximados solamente.

Instalación

Gabinete autónomo		
Especificaciones generales (continuación)		
	18	25
<i>Información del sistema de impulsión</i>		
Número de motores en el sistema de impulsión	1	1
Potencia del motor de impulsión, kW (CV)	0,75 (1,0)	1,7 (2,25)
<i>Velocidades del cilindro</i>		
Velocidad baja de lavado/inversión de giro, rpm	29	27
Velocidad normal de lavado/inversión de giro, rpm	52	49
Velocidad de distribución, rpm	86	73
Extracción 1, rpm	534	500
Extracción 2, rpm	685	641
Extracción 3, rpm	1080	1011
<i>Datos de fuerza centrífuga</i>		
Fuerza centrífuga baja de lavado/inversión de giro, ges	0,25	0,80
Fuerza centrífuga normal de lavado/inversión de giro, ges	0,80	0,80
Fuerza centrífuga de distribución, ges	2,20	1,80
Fuerza centrífuga de extracción 1, ges	85	85
Fuerza centrífuga de extracción 2, ges	140	140
Fuerza centrífuga de extracción 3, ges	348	348
<i>Equilibrio de la carga</i>		
Sistema de detección de equilibrio	Mando de CA	Mando de CA
<i>Calentamiento directo de vapor (optativo)</i>		
Tamaño de la conexión de entrada de vapor, mm (plg)	DN15 (1/2 NPT)	DN15 (1/2 NPT)
Número de entradas de vapor	1	1
Vapor requerido para elevar la temperatura del baño 10° C, kg (10° F, lb)	BAJO	0,81 (1,13)
	MED	0,90 (1,25)
	ALTO	1,04 (1,45)
Uso promedio de vapor por ciclo, BHP (kg)	11,7 (0,75)	15 (0,96)

Instalación

Dimensiones de separación

Tanto las instalaciones de máquinas sencillas como múltiples requieren separaciones mínimas especificadas en todos los lados de la máquina. La tabla siguiente indica estas separaciones.

Consulte las Figuras 2 y 3 para dimensiones de los modelos de capacidad para 18 y 25 libras. La Figura 4 proporciona las pautas de instalación para sitios con instalaciones múltiples.

Nota: Las dimensiones indicadas aquí son para fines de planificación solamente. Son aproximadas y están sujetas a las tolerancias de fabricación normales: Si se necesitan dimensiones exactas para fines de construcción, póngase en contacto con el distribuidor o fabricante. Nos reservamos el derecho de efectuar cambios en cualquier momento sin previo aviso.

Gabinete autónomo		
Separaciones mínimas recomendadas		
	18 [mm (plg)]	25 [mm (plg)]
Separación posterior mínima	305 (12)	305 (12)
Separación mínima entre la máquina y la pared	50 (2)	50 (2)
Separación mínima entre máquinas (lateral)	25 (1)	25 (1)
Separación delantera mínima	406 (16)	445 (17,5)

Instalación

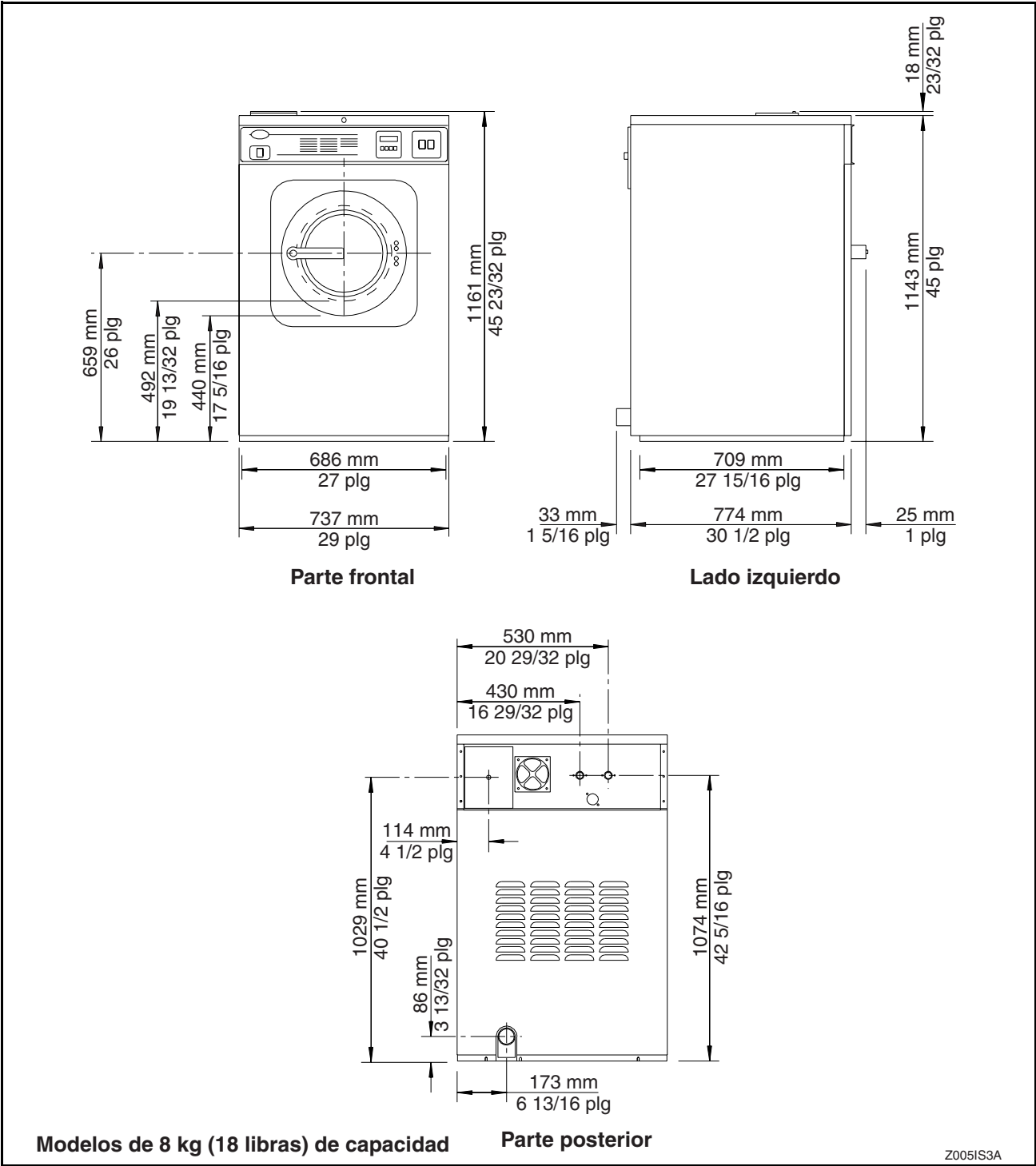


Figura 2

Instalación

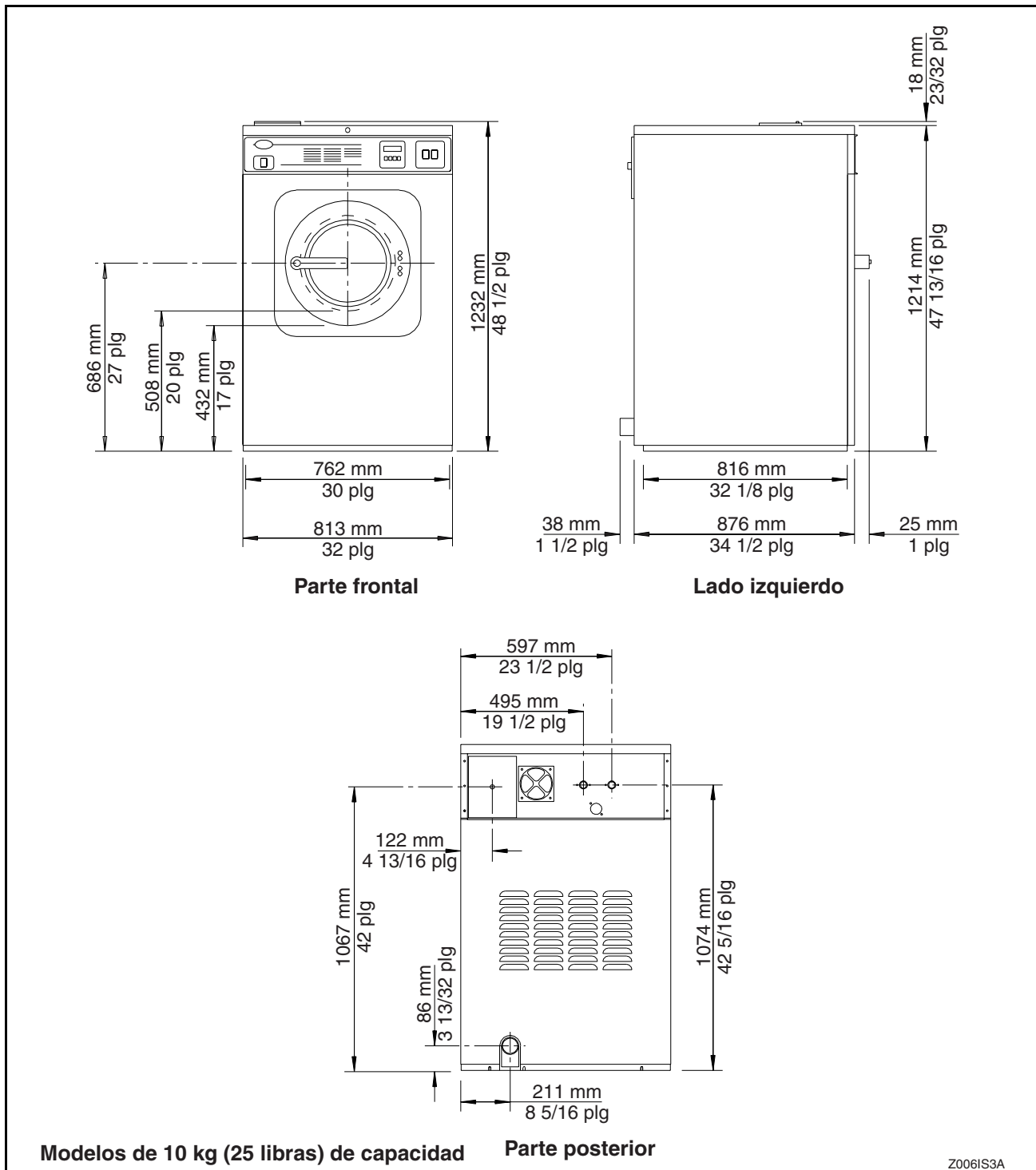


Figura 3

Instalación

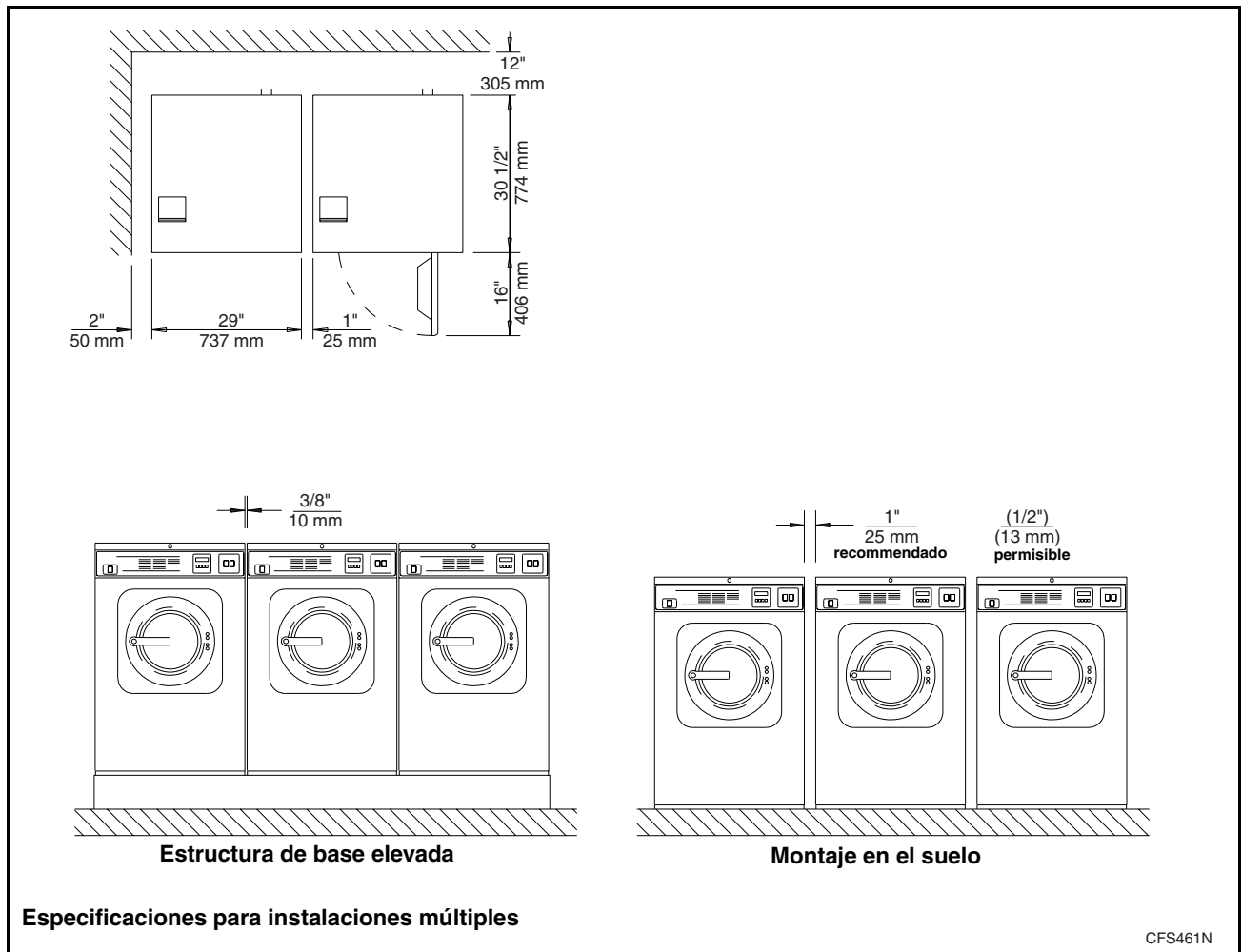



Figura 4

Para la mayoría de las instalaciones, una separación entre máquinas de 25 mm (1 plg) será suficiente. Cuando se use una base elevada, la base proporcionará una separación de 10 mm (3/8 de plg). Se deberá proporcionar una separación de al menos 305 mm (12 plg) por detrás de las lavadoras extractoras, y las entradas de agua deberán ser accesibles. Vea la Figura 4.

Instalación

Cimientos de la máquina

	PRECAUCIÓN
<p>Asegúrese de que esta máquina sea instalada sobre un piso nivelado con la suficiente resistencia y de que se mantengan los espacios libres necesarios para la inspección y el mantenimiento. Nunca permita que el espacio para inspección y mantenimiento quede bloqueado.</p>	
SW020S	

Es muy importante seguir todos los detalles de los cimientos para asegurarse de una instalación estable de la unidad, eliminando la

posibilidad de vibraciones excesivas durante la extracción.

La máquina deberá estar instalada sobre una superficie horizontal lisa, de modo que toda la base de la máquina esté apoyada y descance en la superficie de montaje. (No apoye la máquina en solamente cuatro puntos).

Las cargas estáticas y dinámicas en el suelo o los cimientos se indican en la tabla siguiente. Se puede usar esta tabla como referencia al diseñar suelos y cimientos.

Gabinete autónomo Datos de carga sobre el suelo		
	18	25
Carga estática al suelo, kN (lbs)	3,03 (682)*	3,40 (760)*
Presión estática, kN/m ² (lbs/pie ²)	6,22 (130)*	5,51 (115)*
Carga dinámica del suelo, kN (lbs)	0,44 (100)*	0,62 (139)*
Carga máxima vertical, kN (lbs)	0,44 (100)*	0,62 (139)*
Presión dinámica, kN/m ² (lbs/pie ²)	0,91 (19,1)	1,01 (21,1)
Carga vertical máxima, kN (lbs)	3,03 (682)	3,87 (869)
Carga vertical mínima, kN (lbs)	2,08 (468)	2,61 (586)
Momento máximo de la base, kN-m (lbs-pie)	0,09 (72)	0,14 (103)
Frecuencia de carga dinámica, Hz	18	16,9

* Estos datos constituyen valores aproximados solamente.

Instalación

Instalación mecánica

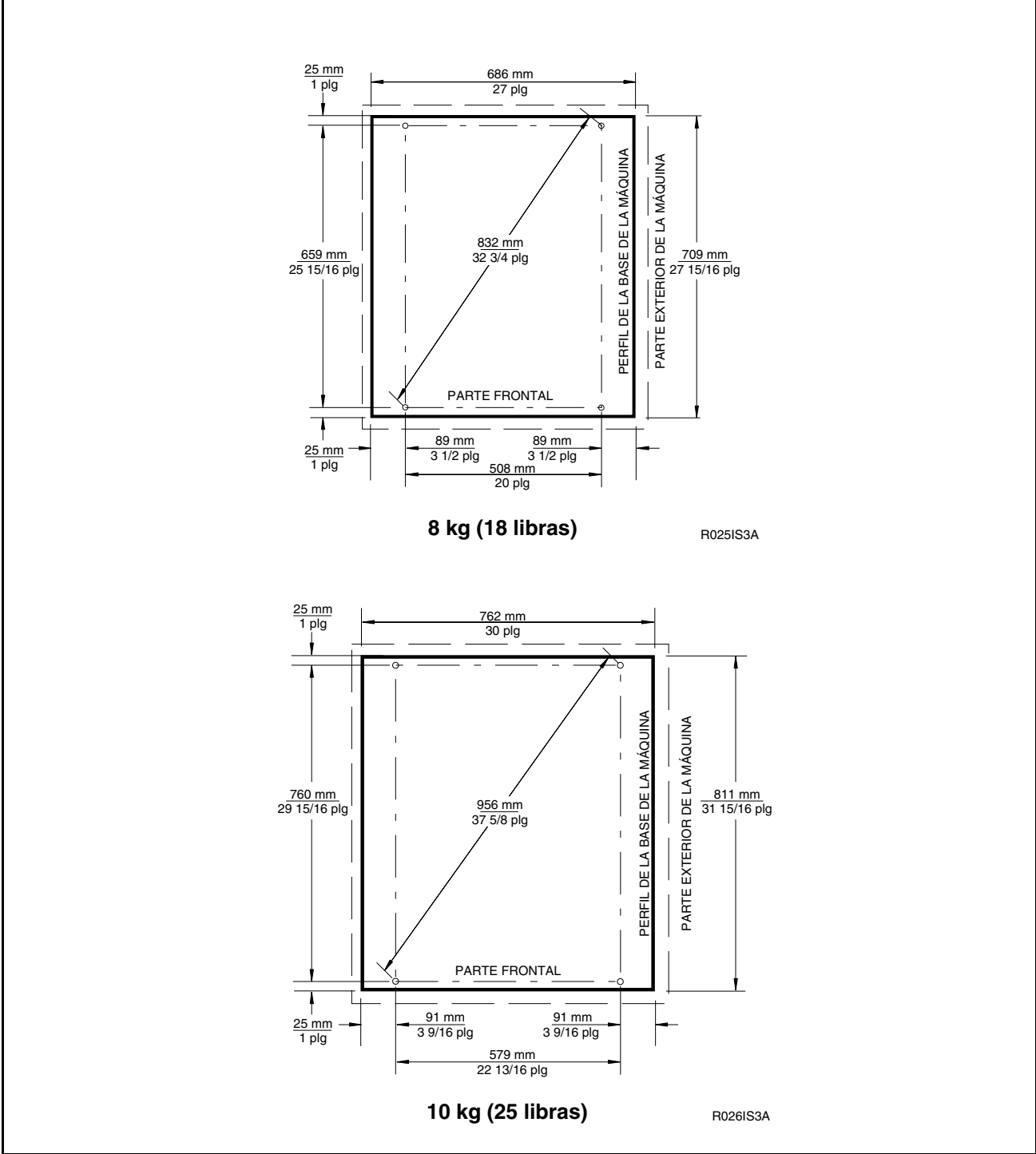


Figura 5

Instalación

Instalación mecánica (continuación)

Nota: Las lavadoras extractoras autónomas con capacidad para 18 y 25 libras no requieren anclaje a menos que así lo exijan los códigos locales o estatales.

Instalación de los pernos de montaje

Las lavadoras extractoras autónomas con capacidad para 18 y 25 libras utilizan pernos de anclaje de 3/4-11 x 8 pulgadas. Los pernos deben embutirse en un suelo de hormigón armado de 3500 lbs/plg² como mínimo que tenga un espesor de 6 pulgadas como mínimo. Use las disposiciones de pernos de montaje de la Figura 5. (La parte delantera de la lavadora extractora es la parte inferior de cada diagrama). Consulte la Figura 6 para información detallada sobre los pernos de montaje.

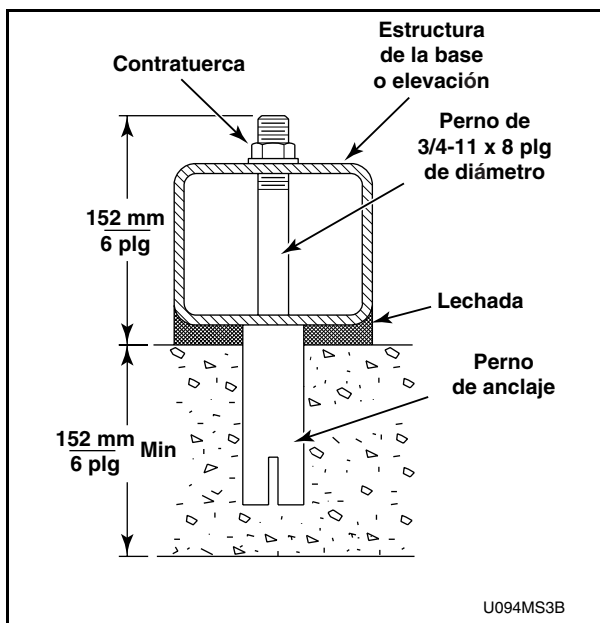


Figura 6

Después de haberse curado el hormigón, siga adelante de la forma siguiente:

1. Coloque la máquina de manera adyacente a los cimientos. No intente desplazarla empujándola desde los lados.
2. Quite la paleta de madera destornillando los tornillos de carruaje sujetando la paleta de madera al bastidor inferior de la máquina.
3. Ponga cuidadosamente la máquina sobre los pernos de anclaje. Alce y nivele la máquina 1/2 pulgada sobre el suelo en tres puntos, usando espaciadores tales como sujetadores de tuerca.
4. Llene los espacios entre la base de la máquina y el suelo con lechada para maquinaria. Aplique lechada completamente debajo de todos los componentes del bastidor. Retire todos los paneles anteriores y posteriores para acceder a todos los componentes del bastidor. Fuerce la lechada bajo la base de la máquina hasta que se hayan llenado todos los espacios.

Instalación

Instalación mecánica (continuación)

5. Quite los espaciadores con cuidado, permitiendo que la máquina se asiente sobre la lechada mojada.
6. Coloque las arandelas y las tuercas de traba en los pernos de anclaje de maquinaria y apriete las tuercas con la mano a la base de la máquina.
7. Después de que la lechada esté completamente seca, apriete las tuercas de traba a incrementos iguales – una tras otra – hasta que todas estén apretadas por igual y la máquina esté bien sujeta al suelo.
8. Retire los cuatro soportes de transporte rojos que aseguran las partes móviles de la máquina durante el transporte. Consulte la Figura 7 para ver las ubicaciones típicas de los soportes de transporte en los modelos autónomos con capacidad para 18 y 25 libras.

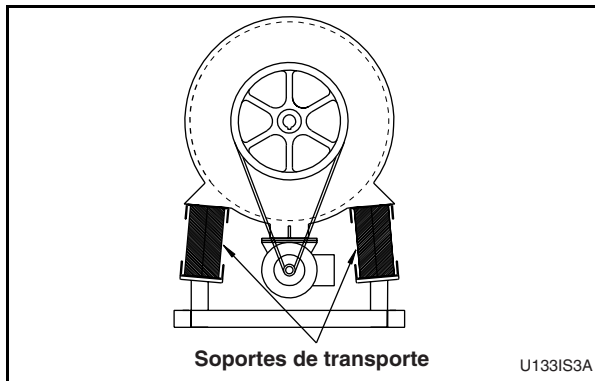


Figura 7

Conexión de drenaje

Un sistema de drenaje de capacidad adecuada es esencial para el rendimiento de la lavadora extractora. Idealmente, el agua debe drenarse por una tubería ventilada directamente en un sumidero o drenaje del suelo. Las Figuras 8 y 9 muestran las configuraciones de la tubería y canal de drenaje.

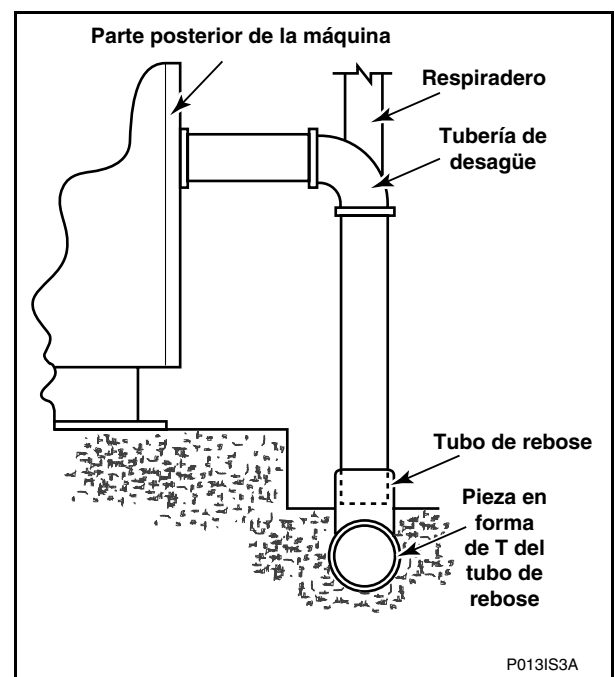


Figura 8

Se debe hacer una conexión flexible a un sistema de drenaje ventilado para prevenir la formación de una bolsa de aire y el sifonado. Si no se dispone de un drenaje de tamaño apropiado o no es práctico, se requiere una cámara de compensación. Se debe usar una cámara de compensación junto con una bomba de sumidero cuando no sea posible drenar por gravedad, tal como en las instalaciones por debajo del nivel del suelo.

Instalación

Conexión de drenaje (continuación)

Antes de desviarse de los procedimientos de instalación especificados, el cliente o el instalador debe ponerse en contacto con el distribuidor.

El aumento de la longitud de la manguera de drenaje, la instalación de codos o la formación de curvaturas disminuirá el caudal de drenaje y aumentará el tiempo de drenaje, deteriorando el rendimiento de la lavadora extractora.

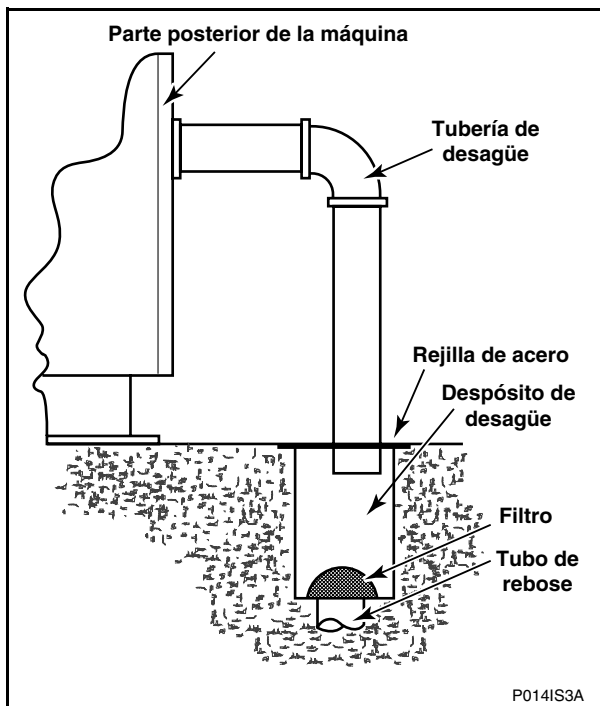


Figura 9

Vea la tabla de información de drenaje autónomo del gabinete en esta subsección para obtener datos sobre un drenaje específico para cada capacidad.

La instalación de lavadoras extractoras adicionales requerirá conexiones de drenaje proporcionalmente mayores. Vea la tabla de dimensiones de la tubería de drenaje autónomo del gabinete en esta subsección.

Gabinete autónomo Información de drenaje	
Tamaño del rebose, mm (plg)	3,8 (1,5)
Tamaño de la conexión de drenaje, D.I., mm (plg)	51 (2)
Número de salidas de drenaje	1
Capacidad de caudal de drenaje, gal/min (l/min)	76 (20)*
Tamaño recomendado del foso de drenaje, l (pies ³)	51 (1,80)

* Estos datos constituyen valores aproximados solamente.

Gabinete autónomo Dimensión de la tubería de drenaje D.I. mínimo de drenaje [mm (plg)]				
Número de máquinas				
1	2	3	4	
76,2 (3)	76,2 (3)	88,9 (3-1/2)	102 (4)	

Instalación

Conexión de agua

Gabinete autónomo Información sobre el suministro de agua	
Tamaño de la conexión de entrada de agua, mm (plg)	G 3/4 (3/4 NH)
Número de entradas de agua (estándar)	2
Presión recomendada en bares (lbs/plg ²)	2 – 5,7 (30 – 85)
Capacidad de caudal de entrada, l/min (gal/min) (80 psi)	45 (12)

Se deben suministrar conexiones por una tubería de agua caliente y fría que tenga al menos los tamaños mostrados en la tabla de dimensiones de las tuberías de suministro de agua. La instalación de máquinas adicionales requerirá tuberías de agua proporcionalmente mayores. Vea la tabla.

Para conectar el suministro de agua a la máquina con mangueras de goma, use el siguiente procedimiento:

1. Antes de instalar las mangueras, enjuague el sistema de agua durante al menos dos minutos.
2. Revise los filtros de las mangueras de entrada de la lavadora extractora para ver si el ajuste es adecuado y si están limpios antes de conectarlas.
3. Cuelgue las mangueras formando un anillo grande; no deje que se retuerzan.

Si se necesitan mangueras más largas, use mangueras flexibles con filtros de rejilla. Cada manguera debe tener un filtro de rejilla instalado para que no se deposite óxido ni otras partículas extrañas en las válvulas de entrada de agua.


Una presión de 2 – 5,7 bares (30 – 85 lbs/plg²) proporciona el mejor rendimiento. Aunque la lavadora extractora funcionará bien a una presión menor, aumentarán los tiempos de llenado.

Se deben instalar amortiguadores de aire adecuados en las tuberías de suministro para prevenir golpes de ariete. Si la presión del agua es mayor que 60 lbs/plg², se debe usar un tubo de cobre flexible en lugar de mangueras de goma.


Gabinete autónomo Diámetro de las tuberías de suministro de agua			
Modelo	Número de máquinas	Tamaño de tuberías de suministro [mm (plg)]	
		Principal	Caliente/ Fría
18	1	19 (0,75)	19 (0,75)
	2	25 (1,0)	25 (1,0)
	3	32 (1,25)	25 (1,0)
	4	38 (1,5)	25 (1,0)
25	1	19 (0,75)	19 (0,75)
	2	25 (1,0)	25 (1,0)
	3	32 (1,25)	25 (1,0)
	4	38 (1,5)	25 (1,0)

Instalación

Instalación eléctrica

	ADVERTENCIA
<p>Sólo personal capacitado de mantenimiento eléctrico debe instalar, ajustar y dar mantenimiento a esta máquina. Este personal debe estar familiarizado con la construcción y la operación de este tipo de maquinaria y con los peligros potenciales que presenta. Si no se cumple con esta advertencia, pueden ocasionarse lesiones personales y/o daños al equipo y podría anularse la garantía.</p>	
<small>SW004S</small>	


	ADVERTENCIA
<p>Hay voltajes peligrosos en las cajas de control eléctrico y en las conexiones del motor. Sólo el personal capacitado para realizar procedimientos de pruebas eléctricas y conocedor del equipo de pruebas y de las precauciones de seguridad debe intentar hacer ajustes y reparar averías. Desconecte la corriente eléctrica de la máquina antes de quitar la cubierta de la caja de control eléctrico y de intentar realizar los procedimientos de servicio.</p>	
<small>SW005S</small>	


	ADVERTENCIA
<p>Asegúrese de conectar un conductor de conexión a tierra a una conexión real a tierra en la terminal ubicada cerca del bloque de conexiones de entrada en esta máquina. Si la máquina no se conecta correctamente a tierra, podrían ocasionarse lesiones personales graves por descarga eléctrica y daño a la máquina.</p>	
<small>SW008S</small>	

El mando del inversor de CA requiere una fuente de alimentación limpia sin aumentos súbitos de voltaje. Se debe usar un monitor de

voltaje para comprobar la corriente de entrada. La compañía eléctrica local del cliente puede proporcionar un monitor de este tipo.

Si el voltaje de entrada es superior a 230 V para un mando de 200 V, o superior a 440 V para un mando de 400 V, pida a la compañía eléctrica que baje el voltaje. Como alternativa, el distribuidor dispone de un juego de transformador reductor. Los voltajes mayores que 250 V y 490 V requieren medidas adicionales. Póngase en contacto con el distribuidor o el fabricante para obtener asistencia.


	ADVERTENCIA
<p>Nunca toque las conexiones o los componentes del mando inversor de CA a menos de que haya desconectado la corriente eléctrica y que la luz del diodo indicador de CHARGE (carga) esté apagada. El mando inversor de CA retiene voltaje potencialmente mortal durante algún tiempo después de que se desconecta la corriente. No existen piezas a las que el usuario pueda dar servicio dentro del mando inversor de CA. Si se altera o toca indebidamente el mando se anula la garantía.</p>	
<small>SW009S</small>	

	PELIGRO
<p>Al controlar el mando del inversor de CA con una unidad de parámetros, se pasan por alto el ordenador de la máquina y sus características de seguridad. Esto permite que la cesta gire a velocidades altas con la puerta abierta. Al usar una unidad de parámetros para controlar el mando del inversor de CA, se debe colocar un letrero grande delante de la máquina, advirtiendo a la gente del peligro inminente.</p>	
<small>SW003S</small>	

Instalación

El mando de CA proporciona una protección de sobrecarga para el motor de mando. Sin embargo, deberá instalarse un disyuntor trifásico separado o un disyuntor monofásico (si la máquina es un modelo monofásico) para que exista una protección completa contra sobrecargas. Este disyuntor deberá desconectar todos los polos cuando esté en la posición abierta. Esto impide que se dañe el motor desconectando todos los hilos exteriores si se pierde uno por accidente. Compruebe la placa de datos de la parte trasera de la lavadora extractora o consulte la tabla de especificaciones eléctricas de esta subsección para obtener los requisitos del disyuntor.

Nota: NO use fusibles en lugar de un disyuntor.

	PRECAUCIÓN
No use un adicionador de fase en ninguna máquina de velocidad variable.	
SW037S	

La lavadora extractora deberá conectarse a un ramal individual que no esté compartido con el sistema de iluminación u otros equipos.

La conexión debe estar protegida en un conducto estanco a los líquidos o conducto flexible aprobado con conductores apropiados del tamaño correcto instalados según el National Electric Code y otros códigos aplicables. La conexión debe ser efectuada por un electricista cualificado usando el diagrama de conexiones incluido con la lavadora extractora, o según las normas europeas aceptadas para equipos aprobados por la CE.

Use los tamaños de cables indicados en la tabla de especificaciones eléctricas para tramos de hasta 50 pies. Use el tamaño más grande siguiente para tramos de 50 a 100 pies. Use 2 tamaños más grandes para tramos de más 100 pies.

Para la seguridad personal y una operación apropiada, la lavadora extractora debe estar conectada a tierra según los códigos estatales y locales. Si dichos códigos no están disponibles, la puesta a tierra debe realizarse según el National Electric Code, artículo 250-95. La conexión a tierra debe ser a una tierra en buenas condiciones, no a un conducto o tuberías de agua.

Si se utiliza un sistema de suministro en triángulo, la pata alta puede conectarse a L3 en los modelos de gabinete autónomo ya que todas las máquinas están equipadas con transformadores de control.

Nota: No deben instalarse temporizadores o instrumentos similares que puedan apagar la máquina automáticamente, ya sea en el circuito de suministro de la máquina o en cualquier otro lugar.

Instalación

Gabinete autónomo Especificaciones eléctricas													
Designación de voltaje						Estándar				Calentamiento eléctrico			
Modelo	Código	Voltaje	Ciclo	Fase	Cable	Carga amperios completa	Disyuntor	AWG	mm ²	Carga amperios completa	Disyuntor	AWG	mm ²
18	X	200-240	50-60	1 o 3	2 o 3	6/4	15	14	2x2,5 3x2,5	--	--	--	--
	P*	380-415	50-60	3	3	3	15	--	3x2,5	12	15	--	3x2,5
	Q	200-240	50-60	3	3	5	15	14	--	18	20	12	--
	T*	200-240	50-60	1	2	8	15	14	--	31	35	8	--
25	X	200-240	50-60	1 o 3	2 o 3	11/6	15	14	2x2,5 3x2,5	--	--	--	--
	P*	380-415	50-60	3	3	3	15	--	3x2,5	12	15	--	3x2,5
	Q	200-240	50-60	3	3	7	15	14	--	18	20	12	--
	T	200-240	50-60	1	2	12	15	14	--	31	35	8	--

Nota: Los tamaños de los cables mostrados son para cobre, THHN, conductor de 90° según el artículo 310 de NEC.


Nota: El voltaje X no es compatible con los modelos de la CE y/o de calor eléctrico.

IMPORTANTE: Para máquinas con voltaje X: Si la alimentación de entrada es monofásica, conecte L1 a L1 en el bloque de terminales, y L2 a L2 en el bloque de terminales. Deje L3 desconectado en el bloque de terminales de entrada. Si la alimentación de entrada es trifásica, conecte L1, L2 y L3 a L1, L2 y L3 en el bloque de terminales.

Instalación

Requisitos de vapor (Opción de calentamiento de vapor solamente)

Para máquinas equipadas con calentamiento de vapor optativo, instale las tuberías según las prácticas de vapor comerciales aprobadas. En la tabla siguiente se muestran los requisitos de vapor.

	ADVERTENCIA
<p>Nunca toque tuberías, conexiones o componentes internos o externos de vapor. Estas superficies pueden estar demasiado calientes y pueden causar quemaduras graves. Es necesario cerrar el vapor y dejar enfriar las tuberías, las conexiones y los componentes antes de tocarlos.</p>	
SW014S	

Nota: De no instalar el filtro de vapor suministrado se puede anular la garantía.

Gabinete autónomo Información sobre el suministro de vapor		
	18	25
Conexión de entrada de vapor, mm (plg)	DN15 (1/2 NPT)	DN15 (1/2 NPT)
Número de entradas de vapor	1	1
Presión recomendada en bares (lbs/plg ²)	2,0 – 5,5 (30 – 80)	2,0 – 5,5 (30 – 80)
Presión máxima, bares (lbs/plg ²)	5,4 (80)	5,4 (80)

Instalación

Sistema de suministro de inyección de productos químicos

	ADVERTENCIA
<p>Use protección para los ojos y las manos cuando use productos químicos. Siempre evite el contacto directo con productos químicos. Lea las instrucciones del productor acerca de las precauciones a seguir en caso de contacto accidental, antes de usar los productos químicos. Asegúrese de que exista un lugar para enjuagarse los ojos y una ducha (regadera) de emergencia a la mano. Revise a intervalos regulares para asegurarse de que no existan fugas de productos químicos.</p>	
SW016S	

El goteo de productos químicos sin diluir puede dañar la máquina. Por lo tanto, todas las bombas de distribución de suministro de productos químicos deben montarse por debajo del punto de inyección de la lavadora. Todas las tuberías de distribución deben pasar por debajo del punto de inyección. Los anillos no previenen los goteos si no se siguen estas instrucciones. De no seguir estas instrucciones se podría dañar la máquina y anular la garantía. La Figura 10 muestra un sistema típico de suministro de inyección de productos químicos.

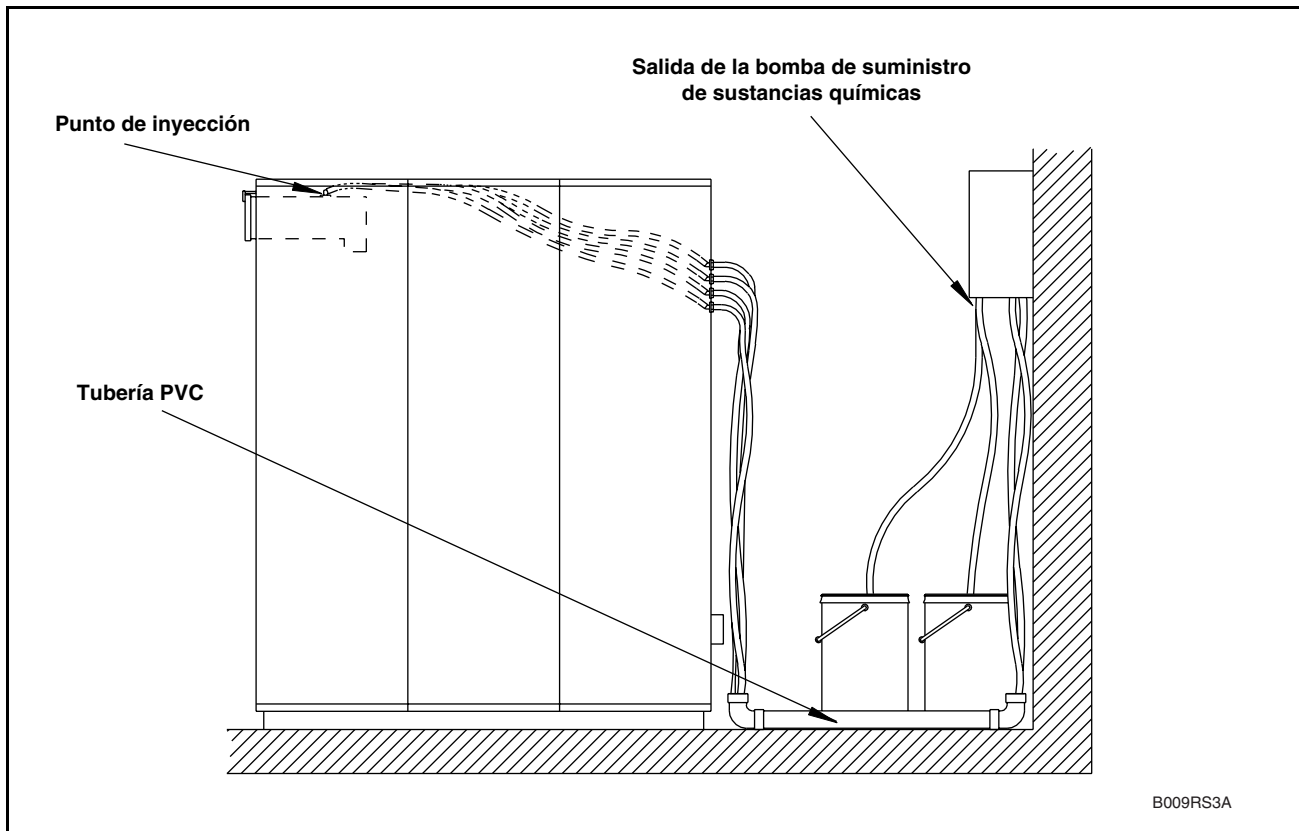


Figura 10

Instalación

La caja de corriente de entrada alberga una tira de abrazadera de jaula que proporciona señales de salida para las bombas de suministro de inyección de productos químicos.

Debe utilizarse una fuente de corriente externa para proporcionar alimentación al sistema de inyección del voltaje P. Las conexiones externas de suministro de fluidos están ubicadas en la parte posterior de la máquina.

Para conectar suministros externos, siga el procedimiento siguiente:

1. En la parte trasera de la máquina, ubique la abertura de 1-1/2 pulgadas situada en el lado superior derecho del panel de válvulas.
2. Junte las mangueras de suministro externo y páselas a través de la abertura.
3. Ubique las 4 boquillas con tapa en el distribuidor de suministro líquido y quite las tapas. Consulte la Figura 11.

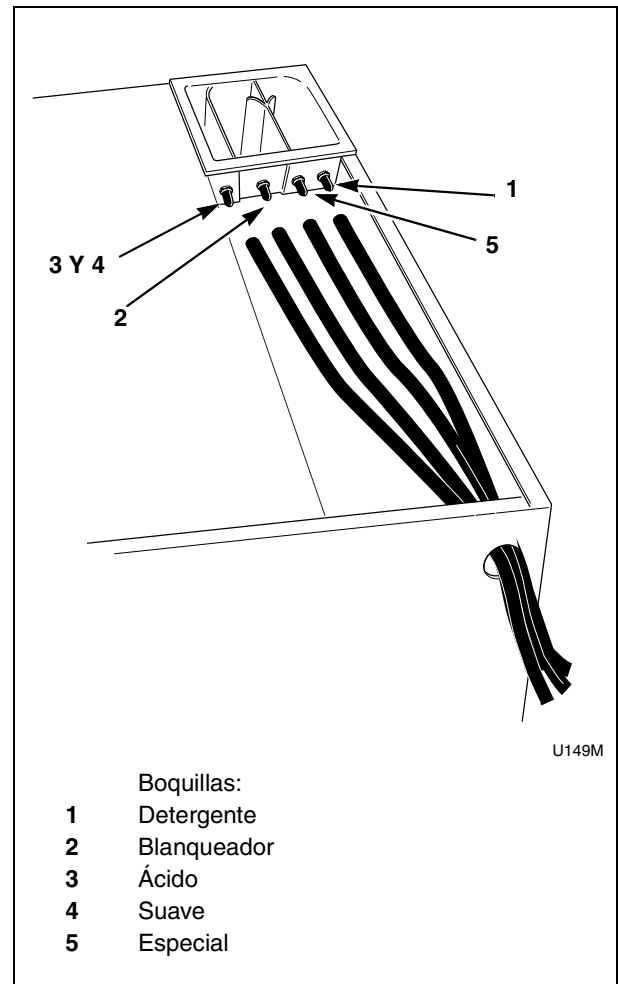


Figura 11

4. Conecte las mangueras a las boquillas empujando cada manguera sobre el borde de la boquilla. Las mangueras deben encajar firmemente sobre las boquillas y luego asegurarse con las abrazaderas apropiadas.

Instalación

PRECAUCIÓN

Intentar obtener 110 VCA utilizando L1 ó L2 con la línea común puede ocasionar daños a los circuitos de la máquina y/o al sistema de inyección de productos químicos. Al utilizar un cable de corriente de 240 VCA en la lavadora extractora y una conexión a tierra para obtener 110 VCA puede ocasionar problemas con el microprocesador.

SW028S

Consulte los detalles de operación en las instrucciones del sistema de suministro de inyección de productos químicos. Consulte las Figuras 12 y 13 para información sobre las calcomanías de tira de terminal.

P/N 231376-5

LINE 1
LINE 2
SUPPLY 2
SUPPLY 3
SUPPLY 4
SUPPLY 5
COMMON

2-60HZ 200-240V

COMMON TO SPLY 1 THRU SPLY 5 YIELDS 120VAC

3A/10A MAX./250V

CAUTION

EXTERNAL SUPPLY CONNECTIONS
LINE 1 TO LINE 2 YIELDS 240VAC
FUSED 3A, 10A FUSE MAX

COMMON IS NOT A TRUE NEUTRAL
DO NOT USE WITH LINE 1 OR LINE 2

P/N 231345-4 R056IS3A

Modelos de 200-240V

Figura 12

P/N 231345-5

SUPPLY 1
SUPPLY 2
SUPPLY 3
SUPPLY 4
SUPPLY 5
COMMON

COMMON TO SPLY 1 THRU SPLY 5 YIELDS 220VAC

CAUTION

EXTERNAL SUPPLY CONNECTIONS

COMMON IS NOT A TRUE NEUTRAL
DO NOT USE WITH LINE 1 OR LINE 2

P/N 231345-5 R057IS3A

380-415V 50Hz trifásico de 3 terminales

Figura 13

Instalación

Prueba de función de control

La máquina debe limpiarse después de terminar la instalación. Después debe ejecutarse una prueba de función en la máquina descargada:

1. Compruebe el suministro de corriente en lo que se refiere a voltaje, fase y ciclos correctos para asegurarse de que sea apropiado para la máquina.
 2. Abra las válvulas de corte manuales a la máquina.
 3. Conecte la alimentación eléctrica.
 4. Compruebe el enclavamiento de la puerta antes de empezar la operación:
 - a. Intente poner en marcha la lavadora con la puerta abierta. La lavadora no debe ponerse en marcha con la puerta abierta.
 - b. Cierra la puerta sin bloquearla e intente poner en marcha la lavadora. La lavadora no debe ponerse en marcha con la puerta sin bloquear.
 - c. Cierre la puerta y comience un ciclo. Intente abrir la puerta mientras el ciclo está en curso. La puerta no deberá abrirse.
- Si el bloqueo y el enclavamiento de la puerta no funcionan de forma adecuada, llame a un técnico de servicio.
5. Seleccione Ciclo 01 pulsando la tecla **0** y la tecla **1** del teclado. Luego pulse la tecla de **Start (Arranque)**.
 6. Ejecute un ciclo completo, comprobando la operación de las válvulas de entrada de agua, de drenaje y las funciones de extracción.
 7. La rotación deber ser en sentido contrario a las agujas del reloj en el paso de extracción. Si la rotación no es en el sentido contrario a las agujas del reloj en el paso de extracción, desconecte la corriente. Un eléctrico cualificado debe invertir dos cables principales cualquier del mando de CA y el motor. Consulte la Figura 14.

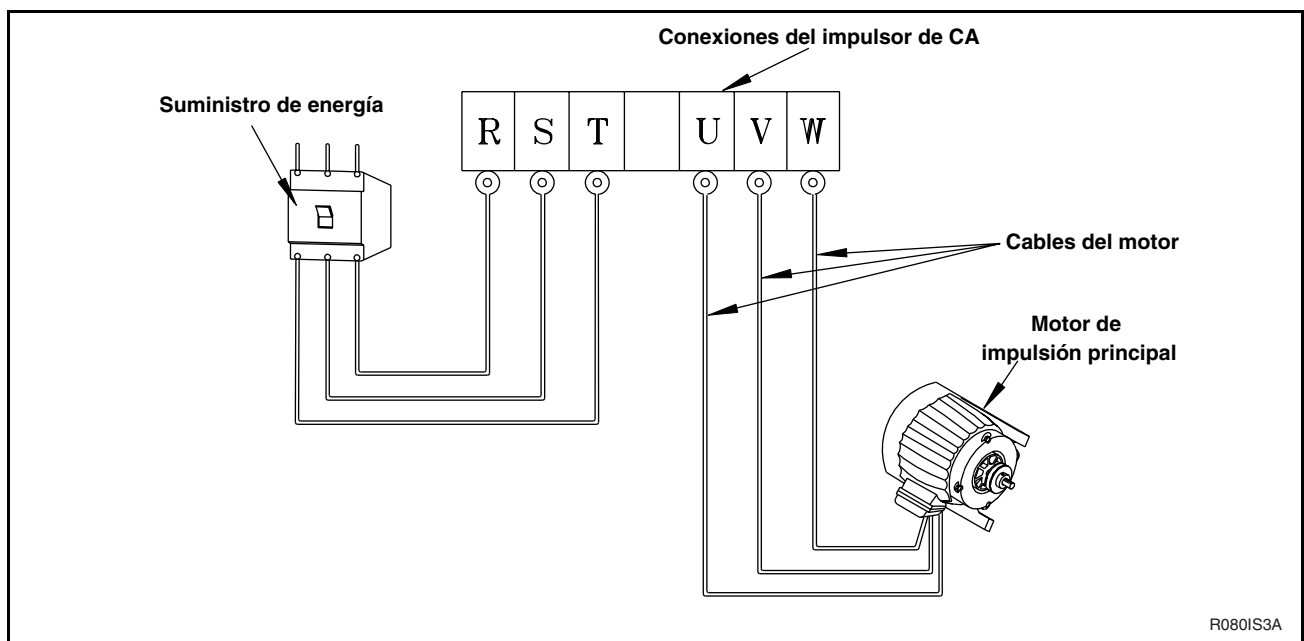




Figura 14

Sección 3

Mantenimiento

El mantenimiento de rutina aumenta al máximo la eficiencia de operación y reduce al mínimo el tiempo de inactividad. Los procedimientos de mantenimiento descritos a continuación prolongarán la duración de la máquina y ayudarán a prevenir accidentes.

	ADVERTENCIA
Tenga cuidado al manipular piezas de chapa de metal. Los bordes afilados pueden ocasionar lesiones personales. Lleve gafas y guantes de seguridad, use las herramientas adecuadas y proporcione una iluminación adecuada.	
<small>SW035S</small>	

	PRECAUCIÓN
Vuelva a colocar todos los paneles que haya quitado al realizar los procedimientos de servicio y mantenimiento. No use la máquina si no tiene instalados todos los protectores ni si tiene piezas descompuestas o si le faltan piezas. No evite ningún dispositivo de seguridad.	
<small>SW019S</small>	

Se proporcionan listas de comprobación diarias, semanales, mensuales y trimestrales al final de esta sección. Lamine las listas de comprobación para preservarlas y poder copiarlas. Se recomienda a los operadores y técnicos que agreguen comprobaciones específicas a su aplicación particular de la máquina. Cuando sea posible, se proporcionará espacio en las listas de comprobación para este fin.

Se deben efectuar regularmente los siguientes procedimientos de mantenimiento en los intervalos requeridos.

Diariamente

Al principio del día

1. Inspeccione las conexiones de manguera de la válvula de entrada de agua en la parte trasera de la máquina para ver si hay fugas.
2. Inspeccione si hay fugas en las conexiones de la manguera de vapor donde corresponda.
3. Verifique que esté intacto el aislamiento en todos los cables externos y que estén sujetas todas las conexiones. Si se ven cables sin aislamiento, llame a un técnico de servicio.

Mantenimiento

Diariamente (continuación)

4. Compruebe el enclavamiento de la puerta antes de empezar la operación:
 - a. Intente poner en marcha la lavadora con la puerta abierta. La lavadora no debe ponerse en marcha con la puerta abierta.
 - b. Cierra la puerta sin bloquearla e intente poner en marcha la lavadora. La lavadora no debe ponerse en marcha con la puerta sin bloquear.
 - c. Cierre y bloquee la puerta, y comience un ciclo. Intente abrir la puerta mientras el ciclo está en curso. La puerta no deberá abrirse.

Si el bloqueo y el enclavamiento de la puerta no funcionan de forma adecuada, llame a un técnico de servicio.

Al final del día

1. Limpie el filtro de la caja mando de CA:
 - a. Quite la tapa de plástico externa que contiene el filtro.
 - b. Quite el filtro de espuma de la tapa.
 - c. Lave el filtro con agua templada y deje que se seque al aire. Se puede limpiar el filtro con una aspiradora.
2. Limpie los residuos de detergente y todas las materias extrañas de la empaquetadura de la puerta.
3. Limpie el distribuidor de suministro automático y la tapa por fuera y por dentro con un detergente suave. Enjuague con agua limpia.
4. Limpie los paneles superior, delantero y laterales de la lavadora con detergente suave. Enjuague con agua limpia.

5. Deje abierta la puerta de carga al final de cada día para dejar que se evapore la humedad.

Nota: Descargue pronto la máquina después de cada ciclo completo para que no se acumule humedad. Deje abierta la puerta de carga al final de cada ciclo completo para dejar que se evapore la humedad.

Semanalmente

1. Compruebe si hay fugas en la máquina.
 - a. Empiece un ciclo sin carga para llenar la máquina.
 - b. Verifique que no haya fugas por la puerta ni por la empaquetadura de la puerta.
 - c. Verifique que la válvula de drenaje esté funcionando. Si no hay fugas de agua durante el segmento de prelavado, la válvula de drenaje está cerrada y funcionando de forma apropiada.

Mantenimiento

Mensualmente

Nota: Desconecte la corriente de la máquina en la fuente original antes de efectuar los procedimientos de mantenimiento mensuales.

1. Limpie las aletas del mando de CA:
 - a. Retire la cubierta de la caja del mando de CA.
 - b. Limpie las aletas usando soplando aire comprimido a una presión de 60 a 90 psi, o usando aire comprimido enlatado. Tenga cuidado de no dañar el ventilador de enfriamiento u otros componentes.

Nota: No debe dejarse que se acumule materiales extraños en las aletas o en el protector de dedo.

2. Use los siguientes procedimientos para determinar si es necesario reemplazar o ajustar la correa trapecial. En ambos casos llame a un técnico de servicio cualificado.
 - a. Compruebe la correa trapecial para ver si está desgastada de forma desigual o si tiene los bordes raídos.
 - b. Una vez desconectada la corriente de la máquina y de haber retirado todos los paneles necesarios para acceder a la correa de arrastre, siga el método siguiente para verificar que la correa trapecial tiene la tensión apropiada.

Consulte la Figura 14. Afloje los pernos de montaje del motor y deslice el motor a lo largo de la placa del motor para cambiar la longitud de separación de la correa. Se deben medir las tensiones de la correa tan cerca del centro de la longitud de separación de la correa como sea posible. Se deberá aplicar una fuerza establecida en el centro de la longitud de separación, tal y como se especifica en la siguiente tabla.

Capacidad de la máquina (lbs)	Tensión (plg)	Fuerza aplicada (lbs)
18	0,246	5,6
25	0,250	5,6

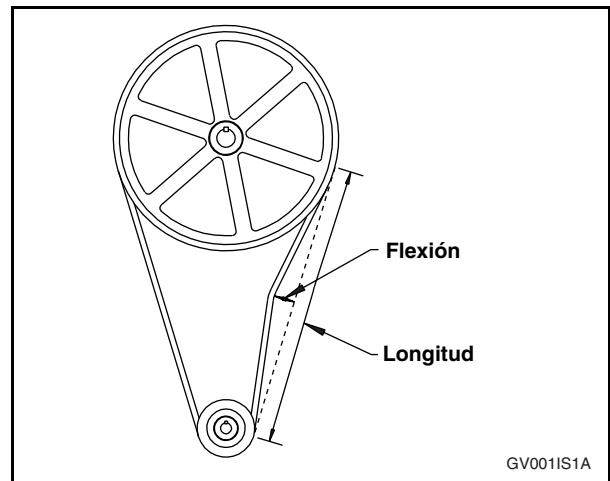


Figura 14

- c. Verifique que la correa trapecial esté bien alineada comprobando la alineación de las poleas. Coloque una regla a través de ambas caras de las poleas. La regla debe hacer contacto con las poleas en cuatro lugares. Vea la Figura 15.

Mantenimiento

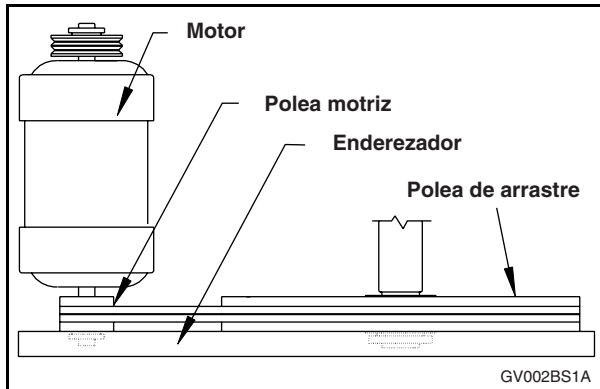


Figura 15

3. Quite el panel trasero y compruebe si hay fugas en la manguera de rebose y manguera de drenaje.
 4. Desbloquee la tapa abisagrada y compruebe las mangueras del distribuidor y sus conexiones.
 5. Limpie la rejilla del filtro de la manguera de entrada:
 - a. Cierre el agua y deje enfriarse la válvula, si es necesario.
 - b. Desatornille la manguera de entrada y quite la rejilla del filtro.
 - c. Limpie con agua jabonosa y vuelva a instalar. Sustitúyala si está desgastada o dañada.
 6. Apriete las tuercas de traba de los pernos de montaje del motor y las tuercas de traba de los pernos de los cojinetes, si es necesario.
 7. Use aire comprimido para limpiar la pelusa del motor.
 8. Limpie el interior de la máquina, tanto la cesta como el recubrimiento, pasando una esponja o trapo empapado en agua.
 9. Use aire comprimido para asegurarse de que todos los componentes eléctricos estén libres de humedad y polvo.
- ## Trimestralmente
-
- Nota:** Desconecte la corriente de la máquina antes de efectuar los procedimientos de mantenimiento trimestrales.
-
1. Apriete las bisagras y sujetadores de la puerta, según sea necesario.
 2. Apriete los pernos de anclaje, si es necesario.
 3. Compruebe si hay metal al descubierto en las superficies pintadas. (El fabricante dispone de pintura gris que hace juego).
 - Si se ve metal al descubierto, píntele con imprimador o pintura a base de disolvente.
 - Si aparece óxido, quítelo con papel de lija o productos químicos. Luego, pinte con imprimador o con pintura a base de disolvente.
 4. Limpie el filtro de vapor, donde corresponda.
 - a. Cierre el suministro de vapor y espere a que se enfríe la válvula.
 - b. Desatornille la tuerca.
 - c. Quite el elemento y límpielo.
 - d. Vuelva a instalar el elemento y la tuerca.
 5. Inspeccione la posible presencia de desgaste o corrosión en los componentes de suspensión. Observe la operación de la máquina para asegurar la tensión y operación apropiadas del sistema de suspensión.

Mantenimiento

Cuidado del acero inoxidable

Mantenga la belleza natural del acero inoxidable y prolongue su vida de servicio siguiendo los siguientes consejos:

- Los depósitos normales de suciedad y grasa pueden limpiarse con agua y detergente. El metal deberá ser bien aclarado y secado después del lavado. Una limpieza periódica ayudará a mantener una apariencia brillante de la superficie y a prevenir la corrosión.
- Deberá evitarse el contacto con metales distintos siempre que sea posible. Esto prevendrá la corrosión galvánica cuando hayan presentes soluciones salinas o ácidas.
- No debe permitirse que las soluciones salinas o ácidas se evaporen y sequen sobre acero inoxidable. Esto puede provocar corrosión. Verifique que el acero inoxidable se limpie con un paño para eliminar residuos de solución ácida
- Los depósitos que se adhieren al acero inoxidable deberán ser eliminados, especialmente en hendiduras y esquinas. No utilice nunca lana de acero normal ni cepillos de acero sobre el acero inoxidable.
- Si parece que se oxida el acero inoxidable, el origen de la oxidación puede ser una pieza de hierro o acero que no sea inoxidable, tal como un clavo o un tornillo. Un remedio puede ser pintar todas las piezas de acero al carbono con una capa protectora espesa. Se deben usar sujetadores de acero inoxidable siempre que sea posible.
- Las zonas descoloridas o las termocoloraciones debido a recalentamiento pueden ser eliminadas restregando con un polvo o empleando soluciones químicas especiales.
- No deberán dejarse soluciones sanitarias o esterilizadoras sobre el equipo de acero inoxidable durante períodos de tiempo prolongados. A menudo contienen cloro, que puede provocar corrosión. El acero inoxidable deberá limpiarse y aclararse bien cuando se haya aplicado alguna solución con cloro.
- Cuando se use un suministro externo de productos químicos, asegúrese de que no se sifonen los productos químicos cuando no se use la lavadora extractora. Los productos químicos muy concentrados pueden ocasionar daños graves en el acero inoxidable y otros componentes del interior de la máquina. Los daños de este tipo no están cubiertos por la garantía del fabricante. Coloque la bomba debajo del punto de inyección de la lavadora extractora para no sifonar productos químicos en la máquina.

Mantenimiento

Lista de comprobación de mantenimiento preventivo diario

Máquina _____	Semana de: _____						
Operario _____	Días						
Comprobaciones	1	2	3	4	5	6	7
¡Siga todas las advertencias de seguridad!							
Al principio del día							
1. Inspeccione las conexiones de manguera de la válvula de entrada de agua en la parte trasera de la máquina para ver si hay fugas.							
2. Inspeccione si hay fugas en las conexiones de la manguera de vapor donde corresponda.							
3. Verifique que esté intacto el aislamiento en todos los cables externos y que estén sujetas todas las conexiones.							
4. Inspeccione el bloqueo y el enclavamiento de la puerta antes de comenzar la operación:							
a. Intente poner en marcha la lavadora con la puerta abierta.							
b. Cierra la puerta sin bloquearla e intente poner en marcha la lavadora.							
c. Cierre y bloquee la puerta, comience un ciclo e intente abrir la puerta durante el curso del ciclo.							
Al final del día							
1. Limpie el filtro de la caja mando de CA.							
2. Limpie la junta de la puerta para que no haya partículas extrañas.							
3. Limpie el dispensador de suministro automático y la tapa.							
4. Limpie los paneles superior, delantero y laterales de la lavadora.							
5. Deje abierta la puerta de carga al final de cada día para que se evapore la humedad.							
6.							
<p>Nota: Descargue pronto la máquina <i>después de cada ciclo completo</i> para que no se acumule humedad.</p> <p>Nota: Deje abierta la puerta de carga <i>al final de cada ciclo</i> para que se evapore la humedad.</p> <p>Nota: El remplazo inapropiado del filtro de la caja de mando de CA resultará en el atascamiento de la bomba.</p>							

Mantenimiento

Lista de comprobación de mantenimiento preventivo semanal

Máquina _____	Mes _____				
Operario _____	Final de semana				
Comprobaciones	/	/	/	/	/
¡Siga todas las advertencias de seguridad!					
1. Compruebe si hay fugas en la máquina:					
a. Empiece un ciclo sin carga para llenar la máquina.					
b. Verifique que no haya fugas por la puerta ni por la junta de la puerta.					
c. Verifique que la válvula de drenaje esté funcionando.					
2.					
3.					
4.					
5.					
6.					
7.					

Mantenimiento

Lista de comprobación de mantenimiento preventivo mensual

Máquina _____ Operario _____	Mes			
Comprobaciones				
¡Siga todas las advertencias de seguridad! Desconecte la corriente de la máquina antes de efectuar los procedimientos de mantenimiento mensuales.				
1. Limpie las aletas del mando de CA.				
2. Determine si las correas trapeciales requieren reemplazo o ajuste.				
a. Compruebe la correa trapecial para ver si está desgastada de forma desigual o si tiene los bordes raídos.				
b. Verifique que la tensión de la correa trapecial sea la correcta.				
c. Verifique que el alineamiento de la correa trapecial sea el correcto.				
3. Retire el panel posterior y compruebe que no haya fugas en las mangueras.				
4. Compruebe las mangueras y conexiones del dispensador de suministro.				
5. Limpie la rejilla del filtro de la manguera de entrada. Sustitúyala si está desgastada o dañada.				
6. Apriete las tuercas de los pernos de montaje del motor y las tuercas de los pernos maestros, si es necesario.				
7. Use aire comprimido para limpiar la pelusa del motor.				
8. Limpie el interior de la máquina, tanto la cesta como la cubierta, frotando con una esponja o un paño húmedos.				
9. Use aire comprimido para limpiar la humedad y el polvo de todos componentes eléctricos.				
10.				
11.				
12.				
13.				
14.				

Mantenimiento

Lista de comprobación de mantenimiento preventivo trimestral

Máquina _____	Trimestre			
Operario _____				
Comprobaciones				
¡Siga todas las advertencias de seguridad! Desconecte la corriente de la máquina antes de efectuar los procedimientos de mantenimiento trimestrales.				
1. Apriete las bisagras y sujetadores de la puerta, según sea necesario.				
2. Apriete los pernos de anclaje, si es necesario.				
3. Compruebe si hay metal al descubierto en las superficies pintadas. Repárelas si es necesario.				
4. Limpie el filtro de vapor, donde corresponda.				
5. Inspeccione los componentes de suspensión.				
6.				
7.				
8.				
9.				
10.				
11.				
12.				
13.				
14.				

Sección 4

Desconexión del servicio

Puesta fuera de servicio

En caso de que la máquina se vaya a poner fuera de servicio, siga estos pasos:

1. Quite el sistema de suministro de inyección de productos químicos, si corresponde.
 - a. Pida a un electricista cualificado que desconecte la corriente del sistema de suministro de inyección de productos químicos en su origen.
 - b. Quite con cuidado el sistema de suministro de inyección de productos químicos de la máquina siguiendo las instrucciones del fabricante. Asegúrese de que no haya ningún producto químico que haga contacto con la piel o la ropa.
2. Limpie el interior de la máquina, tanto la cesta como la cubierta.
 - a. Enjuague el dispensador de suministro (compartimento de jabón) con agua.
 - b. Ejecute un ciclo de enjuague corto para limpiar el detergente y los residuos de productos químicos del interior de la máquina.
3. Desconecte la corriente eléctrica.
 - a. Corte el suministro de corriente principal en la caja de disyuntores o tablero de control principal.
 - b. No intente desconectar los cables de suministro de corriente de la fuente de alimentación. Haga que un técnico cualificado desconecte la corriente que llega a la máquina desde su origen.
4. Desconecte las mangueras.
 - a. Desconecte la manguera de drenaje del sumidero, canalón o drenaje.
 - b. Corte el suministro de agua. Desconecte las mangueras individuales de agua caliente y fría de la máquina.
 - c. Deje tiempo para que se drene el agua residual de la máquina. Luego desconecte la manguera de drenaje de la máquina.
5. Desconecte la manguera de vapor, si corresponde.
 - a. Cierre el suministro de vapor y espere a que se enfríe la válvula.
 - b. Desconecte la manguera de vapor de la máquina.
6. Retire la máquina de su base de cimentación.
 - a. Mantenga todos los paneles colocados para proporcionar estabilidad al mover la máquina.
 - b. Verifique que la puerta esté cerrada y sujeta.

Desconexión del servicio

Puesta fuera de servicio (continuación)

- c. Afloje y quite los pernos de anclaje que sujetan la base de la máquina al suelo, si fuera pertinente.
- d. Rompa la junta enlechada en cada esquina de la máquina, usando una palanca de pata de cabra.
- e. Use las palancas de pata de cabra en las esquinas delanteras para levantar la máquina unas pocas pulgadas para que las horquillas de un montacargas puedan meterse por debajo de la máquina.
- f. La sujeción del bastidor de la base por medio de pernos a una paleta de madera facilitará su transferencia a un vehículo de transporte.