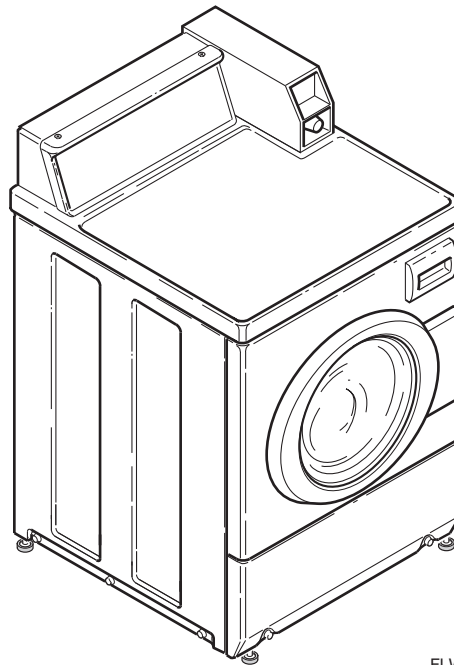


Frontload Washers

Metered Commercial

Installation/Operation



FLW1526C

Keep These Instructions for Future Reference.

(If this machine changes ownership, this manual must accompany machine.)



www.comlaundry.com

Part No. 803148R3
September 2010



WARNING

Failure to install, maintain, and/or operate this machine according to the manufacturer's instructions may result in conditions which can produce bodily injury and/or property damage.

W030

NOTE: The WARNING and IMPORTANT instructions appearing in this manual are not meant to cover all possible conditions and situations that may occur. It must be understood that common sense, caution, and carefulness are factors which cannot be built into these washers. These factors MUST BE supplied by the person(s) installing, maintaining, or operating the washer.

Always contact the distributor, service agent, or the manufacturer about any problems or conditions you do not understand.

Table of Contents

Safety Information	3
Explanation of Safety Messages.....	3
Important Safety Instructions	3
Installation	5
Dimensions and Specifications.....	5
Before You Start.....	6
Tools	6
Installing the Washer	7
Step 1: Position Washer Near Installation Area	7
Step 2: Position and Level the Washer	7
Step 3: Connect Fill Hoses.....	8
Step 4: Connect Drain Hose to Drain Receptacle.....	10
Step 5: Remove the Shock Sleeves and Shipping Brace	11
Step 6: Wipe Out Inside of Wash Drum	11
Step 7: Plug In the Washer.....	12
Step 8: Check Installation	13
Vending.....	13
Meter Case	13
Models Prepped for Card Reader.....	13
Operation	14
Operation Instructions	14
Step 1: Load Laundry.....	14
Step 2: Close Loading Door.....	14
Step 3: Add Laundry Supplies	15
Step 4: Set Fabric Selector	15
Step 5: Set Wash Temperature.....	15
Step 6: Set Soil Level.....	16
Step 7: Insert Coin(s) or Card	16
Step 8: Start Washer.....	16
Indicator Lights.....	17
Maintenance	18
User-Maintenance Instructions.....	18
Lubrication	18
Cold Weather Care.....	18
Care of Your Washer	18
Cleaning Glass Sealing Area	18
Replacing Hoses.....	18
Filter Screens	18
Vacations and Extended Non-Use	18
Reinstallation of Shipping Materials	19
Cleaning Foreign Object Trap	19
Troubleshooting	20
Contact Information	22
Installer Checklist	Back Cover


© Copyright 2010, Alliance Laundry Systems LLC


All rights reserved. No part of the contents of this book may be reproduced or transmitted in any form or by any means without the expressed written consent of the publisher.


Safety Information

Explanation of Safety Messages

Throughout this manual and on machine decals, you will find precautionary statements (“DANGER,” “WARNING,” and “CAUTION”) followed by specific instructions. These precautions are intended for the personal safety of the operator, user, servicer, and those maintaining the machine.

	DANGER
Indicates an imminently hazardous situation that, if not avoided, will cause severe personal injury or death.	

	WARNING
Indicates a hazardous situation that, if not avoided, could cause severe personal injury or death.	

	CAUTION
Indicates a hazardous situation that, if not avoided, may cause minor or moderate personal injury or property damage.	


Additional precautionary statements (“IMPORTANT” and “NOTE”) are followed by specific instructions.

IMPORTANT: The word “IMPORTANT” is used to inform the reader of specific procedures where minor machine damage will occur if the procedure is not followed.

NOTE: The word “NOTE” is used to communicate installation, operation, maintenance or servicing information that is important but not hazard related.

Important Safety Instructions

(Save These Instructions)

	WARNING
To reduce the risk of fire, electric shock, serious injury or death to persons when using your washer, follow these basic precautions:	
W023	

1. Read all instructions before using the washer.
2. Refer to the GROUNDING INSTRUCTIONS in the INSTALLATION manual for the proper grounding of the washer.
3. Do not wash articles that have been previously cleaned in, washed in, soaked in, or spotted with gasoline, dry-cleaning solvents, or other flammable or explosive substances as they give off vapors that could ignite or explode.
4. Do not add gasoline, dry-cleaning solvents, or other flammable or explosive substances to the wash water. These substances give off vapors that could ignite or explode.
5. Under certain conditions, hydrogen gas may be produced in a hot water system that has not been used for two weeks or more. HYDROGEN GAS IS EXPLOSIVE. If the hot water system has not been used for such a period, before using a washing machine or combination washer-dryer, turn on all hot water faucets and let the water flow from each for several minutes. This will release any accumulated hydrogen gas. The gas is flammable, do not smoke or use an open flame during this time.
6. Do not allow children to play on or in the washer. Close supervision of children is necessary when the washer is used near children. This is a safety rule for all appliances.
7. Before the washer is removed from service or discarded, remove the door to the washing compartment.
8. Do not reach into the washer if the wash drum is moving.
9. Do not install or store the washer where it will be exposed to water and/or weather.
10. Do not tamper with the controls.

Safety Information

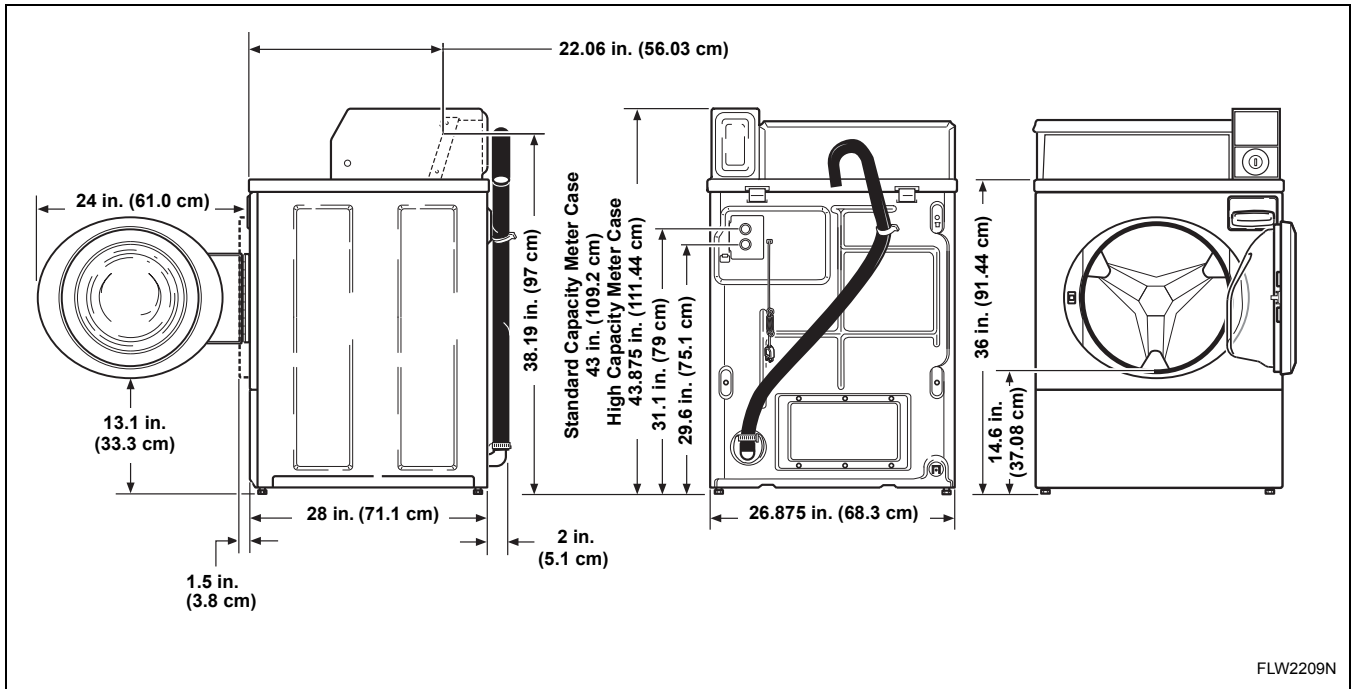
11. Do not repair or replace any part of the washer, or attempt any servicing unless specifically recommended in the user-maintenance instructions or in published user-repair instructions that you understand and have the skills to carry out.
12. To reduce the risk of an electric shock or fire, DO NOT use an extension cord or an adapter to connect the washer to the electrical power source.
13. Use your washer only for its intended purpose, washing clothes.
14. ALWAYS disconnect the washer from electrical supply before attempting any service. Disconnect the power cord by grasping the plug, not the cord.
15. Install the washer according to the INSTALLATION INSTRUCTIONS. All connections for water, drain, electrical power and grounding must comply with local codes and be made by licensed personnel when required. Do not do it yourself unless you know how!
16. To reduce the risk of fire, clothes which have traces of any flammable substances such as vegetable oil, cooking oil, machine oil, flammable chemicals, thinner, etc. or anything containing wax or chemicals such as in mops and cleaning cloths, must not be put into the washer. These flammable substances may cause the fabric to catch on fire by itself.
17. Do not use fabric softeners or products to eliminate static unless recommended by the manufacturer of the fabric softener or product.
18. Keep your washer in good condition. Bumping or dropping the washer can damage safety features. If this occurs, have your washer checked by a qualified service person.
19. If the supply cord is damaged, it must be replaced by a special cord or assembly available from the manufacturer or its service agent.
20. Be sure water connections have a shut-off valve and that fill hose connections are tight. CLOSE the shut-off valves at the end of each wash day.
21. Loading door MUST BE CLOSED any time the washer is to fill, tumble or spin. DO NOT bypass the loading door switch by permitting the washer to operate with the loading door open.
22. Always read and follow manufacturer's instructions on packages of laundry and cleaning aids. Heed all warnings or precautions. To reduce the risk of poisoning or chemical burns, keep them out of the reach of children at all times (preferably in a locked cabinet).
23. Always follow the fabric care instructions supplied by the garment manufacturer.
24. Never operate the washer with any guards and/or panels removed.
25. DO NOT operate the washer with missing or broken parts.
26. DO NOT bypass any safety devices.
27. Failure to install, maintain, and/or operate this washer according to the manufacturer's instructions may result in conditions which can produce bodily injury and/or property damage.

NOTE: The WARNING and IMPORTANT SAFETY INSTRUCTIONS appearing in this manual are not meant to cover all possible conditions and situations that may occur. Common sense, caution and care must be exercised when installing, maintaining, or operating the washer.

Always contact your dealer, distributor, service agent or the manufacturer about any problems or conditions you do not understand.

Installation

Dimensions and Specifications



Installation

Before You Start

Tools

For most installations, the basic tools you will need are:

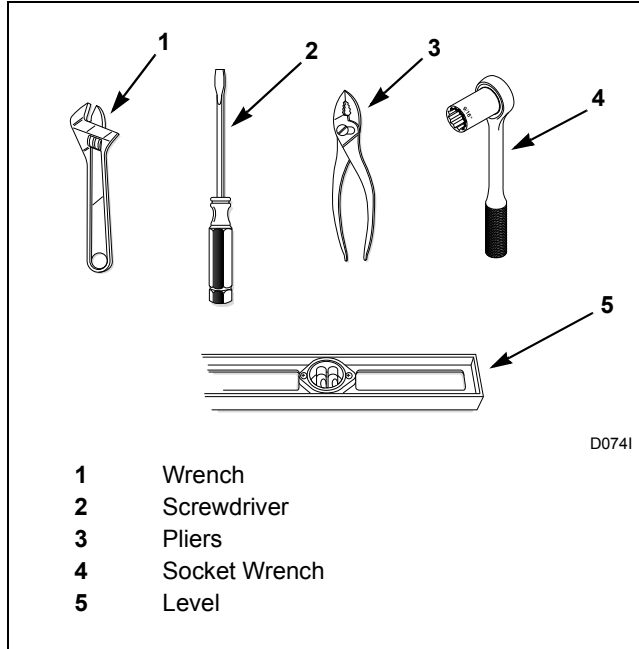


Figure 1

NOTE: If the washer is delivered on a cold day (below freezing), or is stored in an unheated room or area during the cold months, do not attempt to operate it until the washer has had a chance to warm up.

NOTE: Install dryer before washer. This allows room for attaching exhaust duct.

NOTE: Some moisture in the wash drum is normal. Water is used during testing at the manufacturer.

Installing the Washer

Step 1: Position Washer Near Installation Area

Move washer so that it is within 4 feet (1.2 meters) of the desired area of installation.

NOTE: For best performance and to minimize vibration or movement, install washer on a solid, sturdy and level floor. Some floors may need to be reinforced, especially on a second floor or over a basement. Do not install the washer on carpeting, soft tile, a platform or other weakly supported structures.

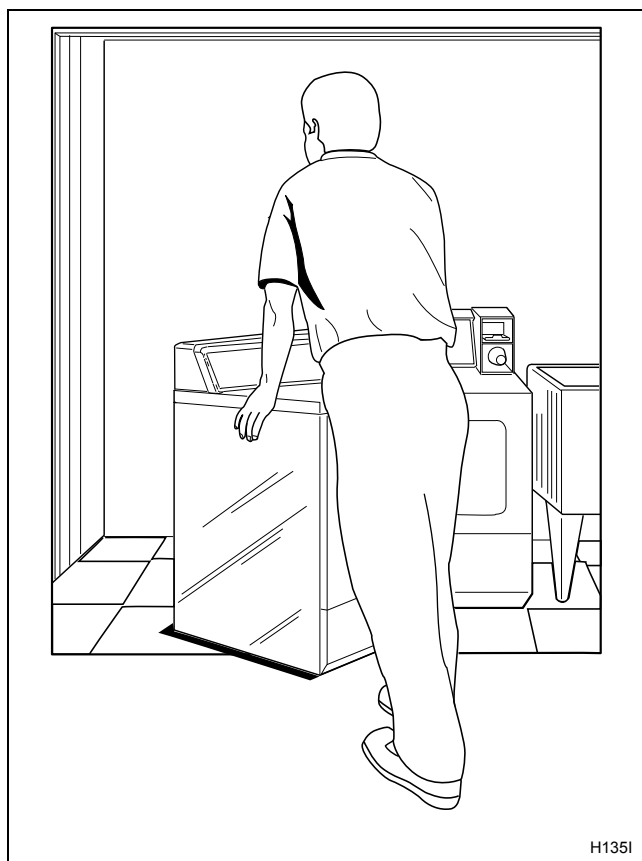


Figure 2

Step 2: Position and Level the Washer



WARNING

Washers elevated above floor level must be anchored to that elevated surface, base or platform. The material used to elevate the washer should also be anchored to the floor to ensure that the washer will not walk or that the washer can not be physically pulled, tipped or slid from its installed position. Failure to do so may result in conditions which can produce serious injury, death and/or property damage.

W306

Position washer so it has sufficient clearance for installation and servicing.

NOTE: Use of the dispenser drawer or washer door as a handle in the transportation of the washer may cause damage to the dispenser or door.

Place washer in position on a solid, sturdy and level floor. Installing the washer on any type of carpeting, soft tile, a platform or other weakly supported structures is not recommended.

Place a level on the cabinet top and check if the washer is level from side to side and front to back.

NOTE: Level must rest on raised portion of top panel. Refer to *Figure 3*.

If washer is not level, tilt washer to access the front and rear leveling legs. For easier access to leveling legs, prop up washer with a wooden block. Refer to *Figure 3*. Loosen 7/8 in. locknut and adjust legs until the washer is level from side to side and front to back (using a level). Washer should not rock.

Tighten the locknuts securely against the washer base using the 7/8 in. wrench. If the locknuts are not tight, washer will move out of position during operation.

Installation

NOTE: DO NOT slide washer across floor if the leveling legs have been extended, as legs and base could become damaged.

Remove rubber feet from accessories bag and place on all four leveling legs.

Verify that unit doesn't rock.

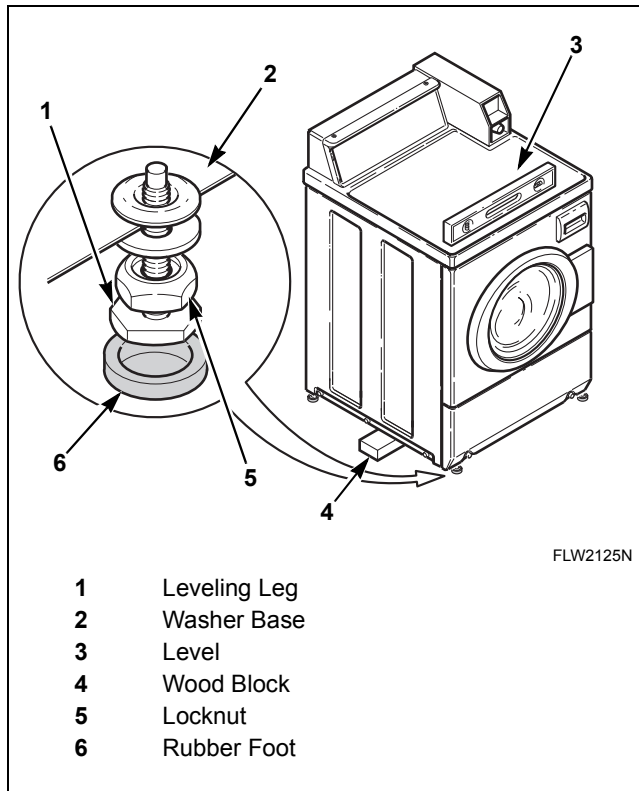


Figure 3

Step 3: Connect Fill Hoses



WARNING

Under certain conditions, hydrogen gas may be produced in a hot water system that has not been used for two weeks or more. HYDROGEN GAS IS EXPLOSIVE. If the hot water system has not been used for such a period and before using the washer, turn on all hot water faucets and let the water flow from each for several minutes. This will release any accumulated hydrogen gas. The gas is flammable. Do not smoke or use an open flame during this time.

W029

Water Supply

Water supply faucets must fit standard 3/4 inch (19.1 mm) female garden hose couplings. **DO NOT USE SLIP-ON OR CLAMP-ON CONNECTIONS.**

Water supply faucets should be readily accessible to permit turning them off when washer is not being used.

Recommended cold water temperature is 60° to 80° Fahrenheit (16° to 27° Celsius). Recommended maximum hot water temperature is 125° Fahrenheit (51° Celsius). Warm water is a mixture of hot and cold water. Warm water temperature is dependent upon water temperature and pressure of both the hot and cold water supply lines.



WARNING

To prevent personal injury, avoid contact with inlet water temperatures higher than 125° Fahrenheit (51° Celsius) and hot surfaces.

W748

Water pressure must be a minimum of 20 to a maximum of 120 pounds per square inch (138 to 827 kPa) static pressure measured at the faucet.

NOTE: Water pressure under 20 pounds per square inch (138 kPa) will cause an extended fill time in the washer and may not properly flush out the detergent dispenser.

Turn on the water supply faucets and flush the lines for approximately two minutes to remove any foreign materials that could clog the screens in the water mixing valve.

NOTE: When installing in newly constructed or renovated building, it is very important to flush the lines since build-up may have occurred during construction.

Connecting Hoses

Insert each filter screen into the end of each fill hose that will connect to the water supply faucet. The screen must be facing outward. Refer to *Figure 4*.

Insert each plain rubber washer into the other end of each fill hose that will connect to the water mixing valve at the rear of the washer. Refer to *Figure 4*.

Thread hose couplings onto valve connections finger-tight, then approximately 1/4 turn with pliers.

IMPORTANT: DO NOT cross thread or overtighten couplings.

Turn water on and check for leaks. If leaks are found, retighten the hose couplings. Continue tightening and rechecking until no leaks are found.

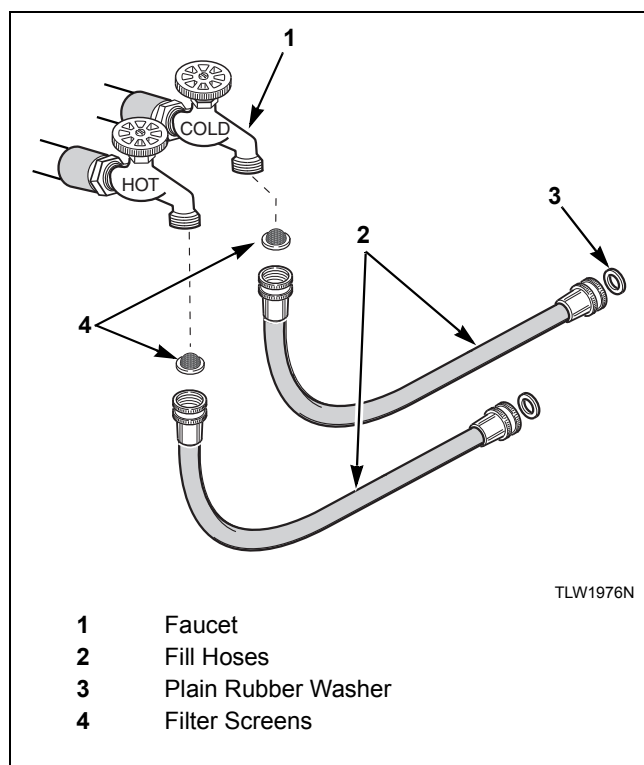


Figure 4

IMPORTANT: Hoses and other natural rubber parts deteriorate after extended use. Hoses may develop cracks, blisters or material wear from the temperature and constant high pressure they are subjected to.

All hoses should be checked on a monthly basis for any visible signs of deterioration. Any hose showing the signs of deterioration listed above should be replaced immediately. All hoses should be replaced every five years.

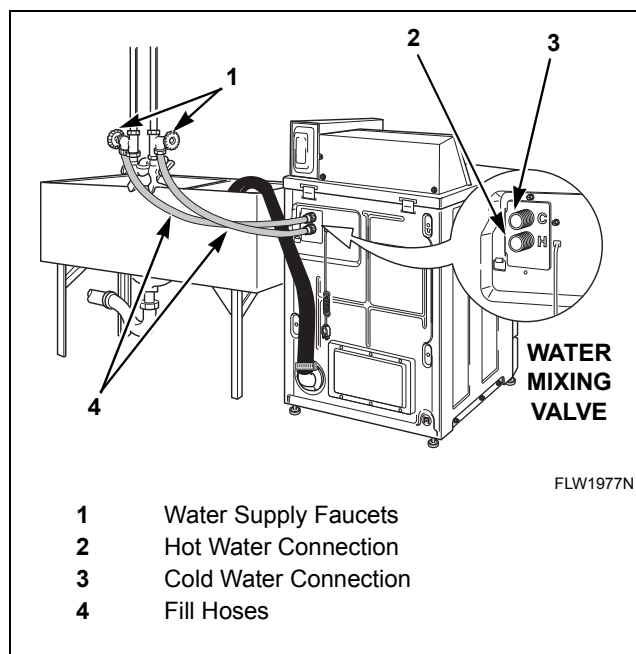


Figure 5

IMPORTANT: Turn off water supply faucets after check-out and demonstration. Owner should turn off water supply whenever there will be an extended period of non-use.

NOTE: Longer fill hoses are available (as optional equipment at extra cost) if the hoses supplied with the washer are not long enough for the installation. Order hoses as follows:

- No. 20617 Fill Hose (8 feet) (2.44 m)
- No. 20618 Fill Hose (10 feet) (3.05 m)

Installation

Risers

Risers (or air cushions) may have to be installed if the pipes knock or pound when flow of water stops. The risers are more efficient when installed as close as possible to the water supply faucets (refer to *Figure 6*).

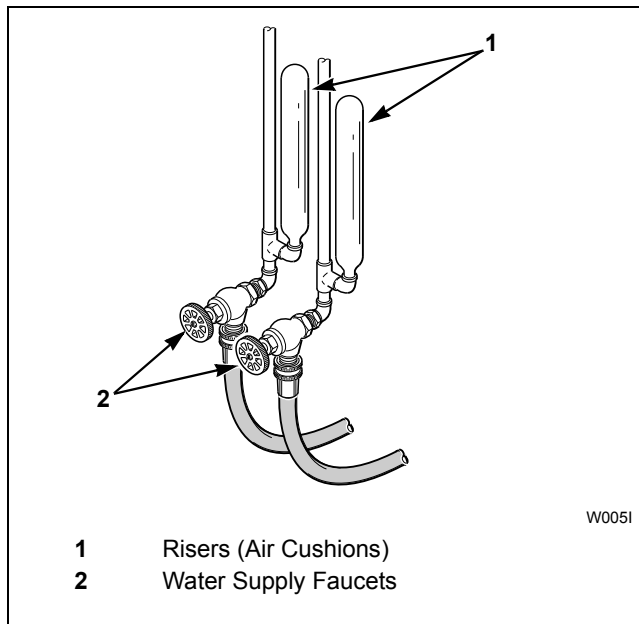


Figure 6

Step 4: Connect Drain Hose to Drain Receptacle

Remove the drain hose from its shipping position on the rear of the washer by removing the shipping tape.

IMPORTANT: Drain receptacle must be capable of handling a minimum of 1-3/8 inch (3.5 cm) outside diameter drain hose.

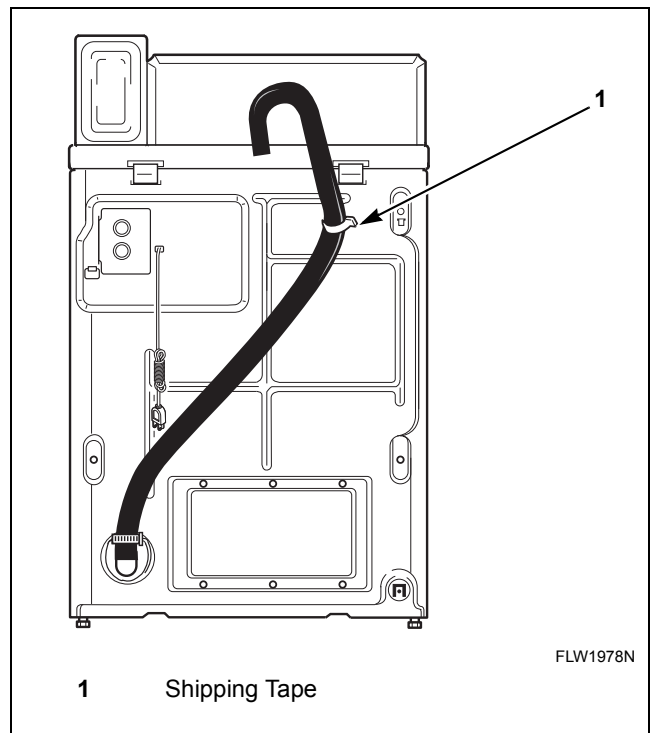


Figure 7

Standpipe Installation

Place the drain hose into the standpipe.

Remove the beaded tie-down strap from accessories bag and place around standpipe and drain hose and tighten strap to hold hose to standpipe. Refer to *Figure 8*. This will prevent the drain hose from dislodging from drain receptacle during use.

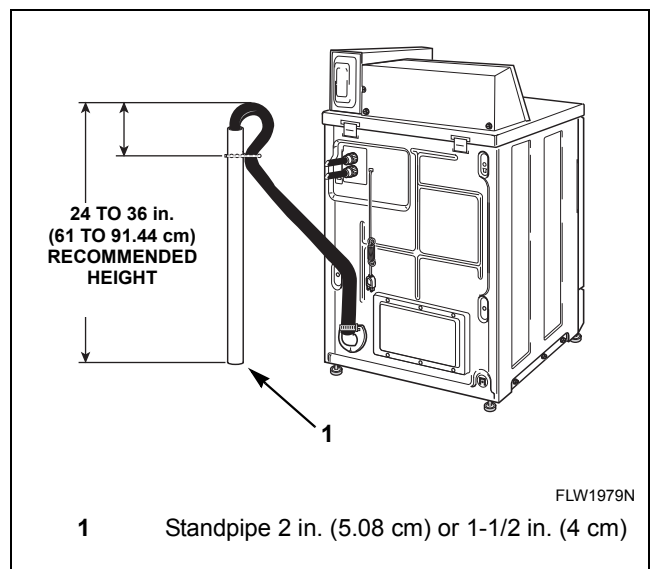


Figure 8

Step 5: Remove the Shock Sleeves and Shipping Brace

Remove front access panel by removing the two screws at the bottom of the panel.

Remove the five bolts and lockwashers from shipping brace with 9/16 in. wrench and remove brace. Refer to *Figure 9*. One is holding the brace to the weight.

Remove this bolt first. Four bolts are located on the washer base. Remove the two front bolts next and then the two rear bolts. Remove all four shock sleeves by pulling on the yellow rope. Remove label from front side of front access panel or shipping brace and place on backside of front access panel for future reference.

NOTE: The shipping brace, bolts, washers and shock sleeves should be saved and MUST be reinstalled whenever the washer is moved more than 4 feet (1.22 m). Refer to *User-Maintenance* section for instructions. Do not lift or transport washer from front or without shipping materials installed.

Store the shipping materials in the accessories bag. Save materials for use whenever the washer is moved.

Reinstall front access panel.

IMPORTANT: DO NOT tip washer more than 6 inches (152.4 mm) in any direction after shipping brace has been removed. Shock absorbers may separate and damage to washer may result. For leveling purposes, the washer may be tilted a maximum of 6 inches (152.4 mm) in any direction.

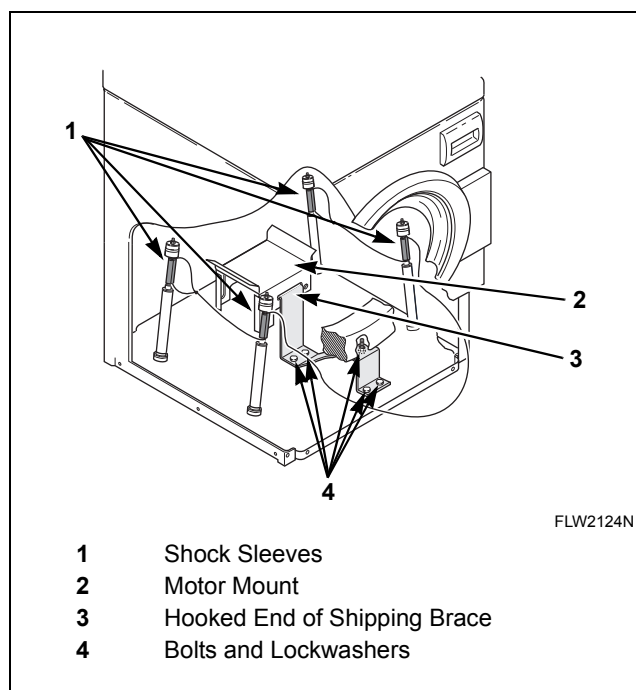


Figure 9

Step 6: Wipe Out Inside of Wash Drum

Before using washer for the first time, use an all-purpose cleaner, or a detergent and water solution, and a damp cloth to remove shipping dust from inside wash drum.

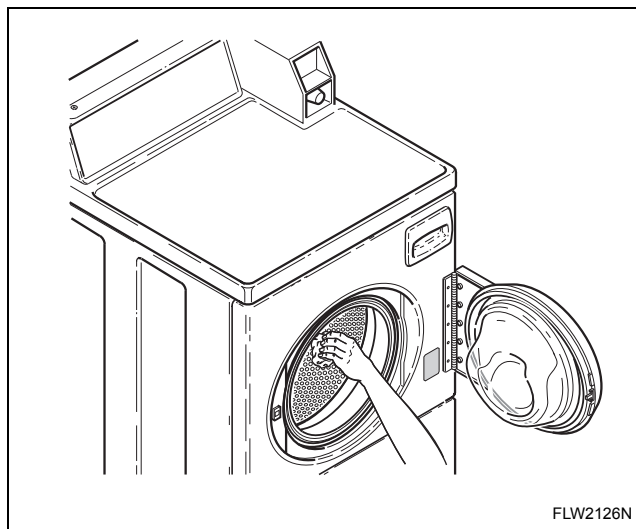


Figure 10


Installation

Step 7: Plug In the Washer

Electrical Requirements

(120 Volt, 60 Hertz with 3-Prong Grounding Plug)

NOTE: The wiring diagram is located in the control hood.

	WARNING
<p>To reduce the risk of fire, electric shock, serious injury or death, all wiring and grounding MUST conform with the latest edition of the National Electrical Code, ANSI/NFPA No. 70, and such local regulations as might apply. It is the customer's responsibility to have the wiring, fuses and circuit breakers installed by a qualified electrician to make sure adequate electrical power is available to the washer.</p>	
W518	

When plugging in the washer:

- DO NOT overload circuits.
- DO NOT use an extension cord.
- DO NOT use an adapter.
- DO NOT operate other appliances on the same circuit. Use separately fused 15 Amp circuits.

The washer is designed to be operated on a separate branch, polarized, three-wire, effectively grounded, 120 Volt, 60 Hertz, AC (alternating current), circuit protected by a **15 ampere fuse**, equivalent fusetron or circuit breaker.

The three-prong grounding plug on the power cord should be plugged directly into a polarized three-slot effectively grounded receptacle rated 110/120 Volts AC (alternating current) 15 Amps. Refer to *Figure 11* to determine correct polarity of the wall receptacle.

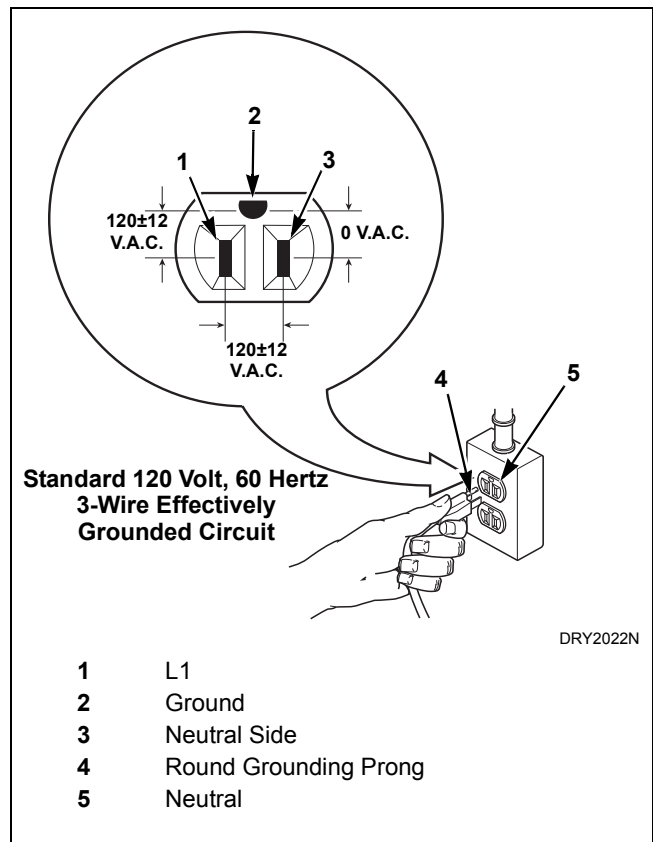




Figure 11

	WARNING
<p>To reduce the risk of an electric shock or fire, DO NOT use an extension cord or an adapter to connect the washer to the electric power source.</p>	
W082	

Grounding Instructions

The washer must be grounded. In the event of malfunction or breakdown, grounding will reduce the risk of electric shock by providing a path of least resistance for electric current.

The washer is equipped with a cord having an equipment-grounding conductor and a three-prong grounding plug. The plug must be plugged into an appropriate outlet that is properly installed and grounded in accordance with all local codes and ordinances.

	WARNING
<p>Improper connection of the equipment-grounding conductor can result in a risk of electric shock. Check with a qualified electrician or service person if you are in doubt as to whether the washer is properly grounded.</p>	
W327	

DO NOT modify the plug provided with the washer – if it will not fit the outlet, have a proper outlet installed by a qualified electrician.

NOTE: Have a qualified electrician check the polarity of the wall receptacle. If a voltage reading is measured other than that in *Figure 11*, the qualified electrician should correct the problem.

Step 8: Check Installation

Refer to *Installer Checklist* on the back cover of this manual and make sure that washer is installed correctly.

Run washer through one complete cycle to make sure it is operating properly.

Vending

Meter Case

The factory mounted coin meter case does not include the service door lock, coin drawer, coin drawer lock or keys. These parts must be ordered (at extra cost) according to the purchaser's requirements direct from the manufacturer of your choice.

NOTE: On models with standard capacity meter case and high capacity meter case models starting with Serial Nos. beginning 1010, you have the option of using a screw type lock or a 1/4 turn lock on the meter case service door. If you choose to use a screw lock, then the special bracket (located inside the meter case) must be used. **DO NOT** use the special bracket if a 1/4 turn lock is used. High capacity meter case models with Serial Nos. beginning 0910 through 1010 use 1/4 turn lock only.

Coin Drawer Security (Models with standard capacity meter case and high capacity meter case models starting with Serial Nos. beginning 1010 only) – For additional security, drill out the two pilot holes on each side of the front of the meter case to 1/4 or 5/16 inch (6.4 or 7.9 mm) holes and install a bicycle lock through these holes.

NOTE: An 8 in. (20.32 cm) coin drawer is required for models with standard capacity meter case and high capacity meter case models starting with Serial Nos. beginning 1010. High capacity meter case models with Serial Nos. beginning 0910 through 1010 require a 7.21 in. (18.31 cm) coin drawer.

Models Prepped for Card Reader

The machine is shipped from the factory with the Electronic Control Diagnostic Harness Assembly unplugged. To avoid unauthorized manual programming or vending, perform the following steps.

1. Open control panel. Refer to *Figure 12*.
2. Locate diagnostic harness on electronic control.
3. Plug connectors for “white/black” wire and “red/blue” wire together.

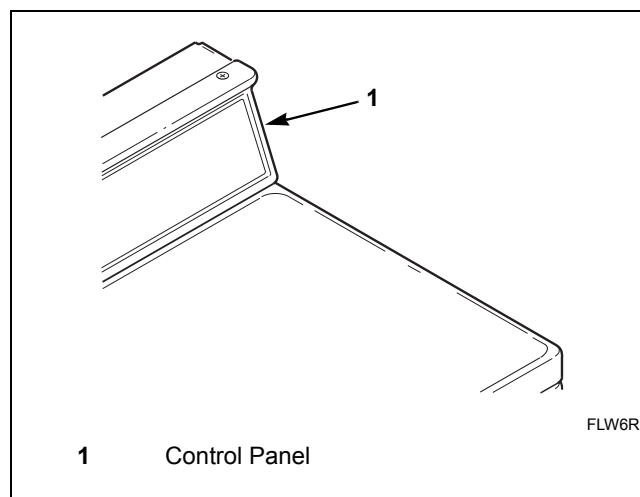


Figure 12

Operation

Operation Instructions

IMPORTANT: Prior to first wash, use an all-purpose cleaner, or a detergent and water solution, and a damp cloth to remove shipping dust from inside of washtub.

IMPORTANT: Remove all sharp objects from laundry to avoid tears and rips to items during normal machine operation.

Step 1: Load Laundry

Load items loosely into wash drum.

NOTE: Small items such as baby socks may get caught around the door. Place these articles inside a mesh garment bag.

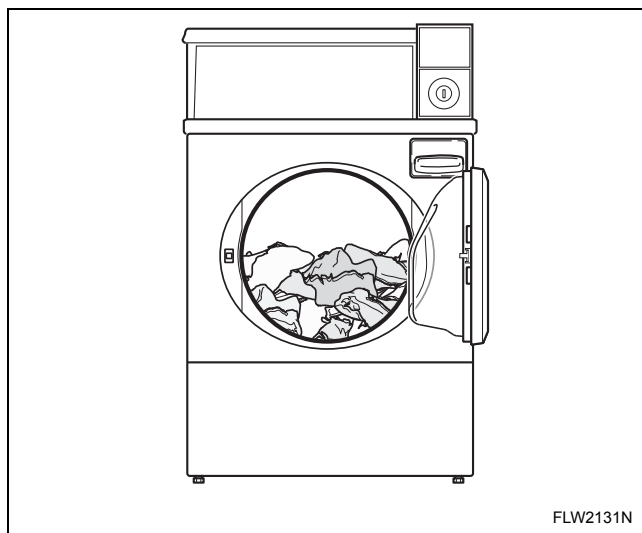


Figure 13

When washing bulky items such as blankets and comforters, use the DELICATES/BULKY cycle. The cycle includes agitation and final spin speeds that maintain the load's balance and minimize wear to the articles.

Step 2: Close Loading Door

Close loading door tightly. The washer will not operate with the loading door open.

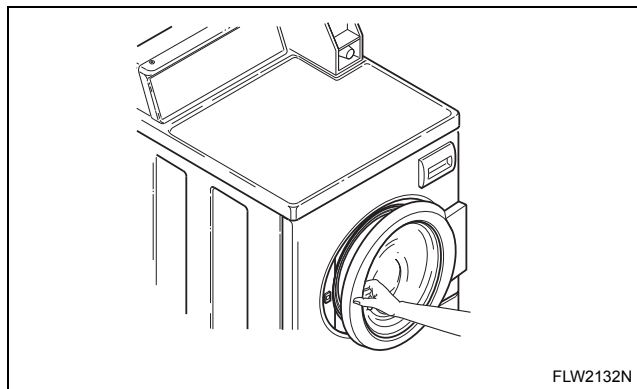


Figure 14

Step 3: Add Laundry Supplies

Open dispenser drawer. Measure and add low sudsing, high efficiency (HE) detergent (1), bleach (2) and fabric softener (3) to the dispenser drawer (refer to *Figure 15*). Close dispenser drawer.

IMPORTANT: If using non-HE detergent, avoid oversudsing by using 1/2 of the detergent manufacturer's recommended amount.

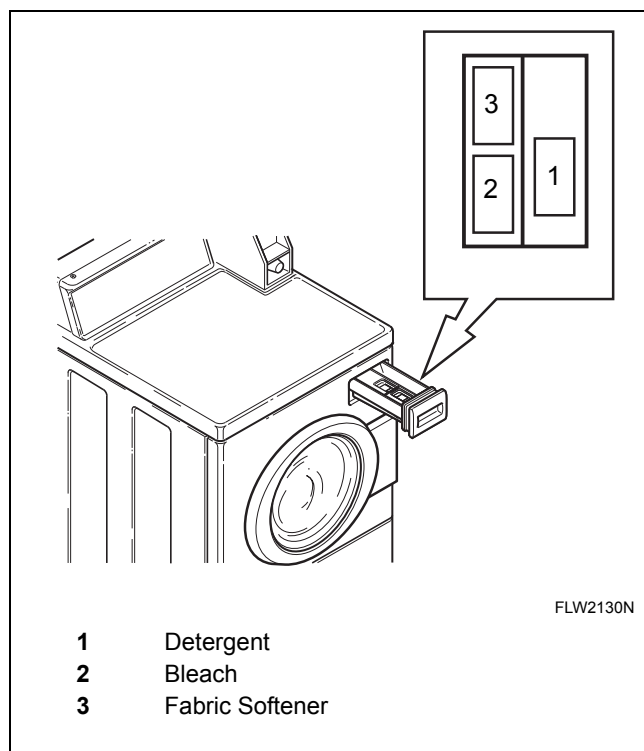


Figure 15

	CAUTION
<p>Dispenser drawer requires a special tool for removal. Contact a service person if removal is necessary.</p>	
W236	

Step 4: Set Fabric Selector

Push touchpad for **NORMAL**, **PERM PRESS** or **DELICATES/BULKY** cycle. Light indicates selection.

NOTE: Changes can be made to Fabric Selector setting up until the first fill is complete.

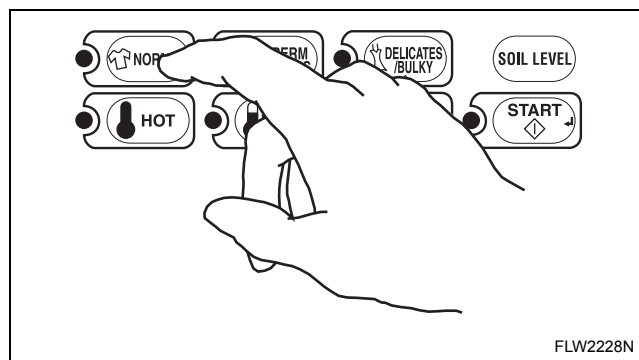


Figure 16

Step 5: Set Wash Temperature

Push touchpad for **HOT**, **WARM** or **COLD**. Light indicates selection.

NOTE: Always follow manufacturer's care labels.

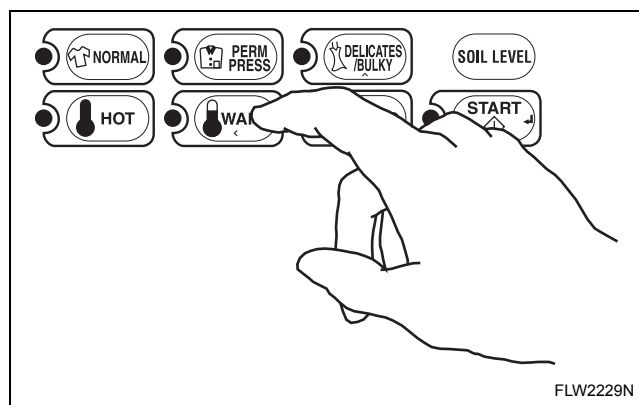


Figure 17

Operation

Step 6: Set Soil Level

Push Soil Level touchpad to select LIGHT, MEDIUM or HEAVY. Light indicates selection.

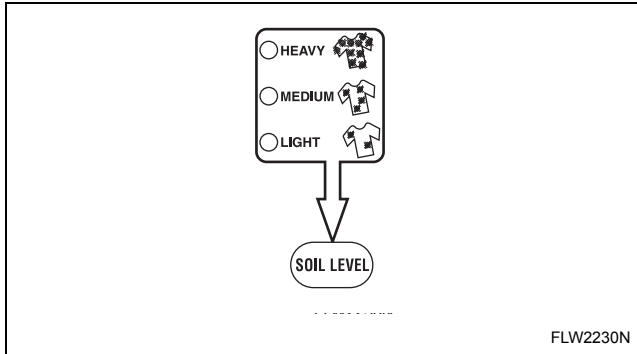


Figure 18

Step 7: Insert Coin(s) or Card

To Insert Money

Insert coin(s) in coin slot. Check pricing as seen on digital display.

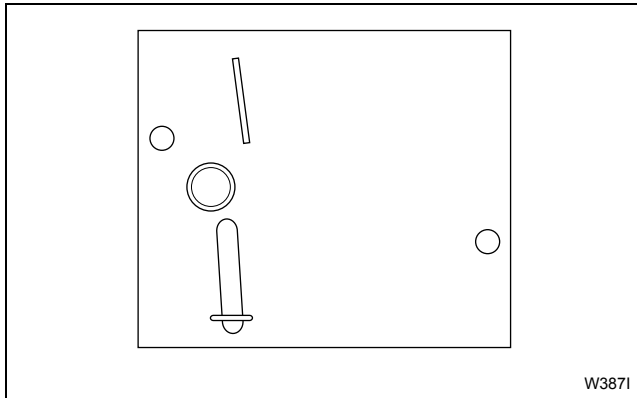


Figure 19

To Insert Card

Insert card into opening.



Figure 20

Step 8: Start Washer

After vend price has been satisfied, push the **START** pad. **DOOR MUST BE CLOSED TO START WASHER.**

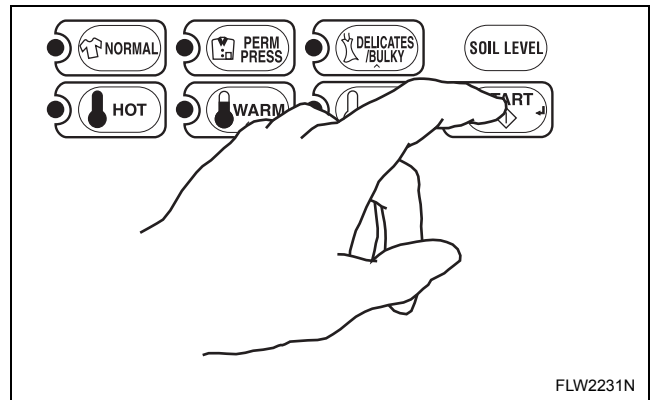


Figure 21

Indicator Lights

INSERT COINS/CARD

INSERT COINS/CARD is lit to prompt the user to insert coins or card to satisfy the vend price. When *INSERT COINS/CARD* is lit, the digits show the vend price remaining to be satisfied.

WASH

WASH is lit during the WASH portions of the cycle.

RINSE

RINSE is lit during the RINSE portions of the cycle.

SPIN

SPIN is lit during the final spin portion of the cycle.

DOOR

DOOR is lit whenever the door is locked. The door cannot be opened when this light is on.

LIGHT

LIGHT is lit when the LIGHT soil level is selected.

MEDIUM

MEDIUM is lit when the MEDIUM soil level is selected.

HEAVY


HEAVY is lit when the HEAVY soil level is selected.

START

START flashes one second on and one second off when the full vend price has been satisfied.

IMPORTANT: If washer fails to operate properly after installation, make sure electrical service and water supply faucets are turned on. Are all the controls properly set? Have a qualified service person refer to the wiring diagram (located inside of washer control cabinet) and check for broken, loose or incorrect wiring.

NOTE: Once a cycle has started, the door can only be opened by first unplugging the power cord and waiting one minute.

	WARNING
<p>To reduce the risk of bodily injury, do not remove laundry from washer until all lights are out, and all moving parts have stopped.</p>	
W092	

Maintenance

User-Maintenance Instructions

Lubrication

All moving parts are sealed in a permanent supply of lubricant or are equipped with oilless bearings. Additional lubrication will not be necessary.

Do not lubricate the door hinge. If the hinge makes noise, replace the hinge.

Cold Weather Care

If the washer is delivered on a cold day (below freezing), or is stored in an unheated room or area during the cold months, do not attempt to operate it until the washer has had a chance to warm up.

Care of Your Washer

Use only a damp or sudsy cloth for cleaning the control panel. Some cleaning product sprays may harm the finish on the control panel or damage the interior of the hood.

Wipe the washer cabinet as needed. If detergent, bleach or other washing products are spilled on the cabinet, wipe immediately. Some products will cause permanent damage if spilled on the cabinet.

Do not use scouring pads or abrasive cleansers.

The wash drum will need no particular care although it may need rinsing or wiping after an unusual load has been washed.

The outside of the door window can be cleaned with household window cleaner.

Running an occasional rinse cycle with bleach will help to avoid a musty smell in the wash drum.

Cleaning Glass Sealing Area

In order to assure that the door properly seals against water leaks, the following surfaces should be wiped off periodically:

- The outside perimeter of the door glass where the seal contacts the glass
- The front surface of the door seal lip

Usually a mild soap solution will work. If there is an extreme build-up of minerals from a hard water supply, the surfaces may need to be cleaned with a lime removal chemical.

Replacing Hoses

Hoses and other natural rubber parts deteriorate after extended use. Hoses may develop cracks, blisters or material wear from the temperature and constant high pressure they are subjected to.

All hoses should be checked on a monthly basis for any visible signs of deterioration. Any hose showing the signs of deterioration listed above should be replaced immediately. All hoses should be replaced every five years.

Filter Screens

Check the filter screens in the fill hoses for debris or damage annually. Clean or replace them if necessary.

If the washer is filling with water slower than normal, check the filter screens. Clean or replace them if necessary.

Order filter screen Part No. F270300 from the nearest authorized parts distributor.

Vacations and Extended Non-Use

IMPORTANT: To avoid possible property damage due to flooding, turn off the water supply to the washer whenever there will be an extended period of non-use.

Leave the loading door open during extended periods of non-use to allow the wash drum to dry out and avoid a musty smell.

Reinstallation of Shipping Materials

To prevent damage while moving the washer, the shipping materials **MUST** be reinstalled.

- Disconnect washer from electrical supply.
- While supporting the front access panel, remove two screws from the bottom edge of the panel.
- Gently lower the panel to remove it from the washer.
- Place the shock sleeves on all four shock absorbers. Refer to *Figure 22*.
- Insert hooked end of shipping brace into the open slot of the motor mount. Refer to *Figure 22*.
- Attach the brace with the five bolts and washers. Refer to *Figure 22*.
- Reinstall front access panel.

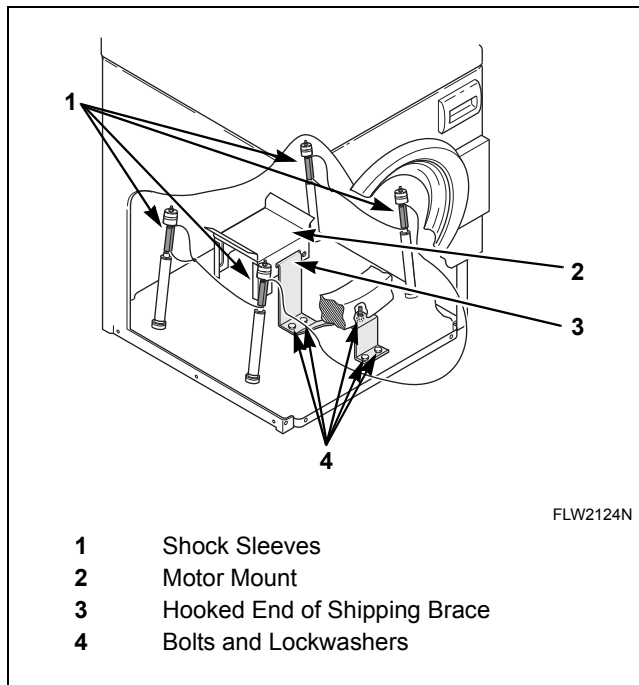


Figure 22

Refer to **Installation** section, *Step 5* for proper procedures whenever the washer is moved.

Cleaning Foreign Object Trap

The washer's pump has a trap that may collect foreign objects. The trap may need to be cleaned if water is draining slower than usual. To clean:

- Disconnect washer from electrical supply.
- While supporting the front access panel, remove two screws from the bottom edge of the panel.
- Gently lower the panel to remove it from the washer.

NOTE: The pump may have some water in it. Use a rag or a container to catch water. If the wash drum is full of water, use a wet/dry shop vacuum to catch the water.

- With rag or vacuum ready, unscrew the cap on the left side of the pump and remove trap.
- Clean the debris from the trap.
- Reinstall the trap and access panel.
- Reconnect washer to electrical supply.

Troubleshooting

Try these troubleshooting tips before making a service call. They may save time and money.

Washer Symptom	Possible Cause/Solution
Won't Fill	<ul style="list-style-type: none"> • Make sure power cord is plugged all the way into the electrical outlet. • Make sure hot and cold water faucets are turned on. • Make sure that the fill hoses are not kinked or twisted. • Press START keypad. • Make sure that the controls are properly set. • Make sure that the loading door is closed tightly. • Check the laundry room fuse or circuit breaker. • Clean the screens in the water mixing valve and the filter screens located at the faucet end of the fill hoses.
Won't Start	<ul style="list-style-type: none"> • Make sure loading door is closed tightly. • Press START keypad. • Make sure power cord is plugged all the way into the electrical outlet. • Check the laundry room fuse or circuit breaker. • Insert coin(s) or card. • Make sure door latch is properly adjusted relative to door lock.
Won't Spin/Tumble	<ul style="list-style-type: none"> • Make sure loading door is closed tightly. • Press START keypad. • Make sure power cord is plugged all the way into the electrical outlet. • Make sure controls are properly set. • Check the laundry room fuse or circuit breaker. • Broken drive belt. Call the service person. • Foreign object trap in pump may be clogged. Clean the trap. Refer to <i>Maintenance</i> section.
Stops/Pauses During Cycle	<ul style="list-style-type: none"> • Pauses are part of the washer's normal operation. • Wash load may be unbalanced. Washer will stop and then restart spin automatically. • Check the laundry room fuse or circuit breaker.
Won't Drain	<ul style="list-style-type: none"> • Make sure drain hose is not kinked or twisted. • Make sure drain hose is not clogged. • Make sure drain receptacle is not clogged. • Refer to the <i>Installation</i> section to make sure that the drain hose has been properly installed. • Foreign object trap in pump may be clogged. Clean the trap. Refer to <i>Maintenance</i> section.
Water Leaks	<ul style="list-style-type: none"> • Check that fill hoses are properly installed on the faucets and the washer's water mixing valve. • Check the condition of the fill hoses. Replace fill hoses every five years. • Check the condition of the rubber door gasket for tears or holes. • Make sure drain receptacle is not clogged. • Check building plumbing. • Laundry load may be oversudsing or overloaded. Make sure you are using low-sudsing, high efficiency (HE) detergent and proper load sizes. • Make sure outside perimeter of the door glass where seal contacts glass is clean.
Too Many Soap Suds	<ul style="list-style-type: none"> • Laundry load may be oversudsing. Make sure you are using low sudsing, high efficiency (HE) detergent. • Make sure you are using the amount of detergent recommended on the detergent's label. If using non-HE detergent, use only 1/2 of the detergent manufacturer's recommended amount. • Laundry load may be overloaded. Make sure you are using proper load sizes.

Washer Symptom	Possible Cause/Solution
Vibrates/Moves Slightly	<ul style="list-style-type: none"> • Make sure washer is level. Uneven leveling can cause vibration. • Make sure washer is installed on a solid, sturdy and level floor. The washer should not be installed on carpeting, soft tile, a platform or other weakly supported structures. • Make sure rubber feet are installed on all four leveling legs. Refer to <i>Installation</i> section, Step 5.
Is Noisy	<ul style="list-style-type: none"> • Make sure washer is level. Uneven leveling can cause vibration. • Some sounds may be a part of normal operation for a frontload washer.
Load is too Wet	<ul style="list-style-type: none"> • Wash load may be unbalanced. The washer may have limited the spin speed to prevent damage to the machine. Redistribute the load. • Load is too small. Add items to make full load.
Wrong Water Temperature	<ul style="list-style-type: none"> • Make sure that the controls are properly set. • Check fill hoses. Make sure hot faucet hose is connected to hot mixing valve (indicated with “H” on the valve bracket) and cold faucet is connected to cold mixing valve (indicated with “C” on the valve bracket). • Make sure laundry room water heater is adjusted properly.

Contact Information

If service is required, contact the nearest Factory Authorized Service Center.

If you are unable to locate an authorized service center or are unsatisfied with the service performed on your unit, contact:

Alliance Laundry Systems
Shepard Street
P.O. Box 990
Ripon, WI 54971-0990
U.S.A.
www.comlaundry.com
Phone: (920) 748-3121

When calling or writing about your unit, PLEASE GIVE THE MODEL AND SERIAL NUMBERS. The model and serial numbers are located on the nameplate. The nameplate will be in the location shown in *Figure 23*.

Date Purchased _____

Model Number _____

Serial Number _____

Please include a copy of your bill of sale and any service receipts you have.

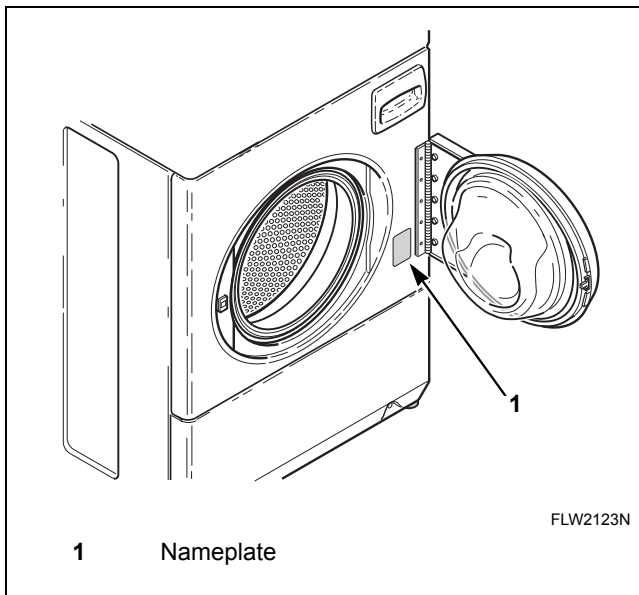


Figure 23

	WARNING
<p>To reduce the risk of serious injury or death, DO NOT repair or replace any part of the unit or attempt any servicing unless specifically recommended in the user-maintenance instructions or in published user-repair instructions that you understand and have the skills to carry out.</p>	
<small>W329</small>	


If replacement parts are required, contact the source from where you purchased your washer or call (920) 748-3950 for the name and address of the nearest authorized parts distributor.

Installer Checklist

Fast Track for Installing the Washer

(Refer to the manual for more detailed information)

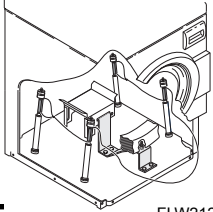
1 • Position Washer Near Installation Area.



CHECK

H135IE0A

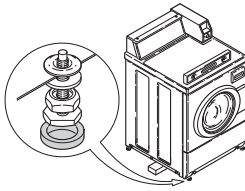
5 • Remove the Shock Sleeves and Shipping Brace.



CHECK

FLW2124N

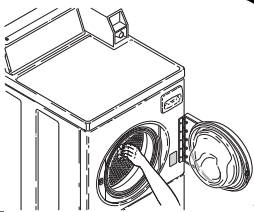
2 • Position and Level the Washer.



CHECK

TLW2125N

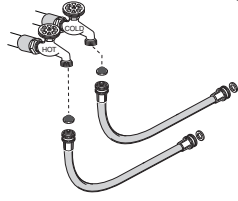
6 • Wipe Out Inside of Wash Drum.



CHECK

FLW2126N

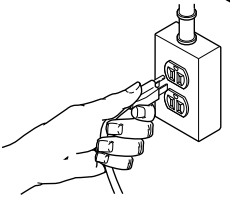
3 • Connect Fill Hoses.



CHECK

TLW1976N

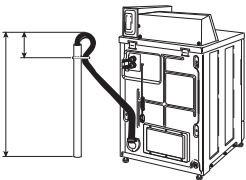
7 • Plug In the Washer



CHECK

D254IE0A

4 • Connect Drain Hose to Drain Receptacle.



CHECK

FLW1979N