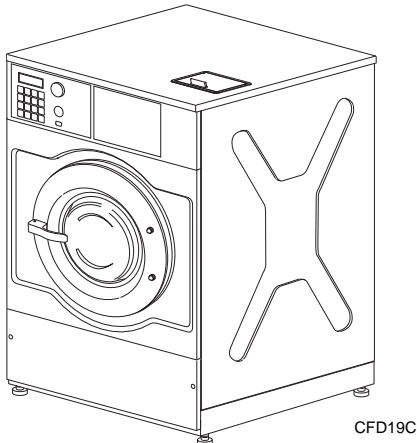


Washer-Extractors

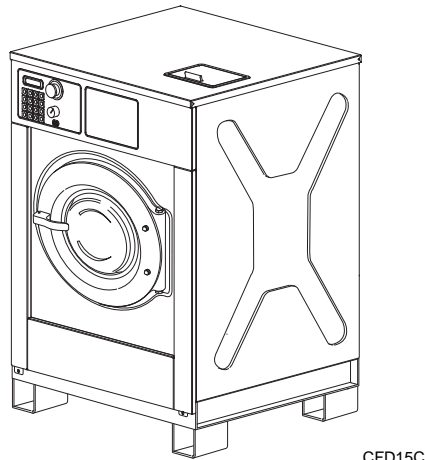
Cabinet Freestanding

Refer to *Page 6* for Model Identification

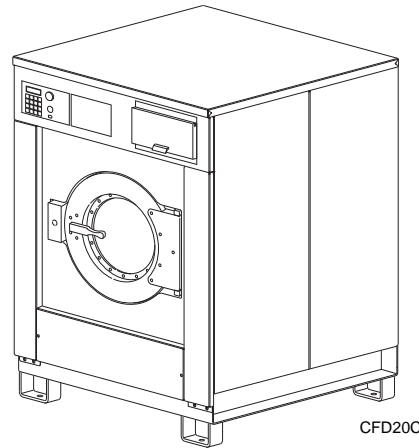
Installation



18, 25 and 35 Models



33, 40, 55 and 75 Models



100, 135, 165 and 200 Models

Keep These Instructions for Future Reference.

(If this machine changes ownership, this manual must accompany machine.)



www.comlaundry.com

Part No. 9001000R13
July 2010

Table of Contents

Safety Information	2
Explanation of Safety Messages.....	2
Important Safety Instructions	2
Safety Decals	4
Operator Safety	5
Introduction	6
Model Identification	6
Nameplate Location.....	8
Replacement Parts	8
Customer Service.....	8
Specifications and Dimensions	10
Installation	25
Dimensional Clearances.....	25
Machine Foundation	26
Mechanical Installation.....	27
Frame Dimensions and Mounting Bolt Location.....	27
Mounting Bolt Installation (If Required).....	41
Removing the Transport Brackets	42
Drain Connection.....	44
Water Connection	46
Electrical Installation	47
Electrical Connection.....	50
Remote Liquid Supply Connection	50
Chemical Injection Supply System.....	50
Steam Requirements (Steam Heat Option Only).....	51
Supply Programming Table	52
Supply Relay Configuration (No Wiring).....	52
Primary 220 Volt Remote Liquid Supply Connection.....	52
Out-of-Balance Switch	54
Automatic Lubricator.....	54
Control Function Test.....	55


© Copyright 2010, Alliance Laundry Systems LLC


All rights reserved. No part of the contents of this book may be reproduced or transmitted in any form or by any means without the expressed written consent of the publisher.


Safety Information

Explanation of Safety Messages

Precautionary statements (“DANGER,” “WARNING,” and “CAUTION”), followed by specific instructions, are found in this manual and on machine decals. These precautions are intended for the personal safety of the operator, user, servicer, and those maintaining the machine.

	DANGER
DANGER indicates the presence of a hazard that will cause severe personal injury, death, or substantial property damage if the danger is ignored.	

	WARNING
WARNING indicates the presence of a hazard that can cause severe personal injury, death, or substantial property damage if the warning is ignored.	


	CAUTION
CAUTION indicates the presence of a hazard that will or can cause minor personal injury or property damage if the caution is ignored.	

Additional precautionary statements (“IMPORTANT” and “NOTE”) are followed by specific instructions.

IMPORTANT: The word “IMPORTANT” is used to inform the reader of specific procedures where minor machine damage will occur if the procedure is not followed.

NOTE: The word “NOTE” is used to communicate installation, operation, maintenance or servicing information that is important but not hazard related.

Important Safety Instructions


	WARNING
To reduce the risk of fire, electric shock, serious injury or death to persons when using your washer, follow these basic precautions:	
W023	

1. Read all instructions before using the washer.
2. Refer to the GROUNDING INSTRUCTIONS in the INSTALLATION manual for the proper grounding of the washer.
3. Do not wash textiles that have been previously cleaned in, washed in, soaked in, or spotted with gasoline, kerosene, waxes, cooking oils, dry-cleaning solvents, or other flammable or explosive substances as they give off vapors that could ignite or explode.
4. Do not add gasoline, dry-cleaning solvents, or other flammable or explosive substances to the wash water. These substances give off vapors that could ignite or explode.
5. Under certain conditions, hydrogen gas may be produced in a hot water system that has not been used for two weeks or more. HYDROGEN GAS IS EXPLOSIVE. If the hot water system has not been used for such a period, before using a washing machine or combination washer-dryer, turn on all hot water faucets and let the water flow from each for several minutes. This will release any accumulated hydrogen gas. The gas is flammable, do not smoke or use an open flame during this time.
6. Do not allow children to play on or in the washer. Close supervision of children is necessary when the washer is used near children. This is a safety rule for all appliances.
7. Before the washer is removed from service or discarded, remove the door to the washing compartment.
8. Do not reach into the washer if the wash drum is moving.


9. Do not install or store the washer where it will be exposed to water and/or weather.
10. Do not tamper with the controls.
11. Do not repair or replace any part of the washer, or attempt any servicing unless specifically recommended in the user-maintenance instructions or in published user-repair instructions that the user understands and has the skills to carry out.
12. To reduce the risk of an electric shock or fire, DO NOT use an extension cord or an adapter to connect the washer to the electrical power source.
13. Use washer only for its intended purpose, washing textiles.
14. Never wash machine parts or automotive parts in the machine. This could result in serious damage to the basket.
15. ALWAYS disconnect the washer from electrical supply before attempting any service. Disconnect the power cord by grasping the plug, not the cord.
16. Install the washer according to the INSTALLATION INSTRUCTIONS. All connections for water, drain, electrical power and grounding must comply with local codes and be made by licensed personnel when required.
17. To reduce the risk of fire, textiles which have traces of any flammable substances such as vegetable oil, cooking oil, machine oil, flammable chemicals, thinner, etc., or anything containing wax or chemicals such as in mops and cleaning cloths, must not be put into the washer. These flammable substances may cause the fabric to catch on fire by itself.
18. Do not use fabric softeners or products to eliminate static unless recommended by the manufacturer of the fabric softener or product.
19. Keep washer in good condition. Bumping or dropping the washer can damage safety features. If this occurs, have washer checked by a qualified service person.
20. If the supply cord is damaged, it must be replaced by a special cord or assembly available from the manufacturer or its service agent.
21. Be sure water connections have a shut-off valve and that fill hose connections are tight. CLOSE the shut-off valves at the end of each wash day.
22. Loading door MUST BE CLOSED any time the washer is to fill, tumble or spin. DO NOT bypass the loading door switch by permitting the washer to operate with the loading door open.
23. Always read and follow manufacturer's instructions on packages of laundry and cleaning aids. Heed all warnings or precautions. To reduce the risk of poisoning or chemical burns, keep them out of the reach of children at all times (preferably in a locked cabinet).
24. Always follow the fabric care instructions supplied by the textile manufacturer.
25. Never operate the washer with any guards and/or panels removed.
26. DO NOT operate the washer with missing or broken parts.
27. DO NOT bypass any safety devices.
28. Failure to install, maintain, and/or operate this washer according to the manufacturer's instructions may result in conditions which can produce bodily injury and/or property damage.


NOTE: The WARNINGS and IMPORTANT SAFETY INSTRUCTIONS appearing in this manual are not meant to cover all possible conditions and situations that may occur. Common sense, caution and care must be exercised when installing, maintaining, or operating the washer.


Any problems or conditions not understood should be reported to the dealer, distributor, service agent or the manufacturer.

	WARNING
<p>This machine must be installed, adjusted, and serviced by qualified electrical maintenance personnel familiar with the construction and operation of this type of machinery. They must also be familiar with the potential hazards involved. Failure to observe this warning may result in personal injury and/or equipment damage, and may void the warranty.</p>	
<small>SW004</small>	

IMPORTANT: Ensure that the recommended clearances for inspection and maintenance are provided. Never allow the inspection and maintenance space to be blocked.

	WARNING
<p>Install the machine on a level floor of sufficient strength. Failure to do so may result in conditions which can produce serious injury, death and/or property damage.</p>	
<small>W703</small>	

	CAUTION
<p>Be careful around the open door, particularly when loading from a level below the door. Impact with door edges can cause personal injury.</p>	
<small>SW025</small>	

	WARNING
<p>Never touch internal or external steam pipes, connections, or components. These surfaces can be extremely hot and will cause severe burns. The steam must be turned off and the pipe, connections, and components allowed to cool before the pipe can be touched.</p>	
<small>SW014</small>	

Safety Decals

Safety decals appear at crucial locations on the machine. Failure to maintain legible safety decals could result in injury to the operator or service technician.

To provide personal safety and keep the machine in proper working order, follow all maintenance and safety procedures presented in this manual. If questions regarding safety arise, contact the manufacturer immediately.

Use manufacturer-authorized spare parts to avoid safety hazards.

Operator Safety


	WARNING
<p>NEVER insert hands or objects into basket until it has completely stopped. Doing so could result in serious injury.</p> <p style="text-align: right;"><small>SW012</small></p>	

To ensure the safety of machine operators, the following maintenance checks must be performed daily:

1. Prior to operating the machine, verify that all warning signs are present and legible. Missing or illegible signs must be replaced immediately. Make certain that spares are available.
2. Check door interlock before starting operation of the machine:
 - a. Attempt to start the machine with the door open. The machine should not start with the door open.
 - b. Close the door without locking it and attempt to start the machine. The machine should not start with the door unlocked.
 - c. Close and lock the door and start a cycle. Attempt to open the door while the cycle is in progress. The door should not open.

If the door lock and interlock are not functioning properly, call a service technician.
3. Do not attempt to operate the machine if any of the following conditions are present:
 - a. The door does not remain securely locked during the entire cycle.
 - b. Excessively high water level is evident.
 - c. Machine is not connected to a properly grounded circuit.

Do not bypass any safety devices in the machine.

	WARNING
<p>Never operate the machine with a bypassed or disconnected balance system. Operating the machine with severe out-of-balance loads could result in personal injury and serious equipment damage.</p> <p style="text-align: right;"><small>SW039</small></p>	

Introduction

Model Identification

Information in this manual is applicable to these models:

18	HX18PVQM6 HX18PVQM7 HX18PVXM6 HX18PVXM7	SX18PVPA7 SX18PVQM6 SX18PVQM7 SX18PVXM6 SX18PVXM7	UX18PVNA6 UX18PVNA7 UX18PVPA6 UX18PVPA7 UX18PVQA6 UX18PVQA7 UX18PVQM6 UX18PVQM7 UX18PVXA6 UX18PVXA7 UX18PVXM6 UX18PVXM7	HX18PVQU6 HX18PVXU6	SX18PVQU6 SX18PVXU6	UX18PVNU6 UX18PVPU6 UX18PVQU6 UX18PVXU6
25	HX25PVQM6 HX25PVQM7 HX25PVXM6 HX25PVXM7	SX25PVQM6 SX25PVQM7 SX25PVXM6 SX25PVXM7	UX25PVNA6 UX25PVNA7 UX25PVPA6 UX25PVPA7 UX25PVQA6 UX25PVQA7 UX25PVQM6 UX25PVQM7 UX25PVXA6 UX25PVXA7 UX25PVXM6 UX25PVXM7	HX25PVQU6 HX25PVXU6	SX25PVQU6 SX25PVXU6	UX25PVNU6 UX25PVPU6 UX25PVQU6 UX25PVXU6
33						UX33PVNA7 UX33PVPA7 UX33PVQA7 UX33PVQM7 UX33PVXA7 UX33PVXM7
35	HX35PVQM6 HX35PVQM7 HX35PVXM6 HX35PVXM7	SX35PVQM6 SX35PVQM7 SX35PVXM6 SX35PVXM7 SX35PVNM7	UX35PVNA6 UX35PVNA7 UX35PVPA6 UX35PVPA7 UX35PVQA6 UX35PVQA7 UX35PVQM6 UX35PVQM7 UX35PVXA6 UX35PVXA7 UX35PVXM6 UX35PVXM7	HX35PVQU6 HX35PVXU6	SX35PVQU6 SX35PVXU6	UX35PVNU6 UX35PVPU6 UX35PVQU6 UX35PVXU6

continued

continued

40						UX40PVNA7 UX40PVPA7 UX40PVQA7 UX40PVQM7 UX40PVXA7 UX40PVXM7
55				HX55PVNU6 HX55PVNU7 HX55PVQU6 HX55PVQU7 HX55PVXU6 HX55PVXU7	SX55PVNU6 SX55PVNU7 SX55PVPU6 SX55PVPU7 SX55PVQU6 SX55PVQU7 SX55PVXU6 SX55PVXU7	UX55PVNU6 UX55PVNU7 UX55PVPU6 UX55PVPU7 UX55PVQU6 UX55PVQU7 UX55PVXU6 UX55PVXU7
75				HX75PVNU6 HX75PVNU7 HX75PVPU7 HX75PVQU6 HX75PVQU7	SX75PVNU6 SX75PVNU7 SX75PVPU7 SX75PVQU6 SX75PVQU7	UX75PVNU6 UX75PVNU7 UX75PVPU6 UX75PVPU7 UX75PVQU6 UX75PVQU7
100				HX100PVNU6 HX100PVNU7 HX100PVPU7 HX100PVQU6 HX100PVQU7	SX100PVNU6 SX100PVNU7 SX100PVPU7 SX100PVQU6 SX100PVQU7	UX100PVNU6 UX100PVNU7 UX100PVPU6 UX100PVPU7 UX100PVQU6 UX100PVQU7
135				HX135PVNU6 HX135PVNU7 HX135PVPU7 HX135PVQU6 HX135PVQU7	SX135PVNU6 SX135PVNU7 SX135PVPU7 SX135PVQU6 SX135PVQU7	UX135PVNU6 UX135PVNU7 UX135PVPU6 UX135PVPU7 UX135PVQU6 UX135PVQU7
165				HX165PVNU6 HX165PVNU7 HX165PVPU7 HX165PVQU6 HX165PVQU7	SX165PVNU6 SX165PVNU7 SX165PVPU7 SX165PVQU6 SX165PVQU7	UX165PVNU6 UX165PVNU7 UX165PVPU6 UX165PVPU7 UX165PVQU6 UX165PVQU7
200				HX200PVNU7 HX200PVPU7 HX200PVQU7	SX200PVNU7 SX200PVPU7 SX200PVQU7	UX200PVNU7 UX200PVPU7 UX200PVQU7

Introduction

Nameplate Location

The nameplate is located at the rear of the machine. Always provide the machine's serial number and model number when ordering parts or when seeking technical assistance.

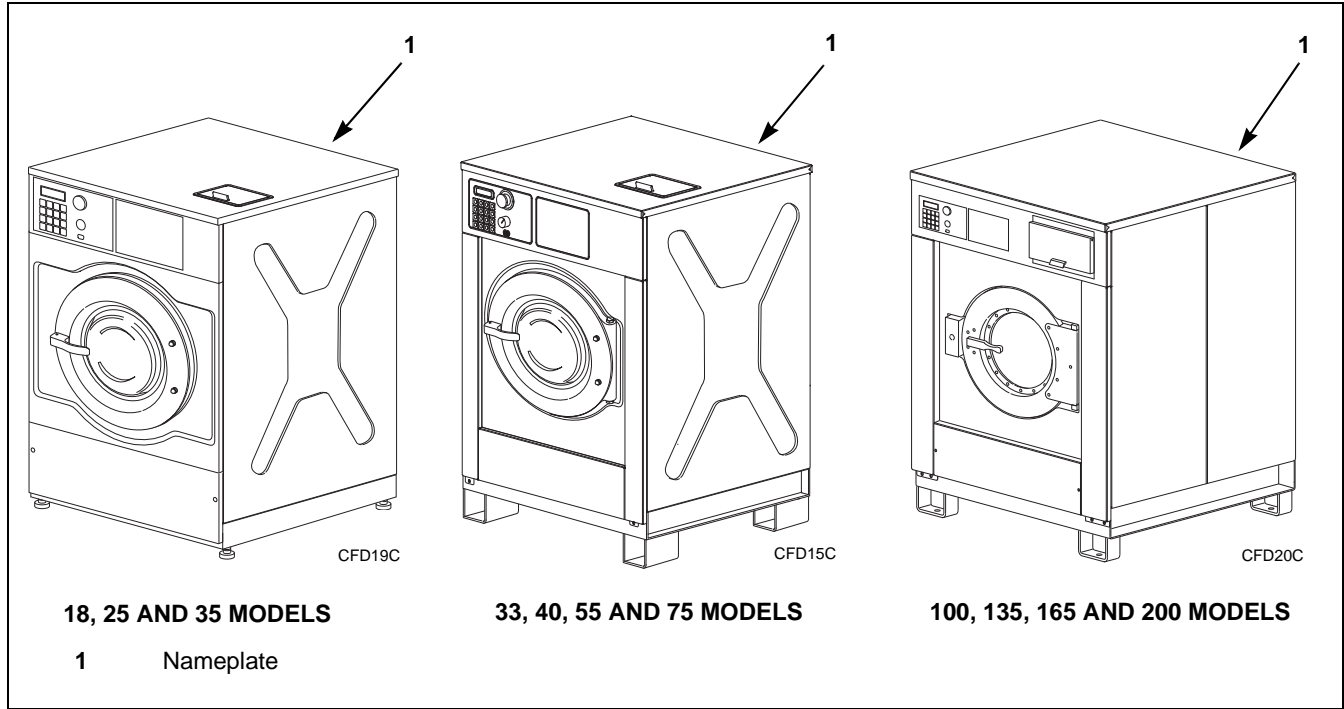


Figure 1

Replacement Parts

If literature or replacement parts are required, contact the source from which the machine was purchased or contact Alliance Laundry Systems at (920) 748-3950 for the name and address of the nearest authorized parts distributor.

Customer Service

For technical assistance, call (920) 748-3121.

Model Number Familiarization Guide	
Sample Model Number: *X55PVXM60001	
*X	Model Number Prefix
55	Washer-Extractor Capacity (pounds dry weight of laundry)
P	Type of Electrical Control (P = WE-6 Computer)
V	Washer-Extractor Speed Capabilities
X	Electrical Characteristics
M6	Design Series
0001	Option Identification (varies from machine to machine)

* Denotes Brand

Model No.	*X55PVXM60001				
Serial No.	0000000000				
Voltage	200-240/50-60/1-3	Amps	12		
Required Circuit Breaker	Amps		15		
Hz	50-60	Wire	2/3+PE	Phase	1/3
Max. Load	55 LB	25 KG	Max. Speed	1000	RPM
Elec. Heating		KW	Steam Press.	PSI	BAR

EXAMPLE OF NAMEPLATE

CFD29N

Figure 2

Specifications and Dimensions

General Specifications					
Model	18	25	33	35	40
Overall Dimensions					
Overall width	26 in. (660 mm)	26 in. (660 mm)	30.71 in. (780 mm)	30.8 in. (783 mm)	30.71 in. (780 mm)
Overall height	40.6 in. (1031 mm)	40.6 in. (1031 mm)	54.15 in. (1376 mm)	47 in. (1194 mm)	54.15 in. (1376 mm)
Overall depth	30.7 in. (780 mm)	34.3 in. (870 mm)	33.07 in. (840 mm)	37.8 in. (960 mm)	37.01 in. (940 mm)
Weight and Shipping Information					
Net weight †	465 lb. (211Kg)	520 lb. (236 Kg)	811.30 lb. (368 Kg)	789 lb. (358 Kg)	862.01 lb. (391 Kg)
Net weight ††	520 lb. (236 kg)	531 lb. (241 kg)	N/A	765 lb. (347 kg)	N/A
Shipping weight †	514 lb. (233 Kg)	569 lb. (258 Kg)	844.37 lb. (383 Kg)	855 lb. (388 Kg)	921.53 lb. (418 Kg)
Shipping weight ††	624 lb. (283 kg)	639.5 lb. (290 kg)	N/A	1030 lb. (467 kg)	N/A
Shipping volume	22.5 ft ³ (0.8 m ³)	24.5 ft ³ (0.9 m ³)	42.83 ft ³ (1.21 m ³)	34.7 ft ³ (1.3 m ³)	45.98 ft ³ (1.3 m ³)
Wash Cylinder Information					
Cylinder diameter	20.9 in. (530 mm)	20.9 in. (530 mm)	26.77 in. (680 mm)	25.6 in. (650 mm)	26.77 in. (680 mm)
Cylinder depth	13.6 in. (345 mm)	17.3 in. (440 mm)	15.75 in. (400 mm)	19.7 in. (500 mm)	19.69 in. (500 mm)
Cylinder volume	2.7 ft ³ (76 l)	3.43 ft ³ (97 l)	5.12 ft ³ (145 l)	5.9 ft ³ (167 l)	6.39 ft ³ (181 l)
Perforation size	0.1 in. (3 mm)	0.1 in. (3 mm)	0.1 in. (3 mm)	0.1 in. (3 mm)	0.1 in. (3 mm)
Door Opening Information					
Door opening size	11.8 in. (300 mm)	11.8 in. (300 mm)	15.75 in. (400 mm)	11.8 in. (300 mm)	15.75 in. (400 mm)
Height of door bottom above floor	11 in. (279 mm)	11 in. (279 mm)	18.58 in. (472 mm)	15.6 in. (395 mm)	18.58 in. (472 mm)

† For Models with A or M in the 8th position in the model number (e.g. *X18PVXA6)

†† For Models with U in the 8th position in the model number (e.g. *X18PVXU6)

General Specifications					
Model	18	25	33	35	40
Drive Train Information					
Number of motors in drive train	1	1	1	1	1
Drive motor power	1 HP (0.75 kW)	1 HP (0.75 kW)	2.95 HP (2.2 kW)	2 HP (1.5 kW)	2.95 HP (2.2 kW)
Cylinder Speeds					
Wash/reverse speed	10-50 RPM	10-50 RPM	10-50 RPM	10-50 RPM	10-50 RPM
Distribution/drain speed	82 RPM	82 RPM	85 RPM	74 RPM	85 RPM
Extract speed	250-1000 RPM	250-1000 RPM	250-1000 RPM	250-1000 RPM	250-1000 RPM
Centrifugal Force Data					
Wash/reverse centrifugal force	0.03-0.74 Gs	0.03-0.74 Gs	0.37-0.94 Gs	0.04-0.91 Gs	0.37-0.94 Gs
Extract centrifugal force	19-296 Gs	19-296 Gs	24-377 Gs	23-363 Gs	24-377 Gs
Balance Detection					
Vibration safety switch installed	Standard	Standard	Standard	Standard	Standard
Direct Steam Heating (Optional)					
Steam inlet connection size	0.38 in. (10 mm)	0.38 in. (10 mm)	.375 in. (10 mm)	0.38 in. (10 mm)	.375 in. (10 mm)
Number of steam inlets	1	1	1	1	1
Electrical Heating (Optional)					
Total electrical heating capacity	9 kW	9 kW	18 kW	18 kW	18 kW
Electrical heating elements	3	3	6	6	6
Electrical heat element size	3 kW	3 kW	3 kW	3 kW	3kW

Specifications and Dimensions

General Specifications						
Model	55	75	100	135	165	200
Overall Dimensions						
Overall width	35.4 in. (900 mm)	41.8 in. (1060 mm)	47.3 in. (1200 mm)	47.3 in. (1200 mm)	51.8 in. (1300 mm)	51.8 in. (1300 mm)
Overall height	60.8 in. (1544 mm)	61.4 in. (1560 mm)	75.6 in. (1920 mm)	75.6 in. (1920 mm)	82.7 in. (2100 mm)	82.68 in. (2100 mm)
Overall depth	40 in. (1016 mm)	46 in. (1168 mm)	52.4 in. (1330 mm)	59.1 in. (1500 mm)	63.8 in. (1620 mm)	71.18 in. (1808 mm)
Weight and Shipping Information						
Net weight	1247 lb. (570 kg)	1907 lb. (865 kg)	3351 lb. (1520 kg)	3626 lb. (1645 kg)	4630 lb. (2100 kg)	6393.41 lb. (2900 kg)
Shipping weight	1380 lb. (630 kg)	2194 lb. (995 kg)	3741 lb. (1697 kg)	4017 lb. (1822 kg)	5113 lb. (2319 kg)	6613.86 lb. (3000 kg)
Shipping volume	54.9 ft ³ (1.5 m ³)	74 ft ³ (2.1 m ³)	115 ft ³ (3.3 m ³)	131 ft ³ (3.7 m ³)	162 ft ³ (4.4 m ³)	217.89 ft ³ (6.17 m ³)
Wash Cylinder Information						
Cylinder diameter	29.5 in. (750 mm)	33.5 in. (850 mm)	38.6 in. (980 mm)	38.6 in. (980 mm)	43.1 in. (1095 mm)	43.11 in. (1095 mm)
Cylinder depth	20.9 in. (530 mm)	21.1 in. (537 mm)	23.5 in. (597 mm)	30.5 in. (775 mm)	30.5 in. (775 mm)	37.68 in. (957 mm)
Cylinder volume	8.27 ft ³ (234 l)	10.76 ft ³ (305 l)	15.92 ft ³ (451 l)	20.66 ft ³ (585 l)	25.8 ft ³ (730 l)	31.748 ft ³ (900 l)
Perforation size	0.1 in. (3 mm)	0.1 in. (3 mm)	0.1 in. (3 mm)	0.1 in. (3 mm)	0.1 in. (3 mm)	0.1 in. (3 mm)
Door Opening Information						
Door opening size	15.6 in. (395 mm)	15.6 in. (395 mm)	19.7 in. (500 mm)	19.7 in. (500 mm)	24.5 in. (622 mm)	24.5 in. (622 mm)
Height of door bottom above floor	22 in. (559 mm)	22 in. (559 mm)	25.5 in. (648 mm)	25.5 in. (648 mm)	28 in. (710 mm)	23.74 in. (603 mm)

General Specifications						
Model	55	75	100	135	165	200
Drive Train Information						
Number of motors in drive train	1	1	1	1	1	1
Drive motor power	4 HP (3 kW)	5.4 HP (4 kW)	7.4 HP (5.5 kW)	10 HP (7.5 kW)	15 HP (11.5 kW)	20 HP (15 kW)
Cylinder Speeds						
Wash/reverse speed	10-50 RPM	10-50 RPM	10-50 RPM	10-50 RPM	10-50 RPM	10-50 RPM
Distribution/drain speed	69 RPM	65 RPM	61 RPM	61 RPM	100 RPM	80 RPM
Extract speed	250-1000 RPM	250-1000 RPM	250-800 RPM	250-800 RPM	250-750 RPM	250-750 RPM
Centrifugal Force Data						
Wash/reverse centrifugal force	0.04-1.05 Gs	0.05-1.19 Gs	0.06-1.37 Gs	0.06-1.37 Gs	0.06-1.52 Gs	0.06-1.52 Gs
Extract centrifugal force	26-418 Gs	30-475 Gs	34-350 Gs	34-350 Gs	34-344 Gs	34-342 Gs
Balance Detection						
Vibration safety switch installed	Standard	Standard	Standard	Standard	Standard	Standard
Direct Steam Heating (Optional)						
Steam inlet connection size	0.38 in. (10 mm)	0.38 in. (10 mm)	0.38 in. (10 mm)	0.38 in. (10 mm)	0.75 in. (19 mm)	0.75 in. (19 mm)
Number of steam inlets	1	1	1	1	1	1
Electrical Heating (Optional)						
Total electrical heating capacity	18 kW	18 kW	27 kW	27 kW	N/A	36 kW
Electrical heating elements	6	6	9	9	N/A	9
Electrical heat element size	3 kW	3 kW	3 kW	3 kW	N/A	4 kW

Specifications and Dimensions

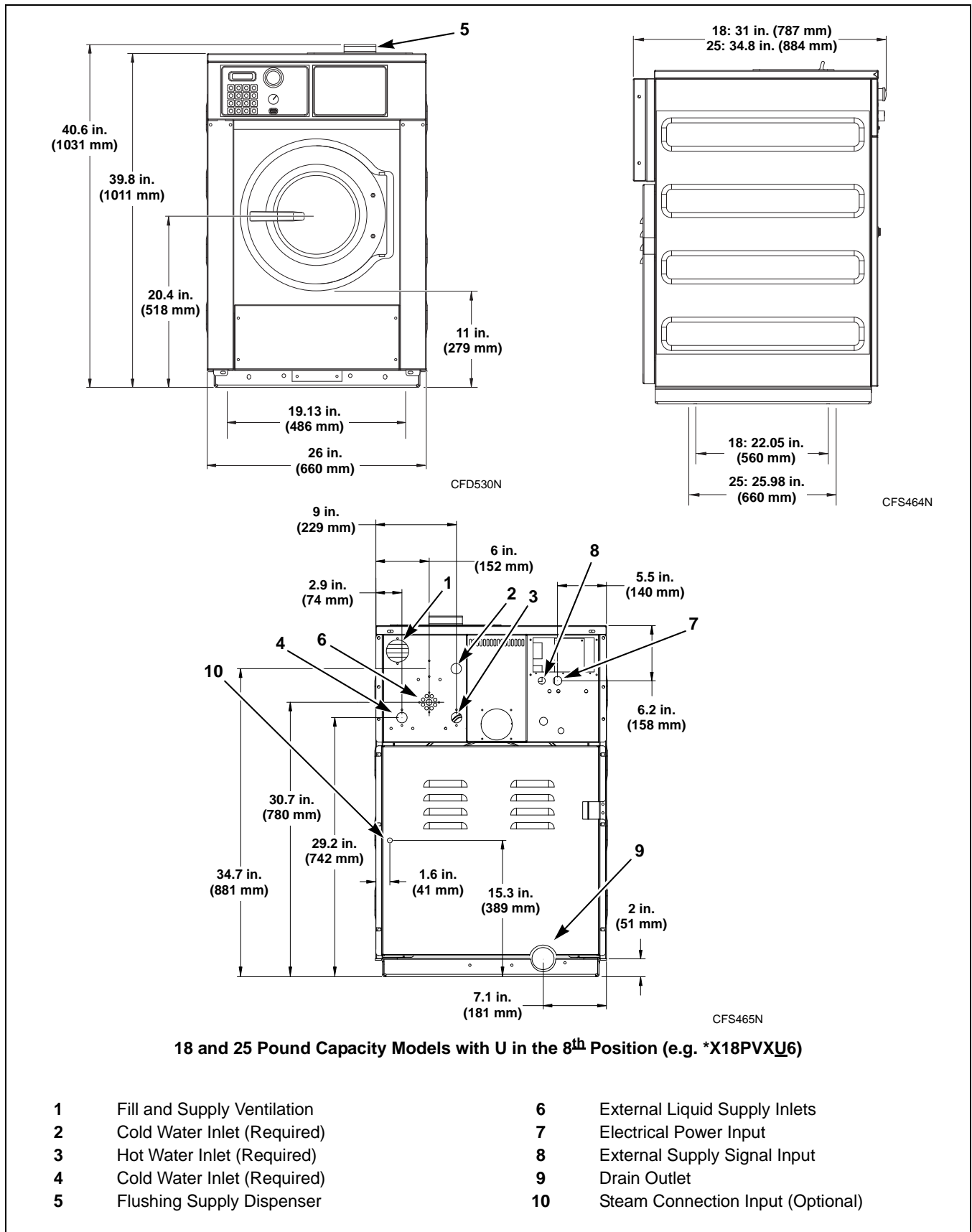


Figure 3

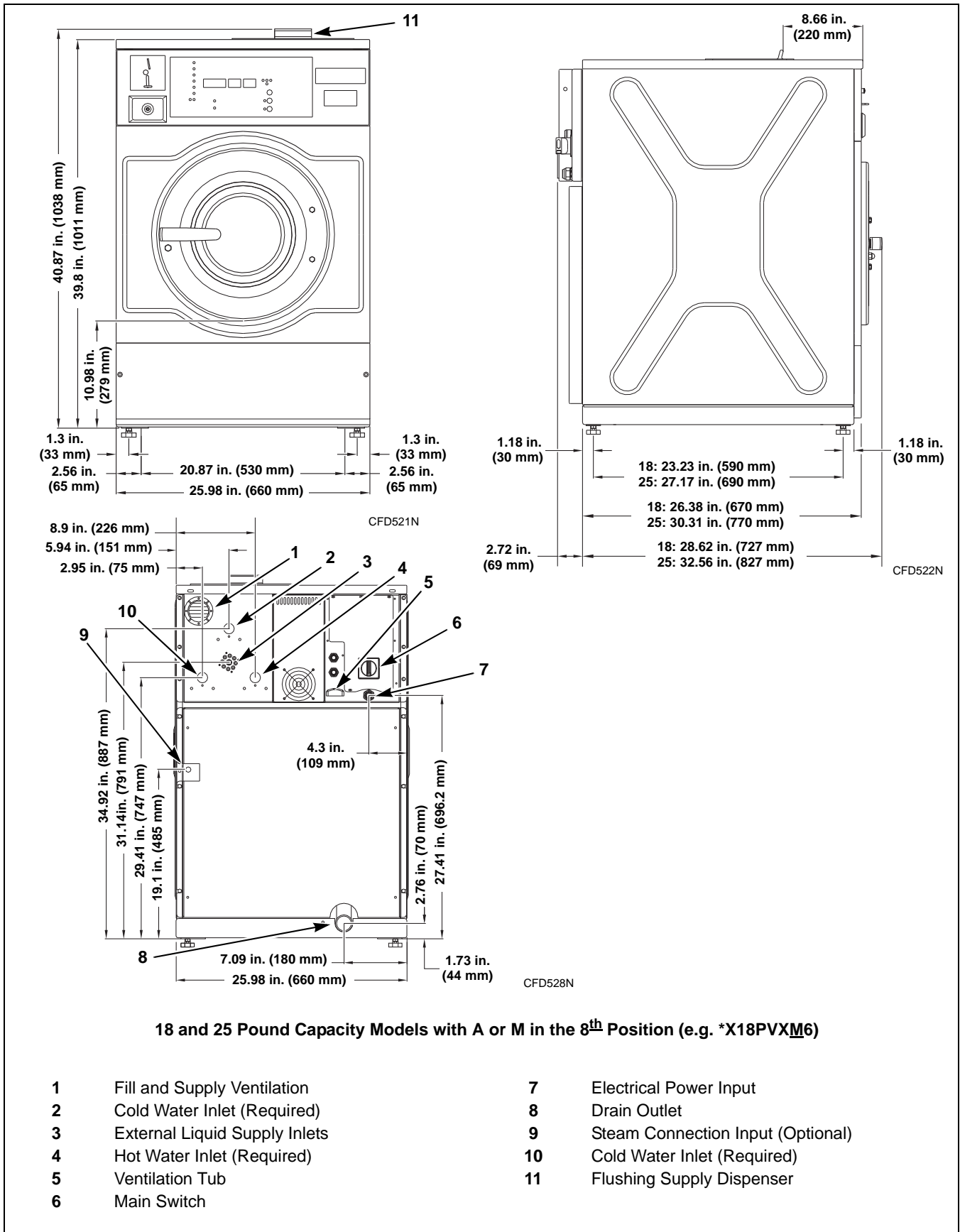


Figure 4

Specifications and Dimensions

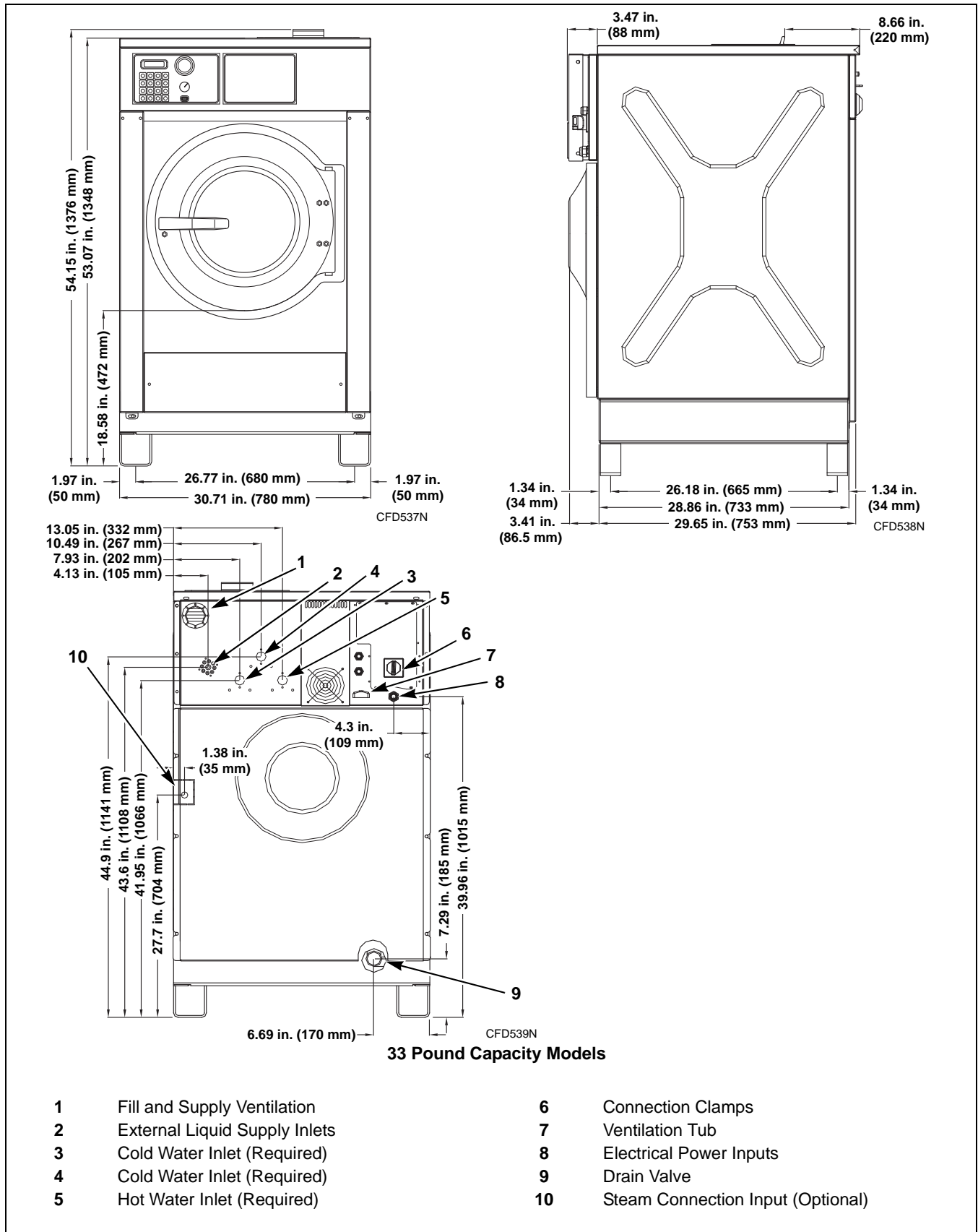


Figure 5

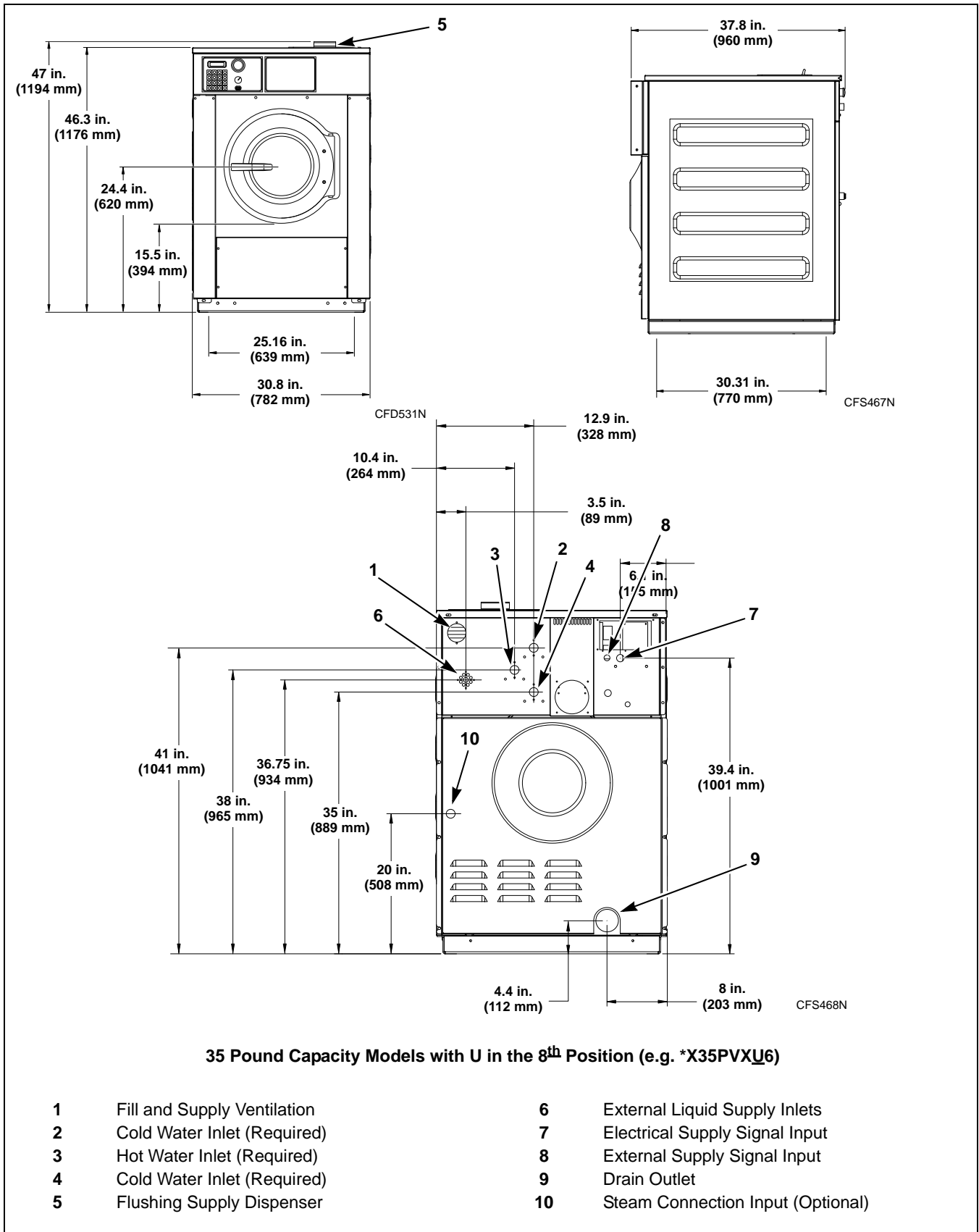


Figure 6

Specifications and Dimensions

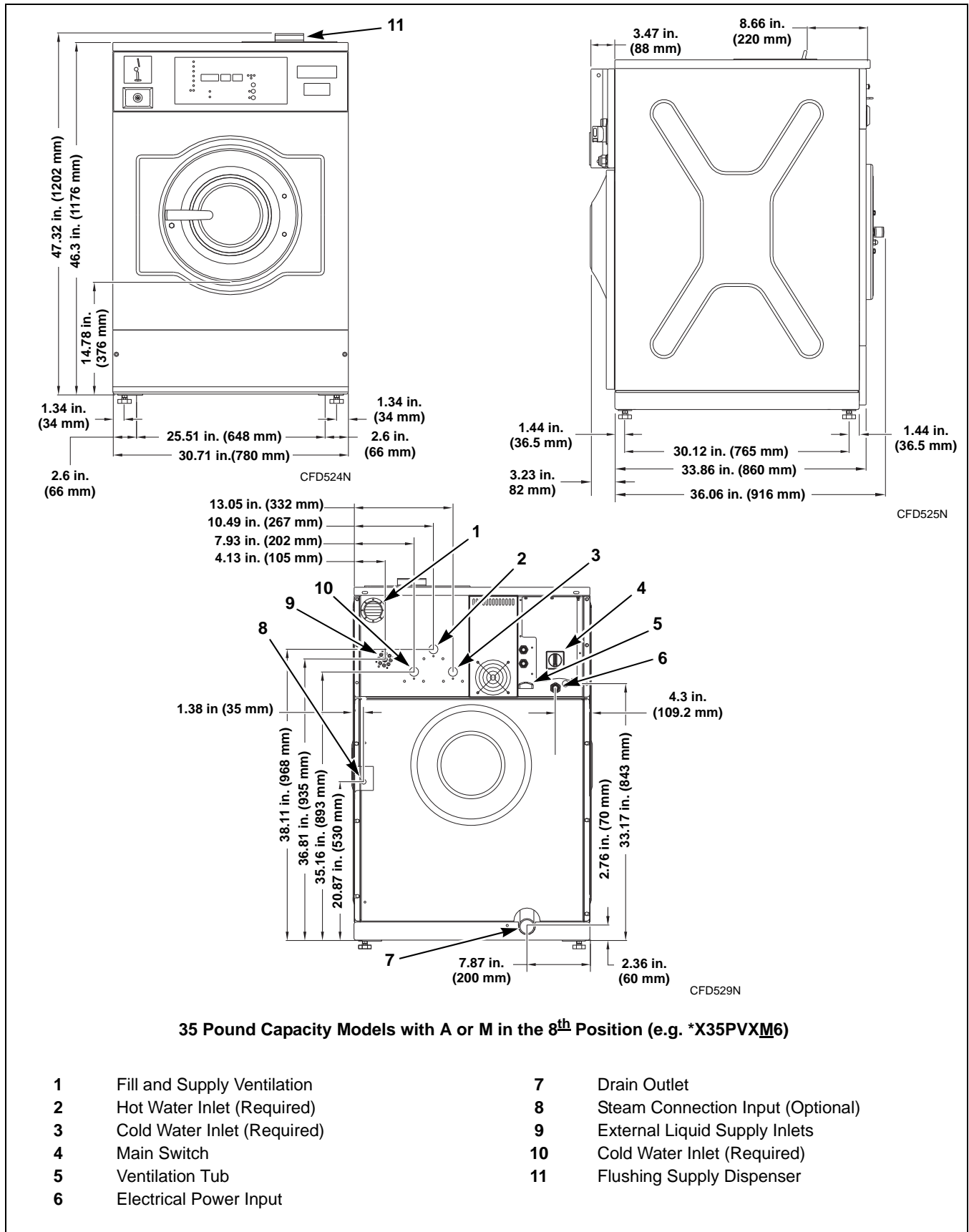


Figure 7

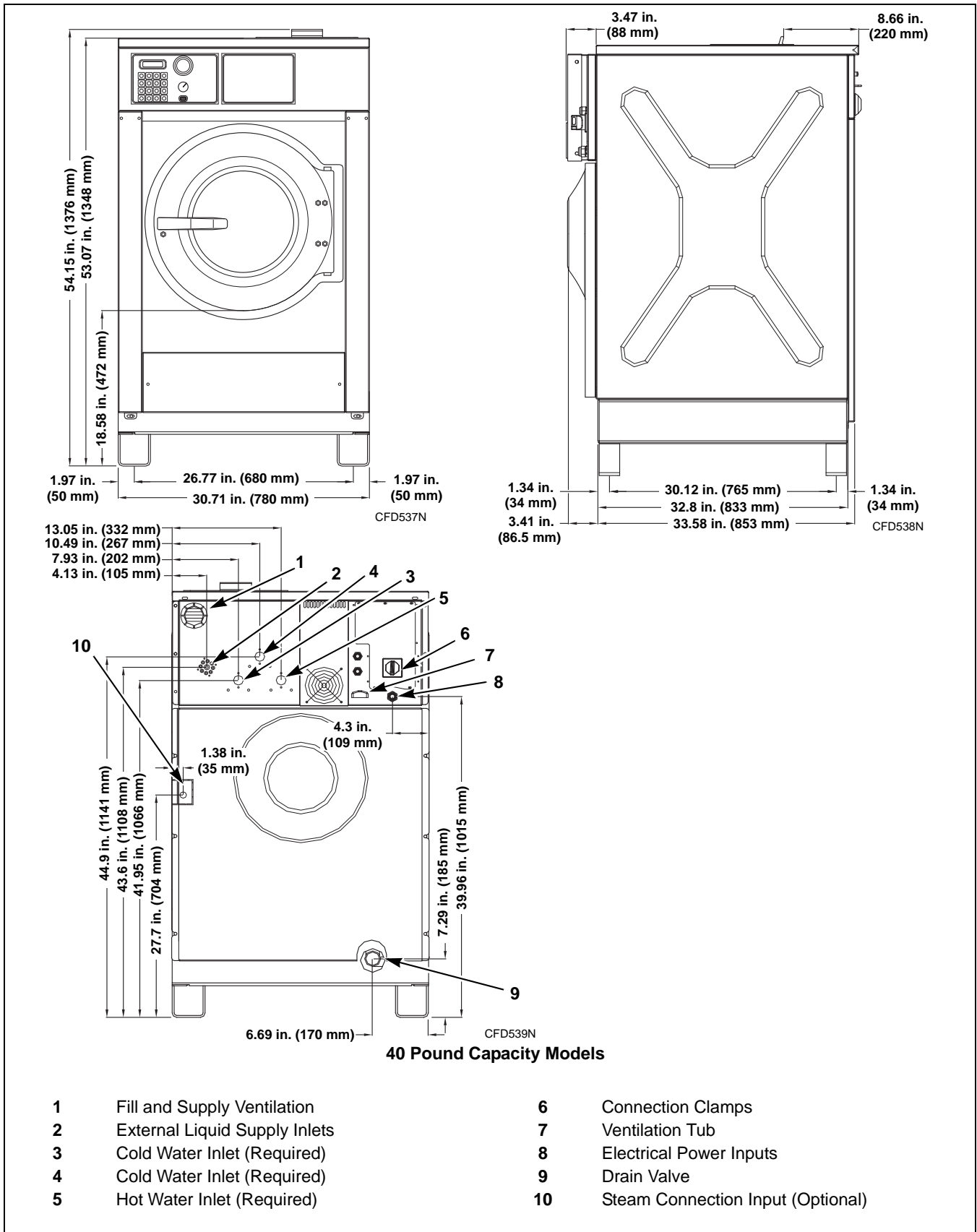


Figure 8

Specifications and Dimensions

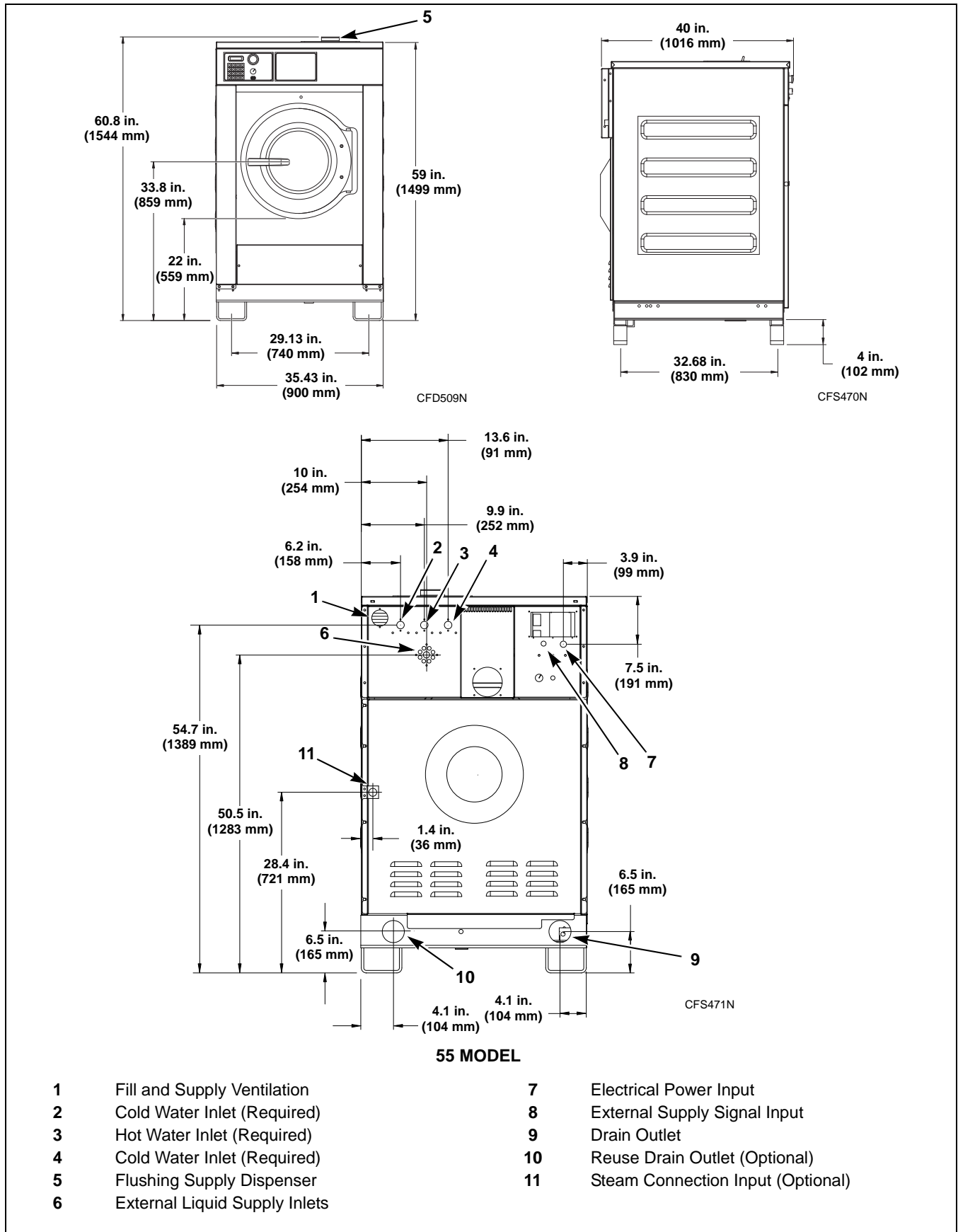


Figure 9

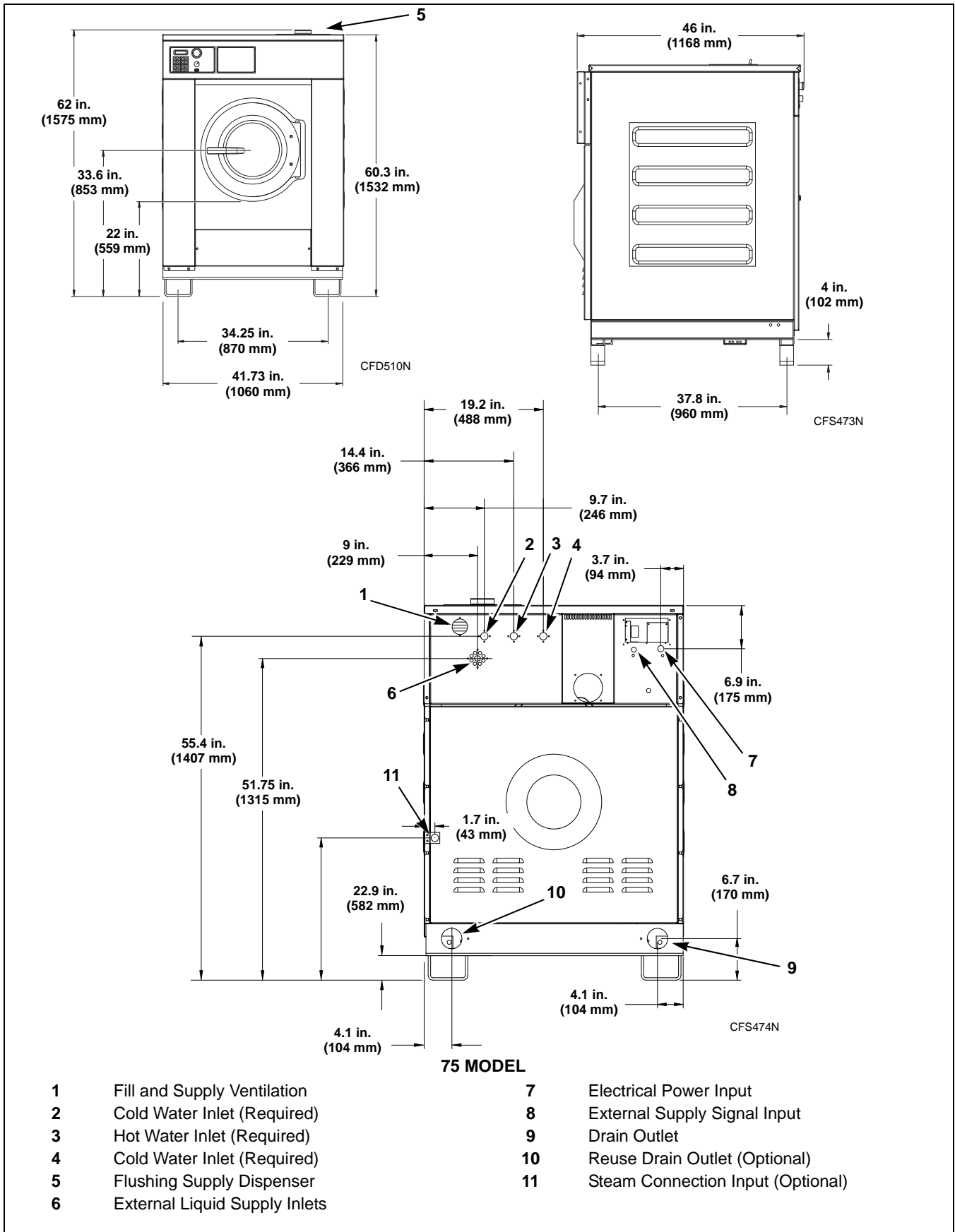


Figure 10

Specifications and Dimensions

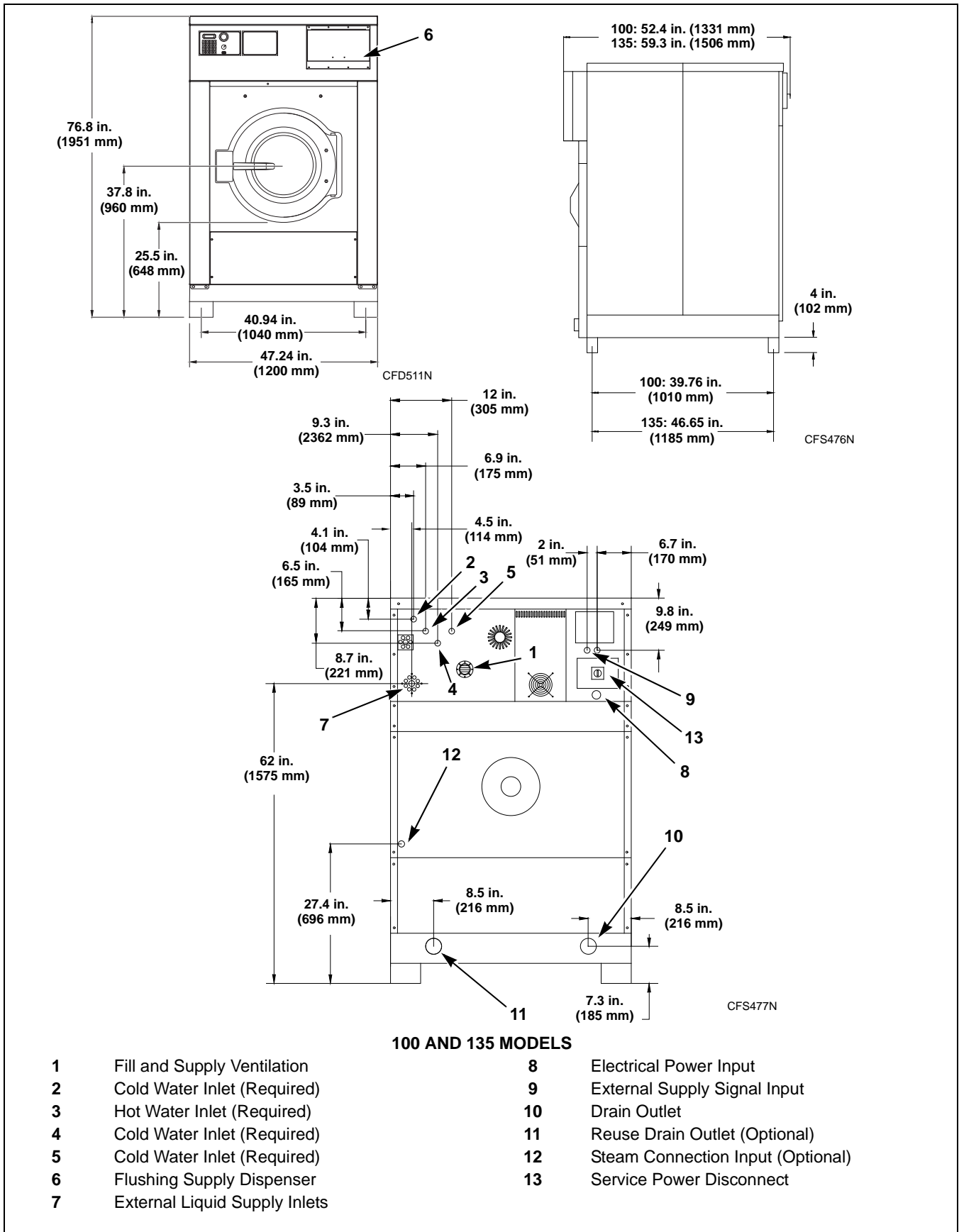


Figure 11

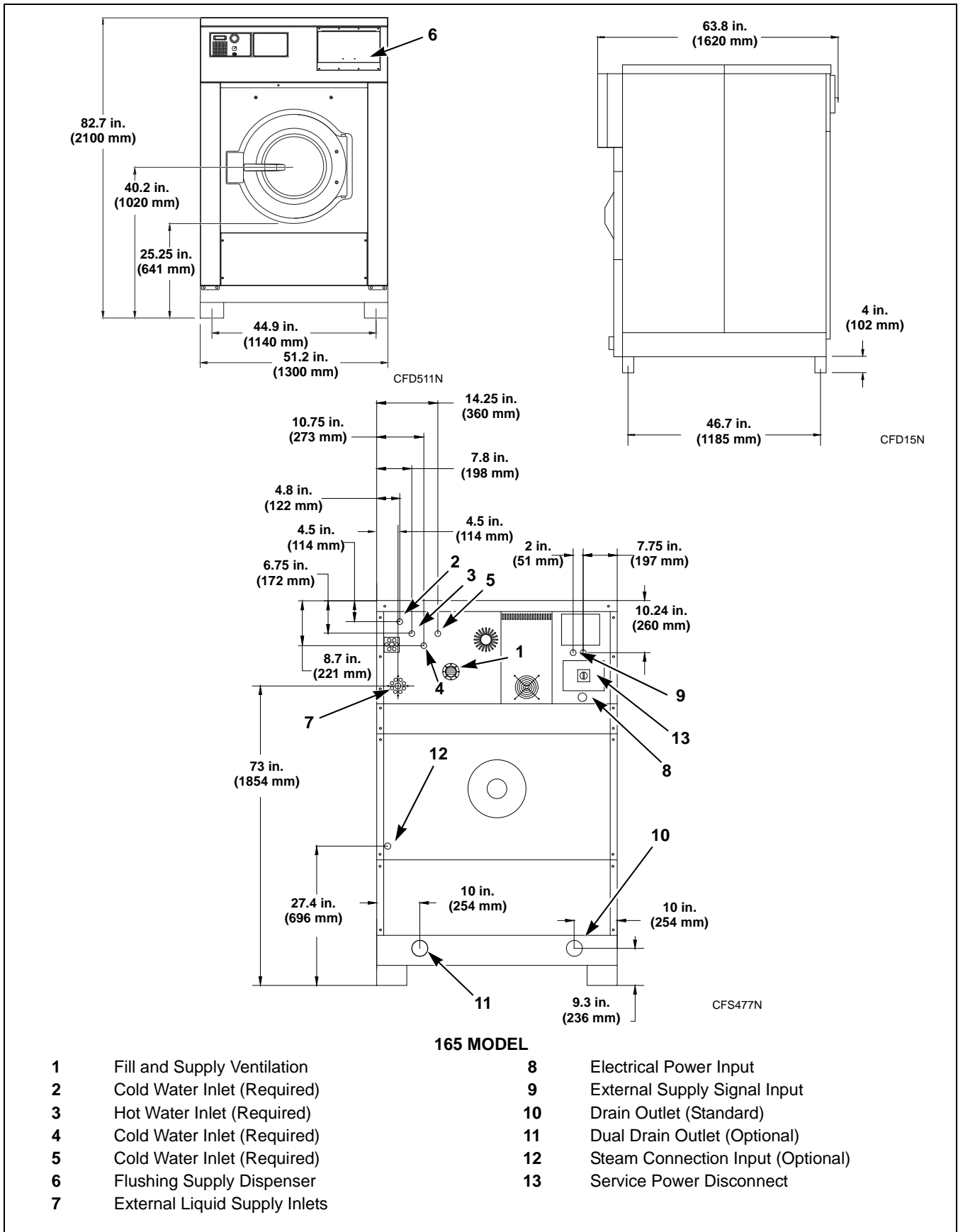


Figure 12

Specifications and Dimensions

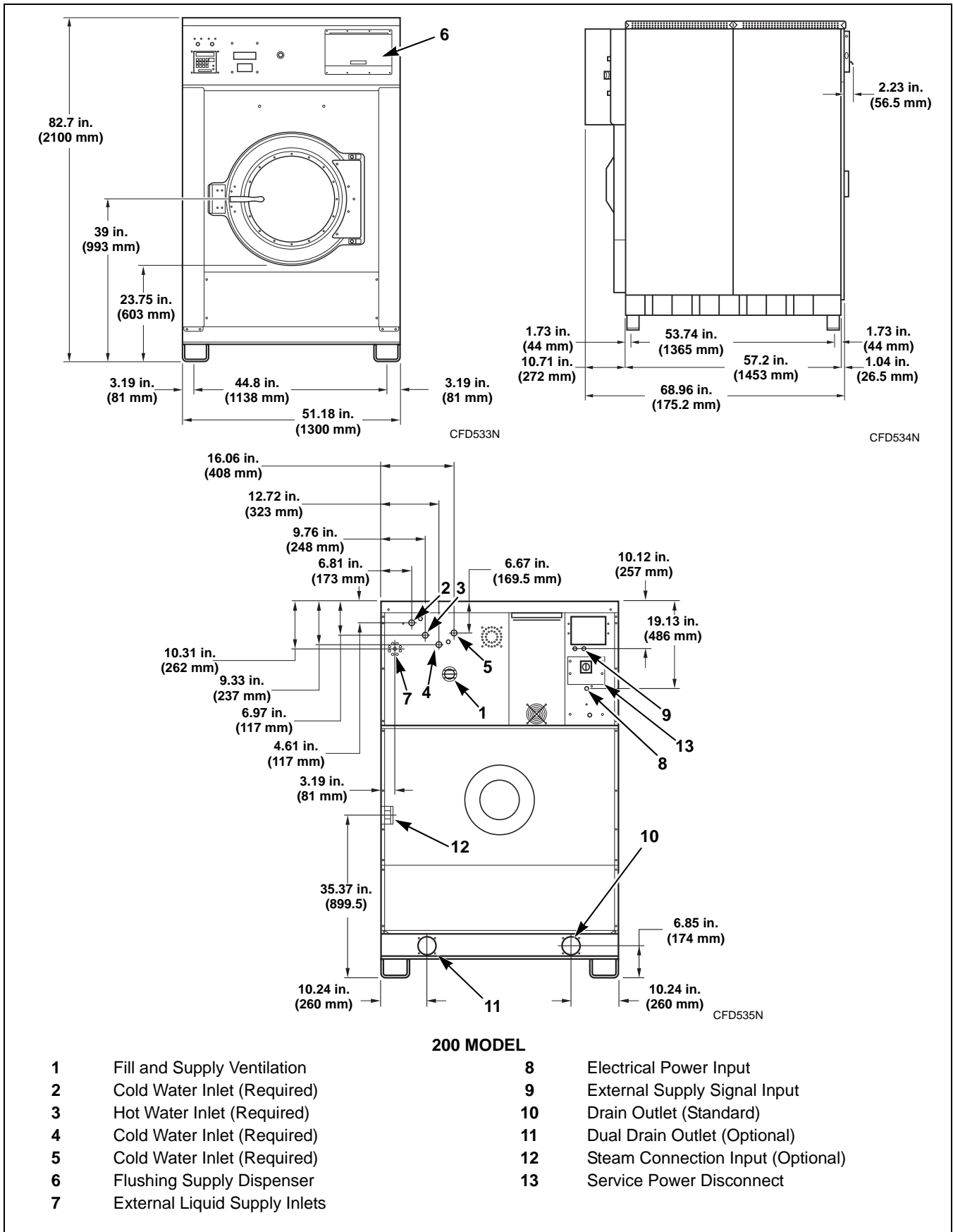


Figure 13

Installation

Dimensional Clearances

Table 1 shows recommended minimum clearances on all sides of the washer-extractor.


Recommended Minimum Clearances											
Model	18	25	33	35	40	55	75	100	135	165	200
Minimum rear clearance	24 in. (600 mm)	24 in. (600 mm)	24 in. (600 mm)	24 in. (600 mm)	24 in. (600 mm)	24 in. (600 mm)	24 in. (600 mm)	24 in. (600 mm)	24 in. (600 mm)	24 in. (600 mm)	24 in. (600 mm)
Minimum clearance between machine and wall	6 in. (150 mm)	6 in. (150 mm)	6 in. (150 mm)	6 in. (150 mm)	6 in. (150 mm)	6 in. (150 mm)	6 in. (150 mm)	6 in. (150 mm)	6 in. (150 mm)	6 in. (150 mm)	6 in. (150 mm)
Minimum clearance between machines (side)	1.2 in. (30 mm)	1.2 in. (30 mm)	1.2 in. (30 mm)	1.2 in. (30 mm)	1.2 in. (30 mm)	1.2 in. (30 mm)	1.2 in. (30 mm)	1.2 in. (30 mm)	1.2 in. (30 mm)	1.2 in. (30 mm)	1.2 in. (30 mm)
Minimum front clearance (door swing)	16.5 in. (419 mm)	16.5 in. (419 mm)	21 in. (533 mm)	16.5 in. (419 mm)	21 in. (533 mm)	21 in. (533 mm)	21 in. (533 mm)	26 in. (660 mm)	26 in. (660 mm)	26 in. (660 mm)	26 in. (660 mm)

Table 1

Installation

Machine Foundation

Thoroughness of detail must be stressed with all foundation work to ensure a stable unit installation, eliminating possibilities of excessive vibration during extract.

	CAUTION
<p>Ensure that the machine is installed on a level floor of sufficient strength and that the recommended clearances for inspection and maintenance are provided. Never allow the inspection and maintenance space to be blocked.</p>	
W488	

The washer-extractor must be placed on a smooth level surface so that the entire base of the machine is supported and rests on the mounting surface.

The standard installation does not require anchoring unless mandated by state or local codes.

Static and dynamic loads on the floor or foundation are shown in *Table 2*.

Table 2 can be used as a reference when designing floors and foundations.

IMPORTANT: Mounting bolts MUST be used for installation on the 18, 25 and 35 models equipped with steam heat and models installed on metal base frames. Refer to Mounting Bolt Installation.

Floor Load Data											
Model	18	25	33	35	40	55	75	100	135	165	200
Kinetic Energy of the Cylinder, (N/m)	1386	1730	2736	3240	4105	6640	12404	18361	23257	29581	29581
Dynamic Bottom Load, (N/Hz)	700/16	750/16	1200/16	1200/16	1200/16	1700/15	2000/15	2960/13	3900/13	4960/13	6100/13

Table 2

Mechanical Installation

Frame Dimensions and Mounting Bolt Location

18, 25, 35, 55, 75, 100, 135 and 165 Pound Capacity with U in the 8th position of the Model Number (e.g. *X18PVXU6)

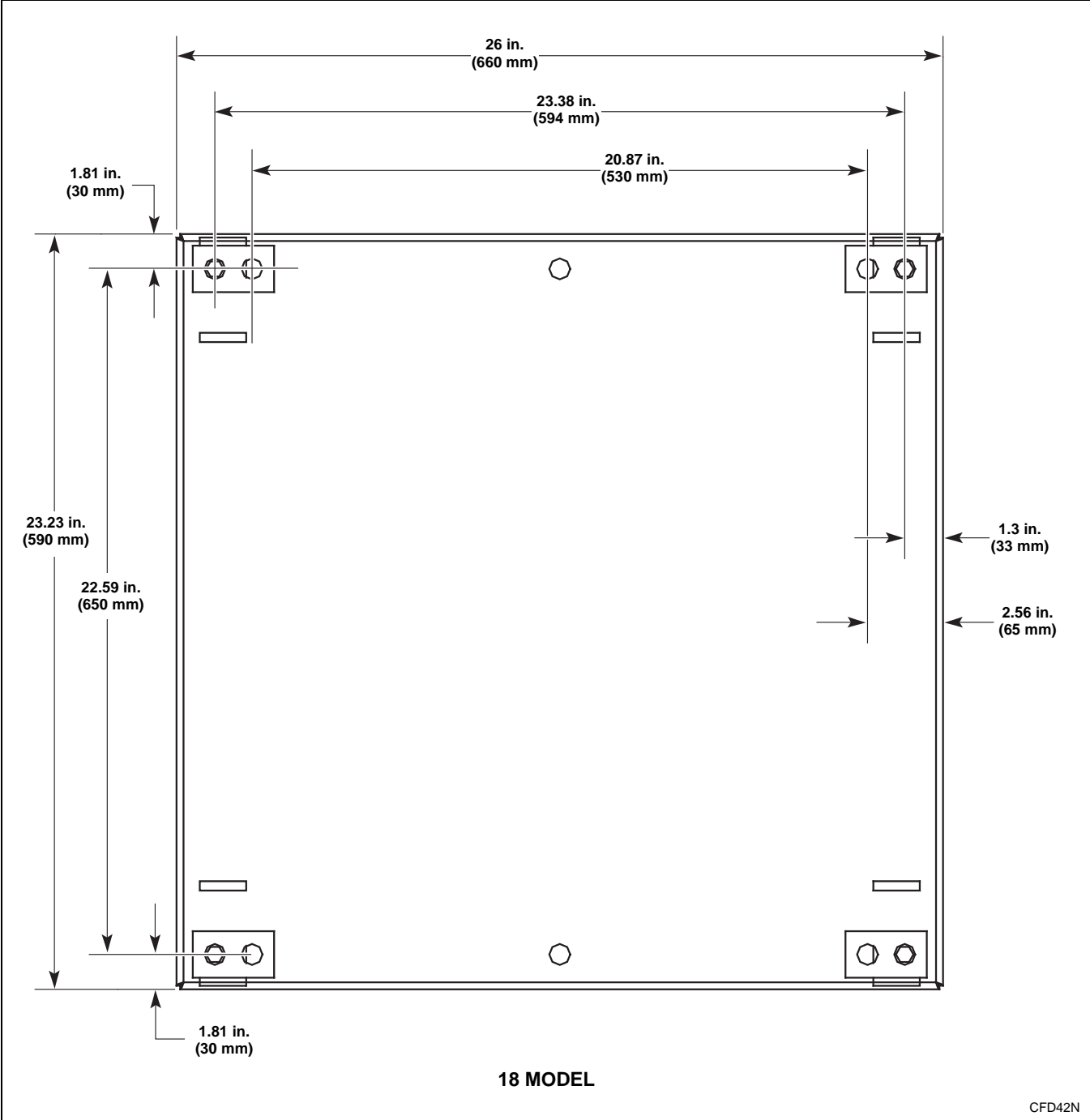


Figure 14

IMPORTANT: Drawing is not to scale.

Installation

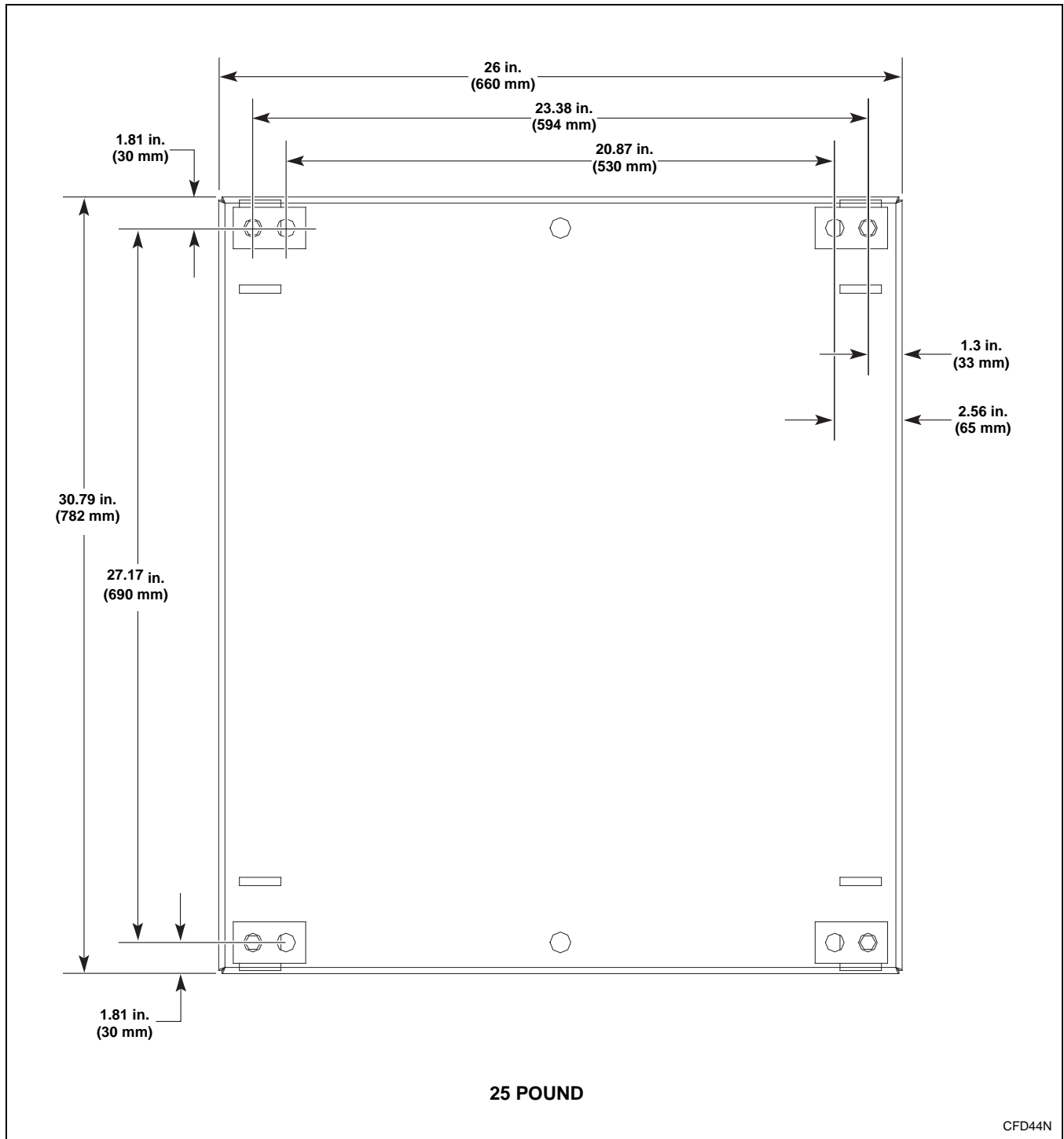


Figure 15

IMPORTANT: Drawing is not to scale.

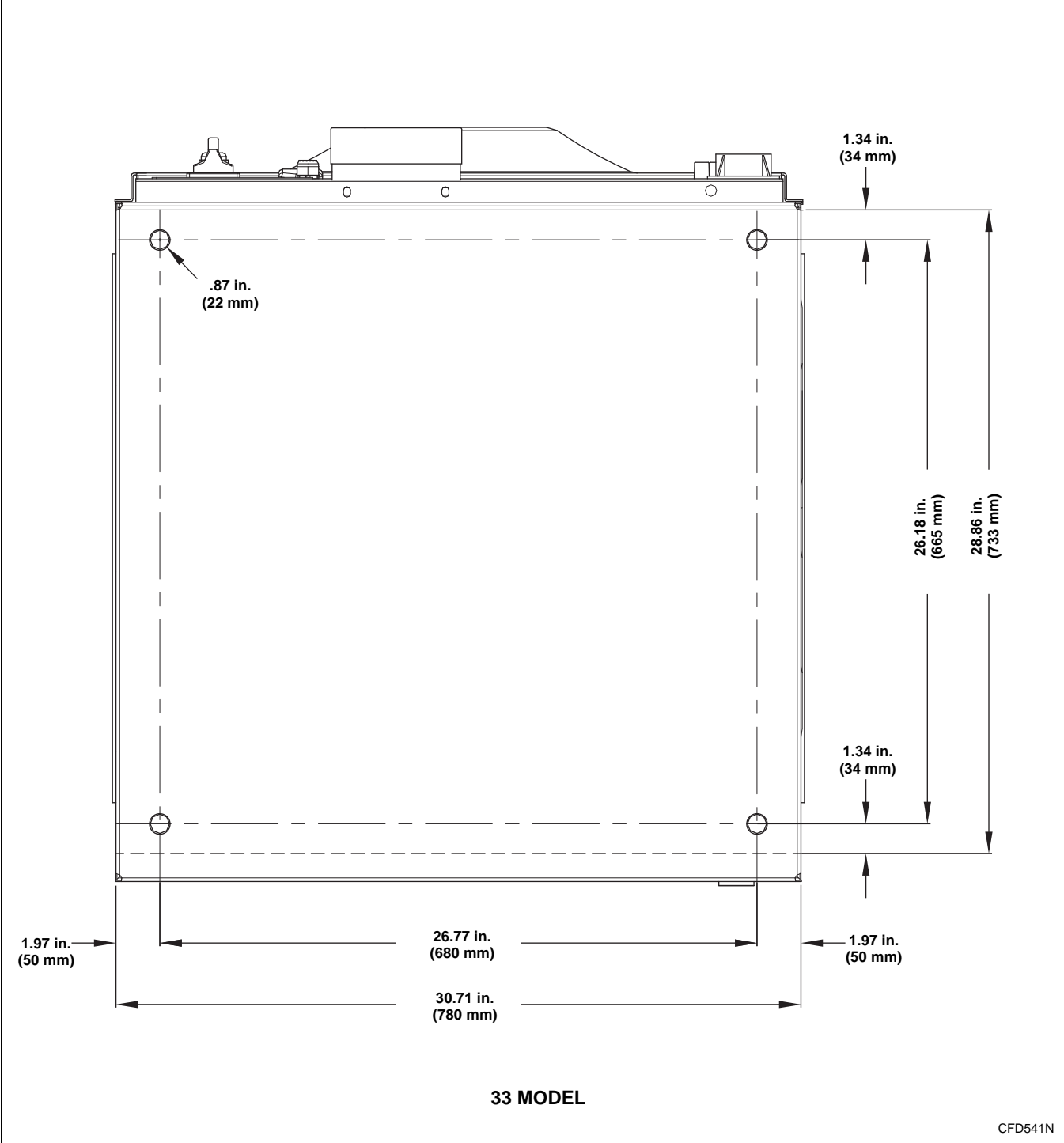


Figure 16

IMPORTANT: Drawing is not to scale.

Installation

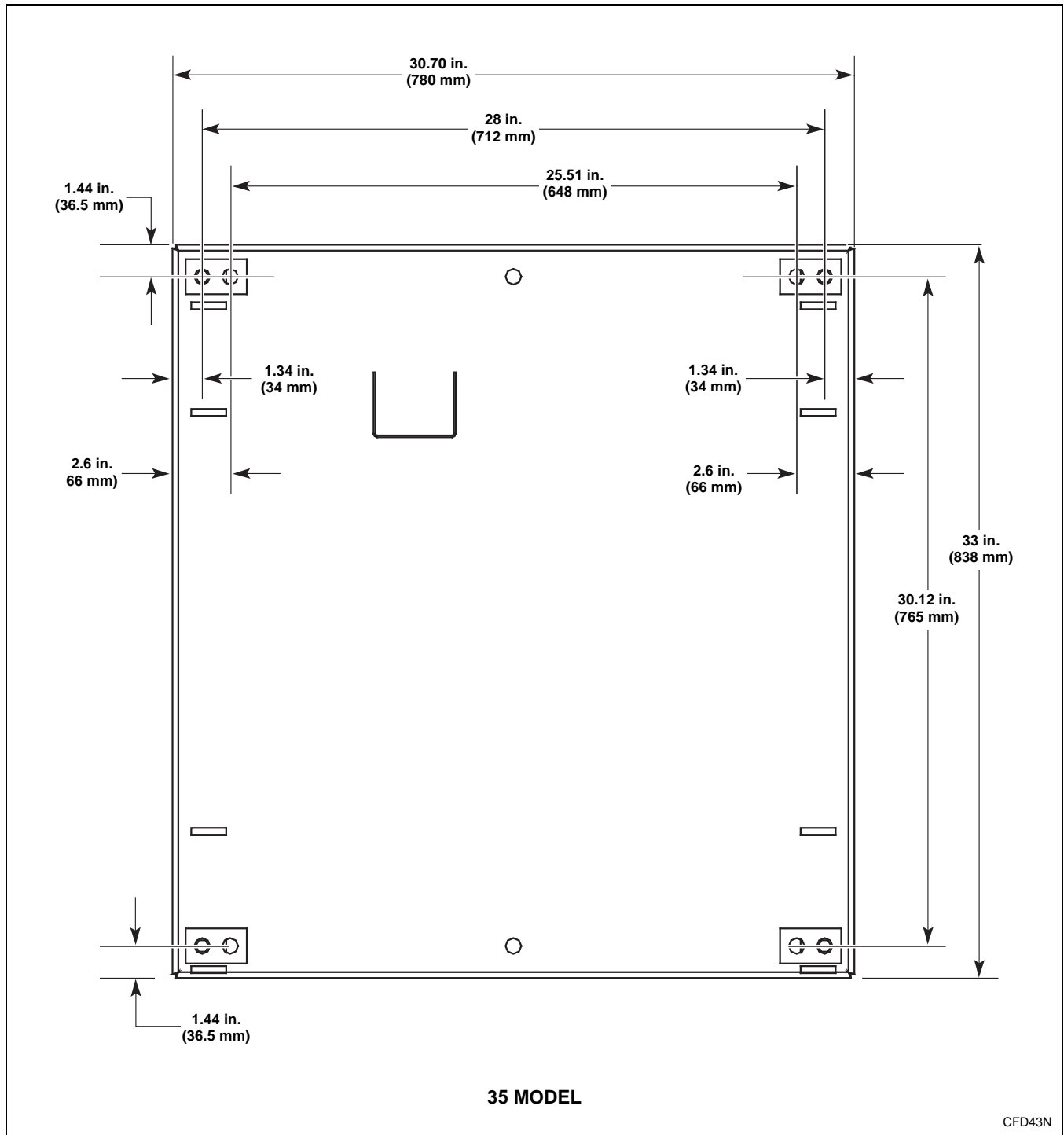


Figure 17

IMPORTANT: Drawing is not to scale.

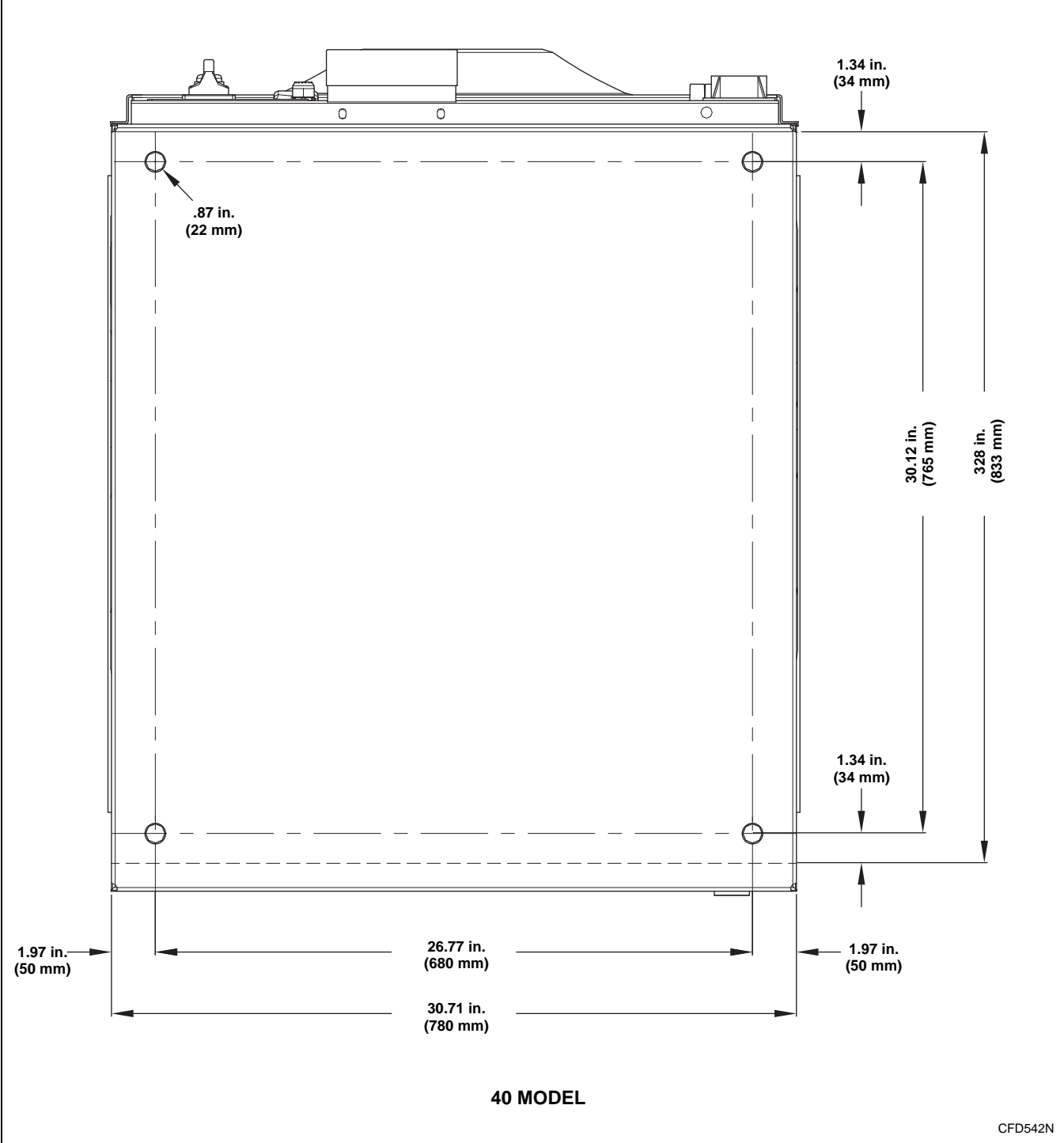


Figure 18

IMPORTANT: Drawing is not to scale.

Installation

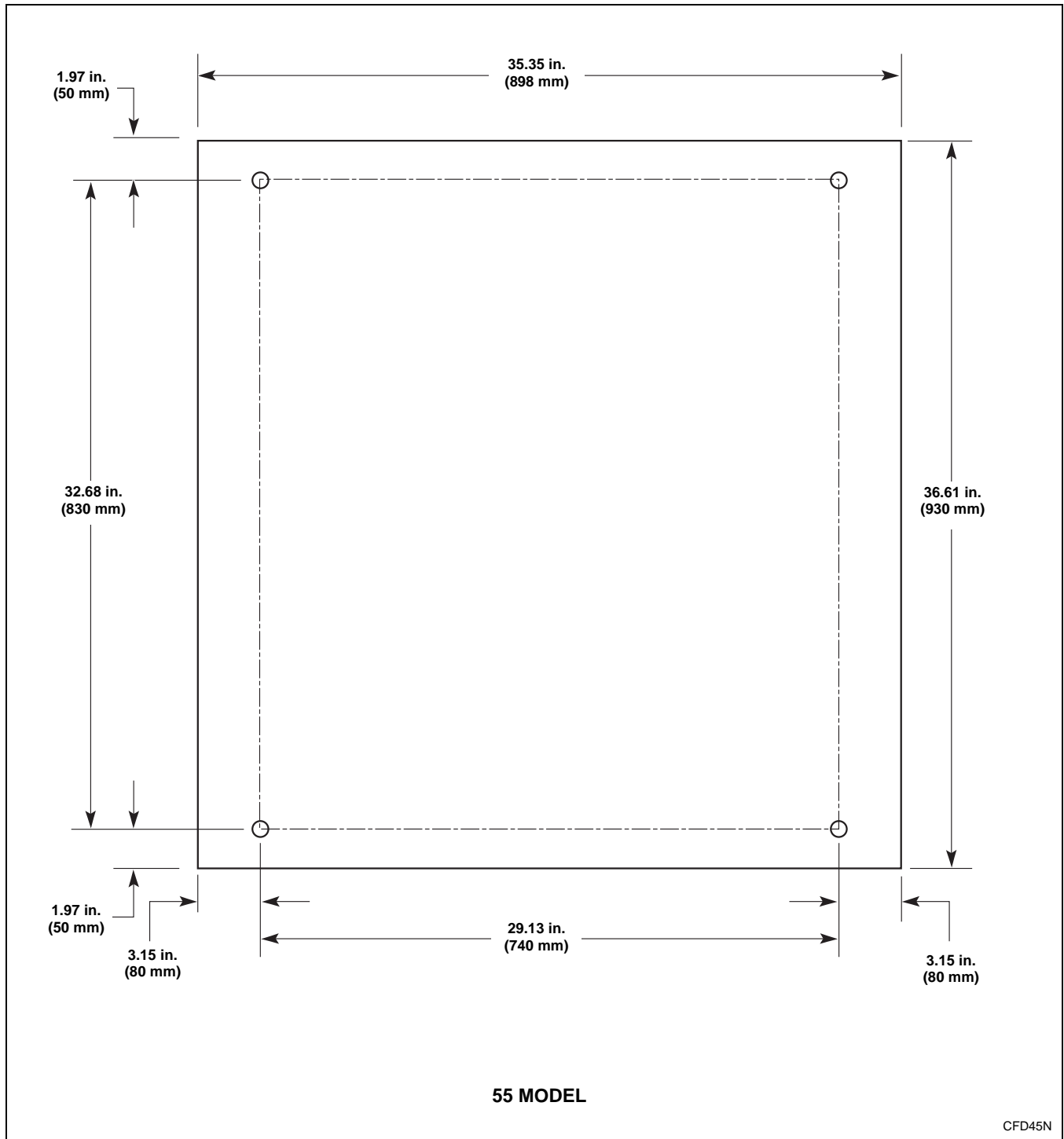


Figure 19

IMPORTANT: Drawing is not to scale.

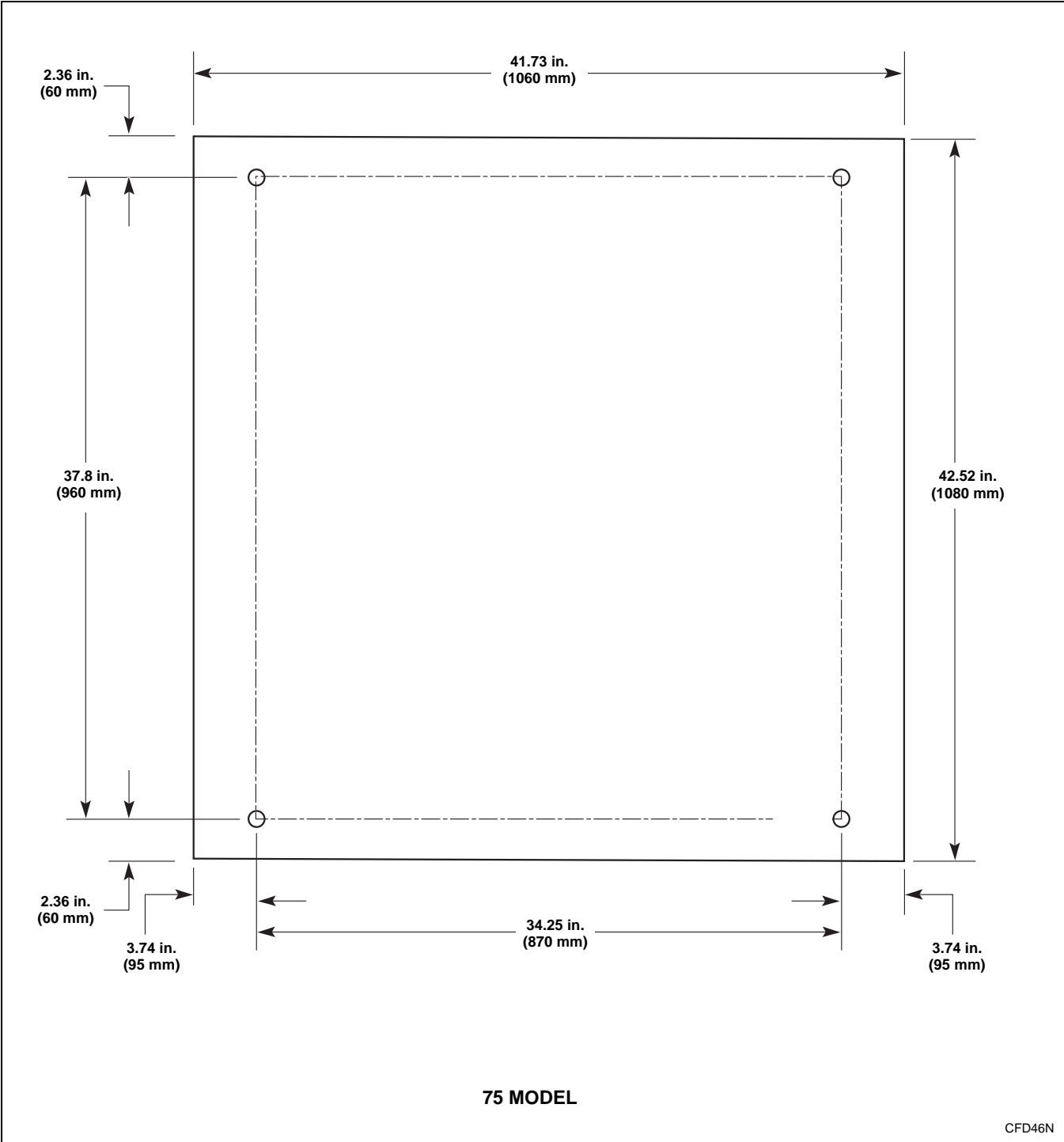


Figure 20

IMPORTANT: Drawing is not to scale.

Installation

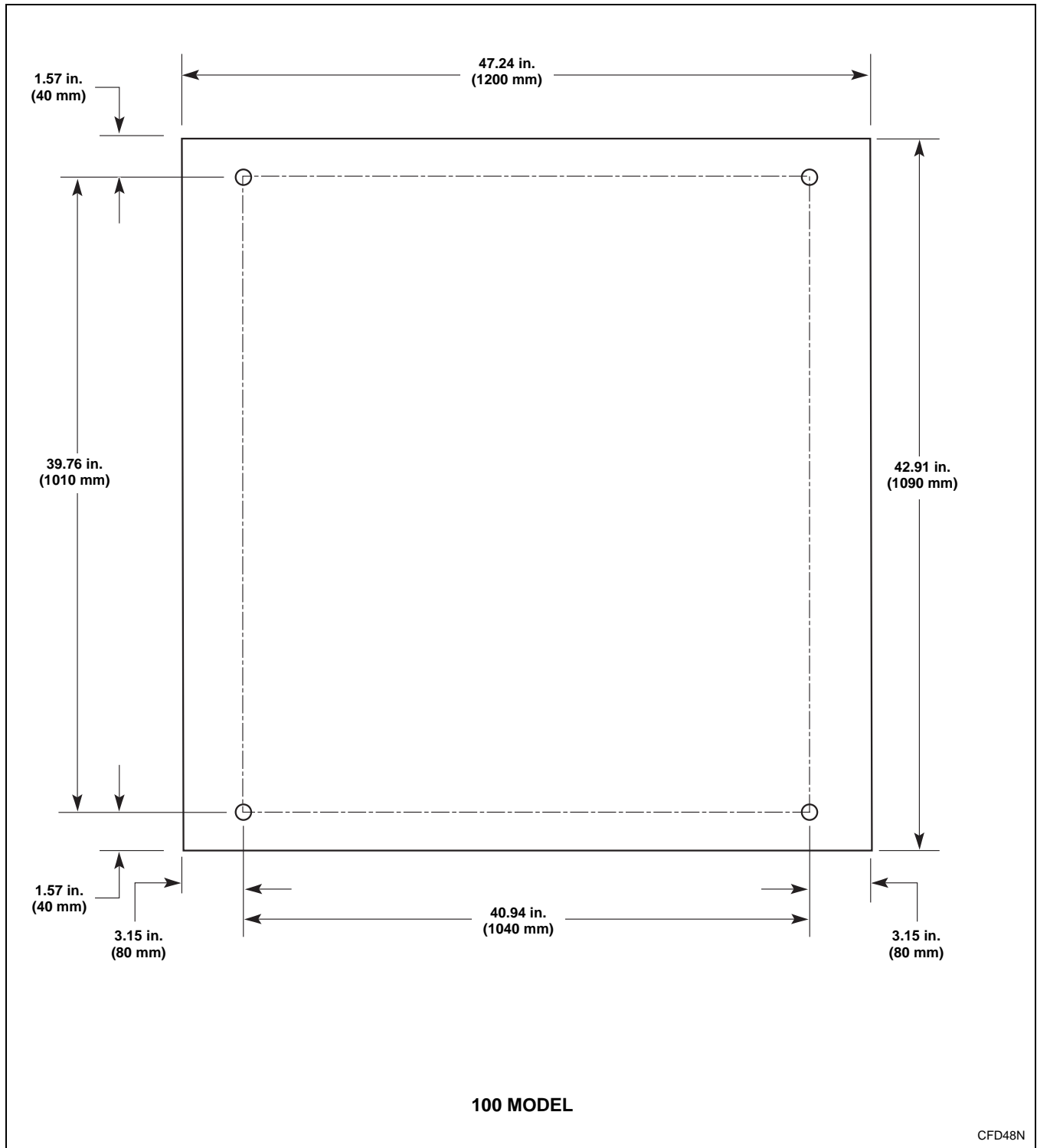


Figure 21

IMPORTANT: Drawing is not to scale.

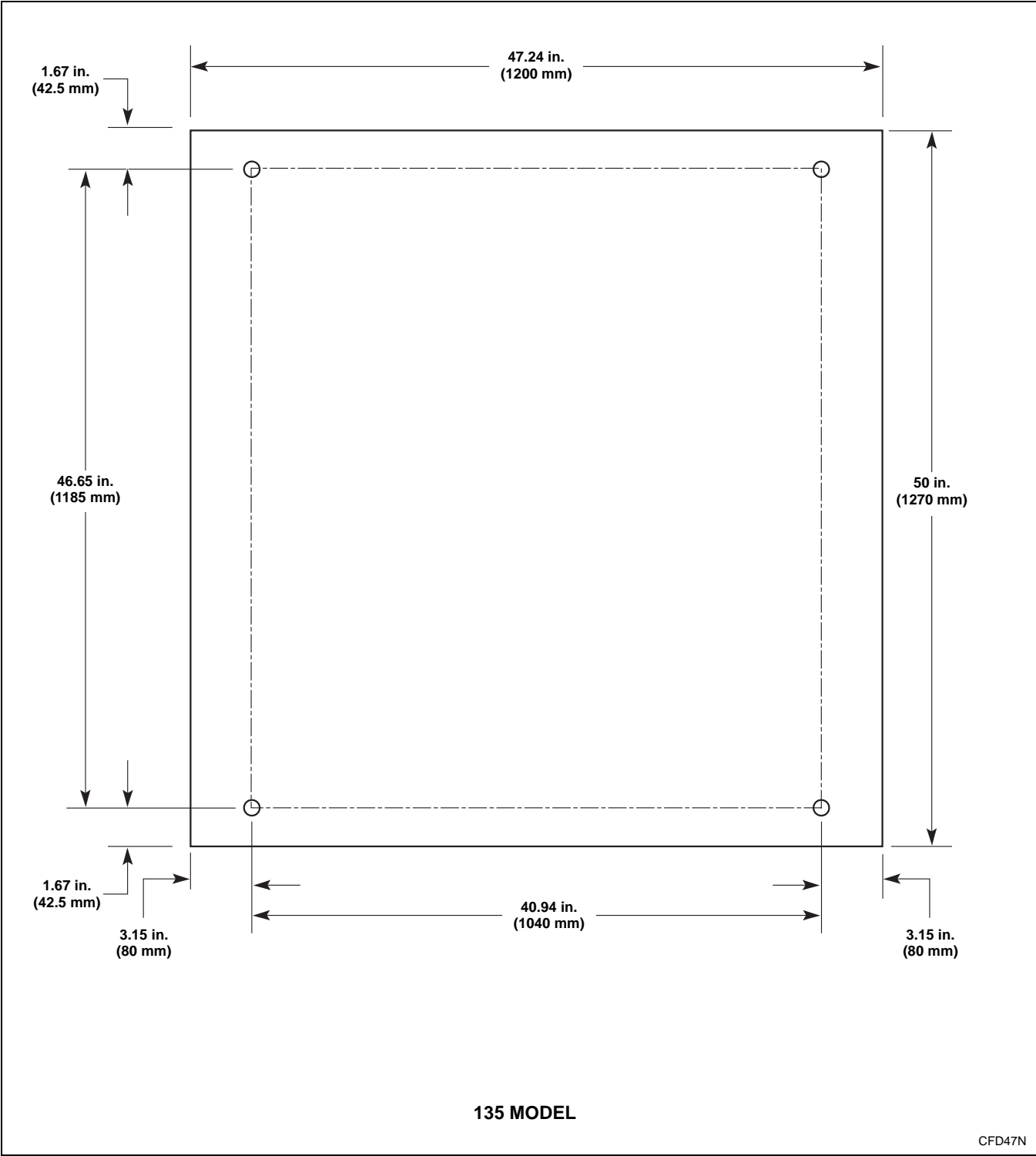


Figure 22

IMPORTANT: Drawing is not to scale.

Installation

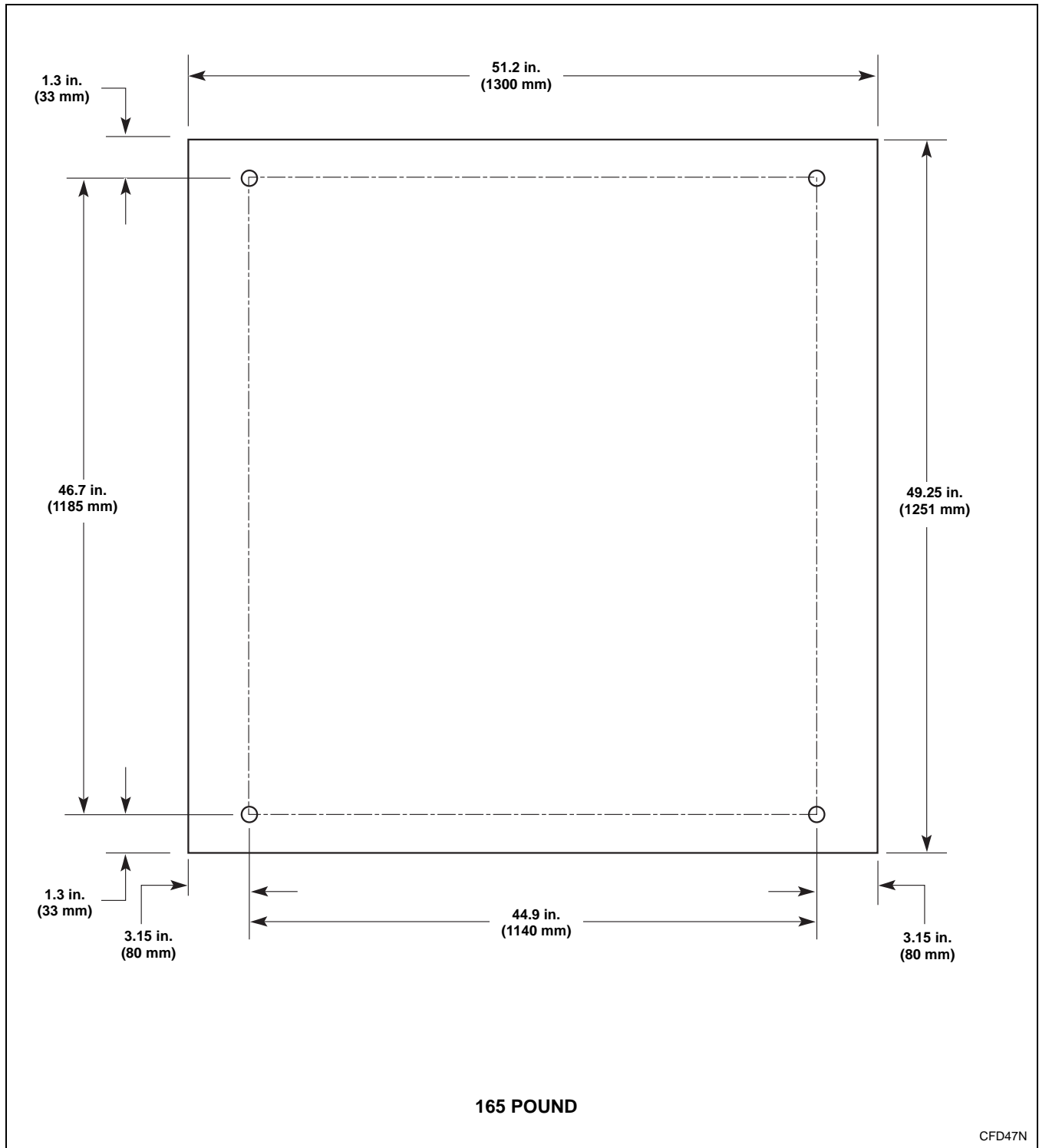


Figure 23

IMPORTANT: Drawing is not to scale.

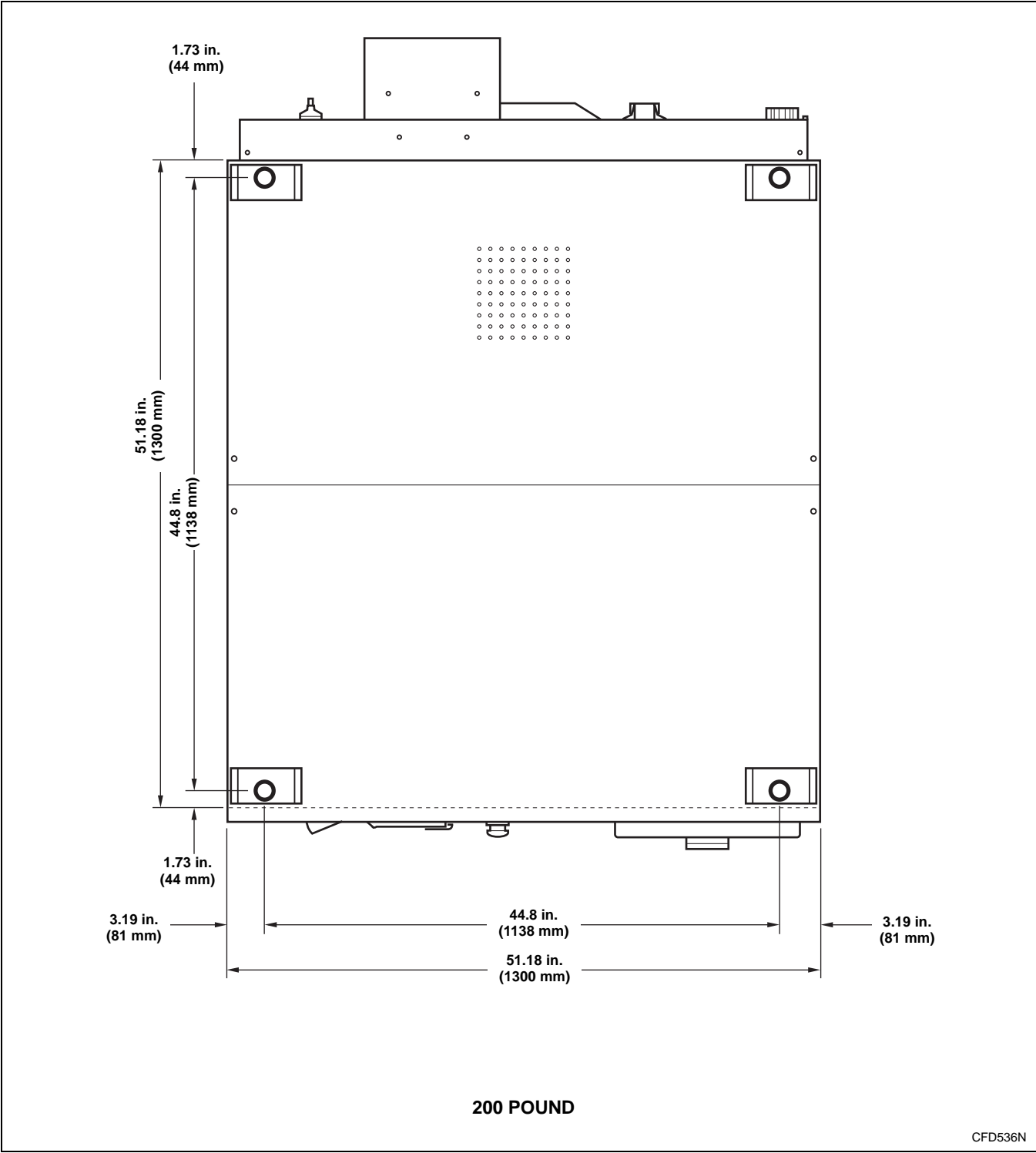


Figure 24

IMPORTANT: Drawing is not to scale.

Installation

18, 25 and 35 Pound Capacity with A or M in the 8th position of the Model Number (e.g. *X18PVXA6)

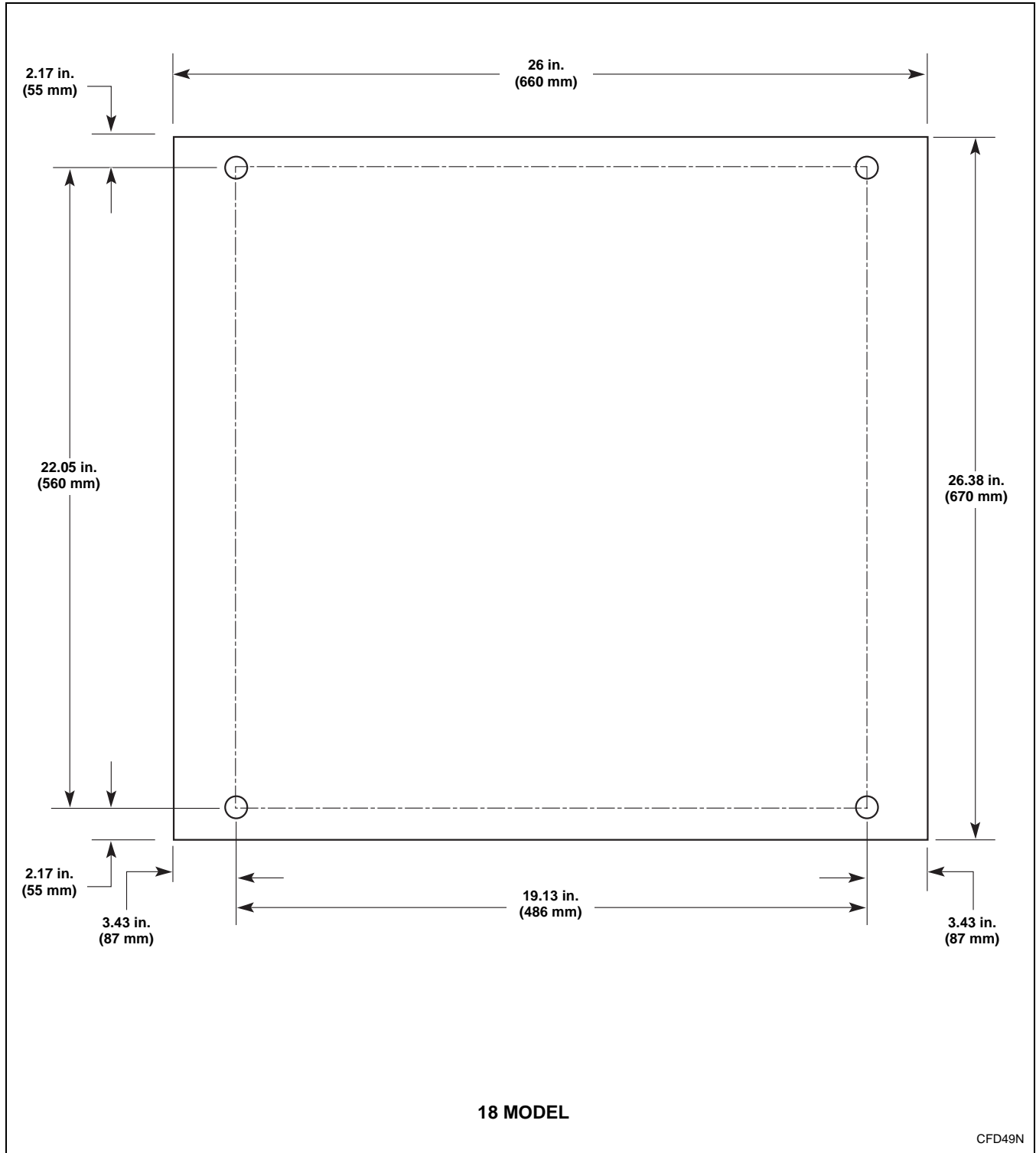


Figure 25

IMPORTANT: Drawing is not to scale.

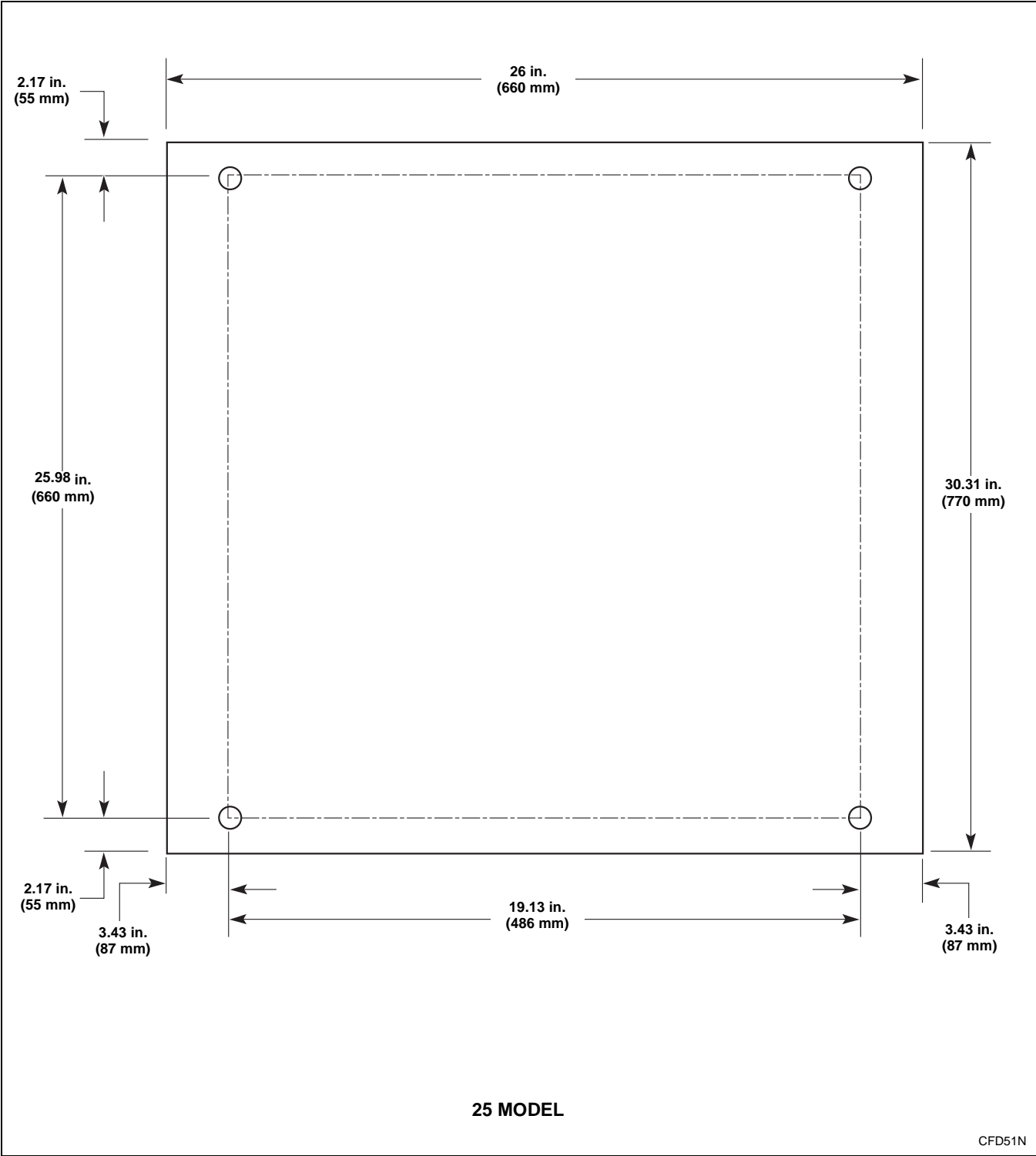


Figure 26

IMPORTANT: Drawing is not to scale.

Installation

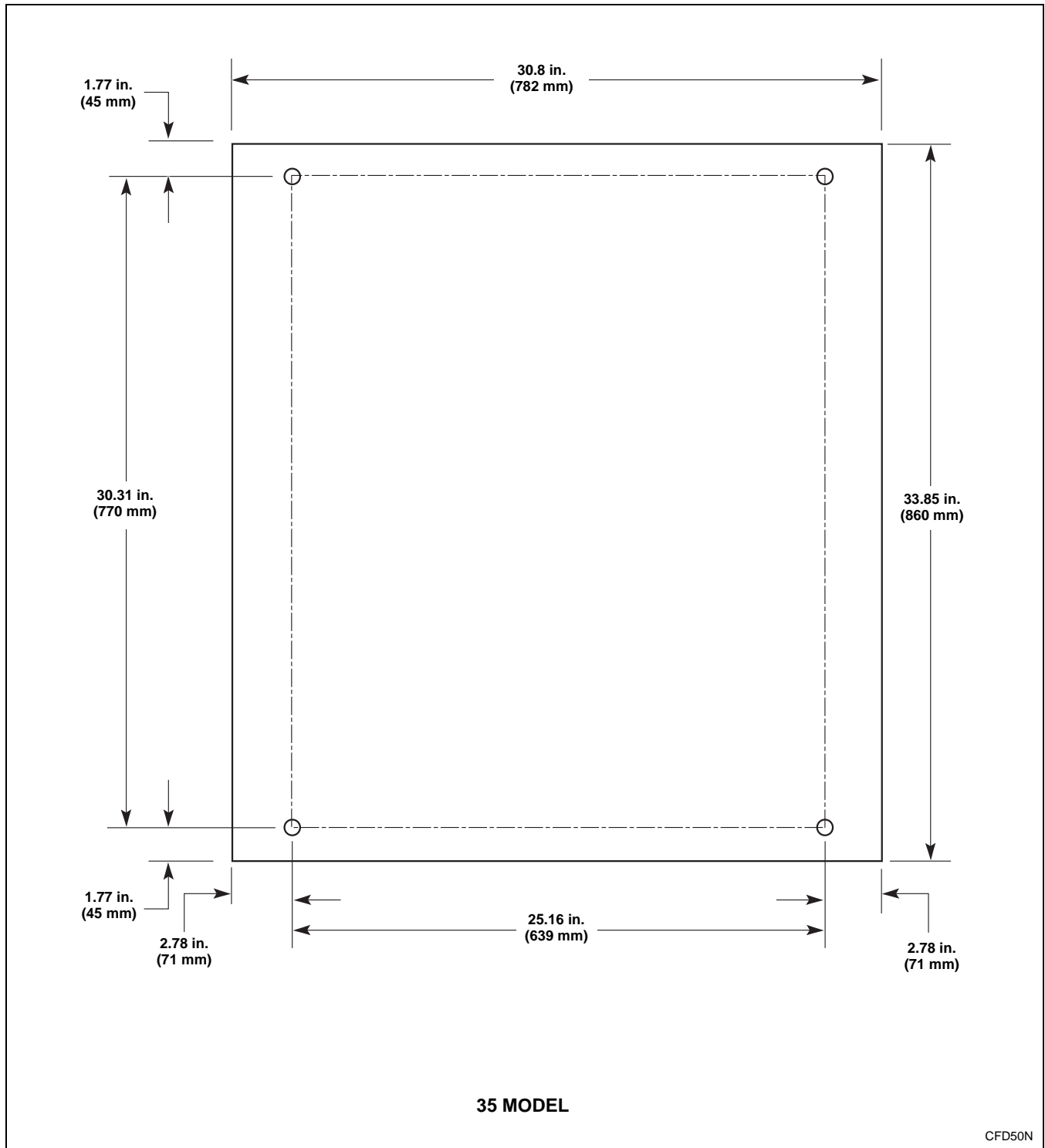


Figure 27

IMPORTANT: Drawing is not to scale.

Mounting Bolt Installation (If Required)

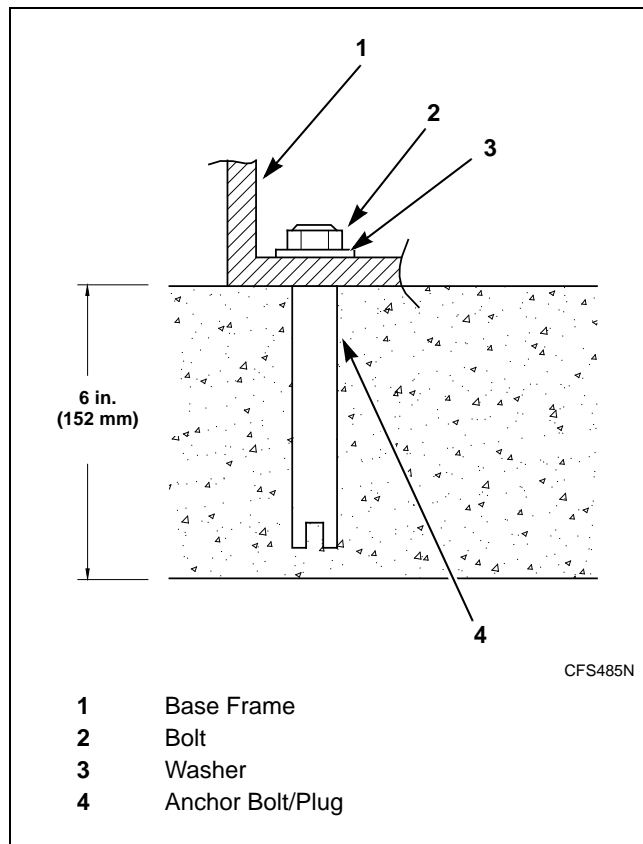


Figure 28

After the concrete has cured and the anchors are installed, proceed as follows:

1. Place the washer-extractor adjacent to the foundation. Do not attempt to move it by pushing on the sides. Always insert a pry bar or other device under the bottom of the frame of the washer-extractor to move it.
2. Place the washer-extractor carefully over the anchors.
3. Put bolts through the machine in the anchors and fasten them. (For the 18, 25, and 35 models, the diameter of the bolt must be minimum 1/2-13 or 12 mm; for the 33, 40, 55, 75, 100, 135, 165 and 200 models, the diameter of the bolt must be minimum 5/8-11 or 16 mm.)
4. To level machine, fill the spaces between the machine base and floor with machinery grout. Grout completely under all frame members. Remove front and rear panels to gain access to all frame members. Force grout under the machine base until all voids are filled.
5. Remove the spacers carefully, allowing the machine to settle into the wet grout.
6. Position washers and locknuts on machinery anchor bolts and finger-tighten to machine base.
7. After the grout is completely dry, tighten the locknuts by even increments – one after the other – until all are tightened evenly and the machine is fastened securely to the floor.
8. Remove the four red transport brackets which secure the moving components of the machine during shipping. Refer to *Figures 29, 31* and *32* for typical transport bracket locations.

Installation

Removing the Transport Brackets

To prevent damage during transportation, the machine has been equipped with four red transport brackets (refer to *Figure 29* for 18, 25 and 35 models; refer to *Figure 30* for 33 and 40 models; refer to *Figure 31* for 55 and 75 models [depending on model number]; refer to *Figure 32* for 100, 135, 165 and 200 models) to eliminate every possible movement of the tub.

After the machine has been placed level, take off the service panels and the back panel to remove these transport brackets.



WARNING

The machine must never be activated before removing these transport brackets.

W489

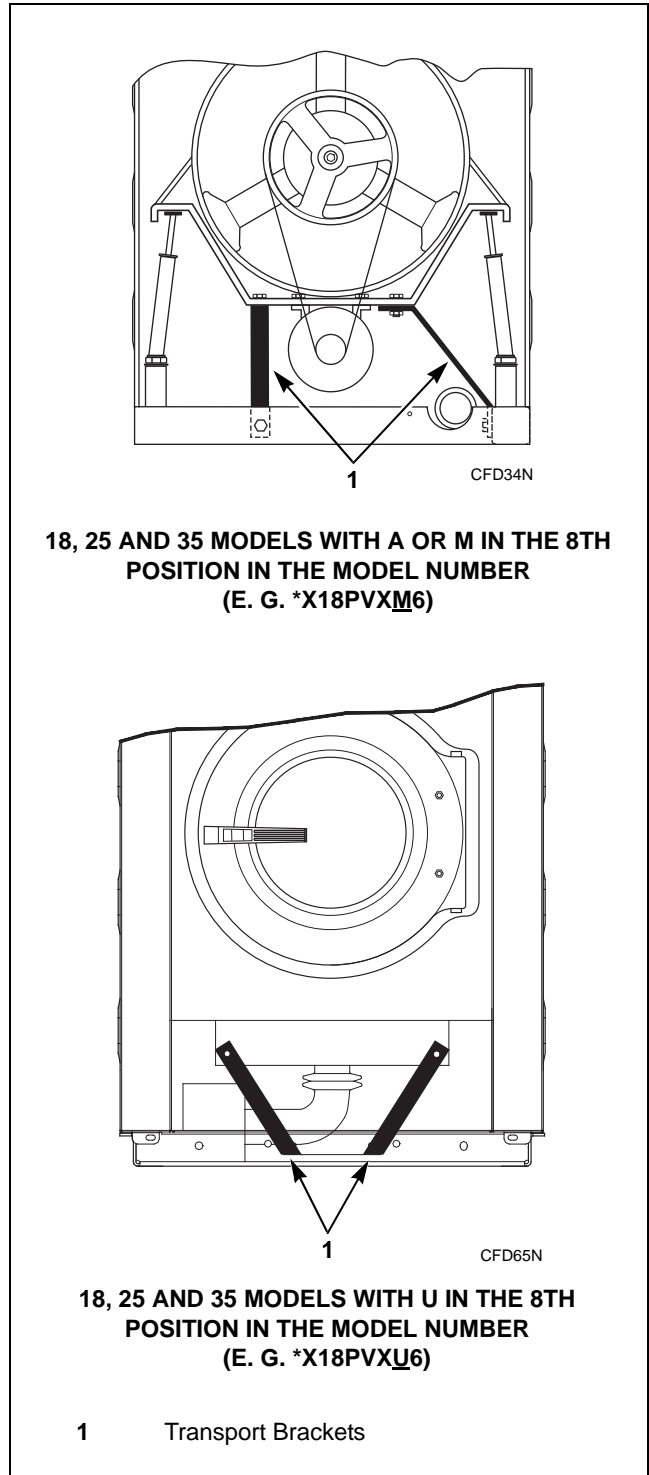


Figure 29

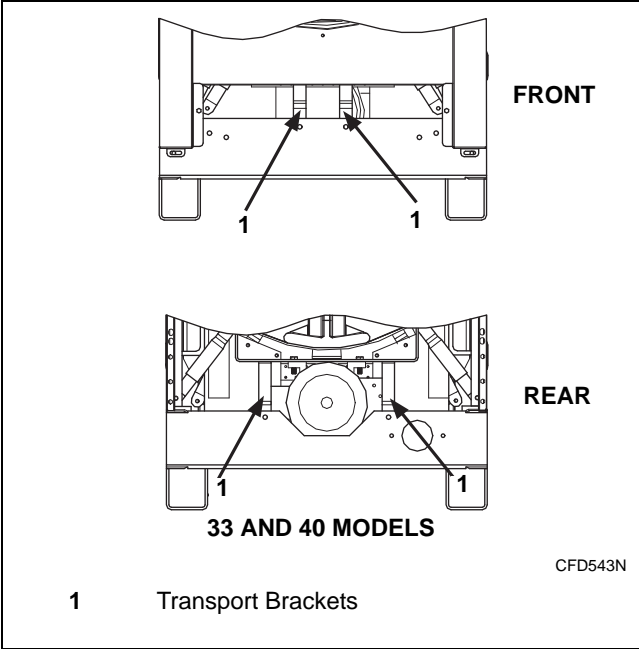


Figure 30

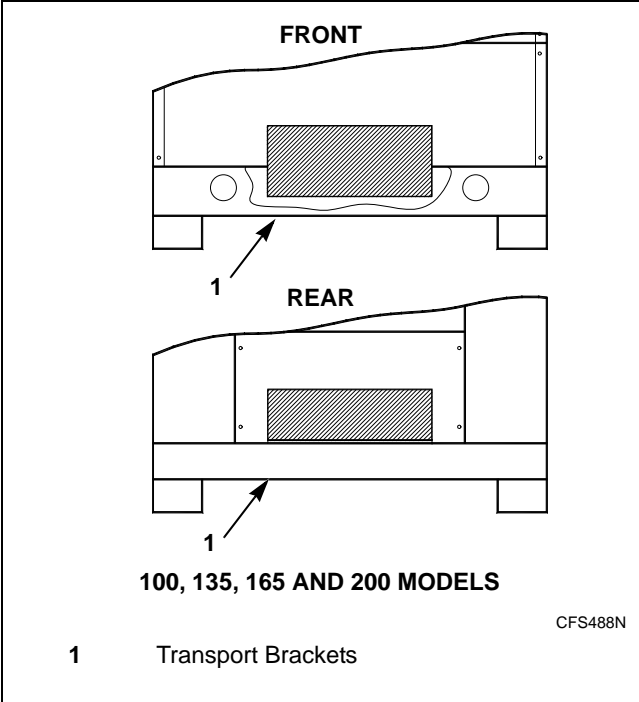


Figure 32

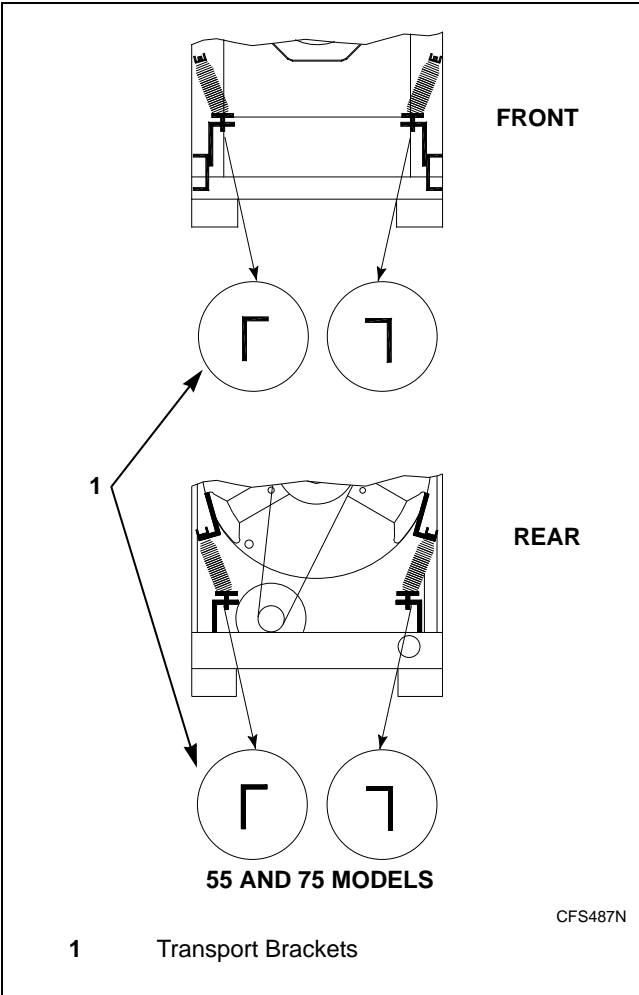


Figure 31

Installation

Drain Connection

A drain system of adequate capacity is essential to washer-extractor performance.

Ideally, the water should empty through a vented pipe directly into a sump or floor drain.

Figure 33 shows drain line and drain trough configurations.

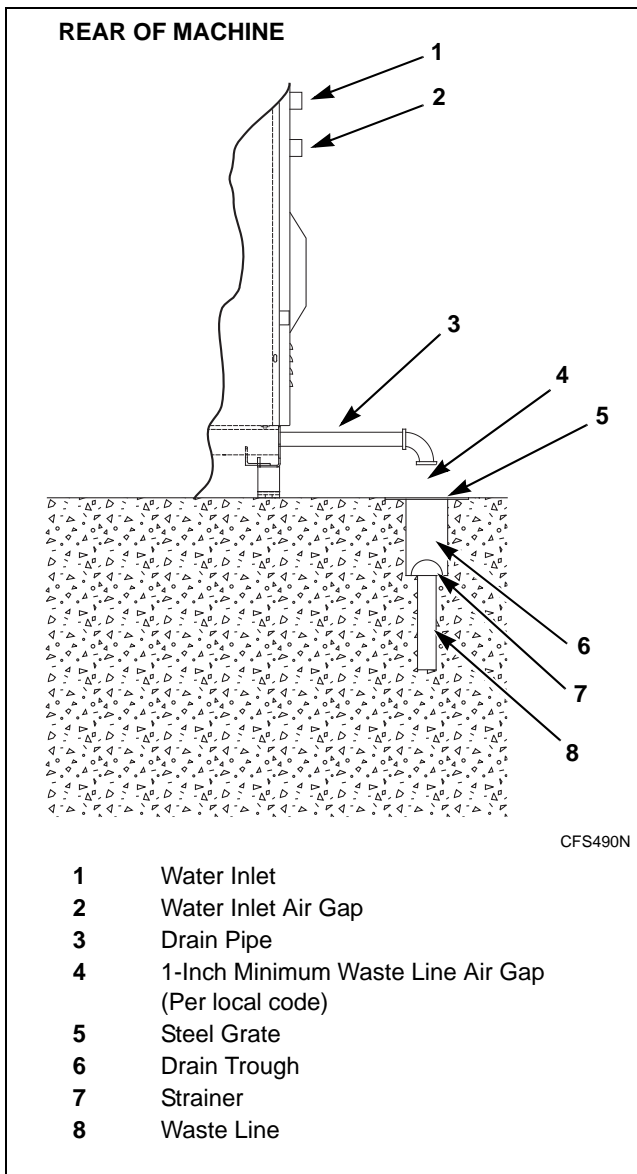


Figure 33

A flexible connection must be made to a vented or air gap drain system to prevent an air lock and to prevent siphoning. If proper drain size is not available or practical, a surge tank is required. A surge tank in conjunction with a sump pump should be used when gravity drainage is not possible, such as in below-ground-level installations.

Before any deviation from specified installation procedures is attempted, the customer or installer should contact the distributor.

Increasing the drain hose length, installing elbows, or causing bends will impair washer-extractor performance.

Refer to *Table 3* for capacity-specific drain information.

Installation of additional washer-extractors will require proportionately larger drain connections. Refer to *Table 4*.

Drain Information											
Model	18	25	33	35	40	55	75	100	135	165	200
Drain connection size, ID	2 in. (51 mm)	2 in. (51 mm)	2 in. (50 mm)	2 in. (51 mm)	2 in. (50 mm)	3 in. (76.2 mm)	3 in. (76.2 mm)	3 in. (76.2 mm)	3 in. (76.2 mm)	3 in. (76.2 mm)	3 in. (76.2 mm)
Number of drain outlets	1	1	1	1	1	1	1	1	1	2	2
Drain flow capacity	32 gal/min (120 l/min)	32 gal/min (120 l/min)	21.13 gal/min (160 l/min)	32 gal/min (120 l/min)	21.13 gal/min (160 l/min)	73 gal/min (280 l/min)	73 gal/min (280 l/min)	73 gal/min (280 l/min)	73 gal/min (280 l/min)	73 gal/min (280 l/min)	73 gal/min (280 l/min)
Recommended drain pit size	2.5 ft ³ (72 l)	3.3 ft ³ (95 l)	5.1 ft ³ (145 l)	5.8 ft ³ (165 l)	6.4 ft ³ (181 l)	8.3 ft ³ (235 l)	11 ft ³ (304 l)	16 ft ³ (455 l)	20 ft ³ (575 l)	24 ft ³ (679 l)	31.8 ft ³ (900 l)

Table 3

Drain Line Sizing Minimum Drain ID							
Model	Number of Machines						
	1	2	3	4	5	6	7
18	2 in. (51 mm)	3 in. (76.2 mm)	3.5 in. (88 mm)	4 in. (102 mm)	4.5 in. (114 mm)	5 in. (124 mm)	5.5 in. (140 mm)
25	2 in. (51 mm)	3 in. (76.2 mm)	3.5 in. (88 mm)	4 in. (102 mm)	4.5 in. (114 mm)	5 in. (124 mm)	5.5 in. (140 mm)
33	2 in. (51 mm)	3 in. (76.2 mm)	3.5 in. (88 mm)	4 in. (102 mm)	4.5 in. (114 mm)	5 in. (124 mm)	5.5 in. (140 mm)
35	2 in. (51 mm)	3 in. (76.2 mm)	3.5 in. (88 mm)	4 in. (102 mm)	4.5 in. (114 mm)	5 in. (124 mm)	5.5 in. (140 mm)
40	2 in. (51 mm)	3 in. (76.2 mm)	3.5 in. (88 mm)	4 in. (102 mm)	4.5 in. (114 mm)	5 in. (124 mm)	5.5 in. (140 mm)
55	3 in. (76.2 mm)	4 in. (102 mm)	5 in. (131 mm)	6 in. (152 mm)	6.7 in. (170 mm)	7.3 in. (186 mm)	8 in. (203 mm)
75	3 in. (76.2 mm)	4 in. (102 mm)	5 in. (131 mm)	6 in. (152 mm)	6.7 in. (170 mm)	7.3 in. (186 mm)	8 in. (203 mm)
100	3 in. (76.2 mm)	4 in. (102 mm)	6 in. (152 mm)	7 in. (177.8 mm)	8 in. (203 mm)	10 in. (254 mm)	12 in. (305 mm)
135	3 in. (76.2 mm)	4 in. (102 mm)	6 in. (152 mm)	7 in. (177.8 mm)	8 in. (203 mm)	10 in. (203 mm)	12 in. (305 mm)
165	3 in. (76.2 mm)	4 in. (102 mm)	6 in. (152 mm)	7 in. (177.8 mm)	8 in. (203 mm)	10 in. (203 mm)	12 in. (305 mm)
200	3 in. (76.2 mm)	4 in. (102 mm)	6 in. (152 mm)	7 in. (177.8 mm)	8 in. (203 mm)	10 in. (203 mm)	12 in. (305 mm)

Table 4

Installation

Water Connection

	WARNING
<p>To avoid personal injury, recommended inlet water temperature should be no higher than 125° Fahrenheit (51° Celsius).</p> <p style="text-align: right; font-size: small;">W709</p>	

The 18-135 models are delivered with hoses with 3/4 inch hose connectors. The 165 model is delivered with 3 x 1 inch and 1 x 3/4 inch hose connectors. These hoses fit the water inlet valves of the machine and the main water inlet taps. To ensure the optimal functioning of the water inlet valves, the water pressure on the inlet should be between 30-85 psi (2-5.7 bar). If the pressure is too low, the cycle time will increase considerably. In case of boiler fed machines, a maximum of hot water of 194°F (90°C) should be available:

Connections should be supplied by a hot and a cold water line per national and local codes.

To connect water service to machine with rubber hoses, use the following procedure:

1. Before installing hoses, flush the water system for at least two minutes.
2. Check filters in the washer-extractor's inlet hoses for proper fit and cleanliness before connecting.
3. Hang the hoses in a large loop, do not allow them to kink.

If additional hose length is needed use flexible hoses with screen filters. Each hose should have a screen filter installed to keep rust and other foreign particles out of the water inlet valves.


Pressure of 30-85 psi (2-5.7 bar) provides best performance. Although the washer-extractor will function at lower pressures, increased fill times will occur with some loss of supply flushing.


Suitable air cushions should be installed in supply lines to prevent "hammering."

Water Supply Information											
Model	18	25	33	35	40	55	75	100	135	165	200
Water inlet connection size	0.75 in. (19 mm)	0.75 in. (19 mm)	0.75 in. (19 mm)	0.75 in. (19 mm)	0.75 in. (19 mm)	0.75 in. (19 mm)	0.75 in. (19 mm)	0.75 in. (19 mm)	0.75 in. (19 mm)	1.0 in. (25 mm)	0.75 and 1.0 in. (19 and 25 mm)
Number of water inlets (standard)	3	3	3	3	3	3	3	4	4	4	4
Recommended pressure	30-85 psi (2-5.7 bar)	30-85 psi (2-5.7 bar)	30-85 psi (2-5.7 bar)	30-85 psi (2-5.7 bar)	30-85 psi (2-5.7 bar)	30-85 psi (2-5.7 bar)	30-85 psi (2-5.7 bar)	30-85 psi (2-5.7 bar)	30-85 psi (2-5.7 bar)	30-85 psi (2-5.7 bar)	30-85 psi (2-5.7 bar)
Inlet flow capacity	5.3 gal/ min (20 l/ min)	5.3 gal/ min (20 l/ min)	5.3 gal/ min (20 l/ min)	5.3 gal/ min (20 l/ min)	5.3 gal/ min (20 l/ min)	12 gal/ min (45 l/ min)	12 gal/ min (45 l/ min)	12 gal/ min (45 l/ min)	12 gal/ min (45 l/ min)	25 gal/ min (95 l/ min)	25 gal/ min (95 l/ min)

Table 5

Electrical Installation

	WARNING
<p>Hazardous Voltage. Can cause shock, burn or cause death. Allow machine power to remain off for two minutes prior to working in and around AC inverter drive.</p>	
W359	


	WARNING
<p>Hazardous Voltage. Can cause shock, burn or death. Verify that a ground wire from a proven earth ground is connected to the lug near the input power block on this machine.</p>	
W360	

The AC inverter drive requires a clean power supply free from voltage spikes and surges. A voltage monitor should be used to check incoming power. The customer's local power company may provide such a monitor.

If input voltage measures above 240V for a 220V drive or above 480V for a 400V drive, ask the power company to lower the voltage. As an alternative, a step-down transformer kit is available from the distributor.

The AC drive provides overload protection for the drive motor. However, a separate single or three phase circuit breaker must be installed for complete electrical overload protection. This prevents damage to the motor by disconnecting all legs if one should be lost accidentally. Check the data plate on the back of the washer-extractor or consult *Table 6* for circuit breaker requirements.

IMPORTANT: Do NOT use fuses in place of a circuit breaker.

	DANGER
<p>Do not use a phase adder on any variable-speed machine.</p>	
W490	

The washer-extractor should be connected to an individual branch circuit not shared with lighting or other equipment.

The connection should be shielded in a liquid tight or approved flexible conduit with proper conductors of correct size installed in accordance with the National Electric Code or other applicable codes. The connection must be made by a qualified electrician using the wiring diagram provided with the washer-extractor, or according to accepted European standards for CE-approved equipment.

Use wire sizes indicated in *Table 6* for runs up to 50 feet.

Use next larger size for runs of 50 to 100 feet. Use two sizes larger for runs greater than 100 feet.

For personal safety and proper operation, the washer-extractor must be grounded in accordance with state and local codes. If such codes are not available, grounding must conform with the National Electric Code, article 250-95. The ground connection must be made to a proven earth ground, not to conduit or water pipes.

IMPORTANT: Alliance Laundry Systems Warranty does not cover components that fail as a result of improper input voltage.

Installation

Electrical Specifications											
Voltage Designation						Standard			Electric Heat		
Model	Code	Voltage	Cycle	Phase	Wire	Full Load Amps	Circuit Breaker	AWG /mm ²	Full Load Amps (Heating Element kW)	Circuit Breaker	AWG /mm ²
18	N	440-480	50/60	3	3+PE	6	15	14/2.5	20	25	10/6.0
	P	380-415	50/60	3	3+N+PE	Not available			17	20	12/4.0
	Q	200-240	50/60	3	3+PE	Not available			28	30	10/6.0
	X	200-240	50/60	1/3	2/3+PE	10	15	14/2.5	Not available		
25	N	440-480	50/60	3	3+PE	6	15	14/2.5	21	25	10/6.0
	P	380-415	50/60	3	3+N+PE	Not available			18	20	12/4.0
	Q	200-240	50/60	3	3+PE	Not available			29	30	10/6.0
	X	200-240	50/60	1/3	2/3+PE	10	15	14/2.5	Not available		
33	N	440-480	50/60	3	3+PE	6	15	14/2.5	32	40	8/10.0
	P	380-415	50/60	3	3+N+PE	18	20	12/4.0	44	50	8/10.0
	Q	200-240	50/60	3	3+PE	18	20	12/4.0	63	70	4/25.0
	X	200-240	50/60	1/3	2/3+PE	18	20	12/4.0	Not available		
35	N	440-480	50/60	3	3+PE	12	15	14/2.5	41	50	8/10.0
	P	380-415	50/60	3	3+N+PE	Not available			36	40	8/10.0
	Q	200-240	50/60	3	3+PE	Not available			58	60	6/16.0
	X	200-240	50/60	1/3	2/3+PE	12	15	14/2.5	Not available		
40	N	440-480	50/60	3	3+PE	6	15	14/2.5	32	40	8/10.0
	P	380-415	50/60	3	3+N+PE	18	20	12/4.0	44	50	8/10.0
	Q	200-240	50/60	3	3+PE	18	20	12/4.0	63	70	4/25.0
	X	200-240	50/60	1/3	2/3+PE	18	20	12/4.0	Not available		
55	N	440-480	50/60	3	3+PE	12	15	14/2.5	41	50	8/10.0
	P	380-415	50/60	3	3+N+PE	Not available			36	40	8/10.0
	Q	200-240	50/60	3	3+PE	Not available			58	60	6/16.0
	X	200-240	50/60	1/3	2/3+PE	16	20	14/2.5	Not available		
75	N	440-480	50/60	3	3+PE	12	15	14/2.5	41	50	8/10.0
	P	380-415	50/60	3	3+N+PE	12	15	14/2.5	36	40	8/10.0
	Q	200-240	50/60	3	3+PE	15	20	12/4.0	58	60	6/16.0
100	N	440-480	50/60	3	3+PE	17	20	12/4.0	62	70	4/25.0
	P	380-415	50/60	3	3+N+PE	17	20	12/4.0	55	60	6/16.0
	Q	200-240	50/60	3	3+PE	18	25	10/6.0	88	90	3/35.0
135	N	440-480	50/60	3	3+PE	17	25	10/6.0	62	70	4/25.0
	P	380-415	50/60	3	3+N+PE	17	25	10/6.0	55	60	6/16.0
	Q	200-240	50/60	3	3+PE	20	30	10/6.0	88	90	3/35.0

Table 6 (continued)

Table 6 (continued)

Electrical Specifications											
Voltage Designation						Standard			Electric Heat		
Model	Code	Voltage	Cycle	Phase	Wire	Full Load Amps	Circuit Breaker	AWG /mm ²	Full Load Amps (Heating Element kW)	Circuit Breaker	AWG /mm ²
165	N	440-480	50/60	3	3+PE	20	25	10/6.0	41 (9x3 kW)	63	8/10.0
									52 (9x4 kW)		
	P	380-415	50/60	3	3+N+PE	20	25	10/6.0	50 (9x3 kW)	63	8/10.0
200	N	440-480	50/60	3	3+PE	19	25	10/6.0	42 (9x3 kW)	63	8/10.0
									53 (9x4 kW)		
	P	380-415	50/60	3	3+N+PE	18	25	10/6.0	51 (9x3 kW)	63	8/10.0
Q	200-240	50/60	3	3+PE	32	40	8/10.0	76 (9x3 kW)	100	4/25.0	
									61 (9x4 kW)	80	6/16.0
									77 (9x3 kW)	100	4/25.0

Table 6

Installation


Electrical Connection

Remove the cover plate at the back of the machine. Using copper conductors only, connect the power cable to the connectors. Refer to the instructions listed on the machine's decal on how to connect the machine.

After electrical installation is complete, run the machine through a test cycle and check for clockwise basket rotation during the extract step. If rotation is not clockwise, disconnect the power from the machine and have a qualified electrician reverse any 2 motor leads at the AC drive terminal block.

Remote Liquid Supply Connection

Chemical Injection Supply System

	WARNING
<p>Dangerous Chemicals. May damage eyes and skin. Wear eye and hand protection when handling chemicals; always avoid direct contact with raw chemicals. Read the manufacturer's directions for accidental contact before handling chemicals. Ensure an eye-rinse facility and an emergency shower are within easy reach. Check at regular intervals for chemical leaks.</p>	
<small>W363</small>	

Undiluted chemical dripping can damage the machine. Therefore, all chemical supply dispenser pumps should be mounted below the washer's injection point. All dispenser tubing should also run below the injection point. Loops do not prevent drips if these instructions are not followed. Failure to follow these instructions could damage the machine and void the warranty.

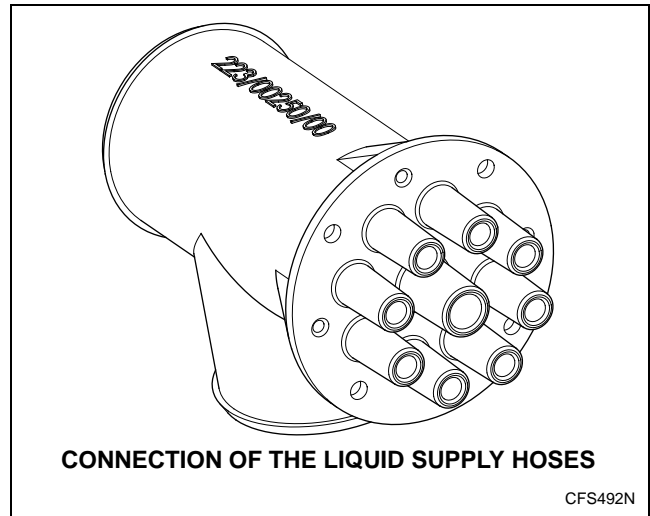




Figure 34

A connection has been placed at the back of the machine. There are nine holes in this connection, through each of which a liquid supply hose can be connected.

	CAUTION
<p>Drill out plugs and nipples before making supply hose connection. Failure to do so can cause buildup of pressure and risk a tubing rupture.</p>	
<small>W491</small>	

Steam Requirements (Steam Heat Option Only)

For washer-extractors equipped with optional steam heat, install piping in accordance with approved commercial steam practices. Steam requirements are shown in *Table 7*.

	WARNING
<p>Never touch internal or external steam pipes, connections, or components. These surfaces can be extremely hot and will cause severe burns. The steam must be turned off and the pipe, connections, and components allowed to cool before the pipe can be touched.</p>	
SW014	

Steam Supply Information			
	18-75	100/135	165/200
Steam inlet connection, in (mm)	3/8 (10)	1/2 (13)	3/4 (19)
Number of steam inlets	1	1	1
Recommended pressure, psi (bar)	30 – 80 (2.0 – 5.5)	30 – 80 (2.0 – 5.5)	30 – 80 (2.0 – 5.5)
Maximum pressure, psi (bar)	80 (5.5)	80 (5.5)	80 (5.5)

Table 7

Installation

Supply Programming Table

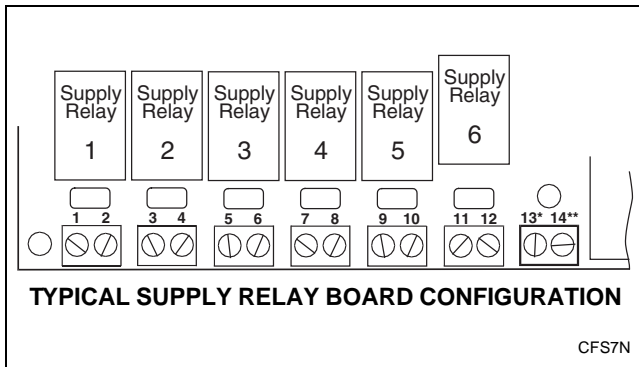
When programming a supply step on the WE-8, choose between 9 different supply steps. Refer to *Table 8*.

Supply 1	Turns on the water valve in compartment A of the supply box.
Supply 2	Turns on the water valve in compartment B of the supply box.
Supply 3	Turns on the water valve in compartment C of the supply box.
Supply 4	Activates supply relay 1.
Supply 5	Activates supply relay 2.
Supply 6	Activates supply relay 3.
Supply 7	Activates supply relay 4.
Supply 8	Activates supply relay 5.
Supply 9	Activates supply relay 6.

Table 8

NOTE: The Supply button is button 6.

Supply Relay Configuration (No Wiring)



* L1 (220 VAC) wire or terminal for remote liquid supply connection.

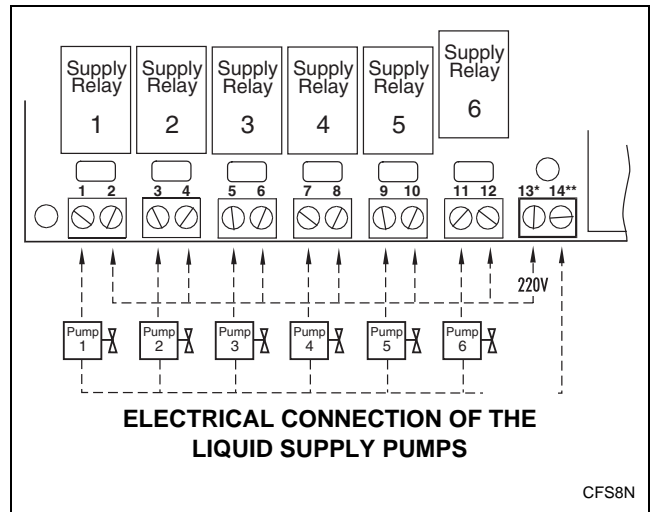
** L2 common wire (220 VAC) or terminal for remote liquid supply connection.

Figure 35

The supply relay board is set up to give NO Voltage AC output to the respective terminals. It is a dry contact closure of the relay. The voltage applied must be supplied with the jumper configurations. Refer to *Figure 36*.

Primary 220 Volt Remote Liquid Supply Connection

IMPORTANT: When programming a supply step, supplies 1, 2 and 3 DO NOT control the relays shown on *Figure 36*. Programming supply 1, 2 or 3 ONLY activates water in compartment A, B or C. Programming supply 4 activates relay 1. Programming supply 5 on the WE-8 will activate supply relay 2, etc. Programming supply 4-9 on the WE-8 will activate supply relay 1-6 on the board, respectively. Refer to *Table 8*.



* L1 (220 VAC) wire or terminal for remote liquid supply connection.

** L2 common wire (220 VAC) or terminal for remote liquid supply connection.

Figure 36

Supply relay 1 controls terminals 1 and 2. *Figure 36* shows the jumper wire from terminal 13 (L1 220 VAC) to all other even pins (i.e., 2, 4, 6...). This applies L1 (220 VAC) to terminal 2. When supply 4 on the WE-8 is programmed, this will close supply relay 1 and apply L1 (220 VAC) through pin 2 to pin 1. This signal is used from the terminal to the chemical supply vendors first pump.

IMPORTANT: Supply 4 must be programmed on the WE-8 to create the signal on terminal 1. The chemical vendor will always use terminal 14 as the common terminal for all pumps. This will apply for the remainder of the 220 VAC circuit for each of the pump signals. For the remainder of the relays, supply relay 2 will control terminals 3 and 4; supply relay 3 will control terminals 5 and 6; etc.

IMPORTANT: The WE-8 must be programmed for supply 4-9 to energize the supply relays 1-6 respectively.

Primary 220 Volt Remote Liquid Supply Connection (Continued)

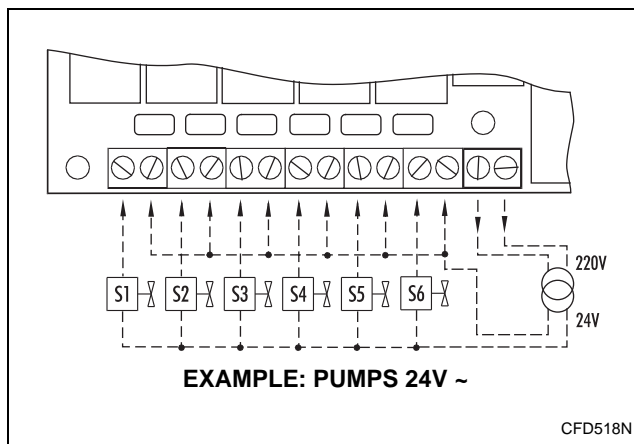


Figure 37

The 220V can be transformed to other values to drive other type supply pumps.

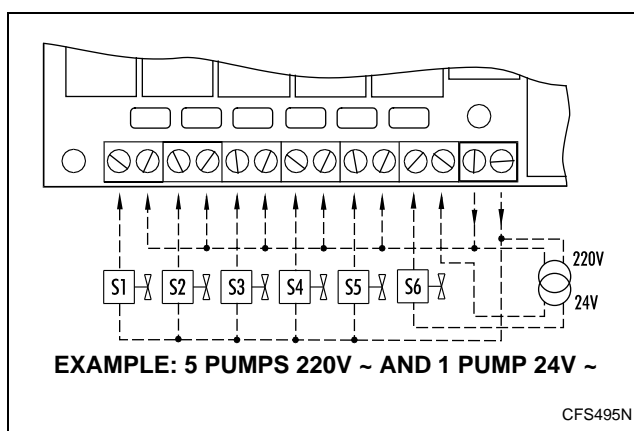


Figure 38

Also, pumps with different operating voltage requirements can be combined.

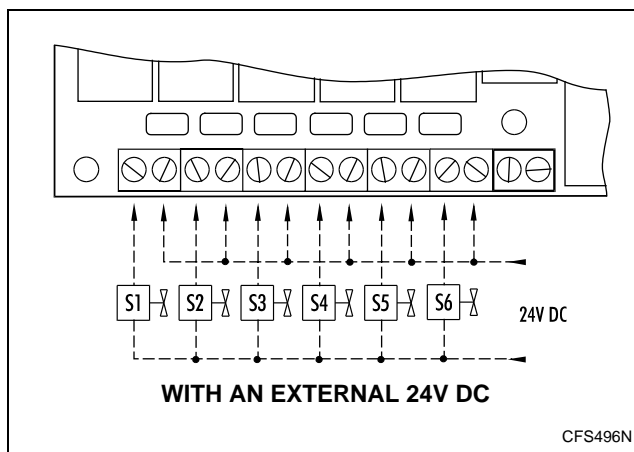


Figure 39

Installation

Out-of-Balance Switch

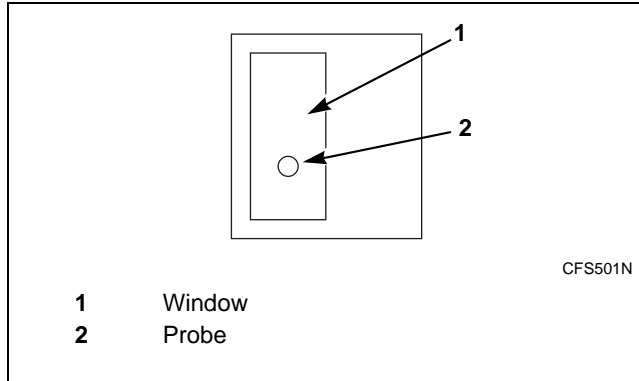


Figure 40

The out-of-balance switch is mounted on the upper right side on the back of the control panel. There is a window around the probe of the switch that is mounted on the movable part of the machine.

When the machine goes out of balance by overloading or uneven distribution of the linen, the out-of-balance switch will interrupt this action to prevent damage to the machine.

IMPORTANT: To guarantee good functioning, the probe should be centered horizontally and vertically at 1/3 from the bottom of the tilt window (when machine drum is empty).

Automatic Lubricator

Only for 75-200 Models

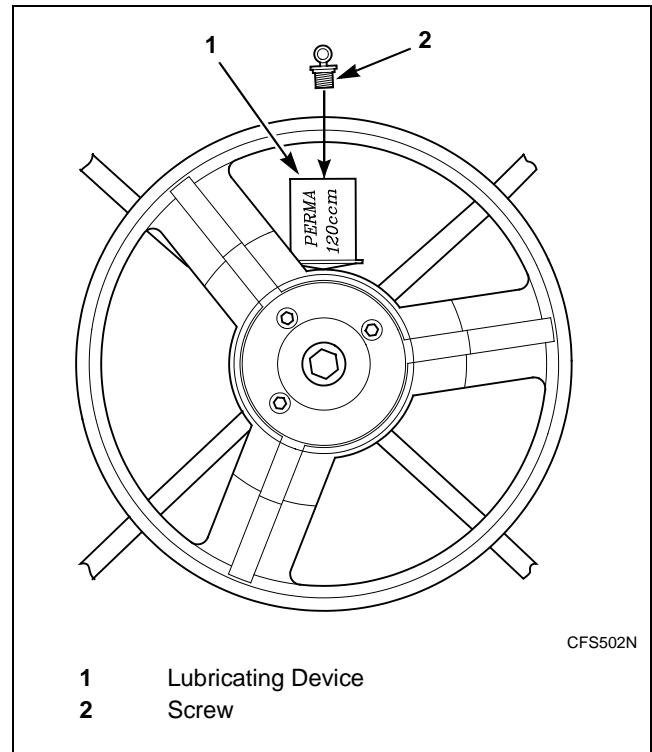


Figure 41

The bearing house of the machine is equipped with a lubricating device (1) which automatically lubricates the bearing during one year. Upon delivery of the machine, this lubricator has been brought into use. When replacing, please put on the matching screw (2) in the foreseen opening of the lubricator to activate.

Refer to the machine's Parts Manual for lubricating device parts in formation.

	WARNING
Ignoring this instruction will inevitably cause damage to the bearings and void the warranty!	
W492	

Control Function Test

The washer-extractor should be cleaned after the installation is complete. A function test should then be executed on the unloaded machine:

1. Verify that power supply voltage and phase are correct in accordance with the washer-extractor's requirements.
2. Open manual shut-off valves to the washer-extractor.
3. Press the Emergency Stop button.
4. Apply power to the washer-extractor.
5. Release the Emergency Stop button.
6. Check the door interlock before starting operation:
 - a. Attempt to start the washer with the door open. The washer-extractor should not start with the door open.

- b. Close the door without locking it and attempt to start the washer. The washer should not start with the door unlocked.
- c. Close and lock the door and start a cycle. Attempt to open the door while the cycle is in progress. The door should not open.

If the door lock and interlock are not functioning properly, call a service technician.

7. For standard processing, select Cycle 01 by pressing key 0 and key 1 on the keypad. Then press the Start key (or run factory test cycle 39 by pressing key 3, key 9 and Start key).

Run a complete cycle, checking operation of water inlet valves, drain, and extract functions.

8. Cylinder rotation must be clockwise in an extract step for all models. If rotation is not correct, disconnect power. A qualified electrician must reverse any two leads between the AC drive and the main drive motor. Refer to *Figure 42*.

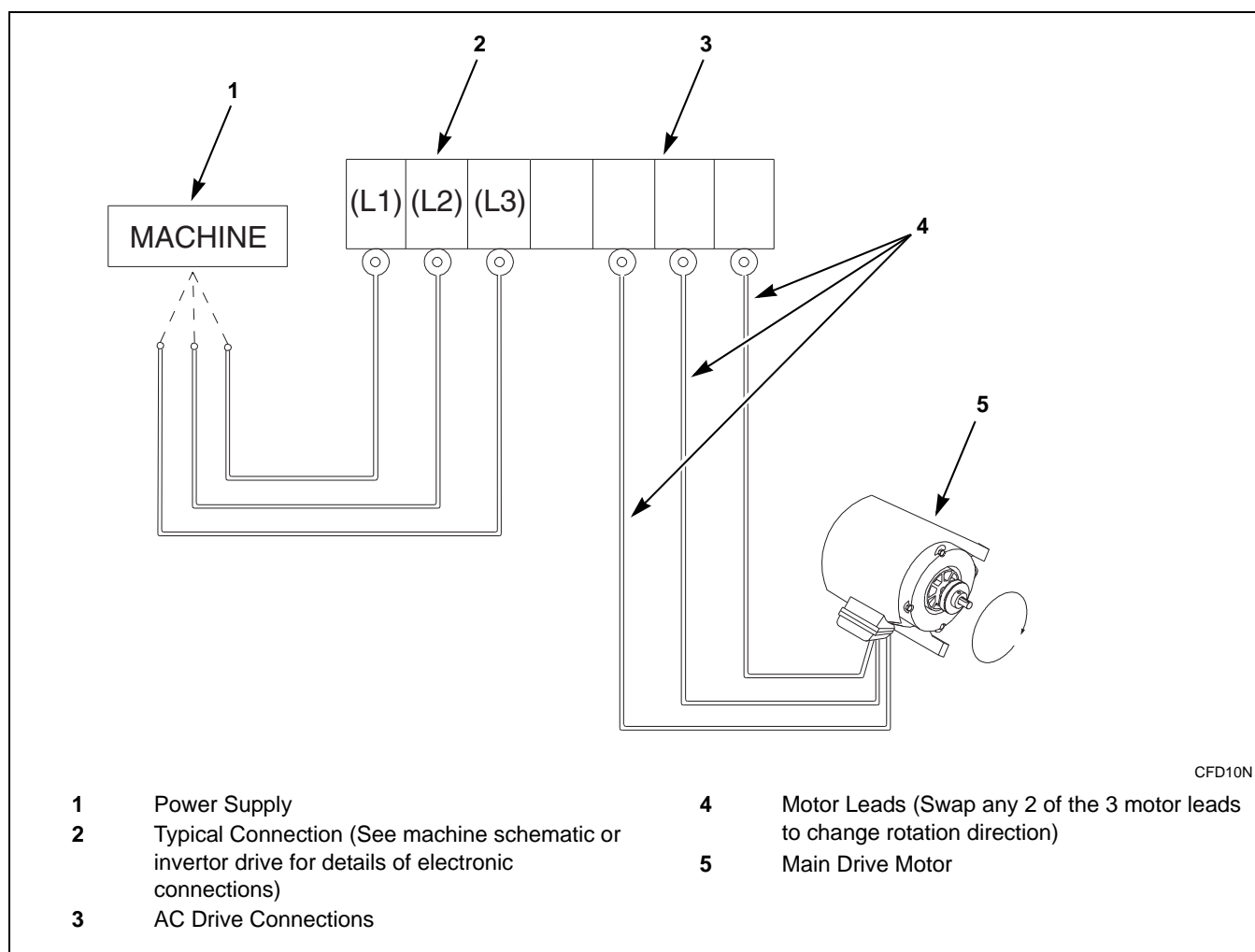


Figure 42