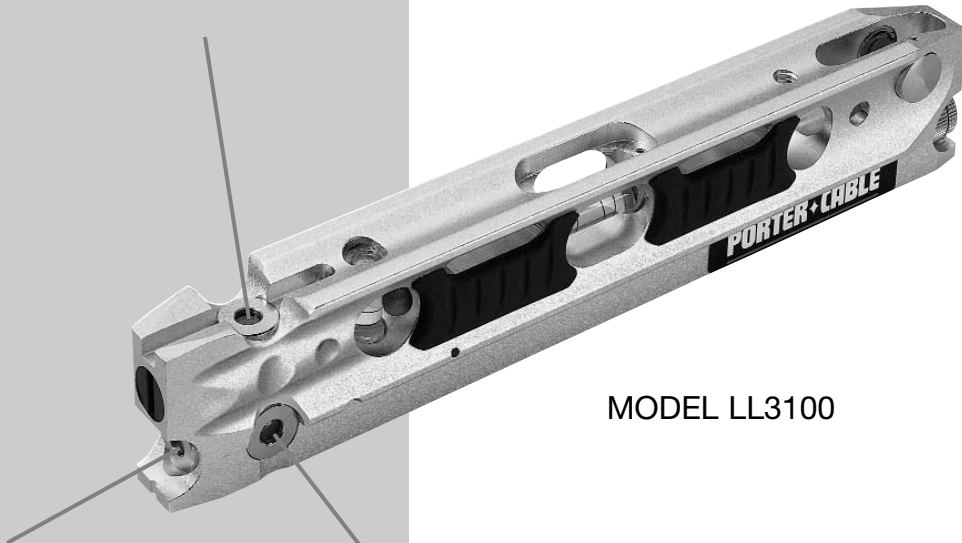


Instruction manual

ESPAÑOL: PÁGINA 9
FRANÇAISE : PAGE 19

LASER LEVEL

3-BEAM, SQUARE & PLUMB LASER



MODEL LL3100

Patents Pending. Engineered in USA.
Manufactured in PRC.

IMPORTANT

Please make certain that the person who is to use this equipment carefully reads and understands these instructions before starting operations.

To learn more about Porter-Cable visit our website at:

<http://www.porter-cable.com>

PORTER-CABLE
PROFESSIONAL POWER TOOLS

Copyright © 2002 Porter-Cable Corporation

The Model and Serial No. plate is located on the main housing of the tool. Record these numbers in the spaces below and retain for future reference.

Model No. _____

Type _____

Serial No. _____

Part No. 905067 - 03-21-02

GENERAL SAFETY RULES

ELECTRICAL SAFETY

1. **Use battery operated laser level with alkaline batteries only.** Use of any other batteries may permanently damage the laser level.

PERSONAL SAFETY

1. **Stay alert, watch what you are doing, and use common sense when operating a laser. Do not use laser level while tired or under the influence of drugs, alcohol, or medication.** A moment of inattention while operating a laser may result in personal injury.

2. **Use safety equipment.** Eye protection, dust mask, non-skid safety shoes, hard hat, or hearing protection must be used for appropriate conditions.

TOOL USE AND CARE

1. **Do not use laser level if switch does not turn it on or off.** A laser that cannot be controlled with the switch is dangerous and must be repaired.

2. **Store idle laser level out of reach of children and other untrained persons.** Laser levels should only be used by trained users.

3. **Use only accessories that are recommended by the manufacturer for your model.** Accessories that may be suitable for one laser level may create a risk of injury when used on another laser level.

SERVICE

1. **Laser level service must be performed only by qualified repair personnel.** Service or maintenance performed by unqualified personnel may result in a risk of injury.

2. **When servicing a laser level, use only identical replacement parts. Follow instructions in the Maintenance Section of this manual.** Use of unauthorized parts or failure to follow Maintenance Instructions may create a risk of shock or injury.

SPECIFIC SAFETY RULES

1. **Be aware that the laser level is always in an operating condition, because it does not have to be plugged into an electrical outlet.** Always set the switch to the "OFF" position when installing or removing the batteries.

2. **⚠ WARNING: There are certain applications for which this laser level was designed.** Porter-Cable strongly recommends that this laser level NOT be modified and/or used for any application other than for which it was designed. If you have any questions relative to its application DO NOT use the Laser Level until you have written Porter-Cable and we have advised you.

Technical Service Manager
Porter-Cable Corporation
4825 Highway 45 North
Jackson, TN 38305

FUNCTIONAL DESCRIPTION

FOREWORD

Porter-Cable Model LL3100 Laser Level is a time-saving precision laser level of superior quality and is easy to use. Turn on the laser level and you have three, perfectly square beams for level, plumb and square applications.

ASSEMBLY

1. User Safety



AVOID EXPOSURE: Laser radiation is emitted from this aperture. This symbol is attached to the the laser level and references every aperture.



Important: These labels are attached to every laser level. They are not to be removed or defaced.

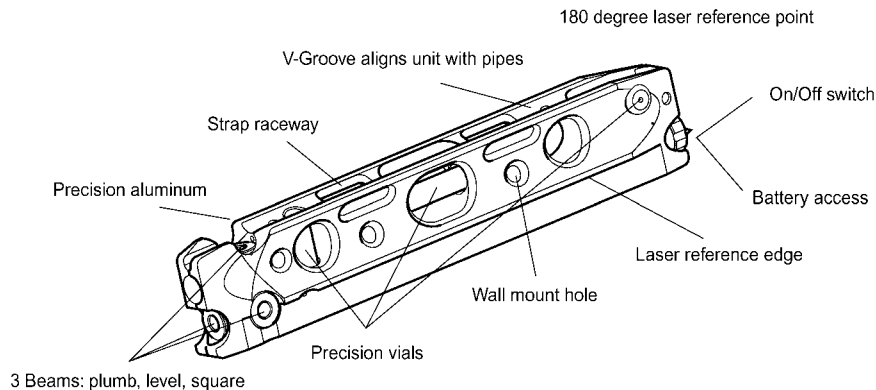
Caution: Use of controls, adjustments or procedures other than those specified herein may result in laser radiation exposure. Never stare directly into beam or view directly with optical instruments.

Do not disassemble or attempt to perform any internal servicing. Repairs or service to this device are to be performed by authorized service centers only.

Do not aim the laser beams in the laser level at others. The laser level contains a semiconductor laser diode with a wavelength of 635 nanometers. The continuous output of any single beam never exceeds 1.0 milliwatts.

The laser level complies with US FDA performance standards, 21 CFR, Subchapter J.

2. Laser Level Features



OPERATION

3. How to use Laser Level

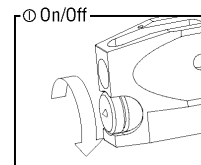
Introduction:

Congratulations! You have just purchased a time-saving precision laser tool of superior quality. The laser level is both precise and easy to use. Simply turn the laser level on and you have three, perfectly square beams for your level, plumb and square applications. Use the bubble vials to manually level your new laser level.

Turning laser level on and off:

To turn the laser level on, turn the knob on the back of the unit clockwise.

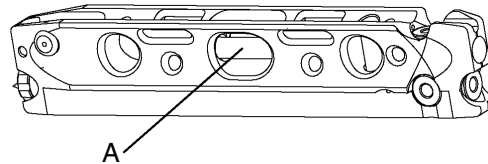
To turn the laser level off, turn the knob counter clockwise to the original position.



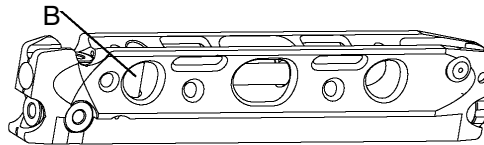
Leveling laser level:

The laser level has three 90° beams that can be used to level, plumb and square.

When the laser level is in the horizontal orientation the bubble in the bubble vial (A) in the middle of the unit must be centered.

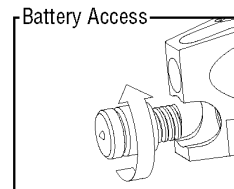


When the laser level is in the vertical orientation the bubble in the bubble vial (B) closest to the beams must be centered.



Battery Replacement:

Turn on/off switch on the back of the laser level in the counter-clockwise direction and completely unscrew the switch. This will provide you access to the battery compartment. Replace all three batteries and then return the switch to the original position.



Note: Alkaline batteries offer the longest battery life when used in this device.

Attaching laser level:

1/4" x 20 Tripod Mount: Use the threaded hole in the base to mount the laser level to a camera, contractor's or surveyor's tripod.

Strap Raceways: Use straps (not included) to fasten the laser level to pipes, studs, etc.

Magnetic Base: Use the magnetic base to lock the laser level on to metal studs and pipes.

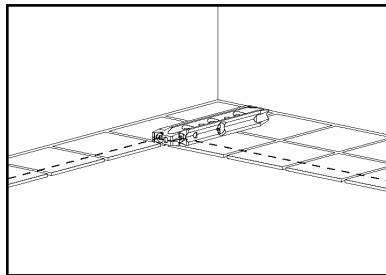
V-Groove: Use the v-groove to align the laser level on pipes up to 10" in diameter.

4. Product Applications

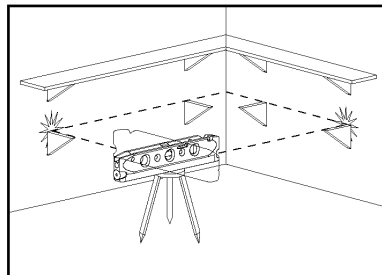
The laser level has three 90° beams that can be used to level, plumb and square.

Applications include:

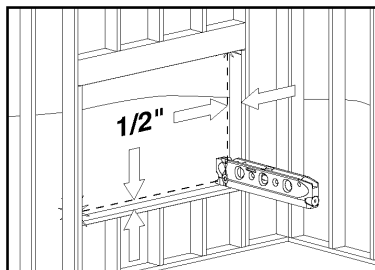
Flooring installations, leveling shelves and cabinets, squaring windows and door frames, aligning forms and posts, determining elevation differences and more.



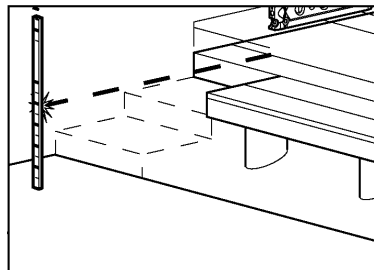
Flooring Installations



Leveling Shelves & Cabinets



Squaring Windows & Door Frames



Grading Elevations

5. Product Specifications

Accuracy: +/- 1/4" @ 75'

Manual Leveling: 3 bubble vials

Range: Laser visibility – up to 100'

Tripod Mount: 1/4" x 20 (can be used without tripod; tripod not included)

Laser Diode: Class II, 635nm

Environmental: Dust, dirt and water resistant

Power Supply: 3 "AAA" batteries (not included)

Made In China

6. Care and Maintenance

This device is a product of superior design and manufacture and should be treated with care. The suggestions below will help you fulfill warranty obligations and also allow you to enjoy this product for many years. When using the device:

Keep it and all its parts and accessories out of the reach of small children.

Keep it dry. Although the laser level is water resistant, precipitation, humidity and liquids containing minerals that will corrode electrical circuits can still enter the device.

Do not store the laser level in hot areas. High temperatures can shorten the life of electronic devices, damage batteries and warp or melt certain plastics.

Do not store the laser level in cold areas. When the device warms up to its normal operating temperature, moisture can form inside, where it may damage circuit boards.

Although the laser level is dust and dirt resistant do not store in dusty, dirty areas as long term exposure to these elements may damage internal moving parts.

GENERAL MAINTENANCE

KEEP TOOL CLEAN

All plastic parts should be cleaned with a soft damp cloth. NEVER use solvents to clean plastic parts. They could very possibly dissolve or otherwise damage the material.

FAILURE TO START

Should your laser level fail to operate, make sure batteries are charged and properly installed.

BATTERY

The batteries will discharge if stored for long periods of time, and may require replacement before use.


SERVICE AND REPAIRS

All quality tools will eventually require servicing or replacement of parts due to wear from normal use. These operations, should ONLY be performed by either an AUTHORIZED PORTER-CABLE SERVICE STATION or a PORTER-CABLE • DELTA FACTORY SERVICE CENTER. All repairs made by these agencies are fully guaranteed against defective material and workmanship. We cannot guarantee repairs made or attempted by anyone other than these agencies.

Should you have any questions about your laser level, feel free to write us at any time. In any communications, please give all information shown on the nameplate of your laser level (model number, type, serial number, etc.).

ACCESSORIES

A complete line of accessories is available from your Porter-Cable Supplier, Porter-Cable • Delta Factory Service Centers, and Porter-Cable Authorized Service Stations. Please visit our Web Site www.porter-cable.com for a catalog or for the name of your nearest supplier.

 **WARNING:** Since accessories other than those offered by Porter-Cable have not been tested with this product use of such accessories could be hazardous. For safest operation, only Porter-Cable recommended accessories should be used with this product.

PORTER-CABLE LIMITED ONE YEAR WARRANTY

Porter-Cable warrants its Professional Power Tools for a period of one year from the date of original purchase. We will repair or replace at our option, any part or parts of the product and accessories covered under this warranty which, after examination, proves to be defective in workmanship or material during the warranty period. For repair or replacement return the complete tool or accessory, transportation prepaid, to your nearest Porter-Cable Service Center or Authorized Service Station. Proof of purchase may be required. This warranty does not apply to repair or replacement required due to misuse, abuse, normal wear and tear or repairs attempted or made by other than our Service Centers or Authorized Service Stations.

ANY IMPLIED WARRANTY, INCLUDING THE IMPLIED WARRANTIES OF MERCHANTABILITY AND FITNESS FOR A PARTICULAR PURPOSE, WILL LAST ONLY FOR ONE (1) YEAR FROM THE DATE OF PURCHASE.

To obtain information on warranty performance please write to: PORTER-CABLE CORPORATION, 4825 Highway 45 North, Jackson, Tennessee 38305; Attention: Product Service. THE FOREGOING OBLIGATION IS PORTER-CABLE'S SOLE LIABILITY UNDER THIS OR ANY IMPLIED WARRANTY AND UNDER NO CIRCUMSTANCES SHALL PORTER-CABLE BE LIABLE FOR ANY INCIDENTAL OR CONSEQUENTIAL DAMAGES. Some states do not allow limitations on how long an implied warranty lasts or the exclusion or limitation of incidental or consequential damages, so the above limitation or exclusion may not apply to you.

This warranty gives you specific legal rights and you may also have other legal rights which vary from state to state.

**PORTER-CABLE • DELTA SERVICE CENTERS
(CENTROS DE SERVICIO DE PORTER-CABLE • DELTA)
(CENTRE DE SERVICE PORTER-CABLE • DELTA)**

**Parts and Repair Service for Porter-Cable • Delta Power Tools are Available at These Locations
(Obtenga Refaccion de Partes o Servicio para su Herramienta en los Siguietes Centros de Porter-Cable • Delta)
(Locations où vous trouvez les pièces de rechange nécessaires ainsi qu'un service d'entretien)**

<p>ARIZONA Tempe 85282 (Phoenix) 2400 West Southern Avenue Suite 105 Phone: (602) 437-1200 Fax: (602) 437-2200</p> <p>CALIFORNIA Ontario 91761 (Los Angeles) 3949A East Guasti Road Phone: (909) 390-5555 Fax: (909) 390-5554 San Leandro 94577 (Oakland) 3039 Teagarden Street Phone: (510) 357-9762 Fax: (510) 357-7939</p> <p>COLORADO Arvada 80003 (Denver) 8175 Sheridan Boulevard, Unit S Phone: (303) 487-1809 Fax: (303) 487-1868</p> <p>FLORIDA Davie 33314 (Miami) 4343 South State Rd. 7 (441) Unit #107 Phone: (954) 321-6635 Fax: (954) 321-6638 Tampa 33609 4538 W. Kennedy Boulevard Phone: (813) 877-9585 Fax: (813) 289-7948</p> <p>GEORGIA Forest Park 30297 (Atlanta) 5442 Frontage Road, Suite 112 Phone: (404) 608-0006 Fax: (404) 608-1123</p>	<p>ILLINOIS Addison 60101 (Chicago) 400 South Rohlwing Road Phone: (630) 424-8805 Fax: (630) 424-8895 Woodridge 60517 (Chicago) 2033 West 75th Street Phone: (630) 910-9200 Fax: (630) 910-0360</p> <p>MARYLAND Elkridge 21075 (Baltimore) 7397-102 Washington Blvd. Phone: (410) 799-9394 Fax: (410) 799-9398</p> <p>MASSACHUSETTS Braintree 02185 (Boston) 719 Granite Street Phone: (781) 848-9810 Fax: (781) 848-6759 Franklin 02038 (Boston) Franklin Industrial Park 101E Constitution Blvd. Phone: (508) 520-8802 Fax: (508) 528-8089</p> <p>MICHIGAN Madison Heights 48071 (Detroit) 30475 Stephenson Highway Phone: (248) 597-5000 Fax: (248) 597-5004</p> <p>MINNESOTA Minneapolis 55429 5522 Lakeland Avenue North Phone: (763) 561-9080 Fax: (763) 561-0653</p>	<p>MISSOURI North Kansas City 64116 1141 Swift Avenue P.O. Box 12393 Phone: (816) 221-2070 Fax: (816) 221-2897 St. Louis 63119 7574 Watson Road Phone: (314) 968-8950 Fax: (314) 968-2790</p> <p>NEW YORK Flushing 11365-1595 (N.Y.C.) 175-25 Horace Harding Expwy. Phone: (718) 225-2040 Fax: (718) 423-9619</p> <p>NORTH CAROLINA Charlotte 28270 9129 Monroe Road, Suite 115 Phone: (704) 841-1176 Fax: (704) 708-4625</p> <p>OHIO Columbus 43214 4560 Indianola Avenue Phone: (614) 263-0929 Fax: (614) 263-1238 Cleveland 44125 8001 Sweet Valley Drive Unit #19 Phone: (216) 447-9030 Fax: (216) 447-3097</p>	<p>OREGON Portland 97230 4916 NE 122 nd Ave. Phone: (503) 252-0107 Fax: (503) 252-2123</p> <p>PENNSYLVANIA Willow Grove 19090 520 North York Road Phone: (215) 658-1430 Fax: (215) 658-1433</p> <p>TEXAS Carrollton 75006 (Dallas) 1300 Interstate 35 N, Suite 112 Phone: (972) 446-2996 Fax: (972) 446-8157 Houston 77055 West 10 Business Center 1008 Wirt Road, Suite 120 Phone: (713) 682-0334 Fax: (713) 682-4867</p> <p>WASHINGTON Auburn 98001 (Seattle) 3320 West Valley HWY, North Building D, Suite 111 Phone: (253) 333-8353 Fax: (253) 333-9613</p>
---	--	---	---

Authorized Service Stations are located in many large cities. Telephone **800-487-8665** or **731-541-6042** for assistance locating one. Parts and accessories for Porter-Cable • Delta products should be obtained by contacting any Porter-Cable • Delta Distributor, Authorized Service Center, or Porter-Cable • Delta Factory Service Center. If you do not have access to any of these, call **888-848-5175** and you will be directed to the nearest Porter-Cable • Delta Factory Service Center. Las Estaciones de Servicio Autorizadas están ubicadas en muchas grandes ciudades. Llame al **800-487-8665** ó al **731-541-6042** para obtener asistencia a fin de localizar una. Las piezas y los accesorios para los productos Porter-Cable • Delta deben obtenerse poniéndose en contacto con cualquier distribuidor Porter-Cable • Delta, Centro de Servicio Autorizado o Centro de Servicio de Fábrica Porter-Cable • Delta. Si no tiene acceso a ninguna de estas opciones, llame al **888-848-5175** y le dirigirán al Centro de Servicio de Fábrica Porter-Cable • Delta más cercano. Des centres de service agréés sont situés dans beaucoup de grandes villes. Appelez au **800-487-8665** ou au **731-541-6042** pour obtenir de l'aide pour en repérer un. Pour obtenir des pièces et accessoires pour les produits Porter-Cable • Delta, s'adresser à tout distributeur Porter-Cable • Delta, centre de service agréé ou centre de service d'usine Porter-Cable • Delta. Si vous n'avez accès à aucun de ces centres, appelez le **888-848-5175** et on vous dirigera vers le centre de service d'usine Porter-Cable • Delta le plus proche.

CANADIAN PORTER-CABLE • DELTA SERVICE CENTERS

<p>ALBERTA Bay 6, 2520-23rd St. N.E. Calgary, Alberta T2E 8L2 Phone: (403) 735-6166 Fax: (403) 735-6144</p> <p>BRITISH COLUMBIA 8520 Baxter Place Burnaby, B.C. V5A 4T8 Phone: (604) 420-0102 Fax: (604) 420-3522</p>	<p>MANITOBA 1699 Dublin Avenue Winnipeg, Manitoba R3H 0H2 Phone: (204) 633-9259 Fax: (204) 632-1976</p> <p>ONTARIO 505 Southgate Drive Guelph, Ontario N1H 6M7 Phone: (519) 836-2840 Fax: (519) 767-4131</p>	<p>QUÉBEC 1515 Ave. St-Jean Baptiste, Québec, Québec G2E 5E2 Phone: (418) 877-7112 Fax: (418) 877-7123</p> <p>1447, Begin St-Laurent, (Montréal), Québec H4R 1V8 Phone: (514) 336-8772 Fax: (514) 336-3505</p>
---	--	---

The following are trademarks of PORTER-CABLE • DELTA (Las siguientes son marcas registradas de PORTER-CABLE • DELTA S.A.) (Les marques suivantes sont des marques de fabricant de la PORTER-CABLE • DELTA): BAMMER®, LASERLOC®, OMNIJIG®, POCKET CUTTER®, PORTA-BAND®, PORTA-PLANE®, PORTER-CABLE®, QUICKSAND®, SANDTRAP®, SAW BOSS®, SPEED-BLOC®, SPEEDMATIC®, SPEEDTRONIC®, STAIR-EASE®, THE PROFESSIONAL EDGE®, THE PROFESSIONAL SELECT®, TIGER CUB®, TIGER SAW®, TORQ-BUSTER®, VERSA-PLANE®, WHISPER SERIES®, DURATRONIC™, FRAME SAW™, INNOVATION THAT WORKS™, JETSTREAM™, MICRO-SET™, MORTEN™, NETWORK™, RIPTIDE™, TRU-MATCH™, WOODWORKER'S CHOICE™, THE AMERICAN WOOD SHOP™ (design), AUTO-SET™, B.O.S.S.™, BUILDER'S SAW™, CONTRACTOR'S SAW™, DELTA™, DELTACRAFT™, HOME-CRAFT™, JET-LOCK™, KICKSTAND™, THE LUMBER COMPANY™ (design), MICRO-SET™, Q3™, QUICKSET II™, QUICKSET PLUS™, SAFEGUARD II™, SANDING CENTER™, SIDEKICK™, UNIFENCE™, UNIGUARD™, UNIRIP™, UNISAW™, VERSA-FEEDER™, THIN-LINE™, TPS™, Emc2™.

Trademarks noted with ™ and © are registered in the United States Patent and Trademark Office and may also be registered in other countries. Las Marcas Registradas con el signo de ™ y © son registradas por la Oficina de Registros y Patentes de los Estados Unidos y también pueden estar registradas en otros países. Marques déposées, indiquées par la lettre ™ et ©, sont déposées au Bureau des brevets d'invention et marques déposées aux Etats-Unis et pourraient être déposées aux autres pays.