

ELECTRIC BASS RBX774/RBX775

SERVICE MANUAL



RBX774



RBX775

■ CONTENTS

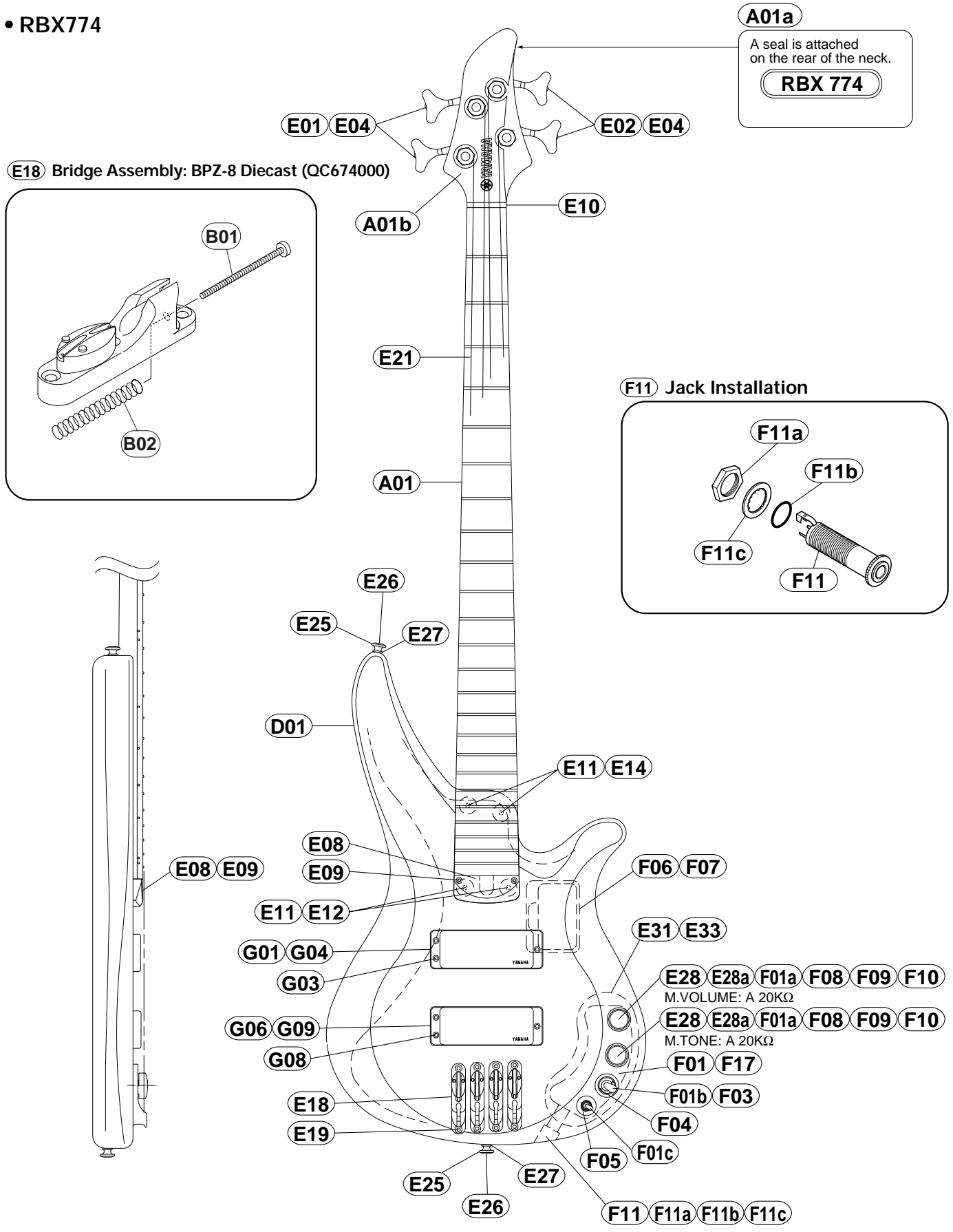
OVERALL ASSEMBLY	2
ELECTRICAL PARTS	6
CIRCUIT BOARD	7
CIRCUIT DIAGRAM	8
WIRING	9
SPECIFICATIONS	10

This document is printed on chlorine free (ECF) paper with soy ink.



OVERALL ASSEMBLY

• RBX774



● RBX774

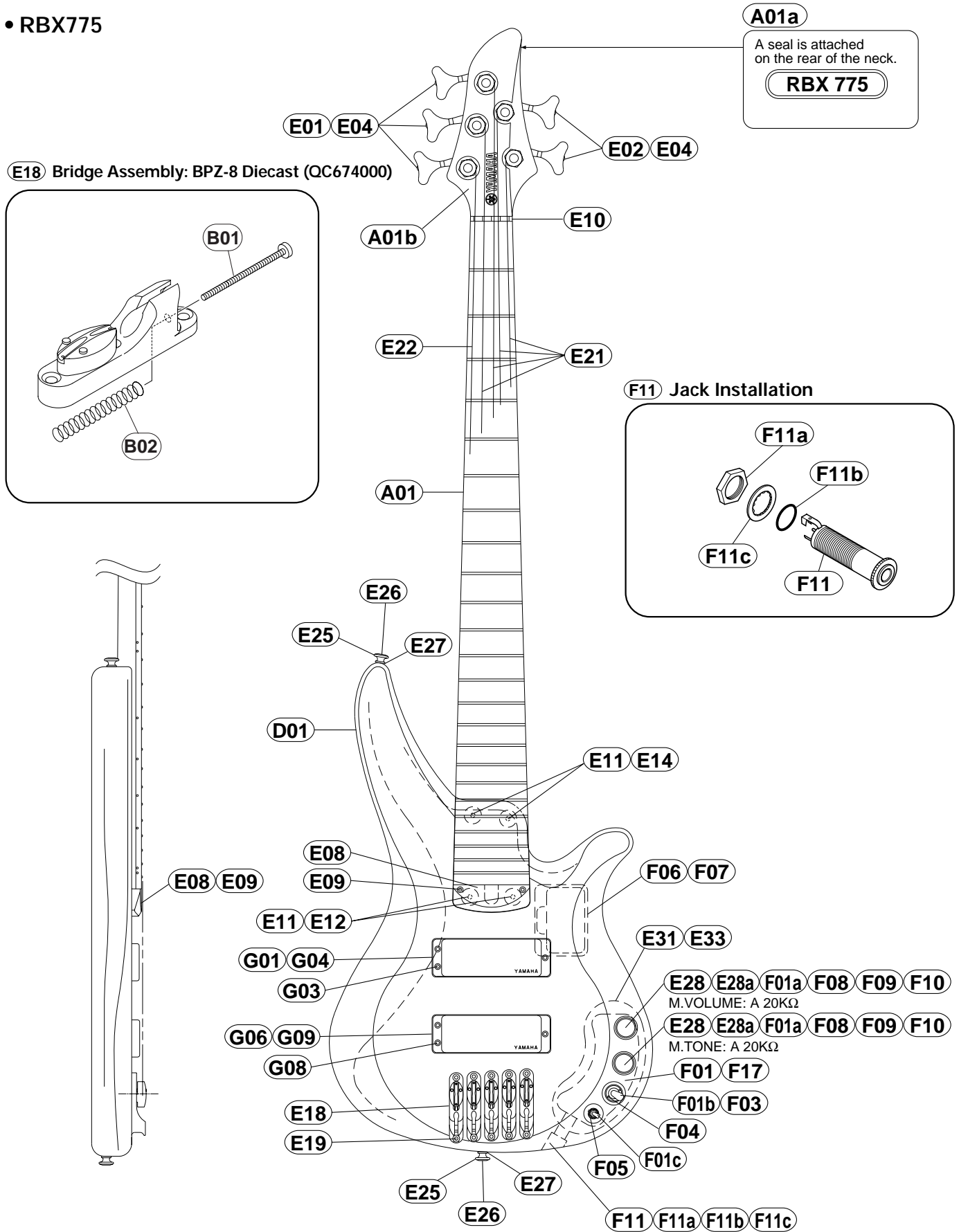
REF NO.	PART NO.	DESCRIPTION		REMARKS	QTY	RANK
		OVERALL ASSEMBLY		RBX774		
* A01	AA334350	Neck Assembly		BL with Head Panel		
* A01	AA334360	Neck Assembly		FSL with Head Panel		
* A01	AA334370	Neck Assembly		FLB with Head Panel		
A01a	--	Seal		(QC67460)		
A01b	--	Head Panel	Natural	(QC67250)		
D01	--	Body				
E01	QC279100	Tuning Machine Assembly	RM1243 (Black)	Right	2	09
E02	QC279800	Tuning Machine Assembly	RM1243L (Black)	Left	2	09
E04	VD763600	Round Head Wood Screw	2.4X10 FCM3BL	Black	4	01
* E08	QC672700	Rod Cover	Black			
E09	03704270	Round Head Wood Screw	2.7X13 FCM3BL	Black	2	01
* E10	QC672600	Nut	Urea 40mm (Black)			
E11	QC205200	Neck Joint Bushing	Black		4	04
* E12	QC685100	Oval Head Tapping Screw	4.5X35 FCM3BL	Black	2	
* E14	QC685200	Oval Head Tapping Screw	4.5X40 FCM3BL	Black	2	
* E18	QC674000	Bridge Assembly	BPZ-8 (Black) Diecast		4	
* E19	QC685300	Flat Head Tapping Screw	3.0X25 FCM3BL	Black	8	
E21	--	Strings	H4030	1set(4pcs) (AA80931)		
* E25	QC656200	Strap Button	SG-type (Black)		2	
E26	QC613000	Oval Head Tapping Screw	3.5X25 FCM3BL	Black	2	01
E27	VB793700	Spacer	Felt (Black)		2	01
E28	QC573500	Knob Assembly	Black	M.VOLUME,M.TONE	2	07
E28a	AA335960	Screw	M3.0X6 ZMC-BL	Black	2	
* E31	QC674300	Back Cover	Electrical (Black)			
E33	EB620020	Oval Head Wood Screw	2.7X13 FCM3BL	Black	4	03
F01	--	Electrical Unit		(QC67440)		
* F01a	QC687400	Circuit Board		with VOL,TONE VR		
* F01b	QC687500	Toggle Switch	3P DM-20	PICKUP		
F01c	QC677900	Toggle Switch (Mini)	ON-ON (Black)	BOOST (ON-OFF)		06
* F03	QC685400	Knob, Pickup Switch	SGV-type FCM3BL	Black		
F04	--	Nut	Black	with Pickup Switch		
F05	--	Nut	Black	with Boost Switch		
F06	QA223300	Box for Dry Cell				04
F07	QC025000	Pan Head Tapping Screw	3.0X8 FCM3BL	Black	2	
F08	--	Hexagonal Nut		with Volume	2	
F09	--	Flat Washer		with Volume	2	
F10	--	Toothed Lock Washer		with Volume	2	
F11	QA209900	Jack	Gold			07
F11a	--	Hexagonal Nut				
F11b	--	Rubber Ring				
F11c	--	Toothed Lock Washer				
F17	EA620060	Round Head Wood Screw	2.7X13 FCM33G	for Earth Lug (Chrome)	2	03
G01	QC460500	Pickup Assembly	H/B (Black)	FRONT		13
G03	VJ388800	Pan Head Tapping Screw	2.6X35 FCM3BL	Black	3	02
G04	QC556400	Pickup Cushion	55X25X18			02
G06	QC460600	Pickup Assembly	H/B (Black)	REAR		13
G08	VJ388800	Pan Head Tapping Screw	2.6X35 FCM3BL	Black	3	02
G09	QC556400	Pickup Cushion	55X25X18			02
H01	QC354000	Accessory Unit	G-1	1set		07
	QA262600	Cord	D			05
	--	Wrench	#1.5			
	--	Wrench	#5			
H02	--	Battery	9V Dry Cell	(PC10008)		
* B01	QC674000	Bridge Assembly	BPZ-8 (Black) Diecast		4	
B01	EA330400	Pan Head Screw	3.0X40 FCM3BL	Black	4	01
B02	VJ402400	Spring	Black		4	01

*: New Parts

RANK: Japan only

OVERALL ASSEMBLY

• RBX775



● RBX775

REF NO.	PART NO.	DESCRIPTION		REMARKS	QTY	RANK
		OVERALL ASSEMBLY		RBX775		
* A01	AA34380	Neck Assembly		BL with Head Panel		
* A01	AA34390	Neck Assembly		FSL with Head Panel		
* A01	AA34400	Neck Assembly		FLB with Head Panel		
A01a	--	Seal		(QC67290)		
A01b	--	Head Panel	Natural	(QC67220)		
D01	--	Body				
E01	QC279100	Tuning Machine Assembly	RM1243 (Black)	Right	3	09
E02	QC279800	Tuning Machine Assembly	RM1243L (Black)	Left	2	09
E04	VD763600	Round Head Wood Screw	2.4X10 FCM3BL	Black	5	01
* E08	QC672400	Rod Cover	Black			
E09	03704270	Round Head Wood Screw	2.7X13 FCM3BL	Black	2	01
* E10	QC672300	Nut	Urea 43mm (Black)			
E11	QC205200	Neck Joint Bushing	Black		4	04
* E12	QC685100	Oval Head Tapping Screw	4.5X35 FCM3BL	Black	2	
* E14	QC685200	Oval Head Tapping Screw	4.5X40 FCM3BL	Black	2	
* E18	QC674000	Bridge Assembly	BPZ-8 (Black) Diecast		5	
* E19	QC685300	Flat Head Tapping Screw	3.0X25 FCM3BL	Black	10	
E21	--	Strings	H4030	1set(4pcs) (AA80931)		
E22	--	Strings	H4055 Low-B	(QB00400)		
* E25	QC656200	Strap Button	SG-type (Black)		2	
E26	QC613000	Oval Head Tapping Screw	3.5X25 FCM3BL	Black	2	01
E27	VB793700	Spacer	Felt (Black)		2	01
E28	QC573500	Knob Assembly	Black	M.VOLUME,M.TONE	2	07
E28a	AA35960	Screw	M3.0X6 ZMC-BL	Black	2	
* E31	QC674300	Back Cover	Electrical (Black)			
E33	EB620020	Oval Head Wood Screw	2.7X13 FCM3BL	Black	4	03
F01	--	Electrical Unit		(QC67440)		
* F01a	QC687400	Circuit Board		with VOL,TONE VR		
* F01b	QC687500	Toggle Switch	3P DM-20	PICKUP		
F01c	QC677900	Toggle Switch (Mini)	ON-ON (Black)	BOOST (ON-OFF)		06
* F03	QC685400	Knob, Pickup Switch	SGV-type FCM3BL	Black		
F04	--	Nut	Black	with Pickup Switch		
F05	--	Nut	Black	with Boost Switch		
F06	QA223300	Box for Dry Cell				04
F07	QC025000	Pan Head Tapping Screw	3.0X8 FCM3BL	Black	2	
F08	--	Hexagonal Nut		with Volume	2	
F09	--	Flat Washer		with Volume	2	
F10	--	Toothed Lock Washer		with Volume	2	
F11	QA209900	Jack	Gold			07
F11a	--	Hexagonal Nut				
F11b	--	Rubber Ring				
F11c	--	Toothed Lock Washer				
F17	EA620060	Round Head Wood Screw	2.7X13 FCM33G	for Earth Lug (Chrome)	2	03
G01	QC472800	Pickup Assembly	H/B (Black)	FRONT		13
G03	VJ388800	Pan Head Tapping Screw	2.6X35 FCM3BL	Black	3	02
G04	QC556400	Pickup Cushion	55X25X18			02
G06	QC472900	Pickup Assembly	H/B (Black)	REAR		13
G08	VJ388800	Pan Head Tapping Screw	2.6X35 FCM3BL	Black	3	02
G09	QC556400	Pickup Cushion	55X25X18			02
H01	QC354000	Accessory Unit	G-1	1set		07
	QA262600	Cord	D			05
	--	Wrench	#1.5			
	--	Wrench	#5			
H02	--	Battery	9V Dry Cell	(PC10008)		
* B01	QC674000	Bridge Assembly	BPZ-8 (Black) Diecast		5	
B02	EA330400	Pan Head Screw	3.0X40 FCM3BL	Black	5	01
B02	VJ402400	Spring	Black		5	01

*: New Parts

RANK: Japan only

ELECTRICAL PARTS

REF NO.	PART NO.	DESCRIPTION		REMARKS	QTY	RANK
		ELECTRICAL PARTS		RBX774/RBX775		
*	QC687400	Circuit Board		(QC68780)		
*	QC687400	Circuit Board		(QC68780)		
C01	UA154470	Mylar Capacitor	0.047uF/50V			01
C02	UB051470	Ceramic Capacitor (chip)	47pF/50V J			01
C03	UI166100	Electrolytic Capacitor	1uF/50V			01
C04	UA154680	Mylar Capacitor	0.068uF/50V			02
C05	UA154680	Mylar Capacitor	0.068uF/50V			02
C06	UA153560	Mylar Capacitor	5600pF/50V			
C07	UI166100	Electrolytic Capacitor	1uF/50V			01
C08	UA153220	Mylar Capacitor	2200pF/50V			01
* C09	UA155220	Mylar Capacitor	0.22uF/50V			
C10	UI337100	Electrolytic Capacitor	10uF/16V			01
C11	UI337100	Electrolytic Capacitor	10uF/16V			01
D01	VB797600	Diode (chip)	RLS-73			01
IC1	XD901A00	IC	NJM062M	} OP AMP		02
IC1	XN309A00	IC	TL062CPS			03
R01	RD259100	Carbon Resistor (chip)	1M J			01
R02	RD258220	Carbon Resistor (chip)	220K J			01
R03	RD258270	Carbon Resistor (chip)	270K J			01
R04	RD258470	Carbon Resistor (chip)	470K J			01
R05	RD256680	Carbon Resistor (chip)	6.8K J			01
R06	RD257430	Carbon Resistor (chip)	43K J			01
R07	RD257120	Carbon Resistor (chip)	12K J			01
R08	RD257270	Carbon Resistor (chip)	27K J			01
R09	RD256680	Carbon Resistor (chip)	6.8K J			01
R10	RD256820	Carbon Resistor (chip)	8.2K J			01
R11	RD256820	Carbon Resistor (chip)	8.2K J			01
R12	RD257270	Carbon Resistor (chip)	27K J			01
R13	RD256100	Carbon Resistor (chip)	1K J			01
R14	RD257470	Carbon Resistor (chip)	47K J			01
R15	RD257470	Carbon Resistor (chip)	47K J			01
* VR1	QC687600	Variable Resistor	16T1-A20K L-18KC	M.VOLUME		
* VR2	QC687600	Variable Resistor	16T1-A20K L-18KC	M.TONE		

*: New Parts

RANK: Japan only

WARNING : CHEMICAL CONTENT NOTICE!

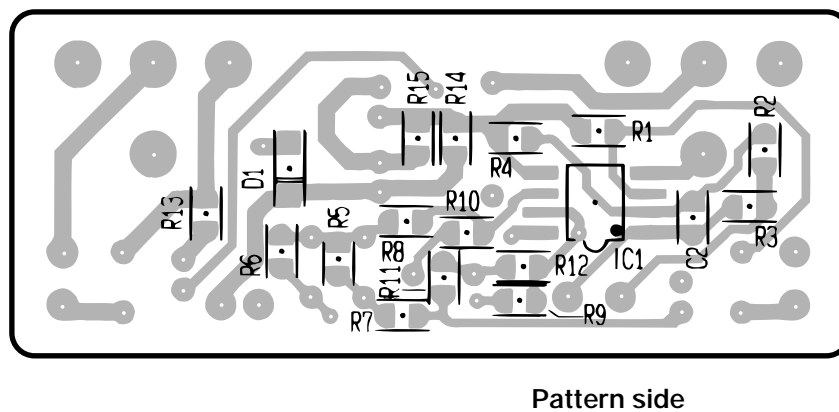
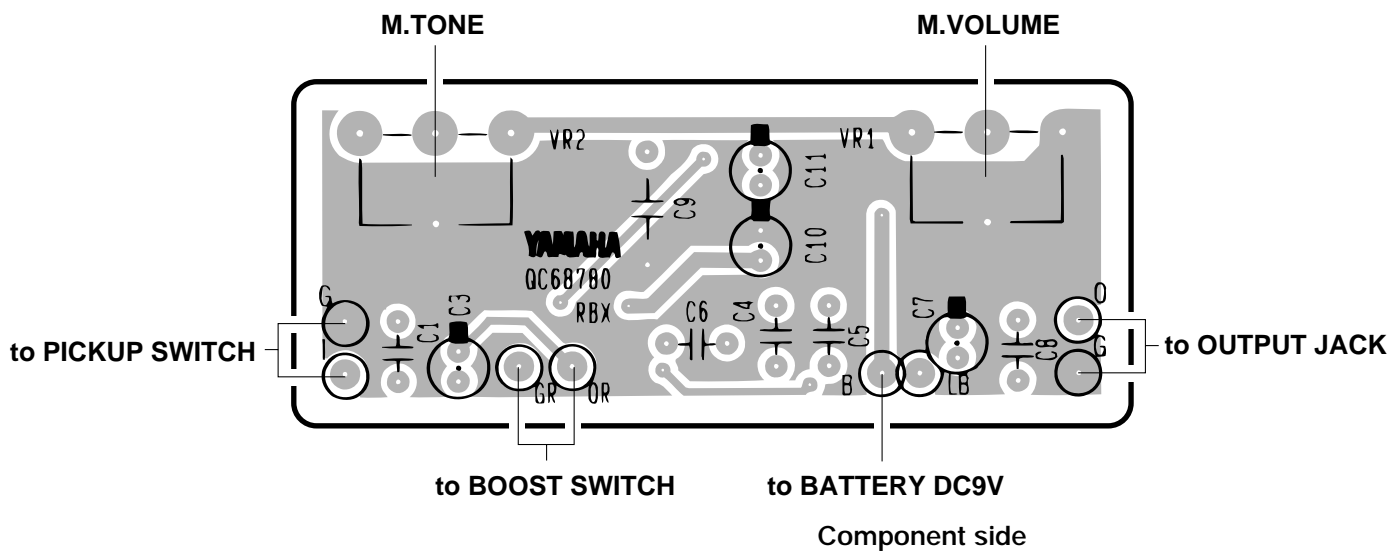
The solder used in the production of this product contains LEAD. In addition, other electrical/electronic and/or plastic (Where applicable) components may also contain traces of chemicals found by the California Health and Welfare Agency (and possibly other entities) to cause cancer and/or birth defects or other reproductive harm.

DO NOT PLACE SOLDER, ELECTRICAL/ELECTRONIC OR PLASTIC COMPONENTS IN YOUR MOUTH FOR ANY REASON WHAT SO EVER!

Avoid prolonged, unprotected contact between solder and your skin! When soldering, do not inhale solder fumes or expose eyes to solder/flux vapor!

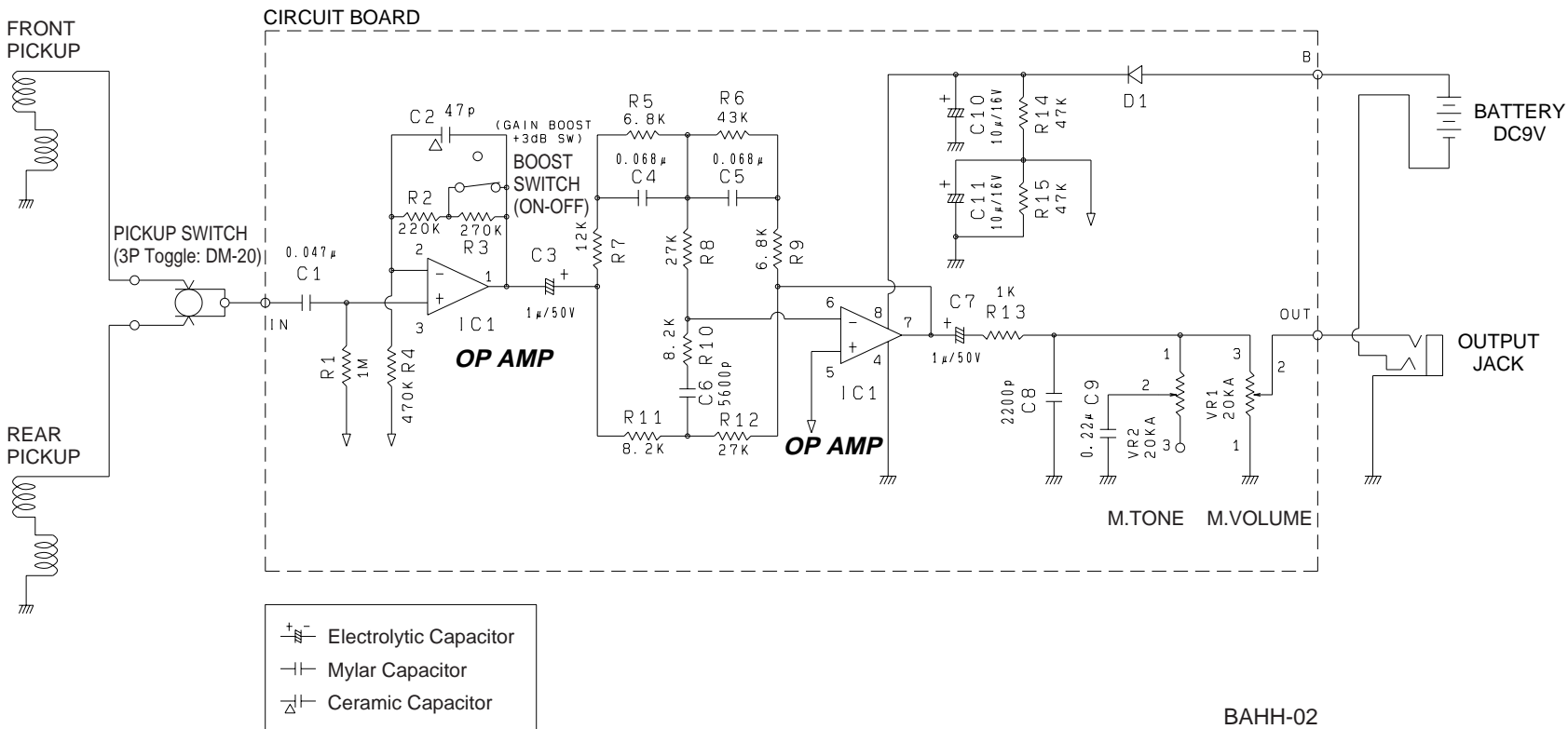
If you come in contact with solder or components located inside the enclosure of this product, wash your hands before handling food.

CIRCUIT BOARD



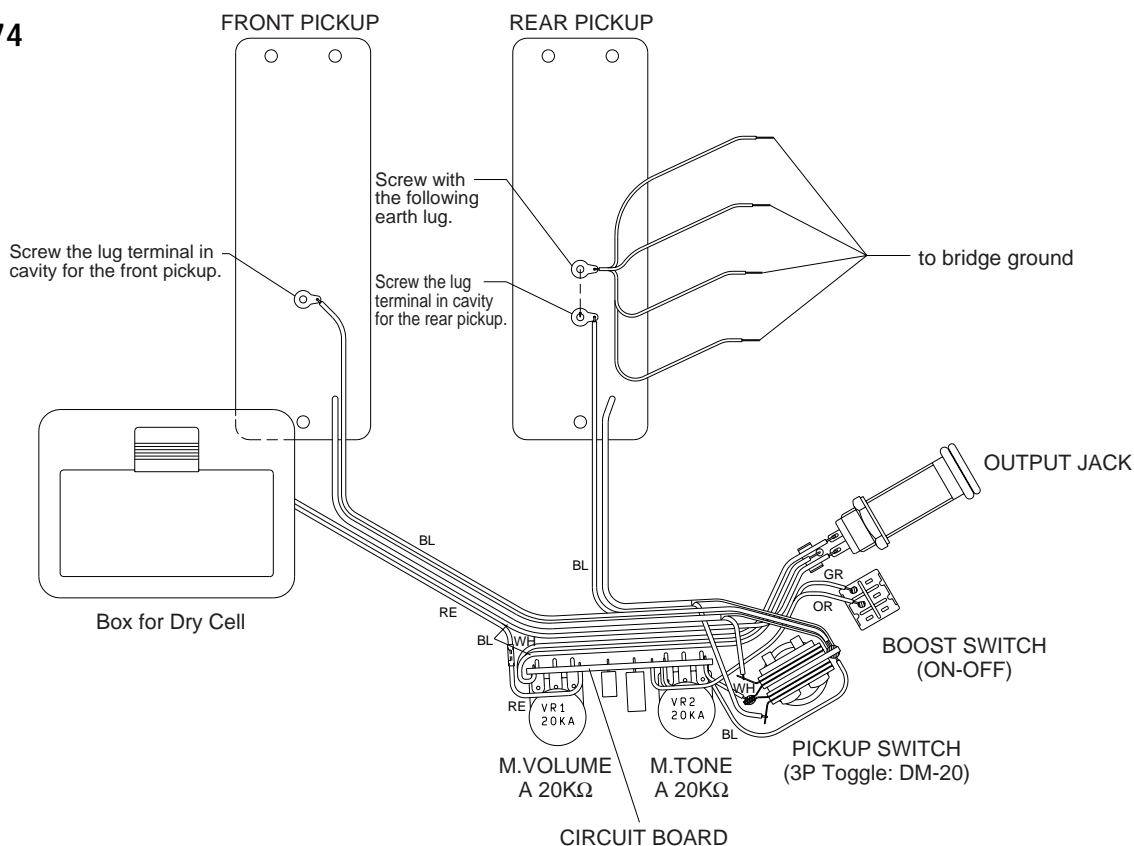
Note: See parts list for details of circuit board component parts.

CIRCUIT DIAGRAM

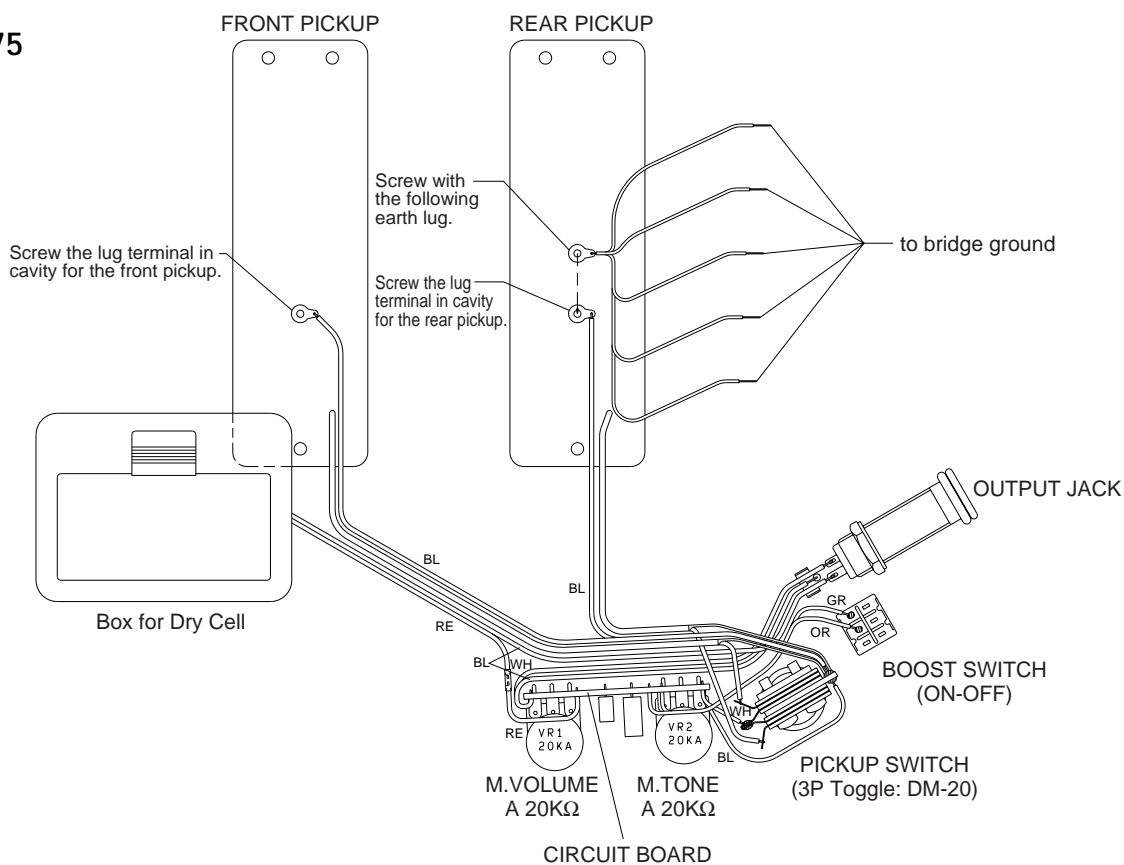


WIRING

• RBX774



• RBX775



■ SPECIFICATIONS

● STANDARD SPECIFICATIONS

Scale Length	889.0mm
Body-Neck Construction	Bolt On
Length	
RBX774	1134.0mm
RBX775	1158.7mm
Width	
RBX774	324.4mm
RBX775	331.0mm
Net Weight	
RBX774	3.9kg
RBX775	4.0kg

● COLOR

Body	
BL	Black
FSL	Flat Silver
FLB	Flat Blue
Neck	
BL	Black
FSL	Flat Silver
FLB	Flat Blue

● BODY

Material	Alder
Body Depth	41mm

● FINGERBOARD

Material	Rose
Fingerboard Width	
RBX774	0-F 40.0mm, 12-F 56.4mm
RBX775	0-F 43.0mm, 12-F 65.0mm
No. of Frets	24

● NECK

Material	Maple
Neck Thickness	1-F 21.0mm, 12-F 24.4mm

● PARTS

Hardware	Black Plated
Nut	Urea
Bridge	BPZ-8 Diecast (Black)
Strings	
RBX774	H4030 (4pcs)
RBX775	H4030 (4pcs)
	H4055 (Low-B)

● CONTROLS

Volume	A 20K Ω x 1
Tone	A 20K Ω x 1
Pickup Switch	3 position Toggle Switch (DM-20)
Boost Switch	Mini Toggle Switch (2 pole 2 position)

● PICKUPS

Front/Rear	Humbucking
Magnet	
Front/Rear	Ferrite