

ELECTRIC BASS

BB404/BB405

SERVICE MANUAL



BB 405

WARNING : CHEMICAL CONTENT NOTICE!

The solder used in the production of this product contains LEAD. In addition, other electrical/electronic and/or plastic (Where applicable) components may also contain traces of chemicals found by the California Health and Welfare Agency (and possibly other entities) to cause cancer and/or birth defects or other reproductive harm.

DO NOT PLACE SOLDER, ELECTRICAL/ELECTRONIC OR PLASTIC COMPONENTS IN YOUR MOUTH FOR ANY REASON WHAT SO EVER!

Avoid prolonged, unprotected contact between solder and your skin! When soldering, do not inhale solder fumes or expose eyes to solder/flux vapor!

If you come in contact with solder or components located inside the enclosure of this product, wash your hands before handling food.

CONTENTS

OVERALL ASSEMBLY	2
CIRCUIT DIAGRAM	6
WIRING	6
SPECIFICATIONS	7

This document is printed on chlorine free (ECF) paper with soy ink.

OVERALL ASSEMBLY

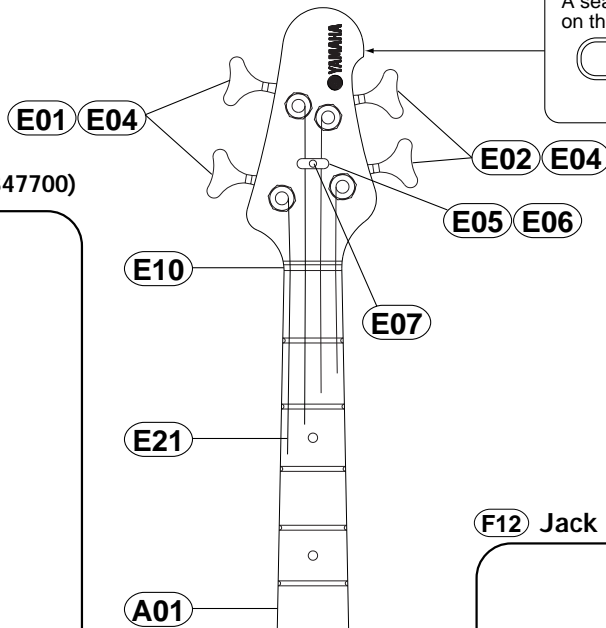
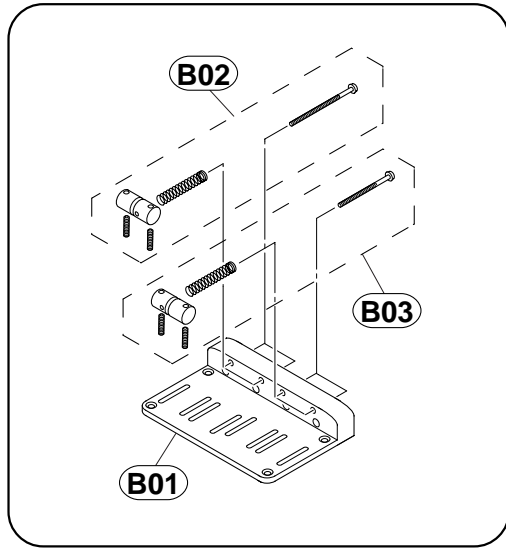
• BB404

A01b

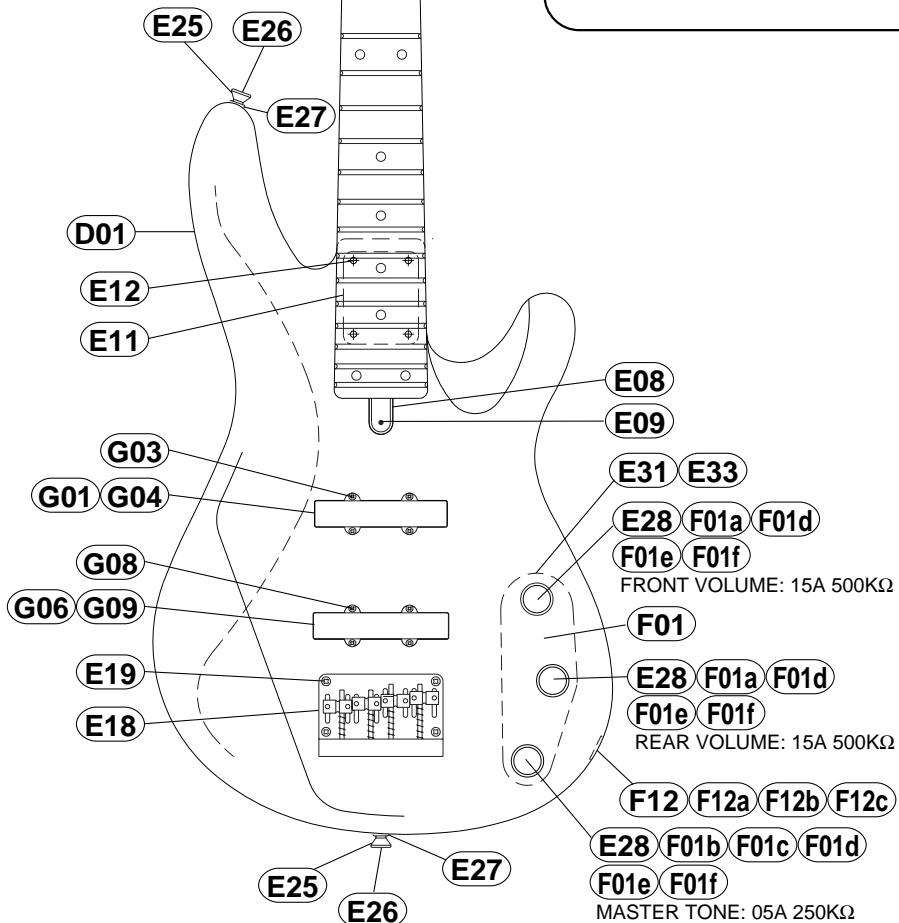
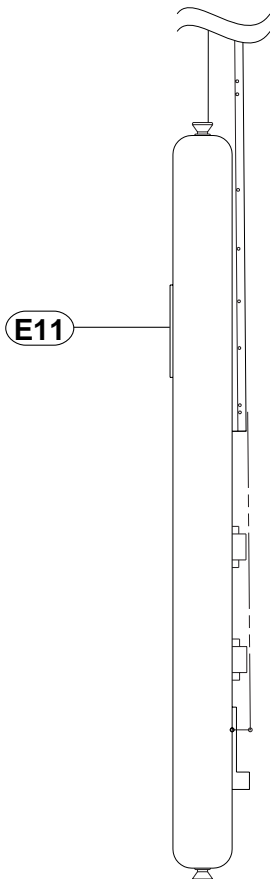
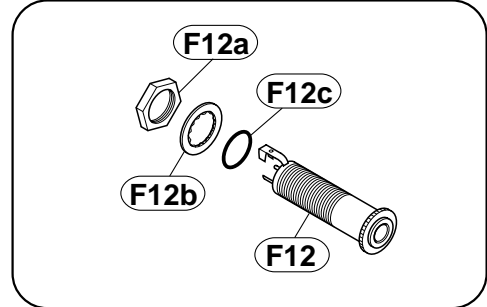
A seal is attached on the rear of the neck.

BB 404

E18 Bridge Assembly: Diecast (QC347700)



F12 Jack Installation



● BB404

REF NO.	PART NO.	DESCRIPTION		REMARKS	QTY	RANK
		OVERALL ASSEMBLY		BB404		
* A01	AA333620	Neck Assembly		YNS		
* A01	AA333630	Neck Assembly		WR		
* A01	AA333640	Neck Assembly		BL		
A01b	--	Seal		(QC67620)		
D01	--	Body				
E01	QC207000	Tuning Machine Assembly	RM1243C (Chrome)		2	09
E02	QC236900	Tuning Machine Assembly	RM1243CL (Chrome)		2	09
E04	EA620040	Round Head Wood Screw	2.4X10 FCM33G	Chrome	4	01
E05	VB518600	String Guide	Chrome			05
E06	VJ382000	Spacer	Black			01
E07	03706370	Round Head Wood Screw	2.7X20 FCM33G	Chrome		02
E08	CB821460	Rod Cover	Black			03
E09	03706220	Oval Head Wood Screw	2.1X10 FCM3BL	Black		01
E10	CB821090	Nut	Urea 40mm (Ivory)			07
E11	AA819690	Neck Plate	Chrome			03
E12	EN240060	Oval Head Tapping Screw	4.0X45 FNM33G	Nickel	4	01
E18	QC347700	Bridge Assembly	Diecast (Chrome)			10
E19	EN230140	Oval Head Tapping Screw	3.0X25 FNM33G	Nickel	4	04
E21	--	Strings	H4030	1set (QC35100)		
E25	BB801510	Strap Button	ST-type (Chrome)		2	04
E26	EN230140	Oval Head Tapping Screw	3.0X25 FNM33G	Nickel	2	04
E27	VB793700	Spacer	Felt (Black)		2	01
E28	CB807760	Knob	Black	FRONT/REAR VOLUME, M.TONE	3	03
E31	CB809560	Back Cover	Electrical (Black)			05
E33	EB620020	Oval Head Wood Screw	2.7X13 FCM3BL	Black	4	03
F01	--	Electrical Unit		(QC26630)		
F01a	HS120070	Variable Resistor	15A 500K ohm	FRONT VOLUME, REAR VOLUME	2	03
F01b	HS120100	Variable Resistor	05A 250K ohm	MASTER TONE		03
F01c	UA154470	Mylar Capacitor	0.047uF 50 J			01
F01d	--	Hexagonal Nut	8S	with Volume	3	
F01e	--	Flat Washer	8S	with Volume	3	
F01f	--	Toothed Lock Washer	8S	with Volume	3	
F12	QA209900	Jack	Gold			07
F12a	--	Hexagonal Nut				
F12b	--	Toothed Lock Washer				
F12c	--	Rubber Ring				
* G01	QC670100	Pickup Assembly	S/C KPBO (Black)	FRONT		
G03	VJ388800	Pan Head Tapping Screw	2.6X35 FCM3BL	Black	4	02
G04	CB815450	Pickup Cushion	85X17X15			02
* G06	QC670200	Pickup Assembly	S/C KPBO (Black)	REAR		
G08	VJ388800	Pan Head Tapping Screw	2.6X35 FCM3BL	Black	4	02
G09	CB815450	Pickup Cushion	85X17X15			02
H01	QC354000	Accessory Unit	G-1	1set		07
	QA262600	Cord	D			05
	--	Wrench	#1.5			
	--	Wrench	#5			
B01	QC347700	Bridge Assembly	Diecast (Chrome)			10
B01	QC347900	Bridge Base	Chrome			06
B02	NX818300	Bridge Piece Assembly	1,2 (Chrome)	1,2 Strings	2	05
B03	NX818310	Bridge Piece Assembly	3,4 (Chrome)	3,4 Strings	2	05

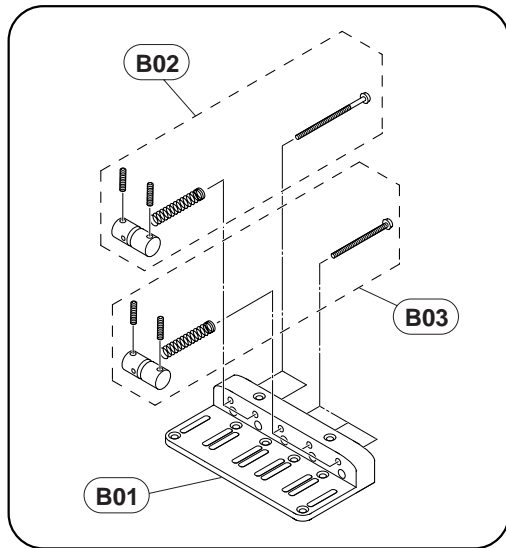
*: New Parts

RANK: Japan only

OVERALL ASSEMBLY

• BB405

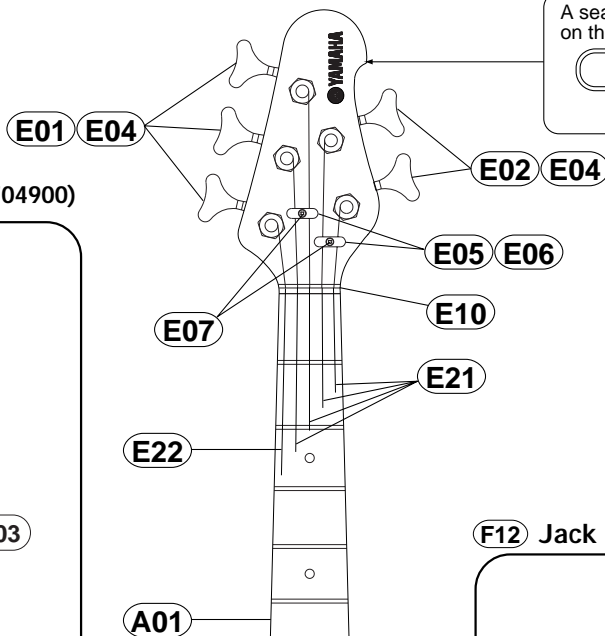
E18 Bridge Assembly: Diecast (QC704900)



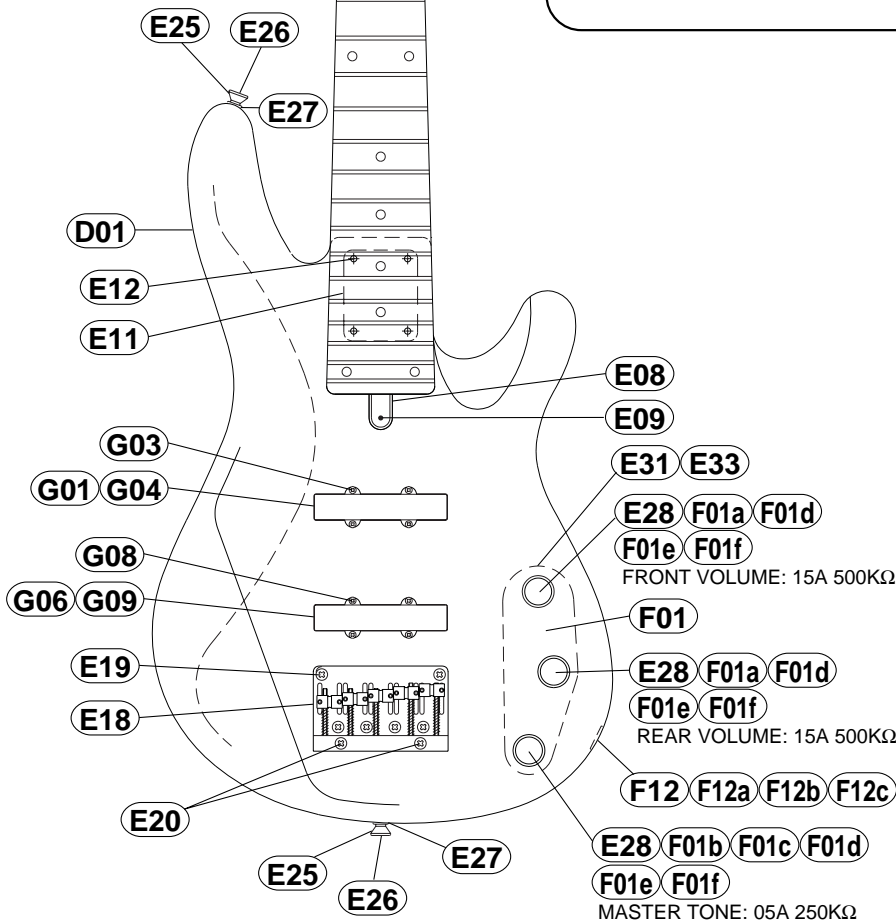
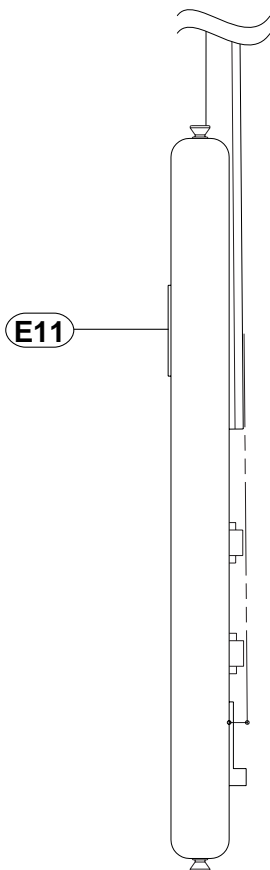
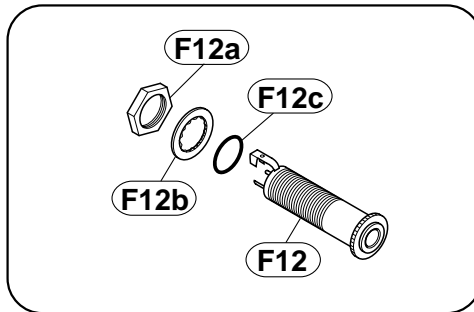
A01b

A seal is attached on the rear of the neck.

BB 405



F12 Jack Installation



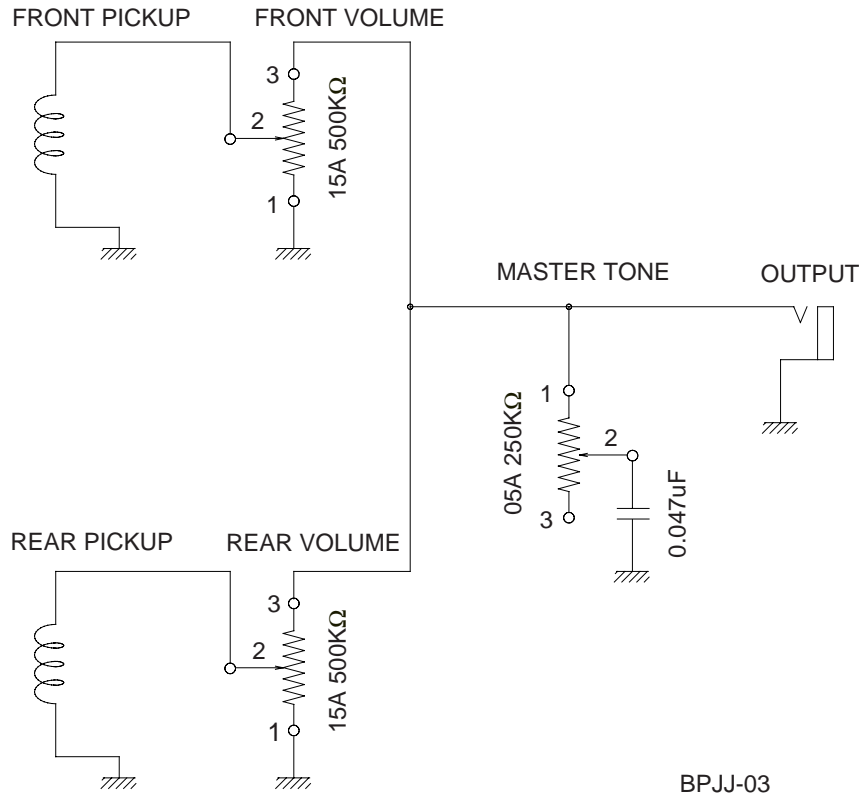
● BB405

REF NO.	PART NO.	DESCRIPTION		REMARKS	QTY	RANK
		OVERALL ASSEMBLY		BB405		
* A01	AA333650	Neck Assembly		YNS		
* A01	AA333660	Neck Assembly		WR		
* A01	AA333670	Neck Assembly		BL		
A01b	--	Seal		(QC67610)		
D01	--	Body				
E01	QC207000	Tuning Machine Assembly	RM1243C (Chrome)		3	09
E02	QC236900	Tuning Machine Assembly	RM1243CL (Chrome)		2	09
E04	EA620040	Round Head Wood Screw	2.4X10 FCM33G	Chrome	5	01
E05	VB518600	String Guide	Chrome		2	05
E06	VJ382000	Spacer	Black		2	01
E07	03706370	Round Head Wood Screw	2.7X20 FCM33G	Chrome	2	02
E08	CB821460	Rod Cover	Black			03
E09	03706220	Oval Head Wood Screw	2.1X10 FCM3BL	Black		01
E10	QC411200	Nut	Urea 43mm (Ivory)			
E11	AA819690	Neck Plate	Chrome			03
E12	EN240060	Oval Head Tapping Screw	4.0X45 FNM33G	Nickel	4	01
E18	QC704900	Bridge Assembly	Diecast FCM33G	Chrome		
E19	QC706800	Oval Head Tapping Screw	4.0X25 FCM33G	Chrome	6	
E20	VD762800	Oval Head Tapping Screw	4.0X40 FCM33G	Chrome	2	01
E21	--	Strings	H4030	1set(4pcs)		(AA80931)
E22	--	Strings	H4055 Low-B			(QB00400)
E25	BB801510	Strap Button	ST-type (Chrome)		2	04
E26	EN230140	Oval Head Tapping Screw	3.0X25 FNM33G	Nickel	2	04
E27	VB793700	Spacer	Felt (Black)		2	01
E28	CB807760	Knob	Black	FRONT/REAR VOLUME, M.TONE	3	03
E31	CB809560	Back Cover	Electrical (Black)			05
E33	EB620020	Oval Head Wood Screw	2.7X13 FCM3BL	Black	4	03
F01	--	Electrical Unit		(QC26630)		
F01a	HS120070	Variable Resistor	15A 500K ohm	FRONT VOLUME, REAR VOLUME	2	03
F01b	HS120100	Variable Resistor	05A 250K ohm	MASTER TONE		03
F01c	UA154470	Mylar Capacitor	0.047uF 50 J			01
F01d	--	Hexagonal Nut	8S	with Volume	3	
F01e	--	Flat Washer	8S	with Volume	3	
F01f	--	Toothed Lock Washer	8S	with Volume	3	
F12	QA209900	Jack	Gold			07
F12a	--	Hexagonal Nut				
F12b	--	Toothed Lock Washer				
F12c	--	Rubber Ring				
* G01	QC669900	Pickup Assembly	S/C KPBO (Black)	FRONT		
G03	VJ388800	Pan Head Tapping Screw	2.6X35 FCM3BL	Black	4	02
G04	CB815450	Pickup Cushion	85X17X15			02
* G06	QC670000	Pickup Assembly	S/C KPBO (Black)	REAR		
G08	VJ388800	Pan Head Tapping Screw	2.6X35 FCM3BL	Black	4	02
G09	CB815450	Pickup Cushion	85X17X15			02
H01	QC354000	Accessory Unit	G-1	1set		07
	QA262600	Cord	D			05
	--	Wrench	#1.5			
	--	Wrench	#5			
* B01	QC704900	Bridge Assembly	Diecast FCM33G	Chrome		
* B02	QC705100	Bridge Base	FCM33G (Chrome)			
* B02	AA333680	Bridge Piece Assembly	1,2 (Chrome)	1,2 Strings	2	
* B03	AA333690	Bridge Piece Assembly	3,4,5 (Chrome)	3,4,5 Strings	3	

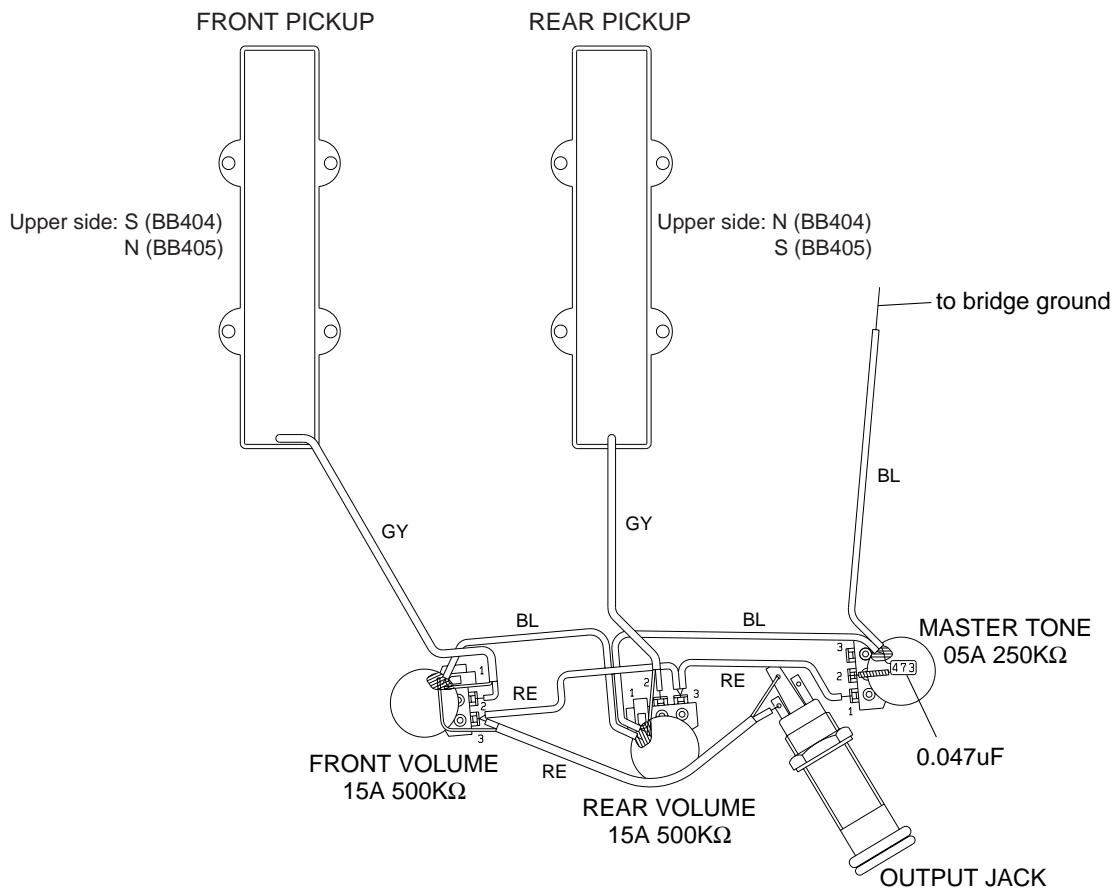
*: New Parts

RANK: Japan only

CIRCUIT DIAGRAM



WIRING



■ SPECIFICATIONS

● STANDARD SPECIFICATIONS

Scale Length	863.6mm
Body-Neck Construction	Bolt On
Length	
BB404	1141.0mm
BB405	1159.5mm
Width	
BB404	318.5mm
BB405	324.5mm
Net Weight	
BB404	3.9kg
BB405	4.0kg

● COLOR

Body	
YNS	Yellow Natural Satin
WR	Wine Red
BL	Black
Neck	
YNS	Yellow Natural Satin
WR	Wine Red
BL	Black

● BODY

Material	Alder
Body Depth	41mm

● FINGERBOARD

Material	Rosewood
Fingerboard Width	
BB404	0-F 40.0mm, 12-F 56.4mm
BB405	0-F 43.0mm, 12-F 65.0mm
No. of Frets	24

● NECK

Material	Maple
Neck Thickness	1-F 21.0mm, 12-F 24.4mm

● PARTS

Hardware	Chrome Plated
Nut	Urea
Bridge	
BB404	Korea: Diecast (Chrome)
BB405	Taiwan: Diecast (Chrome)
Strings	
BB404	H4030
BB405	H4030 (4pcs) H4055 (Low-B)

● CONTROLS

Volume	15A 500K Ω x 2
Tone	05A 250K Ω x 1

● PICKUPS

Front/Rear	Single Coil
Magnet	
Front/Rear	Ferrite