

ELECTRIC GUITAR AES FG SERVICE MANUAL



WARNING : CHEMICAL CONTENT NOTICE!

The solder used in the production of this product contains LEAD. In addition, other electrical/electronic and/or plastic (Where applicable) components may also contain traces of chemicals found by the California Health and Welfare Agency (and possibly other entities) to cause cancer and/or birth defects or other reproductive harm.

DO NOT PLACE SOLDER, ELECTRICAL/ELECTRONIC OR PLASTIC COMPONENTS IN YOUR MOUTH FOR ANY REASON WHAT SO EVER!

Avoid prolonged, unprotected contact between solder and your skin! When soldering, do not inhale solder fumes or expose eyes to solder/flux vapor!

If you come in contact with solder or components located inside the enclosure of this product, wash your hands before handling food.

CONTENTS

OVERALL ASSEMBLY	2
CIRCUIT DIAGRAM	4
WIRING	4
SPECIFICATIONS	4

This document is printed on chlorine free (ECF) paper with soy ink.

EG 011575

20010701-210000



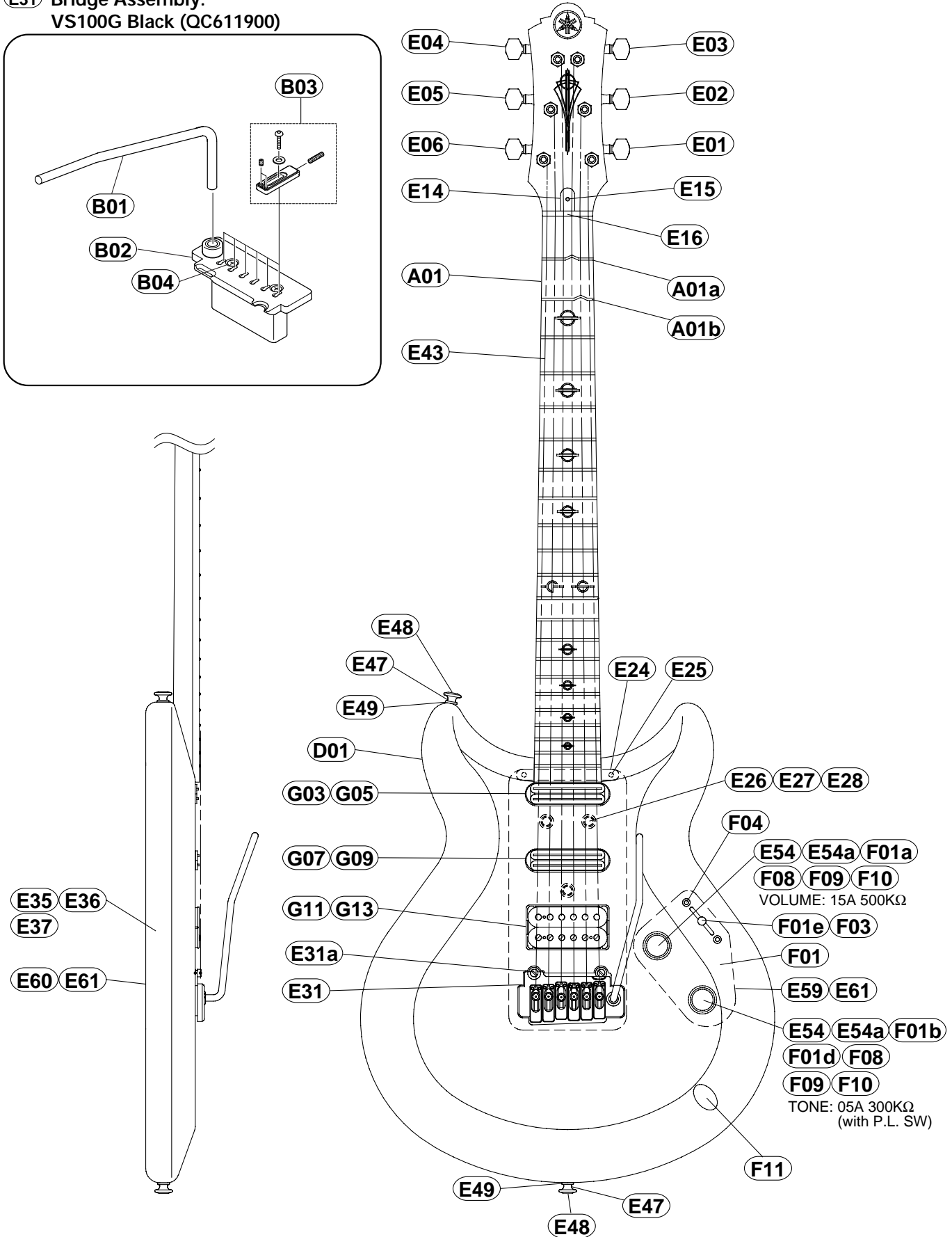
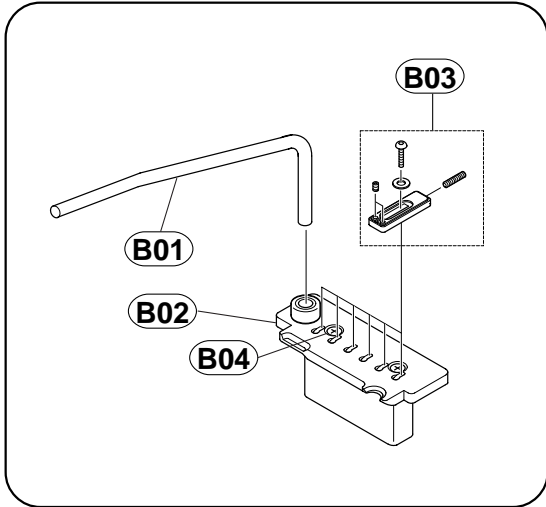
YAMAHA

HAMAMATSU, JAPAN

1.019K-101 IT Printed in Japan '01.07

OVERALL ASSEMBLY

E31 Bridge Assembly:
VS100G Black (QC611900)

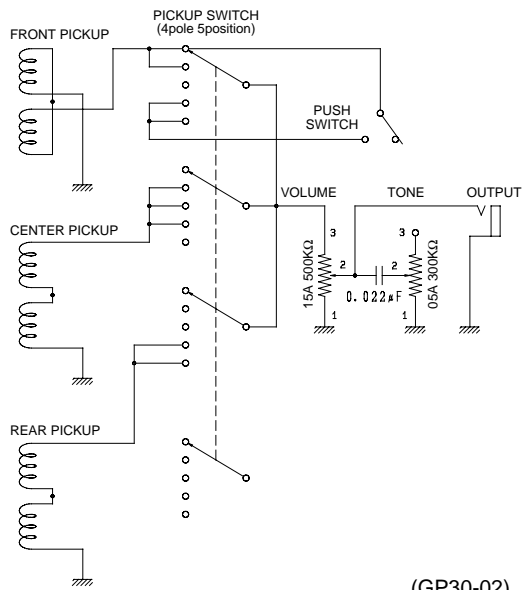


REF NO.	PART NO.	DESCRIPTION		REMARKS	QTY	RANK
* A01	AAX28760	OVERALL ASSEMBLY		AES FG		
* A01	AAX28770	Neck Assembly		BL		
* A01a	QC614300	Fretwaves		WH		
* A01b	QC614400	Fretwaves		1 st		
				2 nd		
	D01	--	Body			
* E01	QC610800	Tuning Machine Assembly 1E	Trim-Lok NB1P 1E	Black		
* E02	QC610900	Tuning Machine Assembly 2B	Trim-Lok EXB2P 2B	Black		
* E03	QC611000	Tuning Machine Assembly 3G	Trim-Lok LEXB3P 3G	Black		
* E04	QC611100	Tuning Machine Assembly 4D	Trim-Lok LEXB4P 4D	Black		
* E05	QC611200	Tuning Machine Assembly 5A	Trim-Lok EXB5P 5A	Black		
* E06	QC611300	Tuning Machine Assembly 6E	Trim-Lok NB6P 6E	Black		
* E14	QC610700	Rod Cover	ABS (Black)			
E15	EB620070	Oval Head Wood Screw	2.1X13 FCM3BL	Black		
* E16	QC611400	Nut	43.5mm Graphite	Black		
* E24	QC611500	Neck Plate	Bar type (Black)			
* E25	QC628000	Oval Head Tapping Screw	3.0X20 FCM3BL	Black	4	
* E26	QC611600	Flat Washer	6.0S FCM3BL(Black)		3	
* E27	QC611700	Cap Screw	6.0X25 FCM3BL	Black	3	
* E28	QC611800	Nut	6.0X13 FCM3BL	Black	3	
* E31	QC611900	Bridge Assembly	VS100G (Black)	by GOTOH		
E31a	--	Bridge Column			2	
E35	--	Arm Spring Plate				
E36	EN230150	Oval Head Tapping Screw	3.5X15 FCM3BL	Black	2	
* E37	QC612000	Arm Spring			3	
E43	--	Strings	0.009 set	1set (AA80071)		
E47	BB802830	Strap Button	SG type (Black)		2	03
* E48	QC613000	Oval Head Tapping Screw	3.5X25 FCM3BL	Black	2	
* E49	VB393700	Spacer	Felt (Black)		2	
E54	QC573500	Knob Assembly	Black		2	07
E54a	AAX16560	Screw	M3.0X6 ZMC-BL	Black	2	21
* E59	QC614500	Back Cover	ELECTRICAL (Black)			
* E60	QC612100	Back Cover	BRIDGE (Black)			
E61	EN220040	Oval Head Tapping Screw	2.6X12 FCM3BL	Black	10	
F01	--	Electrical Unit				
* F01a	VM569600	Variable Resistor	15A 500K ohm	VOLUME		
F01b	NB817390	Variable Resistor (P.L.SW)	05A 300K ohm	TONE		08
F01d	UA114220	Mylar Cap.	0.022uF			01
F01e	QA296100	Pickup Switch	4pole 5position			12
F03	CB821810	Knob	ST type (Black)			02
F04	03755170	Oval Head Screw	3.0X8 ZMC2BL	Black	2	01
F08	--	Hexagonal Nut			2	
F09	--	Flat Washer			2	
F10	--	Toothed Lock Washer			2	
* F11	QC612200	Electrical Unit (Jack)	End Pin Jack			
* G03	QC613800	Pickup Assembly	Duncan SHR-1n	FRONT (Black)		
* G05	EM420020	Round Head Tapping Screw	2.3X10 FCM3BL	Black	2	
* G07	QC613800	Pickup Assembly	Duncan SHR-1n	CENTER (Black)		
* G09	EM420020	Round Head Tapping Screw	2.3X10 FCM3BL	Black	2	
G11	QC573900	Pickup Assembly	Duncan SH-4	REAR (Black)		23
* G13	EM420020	Round Head Tapping Screw	2.3X10 FCM3BL	Black	2	
H01	QA262600	Accessory Unit				05
	--	Cord	D			
	--	Wrench	#4			
	--	Wrench	#2.5			
H02	--	Wrench	#1.5			
	--	Wrench	#2			
* H03	QC612000	Arm Spring				
I08	--	Hard Case	G&G GE-31	(QC61480)		
* B01	QC611900	Bridge Assembly	VS100G (Black)	by GOTOH		
* B02	QC575000	Arm	Black			
* B02	AAX28780	Bridge Base Assembly	Black			
* B03	AAX28790	Bridge Piece Assembly 1,6	Black	1,6 Strings	2	
* B03	AAX28800	Bridge Piece Assembly 2,5	Black	2,5 Strings	2	
* B03	AAX28810	Bridge Piece Assembly 3,4	Black	3,4 Strings	2	
B04	AX818110	Flat Head Screw	4.0X10 FCM33G	Chrome	3	02

*: New Parts

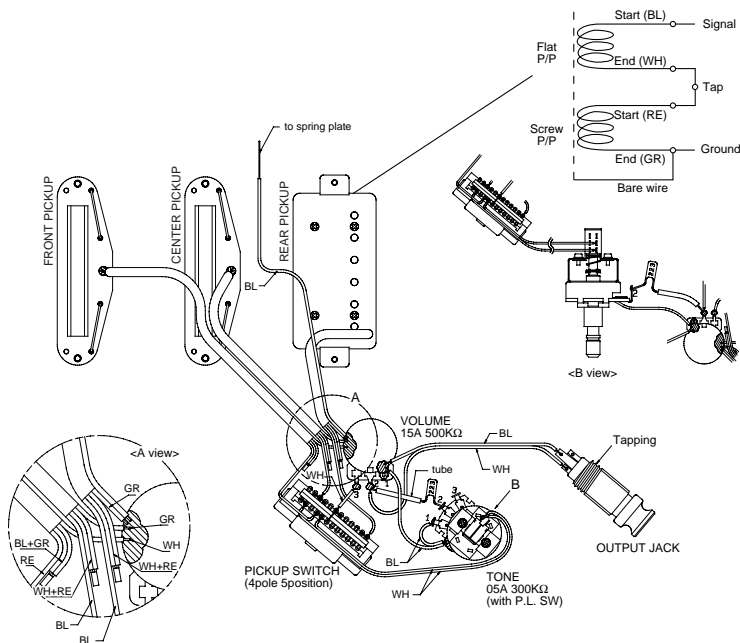
RANK: Japan only

■ CIRCUIT DIAGRAM



(GP30-02)

■ WIRING



■ SPECIFICATIONS

● STANDARD SPECIFICATIONS

Scale Length 648mm
 Body-Neck Construction Bolt On
 Length 1008mm
 Width 352mm
 Net Weight 3.6kg

● COLOR

Body
 BL Black
 WH White
 Neck
 BL Black
 WH White

● BODY

Material Philippine Mahogany
 Body Depth 42mm

● FINGERBOARD

Material Ebony
 Fingerboard Width 0-F 43.5 mm, 12-F 52.8 mm
 No. of Frets 22

● NECK

Material Maple/Bubinga
 Neck Thickness 1-F 19.8 mm, 12-F 21.3 mm

● PARTS

Hardware Black Plated
 Nut Graphite
 Bridge VS100G by GOTOH: Black
 Strings H1060

● CONTROLS

Volume 15A 500KΩ x 1
 Tone 05A 300KΩ x 1 (with P.L. SW)
 Pickup Switch 4pole 5position Lever Switch

● PICKUPS

Front/Center Single Coil (Duncan SHR-1n)
 Rear Humbucking (Duncan SH4)
 Magnet
 Front/Center Ferrite
 Rear Alnico V