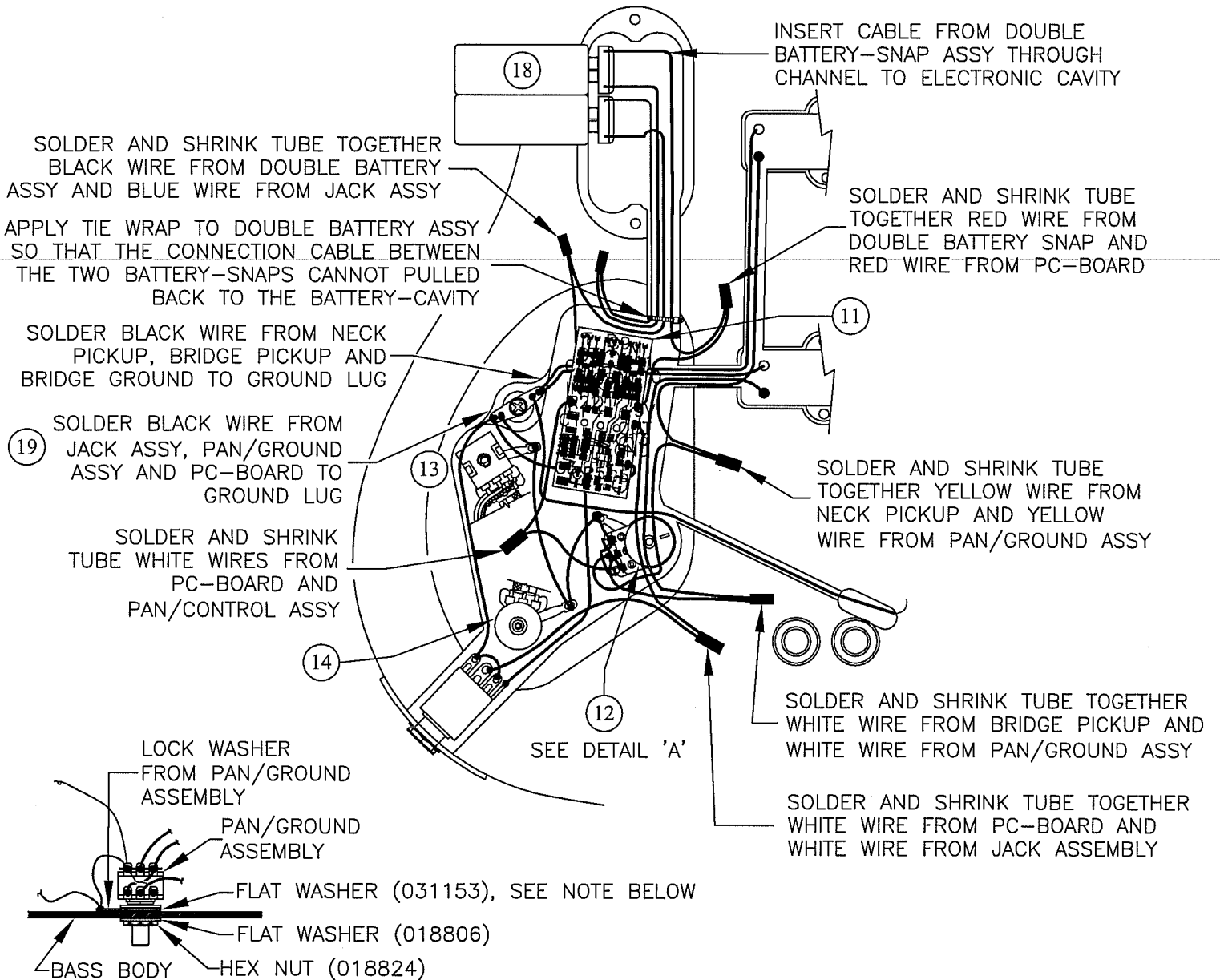
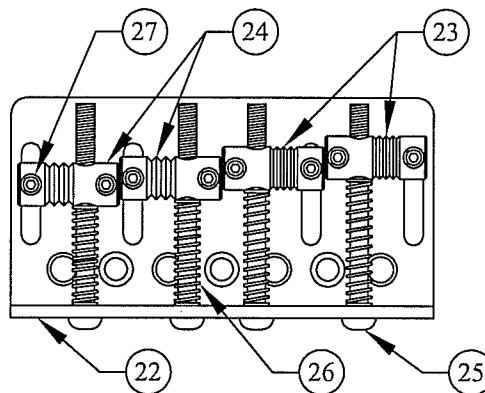


AMERICAN DELUXE JAZZ BASS[®], FMT RW/MN, 0194470/4472

CONTROL ASSEMBLY



DETAIL 'A'
PAN CONTROL MOUNTING



BRIDGE ASSEMBLY

NOTE:
FLAT WASHER (031153) MUST BE INSTALLED AGAINST PAN POT TO AVOID FAILURE OF POT

