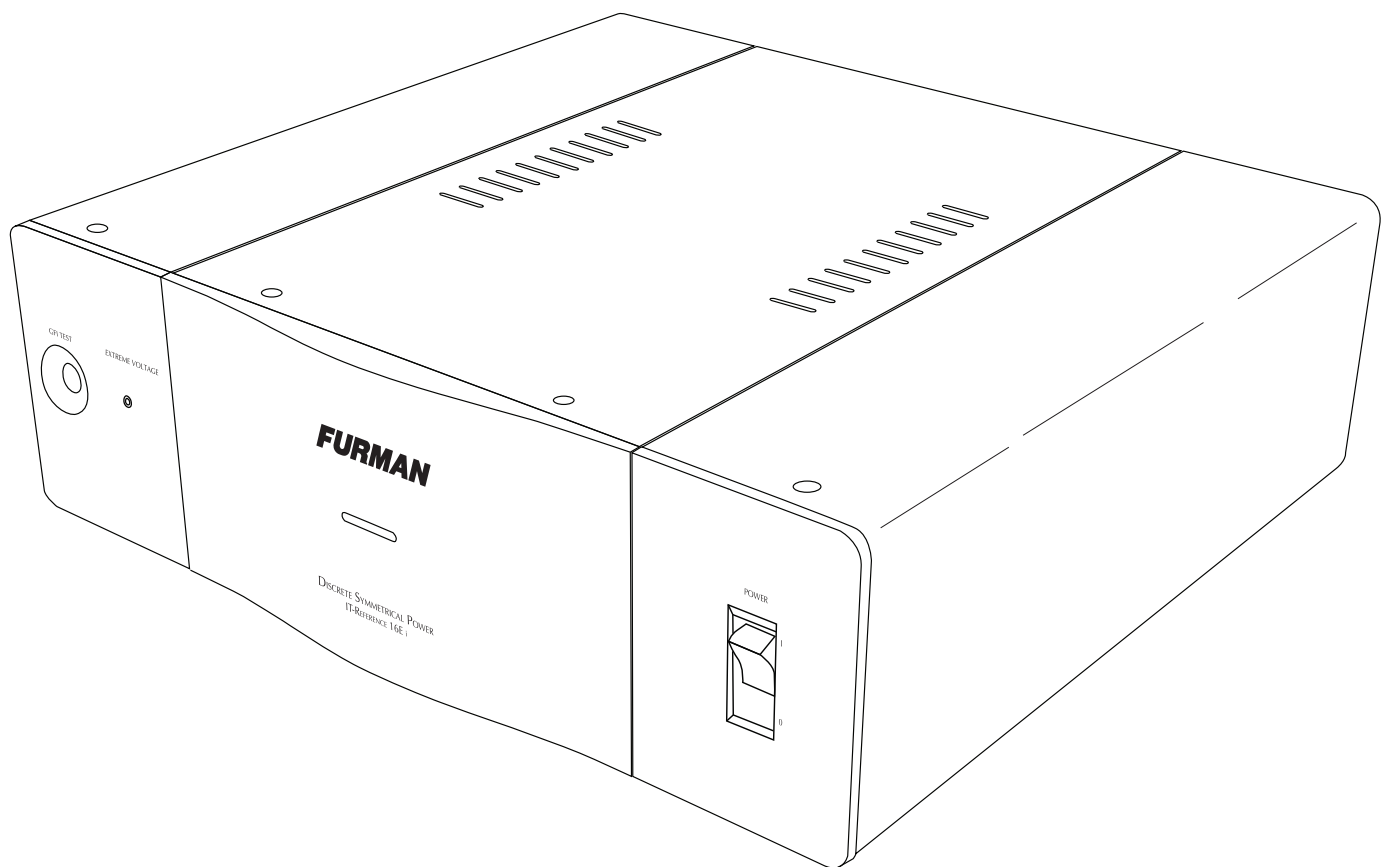


# **FURMAN**

## **IT-REFERENCE 16E i**

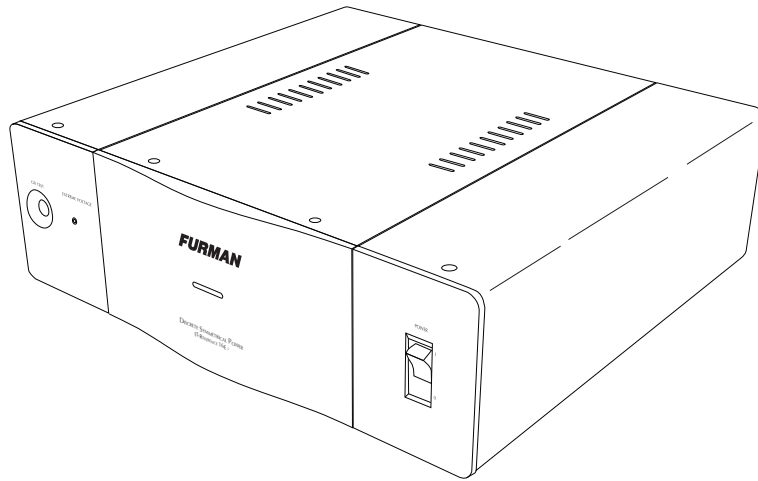
DISCRETE SYMMETRICAL POWER CONDITIONER  
CONDITIONNEUR D'ALIMENTATION SYMÉTRIQUE DISCRET  
ACONDICIONADOR DE POTENCIA SIMETRICA Y DISCRETA



OWNER'S MANUAL  
GUIDE DE L'UTILISATEUR  
MANUAL DEL PROPIETARIO



# FURMAN



**ENGLISH**  
Page 4

IT-REFERENCE 16E i OWNER'S MANUAL

**FRANÇAIS**  
Page 12

IT-REFERENCE 16E i GUIDE DE L'UTILISATEUR

**ESPAÑOL**  
Page 20

IT-REFERENCE 16E i MANUAL DEL PROPIETARIO

## IT-Reference 16E i Features

- Discrete Symmetrical Power cancels hum inducing noise from audio and video
- Four discrete dual screen power banks eliminate inter-component interference and noise
- Power Factor Technology provides current on demand for power-starved amplifiers
- Linear AC filtering for unequaled audio / video clarity
- Virtually maintenance-free AC surge suppression
- Extreme Voltage Shutown protects against dangerous wiring faults
- Three HD-ready bidirectional coaxial surge suppression modules

## Introduction

For over 33 years, Furman has pioneered the development of AC power products for the most demanding audio, video, and broadcast professionals. Though the need for pristine AC power is nothing new, the IT-Reference 16E i's technology and its unique implementation are revolutionary and without peer.

The extreme AC demands encountered in the professional audio/video arena have required technological developments far in excess of typical home theater/audiophile power products. In studios, live audio/video, and broadcast facilities, breakdown is unacceptable. Equipment failure or poor performance is costly. The same is true of today's home theater. Our solution-based technology, extensive engineering expertise, and robust build quality have answered the challenge of today's corrupted power lines, and led to the creation of our flagship power conditioner, the IT-Reference 16E i.

Today's AC lines are plagued with ever increasing noise. When AC noise couples into your system's critical components, it masks low level signals and cripples performance. This low level content is critical because it relays the crucial harmonics and ambience in audio, and depth and clarity in video reproduction. With the IT-Reference 16E i's exclusive Discrete Symmetrical Power, video screens, projectors, CD or DVD players, pre-amplifiers, and scalars are fed linearly-filtered ultra-low-noise symmetrical power. This dramatically reduces AC noise, ensuring peak operation of your critical components. For the first time, you will see and hear your theater or audio system as it should be...uncompromised.

Further, our Discrete Symmetrical Power features total isolation between three discrete AC outlet banks. This positively breaks noise-inducing ground loops, hum bars, and power supply backwash between interconnected equipment, all without compromising electrical safety. This enables a plasma screen to function without AC ground contamination from a compact disc player, or a preamplifier-processor to function free of performance-degrading digital noise from a satellite receiver.

The IT-Reference 16E i also employs our unique Power Factor Technology circuit. This means low-level analog, digital, and video components are not modulated or distorted via the power amplifier's extreme AC current demands. Further, the power amplifier sees a highly filtered, extremely low-impedance supply of AC power. The IT-Reference 16E i, in fact, has in excess of 9 Amps of continuous current reserve (over 80 amps pk. charge) for the most extreme peak power demands. This technology enables power amplifiers and powered subwoofers to work at peak efficiency and reach levels of performance previously unattainable.

No longer will your amplifier's performance be at the mercy of your home's incoming AC power or inferior AC protection/ filtering devices. The net effect is as if your power amplifier doubled in power and improved immeasurably in quality.

When employing the IT-Reference 16E i you will immediately notice far clearer, stunningly focused sound and visual images from your system. Video presentation will be crisp and colors true with greater gray and black scale definition, as well as noticeably improved depth and clarity. Sonic transients will be startlingly fast with bass fundamentals that shake foundations with their weight and visceral impact. Mid and high frequencies will bloom with sweet, non-glaring ease while imaging improves dramatically, all the while remaining true to your system's inherent virtues.

---

## Installation

### Unpacking

Before unpacking your unit, inspect the carton for any obvious severe damage to the box and internal protective materials. If internal damage is likely, contact the carrier who delivered the unit before proceeding with unpacking. If, after unpacking, shipping damage is evident, contact the carrier. Save all shipping and packing materials. You may need them if you should ever have to return the unit to the factory for servicing.

The box should contain the IT-Reference 16E i unit, detachable AC cord, rack mount kit, owner's manual, and warranty registration card. If anything is missing, please contact Furman Customer Service. Fill out and return your warranty registration card. Registration is recommended because it can be used to establish whether the unit is within the warranty period should your original ownership documents be lost, and it assists us in informing you about upgrades or other vital information.

### Safety Information - Warnings

Please read and observe all of the safety and operating instructions before the IT-Reference 16E i is operated. Retain these instructions for future reference.

- Do not disassemble or modify in any way. No user-serviceable parts inside .
- Keep away from moisture and avoid excessive humidity.
- Do not allow liquids or foreign objects to enter the unit.
- Household lighting equipment may not be connected to the IT-Reference 16E i because their sockets are not designed for use with symmetrical power and may present a shock hazard. We recommend that only audio, video and computer processing equipment be connected to the IT-Reference 16E i.

#### *The IT-Reference 16E i should be serviced by qualified service personnel when:*

- The power supply cord or plug has been frayed or cut.
- Objects have fallen onto or liquid has spilled into the unit.
- The IT-Reference 16E i has been exposed to rain or other moisture.
- The IT-Reference 16E i does not appear to operate normally, or exhibits a marked change in performance.
- The IT-Reference 16E i has been dropped, or the enclosure damaged.

### Power Source

The power source to which the IT-Reference 16E i is connected should be adequate for use at 16 Amps. Though the system may function with a 10 Amp panel circuit breaker, nuisance circuit breaker tripping could result at your service panel. If your system includes multi-channel audio power amplifiers that require more than modest power demands, a circuit breaker with a rating of at least 16 Amps is essential for optimum performance.

### Placement

The IT-Reference 16E i is manufactured with four rubber feet for placement on any table, cabinet, shelf, or floor capable of supporting its 40 kg. weight. These feet may be easily removed with a standard Philips screwdriver when rack mounting adjacent to other components. Because of the IT-Reference 16E i's internal shielding, placement or proximity to other components is not critical, and the IT-Reference 16E i does not produce any appreciable heat under standard use. The IT-Reference 16E i may also be rack mounted in a standard 19" rack by attaching the IT-Reference 16E i rack ears. These rack ears (contained within the plastic rack kit package) are attached to the chassis by removing the (3) countersunk screws on each forward-side of the chassis top cover. Each rack ear is installed with pan-head Philips screws contained within the IT-Reference 16E i rack mounting kit. Due to the weight of the IT-Reference 16E i (40 kg.), it is recommended that placement be at or near the bottom of your rack when mounting this way. For rack mounting that will be transported, rear rack mounting is recommended due to the high mass of the IT-Reference 16E i. These rear rack kits are not necessary for a stationary installation. They are available from your Furman dealer as an optional accessory. The rear rack mount kit model number is: **RRM-3 REF.**

## Connection

### AC Cable Routing

Once the IT-Reference 16E i is placed, its AC cord's female end must be plugged into the male IEC connector located on the lower left hand side of the rear panel (when facing the rear panel). Next the male plug must be connected to an appropriate socket (see current rating recommendation above). This AC cord will carry substantial unbalanced AC current, so it should be dressed away from critical signal-carrying cables, or at the very least, cross them at a 90 degree angle. The same is true of the power amplifier AC cords when plugged into the IT-Reference 16E i's "Power Amplifiers" AC filtered outputs. All other components plugged into "Analog - Digital - Video Component" outlets (A) through (C) have symmetrical AC current and will radiate virtually no field; as a result of this technology, their placement is not critical.

### Connecting Components to the Symmetrical Power Banks

The IT-Reference 16E i's "Analog - Digital - Video Component Banks" should be employed for all components other than receivers with power amplification, power amplifiers, powered subwoofers, or powered loudspeakers. Each discrete bank (A) through (C) contains two or four outputs that are symmetrically balanced, filtered, and totally isolated from adjacent output banks or the (4) "Power Amplifiers" outlets. It should be noted that as each AC bank's outlets are in parallel, component power supply noise *could* potentially "back-wash" between these units.

For this reason it is recommended that systems with minimal components (three units or less, excluding the power amplifiers) utilize one discrete bank per component. This will maximize performance by eliminating inter-component AC noise contamination entirely! For systems utilizing more componentry, high performance will still be achieved with careful routing of component AC cords to the IT-Reference 16E i's three discrete power banks. We recommend separating digital processors, DVD's, and CD players from pre-amplifiers, tuners, and tape machines. Further, video monitors and scalers should ideally be separated from audio components.

### Connecting Components to the High Current Power Amplifier Banks

Receivers with power amplification, power amplifiers, powered subwoofers, or powered loudspeakers should be connected to one of the four "Power Amplifiers" outlets to utilize their Power Factor Technology. The "Power Amplifiers" bank features (3) typical IEC female outlets and one 16 amp IEC outlet for those amplifiers with extreme current demands (rare).

Furman's Power Factor Technology circuitry effectively creates a current reserve in excess of 80 amps peak up-charge that is cleaner and more efficient than a dedicated line from your local power station. This feature eliminates any concern with the current compression that can result from typical power conditioners. In fact, Furman's Power Factor Technology circuitry provides lower AC impedance with current on demand which benefits any power amplifier's performance dramatically.

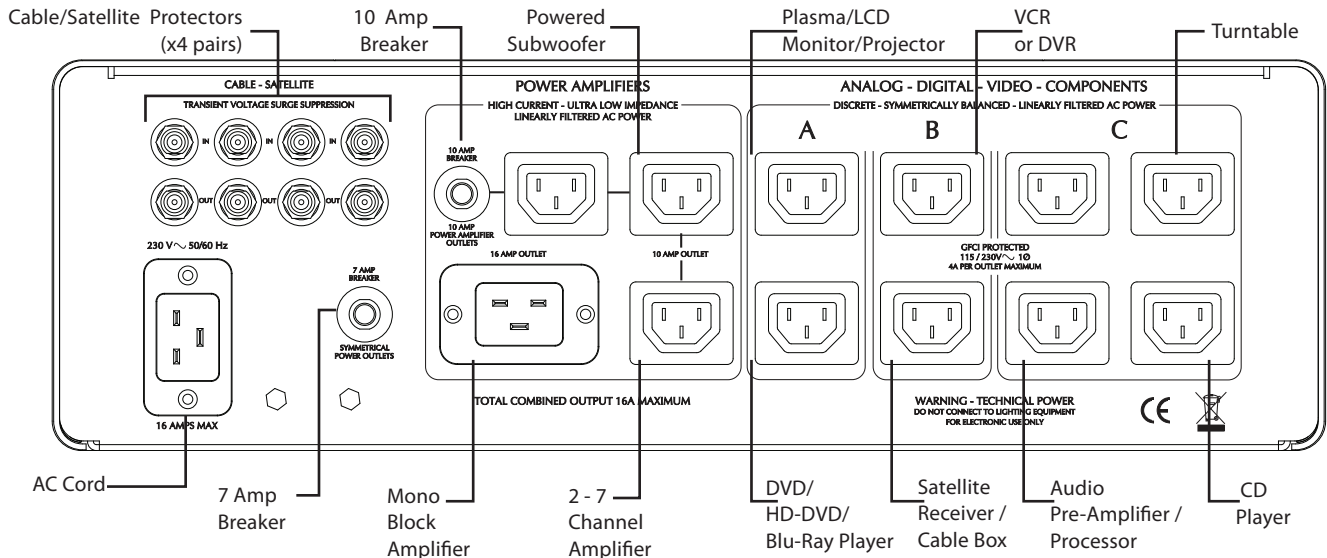
### Note about Power Factor Technology and Current Consumption

When Power Factor Technology is employed (transient or RMS), even the most sophisticated circuit breakers will perceive an increased current load. Though the IT-Reference 16E i was designed for steady 16 Amp operation, and peak current demands many times that, the maximum total continuous current draw may be limited to a range between 2400 - 3600 Watts per IT-Reference 16E i employed.

The RMS current available before the circuit breaker trips varies greatly due to what is referred to as a vector load. Simply put, the type of power supplies or electronic circuits connected to the IT-Reference 16E i will have an effect on its circuit breakers perceived current load, and therefore, when it will trip. Though the benefits of Power Factor Technology far outweigh the small reduction in continuous current draw, this must be accounted for when constructing a large system with high current demands.

The total continuous current draw of most electronic components is typically listed in Watts by their AC input cord or AC connector. Watt ratings are simply added to determine the total system RMS current draw. It should also be noted that the IT-Reference 16E i's Power Factor Technology circuitry has no actual effect on the power drawn from your utilities' power meter. The IT-Reference 16E i draws a mere 8.5 Watts independent of other components, so it may be left on at all times.

## Rear Panel / Suggested AC Connection



## Soft Start - Continuous Use and Break-In Time

When power is first applied to the IT-Reference 16E i, (the front panel breaker-power toggle must be switched to the “on” position) the Soft Start feature is activated. There is an audible “clack” when the IT-Reference is first turned on or off. This sound is produced by the Soft Start circuit’s 30 Amp relay engaging or disengaging. There is nothing in the IT-Reference 16E i’s construction, design, or componentry to wear over the life time of the product, and there is no power draw from your electric service meter aside from the LED power indicator, relay, and GFCI protection circuit. For this reason the IT-Reference 16E i may be left with its power engaged permanently at a cost of pennies per month. This is an added benefit, as many audio/videophiles find performance improves significantly when leaving low-powered components permanently charged (turned on). This is true of the IT-Reference 16E i. Though it will function flawlessly right from its shipping carton, the performance of its circuit parts will improve after approximately two weeks of continuous use or “break-in.”

## Ground Fault Interrupter (GFCI)

The IT-Reference 16E i’s “Discrete Symmetrical Filtered AC outlets” incorporate symmetrical AC power output, whereby both the neutral and positive leads of the AC cable run at 110 Volts AC in opposing polarity, referenced to ground (0 Volts AC). This is but one of the IT-Reference 16E i’s advantages over other AC-filter/protection designs.

Though virtually all electronic equipment is designed to detect electrical shorts and other potentially dangerous equipment problems in the Line lead referenced to its Neutral, this is inadequate when power is symmetrical. With the IT-Reference 16E i, both neutral and positive legs contain 110 VAC relative to their Ground tab. This is not a problem or safety hazard, unless there is a defect in either the IT-Reference 16E i’s transformer, or the power supply of a connected component. In this instance, we need to assure that safety is always maintained. The solution is our GFCI (ground fault circuit interrupter).

The Furman GFCI detects any imbalance in the current flowing in the two hot legs. The missing current is presumed to be flowing through the ground conductor (the round pin on an AC outlet). Ground current often indicates a dangerous partial or full short circuit. If an imbalance is detected, the GFCI will trip the main circuit breaker/power switch. To restore operation, correct the fault and turn the unit on again. 5 mA of current is enough to cause the GFCI to trip; to troubleshoot this type of problem, start with nothing connected to the IT-Reference 16E i. Then, add each piece of equipment until the GFCI trips. Contact the manufacturer of the suspect unit for possible solutions.

Testing the IT-Reference 16E i’s GFCI once a year is recommended. Simply press the button “GFI TEST”. If the GFCI is functioning properly, this will cause the main circuit breaker/power switch to trip and cut off power. After verifying the GFCI’s proper operation, simply restore power by switching the Circuit Breaker/Power Switch to the ON position.

## AC Transient Voltage Surge Suppression

The IT-Reference 16E i is capable of suppressing virtually any instantaneous voltage surge from lightning or commercial power companies. This is due in part to the mammoth reactive elements in the IT-Reference 16E i's AC Power Factor Technology circuitry. Further, the circuit is not easily damaged by huge instantaneous peaks of voltage, so there are no parts to fix or replace after a transient voltage surge incident. It should be noted, however, that there is no continuous over-under voltage circuitry or regulation within the design. For the IT-Reference 16E i's intended user, these features are typically not necessary. If your specific application requires AC regulation, over-under voltage power shut-down, or sequenced power distribution, there is a full line of Furman products to meet these requirements.

### Extreme Voltage Shutdown Indicator

This LED is normally off. It monitors AC wiring faults – for example, accidental connection to an open neutral (in some countries) could put well over 300 VAC RMS onto the mains outlet. When the Extreme Voltage Shutdown (EVS) circuit senses voltages that are so high that operation would be impossible, it shuts the power down before damage can occur. Upon initially applying power to these units, the Extreme Voltage indicator LED will light if the input voltage is above the extreme voltage cutoff, and power will not be applied to the unit's outlets. If the unit has been operating with an acceptable input voltage and subsequently that voltage exceeds 270 VAC, it will shut off power to the outlet and the Extreme Voltage LED will light.

**Note:** *If the mains power is above the high cutoff voltage and has caused the unit to remove power from its outlets, it cannot restore power without the operator manually turning the unit off, then on again. Avoid turning the unit back on without first checking the source of the problem, and perhaps changing the AC source.*

### Satellite – Cable Transient Voltage Surge Suppressors

The IT-Reference 16E i features transient voltage surge suppression for cable or satellite lines utilizing standard coaxial connectors. As these surge suppressors are in-line, they will require an additional cable to connect from their output to the control device requiring protection.

All in-line surge suppressors feature our exclusive ground contamination free technology. This aids in eliminating audio buzzing, and the video hum-bars that can result from typical in-line suppressors. Further, our cable and satellite suppressors are TiVO®/DVR friendly as well as HD digital television ready. Both DC carrier signals as well as high bandwidth signals can pass through our circuit. In fact the bandwidth is less than 0.1dB loss at 1GHz!

To connect your cabling to these in-line protectors, simply follow the in and out indications marked next to the Cable and Satellite Connectors.

**Note:** *It is not possible to make an in-line cable or satellite protector "maintenance-free" (non-sacrificial) as we have accomplished with the 230 VAC line. This would necessitate limited signal bandwidth that would not allow the signal to pass. Under extreme conditions, it is possible that the surge suppression in one of these devices could sacrifice itself after a catastrophic event. If the cable or satellite connector becomes deformed in any way due to an extreme lightning strike, please contact your local service representative, installer or Furman Authorized service center.*



---

## Warranty

Furman Sound, LLC warrants to the original purchaser of this product, the Furman IT-Reference 16E i, that the product will be free from defects in material and workmanship for a period of five years from the date of purchase. The purchaser of the product is allowed fifteen days from the date of purchase to complete warranty registration by mail or on-line at the Furman website. If the purchaser fails to complete the aforementioned registration, the warranty period will be reduced to one year from the date of purchase.

If the product does not conform to this Limited Warranty during the warranty period (as herein above specified), purchaser shall notify Furman in writing of the claimed defects. If the defects are of such type and nature as to be covered by this warranty, Furman shall authorize the purchaser to return the product to the Furman factory or to an authorized Furman repair location. Warranty claims should be accompanied by a copy of the original purchase invoice showing the purchase date; this is not necessary if the Warranty Registration was completed either by mailing in the completed warranty card or by registering on-line at the Furman website. Shipping charges to the Furman factory or to an authorized repair location must be prepaid by the purchaser of the product. Furman shall, at its own expense, furnish a replacement product or, at Furman's option, repair the defective product. Return shipping charges back to purchaser will be paid by Furman.

**CONNECTED EQUIPMENT WARRANTY:** Furman Sound's Connected Equipment Warranty covers equipment that is damaged by transient voltage (an "Occurrence") while properly connected through the Furman IT-Reference 16E i to a properly wired AC power line with a protective ground in an indoor location. Furman's Connected Equipment Warranty is limited to the amount of the deductible on the Purchaser's personal property insurance policy up to \$500.00. In order to make a claim for this Connected Equipment Warranty, the Purchaser must forward a copy of his/her personal property insurance claim for the damaged equipment to Furman and complete the Furman Connected Equipment Warranty claim form (call Furman at (877) 486-4738 to obtain the form). Furman reserves the right to review the damaged Furman product, the damaged connected equipment, and the site where the damage occurred. All cost of shipping damaged equipment to Furman for inspection shall be borne solely by the Purchaser. Damaged equipment must remain available for inspection until the claim is finalized. The Connected Equipment Warranty is also in effect for a period of five years unless the Purchaser does not complete the warranty registration within fifteen days from date of purchase, at which time, the Connected Equipment Warranty period is also reduced to one year from the date of purchase.

All warranties contained herein are null and void if: the Furman Surge Protector in use during the occurrence is not provided to Furman for inspection upon Furman's request at the sole expense of the Purchaser, Furman determines that the Furman Surge Protector has been opened, improperly installed, altered in any way or tampered with, Furman determines that the damage did not result from the Occurrence or that no Occurrence in fact took place or Furman determines that the connected equipment was not used under normal operating conditions or in accordance with Manufacturer's instructions for the connected equipment. All Furman Surge Protectors must be plugged directly into a properly wired AC power line with a protective ground. Three-to-two-prong adapters / AC cords void this warranty. The Furman warranty only protects against damage to properly connected equipment where Furman has determined, at its sole discretion, that the damage resulted from an Occurrence and does not protect against acts of God (other than lightning) such as flood, earthquake, war, terrorism, vandalism, theft, normal-use wear and tear, erosion, depletion, obsolescence, abuse, damage due to low-voltage disturbances (i.e. brownouts or sags), non-authorized program, or system equipment modification or alteration. Do not use this product in anyway with a generator, heater, sump pump, water-related device, life support device, medical device, automobile, motorcycle, or golf-cart battery charger. To be used indoors only and in dry areas. All warranties contained herein are null and void if used in anyway with any of the aforementioned devices.

**THE FOREGOING IS IN LIEU OF ALL OTHER WARRANTIES, EXPRESS OR IMPLIED, INCLUDING BUT NOT LIMITED TO THE IMPLIED WARRANTIES OF MERCHANTABILITY AND FITNESS FOR A PARTICULAR PURPOSE.** Furman does not warrant against damages or defects arising out of improper or abnormal use or handling of the product; against defects or damages arising from improper installation, against defects in products or components not manufactured by Furman, or against damages resulting from such non-Furman made products or components. This warranty shall be cancelable by Furman at its sole discretion if the product is modified in any way without written authorization from Furman. This warranty also does not apply to products upon which repairs have been affected or attempted by persons other than pursuant to written authorization by Furman.

**THIS WARRANTY IS EXCLUSIVE.** The sole and exclusive obligation of Furman shall be to repair or replace the defective product in the manner and for the period provided above. Furman shall not have any other obligation with respect to this product or any part thereof, whether based on contract, tort, strict liability, or otherwise. Under no circumstances, whether based on this Limited Warranty or otherwise, shall Furman be liable for incidental, special, or consequential damages. Furman's employees or representatives' ORAL OR OTHER WRITTEN STATEMENTS DO NOT CONSTITUTE WARRANTIES, shall not be relied upon by purchaser, and are not a part of the contract for sale or this limited warranty. This Limited Warranty states the entire obligation of Furman with respect to the product. If any part of this Limited Warranty is determined to be void or illegal, the remainder shall remain in full force and effect.

Warranty claims should be accompanied by a copy of the original purchase invoice showing the date of purchase (if a Warranty Registration Card was mailed in at the time of purchase or if the product was registered on-line, this is not necessary). Before returning any equipment for repair, please be sure it is adequately packed and cushioned against damage in shipment, and that it is insured.

## Specifications

### AC Current Capacity:

Input - 16 Amp capacity required

Output - 8 - 16 Amp RMS \* (maximum, all outlets combined - continuous)

*\* Due to the Power Factor Technology circuit, available RMS power varies with the reactance of the load (vector). However, this only affects the circuit breaker for continuous RMS current draw. Since power amplifiers will require high transient current demands, the IT-Reference 16E i will never succumb to current compression. Quite the opposite, in fact, it will buffer the power amplifier's power supply, while lowering the AC input impedance, allowing power amplifiers to work more efficiently.*

### Linear Noise Attenuation:

#### Transverse (Differential) Mode

>20 dB from 1Khz. - 2 kHz.

>40 dB from 2Khz. - 100 kHz.

>80 dB from 100 kHz. – 1GHz.

Linear attenuation curve from 0.05 – 100 ohms line impedance

#### Common Mode

>95 dB, 10Hz. - 50 kHz.

>40 dB 50kHz. – 1MHz.

### Outlets:

8 (symmetrical balanced outlets)

4 (Power Factor Technology outlets • 9 amps RMS reserve • reactive load • over 80 amps pk. charge, 3x 10A, 1x 16A)

### Transient Voltage Surge Suppression:

#### 230VAC Line

Virtually maintenance-free AC surge suppression

Non-sacrificial with zero ground contamination

Extreme Voltage Shutdown (>275 VAC)

#### Cable / Satellite

Less than .1dB line loss

### Dimensions

152mm H x 432mm W x 413mm D (standard 3RU without feet)

### Weight:

40 kg.

### Power Consumption:

8.5 Watts for display and control circuits independent of actual load.



## Caractéristiques

- Unité d'alimentation discrète symétrique supprimant les ronflements au niveau du son et de l'image
- Quatre blocs de prises à blindage double avec alimentation discrète supprimant les interférences et le bruit entre composants
- Technologie du facteur de puissance assurant une alimentation sur demande pour les amplificateurs gourmands en énergie
- Technologie de filtrage linéaire (LiFT pour Linear Filtering Technology) assurant une clarté du son et de l'image sans précédent
- Suppression des surtensions c.a. pratiquement sans entretien
- L'arrêt extrême de tension se protège (EVS pour Extreme Voltage Shutdown) contre les défauts dangereux de câblage
- Trois modules bidirectionnels et prêts pour la haute définition assurant la suppression des surtensions pour les lignes coaxiales

## Introduction

Depuis plus de 33 ans, Furman ne cesse d'innover en matière de produits de conditionnement d'alimentation c.a. destinés aux professionnels les plus exigeants œuvrant dans les domaines de l'audio, de la vidéo et de la radiodiffusion. Bien que le besoin pour une alimentation c.a. parfaite ait toujours existé, la technologie du IT-Reference 16E i et sa mise en œuvre unique sont révolutionnaires et sans égal.

Les besoins importants en alimentation c.a. qu'exige le matériel audio-vidéo professionnel ont conduit à des développements technologiques beaucoup plus poussés que ceux applicables aux produits d'alimentation types de cinéma-maison et d'audiophile. Pour les studios, les installations de sonorisation et de radiodiffusion, les défaillances sont inacceptables. Les pannes d'équipement et les mauvais rendements sont source de dépenses importantes. Il en est de même pour les cinémas-maison actuels. Notre technologie fondée sur des solutions, notre grande expertise en matière d'ingénierie et notre qualité de fabrication ont surmonté les enjeux que posent les lignes d'alimentation viciées d'aujourd'hui et ont conduit à la création du IT-Reference 16E i.

Le bruit en augmentation constante affecte les lignes d'alimentation d'aujourd'hui. Lorsque le bruit c.a. atteint les composants critiques de votre système, il masque les signaux de faible intensité et détériore le rendement. Ces signaux sont importants car ils transmettent les harmoniques essentielles et l'ambiance au niveau du son, ainsi que la profondeur et la netteté au niveau de l'image. Grâce à la technologie d'alimentation discrète symétrique exclusive à Furman, les écrans vidéo, les projecteurs, les lecteurs CD et DVD, les préamplificateurs et les convertisseurs reçoivent une alimentation à faible bruit et filtrée de façon linéaire, ainsi qu'une alimentation discrète symétrique contribuant à réduire considérablement le bruit c.a. tout en assurant le fonctionnement supérieur de vos composants critiques. Pour la première fois, vous obtiendrez un système de cinéma-maison ou un système de sonorisation sans compromis autant au niveau de l'image qu'au niveau du son.

De plus, notre source d'alimentation discrète et symétrique assure une isolation complète par rapport aux autres composants reliés aux autres sources d'alimentation c.a. Elle supprime complètement les barres et le ronflement dus au bruit provenant des boucles de masse, ainsi que le reflux du système d'alimentation entre tous les équipements sensibles interconnectés, sans compromettre la sécurité au niveau électrique. Ainsi, les écrans plasma reçoivent une alimentation c.a. sans contamination par la terre depuis un lecteur CD et les préamplificateurs-processeurs assurent un fonctionnement sans bruit numérique causant une dégradation de la performance depuis un récepteur de signaux satellite.

L'unité IT-Reference 16E i utilise également notre circuit de correction du facteur de puissance exclusif. Enfin, les composants vidéo, numériques et analogiques de faible puissance ne seront plus modulés ou déformés en raison des demandes extrêmes en courant c.a. de l'amplificateur de puissance. De plus, l'amplificateur de puissance profite d'une alimentation c.a. hautement filtrée et à impédance extrêmement basse. En fait, l'unité IT-Reference 16E i est munie d'une réserve en courant continu de 9 A (charge de crête de plus de 80 A) pour les besoins en courant les plus extrêmes. Cette technologie permet aux amplificateurs de puissance et aux caissons d'extrêmes graves de fournir un rendement optimal en atteignant des niveaux de performance auparavant impossibles à réaliser.

---

La performance de votre amplificateur ne sera plus jamais compromise par l'alimentation c.a. qui entre dans votre maison ou par des dispositifs de protection et de filtrage c.a. de piètre qualité. L'effet est si frappant que vous aurez l'impression que votre amplificateur fournit le double de puissance et qu'il offre une qualité considérablement améliorée.

Lorsque vous utiliserez le IT-Reference 16E i, vous constaterez immédiatement que votre système offre un son et des images beaucoup plus clairs et beaucoup plus précis. Vos présentations vidéo seront plus nettes et leurs couleurs plus réalistes grâce à une meilleure définition des niveaux de gris et de noir, et elles présenteront une profondeur et une clarté grandement améliorées. Les sons transitoires seront rapides avec des moyennes et hautes fréquences à la fois douces et pures, tandis que les images seront nettement améliorées, sans compromettre les qualités propres à votre système.

## Installation

### Déballage

Avant d'ouvrir l'emballage de votre unité, inspectez ce dernier de façon à repérer tout dommage évident et important ayant été causé à la boîte et aux matériaux de protection internes. S'il s'avère évident que le contenu de la boîte a été endommagé, contactez le transporteur qui a livré l'unité avant d'ouvrir l'emballage. Si, après avoir ouvert l'emballage, vous constatez que des dommages sont survenus en cours de transport, contactez le transporteur. Conservez tous les matériaux d'emballage et d'expédition. Vous en aurez besoin dans l'éventualité d'un retour de l'unité à l'usine aux fins de réparation.

La boîte devrait contenir l'unité IT-Reference 16E i, un cordon c.a. amovible, un ensemble de montage en bâti, un guide d'utilisation et une fiche d'enregistrement et de garantie. S'il manque un de ces éléments, veuillez contacter le service à la clientèle de Furman. Complétez et retournez votre fiche d'enregistrement et de garantie ou enregistrez le produit en ligne à l'adresse [www.FurmanSound.com](http://www.FurmanSound.com). L'enregistrement est recommandé et nous permet de déterminer si l'unité est sous garantie dans l'éventualité de la perte de vos documents de propriété originaux, en plus de nous permettre de vous informer des mises à niveau ou de vous transmettre d'autres renseignements importants.

### Information sur la sécurité et avertissements

Veuillez lire et appliquer toutes les consignes de sécurité et d'utilisation avant d'installer votre IT-Reference 16E i. Conservez ce guide aux fins de référence ultérieure.

- Il est interdit de démonter ou de modifier l'unité par quelque moyen que ce soit. Cette unité ne renferme aucune pièce remplaçable par l'utilisateur.
- Vous devez conserver l'unité dans un endroit sec et la protéger contre l'humidité excessive.
- Vous devez prévenir la pénétration de liquides ou de corps étrangers dans l'unité. Les équipements d'éclairage domestiques ne doivent pas être reliés au IT-Reference 16E i car leurs douilles ne sont pas compatibles avec l'alimentation symétrique et peuvent, par conséquent, présenter un risque de choc électrique. Nous recommandons de connecter seulement des équipements informatiques, audio et vidéos à l'unité IT-Reference 16E i.

*Votre IT-Reference 16E i devrait être réparé par un technicien de service qualifié dans les cas suivants :*

- Le cordon d'alimentation ou la fiche a été effilochée, déformée ou coupée.
- Un corps étranger ou un liquide a pénétré à l'intérieur de l'unité.
- L'unité IT-Reference 16E i a été exposée à la pluie ou à l'humidité.
- L'unité IT-Reference 16E i semble ne pas fonctionner normalement ou sa performance s'est dégradée.
- L'unité IT-Reference 16E i est tombée ou le boîtier est endommagé.

### Source d'alimentation

La source d'alimentation à laquelle est reliée l'unité IT-Reference 16E i doit être adéquate de façon à assurer un fonctionnement à 16 Ampères. Bien que l'unité puisse fonctionner au moyen d'une prise de courant de 10 A, des déclenchements nuisibles au niveau du panneau à disjoncteurs peuvent se produire. Si votre système comprend des amplificateurs de puissance audio multicanaux nécessitant une puissance plus importante, un disjoncteur calibré à 16 A est essentiel pour assurer une performance optimale.

## Montage

L'unité IT-Reference 16E i est dotée de quatre pieds en caoutchouc de manière à permettre une installation sur tout type de table, d'armoire, d'étagère ou de plancher capable de soutenir un poids de 40 kg. Ces pieds sont faciles à retirer au moyen d'un tournevis Philips standard pour assurer le montage en bâti à côté d'autres composants. En raison du blindage interne de l'unité IT-Reference 16E i, son installation à proximité d'autres composants est sans danger. En outre, l'unité IT-Reference 16E i ne produit aucune chaleur appréciable sous des conditions normales d'utilisation et elle peut être montée en bâti dans une baie standard de 19 po en utilisant les équerres de montage en bâti. Ces équerres de montage (incluses dans l'emballage en plastique d'ensemble de montage) sont montées à fleur à l'arrière de la surface du panneau avant de l'unité IT-Reference 16E i. Elles se fixent au châssis en retirant les deux (2) vis à tête fraisée plate situées dans les coins avant du panneau supérieur. L'installation de chaque équerre de montage exige trois (3) vis Philips à tête cylindrique bombée incluses dans l'ensemble de montage de l'unité IT-Reference 16E i. Pour le montage en bâti, nous recommandons une installation dans la baie la plus près du sol en raison du poids de l'unité IT-Reference 16E i (40 kg.).

Si le transport des bâtis est nécessaire, nous recommandons de procéder à un montage avec support arrière en raison du poids élevé de l'unité IT-Reference 16E i. L'ensemble de support arrière n'est pas nécessaire dans le cas d'une installation fixe. Il s'agit d'un accessoire offert en option et disponible auprès de votre détaillant Furman. Numéro de modèle du support arrière : RRM-3 REF.

## Connexion

### Acheminement du câble c.a.

Une fois l'unité IT-Reference 16E i installée, l'extrémité femelle de son cordon d'alimentation doit être reliée au connecteur IEC mâle situé sur le côté gauche du panneau arrière (si vous faites face au panneau arrière). Ensuite, la fiche Edison mâle doit être reliée à une prise appropriée (se reporter aux recommandations susmentionnées sur le courant nominal).

Ce cordon c.a. véhicule un courant c.a. non équilibré qui est considérable. Il devrait être installé à l'écart des câbles porteurs de signaux importants ou ces derniers devraient se croiser à un angle de 90 degrés. Il devrait en être ainsi pour les cordons c.a. des amplificateurs de puissance branchés sur les prises à filtrage c.a. d'amplificateurs de puissance – haute intensité de l'unité IT-Reference 16E i. Tous les autres composants reliés aux prises d'alimentation discrète symétrique des blocs (A) à (C) utilisent une alimentation c.a. symétrique et n'émettront pratiquement aucun champ; cette technologie permet une installation sans danger.

### Branchement de composants sur les prises d'alimentation symétrique

Les prises d'alimentation symétrique de l'unité IT-Reference 16E i devraient être utilisées pour tous les composants autres que des récepteurs avec amplification de puissance, des amplificateurs de puissance, des caissons d'extrêmes graves ou des enceintes amplifiées. Chaque bloc d'alimentation discrète, de (A) à (C), comporte deux sorties en parallèle qui sont symétriquement équilibrées, filtrées et complètement isolées des blocs de sortie adjacents ou des quatre (4) prises d'amplificateurs de puissance – haute intensité. Il est important de souligner qu'en raison du positionnement en parallèle des prises de chaque bloc c.a., un bruit au niveau de l'alimentation du composant pourrait potentiellement remonter entre ces unités.

Pour cette raison, il est recommandé que les systèmes comportant peu de composants (quatre unités au maximum, sans tenir compte des amplificateurs de puissance) utilisent un bloc d'alimentation indépendant par composant. Cela aura pour effet d'optimiser la performance en supprimant totalement la contamination et le bruit c.a. entre les composants! Pour les systèmes comportant un nombre plus élevé de composants, il sera possible d'atteindre de hautes performances grâce à un acheminement minutieux des cordons c.a. des composants vers les quatre blocs de prises d'alimentation discrète de l'unité IT-Reference 16E i. Nous vous recommandons de séparer les processeurs numériques, ainsi que les lecteurs DVD et CD des préamplificateurs, des syntoniseurs et des magnétophones. De plus, les écrans vidéo et les convertisseurs devraient idéalement être séparés des composants audio.

## Branchement de composants sur les prises d'amplificateurs de puissance – haute intensité

Beaucoup de systèmes audio et de cinéma maison haut de gamme ont des besoins combinés et continus en courant nettement inférieurs à 16 A. En fait, il est rare que les gros amplificateurs de puissance consomment de façon continue un courant de plus de 4 Ampères.

Pour obtenir une performance optimale, il est essentiel que le filtre c.a. ait une impédance exceptionnellement faible et la capacité de surpasser de façon importante le courant nominal efficace (en continu) de façon à répondre aux demandes maximales de courant. L'unité IT-Reference 16E i est conçue pour répondre à cette exigence, et plus encore. En effet, notre circuit de correction du facteur de puissance crée de façon efficace une réserve de courant supplémentaire de plus de 80 A, à la fois plus propre et plus performant que celui d'une ligne dédiée provenant de la centrale électrique régionale. Cette fonction élimine toute préoccupation quant à la compression de courant pouvant résulter de l'utilisation de conditionneurs d'alimentation ordinaires. En fait, le circuit de correction du facteur de puissance de Furman assure une impédance c.a. plus basse et un courant sur demande qui optimisent considérablement la performance de tout amplificateur de puissance.

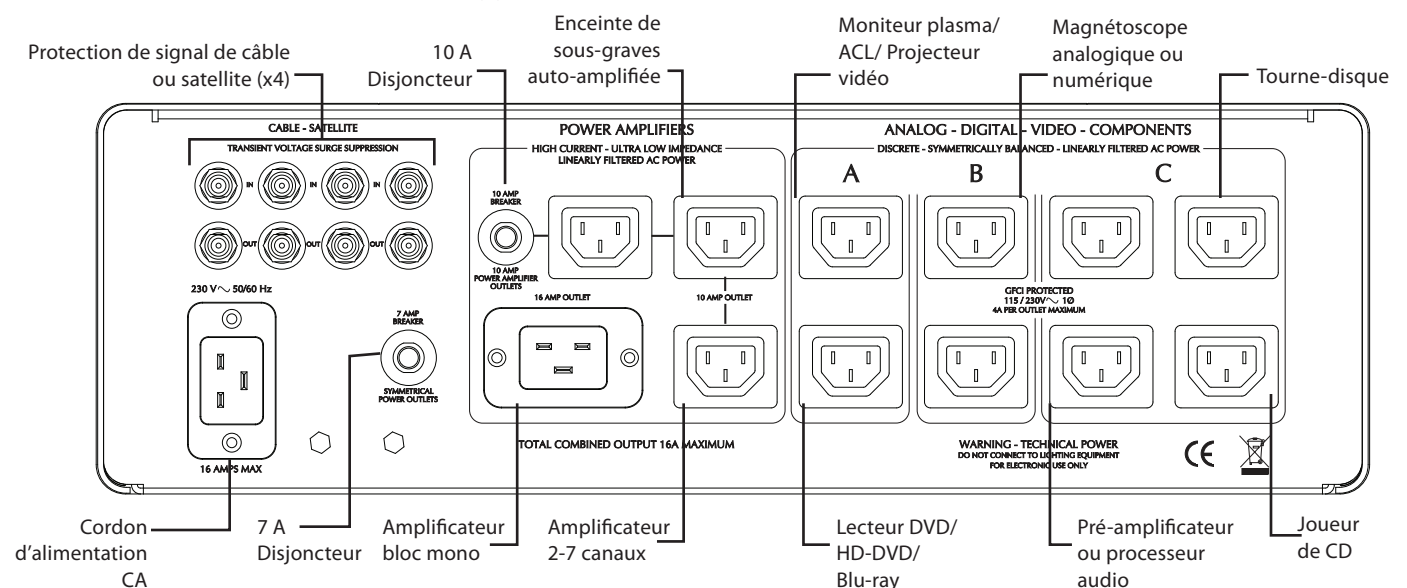
### Remarque à propos de la technologie du facteur de puissance et de la consommation d'énergie

Lorsque la technologie de technologie du facteur de puissance est utilisée (transitoire ou RMS), même les disjoncteurs les plus perfectionnés percevront une augmentation de la charge en courant. Bien que l'unité IT-Reference 16E i ait été conçue pour un fonctionnement en continu à 16 A, en tenant compte que les demandes de courant de crête sont beaucoup plus importantes, l'appel de puissance total maximum en continu peut être limité selon une plage variant entre 2 400 et 3 600 W par unité IT-Reference 16E i utilisée.

La puissance efficace disponible avant le déclenchement du disjoncteur varie grandement en fonction de la réactance de la charge (vecteur). Plus simplement, le type de systèmes d'alimentation ou de circuits électroniques connectés à l'unité IT-Reference 16E i auront un effet sur la charge de courant perçue par les disjoncteurs et, par conséquent, sur le déclenchement de ces derniers. Bien que les avantages que procure la technologie du facteur de puissance l'emportent sur l'appel de puissance en continu réduit, ce facteur doit être pris en compte au moment de concevoir un système de grande envergure exigeant des besoins importants en courant.

L'appel de puissance en continu total de la plupart des composants électroniques est généralement exprimé en watts sur une plaque signalétique située près de leur cordon c.a. ou de leur connecteur c.a. Cette puissance de fonctionnement est simplement ajoutée pour indiquer l'appel de puissance efficace totale du système. Il est important de souligner que le circuit de correction du facteur de puissance de l'unité IT-Reference 16E i n'a réellement aucun effet sur le courant débité depuis le compteur de votre établissement. L'unité IT-Reference 16E i utilise environ 8,5 W, sans tenir compte des autres composants, ce qui vous permet de la laisser sous tension en tout temps.

## Panneau Arrière / Raccordement Suggéré



## Mise sous tension sans appel de courant (Soft Start) – Utilisation continue et temps de fonctionnement

À la mise sous tension de l'unité IT-Reference 16E i (l'interrupteur d'alimentation du panneau avant doit être en position On), la fonction Soft Start est activée. Vous entendrez un claquement à la première mise sous ou hors tension de l'unité IT-Reference. Ce bruit est produit par l'engagement ou le désengagement du relais de 30 A du circuit de mise sous tension sans appel de courant. Pratiquement aucun élément au niveau de la construction, de la conception ou des composants de l'unité IT-Reference 16E i ne s'usera au cours de la durée de vie du produit, et il n'y a aucun appel de courant important, à l'exception de l'indicateur d'alimentation à DEL, du relais et du circuit de protection GFCI. Pour ces raisons, l'unité IT-Reference 16E i peut demeurer sous tension de façon permanente à un coût mensuel minime. Il s'agit d'un avantage supplémentaire puisque beaucoup d'audiophiles et de vidéophiles constatent une amélioration considérable au niveau de la performance lorsque les composants de faible puissance sont allumés (sous tension) de façon permanente. En fait, cela est vrai dans le cas de l'unité IT-Reference 16E i. Bien que le produit fonctionne parfaitement au sortir de la boîte, la performance des différents circuits s'améliorera après environ deux semaines d'utilisation continue ou de fonctionnement.

## Disjoncteur de fuite à la terre (GFCI)

Les quatre prises d'alimentation c.a. discrète symétrique et équilibrée de l'unité IT-Reference 16E i offrent une alimentation c.a. symétrique par laquelle le Neutre et le Positif du câble c.a. ont une tension de 110 V c.a. en polarité opposée, par rapport à la terre (0 V c.a.). Il s'agit d'un des avantages de l'unité IT-Reference 16E i comparativement aux autres circuits de protection/filtre c.a.

Bien que pratiquement tous les équipements électroniques fabriqués au pays soient conçus pour détecter les court-circuits et les autres problèmes d'équipement potentiellement dangereux au niveau du fil d'alimentation relié à son Neutre, cela en est autrement lorsque l'alimentation est symétrique. Le neutre et le positif des prises symétriques de l'unité IT-Reference 16E i ont une tension de 110 V c.a. par rapport à leur borne de terre. Cela ne cause aucun problème ou risque pour la sécurité, à moins qu'il y ait une défaillance au niveau du transformateur de l'unité IT-Reference 16E i ou du système d'alimentation d'un composant connecté. Dans ce cas, nous devons prioriser la sécurité. La solution est notre disjoncteur de fuite à la terre GFCI (Ground Fault Circuit Interrupter).

Le GFCI de Furman détecte toute variation d'intensité de courant au niveau des deux fils portant l'alimentation. On suppose que le courant manquant passe par le conducteur de terre (la broche ronde sur une prise c.a.). Le courant de terre indique souvent la présence d'un court-circuit dangereux. Si une variation est détectée, le GFCI déclenchera le disjoncteur interne des prises, et la prise c.a. double ne pourra en aucune façon fournir l'alimentation c.a. Pour rétablir l'unité, vous devez corriger la défaillance, appuyer sur la touche Reset située entre les deux prises c.a. symétriques noires. Une intensité de courant de 5 mA suffit à déclencher le GFCI; pour résoudre ce problème, débranchez tous les appareils connectés aux prises d'alimentation symétrique de l'unité IT-Reference 16E i. Ensuite, connectez un par un les appareils jusqu'au déclenchement du GFCI. Le fabricant de l'appareil en cause saura vous proposer les solutions possibles.

Il est recommandé de tester une fois par an l'interrupteur GFCI de l'unité IT-Reference 16E i. Il vous suffit d'appuyer sur le bouton " GFI TEST". Le fonctionnement adéquat du GFCI aura pour effet de déclencher le commutateur d'alimentation/disjoncteur principal de manière à couper l'alimentation. Après avoir vérifié le bon fonctionnement du GFCI, vous n'avez qu'à rétablir l'alimentation en remettant le commutateur d'alimentation/de disjoncteur à la position On.

## Suppression de surtension transitoire pour lignes c.a.

L'unité IT-Reference 16E i est capable de supprimer pratiquement toute surtension instantanée qui est causée par la foudre ou les installations électriques commerciales grâce en partie aux éléments ultra réactifs du circuit de correction du facteur de puissance pour lignes c.a. de l'unité IT-Reference 16E i. De plus, le circuit résiste aux pointes de tension importantes et instantanées de façon à ce qu'il n'y ait aucune pièce à réparer ou à remplacer à la suite d'un incident causé par une surtension transitoire. Cependant, il est important de souligner que la conception n'intègre pas de circuit ou de dispositif de régulation en cas de variations de tension répétées. Les fins auxquelles est destinée l'unité IT-Reference 16E i ne nécessitent généralement pas ces fonctions. Si votre application exige spécifiquement une régulation c.a., un arrêt en cas de variations de tension ou une distribution séquentielle de courant, Furman offre une gamme complète de produits répondant à ces besoins.



---

## Suppresseurs de surtension transitoire pour lignes de signaux numériques par satellite - lignes coaxiales de câblodistribution

L'unité IT-Reference 16E i assure une suppression de surtension transitoire autant pour les lignes coaxiales de câblodistribution et les lignes de signaux numériques par satellite utilisant des connecteurs coaxiaux standard. Comme ces supresseurs de surtension fonctionnent en ligne (en ligne), ils requièrent un câble additionnel pour relier leur sortie au dispositif de contrôle nécessitant une protection.

Tous les supresseurs de surtension en ligne sont dotés de notre technologie exclusive prévenant la contamination par la terre. Cette dernière permet d'éliminer les bruits stridents au niveau audio et les barres de ronflement au niveau vidéo qui sont produits par les supresseurs en ligne ordinaires. De plus, nos supresseurs pour lignes coaxiales de câblodistribution et lignes de signaux numériques par satellite sont compatibles avec les systèmes d'enregistrement sur disque dur (TIVO) et DV-R et sont prêts pour la télévision haute définition numérique. Autant les signaux de porteuse que les signaux en bande large sont pris en charge par notre circuit. En fait, la perte au niveau de la bande passante est de moins de 0,1 dB à 1 GHz!

Pour brancher vos câbles à ces dispositifs de protection en ligne, il vous suffit de suivre les indications in et out indiquées à côté des connecteurs Cable et (ou) Satellite.

**REMARQUE :** *il est impossible d'obtenir un circuit de protection en ligne sans entretien pour lignes coaxiales de câblodistribution et lignes de signaux numériques par satellite, comme nous l'avons fait pour les modèles de 230 V c.a. Cela nécessiterait une largeur de bande réduite ne permettant pas la transmission du signal. Sous des conditions extrêmes, il est possible que la suppression de la surtension d'un de ces dispositifs soit sacrifiée à la suite d'un événement catastrophique. Si les signaux téléphoniques ne sont plus protégés, veuillez contacter le représentant de votre région, votre installateur ou Furman aux fins de réparation. Ces circuits étant modulaires, leur remplacement par un nouveau module TVSS peut être effectué en quelques secondes. Pour tester cette situation, il vous suffit de débrancher le câble avec prises d'entrée et de sortie de l'unité IT-Reference 16E i. Branchez la prise d'entrée sur le composant qui recevait précédemment la prise de sortie de façon à outrepasser le circuit de protection en ligne. S'il y a présence du signal (alors qu'il n'y en avait pas en utilisant l'unité IT-Reference 16E i), cela signifie que le circuit de protection est endommagé (en supposant qu'il fonctionnait normalement avant l'orage ou l'événement catastrophique).*

### Indicateur d'arrêt an cas d'extrême tension Extrême Voltage

L'indicateur d'arrêt an cas d'extrême tension est normalement éteint. Il détecte les défauts de câblage c.a. – par exemple, la connexion accidentelle à un fil neutre. Le circuit EVS (Extreme Voltage Shutdown) détecte les tensions suffisamment élevées pouvant empêcher le fonctionnement et coupe l'alimentation avant que ne surviennent d'éventuels dommages. À la mise sous tension de ces unités, l'indicateur DEL d'arrêt an cas d'extrême tension s'allumera si la tension d'entrée excède le seuil de tension extrême, et les prises de l'unité ne seront plus alimentées. Si l'unité fonctionne avec une tension d'entrée acceptable et que la tension excède par la suite 270 V, il coupera l'alimentation de la prise et l'indicateur DEL d'arrêt an cas d'extrême tension s'allumera.

## Garantie

Furman Sound, LLC garantit à l'acheteur original de l'unité Furman IT-Reference 16E i, que ce produit sera exempt de tout défaut de matériel et de fabrication pendant une période de cinq ans à compter de la date d'achat. L'acheteur de ce produit a quinze jours à compter de la date d'achat pour compléter par Internet (sur le site Web de Furman) ou par la poste l'enregistrement dudit produit aux fins de garantie, faute de quoi l'acheteur verra sa période de garantie réduite à un an à compter de la date d'achat.

Advenant que le produit ne fonctionne pas tel que spécifié ci-dessus au cours de la période de garantie limitée, l'acheteur doit informer Furman par écrit des prétendus défauts. Si le type et la nature des défauts sont couverts par la présente garantie, Furman autorisera l'acheteur à retourner le produit à l'usine Furman ou à un centre de réparation autorisé de Furman. Les demandes au titre de la garantie devraient être accompagnées d'une copie de la facture originale indiquant la date d'achat; sauf dans le cas où un Enregistrement de garantie (Warranty Registration) a été complété en postant une fiche de garantie dûment remplie ou en ligne par le biais du site Web Furman. Les frais d'expédition à l'usine Furman ou à un centre de réparation autorisé de Furman sont assumés à l'avance par l'acheteur du produit. Furman doit, à ses frais, fournir un produit de remplacement ou, à la discrétion de Furman, réparer le produit défectueux. Les frais d'expédition aux fins de retour à l'acheteur seront assumés par Furman.

**GARANTIE COUVRANT L'ÉQUIPEMENT CONNECTÉ :** la garantie de Furman Sound concernant l'équipement connecté couvre l'équipement endommagé par la tension transitoire (un « Événement ») alors qu'il est adéquatement connecté par l'entremise du Furman IT-Reference 16E i à une ligne d'alimentation c.a. correctement câblée avec une mise à la terre à l'intérieur d'un lieu. La garantie de Furman Sound couvrant l'équipement connecté est limitée au montant de la franchise prévue à la police d'assurance de biens meubles de l'acheteur jusqu'à concurrence de 500 \$. Pour toute demande au titre de cette garantie couvrant l'équipement connecté, l'acheteur doit envoyer à Furman une copie de sa demande de réclamation au titre de son assurance de biens meubles relativement à l'équipement endommagé et compléter le formulaire de demande au titre de la garantie de Furman couvrant l'équipement connecté (appelez Furman au (707) 763-1010 pour obtenir ce formulaire). Furman se réserve le droit d'examiner le produit Furman endommagé, l'équipement connecté qui a été endommagé et le lieu où les dommages sont survenus. Tous les frais d'expédition d'un équipement endommagé à Furman aux fins d'inspection doivent être assumés par l'acheteur. L'équipement endommagé doit être disponible aux fins d'inspection jusqu'à la fin du traitement de la demande. La garantie de Furman couvrant l'équipement connecté est également valable pour une période de cinq ans à moins que l'acheteur ne complète pas l'enregistrement de garantie dans les quinze jours suivant la date d'achat, délai après lequel la garantie couvrant l'équipement connecté sera réduite à un an à compter de la date d'achat.

Toutes les garanties contenues dans les présentes sont nulles et sans effet si : le limiteur de surtension de Furman en fonction pendant l'événement n'est pas envoyé à Furman (à la charge de l'acheteur) aux fins d'inspection à la demande de Furman; Furman détermine que le limiteur de surtension de Furman a été ouvert, incorrectement installé, modifié de façon quelconque ou trafiqué; Furman détermine que les dommages ne résultent pas de l'Événement ou qu'aucun Événement n'a eu lieu; ou si Furman détermine que l'équipement connecté n'a pas été utilisé sous des conditions normales d'utilisation ou selon les instructions proposées par le Fabricant de l'équipement connecté. Tous les limiteurs de surtension de Furman doivent être reliés directement à une ligne d'alimentation c.a. adéquatement câblée. Les adaptateurs à deux et à trois broches et les autres rallonges ne sont pas permis. De telles installations auraient pour effet d'annuler la présente garantie. La garantie de Furman couvre uniquement les dommages causés à l'équipement correctement connecté et qui, à la discrétion de Furman, résultent d'un Événement. Elle ne couvre pas les dommages attribuables à l'un ou l'autre des cas fortuits (autre que la foudre) suivants : inondation, tremblement de terre, guerre, acte de terrorisme, acte de vandalisme, vol, usure normale, usage abusif, mauvais traitement, érosion, déplétion, désuétude, dommages résultant d'une basse tension (c.-à-d. panne de courant localisée ou baisse de tension), programme non autorisé, modification ou altération de l'équipement. En aucun cas vous ne devez utiliser ce produit avec une génératrice, un appareil de chauffage, une pompe de puisard, un appareil dont l'utilisation est liée à l'eau, un appareil de maintien en vie, un appareil médical, un chargeur de batterie pour automobile, motocyclette, ou voiturette de golf. À utiliser à l'intérieur et dans un endroit sec seulement. Toutes les garanties contenues dans les présentes seront nulles et sans effet si le produit est utilisé de quelque façon que ce soit avec tout appareil susmentionné.

**CETTE GARANTIE REMPLACE TOUTES LES AUTRES GARANTIES, EXPRESSES OU IMPLICITES, Y COMPRIS MAIS SANS S'Y LIMITER, TOUTES LES GARANTIES IMPLICITES DE COMMERCIALITÉ ET DE CONFORMITÉ A UN USAGE PARTICULIER.** La garantie de Furman ne couvre pas les dommages ou défauts résultant d'un usage ou d'une manipulation inappropriée ou anormale du produit; les dommages ou défauts résultant d'une installation inadéquate; les défauts d'un produit ou de composants non fabriqués par Furman; les dommages résultant de l'utilisation de produits ou de composants non fabriqués par Furman. Furman se réserve le droit d'annuler cette garantie dans l'éventualité où le produit a été modifié de quelque façon que ce soit sans l'autorisation écrite de Furman. De plus, cette garantie ne s'applique pas aux produits qui ont été altérés ou réparés par des personnes autre que celles dont il est fait mention dans l'autorisation écrite de Furman.

**CETTE GARANTIE EST EXCLUSIVE.** L'obligation exclusive de Furman consiste à réparer ou à remplacer le produit défectueux de la façon et pendant la période susmentionnées. Furman n'a aucune autre obligation relativement à ce produit ou à toute pièce de celui-ci, qu'elle soit basée sur le contrat, la négligence, la responsabilité stricte ou autre. En aucun cas, que ce soit en vertu de cette garantie limitée ou autre, Furman ne sera responsable des dommages consécutifs, spéciaux ou indirects. TOUT ÉNONCÉ ORAL OU ÉCRIT de la part des employés ou des représentants de Furman NE CONSTITUENT PAS UNE GARANTIE, ne doit pas être pris en compte par l'acheteur et ne fait pas partie du contrat de vente ou de cette garantie limitée. Cette garantie limitée expose l'intégralité de l'obligation de Furman relativement au produit. Si une partie de cette garantie limitée est jugée nulle ou illégale, le reste demeure en vigueur.

Les demandes en vertu de la garantie devraient être accompagnées d'une copie de la facture originale indiquant la date d'achat; sauf dans le cas où un Enregistrement de garantie (Warranty Registration) a été complété en postant une fiche de garantie à la suite de l'achat ou le produit a été enregistré en ligne. Avant de retourner tout équipement aux fins de réparation, veuillez vous assurer qu'il est adéquatement emballé et protégé contre les dommages pouvant survenir en cours de transport, et qu'il est assuré.

Le texte original anglais de couverture de garantie servira en cas de litige.

## Spécifications

### Capacité de courant c.a. :

Entrée : source avec capacité de 16 Ampères requise

Sortie : courant efficace de 8 à 16 A \* (maximum, toutes les prises combinées – en continu)

*\* En raison du circuit de technologie du facteur de puissance, la puissance efficace disponible varie selon la réactance de la charge (vecteur). Toutefois, cela affecte uniquement le disjoncteur au niveau de l'appel de puissance efficace en continu.*

*Puisque les amplificateurs de puissance ont des besoins élevés en courant transitoire, l'unité IT-Reference 16E i ne sera jamais affectée par la compression de courant. Bien au contraire, elle améliorera l'alimentation de l'amplificateur de puissance, tout en réduisant l'impédance d'entrée c.a. de manière à en maximiser le fonctionnement.*

### Atténuation du bruit :

#### Mode transversal (différentiel)

>20 dB de 1 kHz à 2 kHz;

>40 dB de 2 kHz à 100 kHz;

>80 dB de 100 kHz à 1 GHz

(courbe d'atténuation linéaire avec impédance de ligne de 0,05 à 100 ohms)

#### Mode commun

> 95 dB de 10 Hz à 50 kHz;

> 40 dB de 50 kHz à 1 MHz

### Prises :

8 (prises d'alimentation discrète symétrique)

4 (prises avec correction du facteur de puissance – réserve de 9 A RMS – charge résistive – charge de crête de plus 80 A)

### Suppression de surtension transitoire :

#### Ligne 230 V c.a.

non sacrificiel avec contamination nulle par la terre

Extreme Voltage Shutdown (>270V)

#### Telco Câble / Satellite

perte de moins de 0,1 dB au niveau de la ligne

### Dimensions (H x L x P) :

152mm H x 432mm L x 413mm P (format 3U standard sans les pieds)

### Poids :

40 kg.

### Consommation d'énergie :

8,5 W pour l'affichage et les circuits de commande indépendamment de la charge réelle

## Características

- Energía Simétrica Discreta que elimina el ruido del audio y video
- Banco de energía que elimina los componentes que interfieren en el sonido
- Provee corrección del factor energía, o demanda de problemas con el amplificador
- Tecnología de filtrado lineal para una claridad incomparable de audio y video
- Protección de CA libre de Mantenimiento
- La parada extrema del voltaje protege contra averías peligrosas del cableado
- Tres módulos supresores coaxiales bidireccionales de alta definición

## Introducción

Por más de 33 años, Furman se ha caracterizado por ser pioneros y profesionales exigentes en el desarrollo de los más demandados productos de protección de CA para audio y video. La necesidad de protección para corriente alterna no es nada nuevo, y la experiencia de la tecnología IT-Reference 16E i la hace sin duda alguna única y revolucionaria en el mercado.

Las demandas extremas de CA encontradas en el área del audio y video profesional han requerido progresos tecnológicos altos en comparación con los productos caseros típicos de la energía de teatro y audio video. En estudios, audio y video en vivo, e instalaciones de la difusión, donde la interrupción es inaceptable. La falta de equipo o la degradación de las prestaciones son costosas. Al igual que el teatro casero de hoy. Nuestra solución basada en tecnología, maestría extensa de la ingeniería, y calidad robusta de la estructura han contestado al desafío de las corrompidas líneas de energía actuales, y han conducido a la creación de las líneas de la CA del IT-Reference 16E i.

Actualmente las líneas CA se plagan siempre con el ruido en aumento. Cuando encontramos los pares del ruido del CA en los componentes críticos del sistema, éste enmascara señales de bajo nivel y dañan su funcionamiento. Este contenido de bajo nivel es crítico porque retransmite los armónicos y el ambiente crucial en audio, y la profundidad y claridad en vídeo. Con el IT-Reference 16E i la energía exclusiva simétrica discreta alimentan las pantallas, los proyectores, CD-DVD, los preamplificadores, y los escaladores video de banda ancha con energía linear-filtrada, o energía simétrica discreta. Esto reduce dramáticamente el ruido de la CA, asegurando la operación máxima de sus componentes críticos. La primera vez, usted verá y oirá su teatro o sistema audio como debe ser sin ningún inconveniente.

Además, nuestra energía simétrica discreta ofrece el aislamiento total entre los enchufes actuales y los bancos simétricos aislados del enchufe del CA de la energía. Esto rompe positivamente el ruido, las barras del ronquido, y la turbulencia de tierra de la fuente de alimentación entre el equipo interconectado crítico, todo sin el compromiso de seguridad eléctrica. Esto permite al proyector del plasma, de la pantalla del LCD, o video proyector funcionar sin la contaminación de tierra de CA de un procesador audio o de los amplificadores de energía.

El IT-Reference 16E i también utiliza nuestro único Factor de Poder de Corrección en Circuito. Por primera vez, en demandas actuales, el bajo nivel análogo, digital y componentes de video no son modulados o se tuerce el extremo del amplificador de energía CA. Además, el amplificador de energía muestra una fuente altamente filtrada, extremadamente baja de corriente de energía CA. El IT-Reference 16E i, de hecho, cuenta con 4.5 amperios de la reserva de la corriente continua (sobre 80 amperios. en carga de pk.) para la más extrema energía máxima que exige. Esta tecnología permite a los amplificadores de energía y a los subwoofers accionados trabajar en los niveles máximos de la eficacia y al alcance del funcionamiento previamente inalcanzable.

El funcionamiento de su amplificador depende de la corriente alterna entrante casera o dispositivos inferiores del CA protección y filtración. El efecto neto es como si su amplificador de energía haya doblado casi la energía y haya mejorado inmensurablemente en calidad.

Al emplear el IR-REF 16 usted podrá darse cuenta inmediatamente de la claridad, sonido espectacular y unas excelentes imágenes desde su sistema. La definición del video será resplandeciente a color con una verdadera escala de grises. Los transientes sonicos serán estratégicamente rápidos con base fundamentales que sacudirán el fondo con su peso y su impacto inverso. Frecuencias medianas y altas se darán a conocer con suavidad, mientras la imagen mejora dramáticamente.

---

## Instalación

### Desempaque

Antes de desempacar su unidad, examine el cartón para saber si hay cualquier daño severo obvio en la caja y a los materiales internos. Si hay algún daño interno, entre en contacto con la persona que entregó la unidad antes de proceder con el desempaque. Si después de desempacar, los daños de la unidad son evidentes, entre en contacto con el portador y conserve los materiales del envío y de desempaque. Usted podría necesitarlos si tiene que devolver la unidad a la fábrica que le brindo el servicio.

La caja contiene el IT-Reference 16E i, el cable desmontable del CA, el juego del montaje del rack, su manual, y la tarjeta del registro de la garantía. Si cualquier cosa de lo mencionado faltara, por favor entre en contacto con servicio al cliente de Furman. Llene y devuelva su tarjeta del registro de la garantía. Se recomienda el registro de garantía porque puede ser utilizado para establecer que la unidad esta dentro del período de la misma, ya que si se pierden sus documentos originales de la propiedad o unidad, nos compromete en informarle sobre las mejoras u otra información vital para su uso.

### Información de seguridad – Advertencias

Por favor leer y observar todas las instrucciones de seguridad y de funcionamiento antes de que utilice el IT-Reference 16E i. Conserve estas instrucciones para avocarse a ellas en un futuro.

- No desmontar ni modificar de cualquier manera. Ninguna parte dentro es inservible.
- Mantener lejos de la humedad y evite la humedad excesiva.
- No permitir líquidos u objetos extraños dentro del equipo
- El equipo de la iluminación de la casa no se puede conectar con él IT-Reference 16E i porque sus zócalos no están diseñados para el uso con energía simétrica y puede presentar un peligro de choque. Recomendamos que se conecte al IT-Reference 16E i solamente el equipo audio, vídeo y ordenador del tratamiento.

#### *El IT-Reference 16E i debe mantener un servicio personal calificado cuando:*

- El cable de la fuente de alimentación o enchufe ha sido cortado o rasgado.
- Si los objetos han caído o salpicado dentro de la unidad.
- Si el IT-Reference 16E i se ha expuesto a la lluvia o humedad.
- Si el IT-Reference 16E i no parece funcionar normalmente, o expuesto a un cambio marcado en su funcionamiento.
- Si el IT-Reference 16E i, se ha caído o dañado.

### Fuente de Energía

La fuente de energía del IT-Reference 16E i la cual está conectada debe ser adecuada para el uso en 16 amperios. El IT-Reference 16E i funcionará con un tomacorriente de 10 amperios; sin embargo, puede que la energía que dispare en el panel del interruptor puede resultar, si el drenaje actual del sistema exceda los 16 amperios. Si su sistema posee varios canales de audio con amplificador extenso que requiere más energía que la demandada, un circuito con un grado de por lo menos 16 amperios es esencial para un óptimo funcionamiento. Si otros aparatos eléctricos están en pleno uso sobre la misma línea de CA, y la corriente del equipo excede los 10 amperios, se recomienda un circuito de 30 amperios atado con un alambre #10. Para las instalaciones con códigos NEC es requisito mínimo un circuito de 16 amperios. Sin surge alguna duda consulte a su electricista local. En ocasiones especiales, una o dos veces, el IT-Reference 16E i puede requerir el sistema de teatro en casa 5.1 y 7.1 con drenaje continuo el cual excede los 16 amperios (consulte a su vendedor en Furman para asistencias técnicas)

### Colocación

El IT-Reference 16E i se fabrica con cuatro pies de goma para la colocación en cualquier tabla, gabinete, estante, o suelo capaz de aguantar un peso de 83lbs. Estos pies de goma se pueden quitar fácilmente con un destornillador estándar Philips cuando el estante esta adyacente a otros componentes. Debido al blindado interno del IT-Reference 16E i, la colocación o la proximidad a otros componentes no es crítica, y el IT-Reference 16E i no produce ningún calentamiento bajo a su uso normal. El IT-Reference 16E i puede también ser montado en un estante estándar del 19" uniéndolo al agarrador del IT-Reference 16E i. Estos agarradores del estante (contenidos dentro del kit plástico del paquete) se montan en la parte trasera de panel delantero del IT-Reference 16E i. Están unidos al chasis quitando (2) tornillos avellanados en cada parte delantera de la cubierta superior del chasis. Cada agarrador del estante está instalado con (3) tornillos Philips de la parte superior

usado para cada agarrador del estante es para el agujero de centro, localizado en la parte posterior y ayuda en estabilizar la unidad cuando el estante se ha montado.

Para el montaje del estante que será transportado, el montaje de estante posterior es recomendable debido a la alta masa que posee el IT-Reference 16E i. Estos kits posteriores del estante no son necesarios para una instalación inmóvil. Están disponibles en los distribuidores de Furman como accesorio opcional. Los modelos de kit del estante son: RRM-3 REF.

## Conexión

### Cableado CA

Cuando se instala el IT-Reference 16E i, el extremo femenino de su cuerda de CA debe conectarse dentro del IEC conector situado en el lado más bajo a mano izquierda del panel trasero (al hacer frente la parte de atrás del panel). El enchufe masculino de Edison debe conectarse después con un zócalo apropiado (véase la recomendación arriba). Este cordón de CA llevara con el un balance substancial de corriente, lo que significa que evadirá la mala señal llevada por los cables, o al menos a través de unos 90 grados de ángulo. Lo que si es verdad es que cuando los cables de AC son conectados al IT-Reference 16E i "La alta energía de poder" es filtrada. Otros componentes enchufados a "La energía Discreta Simétrica" enchufes (A) hasta (C) tienen CA simétrica y no tiene campo virtual; como resultado de ellos el remplazo de esta tecnología no es crítico.

### Conectando componente al banco de energía simétrica

El IT-Reference 16E i "enchufes discretos de energía simétrica" se deben emplear simétricamente para los componentes de video tales como DVD, proyectores, plasma, o pantallas del vídeo del LCD. Para estos enchufes es ideal un sistema de IT-Reference 16E i ya que cuenta con 2 canales de audio especiales para un preamplificado y o juego de SACD.

### Conectando componentes a la alta energía del banco del amplificador

Muchos audiovisuales y sistemas de Teatro ana Casa tendrán constante demandas debajo de 16 Amps. De hecho es raro observar que la energía de un amplificador grande muestre más de 4 amperios repetidamente. Para una mejor eficiencia, es vital que una CA posea filtros extremadamente bajos y tenga capacidad de sobrepasar las demandas en aumento del RMS.

El IT-Reference 16E i fue diseñado más que para esta demanda. Además, nuestro trazado de circuito de la corrección de la energía crea con eficacia una reserva actual en el exceso de 80 amperios pk. La carga que es más clara y más eficiente que una línea dedicada a su central local eléctrica.

Esta característica elimina dramáticamente cualquier preocupación hacia la compresión actual que puede resultar de acondicionadores de energía típicos, y la corriente a medida de beneficiar cualquier funcionamiento de los amplificadores de energía dramáticamente.

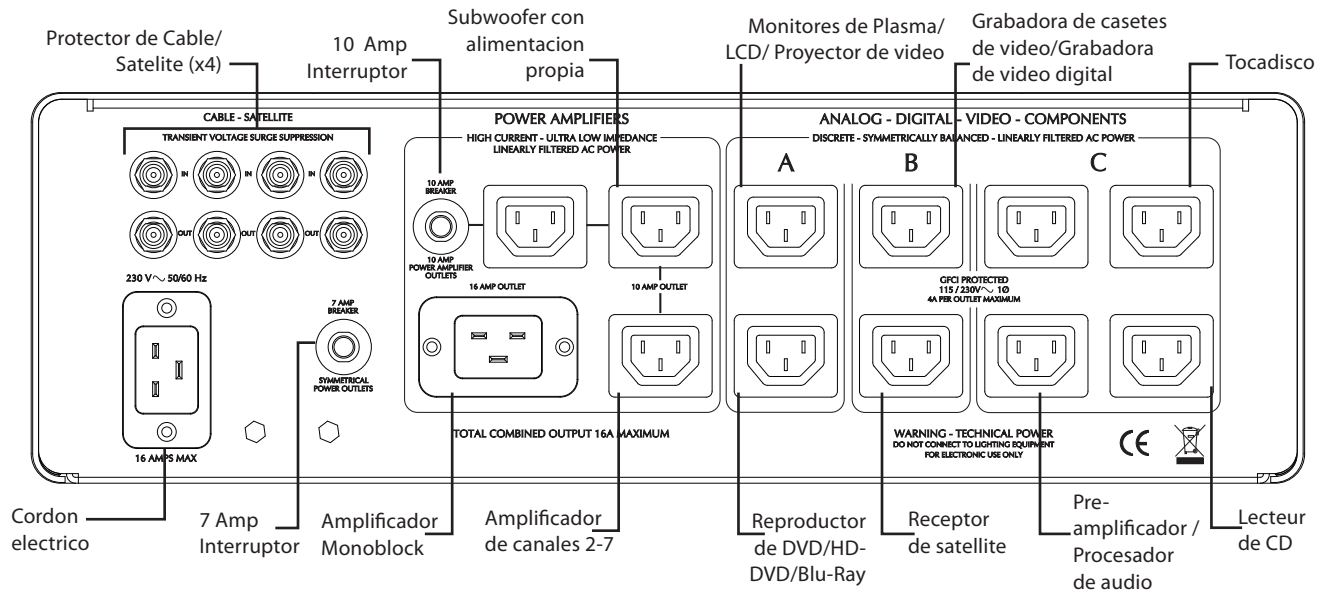
### Nota sobre la corrección de factor de energía y el consumo actual

Aunque el IT-Reference 16E i fue diseñado para la operación constante de 16 amperios, y la corriente máxima exige muchas veces se limite a una gama entre 2400 - 3600 vatios por el IT-Reference 16E i empleado.

La corriente del RMS disponible antes de viajar por el interruptor varía debido a que es transmitió a la carga del vector. Simplemente colocar, el tipo de fuente de alimentación o los circuitos electrónicos conectados al IT-Reference 16E i tendrá un efecto en sus interruptores al percibir la carga actual, así como también, cuando la energía viaje. Aunque las ventajas de la corrección del factor de energía compensan muy poco la reducción del drenaje continuo, esto debe ser considerado al construir un sistema grande de actuales demandas.

El total de la mayoría de los componentes electrónicos son enumerados típicamente en vatios por su cuerda de la entrada de CA o el conector de CA. Los grados del vatio se agregan simplemente para determinar el drenaje total actual del sistema RMS. Debe también tomarse en cuenta que las correcciones que el IT-Reference 16E i ofrece no tienen efecto en el circuito de energía. IT-Reference 16E i ofrece 8.5 vatios independientes de otros componentes, así que puede dejarse siempre encendido.

## Panel Trasero / Conexión Sugerida



## Suave Comienzos El Continuo uso de la energía

Cuando la energía se aplica de primero al IT-Reference 16E i, (la palanca de la energía del triturador del panel delantero se debe cambiar a "on") la característica del suave comienzo estará activado. Cuando el IT-REF se ha encendido o apagado se escucha un sonido. Este sonido es producido por el circuito del comienzo suave de 30 amperios que engancha o que desune. No existe nada que sobre en el uso del IT-REF 16E i conforme a la construcción, el diseño, duración de vida del producto, y no hay drenaje de energía de su metro eléctrico del servicio aparte circuito del indicador de energía LED, seguridad de la protección del circuito GFCI. Por esta razón el IT-Reference 16E i puede dejarse con su energía permanentemente como un bajo costo de centavos por mes. Esta es una ventaja mas, como muchas otras en audio/video filmes donde podemos encontrar una mejora significativa al dejar los componentes permanentemente accionados (encendido). De hecho, esta es la realidad del IT-Reference 16E i. Imagina que el flawlessly funcionara desde su empaque, el funcionamiento de su circuito mejorará aproximadamente después de dos semanas de continuo uso continuo.

## Interruptor de Tierra (GFCI)

El IT-Reference 16E i "Enchufes discretos simétricamente filtrados CA" incorpora una salida equilibrada de la CA, por el que los plomos neutrales y positivos del funcionamiento de cable CA en 115 voltios de CA en polaridad de oposición, referidos a la tierra (0 voltios de CA). Esto es solamente uno de las ventajas del IT-Reference 16E i sobre otros diseños de CA protección de filtro.

Aunque virtualmente todo el equipo electrónico domestico esta diseñado para detectar cortocircuitos eléctricos y otros problemas peligrosos en la línea plomo refiriéndose a lo neutral, éste es inadecuado cuando la energía es simétrica o "equilibrada." Con los enchufes simétricos del IT-Reference 16E i, ambos el neutral y el positivo contienen 115 VAC relativo a su entrada de tierra. Esto no es un peligro o problema de seguridad, a menos que haya un defecto en el transformador del IT-Reference 16E i, o la fuente de energía del conector del componente. En este caso, necesitamos asegurarle que la seguridad siempre se mantendrá. La solución es nuestro GFCI (Interruptor de Tierra).

El Furman GFCI detecta cualquier desequilibrio en el fluir los dos apoyos calientes. La corriente falta pasa a través del conductor de tierra (el pin redondo en el enchufe CA). La corriente de tierra indica a menudo un cortocircuito peligroso parcial o completo. Si se detecta un desequilibrio, el GFCI disparará el triturador interno de los enchufes, y el enchufe de doble cara de CA no dará ninguna clase de soporte. Para restaurar la operación, corregirlo, debe presionar para reiniciar la lengüeta situada entre los dos enchufes balanceados de la CA. 5 metros de corriente son bastantes para hacer el GFCI dispare; a localizar este tipo de problema, comienza con nada conectado en los enchufes de energía balanceados de IT-Reference 16E i. Seguido, agregue cada pieza del equipo hasta los GFCI. Entre en contacto con el fabricante de la unidad dañada para la solución inmediata.

## Supresión transitoria de la oleada del voltaje de la CA y regulación extrema de voltaje

### Indicador extremo de regulación de voltaje

Este LED normalmente esta apagado. Supervisa desperfectos del cableado del CA - por ejemplo, la conexión accidental a una entrada neutral. Protección en serie de Multi Etapas (SMP) detecta los voltajes que son tan altos que la operación sería imposible y cierra la energía baja antes de que los daños puedan ocurrir. En este caso inicialmente la aplicación de energía a estas unidades, el indicador extremo de voltaje LED se encenderá si el voltaje de entrada está sobre el atajo extremo del voltaje de corte o apagado, y la energía no será aplicada a los enchufes de la unidad. Si la unidad ha estado funcionando con un voltaje de entrada aceptable y ese voltaje excede posteriormente 270V, apagará energía al enchufe y el voltaje extremo LED se encenderá.

### La protección correcta del Indicador

Aunque el circuito de Furman SMP asegura virtualmente gratis la protección libre del mantenimiento contra puntos de voltaje transitorios y las oleadas, de vez en cuando la naturaleza tiene una manera de crear las fuerzas eléctricas que están más allá de las capacidades de cualquier dispositivo transitorio de la supresión de la oleada del voltaje al absorber sin un cierto grado de daño. En el caso extraordinario raro que ocurre esto, el LED azul situado en el centro del panel delantero lo amortiguará totalmente, aunque la CA está presente en las salidas de la unidad. Si sucede esto, seguirá habiendo un cierto nivel de protección contra oleadas del voltaje, pero el grado del voltaje del Furman que afianza será comprometido. La unidad desenvolverá el sonido de Furman, o a un centro de servicio autorizado de Furman para la reparación de la unidad.

**NOTA:** Si la alimentación principal está sobre el alto nivel de voltaje ha hecho que la unidad quite la energía de sus enchufes, no puede restaurar la energía sin el operador manual se encuentra apagado, después encienda de nuevo. Evite tener la unidad de nuevo encendido, sin haber comprobado la fuente del problema, y quizás cambiar la fuente de AC.

### Cable / Satélite – Supresor de Voltaje

El IT- REF 16 para ambas las líneas del cable del satélite que utilizan los conectadores coaxiales estándares. Pues estos supresores de oleada están en línea, y requerirán un cable adicional para conectar la salida con el dispositivo del control que requiere los supresores de oleada en línea de protección.

Nosotros ofrecemos tecnología libre de la contaminación de tierra exclusiva. Esto ayuda en la eliminación del zumbido audio, y ronquido-barras en video que pueden resultar de los supresores en línea típicos. Además, nuestro cable y supresores del satélite son TIVO - DVR buenos así como la televisión HD-Digital. Ambas DC poseen buena señal, así como alta señale de banda pueden que pueden pasar a través de nuestro circuito. La anchura de la banda es menos que 0.1dB menos de 1GHz

Para conectar su cableado con estos protectores en línea, siga simplemente lo de dentro y fuera de las indicaciones marcadas al lado de los conectadores de "Cable / Satellite".

**Nota:** No es posible hacer un protector en línea del satélite "virtualmente libre de mantenimiento" como lo hemos logrado con la línea de 230 VAC. Esto haría necesario la anchura de banda limitada de la señal que no permitiría pasar la señal. Bajo condiciones extremas, es posible que la supresión de la oleada en uno de estos dispositivos pudiera sacrificarse después de un acontecimiento catastrófico. Si la señal del teléfono no requiere ya no pasara a través de nuestro protector, entre en contacto por favor con su representante o delegado técnico, o servidor Furman. Puesto que estos circuitos son modulares, el reemplazo se puede lograr en segundos con un módulo nuevo de TVSS. Para probar esto, desconecte simplemente el entrante y afuera del cable donde va el IT-Reference 16E i. Conecte el conector entrante con el componente que recibió antes del conector que iba de salida, así transmitiendo la protección en línea. Si la señal está presente (pero no cuando está utilizado con el IT-Reference 16E i) entonces se daño el circuito de protección (se asume que lo trabajó correctamente antes de una tormenta o de un acontecimiento catastrófico).



## Garantía

Furman Sound, LLC garantiza la compra original de este producto, el Furman IT-Reference 16E i, este producto estará libre de defecto de material o mano de obra por un periodo de 5 años desde la fecha de compra. Se le es permitido al comprador del producto que a los 10 días de la compra complete su registro de garantía por mail o en línea en el website de Furman. Si el comprador no cumple con el registro ya mencionado, el periodo de garantía será reducido a un año de garantía a partir de la fecha de compra.

Si el producto no cumple con esta garantía limitada durante el período de la garantía (como ha sido especificado anteriormente), el comprador notificará a Furman por escrito de los defectos. Si los defectos son causados por la naturaleza, los cuales están cubiertos por dicha garantía, Furman autorizará al comprador devolver el producto a la fábrica de Furman o a una localización autorizada por Furman para su reparación. Las demandas de la garantía se deben acompañar por una copia original de la factura por la compra que demuestre la fecha de la adquisición; esto no es necesario si el registro de la garantía fue completado por correo enviando la tarjeta terminada de la garantía o colocándose en línea en el Web site de Furman. Los envíos que se hacen llegar a la fábrica de Furman o a una localización autorizada para la reparación del equipo deben ser pagados por adelantado por el comprador del producto. Furman en su propio costo, enviara un producto de reemplazo o, reparará el producto defectuoso. Las cargas de entrega a de la nueva unidad serán pagadas por Furman.

**GARANTIA DE EQUIPO CONECTADO:** Furman se reserva el derecho de reparar el producto dañado por alto voltaje en transito, siempre y cuando este haya estado conectado correctamente al Furman IT-Reference 16E i y este a su vez se encuentre conectada a una protección de tierra fuera de la ubicación. La garantía para el equipo Furman que se encontraba conectado se limita a la cantidad del deducible del seguro del comprador hasta \$500.00. En orden de poder hacer posible el reclamo de garantía por este equipo el comprador deberá enviar una copia de su seguro personal, reclamar por los daños del equipo conectado, y el lugar donde el daño haya sido causado y llenar el formulario de reclamote garantía por equipo conectado (llamar al teléfono (707) 763-1010 para obtener el formulario). El cliente se hará cargo de todos los costos del envío del equipo a fábrica para su inspección. El equipo dañado deberá permanecer en inspección hasta que el trámite de reclamo finalice. La garantía para el equipo conectado es también de cinco años a menos que el comprador no llene el registro en un tiempo de quince días hábiles después de la compra, si esto sucede el periodo de garantía se reduce a un año a partir de la compra.

Todas las garantías anteriormente explicadas serán nulas si: el protector después de dañado no es reportado a Furman para su inspección, Furman determinara si el protector ha sido abierto, o ha sido instalado incorrectamente, alterado de cualquier manera o tratado de forzarlo, si el equipo conectado no fue utilizado bajo condiciones de funcionamiento normales o de acuerdo con las instrucciones del fabricante para conectar el equipo. Todos los protectores Furman se deben conectar correcta y directamente en una línea de energía de CA. No se permite dos o tres adaptadores enchufados a los cables de CA con la lengüeta de tierra fuera. Cualquier instalación mala anula esta garantía. La garantía de Furman protege solamente contra daño del equipo ya sea correctamente conectado donde Furman ha determinado, en su discreción única, que el daño resultó de una ocurrencia y no protege contra actos de Dios (con excepción del relámpago) por ejemplo la inundación, el terremoto, guerra, terrorismo, vandalismo, hurto, normal uso, el desgaste y rasgón, erosión, agotamiento, obsolescencia, abuso, daño debido a los disturbios de baja tensión (es decir los brownouts o las holguras), programa no autorizados, modificación o alteración del equipo de sistema. No utilice este producto con un generador, un calentador, una bomba de aceite, un dispositivo agua-relacionado, un dispositivo de vida, un dispositivo médico, un automóvil, una motocicleta, o un cargador de batería del carro de golf. Debe ser utilizado dentro y solamente en áreas secas.

**EI PRECEDENTE ESTÁ DISPONIBLE AL IGUAL QUE EL RESTO DE LAS GARANTÍAS, EXPRESS O IMPLICADO, INCLUYENDO PERO NO LIMITANDO A LAS GARANTÍAS IMPLICADAS DE MERCANTIBILIDAD Y DE LA APTITUD PARA UN PROPÓSITO PARTICULAR.** Furman no garantiza contra los daños o los defectos resultantes de uso anormal o incorrecto del producto; contra los defectos o los daños que se presentan de la instalación incorrecta, contra defectos en productos o componentes no fabricados por Furman, o contra daños resultando de tales productos o componentes que no sean hechos por Furman. Esta garantía será inválida sin previo aviso por Furman si el producto es modificado de cualquier manera. Esta garantía también no se aplica a los productos sobre los cuales las reparaciones han sido afectadas o procuradas por las personas con excepción conforme a la autorización escrita por Furman.

**ESTA GARANTÍA ES EXCLUSIVA.** La obligación única y exclusiva de Furman será reparar o sustituir el producto defectuoso durante el período de tiempo ya mencionado arriba. Furman no tendrá ninguna otra obligación con respecto a este producto, está basado en el contrato, agravio, responsabilidad terminante, o de otra manera. Bajo ningunas circunstancias, está basado en esta garantía limitada o de otra manera, Furman será obligado a hacerse cargo por los daños fortuitos, especiales, o consecuentes. Los empleados de Furman o los representantes DE FORMA ORAL U OTRAS DECLARACIONES ESCRITAS NO CONSTITUYEN GARANTÍAS, no serán confiados por el comprador, y no son una parte del contrato para la venta o esta garantía limitada. Esta garantía limitada indica la obligación entera de Furman respecto al producto. Si cualquier parte de esta garantía limitada se suprime o es ilegal, seguirá en efecto ajo las fuerzas y efectos completos.

Las demandas de la garantía se deben acompañar por una copia de la factura original de la compra que demuestra la fecha de la compra (si una tarjeta del registro de la garantía fue enviada por correo adentro estará la hora de compra y fecha del producto, por lo tanto, esto no es necesario). Antes de devolver cualquier equipo para la reparación, este seguro que está empacada y amortiguada adecuadamente contra daño en el envío, y que esto sea asegurado.

## Especificaciones

### Capacidad CA:

Entrada - 16 Amp capacidad requerida

Salida - 8 - 16 Amp RMS \* (maximo, todas las salidas combinadas - continuas)

• *Debido energía factor corrección circuito, disponible RMS la energía varia con reactancia carga (vector). sin embargo, esto solamente afecta el circuito interruptor para un continuo drenaje de RMS. Puesto que la energía amplificadora requerirá de un alto transitorio actual demanda, IT-Reference 16E i nunca sucumbir actual compresión, absolutamente al contrario, de hecho, protegerá la fuente de energía amplificadora de, mientras que bajar el CA entrada impedancia, permitirá energía amplificadora para trabajar más eficiente.*

### Atenuación del ruido lineal

#### Modo Transversal (Diferencial)

>20 dB de 1Khz. - 2 kHz.

>40 dB de 2Khz. - 100 kHz.

>80 dB de 100 kHz. - 1GHz.

(Curva lineal de atenuación a partir de 0.05 - 100 ohms de línea impedancia)

#### Modo Común

>95 dB, 10Hz. - 50 kHz.

>40 dB 50kHz. - 1MHz.

### Salidas

8 (Salidas simétricas balanceadas)

4 (Salidas correccion de potencia - 9 amps RMS mas de 80 amps pk. cargados)

### Supresión transitoria de la oleada del voltaje

#### 230VAC línea

No-Sacrificatoria con la contaminación de tierra cero

Gama extrema de la parada del voltaje >270V

#### Cable/satélite

Menos que la línea pérdida de .1dB

### Dimensiones

152mm H x 432mm W x 413mm D (standard 3RU sin pies)

### Peso

40 kg.

### Consumo de Energía

8.5 Watts vatios para la independiente de los circuitos de la exhibición y de control de la carga real



***FURMAN***

1690 Corporate Circle • Petaluma, California, USA 94954

Phone: 707-763-1010 • Fax: 707-763-1310

[www.FurmanSound.com](http://www.FurmanSound.com)