
OWNER'S MANUAL

MANUAL CHAIN HOIST CF SERIES

MODEL CF4

1/2 Ton through 5 Ton Capacity

Code, Lot and Serial Number

⚠ WARNING

This equipment should not be installed, operated or maintained by any person who has not read and understood all the contents of this manual. Failure to read and comply with the contents of this manual can result in serious bodily injury or death, and/or property damage.

HARRINGTON
HOISTS AND CRANES

9.0 Parts List

When ordering Parts, please provide the Hoist code number, lot number and serial number located on the Hoist nameplate (see Figure 9-1 below).

Reminder: Per Sections 1.1 and 3.4.4 to aid in ordering parts and product support, record the hoist Code, Lot and Serial Number in the space provided on the cover of this manual.

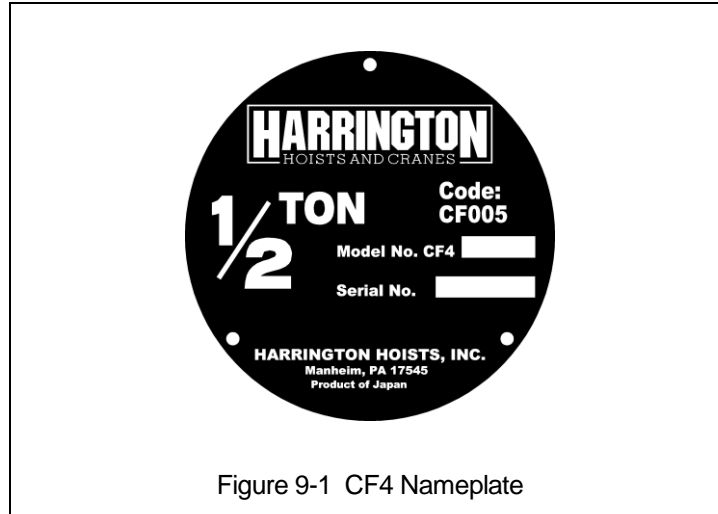


Figure 9-1 CF4 Nameplate

The parts list is arranged into the following sections:

Section	Page
9.1 1/2 to 5 Ton Parts.....	39
9.2 Additional 2 through 5 Ton Parts.....	41
9.3 Optional Hooks.....	42
9.4 Optional Chain Containers.....	44

9.1 1/2 to 5 Parts

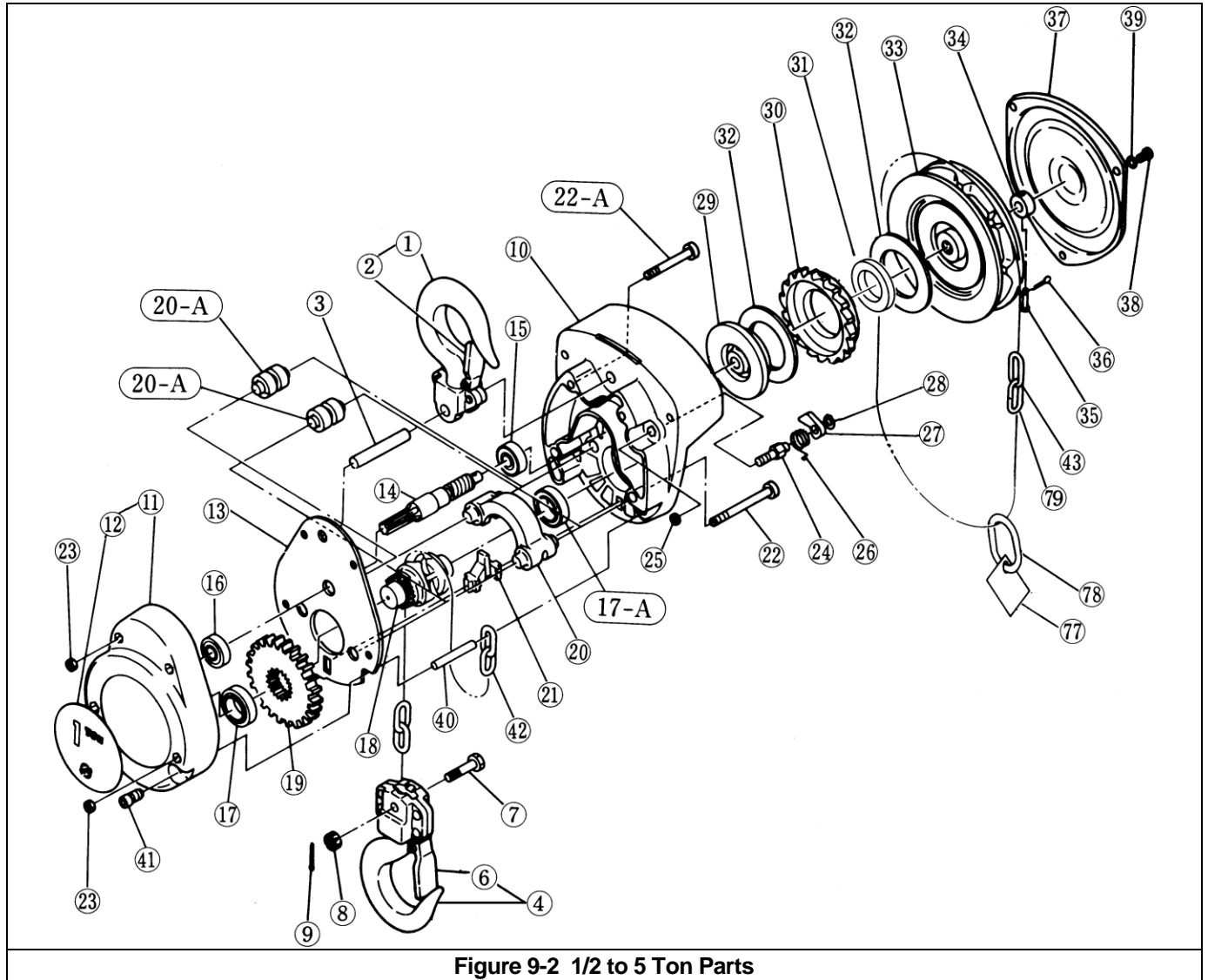


Figure 9-2 1/2 to 5 Ton Parts

9.1 1/2 to 5 Ton Parts

Fig. No.	Name	Parts / Hoist	1/2 Ton	1Ton	2 Ton	1 1/2 Ton	3 Ton	5 Ton	
1	Top Hook Assembly	1	CF001005	CF001010		CF001015			
2	Latch Assembly	1	CF071005	CF071010		CF071015			
3	Top Pin	1	CF163005	CF163010		CF163015			
4	Bottom Hook Complete Set	1	M3021A005	M3021A010		M3021A015			
6	Latch Assembly	1	CF071005	CF071010		CF071015			
7	Chain Pin	1	M3041005	M3041010		M3041015			
8	Slotted Nut	1	M3049005	M2049010		M2049010			
9	Split Pin	1	9009402	9009411		9009411			
10	Body A	1	CF101005	CF101010		CF101015			
11	Body B	1	CF102005	CF102010		CF102015			
12	Name Plate - Blank	without rivets	1	CF800005B	CF800010B	CF800020B	CF800015B	CF800030B	CF800050B
		with rivets	1	CF4800005	CF4800010	CF4800020	CF4800015	CF4800030	CF4800050
13	Frame	1	CF105005	CF105010		CF105015			
14	Pinion		CF111005**	CF111010**		CF111015**		CF111050**	
			CF4111005*	CF4111010*		CF4111015*		CF4111050*	
15	Ball Bearing A (Fig. 14)	1	9000102	9000103					
16	Ball Bearing B (Fig. 14)	1	9000201			9000202		9000300	
17	Ball Bearing C (Fig. 14)	1	9000104	9000105		9000106			
17A	Ball Bearing D (Fig. 14)	1	9000104	9000105		9000106			
18	Load Sheave	1	CF116005	CF116010		CF116015		CF116A050 (Assy)	
19	Load Gear	1	CF114005	CF114010		CF114015			
20	Chain Guide	1		CF178010		CF178015			
20A	Guide Roller	2	CF161005						
21	Stripper	1	CF162005	CF162010		CF162015			
22	Socket Bolt for Body	2	9091282	9091284		9091285			
22A	Socket Bolt for Body	2	9091280	9091282		9091283			
23	U-Nut for Body	4	9098506						
24	Pawl Pin	1	CF156005						
25	U-Nut for Fig. 24	1	9098506						
26	Pawl Spring	1	CF158005						
27	Pawl	1	CF155005						
28	Snap Ring for Fig. 24	1	9047108						
29	Friction Disc		CF153005**	CF153010**					
			M3153005*	M3153020*					
30	Ratchet Disc		CF152005**	CF152010**					
			CF4152005*	CF4152010*					
31	Bushing for Ratchet Disc	1	M3154005*	M3154020*					
32-A	Friction Plate A		CF150005**	CF150010**					
			M3151005*	M3151020*					
32	Friction Plate B		CF151005	CF151010					
			M3151005*	M3151020*					
33	Hand Wheel		CF115005**	CF115010**		CF115015**			
			CF4115005*	CF4115010*		CF4115015*			
34	Wheel Stopper	1	CF159005	CF159010					
35	Wheel Stopper Pin	1	M2167005						
36	Split Pin for Fig. 35	1	9009401						
37	Wheel Cover	1	CF171005	CF171010		CF171015			
38	Screw for Fig. 37	3	CF187005						
39	Spring Washer for Fig. 37	3	9012709						
40	Tail Pin	1	CF164005	CF164010		CF164015			
41	Socket Bolt for Fig. 40	1	CF181005	CF181010					
42	Load Chain	ft	LCCF005	LCCF010		LCCF015			
43	Hand Chain	ft	HCCF005						
77	Warning Tag	1	WTAG9						
78	Chain Stopper Link	1	L4045030						
79	Hand Chain Masterlink	1	HCCF005ML						

*CF4 model only

**Parts discontinued

9.2 Additional 2 through 5 Ton Parts

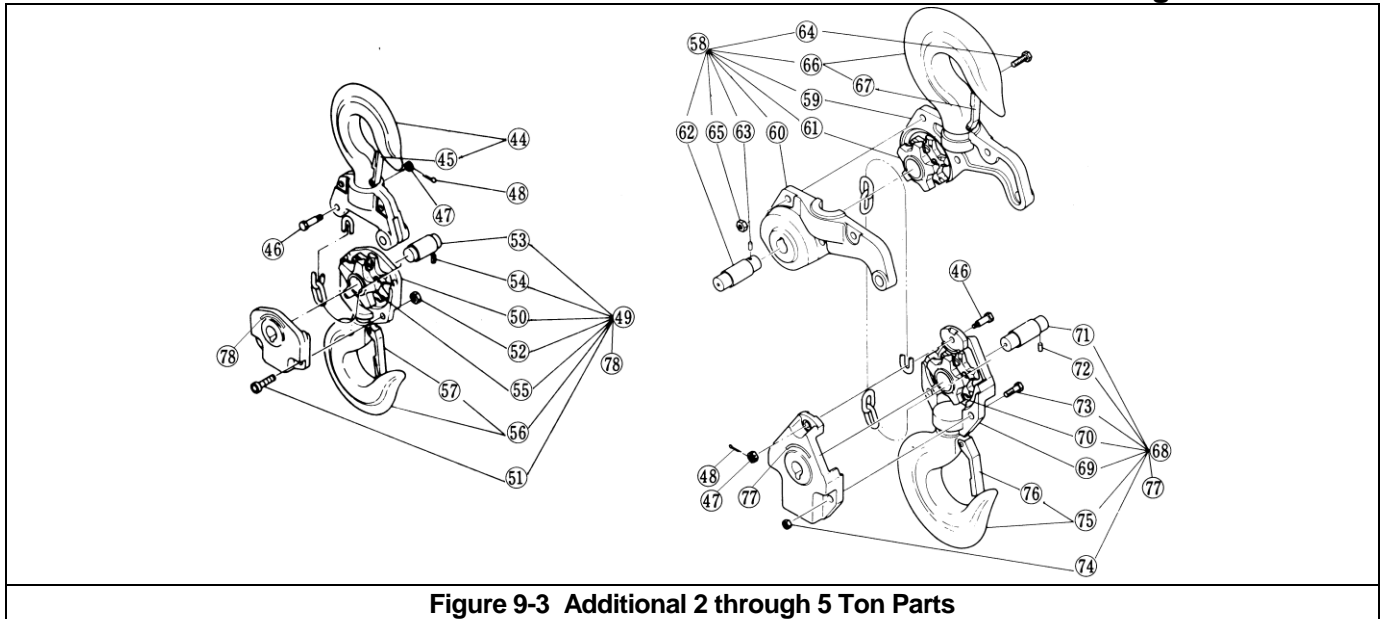


Figure 9-3 Additional 2 through 5 Ton Parts

Fig. No.	Name	Parts / Hoist	2 Ton	3 Ton	5 Ton
44	Top Hook Assembly	1	CF001020	CF001030	
45	Latch Assembly	1	CF071020	CF071030	
46	Chain Pin	1	CF041020	M3041030	
47	Slotted Nut for Fig. 46	1	M2049010		
48	Split Pin for Fig. 46	1	9009411		
49	Bottom Hook Complete Set	1	CF021A020	M3021A030	
50	Bottom Yoke	2	CF031020	M3031030	
51	Bolt	2	9091274	9091296	
52	U-Nut	2	9098506	9098508	
53	Shaft	1	CF053020	CF053030	
54	Spring Pin	1	CF083020		
55	Idle Sheave	1	CF051020	CF051030	
56	Bottom Hook Assembly	1	CF021020	M3021030	
57	Latch Assembly	1	CF071020	CF071030	
78	Label	1	80173		
58	Top Hook Complete Set	1			CF001A050
59	Top Yoke A	1			CF011050
60	Top Yoke B	1			CF012050
61	Idle Sheave	1			CF051030
62	Shaft	1			CF053050
63	Spring Pin	1			CF083020
64	Socket Bolt	3			9091296
65	U-Nut	3			9098508
66	Top Hook Assembly	1			M3021050
67	Latch Assembly	1			CF071050
68	Bottom Hook Complete Set	1			CF021A050
69	Bottom Yoke Assembly	1			CF031050
70	Idle Sheave	1			CF051030
71	Shaft	1			CF053050
72	Spring Pin	1			CF083020
73	Socket Bolt	2			9091296
74	U-Nut	2			9098508
75	Bottom Hook Assembly	1			M3021050
76	Latch Assembly	1			CF071050
77	Label	1			80173

9.3 Optional Hooks

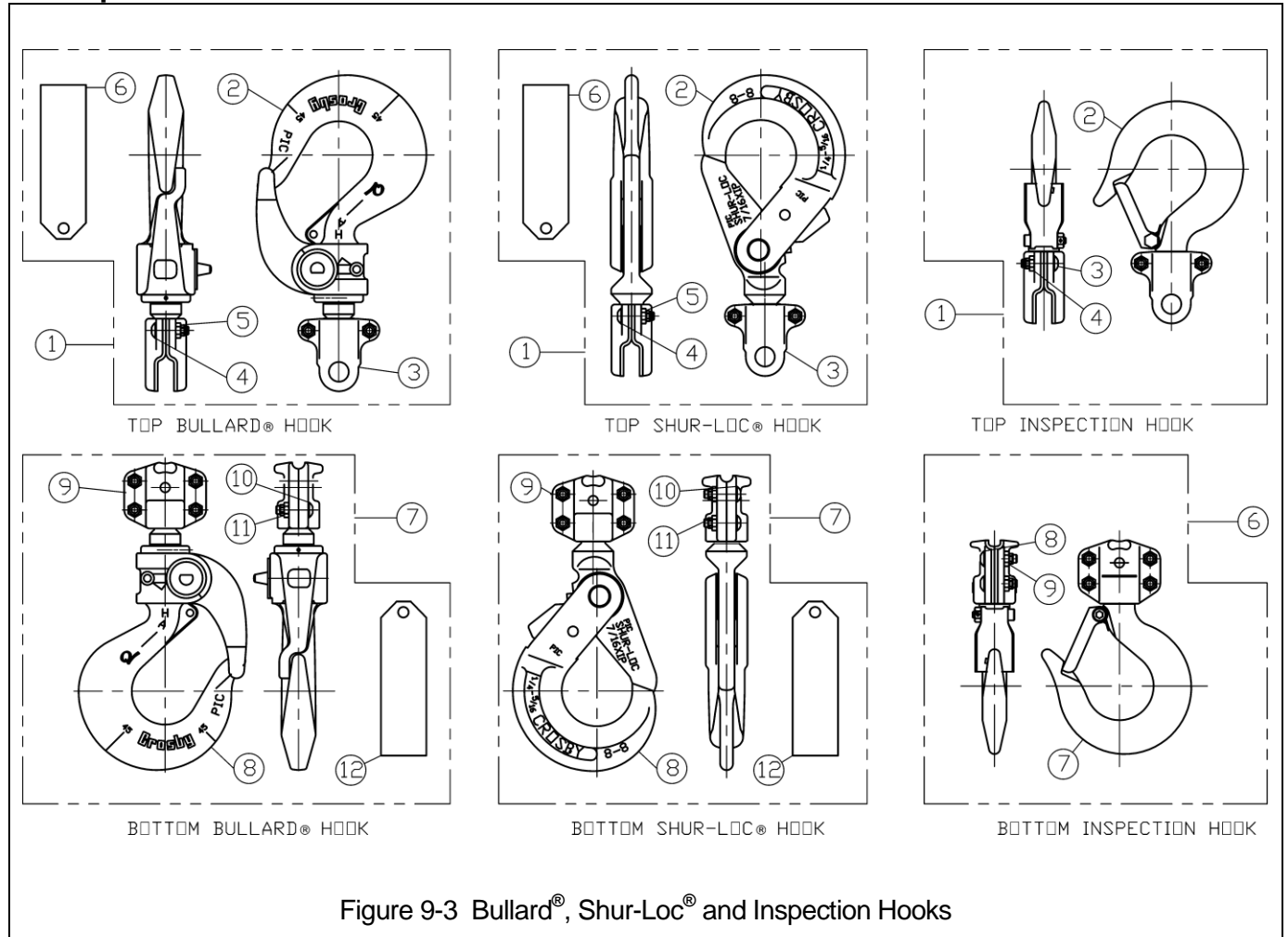


Figure 9-3 Bullard®, Shur-Loc® and Inspection Hooks

Bullard® Hooks

Fig. No.	Name	Parts Per Hoist	1/2 Ton	1 Ton	1 1/2 Ton	2 Ton	3 Ton	5 Ton	
1	Bullard® Top Hook Complete Set	1	6027601	6027602	6027603			6027606	
2	Bullard® Hook Assembly	1	60160	60162	60164			60169	
3	Top Yoke Kit	1	TYKITCB005	TYKITCB010	TYKITCB015				
4	Button Head Screw	2	9012612		9012602				
5	Flexloc® Nut**	2	9012613		9012604				
6	Warning Tag	1	WTAG6*						WTAG6*
7	Bullard® Bottom Hook Complete Set	1	6027801	6027802	6027803	6027805	6027807	6027808	
8	Bullard® Hook Assembly	1	60160	60162	60164	60165	60168	60169	
9	Bottom Yoke Kit	1	BYKITCB005	BYKITCB010	BYKITCB015				
10	Button Head Screw	4	9012612		9012602				
11	Flexloc® Nut**	4	9012613		9012604				
12	Warning Tag*	1	WTAG6*						

*Hoist with Bullard® Hook(s) must have WTAG6 and WTAG9 installed. (See page 6 for WTAG9).

**See Table 6-3 in Owner's Manual for yoke nut torque specifications.

9.3 Optional Hooks

Shur-Loc® Hooks

Fig. No.	Name	Parts Per Hoist	1/2 Ton	1 Ton	1 1/2 Ton	2 Ton	3 Ton	5 Ton
1	Shur-Loc® Top Hook Complete Set	1	6030201	6030202	6030203			
2	Shur-Loc® Hook Assembly	1	60140	60142	60144			
3	Top Yoke Kit	1	TYKITCB005	TYKITCB010	TYKITCB015			
4	Button Head Screw	2	9012612		9012602			
5	Flexloc® Nut**	2	9012613		9012604			
6	Warning Tag	1	WTAG6*					
7	Shur-Loc® Bottom Hook Complete Set	1	6030101	6030102	6030103	6030105	6030107	
8	Shur-Loc® Hook Assembly	1	60140	60142	60144	60145	60148	
9	Bottom Yoke Kit	1	BYKITCB005	BYKITCB010	BYKITCB015			
10	Button Head Screw	4	9012612		9012602			
11	Flexloc® Nut**	4	9012613		9012604			
12	Warning Tag	1	WTAG6*					

*Hoist with Shur-Loc® Hook(s) must have WTAG6 and WTAG9 installed. (See page 6 for WTAG9).

**See Table 6-3 in Owner's Manual for yoke nut torque specifications.

Inspection Hooks

Fig. No.	Name	Parts Per Hoist	1/2 Ton	1 Ton	1 1/2 Ton	2 Ton	3 Ton	5 Ton
1	Top Hook Complete Set	1	M3001A005IK	M3001A010IK	M3001A015IK			
2	Hook W/Latch & Yoke	1	M3001A005IH	M3001A010IH	M3001A015IH			
3	Button Head Screw	2	9012612		9012602			
4	Flexloc® Nut*	2	9012613		9012604			
6	Bottom Hook Complete Set	1	M3021A005IK	M3021A010IK	M3021A015IK			
7	Hook W/Latch & Yoke	1	M3021A005IH	M3021A010IH	M3021A015IH			
8	Button Head Screw	2	9012612		9012602			
9	Flexloc® Nut*	2	9012613		9012604			

*See Table 6-3 in Owner's Manual for yoke nut torque specifications.

9.4 Optional Chain Containers

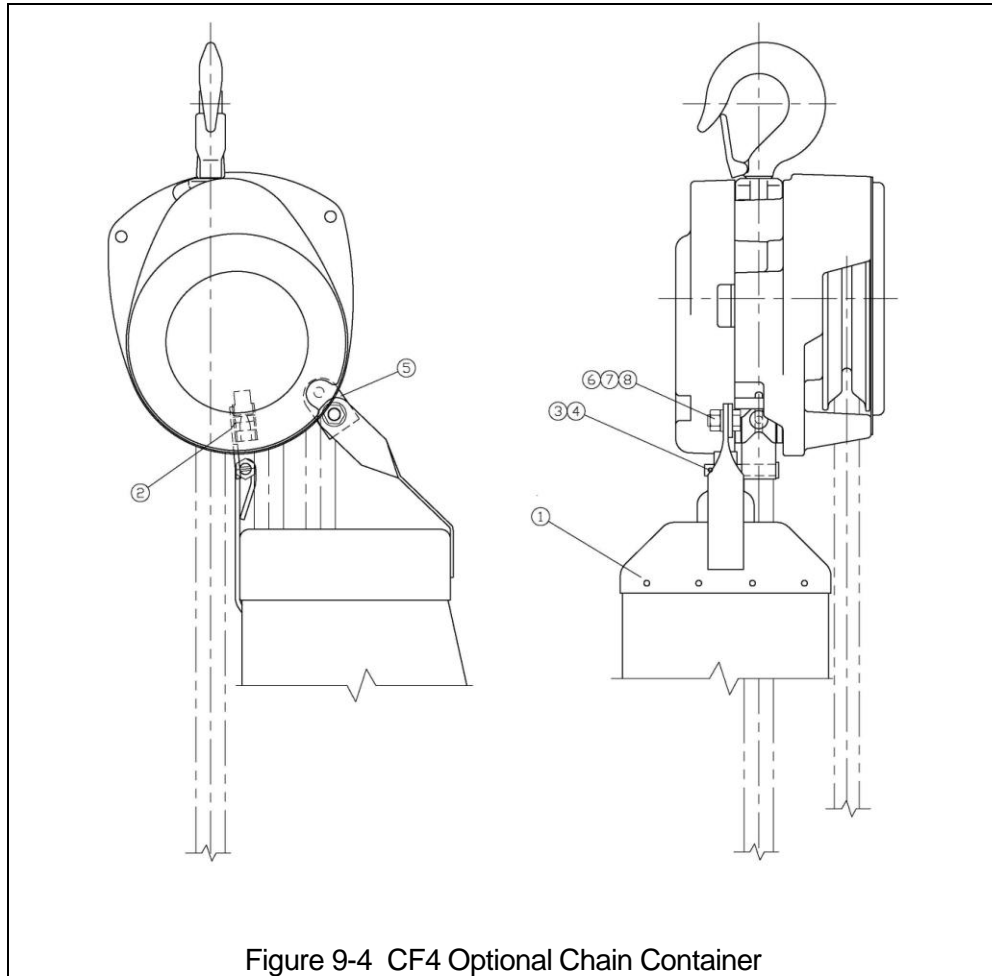


Figure 9-4 CF4 Optional Chain Container

CF4 OPTIONAL CHAIN CONTAINERS

Fig. No.	Name	Parts Per Hoist	1/2 Ton	1 Ton	1 1/2 Ton	2 Ton	3 Ton	5 Ton
	"05" Chain Container (BKC1) Assembly	1	60711	60713	60715	60713	60715	
1	Chain Container	1	50810	50810	50810	50810	50810	
2	Modified Stripper Ass'y	1	5078903	5076004	5080404	5076004	5080404	
3	Split Pin	1	9009412	9009412	9009412	9009412	9009412	
4	Washer	1	9005205	9005205	9005205	9005205	9005205	
5	Link	1	5076005	5076005	5076005	5076005	5076005	
6	Washer	2	9012513	9012513	9012513	9012513	9012513	
7	Hex Head Bolt	1	9093327	9093328	9093328	9093328	9093328	
8	Lock-Nut	1	9098506	9098506	9098506	9098506	9098506	
	"10" Chain Container (BKD1) Assembly	1	60712	60714	60716	60714	60716	
1	Chain Container	1	5080403	5080403	5080403	5080403	5080403	
2	Modified Stripper Ass'y	1	5078903	5076004	5080404	5076004	5080404	
3	Split Pin	1	9009412	9009412	9009412	9009412	9009412	
4	Washer	1	9005205	9005205	9005205	9005205	9005205	
5	Link	1	5076005	5076005	5076005	5076005	5076005	
6	Washer	2	9012513	9012513	9012513	9012513	9012513	
7	Hex Head Bolt	1	9093327	9093328	9093328	9093328	9093328	
8	Lock-Nut	1	9098506	9098506	9098506	9098506	9098506	

NOTES

NOTES

NOTES



www.harringtonhoists.com

Harrington Hoists, Inc.
401 West End Avenue
Manheim, PA 17545-1703
Phone: 717-665-2000
Toll Free: 800-233-3010
Fax: 717-665-2861

Harrington Hoists – Western Division
2341 Pomona Rd. #103
Corona, CA 92880-6973
Phone: 951-279-7100
Toll Free: 800-317-7111
Fax: 951-279-7500

CFOM