

**LUMEX<sup>®</sup>**  
A Graham-Field Brand

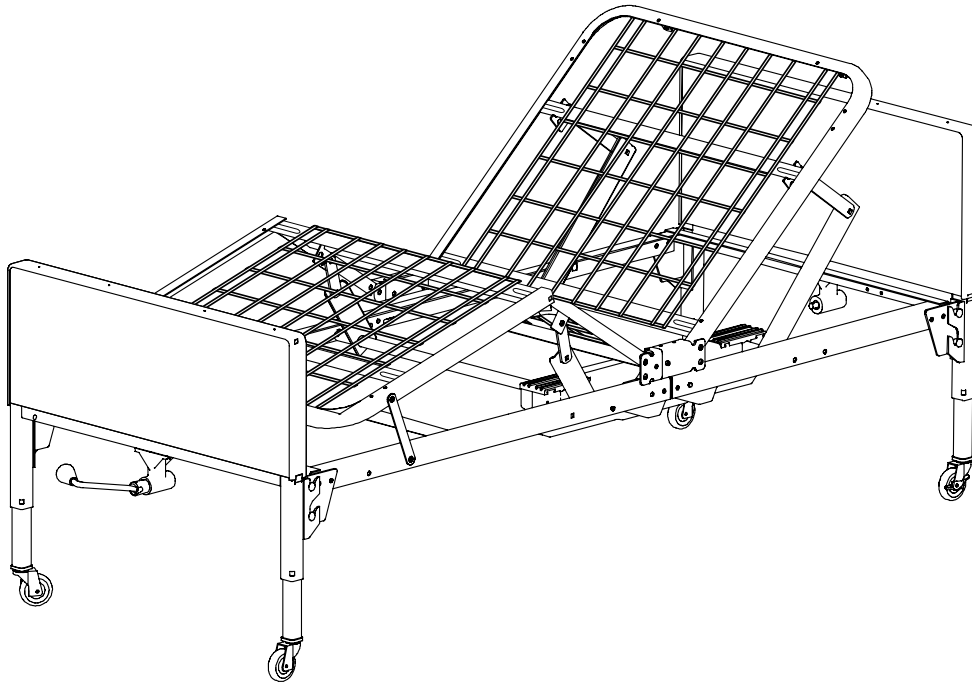


# **PATRIOT**

*Homecare Bed Series*

**MODEL US0208 / US0208PL SEMI-ELECTRIC BED**

**MODEL US0458 / US0458PL FULL-ELECTRIC / LOW BED**



## **USER MANUAL**

**READ THIS MANUAL BEFORE OPERATING THE PATRIOT™ HOMECARE BED.**

**SAVE THIS MANUAL FOR FUTURE USE.**

**INFO: THE MOST CURRENT VERSION OF THIS MANUAL  
CAN BE FOUND ONLINE AT [www.grahamfield.com](http://www.grahamfield.com)**

# CONTENTS

|    |  |    |
|----|--|----|
| 1  | SAFETY .....   | 3  |
|    | WARNING / CAUTION / NOTICE SUMMARY .....   | 3  |
| 2  | INTRODUCTION, PATRIOT HOMECARE BED USER MANUAL .....   | 4  |
|    | THERMAL MOTOR PROTECTION.....  | 4  |
|    | GRAVITY-DOWN FEATURE FOR HEAD AND KNEE ELEVATION.....  | 4  |
| 3  | ASSEMBLY INSTRUCTIONS.....   | 5  |
|    | HEAD AND FOOT ASSEMBLY.....  | 5  |
|    | MOTOR ASSEMBLY .....   | 6  |
|    | REMOVE MOTOR SLIDE CAPS .....  | 6  |
|    | INSTALL MOTORS .....   | 6  |
|    | INSTALL MOTOR SLIDE CAPS.....  | 7  |
|    | MOTOR ASSEMBLY TROUBLESHOOTING.....  | 7  |
|    | FULL-ELECTRIC BED <u>ONLY</u> (US0458 / US0458PL): CASTER POSITION .....                         | 8  |
|    | STANDARD (CONVENTIONAL) BED HEIGHT.....  | 8  |
|    | LOW BED HEIGHT .....   | 8  |
|    | BED END ASSEMBLY .....   | 9  |
|    | ALL BED MODELS: ASSEMBLE BED HEAD END.....   | 9  |
|    | ALL MODELS: ASSEMBLE BED FOOT END .....  | 9  |
|    | ALL MODELS: INSTALL BED END LOCKING HARDWARE.....  | 10 |
|    | FULL-ELECTRIC BED ONLY (US0458 / US0458PL): ASSEMBLE HI/LO MOTOR SHAFT TO FOOT END GEAR BOX..... | 12 |
|    | HI/LO ROD ASSEMBLY / BED LENGTH.....   | 13 |
|    | SEMI-ELECTRIC BED <u>ONLY</u> (US0208 / US0208PL): ASSEMBLE HI/LO ROD .....                      | 13 |
|    | FULL-ELECTRIC BED <u>ONLY</u> (US0458 / US0458PL): ASSEMBLE HI/LO ROD.....                       | 13 |
|    | ALL MODELS: ATTACH HI/LO ROD TO GEARBOX OR MOTOR SHAFT PINS .....                                | 14 |
| 4  | BED OPERATION.....   | 15 |
|    | PENDANT HAND CONTROL OPERATION .....   | 15 |
|    | SEMI-ELECTRIC BED <u>ONLY</u> (US0208 / US0208PL).....   | 15 |
|    | FULL-ELECTRIC BED <u>ONLY</u> (US0458 / US0458PL) .....  | 15 |
|    | CRANK OPERATION: SEMI-ELECTRIC BED <u>ONLY</u> (US0208 / US0208PL).....                          | 16 |
|    | TRENDELENBURG POSITION, ALL MODELS .....   | 16 |
|    | REVERSE TRENDELENBURG POSITION, ALL MODELS .....   | 16 |
| 5  | SPECIFICATIONS, ALL MODELS .....   | 17 |
| 6  | ACCESSORIES: BED RAILS.....  | 18 |
|    | BED RAIL SAFETY .....  | 18 |
|    | LUMEX PATRIOT LIBERTY BED RAILS.....   | 18 |
|    | GF6500B-1: ASSIST BAR .....  | 18 |
|    | GF6580B-1: QUARTER RAIL.....   | 19 |
|    | GF6590B-1: HALF NO-GAP HEAD RAIL .....   | 19 |
|    | GF6570B-1: FULL LENGTH RAIL.....   | 19 |
|    | LUMEX UNIVERSAL BED RAILS .....  | 20 |
|    | GF6570A-1: FULL LENGTH SIDE RAIL .....   | 20 |
|    | LX5088: NO-GAP BED RAIL.....   | 20 |
|    | GF6580A-1: LOW UNIVERSAL HALF RAIL.....  | 21 |
| 7  | SERVICE PARTS, ALL MODELS .....  | 22 |
|    | BED COMPONENTS.....  | 22 |
|    | BED END COMPONENTS .....   | 23 |
|    | BED SERVICE PARTS.....   | 24 |
| 8  | MAINTENANCE AND SAFETY CHECKS.....   | 25 |
| 9  | WARRANTY.....  | 26 |
| 10 | INDEX .....  | 27 |

GF Health Products, Inc. is not responsible for typographical errors. Packaging, warranties, products and specifications are subject to change without notice.

*Graham-Field* and *Lumex* are registered trademarks, and *Patriot* is a trademark, of GF Health Products, Inc.

© 2011, GF Health Products, Inc.

# 1 SAFETY

The safety statements presented in this chapter refer to the basic safety information that the operator of the Patriot Homecare Bed shall pay attention to and abide by. There are additional safety statements in other chapters or sections, which may be the same as or similar to the following, or specific to the operations. Please note the following special statements, used throughout this manual, and their significance:

- ⚠ **WARNING:** Indicates a potential hazard situation or unsafe practice that, if not avoided, could result in death or serious personal injury.
- ⚠ **CAUTION:** Indicates a potential hazard situation or unsafe practice that, if not avoided, could result in moderate or minor personal injury.
- ▲ **NOTICE:** Indicates a potential hazard or unsafe practice that, if not avoided, could result in product or property damage.

*Info: Provides application recommendations or other useful information to ensure that you get the most from your product.*

## **WARNING / CAUTION / NOTICE SUMMARY**

- ⚠ **WARNING:** Keep hands and feet clear of all moving parts.
- ⚠ **WARNING:** Do not allow small children on or near bed during operation.
- ⚠ **WARNING:** Do not allow this device to be operated by small children.
- ⚠ **WARNING:** When operating the hi/lo, knee, or back function of the bed, **ALWAYS** ensure that the individual confined to the bed is positioned properly within the confines of the bed. **DO NOT** let any extremities protrude over the side or between the bed rails when performing any functions.
- ⚠ **WARNING:** Ensure that body weight is evenly distributed over the surface of the bed. Do not lie, sit or lean in such a way that your entire body weight is placed only on the raised head or foot sections of the bed. This includes when assisting the user in repositioning or transferring in or out of bed.
- ⚠ **WARNING:** In order not to invalidate the warranty or create a hazardous condition resulting in serious personal injury, GF Health Products, Inc. recommends the use of only Lumex replacement parts.
- ⚠ **WARNING:** Before operating, ensure that the bed frame rivets are properly seated in the bed end hooks; otherwise, personal injury or damage could result.
- ⚠ **WARNING:** Keep all moving parts free of obstructions (i.e. blankets/sheets, heating blankets/pads, tubing, wiring, and other types of products).
- ⚠ **WARNING:** Ensure that Bed End Locking Hardware is installed in order to prevent personal injury when moving the bed or using a bed-mount trapeze.
- ⚠ **WARNING:** **WARNING/CAUTION** labels applied to the bed outline hazards or unsafe practices that could result in personal injury and/or property damage; do not remove them.
- ⚠ **WARNING:** Ensure that the power cord **DOES NOT** get tangled around the bed, bed rails or legs during normal operation of the bed.
- ⚠ **WARNING:** Do not leave the bed unattended when plugged in.
- ▲ **NOTICE:** The pendant hand control cord must be routed and secured properly to ensure that the cord does **NOT** become entangled and eventually severed during use.
- ▲ **NOTICE:** When using nasal or masked type administering equipment, oxygen or air tubing **MUST** be routed and secured properly to ensure that tubing does **NOT** become entangled and eventually severed during normal operation of bed.

## **2 INTRODUCTION, PATRIOT HOMECARE BED USER MANUAL**

This manual contains assembly and maintenance instructions for your Model US0208 / US0208PL Semi-Electric and US0458 / US0458PL Full-Electric / Low Patriot bed. Read the entire manual carefully before using your bed, and refer to it during use if you have questions.

### **THERMAL MOTOR PROTECTION**

This product is powered by a quiet, efficient DC motor system. When the bed is plugged into a power outlet, the electrical transformer is always energized in a stand-by condition. The Okimat actuator casing may feel warm to the touch even when the bed is not being used; this is a normal condition.

Thermal protection activation (protection against overheating caused by excessive or extended periods of operation), which causes the bed to shut down operation when overheated, is a safety feature of this product.

Causes of thermal protection activation include multiple or repeated adjustment of long duration, or the use of multiple functions at one time. To ensure trouble-free operation, always allow a slight pause between multiple adjustments, and avoid operating more than one function at a time. If thermal protection activation occurs, the bed pendant hand control will not function. The thermal protection will reset after a period of time dependent on the severity of the overheating. To shorten the reset time, temporarily unplug the power cord from the power outlet.

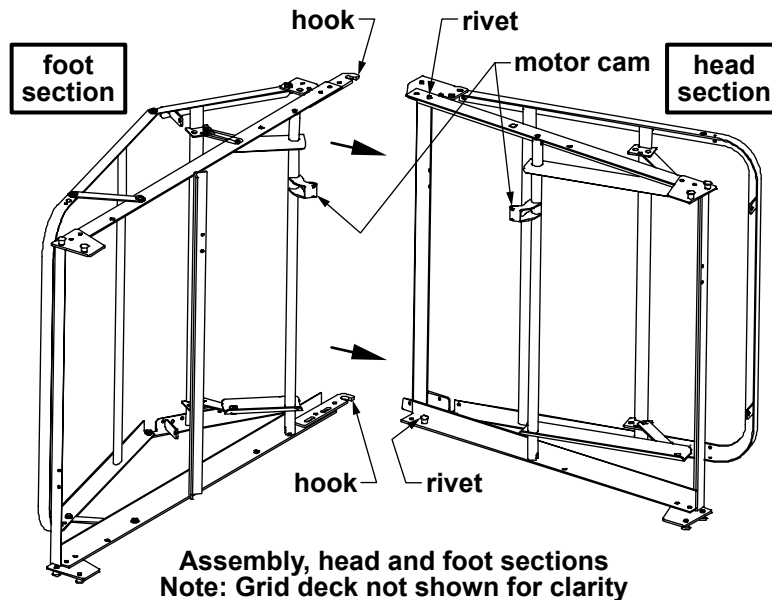
### **GRAVITY-DOWN FEATURE FOR HEAD AND KNEE ELEVATION**

Patriot beds are equipped with a gravity-down safety feature. The motors push the head and knee grid decks up, but do not pull the knee and head down. As the motor plunger retracts, the head and knee lower freely, minimizing bed damage and/or personal injury from items caught under the grid deck.

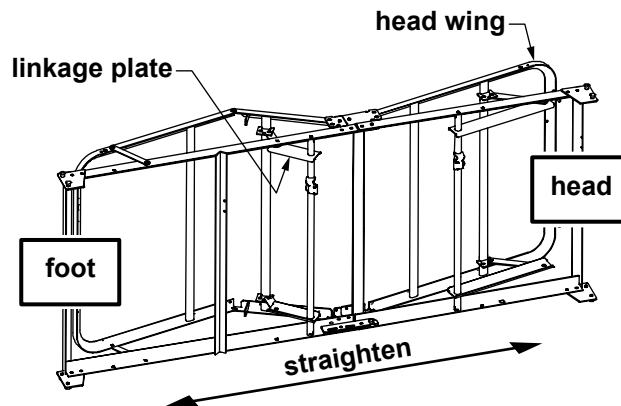
*Info: When using telescoping deck-mount bed rails, the head and knee may not lower without weight on the bed.*

### 3 ASSEMBLY INSTRUCTIONS

#### HEAD AND FOOT ASSEMBLY



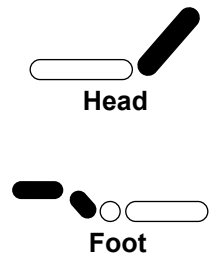
1. Place the head and foot sections on their sides at approximately right angles to each other with motor cams up, as shown above.
2. Slide the head and foot sections together until the foot section's hook catches the head section's rivet **on both sides**. Ensure both rivets are completely seated before continuing.



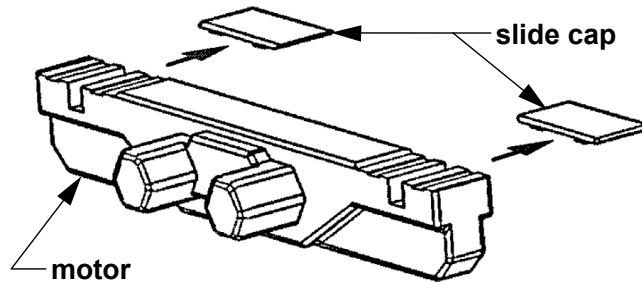
3. With the rivets fully seated in the hooks as described in step 2, rotate and straighten the bed as shown above. Position head wing as shown above.
- ▲ **NOTICE:** While balancing the frame, do not elevate the knee too far or the linkage may over-extend and lock. If the linkage locks, manually push the large linkage plate toward the foot of the bed.

## MOTOR ASSEMBLY

⚠ **WARNING:** Assemble motor on bed as follows. While it is possible to install the motor backwards, avoid it! Incorrect installation could cause the bed to move in unexpected ways. Note that the motor ends are labeled and embossed with head and foot symbols (shown at right). Ensure that bed head and motor head, and bed foot and motor foot, are matched.



### Remove motor slide caps



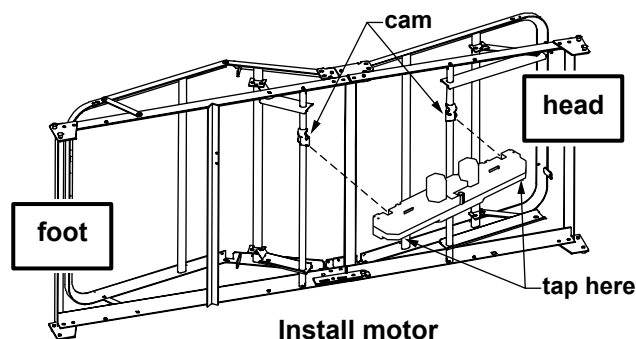
Remove motor slide caps

1. Remove the slide caps from both ends of the motor as shown above. Plungers should be recessed in motor cavities; if not, plug the power cord into any grounded outlet and operate “down” function on the pendant hand control, **then unplug the power cord.**

*Info: Motor comes from factory with pendant hand control plugged into motor.*

2. Install 9V backup battery (not provided) and slide into storage area.

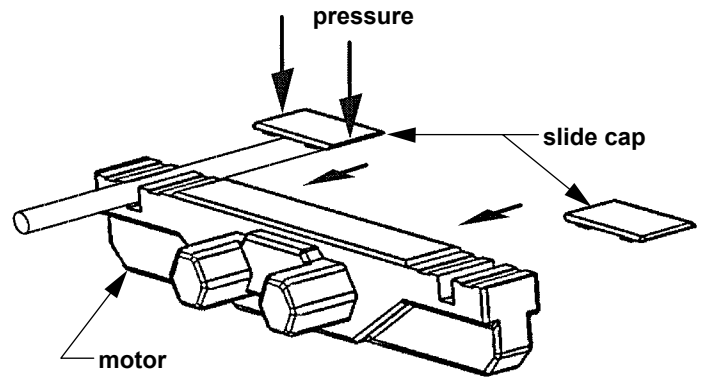
### Install Motors



3. Hold the bed securely, positioned with motor cams up, as shown above.
4. Position the motor over both cams.
5. Tap either end of the motor housing (shown below) with enough force to snap the motor assembly into position on the cam.
6. Repeat step 5 for other end of motor.

## Install motor slide caps

7. Position the caps as shown at right so that the grooves in the slide cap are aligned with the grooves in the motor.
8. Apply straight downward pressure to each end of the cap while sliding into the closed position.
9. Repeat step 8 for the other cap.
10. Ensure that all four corners of each slide cap are engaged.



Install motor slide caps

**⚠ WARNING: Ensure that the motor is assembled on bed as instructed above before use.**

## Motor assembly troubleshooting

Problems associated with improper motor installation are listed below, with appropriate fix.

| Problem  | Probable cause   | Fix   |
|--|--|---|
| Head operates with knee control button and knee operates with head control button  | Motor is installed backwards   | Remove motor and reverse it (see previous page) |
| Knee lifting linkages bind against grid deck, preventing knee deck from elevating. | Motor is installed backwards, enabling knee to elevate too high and bind linkage | Remove motor and reverse it (see previous page) |

## **FULL-ELECTRIC BED ONLY (US0458 / US0458PL): CASTER POSITION**

Any full-electric Patriot bed can be used as either a standard-height or low-height bed by moving the casters.



**fig 1: casters mounted at standard height**



**fig 2: casters mounted at low height, bed in lowest position**



**fig 3: casters mounted at low height, bed in elevated position**

### **Standard (conventional) bed height**

To achieve standard bed height, insert casters into outside legs, as shown in fig. 1 above.

### **Low bed height**

To achieve low bed height, insert casters into inner short legs, as shown in figs. 2 and 3 above.

When in the lowest position, the casters are engaged for bed movement, as shown in fig. 2 above.

When elevated, the bed is off the casters and cannot be moved, as shown in fig. 3 above.

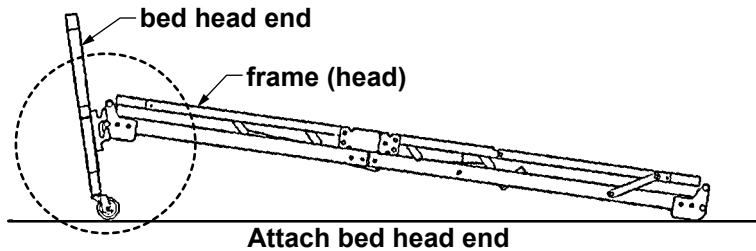
Due to the clearances involved, only minor travel and movement are recommended in the low position. The casters can be moved to the outer legs to provide clearance if the bed must be moved or rolled.



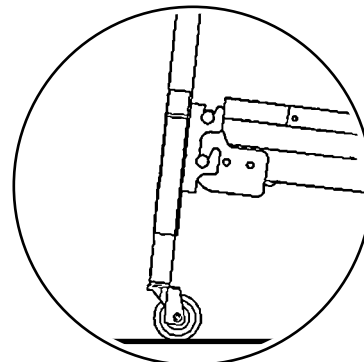
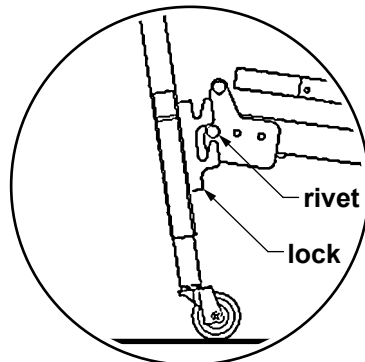
## BED END ASSEMBLY

### All bed models: Assemble bed head end

1. Insert one locking and one non-locking caster into bed end. **Locking casters must be installed diagonally from each other.** See previous page for full-electric caster position options.
2. Standing directly in front of the bed end, position it as close to the bed as possible.
3. With one hand, reach over end and lift up the bed.



4. Tilt the bed end slightly back toward you as shown above.



5. Engage lower rivet slightly with corner lock and tilt end toward bed as shown at above left.
6. Lower bed onto corner lock as shown at above right.

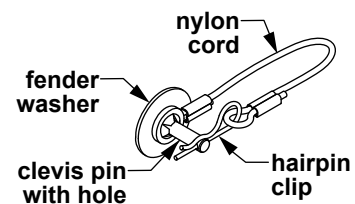
### All models: Assemble bed foot end

After bed head end has been attached, perform steps 1-6 in **All models: Assemble bed head end** above to install the foot end.

## All models: Install bed end locking hardware

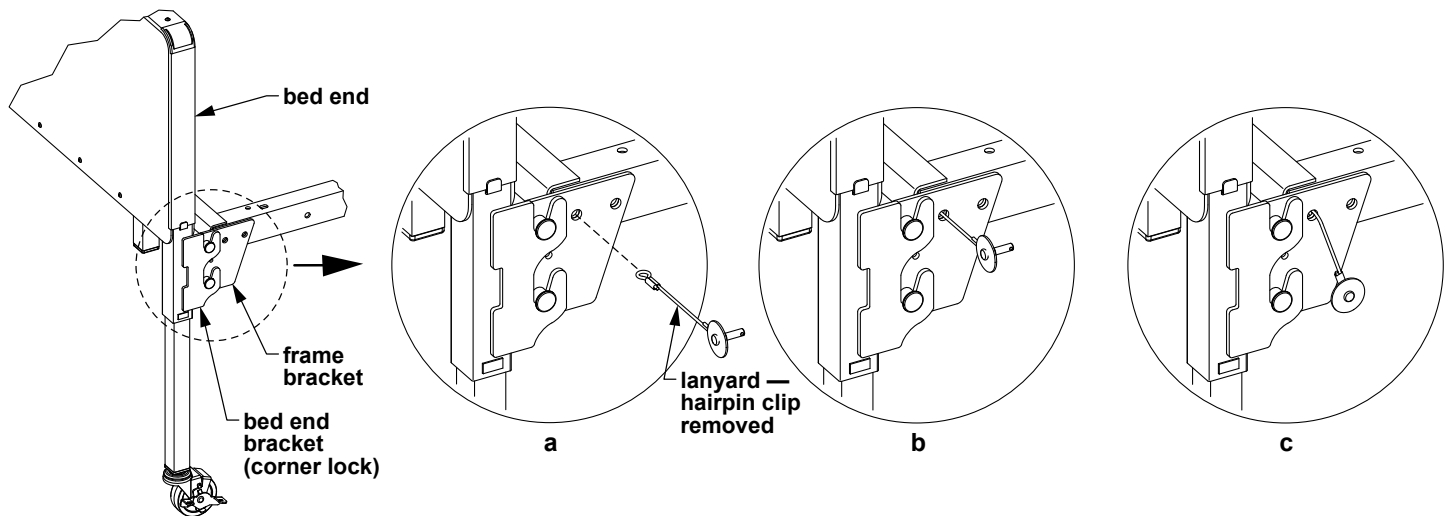
1. After bed head end has been attached, install **Bed End Locking Hardware** to act as a latch for each corner.

Bed End Locking Hardware, part number 690-1000-100, includes four lanyards, each assembled from a clevis pin, hairpin clip, fender washer, and nylon cord, as shown at right. Bed end locking hardware, while not necessary for normal bed operation, will prevent the bed ends from accidentally rolling off when moving or pushing the bed, or while installing or using bed-mount trapezes.

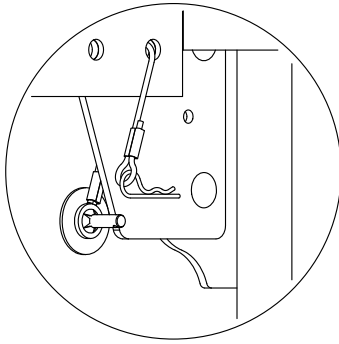


Lanyard

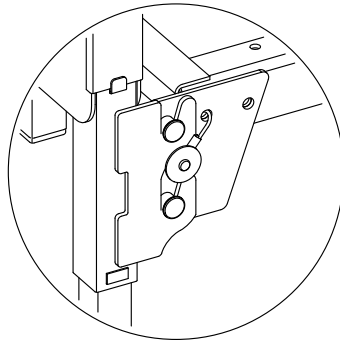
**⚠ WARNING: GF Health Products, Inc. recommends the use of Bed End Locking Hardware at all times.**



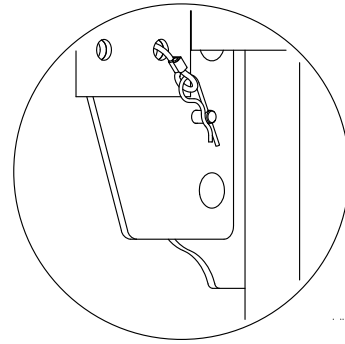
2. Refer to accompanying illustrations while installing Bed End Locking Hardware. Remove the hairpin clip from the end of the lanyard assembly, as shown in **a**, and set it aside.
3. Align the cord end with the frame bracket top hole closest to the bed end. Insert the cord end through the hole so that an equal amount of cord extends outside either side of the frame bracket hole, as shown in **b**.
4. The lanyard assembly will now hang loosely with the clevis pin and fender washer end on the outside, as shown in **c**.



**d**



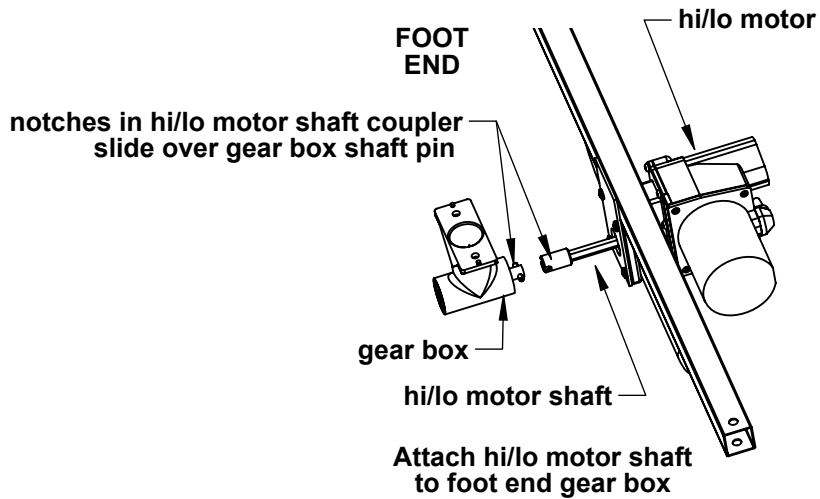
**e**



**f**

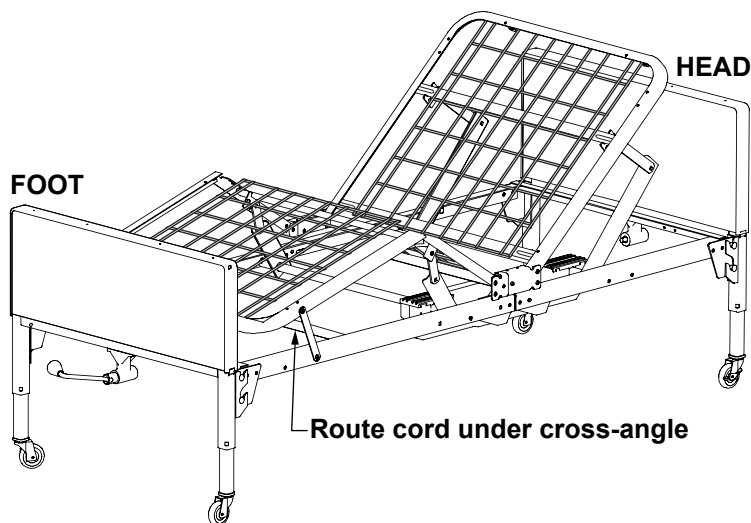
5. From the inside, reattach the hairpin clip to the cord's looped end as shown in **d**. This prevents the cord from slipping back through the frame bracket hole.
6. From the outside, insert lanyard clevis pin with washer into the small hole directly below the bed end bracket top hook so that the washer rests against the bracket, as shown in **e**.
7. From the inside, insert the hairpin clip, now attached to the cord, into the clevis pin hole to secure, as shown in **f**.
8. Follow previous steps 1-7 for other bed end corners, ensuring that all four corners are securely fastened and locked in place.

**Full-electric bed only (US0458 / US0458PL):  
Assemble hi/lo motor shaft to foot end gear box**



You must first attach the coupler end of the motor shaft to the foot-end gear box (see above).

1. Note the position of the hi/lo motor plug on the Okimat actuator next to the pendant hand control plug — plug the hi/lo motor into the actuator, ***routing the hi/lo motor cord under the fixed base frame cross-angle as shown below to ensure clearance with the hi/lo drive shaft.***
2. Plug the power cord into any grounded outlet.
3. Pull the motor shaft toward the foot end. Using the hi/lo function on your pendant hand control, ***slowly*** turn the hi/lo motor shaft until the coupler matches up with the gear box shaft pin as shown above.
4. Slide the coupler until it rests completely on the pin. You may need to manipulate the foot end slightly from side to side and/or lift the hi/lo motor itself for proper alignment.
5. ***Unplug the power cord.***

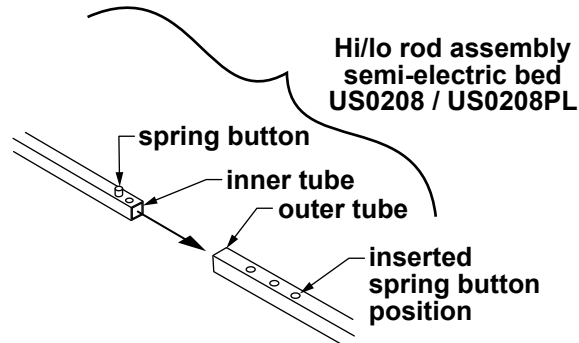


## HI/LO ROD ASSEMBLY / BED LENGTH

The hi/lo rod assembly consists of an inner and outer tube with a spring button lock to keep them together.

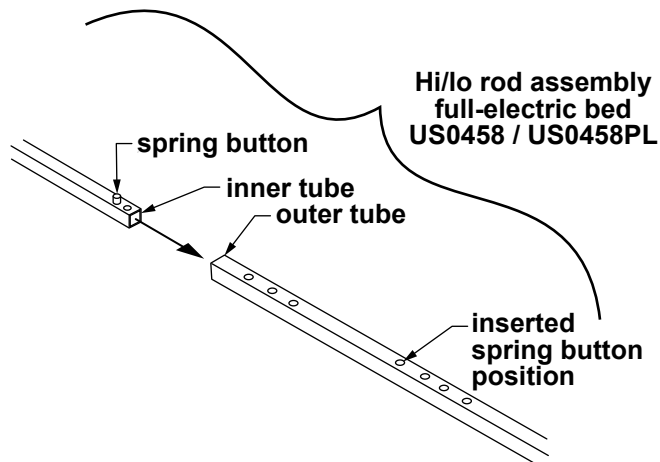
1. Assemble outer and inner tubes:

### **Semi-electric bed only (US0208 / US0208PL): Assemble hi/lo rod**



Depress spring button and insert inner tube into outer tube until third hole is reached as shown above. Release spring button to lock it into hole.

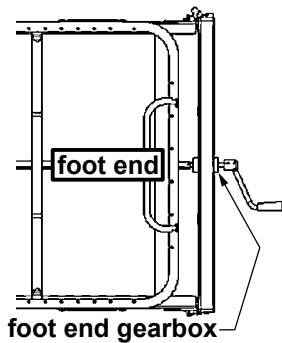
### **Full-electric bed only (US0458 / US0458PL): Assemble hi/lo rod**



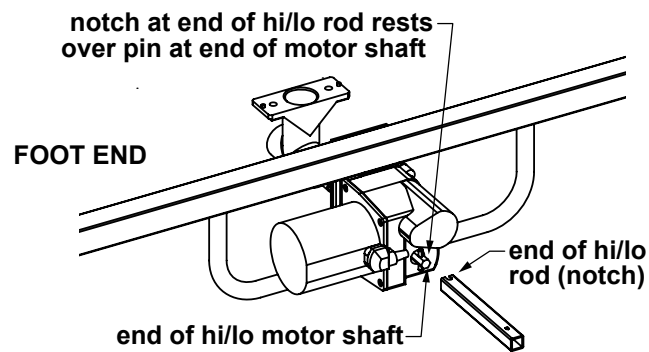
Depress spring button and insert inner tube into outer tube until first hole of second hole set is reached as shown above. Release spring button to lock it into hole.

## All models: Attach hi/lo rod to gearbox or motor shaft pins

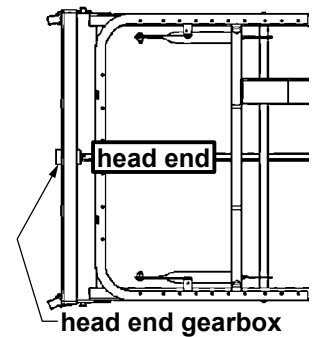
Both ends of the hi/lo rod assembly have a slot to mount on the foot end motor shaft pins and bed end gearbox shaft pins. Follow steps 2-3 to mount the hi/lo rod assembly on the gearboxes.



**Fig 1: Semi-Electric Bed:**  
Attach hi/lo rod assembly  
to foot end gearbox



**Fig 2: Full-Electric Bed:**  
Attach hi/lo rod assembly  
to foot end hi/lo motor shaft



**Fig 3: All Bed Models:**  
Attach hi/lo rod assembly  
to head end gearbox

### 2. Connect the hi/lo rod assembly to the bed.

Semi-electric bed: Attach either end of hi/lo rod assembly to the foot end gearbox as shown in Fig 1 above.

Full-electric bed: Attach either end of hi/lo rod assembly to the foot end hi/lo motor shaft as shown in Fig 2 above.

### 3. Attach other end of hi/lo rod assembly to head end gearbox as shown in Fig 3 above.

## 4 BED OPERATION

**⚠ WARNING:** Ensure that bed is secure and assembled as instructed on previous pages before operating.

Plug the power cord into any grounded outlet.

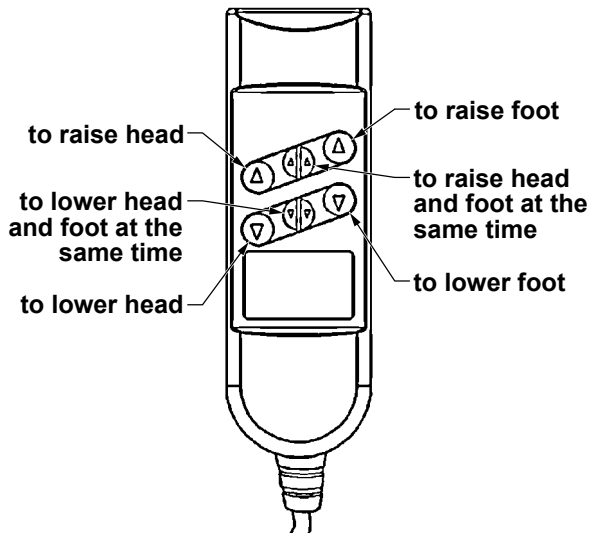
**⚠ WARNING:** Do not leave the bed unattended when plugged in.

*Info: In the event of a power failure, use a standard 9V battery to lower the bed's head and foot sections (the 9V battery connection is attached to the motor). When used with the battery, the motor will only lower, not lift, the head and/or foot sections.*

### PENDANT HAND CONTROL OPERATION

#### **Semi-electric bed only (US0208 / US0208PL)**

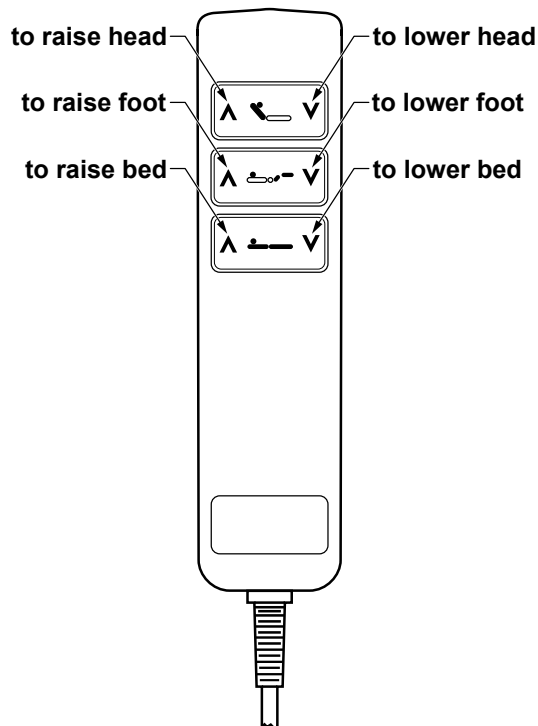
The semi-electric pendant hand control is shown at right. Use the pendant hand control to raise and lower bed head and foot. Each button has a different function, as noted in the picture.



Semi-electric  
pendant hand control

#### **Full-electric bed only (US0458 / US0458PL)**

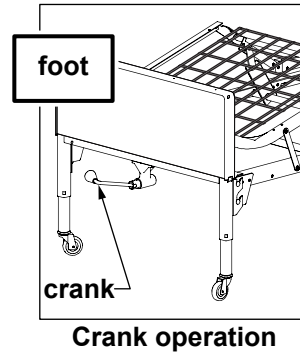
The full-electric pendant hand control is shown at right. Use the pendant hand control to raise and lower bed, head and foot. Each button has a different function, as noted in the picture.



Full-electric  
pendant hand control

## **CRANK OPERATION: SEMI-ELECTRIC BED ONLY (US0208 / US0208PL)**

Use the crank at the center foot of the semi-electric bed (shown at right) to change bed height (raise or lower entire deck).



## **TRENDELENBURG POSITION, ALL MODELS (HEAD END AT LOWER ELEVATION THAN FOOT END)**

1. Lower bed to its lowest height. Disengage the hi/lo rod by compressing the spring button and removing the hi/lo rod from the motor or bed end.
2. Raise the foot bed end using the pendant hand control or crank (semi-electric bed only). The head end will remain in the low position.

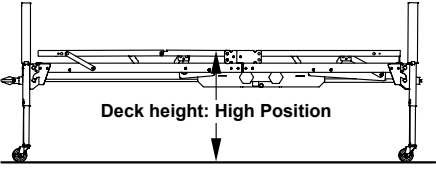
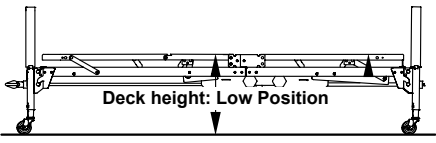
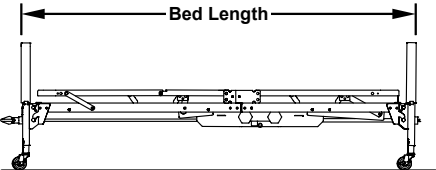
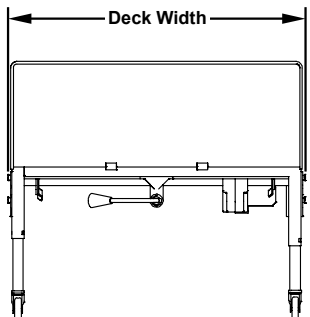
## **REVERSE TRENDELENBURG POSITION, ALL MODELS (HEAD END AT HIGHER ELEVATION THAN FOOT END)**

1. Raise bed to its highest height. Disengage the hi/lo rod by compressing the spring button and removing the hi/lo rod from the motor or bed end.
2. Lower the foot bed end using the pendant hand control or crank (semi-electric bed only). The head end will remain in the high position.



## 5 SPECIFICATIONS, ALL MODELS \*

\* Specifications are subject to change without notice.

|  |               |  |  |  |
|--|---------------|--|--|--|
| <b>Deck height</b>   | High position |    |  |  |
|  |               | US0208 / US0208PL:<br>24.0 inches  | US0458 / US0458PL with casters in low position: 20.0 inches  | US0458 / US0458PL with casters in standard position: 23.5 inches |
|  | Low position  |    |  |  |
|  |               | US0208 / US0208PL:<br>15.0 inches  | US0458 / US0458PL with casters in low position: 9.5 inches   | US0458 / US0458PL with casters in standard position: 13 inches   |
| <b>Bed length</b><br>Info: To extend grid length (80 in.) to 84 in., install optional kit 690-0084-000 (all beds). |               |    |  |  |
|  |               | All models: 87.0 inches  |  |  |
| <b>Deck width</b>  |               |   |  |  |
|  |               | All models: 36.0 inches  |  |  |
| <b>Weight *</b>  |               | Normal operating conditions  | 450 lb, evenly distributed including mattress, accessories, rails, etc.  |  |
|  |               | * Maximum patient weight   | <b>350 lb</b>  |  |
| <b>Construction</b>  |               | Frame  | 10 ga (.135) high strength, low alloy steel (roll formed)  |  |
|  |               | Sleeping surface   | 11 ga (.120) cold rolled steel   |  |
| <b>Finish</b>  |               | 5 stage bath   | <ol style="list-style-type: none"> <li>1. S21F acid bath (cleans grease and oil from metal).</li> <li>2. Fresh water rinse.</li> <li>3. QuiliPhos 20 phosphate coat (inhibits rust and helps maintain electrical charge during powder application).</li> <li>4. Fresh water rinse.</li> <li>5. QuiliRinse 404 (seals metal for powder coating).</li> </ol> |  |
|  |               | All parts are then coated with a colored epoxy powder and baked 35 minutes at 375 degrees F. The powder coating finish is approximately 2.5 mils thick. The coating is smooth, uniform finish without runs, wrinkles, or grit. |  |  |

## 6 ACCESSORIES: BED RAILS

Patriot Homecare Bed decks are equipped with patent-pending slots specifically for bed rail installation, providing a fixed place to mount GF bed rails. Two styles of Lumex bed rails are described in Section 6:

- 1) The Lumex Patriot Liberty bed rail system, designed specifically for Patriot Beds, and
- 2) Lumex Universal bed rails

Please read the following bed rail safety information.

### BED RAIL SAFETY

**⚠ WARNING: If bed rails are not properly installed and adjusted, personal injury and/or damage to the bed rail could result.**

For information on Bed Rail safety, please see the following brochure: “A Guide to Bed Safety: Bed Rails in Hospitals, Nursing Homes and Home Health Care: The Facts” on the FDA website, at [www.fda.gov/MedicalDevices/ProductsandMedicalProcedures/GeneralHospitalDevicesandSupplies/HospitalBeds/](http://www.fda.gov/MedicalDevices/ProductsandMedicalProcedures/GeneralHospitalDevicesandSupplies/HospitalBeds/)

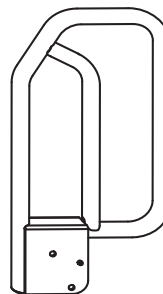
**⚠ WARNING: GF Health Products, Inc. assumes no responsibility for any damage or injury caused by improper installation of bed rails or unauthorized bed rail use. Only Lumex bed rails are recommended for use with Patriot beds. Please consult the instructions that accompany your Lumex bed rails for complete rail assembly and installation instructions.**

### LUMEX PATRIOT LIBERTY BED RAILS

Lumex Patriot Liberty Bed Rails are designed specifically for use with Lumex Patriot Beds. Developed using the *FDA Hospital Bed System Dimensional Guidance to Reduce Entrapment* and tested to the *Hospital Bed Safety Workgroup and FDA Dimensional Test Methods for Bed System Zones 1-4* and *International Standard IEC60601-2-38 Requirements for the Safety of Electrically Operated Hospital Beds*, Lumex Patriot Liberty Bed Rails offer added protection and reduce the risk of entrapment. For installation of these FDA compliant-bed rails, follow the installation instructions that accompany them. Patriot Liberty Bed Rail descriptions follow.

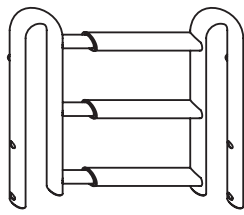
#### GF6500B-1: Assist Bar

The Assist Bar, shown at right, is a secure handhold and support for active patients who need assistance getting in and out of bed on their own. This bar is bolted directly to either side of the bed frame to support the split frame when a patient enters or exits the bed. It can also assist patients capable of grasping the bar and maneuvering themselves with rotating and turning in bed.

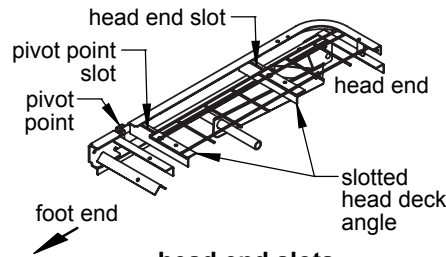


**GF6500B-1  
Assist Bar**

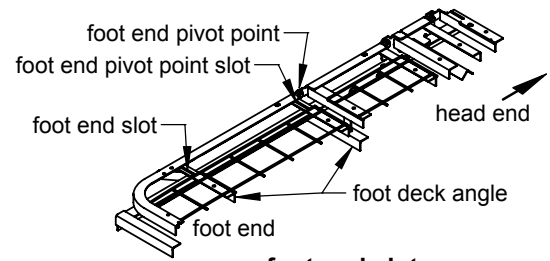
## GF6580B-1: Quarter Rail



**GF6580B-1  
Quarter Rail**



**head end slots**



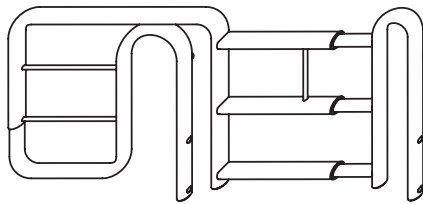
**foot end slots**

The Quarter Rail, shown above, is approximately 18 inches in length when mounted on the Patriot bed. It can be used as a head assist, head rail, or foot rail.

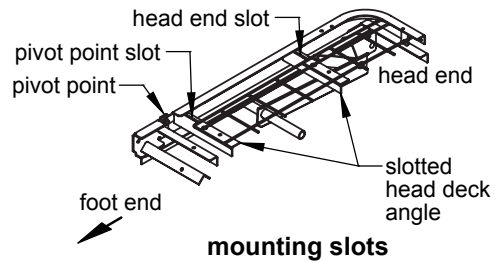
Mounting slot locations utilized when the Quarter Rail is used as a head rail are shown in “head end slots” above (opposite slots are directly across bed).

Mounting slot locations utilized when the Quarter Rail is used as a foot rail are shown in “foot end slots” above (opposite slots are directly across bed).

## GF6590B-1: Half No-Gap Head Rail



**GF6590B-1  
Half No-Gap Head Rail**

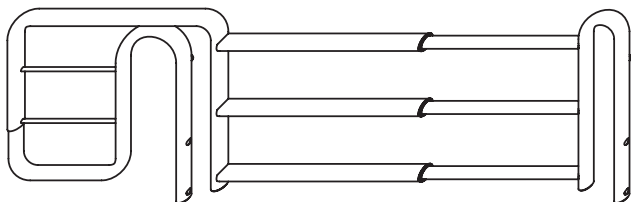


**mounting slots**

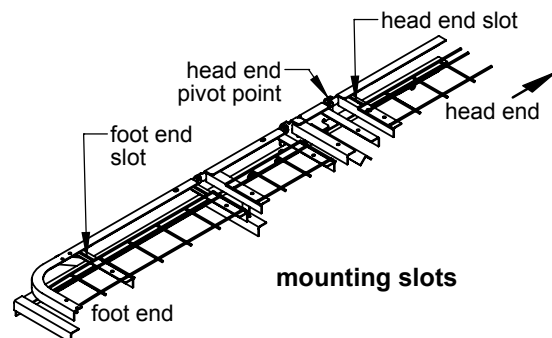
The Half No-Gap Head Rail, shown above, provides full head coverage of 31.5 inches and extends to eliminate the gap between the head board and the end of the rail. The GF6590B-1 mounted on the bed’s head and the GF6580B-1 mounted on the bed’s foot combine to create the Patriot split rail system.

Half No-Gap Head Rail mounting slot locations are shown in “mounting slots” above (opposite slots are directly across bed).

## GF6570B-1: Full Length Rail



**GF6570B-1  
Full-Length Rail**



**mounting slots**

The Full Length rail, shown above, is a nominal, telescoping full length rail that provides maximum length rail perimeter coverage.

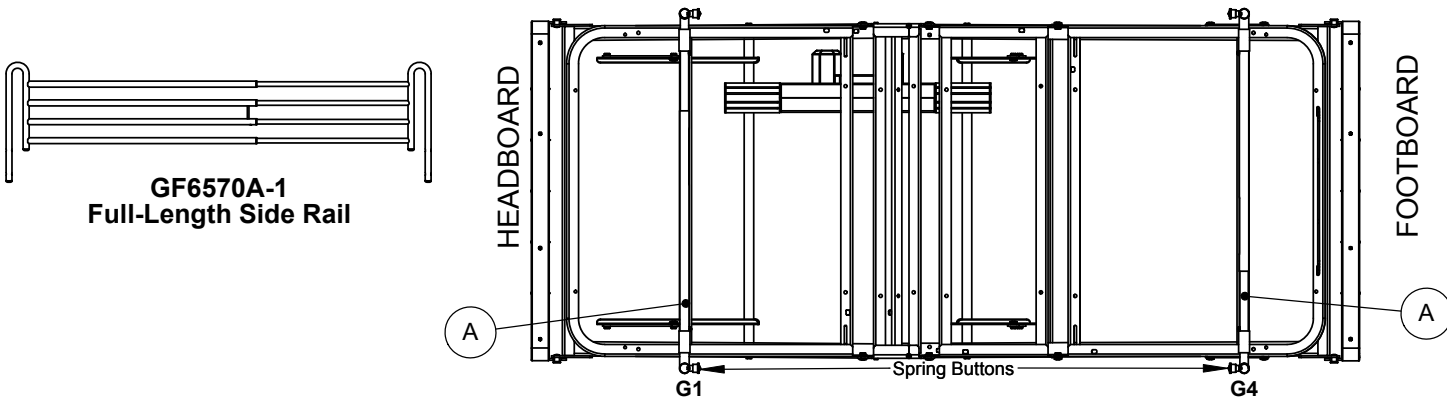
Full Length Rail mounting slot locations are shown in “mounting slots” above (opposite side slots are directly across bed).

## LUMEX UNIVERSAL BED RAILS

If you install Lumex universal bed rails, follow the installation instructions that accompany them; the following instructions are provided to describe the differences between the installation of bed rail crossbraces on Patriot grid beds and spring beds.

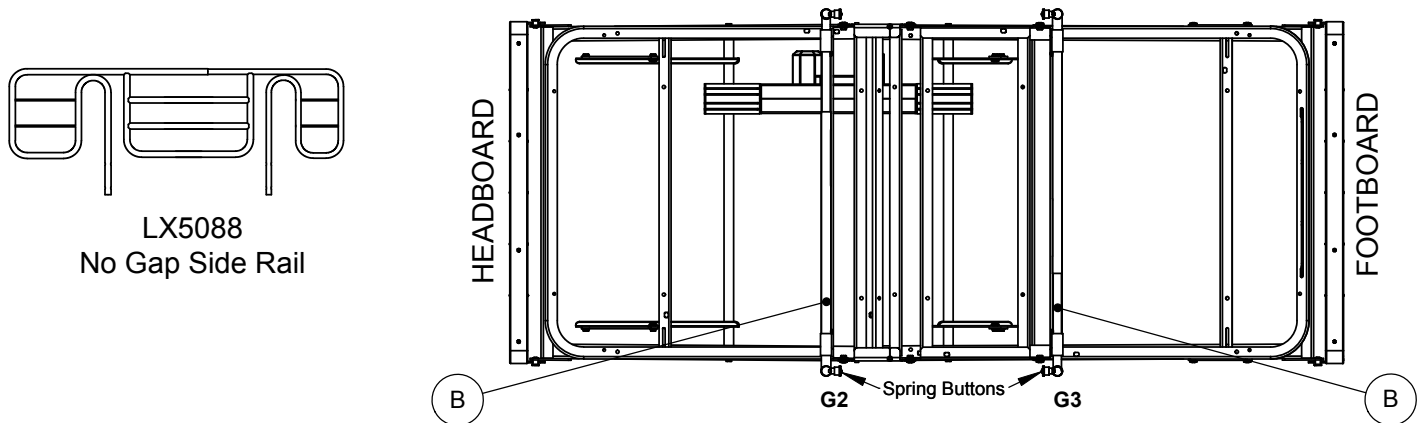
**⚠ WARNING: Do not use the bed rails as handles for getting into or out of bed; this could result in personal injury and damage to the bed rails.**

### GF6570A-1: Full Length Side Rail



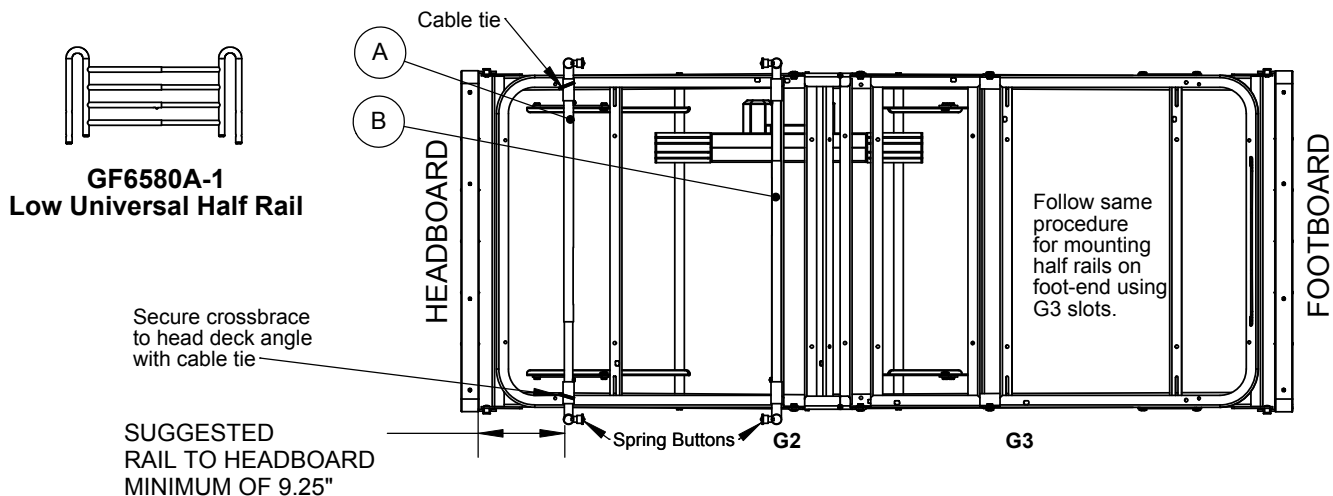
Position spring-loaded crossbraces #A into slots G1 and G4 on both sides of bed with spring buttons facing inward as shown above.

### LX5088: No-Gap Bed Rail



Position spring-loaded crossbraces #B into slots G2 and G3 on both sides of bed with spring buttons facing inward as shown above.

## GF6580A-1: Low Universal Half Rail



**Head end:** Position spring-loaded crossbrace #B into slots G2 on both sides of bed. Position crossbrace #A so that the stabilizer rests underneath the head deck angle. Secure the crossbrace to the head deck angle with a cable tie. Ensure spring buttons face inward as shown above.

*Info: Suggested rail-to-headboard minimum is 9.25 inches.*

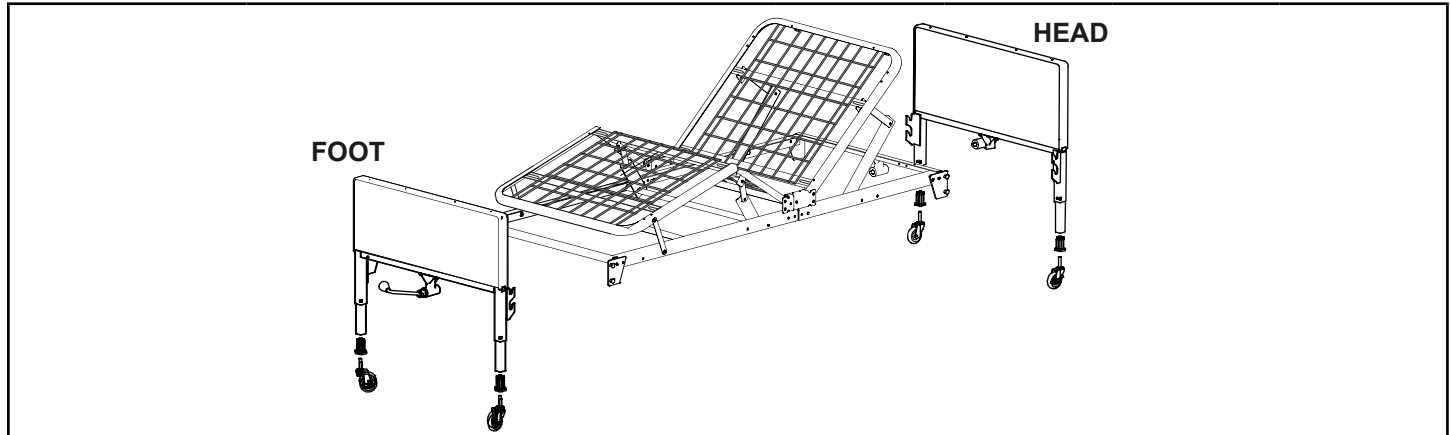
**Foot end:** Position spring-loaded crossbrace #B into slots G3 on both sides of bed. Position crossbrace #A so that the stabilizer rests underneath the foot deck angle. Secure the crossbrace to the foot deck angle with a cable tie. Ensure spring buttons face inward as shown at head end above.

## 7 SERVICE PARTS, ALL MODELS

Service parts for all bed models are shown below and on the following two pages. See pictures and tables for appropriate service parts.

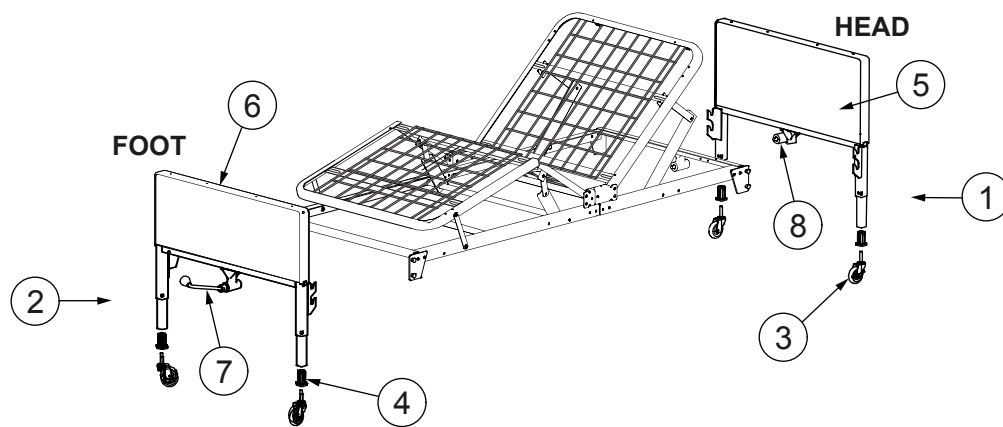
*Info: To order service parts, contact our Customer Service department at 800-365-2338 (fax 920-929-8213).*

### BED COMPONENTS



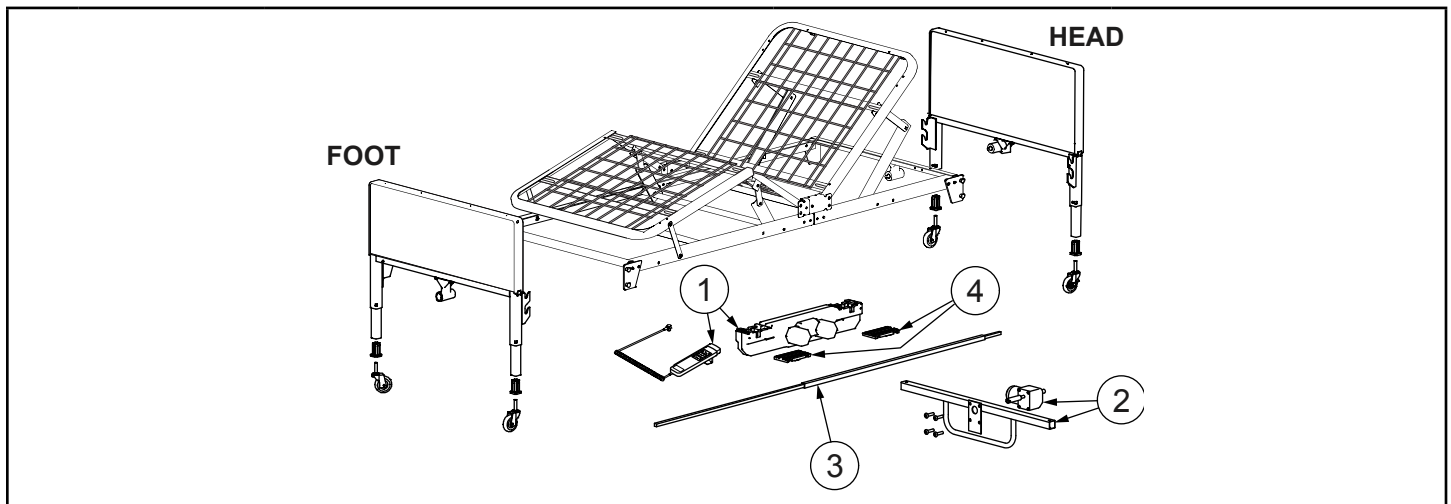
| Part number  | Description                                  | Semi-electric |          | Full-electric |          |
|--------------|--|---------------|----------|---------------|----------|
|              |  | US0208        | US0208PL | US0458        | US0458PL |
| 690-7100-901 | Head section, includes hi/lo rod             | X             | X        | X             | X        |
| 690-7105-902 | Foot section, semi-electric, includes motor  | X             | X        |               |          |
| 690-7104-902 | Foot section, full-electric, includes motors |               |          | X             | X        |
| 690-7001-000 | End set, semi-electric, walnut panels        | X             |          |               |          |
| 690-7601-000 | End set, semi-electric, plastic panels       |               | X        |               |          |
| 690-7004-000 | End set, full-electric, walnut panels        |               |          | X             |          |
| 690-7604-000 | End set, full-electric, plastic panels       |               |          |               | X        |

## BED END COMPONENTS



| Item | Part number  | Description   | Semi-electric |          | Full-electric |          |
|------|--------------|---|---------------|----------|---------------|----------|
|      |              |   | US0208        | US0208PL | US0458        | US0458PL |
| 1    | 690-7001-901 | Head bed end, semi-electric, walnut panels          | X             |          |               |          |
|      | 690-7601-901 | Head bed end, semi-electric, plastic panels         |               | X        |               |          |
|      | 690-7004-901 | Head bed end, full-electric, walnut panels          |               |          | X             |          |
|      | 690-7604-901 | Head bed end, full-electric, plastic panels         |               |          |               | X        |
| 2    | 690-7001-902 | Foot bed end, semi-electric, walnut panels          | X             |          |               |          |
|      | 690-7601-902 | Foot bed end, semi-electric, plastic panels         |               | X        |               |          |
|      | 690-7004-902 | Foot bed end, full-electric, walnut panels          |               |          | X             |          |
|      | 690-7604-902 | Foot bed end, full-electric, plastic panels         |               |          |               | X        |
| 3    | 999-0301-904 | Caster, set of 4: 2 locking & 2 non-locking         | X             | X        | X             | X        |
|      | 100-6330-014 | Caster, non-locking, each                           | X             | X        | X             | X        |
|      | 100-6330-015 | Caster, locking, each                               | X             | X        | X             | X        |
| 4    | 100-4200-012 | Caster socket, each                                 | X             | X        | X             | X        |
| 5    | 554-2001-015 | End panel, head/foot, semi-electric, walnut panels  | X             |          |               |          |
|      | 690-5001-025 | End panel, head/foot, semi-electric, plastic panels |               | X        |               |          |
|      | 690-5004-015 | End panel, head/foot, full-electric, walnut panels  |               |          | X             |          |
|      | 690-5004-025 | End panel, head/foot, full-electric, plastic panels |               |          |               | X        |
| 6    | 554-2001-059 | Capping, bed end, head/foot, semi-electric          | X             | X        |               |          |
|      | 690-5004-059 | Capping, bed end, head/foot, full-electric          |               |          | X             | X        |
| 7    | 600-2001-912 | Foot elbow, full-electric                           |               |          | X             | X        |
|      | 600-2001-916 | Foot elbow with crank, semi-electric                | X             | X        |               |          |
|      | 999-0353-000 | Foot crank only, semi-electric                      | X             | X        |               |          |
| 8    | 600-2001-910 | Elbow, head end, semi-electric & full-electric      | X             | X        | X             | X        |
| 9    | 690-1000-100 | End locking hardware, set of 4 (not shown)          | X             | X        | X             | X        |

## BED SERVICE PARTS



| Item | Part number  | Description                                   | Semi-electric, H7920SE | Full-electric, H7920FE |
|------|--------------|---|------------------------|------------------------|
|      |              |   | US0208 / US0208PL      | US0458 / US0458PL      |
| 1    | 690-2001-913 | Motor and pendant hand control, semi-electric | X                      |                        |
|      | 690-2001-411 | Pendant hand control, semi-electric           | X                      |                        |
|      | 690-3001-943 | Motor and pendant hand control, full-electric |                        | X                      |
|      | 690-2001-414 | Pendant hand control, full-electric           |                        | X                      |
| 2    | 690-7001-944 | Motor and bracket, hi/lo                      |                        | X                      |
|      | 690-3001-945 | Motor, hi/lo, full-electric                   |                        | X                      |
| 3    | 554-2018-901 | Hi/lo rod assembly                            | X                      | X                      |
| 4    | 690-2001-412 | Motor slide covers                            | X                      | X                      |
| 5    | 690-1000-100 | End locking hardware, set of 4 (not shown)    | X                      | X                      |

*Info: US0208 and US0208PL are identified on the foot section component label as Patriot Semi-Electric Bed Model H7920SE.*

*Info: US0458 and US0458PL are identified on the foot section component label as Patriot Full-Electric Bed Model H7920FE.*



## 8 MAINTENANCE AND SAFETY CHECKS

Perform the following as needed or between patient placements, whichever happens sooner:

|  |   |                           |
|--|---|---------------------------|
| <b>Electronics and Motors</b>                                      | Check all controls to ensure that all functions work properly.  | Foot control              |
|  |   | Head control              |
|  |   | Hi/Lo (if applicable)     |
|  | Check all cables for damaged or frayed wires.   | Power cord                |
|  |   | Pendant hand control cord |
|  | Check to ensure that all plugs are fully inserted or attached.  |                           |
|  | Check to ensure that all wires are routed and attached properly so not to interfere with any moving parts.  |                           |
|  | Inspect motor casings for excessive wear and cracks   |                           |
| Inspect motor slide caps for excessive wear and deformation        |   |                           |
| <b>Bed frames and sleeping surface</b>                             | Visually check all welds  | Head section              |
|  |   | Foot section              |
|  |   | Main Frame                |
|  | Check joints between sleeping surface sections for loose fasteners.   |                           |
| Inspect frames and sleeping surface for bending and excessive wear |   |                           |
| <b>Cleaning</b>  | The metal parts of the bed are covered with a powder coating. Clean all coated parts with mild detergent and warm water. Periodically raise head and foot sections of the bed and remove dust from frame. Also, periodically remove mattress and clean mattress deck. |                           |
| <b>Lubrication and mechanical</b>                                  | Lubricate all caster roller and swivel bearings with light machine oil.   |                           |
|  | Check all bolts and tighten as needed.  |                           |

**⚠ WARNING: The bed's electronic system contains no serviceable parts. Do not open the motors, cables, or pendant hand control. Only an authorized equipment provider or factory-trained personnel may perform service or adjustments on these components.**

## **9 WARRANTY**

GF Health Products, Inc. warrants the

**Patriot US0208 / US0208PL Semi-Electric Homecare Bed**

**Patriot US0458 / US0458PL Full-Electric / Low Bed**

as follows:

Two-year limited warranty for defects in workmanship and materials of mechanical components, frame, and electronics.

During the warranty period, defective items will be repaired or replaced at manufacturer's option. The warranty does not include any labor charges incurred in replacement part(s) installation or any associated freight or shipping charges to the manufacturer.

The warranties contained herein contain all the representations and warranties with respect to the subject matter of this document, and supersede all prior negotiations, agreements and understandings with respect thereto. The recipient of this document hereby acknowledges and represents that it has not relied on any representation, assertion, guarantee, warranty, collateral contract or other assurance, except those set out in this document.

## 10 INDEX

### A

Assembly instructions 5

### B

Bed end assembly 9

Bed end locking hardware, install 10

Bed extension kit, 84" 17

Bed height, low, full-electric 8

Bed height, standard, full-electric 8

Bed length adjustment 13

Bed operation 15

Bed rails 18

Bed rail safety 18

### C

Caster position (full-electric bed only) 8

CAUTION statement, significance 3

Crank operation (semi-electric bed only) 16

### D

Deck height (high position) 17

Deck height (low position) 17

### F

Full-electric 13

### H

Head and foot assembly instructions 5

Hi/lo rod assembly 13

### I

Info statement, significance 3

Introduction 3

### L

Lumex Patriot Liberty bed rails 18

Lumex universal bed rails 20

### M

Maintenance, bed frame and sleeping surface 25

Maintenance, cleaning 25

Maintenance, electronics 25

Maintenance, lubrication and mechanical 25

Maintenance and safety checks 25

Motor assembly 6

Motor assembly troubleshooting 7

Motor slide caps, install 7

Motor slide caps, remove 6

### N

NOTICE statement, significance 3

### P

Pendant hand control operation, full-electric 15

Pendant hand control operation, semi-electric 15

Power failure; battery operation 15

### S

Service parts, all models 22

Service parts, bed components 22

Service parts, bed end components 23

Specification, construction 17

Specification, weight 17

Specifications, dimensions 17

### T

Thermal motor protection 4

Trendelenburg position 16

Trendelenburg position, reverse 16

### W

WARNING statement, significance 3

Warranty 26

**U.S.A. Corporate Headquarters:**

**GF Health Products, Inc. (“Graham-Field”)**

2935 Northeast Parkway

Atlanta, Georgia 30360

telephone: 770-368-4700



**GRAHAM-FIELD**  
[www.grahamfield.com](http://www.grahamfield.com)