



**TRIBUTARIES®**

Bringing it all **together**

# T100 POWER MANAGER



**Owner's Manual  
Installation & Operation Guide**

[www.tributariescable.com](http://www.tributariescable.com)

# T100 POWER MANAGER

## **Congratulations!**

Thank you for purchasing the TRIBUTARIES® T100 Power Manager. The Tributaries T100 is one of the most advanced and complete power management systems available. With the T100 integrated into your home entertainment system, you may rest assured that your audio/video components have a clean source of power free of signal degrading noise and distortion. By utilizing the latest surge suppression technology your equipment will be protected from damaging spikes and harmful surges, as well as over voltage and under voltage conditions.

In support of environmental protection, the T100 is RoHS compliant. The RoHS Directive stands for "the restriction of the use of lead, cadmium, mercury, hexavalent chromium, polybrominated biphenyl (PBB) and polybrominated diphenyl ether (PBDE) flame retardants certain hazardous substances in electrical and electronic equipment". The T100 also complies with the RoHS provision of California SB 20: Electronic Waste Recycling Act of 2003.

In addition to power protection and performance enhancement, the T100 offers triggering options which can control your system's startup and shut-down processes. By following a few simple steps, your T100 will control all of your home entertainment system. To assist you in achieving further system improvements, Tributaries offers a comprehensive line of audio, video, digital and speaker cables and accessories. They provide unparalleled quality, performance, and reliability. For a free downloadable Product Catalog visit our website at [www.tributariescable.com](http://www.tributariescable.com).

## **TABLE OF CONTENTS**

<b>Important safety instructions.....</b>	<b>2</b>
<b>Front and rear view.....</b>	<b>4</b>
<b>Introduction and product overview.....</b>	<b>5</b>
<b>Features and technologies.....</b>	<b>5</b>
<b>Installation overview.....</b>	<b>7</b>
<b>Package contents.....</b>	<b>7</b>
<b>Planning your system.....</b>	<b>7</b>
<b>Planning your AC connections.....</b>	<b>8</b>
<b>Making connections.....</b>	<b>8</b>
<b>Troubleshooting.....</b>	<b>9</b>
<b>Specifications.....</b>	<b>10</b>
<b>Limited 3 year warranty .....</b>	<b>11</b>

# IMPORTANT SAFETY INSTRUCTIONS

## PLEASE READ THIS FIRST!

Your Tributaries T100 Power Manager represents the latest in power management and protection technology. However, like any electronic device, if inappropriately or improperly installed it may not perform as intended. By following a few common sense precautions, your Power Manager product will give you a lifetime of worry-free performance.

The following safety precautions apply to this and all Tributaries Power Manager products.

### EXPLANATION OF GRAPHICAL SYMBOL



The exclamation point within a rectangle is intended to alert the user to the presence of important operating and maintenance instructions in the literature accompanying the unit.

**WARNING: TO REDUCE THE RISK OF FIRE OR ELECTRIC SHOCK, DO NOT EXPOSE THIS EQUIPMENT TO RAIN OR MOISTURE.**

**NO USER-SERVICEABLE PARTS INSIDE. REFER SERVICING TO QUALIFIED PERSONNEL. To reduce the risk of electric shock, do not remove the cover or back. There are no user-serviceable parts inside.**

### GENERAL

- Please read the safety instructions on this owner's manual prior to operating the T100.
- Keep these safety instructions for future reference when operating the T100.
- Heed all warnings contained in this operating manual and/or printed on the T100.
- Follow all instructions.
- **Warning:** to reduce the risk of fire or electric shock, do not expose this equipment to rain or moisture.
- **Caution:** to prevent electric shock do not use this (polarized) plug with an extension cord, receptacle, or other outlet unless the blades can be fully inserted to prevent blade exposure.
- When not in use: Unplug the T100 during lightning storms or when unused for long periods of time.
- Only use accessories specified by Tributaries.

### INSTALLATION

- **Heat:** Do not place the T100 near any heat sources such as radiators, heat registers, stoves, A/V receivers or amplifiers that produce considerable amounts of heat.
- **Water and moisture:** Do not use the T100 near water, such as a bathtub, washbowl, or swimming pool.
- **Dripping or splashing:** The T100 shall not be exposed to dripping or splashing and no objects filled with liquids, such as vases, shall be placed on the T100.
- **Carts and stands:** When the T100 is placed or mounted on a stand or cart; the unit should be moved with care. Quick stops, excessive force, and uneven surfaces may cause the unit and cart to overturn or fall.
- **Cleaning:** Clean the T100 only with a dry cloth.
- **Ventilation:** Provide at least 1" below and at least 3" above the T100.

### ELECTRICAL POWER

- **Power Sources:** The T100 should only be connected to power sources specified in the owner's manual and marked on the unit.
- **AC power cord:** Protect the power cord from being walked on or pinched particularly at plugs, convenience receptacles, and the point where they exit from the apparatus.
- **Grounding prong:** Do not defeat the safety purpose of the polarized or grounding-type plug.

A polarized plug has two blades with one wider than the other. A grounding type plug has two blades and a third grounding prong. The wide blade or the third prong are provided for your safety. If the provided plug does not fit into your outlet, please consult a qualified electrician for replacement of the obsolete outlet.

- Do not overload wall outlets, extension cords, or integral convenience receptacles as this can result in a risk of fire or electric shock.
- To completely disconnect this equipment from the AC mains, disconnect the power supply cord plug from the AC receptacle.

#### **ROOFTOP ANTENNAS AND SATELLITE DISHES**

- If you use rooftop devices such as satellite dishes, antennas, or any other component with wire that connects to your Tributaries T100, ensure the cable(s) is properly grounded. Use grounding techniques specified in Section 810 of the National Electrical Code (NEC), ANSI/NFPA 70 (in Canada, Part 1 of the Canadian Electrical Code). This protects against voltage surges and static charges. Do not place any part of an antenna near overhead power lines, or any other power circuit. Do not touch any power line or power circuit. Doing so may cause you severe physical injury and possibly result in death.

#### **CARE OF EQUIPMENT**

- In general, the only cleaning necessary for your Tributaries T100 is a light dusting. Unplug your component from the wall outlet before cleaning it. Do not use any type of liquid or aerosol cleaners.
- Do not operate your Tributaries T100 if liquid of any kind is spilled onto or inside the unit. Do not operate your Tributaries T100 near rain or water that's spilled or openly exposed (e.g., bathtub, kitchen or bathroom sink).
- Unplug the power cord from the AC power outlet when left unused for a long period of time.

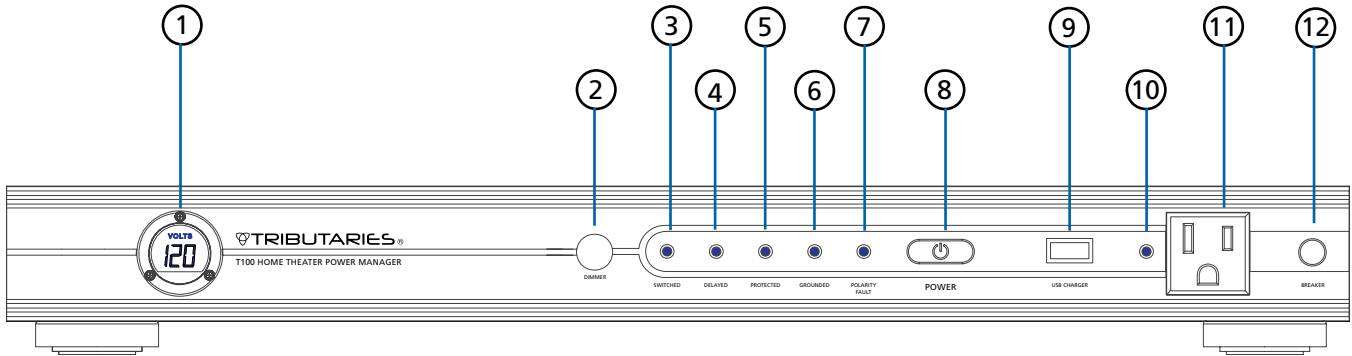
#### **REPAIR OF EQUIPMENT**

- Do not attempt to service the T100. Refer all servicing to qualified service personnel. Servicing is required when the T100 has been damaged in any way, such as the power-supply cord or plug is damaged, liquid has been spilled or objects have fallen into the T100, the T100 has been exposed to rain or moisture, does not operate normally, or has been dropped.
- No User Serviceable Parts Inside. If, for any reason, your Tributaries T100 is not operating properly, do not remove any part of the unit (cover, etc.) for repair. Unplug the unit and consult this owner's manual for warranty and service information.
- When replacement parts are required, be sure the service technician has used replacement parts specified by Tributaries or have the same characteristics as the original part. Unauthorized substitutions may result in fire, electrical shock, or other hazards.
- Upon completion of any service or repairs to this product, ask the technician to perform safety checks to determine that the product is in proper operating condition prior to use.
- If you have any difficulty operating the T100, please refer to the warranty information contained in this owner's manual.
- Please read and observe the following safety points at all times.

**WARNING!** Servicing: There are no user-serviceable parts inside a Power Manager product. Please contact an authorized Tributaries dealer for information on service and repairs.

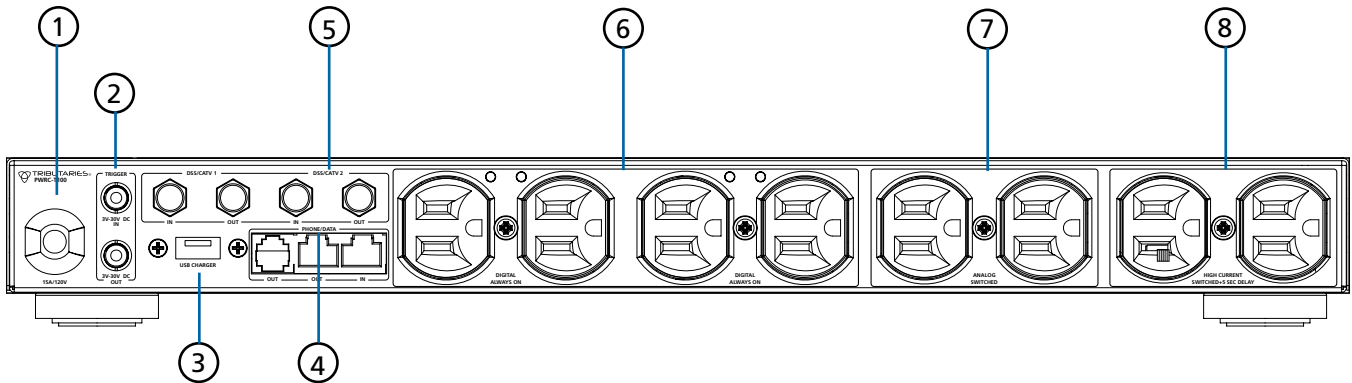
# FRONT AND REAR VIEWS

## T100 FRONT PANEL



- |  |   |
|--|---|
| <ol style="list-style-type: none"> <li>1. Voltage Meter</li> <li>2. LED Dimmer Control</li> <li>3. "SWITCHED" LED</li> <li>4. "DELAYED" LED</li> <li>5. "PROTECTED" LED</li> <li>6. "GROUNDED" LED</li> <li>7. "POLARITY FAULT" LED</li> </ol> | <ol style="list-style-type: none"> <li>8. POWER Switch</li> <li>9. USB Light/Charger Receptable</li> <li>10. Indicator LED for Front Panel Outlet</li> <li>11. ALWAYS-ON outlet (No Conditioning)</li> <li>12. Circuit BREAKER</li> </ol> |
|--|---|

## T100 BACK PANEL



- |  |   |
|--|---|
| <ol style="list-style-type: none"> <li>1. Power Cord</li> <li>2. TRIGGER IN/OUT</li> <li>3. USB Light/Charger receptacle</li> <li>4. PHONE/Data receptacles</li> <li>5. DSS/CATV RF IN/OUT connectors</li> </ol> | <ol style="list-style-type: none"> <li>6. 4 DIGITAL ALWAYS-ON outlets</li> <li>7. 2 ANALOG SWITCHED outlets</li> <li>8. 2 HIGH CURRENT SWITCHED + 5 Second Delay</li> </ol> |
|--|---|

## INTRODUCTION AND PRODUCT OVERVIEW

The Tributaries T100 Power Manager is designed for audio/video & home theater systems requiring a single solution surge suppressor as well as an effective AC line filtering device, all at a reasonable price. Featuring 9 outlets, 8 on the rear panel and 1 convenience outlet on the front panel, the T100 provides individual AC outlet pairs for Analog electronics, Digital electronics and High Current power amplifiers.

The Tributaries T100 also features 2 USB outlets, one on the front panel and one on the rear panel.

## FEATURES AND TECHNOLOGIES

### AC LINE FILTERING and CONDITIONING

Tributaries T100 provides independent AC line filtering and conditioning for the (2) ANALOG, (4) DIGITAL and (2) HIGH CURRENT outlets. This greatly reduces the noise generated from one component from adversely effecting another.

### AC LINE SURGE SUPPRESSION

The Tributaries T100 is designed with state of the art surge suppression electronics. In the extremely rare event that this system fails, the PROTECTED LED on the front panel will **not** illuminate.

### RF INPUT SURGE SUPPRESSION

Surge Suppressed RF inputs and outputs for Cable TV, Satellite Receivers, and RF Antenna Systems are provided. The RF inputs have the required bandwidth to pass satellite and cable or standard terrestrial TV signals without loss.

### PHONE / DATA LINE SURGE SUPPRESSION

Surge suppression for a phone and/or data input is also provided. Located on the rear panel, the RJ45 IN jack can be connected to an RJ11 phone plug or an RJ45 data plug. There are (2) OUT jacks, (1) RJ45 and (1) RJ11, providing surge suppression for (1) phone line in and (2) phone lines out or (1) data line in and (1) data line out.

### 9 OUTLETS

On the rear panel, the (4) DIGITAL "Always-on" outlets (2 pair) are primarily designed for connecting Cable TV set top boxes, satellite receivers and any device that is normally powered-on 24/7. The (2) ANALOG "Switched" outlets (1 pair) on the rear panel are designed for a/v equipment that is not microprocessor controlled or those that are normally turned off when not being used. One pair of High Current "Switched" outlets on the rear panel with a 5 second turn-on delay is provided for power amplifiers, receivers or integrated amplifiers. There is (1) ALWAYS-ON unfiltered convenience outlet located on the front panel.



### IMPORTANT NOTE

Designed for any 120VAC device, the front panel Convenience Outlet does not have line filtering.

### 1800 WATT / 15 AMPERE RATING

Tributaries T100 Power Manager is designed to provide a maximum of 1800W (120V@15A) of clean, filtered and surge protected power to your audio and video components.

### UNDER VOLTAGE and OVER VOLTAGE PROTECTION

Voltage surges and "brown-outs" can be damaging to electronic components. To protect your valuable components, the T100 is engineered with a microprocessor circuit that is designed to protect against over voltage and under voltage conditions. If the incoming voltage exceeds 135 volts, the T100 will shut down automatically resetting when the voltage drops back to 130 volts. If the incoming voltage drops below 90 volts, the T100 will shut down, automatically resetting when until the voltage returns to 95 volts.

### FRONT PANEL CIRCUIT BREAKER

If the T100 experiences an incoming current in excess of 15A, the front panel circuit BREAKER will disconnect the mains power. To reset the BREAKER simply push it in.

### USB OUTLETS

Two USB multi-purpose outlets, one on the front panel and one on the rear panel, are designed for charging compatible cell phones, iPods or any other device designed with a USB connector. They can also be used for powering the included USB light. Made with a 12" gooseneck, the USB light is terminated with a USB connector and is fitted with a small magnetic plate. The lamp may be plugged into the front or rear USB connector and used to illuminate the front or rear of the components. The magnetic plate makes it easy to store the lamp when not in use.

### EXTERNAL DC POWER-ON TRIGGER

This feature enables the remote turn-on of the T100 Power Manager by a component providing a 3-12 volt trigger output. A TRIGGER IN 3.5mm jack is provided as well as a TRIGGER OUT 3.5mm jack for daisy chaining a second Tributaries Power Manager. The TRIGGER OUT provides the capability to turn-on another power product that has a trigger input.

### FRONT PANEL INDICATORS OF OUTLET STATUS

The blue LEDs provided on the front and rear panels of the T100 indicate status and timing of the SWITCHED, DELAYED, ALWAYS-ON outlets as well as for the status of the surge suppression electronics (PROTECTED) and grounding circuits (GROUNDED). A red LED (POLARITY FAULT) will illuminate if the wiring of the outlet into which the T100 is plugged is faulty (see below).

### LED DIMMER CONTROL

A retractable LED DIMMER control is located on the front panel. Rotating the control clockwise increases the LED's brightness and counterclockwise rotation dims them. Please note; to comply with UL® standards, the LEDs can't be turned off completely. To store the control, push it in until the locking mechanism engages. To release it, push it in.

### POWER SWITCH

To prevent inadvertent turn on or turn off, the front panel POWER switch must be depressed for at least 2 seconds.

### POLARITY IDENTIFICATION

Polarity Identification is provided to guarantee that the AC outlet the T100 is plugged into is wired correctly. The illumination of the blue POLARITY FAULT LED indicates that the White and Black AC wires of the outlet into which the T100 is connected are reversed.



**DO NOT OPERATE YOUR T100 WITH A LINE PROBLEM. IF THE RED POLARITY FAULT LED DOES ILLUMINATE, DISCONNECT THE UNIT IMMEDIATELY. A LICENSED ELECTRICIAN WILL NEED TO REPAIR THE FAULTY WIRING PRIOR TO RECONNECTING THE T100.**

### UL® Listings

Your T100 has been exhaustively tested by Underwriter's Laboratory (UL®). This ensures the product is safe when operated according to these instructions. The T100 has been certified for:

**UL 1449:** Standard for Transient Voltage Surge Suppressors

**UL 1363:** Standard for Relocatable Power Taps

**UL 61010-1:** General safety requirement for USB charger

**UL 60950:** Protection for DATA Processing equipment (RJ11 & RJ45)

**UL1283:** Electromagnetic Interference Filters for 50/60Hz equipment

## DIGITAL VOLTMETER

A digital voltage reading meter is provided on the front panel to indicate the voltage of the incoming AC line. The meter's blue LEDs illuminate when the unit is connected to a live main. The illumination may be changed using the front panel DIMMER control.

## INSTALLATION OVERVIEW

The following is an overview for installing your Power Manager product.

- Unpack all of the contents of the T100 carton.
- Plan your system and lay out all of the equipment that will be connected to the T100.
- Place the T100 in the location where it will be used, being sure to follow both the safety precautions listed in the front of this manual and the placement recommendations (see below). DO NOT plug the unit in yet.
- Plug each of the components into the T100. You may want to make a note on paper listing the components that are connected to each outlet.
- Connect any devices with coaxial outputs to the F-connectors.
- Attach the phone / data line to the RJ-45 IN jack.
- With all of the attached components in the OFF position, plug the T100 into the wall.
- With the T100 OFF, attach remote triggering cables (if applicable).
- Test for proper operation.

## PACKAGE CONTENTS

- (1) Tributaries T100
- (1) Installation & Operation Guide
- (1) 12" Gooseneck Light w/USB connector
- (1) 6ft phone cable
- (1) 6ft RF cable

## PLANNING YOUR SYSTEM

Think about which components need to work together, and place them in close proximity to one another. Be aware of those products that generate the most heat and understand that excessive heat adversely affects your components. Place them accordingly - allowing sufficient ventilations. You may also want to consider putting frequently handled components in the most convenient locations. Decisions about triggering options for your T100 will depend on many factors including the type of components in the system and whether they are self-controlled or part of a multi-room or whole-house system. By carefully planning the system's architecture in advance, your T100 can be integrated into any configuration you choose.

All components in a system must be connected to a Power Manager in order for the system to be protected from electrical disturbances and to achieve maximum noise and AC line conditioning benefits. This includes AC power cables, coaxial connections, and telephone and/or data cables. Failure to do this will degrade system performance and leave it vulnerable to electrical damage.

### PLACEMENT

It is recommended that the T100 be placed in the same location as your other audio/video components so it can be easily reached when manually operating the other controls in the system. There should be a clear line of sight between the operator and the unit to allow easy user feedback of system status. The T100 should be placed on a flat, stable shelf or platform.



## PLANNING YOUR AC CONNECTIONS

### CONNECTING COMPONENTS TO THE Tributaries T100

On the rear panel there are eight (12) AC outlets. Connect the AC power cables from your components to the appropriate outlets on the Tributaries T100. Determine which components will be "Always-On". Generally, these will be any components that have a clock-readout such as a VCR, Cable TV Tuner, Set-Top Box, or Satellite Receiver. For operational convenience, it is advisable to connect the AC plugs from these components to AC receptacles on the Tributaries T100 that are in the same, or adjacent pairs, of outlets.



For maximum protection, connect your analog devices into the ANALOG outlets, digital components into the DIGITAL outlets and the high current components into the HIGH CURRENT outlets. However, for convenience, any component may be connected into any outlet without causing harm to the individual components; they may not be afforded maximum filtering and conditioning.

## MAKING CONNECTIONS

All components in a system must be connected to a Power Manager in order for the system to be protected from electrical disturbances and to achieve maximum noise filtering and line conditioning benefits. This includes AC power cables, coaxial connections, data cables and telephone lines used with pay-per-view systems. Failure to do this will degrade system performance and leave it vulnerable to electrical damage.

### CABLE TV AND/OR SATELLITE TV CONNECTIONS

The Tributaries T100 provides three pair (3pr) RF inputs & outputs for the protection of cable TV and/or satellite TV components. All inputs provide the same protection.



For optimum performance, all cables used to connect to the RF inputs of the Tributaries T100 should be shielded RG 6. Contact your Tributaries Dealer for more information.

Connect the incoming cable TV line to the **DSS/CATV 1** input. Connect the **DSS/CATV 1** output to a cable TV tuner input. Connect the cable from a satellite dish to the **DSS/CATV 2** input. Connect the **DSS/CATV 2** to a satellite receiver or cable TV tuner input.

### PHONE / DATA CONNECTIONS

The Tributaries T100 is designed with two (2) standard RJ45 data jacks and (1) standard RJ11 telephone jack. The RJ45 IN jack can be connected to an incoming phone line or data line. The OUT jacks consist on (1) RJ45 jack and (1) RJ11 jack.

If an incoming phone line is connected to the IN jack, you may connect the OUT jacks to either 1 or 2 devices with RJ11 input jacks. If the IN jack is connected to an incoming data line, using an RJ45 plug, you may connect the RJ45 OUT jack to a device with an RJ45 input jack.

### TRIGGER CONNECTIONS

The TRIGGER IN provides a connection for one component that has a 3-12 volt DC trigger output to instruct the Tributaries T100 to turn-on. Simply connect a Tributaries Trigger Cable, or equivalent, from the trigger output of the component in the system that will be the source of the triggering signal to TRIGGER IN of the Tributaries T100. Turning on that component will turn-on the Tributaries T100. Consequently, for the Tributaries T100 to turn-off, simply turn off the trigger component. The Tributaries T100 rear panel also provides a TRIGGER OUT that can be used to connect to another Tributaries T100 Power Manager or to a Tributaries Power Strip permitting turn-on of more components.

Symptom	Possible cause	Solution
T100 will not power up.	The T100 is not receiving power.	<ol style="list-style-type: none"> <li>1. Check that the unit is plugged in.</li> <li>2. Check the outlet for power.</li> </ol>
	Circuit breaker is tripped.	<ol style="list-style-type: none"> <li>1. Reset the circuit breaker on the front panel.</li> <li>2. If the Breaker continues to trip, try moving one or more units to another Power Manager, you may be drawing too much current.</li> </ol>
Triggers will not power up unit.	There is no power to the trigger.	<ol style="list-style-type: none"> <li>1. Check the trigger input cable. It must be connected to the trigger input on the rear panel.</li> <li>2. Ensure the trigger cable you are using is terminated with a 3.5mm mono plug.</li> <li>3. Trigger voltage is incorrect (below 3 volts or over 30 volts). Check the trigger source to be sure the signal is between 3-30 volts DC.</li> </ol>
PROTECTED light goes out.	Indicates the internal surge protection is inoperative. This happens when the T100 receives multiple over voltage surges and sacrifices itself to protect your electronics.	<ol style="list-style-type: none"> <li>1. DO NOT OPERATE the T100 if the PROTECTED light is out.</li> <li>2. Disconnect your electronics from the T100.</li> <li>3. Contact your Tributaries dealer for service.</li> </ol>
The POLARITY FAULT light turns on.	This indicates that the wall outlet the T100 is plugged into has it's polarity inverted.	<ol style="list-style-type: none"> <li>1. Do not operate the T100 with the POLARITY FAULT light illuminated.</li> <li>2. Call an electrician to have the line repaired.</li> </ol>
There is no picture on your TV.	Signal cables are not connected correctly.	<ol style="list-style-type: none"> <li>1. Check that the cables are properly connected to the input and output of the DSS/CATV connectors on the back of the T100.</li> <li>2. Check all connections from each source to the TV to ensure they are all properly connected.</li> </ol>
There is a audible "thump", "click" or "pop" coming from your speakers during power up.	While annoying, this is not an unusual occurrence. It can happen when a preamplifier or power amp is being turned on.	<ol style="list-style-type: none"> <li>1. To minimize or eliminate "thumps", "clicks" or "pops", connect the power amplifier(s) or receiver to the delayed outlets.</li> </ol>

<b>AC OUTLETS</b>	
Line voltage	120VAC 15A, 50/60 Hz
Clamping Voltage	400 Volts
Response Time	Instantaneous (<1ns)
Surge Current	400 Amperes
Protection Modes	L-N, N-G, L-G
Energy Dissipation	4320 Joules
Maximum Spike Current	288,000A
Maximum Spike Voltage	6000V
UL®/cUL® Certifications	UL1449, UL1363, UL61010-1, UL60950, & UL1283
RoHS (Restriction of Hazardous Substances)	Yes
Power Cord	15A/14AWG Shielded/45°/3- Prong Plug
<b>COAX CIRCUITS</b>	
Clamping Voltage	75 Volts
Insertion Loss	<0.1dB
Surge Arrestor	Gas Tube
RF Bandwidth	2.2GHz
<b>TELEPHONE/DATA CIRCUIT</b>	
Let Through Voltage	<40V
Input Connector Data/Phone	RJ45
Output Connectors	RJ45 (Data) / RJ11 (Phone)
<b>TRIGGER CIRCUIT</b>	
Trigger Inputs	3-30VDC
Trigger Output	12VDC
Connections	3.5mm jacks
<b>PHYSICAL</b>	
Net Weight	8 lbs 2oz (3.7kg)
Width	17" (43cm)
Height (including feet)	2 1/8" (5.4cm)
Depth	9 1/8" (23cm)

## THREE YEAR LIMITED WARRANTY

### Scope and Duration of Warranty

Subject to the terms and conditions stated below, Gordon J. Gow Technologies, Inc. d.b.a. Tributaries® ("Tributaries") warrants that this Product shall be free from defects in workmanship or material for a term of (3) years from the date when it was purchased from an Authorized Tributaries Dealer. This Warranty only applies to Products purchased in the United States and used in the United States. Products purchased or used outside the United States are not covered by this Warranty. Warranties, if any, applicable outside the United States are the sole responsibility of the Products' distributor in the country of purchase.

### What Tributaries Will Do Under the Warranty

**Part A. Product Warranty Coverage:** In the event of any defect covered by this warranty, Tributaries shall without charge provide all parts, materials, and labor necessary to restore the Product to its original specifications, and shall return the Product to its owner at Tributaries' expense. In the alternative, Tributaries may at its sole option either replace the Product without charge, or if its replacement is not commercially practicable or repair or replacement cannot be accomplished within a reasonable time, Tributaries may refund the purchase price of the Product, subject, where appropriate, to reasonable depreciation for use in accordance with applicable laws, in full satisfaction of its warranty obligations. Tributaries will undertake to complete the repair and return of the Product as soon as circumstances permits, unless prevented by causes beyond its reasonable control.

**Part B. Connected Equipment Coverage:** In the event that qualified electronic equipment that was properly connected to the Product ("Connected Equipment") sustains damage due to a Product failure resulting from defective workmanship or materials during the course of the Product's approved usage within three (3) years after purchase of the Product from an Authorized Tributaries Dealer, Tributaries will at its option repair, replace, or reimburse the owner for the fair market value of, the damaged Connected Equipment, up to a maximum cumulative total liability of \$25,000.00 for all damaged Connected Equipment. "Qualified electronic equipment" means that all equipment connected to the Product at the time of failure causing damage must have been (i) consumer electronic equipment intended for personal and not commercial or industrial use, and designed for use with the type and level of electricity supplied through the mains to which connected; and (ii) the individual and collective voltage and current requirements for all Connected Equipment did not exceed the published specifications of the Product; and (iii) that all Connected Equipment was being used as intended at the time of damage. "Properly connected to the Product" means that all Connected Equipment at the time of the failure, whether or not damaged, must have been directly plugged into the Product without the use of any extension cord, adapter plug, surge protector, or other device between the Product and the Connected Equipment. The "Product's approved usage" means that at the time of failure causing damage the Product was (i) directly connected to a properly installed grounded three-prong electrical outlet meeting all applicable Code requirements, without the use of any extension cord, adapter plug, surge protector, or other device between the Product and the outlet; and (ii) the Connected Equipment was being used in the manner for which it was designed and intended, and was not in violation of any of manufacturer requirements or limitations; and (ii) none of the exclusions set forth below apply.

### LIMITATIONS ON TRIBUTARIES'S OBLIGATIONS UNDER THE WARRANTY

TRIBUTARIES'S SOLE OBLIGATION UNDER PART A OF THIS WARRANTY SHALL BE TO REPAIR OR REPLACE THE PRODUCT, OR AT ITS OPTION REFUND THE PURCHASE PRICE, AND UNDER PART B OF THIS WARRANTY SHALL BE TO REPAIR OR REPLACE THE CONNECTED EQUIPMENT, OR AT TRIBUTARIES'S OPTION REIMBURSE THE OWNER FOR THE FAIR MARKET VALUE THEREOF UP TO A MAXIMUM OF \$25,000, AS PROVIDED FOR HEREINABOVE. TRIBUTARIES DOES NOT WARRANT AGAINST, NOR SHALL IT BE LIABLE FOR, ANY OF THE FOLLOWING: REMOVAL OR INSTALLATION

CHARGES; SHIPPING EXPENSES TO TRIBUTARIES OR ITS AUTHORIZED SERVICE FACILITY; LOSS OF OR DAMAGE TO INFORMATION, PROGRAMMING, DATA, OR MEDIA OF ANY KIND, EVEN IF CONTAINED IN PRODUCTS OR CONNECTED EQUIPMENT THAT ARE THEMSELVES WITHIN THE SCOPE OF THIS WARRANTY; PROPERTY DAMAGE OF ANY KIND (EXCEPTING ONLY DAMAGE TO CONNECTED EQUIPMENT THAT IS WITHIN THE SCOPE OF, AND NOT SUBJECT TO EXCLUSION UNDER, THIS WARRANTY); LOSS OF USE; OR OTHER INCIDENTAL OR CONSEQUENTIAL DAMAGES OR LOSSES OF ANY KIND.

**Note: Some states do not allow exclusion or limitation of consequential damages, so the foregoing exclusion may not apply.**

#### **Exclusions:**

##### **Parts and Occurrences That Are Not Covered by the Warranty**

This Warranty does not cover any of the following: (A) Products' glass panels, cabinetry, trim, or any other appearance items (except) where they are defective at the time of original sale and the Product is delivered for repair within the first thirty (30) days thereafter; (B) batteries, or failure of or damage to the Product caused by batteries; (C) failures arising from catastrophe (including lightning strike), misuse, neglect, or failure to properly connect and operate the Product and/or any Connected Equipment in accordance with its manufacturer's instructions or otherwise than as designed and intended; (D) failures arising from improper installations of the Product or of any Connected Equipment, or incompatibility of components in the system of which the Product is a part, or otherwise arising from other components including Connected Equipment (for example through direct connection between components) and not from defects in the Product's workmanship or materials; (E) failures of any kind in Products (I) which have been purchased from other than an Authorized Tributaries Dealer or any Connected Equipment used with such Products, or (II) which evidence any tampering, alteration, or attempted servicing by anyone other than Tributaries or an Authorized Tributaries Service Facility, or (III) for which a claim has not been filed with Tributaries within the three (3) year Warranty term and within thirty (30) days following the occurrence giving rise to the claim; or (F) loss of or damage to recorded information, programming, or data of any kind, even if contained on Products or Connected Equipment that are themselves within the scope of this Warranty; and Tributaries shall have no liability or obligation of any kind with respect to any of the foregoing types of failures. In addition, Tributaries' coverage for Connected Equipment is expressly secondary to any homeowner's insurance or other insurance covering damage or loss to that Equipment, and Tributaries' liability is limited to the amount by which Connected Equipment losses exceed such insurance coverage (but in no event shall Tributaries' liability be greater than \$25,000 in the aggregate).

##### **What the Owner Must Do to Obtain Service Under This Warranty**

To obtain service under this warranty, the owner must, within thirty (30) days following the occurrence giving rise to the claim and within the three (3) year term of this warranty, telephone Tributaries at the number shown below, obtain a claim form and return authorization number, and then, at the owner's expense (1) arrange for any necessary de-installation of the Product and any Connected Equipment for which a claim is made, and (II) deliver or ship the Product, properly packaged in its original container (or, if unavailable then in a replacement container which Tributaries will furnish to the owner at a nominal cost), with the RMA number on the shipping container, prepaid, and insured, to Tributaries at the address below, or to an Authorized Tributaries Service Facility if so directed by Tributaries. In addition, the owner must fully complete the claim form and must provide evidence that the Product is at the time of delivery within the scope of this Warranty, by either having completed and submitted to Tributaries on a timely basis the Warranty Registration Card, if one is included with the Product, or by including the original or a legible copy of the dated sales receipt with the Product when submitted for repair. If requested by Tributaries, the owner must also deliver or ship to Tributaries any Connected Equipment for which a claim is made, and must otherwise cooperate with Tributaries in investigating and processing the claim. All Products and Connected Equipment must also be accompanied by the owner's name, address, and telephone number.

**What the Owner Must Pay For**

As noted above, the owner must arrange and pay any expense for removing the Product and any Connected Equipment from their installation and delivering or shipping them to Tributaries or the Authorized Tributaries Service Facility, to the extent requested by Tributaries. Upon return of the Product and any Connected Equipment to the owner following repair or replacement, it shall be the owner's responsibility to arrange and pay for any reinstallation and reprogramming which may be required. In addition, it shall be the owner's obligation to pay for any repairs made to Products for which the owner has neither completed and submitted (where one is included) the warranty Registration Card at the time of purchase nor include a legible copy or the original of the dated sales receipt with the Product when delivered for service, or which are otherwise subject to the exclusions noted above, at Tributaries' or its Authorized Service Facility's then current repair rates. Any Product or Connected Equipment found to be outside the scope of this Warranty due to an applicable exclusion shall be returned to the owner at the owner's expense.

**How to Learn Where the Nearest Authorized Tributaries Service Facility is, or Obtain Answers to Other Questions Concerning This Warranty**

In order to learn the name and address of the nearest Authorized Tributaries Service Facility, obtain instructions for shipment of a covered Product to Tributaries, or obtain the answers to any other questions you may have concerning this Warranty, you may telephone Tributaries between the hours of 9:00a.m. and 5:00p.m. Eastern Time, Monday through Friday, at 1.888.554.2514, or write to Service Department, Tributaries, 6448 Pinecastle Blvd; Suite 101, Orlando, FL 32809, (Fax 1.800.553.1366).

**This Warranty gives you specific legal rights, and you may also have other rights which vary from state to state.**

**To register your warranty log onto [www.tributariescable.com/warrantyregistration](http://www.tributariescable.com/warrantyregistration) and click on Register Here**

# T100 POWER MANAGER

## ¡FELICITACIONES!

Gracias por comprar el TRIBUTARIES® T100 Power Manager. El Tributaries T100 es uno de los más avanzados y completos sistemas de administración de energía disponibles. Con el T100 integrado en su sistema hogareño de entretenimiento, puede estar seguro de que sus componentes de audio/video tienen una fuente de energía limpia y libre de ruidos y distorsiones que degradan la señal. Utilizando lo último en tecnología de supresión de aumentos repentinos su equipamiento estará protegido contra púas perjudiciales y aumentos dañinos, así como contra condiciones de sobre voltaje y bajo voltaje.

En apoyo a la protección ambiental, el T100 cumple con las normas RoHS. La Directiva RoHS significa "la restricción en el uso de plomo, cadmio, mercurio, cromo hexavalente, los retardadores de fuego bifenilo polibrominado (PBB) y éter difenilo polibrominado (PBDE), ciertas sustancias peligrosas en equipamientos eléctricos y electrónicos". El T100 también cumple con la provisión RoHS de California SB 20: Ley de Reciclaje de Desperdicios Electrónicos de 2003.

Además de protección de la energía y mejora en el funcionamiento, el T100 ofrece opciones disparadoras que pueden controlar los procesos de inicio y apagado de su sistema. Con unos pocos pasos simples, su T100 controlará todos sus sistemas hogareños de entretenimiento. Para ayudarlo a lograr mayores mejoras en el sistema, Tributaries ofrece una línea integral de cables y accesorios de audio, video, digitales y parlantes. Proporcionan calidad, funcionamiento y confiabilidad incomparables. Para un Catálogo de Productos gratis descargable visite nuestro sitio web en [www.tributariescale.com](http://www.tributariescale.com).

## TABLA DE CONTENIDOS

<b>Importantes instrucciones de seguridad.....</b>	<b>2</b>
<b>Vista frontal y trasera.....</b>	<b>4</b>
<b>Introducción y producto.....</b>	<b>5</b>
<b>Características y tecnología.....</b>	<b>5</b>
<b>Vista general de instalación.....</b>	<b>7</b>
<b>Contenidos del paquete .....</b>	<b>7</b>
<b>Planificar su sistema.....</b>	<b>7</b>
<b>Planificar sus conexiones de CA.....</b>	<b>8</b>
<b>Hacer conexiones.....</b>	<b>8</b>
<b>Resolución de problemas.....</b>	<b>9</b>
<b>Especificaciones.....</b>	<b>10</b>
<b>Garantía de 3 años limitada.....</b>	<b>11</b>

## IMPORTANTES INSTRUCCIONES DE SEGURIDAD

### ¡POR FAVOR LEA ESTO PRIMERO!

Su Tributaries T100 Power Manager representa lo último en administración de energía y tecnología de protección. Sin embargo, como cualquier dispositivo electrónico, si se instala inapropiada o incorrectamente puede no funcionar como se intenta. Siguiendo algunas precauciones de sentido común, su producto Power Manager le dará un funcionamiento sin preocupaciones de por vida.

Las siguientes precauciones de seguridad se aplican a este y a todos los productos de Tributaries Power Manager.

#### EXPLICACIÓN DE SÍMBOLOS GRÁFICOS:



El signo de exclamación dentro de un triángulo equilátero intenta alertar al usuario sobre la presencia de importantes instrucciones operativas y de mantenimiento en la literatura que acompaña la unidad.

**ADVERTENCIA: PARA REDUCIR EL RIESGO DE INCENDIO O SHOCK ELÉCTRICO, NO EXPONGA ESTE EQUIPAMIENTO A LA LLUVIA O HUMEDAD.**

**NO CONTIENE PIEZAS REPARABLES. SOLAMENTE PERSONAL ESPECIALIZADO PARA TRABAJOS DE REPARACIÓN.** Para reducir el riesgo de shock eléctrico, no quite la cubierta o la tapa trasera. No contiene piezas reparables.

#### GENERAL

- Por favor lea las instrucciones de seguridad en este manual del propietario antes de manejar el T100.
- Guarde estas instrucciones de seguridad para consultas futuras cuando maneje el T100.
- Haga caso de todas las advertencias contenidas en este manual de manejo y/o impresas en el T100.
- Siga todas las instrucciones.
- **Advertencia:** para reducir el riesgo de incendio o shock eléctrico, no exponga este equipamiento a la lluvia o humedad.
- Precaución: para prevenir shock eléctrico no use este enchufe (polarizado) con una extensión, receptáculo u otro tomacorriente a menos que las clavijas puedan insertarse completamente para prevenir exposición de las clavijas.
- Cuando no se use: Desenchufe el T100 durante tormentas eléctricas o cuando no se use durante largos periodos de tiempo.
- Solo utilice accesorios especificados por Tributaries

#### INSTALACIÓN

- Calor: No coloque el T100 cerca de ninguna fuente de calor como radiadores, registros de calor, hornos, receptores o amplificadores de A/V que producen cantidades considerables de calor.
- Agua y humedad: No use el T100 cerca de agua, como bañeras, lavabos o piscinas.
- Goteras o salpicaduras: El T100 no debe estar expuesto a goteras o salpicaduras y ningún objeto lleno con líquidos, como floreros, debe colocarse sobre el T100.
- Carros y casetas: Cuando el T100 se coloca o se monta en una caseta o un carro, la unidad debe moverse con cuidado. Detenciones bruscas, fuerza excesiva y superficies desiguales pueden causar que la unidad y el carro se den vuelta o se caigan.
- Limpieza: Limpie el T100 solo con un paño seco.
- Ventilación: **Proporcione al menos 2,5 cm. debajo y al menos 7,5 cm. por encima del T100.**

#### ENERGÍA ELÉCTRICA

- Fuentes de energía: El T100 solo debe conectarse a fuentes de energía especificadas en el manual del propietario e indicadas en la unidad.
- Cable de CA: Cuidado que el cable de corriente sea pisado o pinchado particularmente en los enchufes, tomacorrientes y en el punto donde salen del aparato.



- Clavija de tierra: No anule el propósito de seguridad del enchufe polarizado o de tipo tierra.

Un enchufe polarizado tiene dos clavijas con una más ancha que la otra. Un enchufe de tipo tierra tiene dos clavijas y un tercer diente de tierra. La clavija ancha o el tercer diente se proporciona para su seguridad. Si el enchufe provisto no encaja en su tomacorriente, por favor consulte a un electricista calificado para remplazar el tomacorriente obsoleto.

- No sobrecargue los tomacorrientes de la pared, extensiones o tomacorrientes integrales puesto que esto puede resultar en riesgo de incendio o shock eléctrico.
- Para desconectar completamente este equipamiento de la red de CA, desconecte el cable del enchufe del suministro de energía del tomacorriente.

### **ANTENAS DE TECHO Y PARABÓLICAS**

- Si utiliza dispositivos de techo como antenas parabólicas, antenas o cualquier otro componente con cables que se conecta a su Tributaries T100, asegúrese de que el/los cable(s) esté/n apropiadamente en tierra. Use técnicas de tierra especificadas en la Sección 810 del National Electrical Code (NEC), ANSI/NFPA 70 (en Canadá, Parte 1 del Canadian Electrical Code). Esto protege contra aumentos de voltaje y cargas de estática. No coloque ninguna parte de una antena cerca de líneas de energía por encima o de cualquier otro circuito de energía. No toque ninguna línea de energía o circuito. Hacerlo puede causarle severas lesiones físicas y posiblemente resultar en la muerte.

### **CUIDADO DEL EQUIPAMIENTO**

- En general, la única limpieza necesaria para el Tributaries T100 es quitarle el polvo. Desenchufe el componente del toma de la pared antes de limpiarlo. No use ningún tipo de limpiadores líquidos o en aerosol.
- No maneje el Tributaries T100 si líquidos de cualquier tipo se han derramado sobre o dentro de la unidad. No maneje el Tributaries T100 cerca de la lluvia o agua que se haya derramado o esté expuesta (por ejemplo, bañadera, cocina o lavabo).
- Desenchufe el cable del tomacorriente de CA cuando se deje sin usar durante un largo periodo de tiempo.

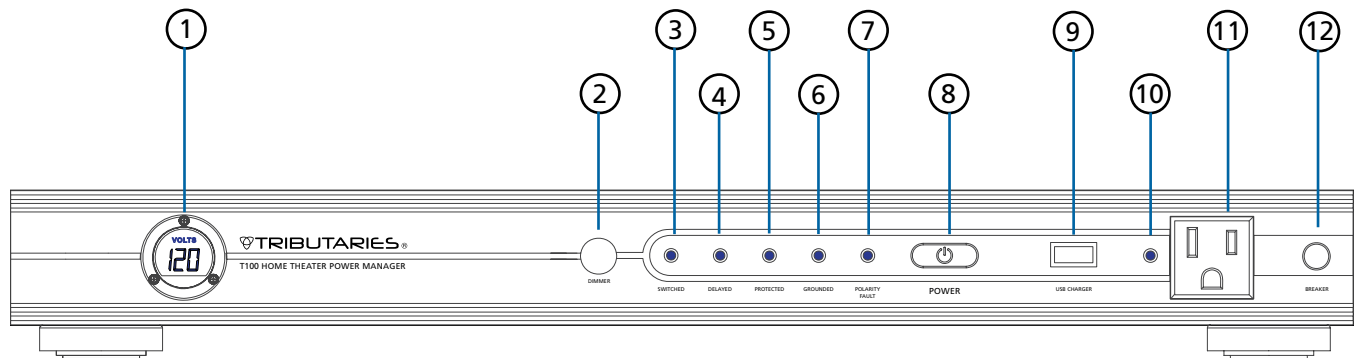
### **REPARACIÓN DEL EQUIPAMIENTO**

- No intente reparar el T100. Haga hacer todas las reparaciones con personal de servicio calificado. Se requiere servicio cuando el T100 se haya dañado de alguna forma, si el cable o enchufe de suministro de energía esté dañado, se haya derramado liquido o hayan caído objetos dentro del T100, el T100 haya estado expuesto a la lluvia o humedad, no funciona normalmente o se haya caído.
- No contiene piezas reparables. Si, por alguna razón, su Tributaries T100 no está funcionando apropiadamente, no quite ninguna pieza de la unidad (tapa, etc.) para repararla. Desenchufe la unidad y consulte este manual del propietario por la garantía y por información de servicio.
- Cuando se necesiten piezas de recambio, asegúrese que el técnico del servicio haya utilizado piezas de recambio especificadas por Tributaries o que tengan las mismas características de las piezas originales. Sustituciones no autorizadas pueden resultar en incendio, shock eléctrico u otros daños.
- Luego de terminado cualquier servicio o reparación en este producto, pida al técnico que realice revisiones de seguridad para determinar que el producto esté en adecuadas condiciones de funcionamiento antes de usarlo.
- Si tiene alguna dificultad para manejar el T100, por favor recurra a la información de garantía contenida en este manual del propietario.
- Por favor lea y observe los siguientes puntos de seguridad en todo momento.

**¡ADVERTENCIA!** Servicio: No hay piezas reparables dentro de un producto Power Manager. Por favor busque un agente de Tributaries autorizado para información sobre servicio y reparación.

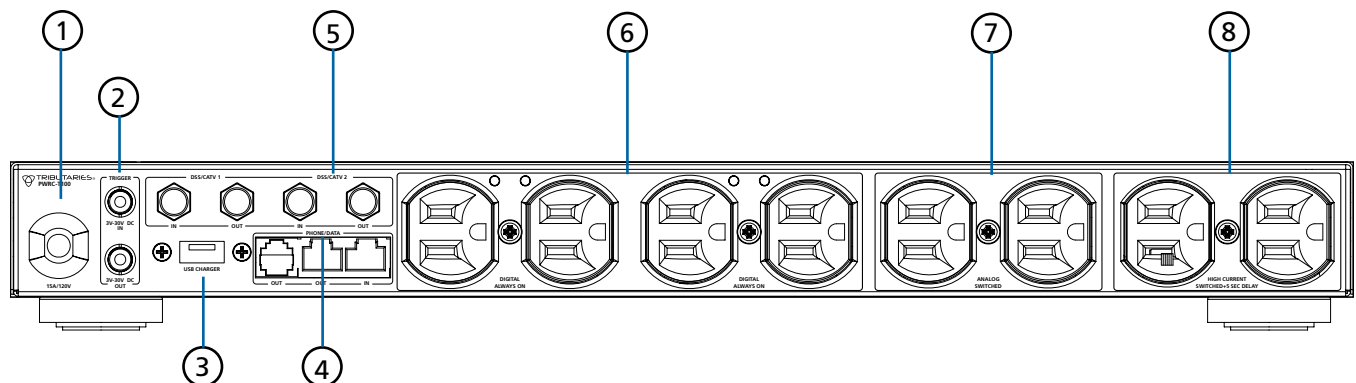
# VISTA FRONTAL Y TRASERO

## T100 PANEL FRONTAL



- |  |   |
|--|---|
| <ol style="list-style-type: none"> <li>1. Voltímetro</li> <li>2. Control de dimmer LED</li> <li>3. LED "CAMBIADO"</li> <li>4. LED "DEMORADO"</li> <li>5. LED "PROTEGIDO"</li> <li>6. LED "EN TIERRA"</li> <li>7. LED "FALLA DE POLARIDAD"</li> </ol> | <ol style="list-style-type: none"> <li>8. Ficha de ENCENDIDO</li> <li>9. Cargador/luz USB</li> <li>10. Indicador LED de Toma de Panel Frontal</li> <li>11. Toma SIEMPRE-ENCENDIDO (Sin condiciones)</li> <li>12. CORTADOR de circuito "SWITCHED" LED</li> </ol> |
|--|---|

## T100 PANEL TRASERO



- |  |  |
|--|--|
| <ol style="list-style-type: none"> <li>1. Cable de energía</li> <li>2. DISPARADOR DENTRO/FUERA</li> <li>3. Cargador/luz USB</li> <li>4. Receptores de TELÉFONO/Datos</li> <li>5. Conectores de DSS/CATV RF DENTRO/FUERA</li> </ol> | <ol style="list-style-type: none"> <li>6. 4 tomas siempre-encendido DIGITALES</li> <li>7. 2 tomas de encendido ANÁLOGOS</li> <li>8. 2 tomas de encendido con demora de 5 segundos de ALTA CORRIENTE</li> </ol> |
|--|--|

ESPAÑOL

## INTRODUCCIÓN Y VISTA GENERAL DEL PRODUCTO

El Tributaries T100 Power Manager está diseñado para sistemas de audio/video & home theater que requieren una única solución de supresión de aumento de voltaje así como también un dispositivo eficaz de filtro de línea, todo a un precio razonable. Con 9 salidas, 8 en el panel trasero y 1 salida en el panel frontal, el T100 proporciona pares de salidas individuales de CA para electrónicos análogos, electrónicos digitales y amplificadores de alta corriente.

El Tributaries T100 también trae 2 salidas USB, una en el panel frontal y una en el panel trasero.

## CARACTERÍSTICAS Y TECNOLOGÍAS

### FILTRO Y ACONDICIONAMIENTO DE LÍNEA DE CA

Tributaries T100 proporciona filtro y acondicionamiento de línea de CA separado para las (2) salidas ANÁLOGAS, (4) DIGITALES y (2) de ALTA CORRIENTE. Esto reduce grandemente el ruido generado por un componente al afectar adversamente a otro.

### SUPRESIÓN DE AUMENTO REPENTINO DE LÍNEA CA

El Tributaries T100 está diseñado con electrónica último modelo de supresión de pico repentino. En el rarísimo caso que este sistema falle, el LED PROTEGIDO en el panel frontal no se iluminará.

### SUPRESIÓN CONTRA PICO REPENTINO DE ENTRADA RF

Se proporciona supresión contra picos de entradas y salidas de RF para Cable TV, Receptores Satelitales y Sistemas de Antena RF. Las entradas de RF tienen el ancho de banda requerido para pasar señales satelitales y de cable o terrestres de TV sin pérdida.

### SUPRESIÓN DE PICO REPENTINO DE LÍNEA TELEFÓNICA / DATOS

También se proporciona supresión de pico repentino para teléfono y/o entrada de datos. Ubicado en el panel trasero, el enchufe RJ45 IN puede conectarse a un enchufe telefónico RJ11 o a un enchufe de datos RJ45. Hay (2) enchufes de SALIDA, (1) RJ45 y (1) RJ11, proporcionando supresión contra picos para (1) línea telefónica de entrada y (2) líneas de salida o (1) líneas de datos de entrada y (1) línea de datos de salida.

### 9 SALIDAS

En el panel trasero, las (4) salidas DIGITALES "siempre-encendido" (2 pares) están principalmente diseñadas para conectar set de Cable TV, receptores satelitales y cualquier dispositivo que está normalmente encendido 24/7. Las (2) salidas ANÁLOGAS "Cambiadas" (1 par) en el panel trasero están diseñadas para equipamiento a/v que no sea controlado por microprocesador o los que están normalmente apagados cuando no se usan. Un par salidas "Cambiadas" de Alta Corriente en el panel trasero con una demora de encendido de 5 segundos se proporciona para amplificadores de potencia, receptores o amplificadores integrados. Hay (1) salida SIEMPRE-ENCENDIDA no filtrada ubicada en el panel frontal.



#### NOTA IMPORTANTE

Diseñado para cualquier dispositivo de 120V CA, la Salida del panel frontal no tiene filtro de línea.

### ÍNDICE DE 1800 WATT / 15 AMPERES

Tributaries T100 Power Manager está diseñado para proporcionar un máximo de 1800W (120V@15A) de potencia limpia, filtrada y protegida contra picos a sus componentes de audio y video.

### PROTECCIÓN de BAJO VOLTAJE y SOBRE VOLTAJE

Los picos de voltaje y "apagones" pueden dañar los componentes electrónicos. Para proteger sus valiosos componentes, el T100 está fabricado con un circuito microprocesador que está diseñado para proteger

contra condiciones de sobre voltaje y bajo voltaje. Si el voltaje entrante excede 135 volts, el T100 cortará automáticamente reiniciando cuando el voltaje baje a 130 volts. Si el voltaje entrante baja a menos de 90 volts, el T100 cortará automáticamente reiniciando cuando el voltaje regrese a 95 volts.

### **CORTA CIRCUITO DEL PANEL FRONTAL**

Si el T100 experimenta una corriente entrante que excede los 15A, el CORTA CIRCUITO del panel frontal desconectará la energía principal. Para reiniciar el CORTA CIRCUITO simplemente presiónelo.

### **SALIDAS USB**

Dos salidas multiuso USB, una en el panel frontal y una en el panel trasero, están diseñadas para cargar teléfonos celulares compatibles, iPods o cualquier otro dispositivo diseñado con un conector USB. También pueden usarse para dar energía a la luz USB incluida. Hecha con un cuello de ganso de 30 cm., la luz USB termina en un conector USB y está encajada en una base magnética moldeada. La luz puede enchufarse en el conector USB frontal o trasero en el T100 y usada para iluminar el frente o la parte trasera de los componentes. La base magnética hace fácil guardar la luz cuando no se usa.

### **DISPARADOR EXTERNO DE ENCENDIDO DE CC**

Esto permite el encendido remoto del T100 Power Manager mediante un componente que proporciona una salida de disparador de 3-12 volts. Un enchufe DISPARADOR de 3,5mm se proporciona así como un enchufe DISPARADOR de 3.5mm para hacer cadena margarita a un segundo Tributaries Power Manager. El DISPARADOR de SALIDA proporciona la capacidad de encender otro producto de potencia que tenga un disparador de entrada.

### **INDICADORES DEL PANEL FRONTAL DEL ESTADO DE SALIDA**

Los LEDs azules están en los paneles frontales y traseros del T100 para indicar el estado y tiempo de las salidas CAMBIADA, DEMORADA, SIEMPRE-ENCENDIDO así como para el estado de la electrónica de supresión de picos (PROTEGIDA) y circuitos de tierra (EN TIERRA). Un LED rojo (FALLA DE POLARIDAD) se iluminará si el cableado del de la salida en la cual está enchufado el T100 tiene fallas (ver debajo).

### **LED de CONTROL DIMMER**

Un LED retráctil de control de DIMMER está ubicado en el panel frontal. Al rotar el control en el sentido del reloj aumenta el brillo del LED y en sentido contrarreloj los disminuye. Por favor notar que para cumplir con los estándares de UL®, los LEDs no se pueden apagar completamente. Para guardar el control, presiónelo hasta que actúe el mecanismo de cierre. Para liberarlo, presiónelo nuevamente.

### **LLAVE DE ENCENDIDO**

Para prevenir el encendido o apagado involuntario, la llave de ENCENDIDO del panel frontal debe ser presionada al menos durante 2 segundos.

### **IDENTIFICACIÓN DE POLARIDAD**

Se proporciona identificación de polaridad para garantizar que la salida de CA en que está enchufado el T100 esté conectada correctamente. Que se ilumine el LED rojo de FALLA de POLARIDAD indica que los cables de salida de CA Blanco y Negro en los cuales está conectado el T100 están invertidos.



**NO HAGA FUNCIONAR SU T100 CON UN PROBLEMA EN LA LÍNEA. SI EL LED ROJO DE FALLA DE POLARIDAD SE ILUMINA, DESCONECTE LA UNIDAD INMEDIATAMENTE. UN ELECTRICISTA CON LICENCIA TENDRÁ QUE REPARAR EL CABLE DEFECTUOSO ANTES DE RECONECTAR EL T100.**

### **Listados de UL®**

Su T100 ha sido probado exhaustivamente por Underwriter's Laboratory (UL®). Esto asegura que el producto sea seguro cuando se maneja según estas instrucciones. El T100 ha sido certificado para:

**UL 1449:** Estándar para Supresores de Picos de Voltaje Transitorios

**UL 1363:** Estándar para Fichas de Energía Re-ubicables

**UL 61010-1:** Requisito general de seguridad para cargadores USB

**UL 60950:** Protección para equipamiento de procesamiento de DATOS (RJ11 & RJ45)  
**UL1283:** Filtros de Interferencia Electromagnética para equipamiento de 50/60Hz

### **VOLTÍMETRO DIGITAL**

Un lector de voltaje digital se proporciona en el panel frontal para indicar el voltaje de la línea de CA entrante. Los LEDs azules del indicador se iluminan cuando la unidad está conectada a una red activa. La iluminación puede cambiarse usando el control del DIMMER del panel frontal.

## **VISTA GENERAL DE INSTALACIÓN**

La siguiente es una vista general para instalar su producto Power Manager.

- Desembale todo el contenido de la caja del T100.
- Planifique su sistema y disponga todo el equipamiento que estará conectado al T100.
- Coloque el T100 en la ubicación en que será usado, asegurándose de seguir tanto las precauciones de seguridad listadas en el frente de este manual y las recomendaciones de colocación en la página 12. NO enchufe la unidad aún.
- Enchufe cada uno de los componentes en el T100. Puede anotar en papel una lista de los componentes que están conectados a cada salida.
- Conecte todos los dispositivos con salidas coaxiales a los conectores-F.
- Conecte la línea de teléfono / datos al enchufe RJ-45 IN.
- Con todos los componentes conectados en la posición OFF, enchufe el T100 en la pared.
- Con el T100 OFF, conecte los cables del disparador remoto (si se aplica).
- Pruebe que el funcionamiento sea adecuado.

## **CONTENIDOS DEL PAQUETE**

- (1) Tributaries T100
- (1) Guía de Instalación & Funcionamiento
- (1) Luz cuello de ganso de 30cm. c/conector USB
- (1) Cable telefónico de 1.80 m.
- (1) Cable de RF de 1.80 m.

## **PLANIFICAR SU SISTEMA**

Piense qué componentes necesitan funcionar juntos, y colóquelos cerca uno de otro. Tome recaudo de aquellos productos que generan más calor y comprenda que el calor excesivo afecta adversamente los componentes. Colóquelos en consecuencia – permitiendo suficiente ventilación. También puede considerar poner los componentes que maneja con más frecuencia en los lugares más convenientes. Las decisiones sobre las opciones del disparador para su T100 dependerán de muchos factores incluyendo el tipo de componentes en el sistema y si se auto-controlan o son parte de un sistema multi-habitación o de toda la casa. Planificando con cuidado la arquitectura del sistema por adelantado, su T100 puede integrarse a cualquier configuración que elija.

Todos los componentes en un sistema deben conectarse a un Power Manager para que el sistema esté protegido de alteraciones eléctricas y lograr máximos beneficios de acondicionamiento de ruidos y línea de CA. Esto incluye cables de energía de CA, conexiones coaxiales y cables de teléfono y/o datos. Dejar de hacer esto degradará el funcionamiento del sistema y lo hará vulnerable a daños eléctricos.

### **UBICACIÓN**

Se recomienda que el T100 se coloque en la misma ubicación que sus otros componentes de audio/video de modo que pueda ser alcanzado fácilmente cuando se maneje manualmente los otros controles en el sistema. Debe haber línea de visión clara entre el operador y la unidad para permitir una fácil observación del estado del sistema. El T100 debe colocarse en un estante o plataforma plana y estable.

## PLANIFICAR SUS CONEXIONES DE CA

### CONECTAR COMPONENTES AL Tributaries T100

En el panel trasero hay (8) salidas de CA. Conecte los cables de energía de sus componentes en las salidas apropiadas en el Tributaries T100. Determine qué componentes estarán "Siempre-Encendido". Generalmente, estos serán componentes que tienen una lectura de reloj como una VCR, Cable TV, Set-Top Box, o Receptor Satelital. Por conveniencia operativa, es aconsejable conectar los enchufes de CA de estos componentes a un toma de CA en el Tributaries T100 que estén en los mismos pares, o adyacentes, de salidas.



Para máxima protección, conecte sus dispositivos analógicos en las salidas ANALÓGICAS, componentes digitales en las salidas DIGITALES y los componentes de alta corriente en las salidas de ALTA CORRIENTE. Por conveniencia, cualquier componente puede conectarse en cualquier salida sin causar daño a los componentes individuales. Sin embargo, puede que no consigan el máximo de filtrado y acondicionamiento.

## HACER CONEXIONES

Todos los componentes en un sistema deben estar conectados a un Power Manager para que el sistema esté protegido de alteraciones eléctricas y lograr máximos beneficios de acondicionamiento de ruidos y línea. Esto incluye cables de energía de CA, conexiones coaxiales y cables de datos y líneas telefónicas usadas con sistemas pago-por-evento. Dejar de hacer esto degradará el funcionamiento del sistema y lo hará vulnerable a daños eléctricos.

### CABLE TV Y/O CONEXIONES DE TV SATELITAL

El Tributaries T100 proporciona dos pares (2pr) de entradas y salidas RF para la protección de cable TV y/o componentes de TV satelital. Ambas entradas proporcionan la misma protección.



Para un funcionamiento óptimo, todos los cables usados para conectar a las entradas de RF del Tributaries T100 deben usar cobertura RG6. Contacte a su Agente Tributaries para más información.

Conecte la línea entrante de cable TV a la entrada DSS/CATV 1. Conecte la salida DSS/CATV 1 a una entrada de cable TV. Conecte el cable de una parabólica a la entrada DSS/CATV 2. Conecte el DSS/CATV 2 a una entrada de receptor satelital o cable TV.

### CONEXIONES DE TELÉFONOS / DATOS

El Tributaries T100 está diseñado con dos (2) enchufes de datos estándar RJ45 y (1) enchufe de teléfono estándar RJ11. El enchufe RJ45 IN puede conectarse a una línea de teléfono o datos entrante. Los enchufes OUT consisten de (1) RJ45 y (1) RJ11.

Si una línea entrante de teléfono se conecta al enchufe IN, se puede conectar los enchufes OUT a 1 o 2 dispositivos con enchufes de entrada RJ11. Si el enchufe IN se conecta a una línea entrante de datos, usando un RJ45, se puede conectar el enchufe RJ45 OUT a un dispositivo con un RJ45 de entrada.

### CONEXIONES DE DISPARADOR

El TRIGGER IN proporciona una conexión para un componente que tiene una salida de disparador de CC de 3-12 volts para ordenar al Tributaries T100 que se encienda. Simplemente conecte un Tributaries DCT 100 Trigger Cable, o su equivalente, desde la salida del disparador del componente en el sistema que será la fuente de la señal disparadora a un TRIGGER IN del Tributaries T100. Al encender ese componente encenderá el Tributaries T100. Consecuentemente, para que se apague el Tributaries T100, simplemente apague el componente disparador. El panel trasero del Tributaries T100 también proporciona un TRIGGER OUT que puede usarse para conectar a otro Tributaries T100 Power Manager o a un Tributaries Power Strip permitiendo el encendido de otros componentes.

## RESOLUCIÓN DE PROBLEMAS

Síntoma	Posible Causa	Solución
T100 no se enciende.	El T100 no está recibiendo energía.	<ol style="list-style-type: none"> <li>1. Verifique que la unidad esté enchufada.</li> <li>2. Verifique que el tomacorriente tenga energía.</li> </ol>
	El corta circuito está activado.	<ol style="list-style-type: none"> <li>1. Reinicie el corta circuito en el panel frontal.</li> <li>2. Si el Corta circuito continúa activándose, pruebe de mover una o más unidades a otro Power Manager, puede que esté usando demasiada corriente.</li> </ol>
Los disparadores no encienden la unidad.	No va energía al disparador.	<ol style="list-style-type: none"> <li>1. Verifique el cable de entrada del disparador. Debe estar conectado a la entrada de disparador en el panel trasero.</li> <li>2. Asegúrese que el cable de disparador que está usando termina en enchufe simple de 3,5mm.</li> <li>3. El voltaje del disparador es incorrecto (debajo de 3 volts o mayor a 30 volts). Verifique la fuente del disparador para asegurarse que la señal esté entre 3-30 volts CC.</li> </ol>
Luz Protegido se apaga.	Indica que la protección interna contra picos repentinos no está operativa. Esto sucede cuando el T100 recibe múltiples picos de sobre voltaje y se sacrifica para proteger sus electrónicos.	<ol style="list-style-type: none"> <li>1. No haga funcionar el T100 si la luz PROTEGIDO está apagada.</li> <li>2. Desconecte sus electrónicos del T100.</li> <li>3. Contacte a su agente Tributaries por reparaciones.</li> </ol>
La luz de Falla de POLARIDAD se enciende.	Esto indica que el toma de la pared en que está enchufado el T100 tiene invertida su POLARIDAD.	<ol style="list-style-type: none"> <li>1. No haga funcionar el T100 con la luz de FALLA de polaridad iluminada.</li> <li>2. Llame a un electricista para que repare la línea.</li> </ol>
No hay imagen en su TV.	Los cables de la señal no están conectados correctamente.	<ol style="list-style-type: none"> <li>1. Verifique que los cables estén conectados adecuadamente en la entrada y salida de los conectores de DSS/CATV en la parte trasera del T100.</li> <li>2. Verifique todas las conexiones desde cada fuente al TV para asegurarse que estén todas conectadas adecuadamente.</li> </ol>
Hay un audible "ruido sordo", "clic" o "pop" proveniente de los parlantes durante el encendido.	Aunque molesto, esto no es un suceso inusual. Puede suceder cuando un preamplificador o amplificador de potencia se enciende.	<ol style="list-style-type: none"> <li>1. Para minimizar o eliminar "ruidos sordos", "clics" o "pops", conecte los amplificadores o receptores de potencia a las salidas con demora.</li> </ol>

## ESPECIFICACIONES TÉCNICAS DEL T100

### LAS SALIDAS DE CA

Voltaje de Línea	120VAC 15A, 50/60 Hz
Voltaje de Abrazadera	400 Volts
Tiempo de Respuesta	Instantáneo (<1ns)
Corriente Pico	400 Amperes
Modos de Protección	L-N, N-G, L-G
Disipación de Energía	4320 Joules
Máximo Tope de Corriente	288,000A
Máximo Tope de Voltaje	6000V
Certificaciones UL®/cUL®	UL1449, UL1363, UL61010-1, UL60950, & UL1283
RoHS (Restricción de Sustancias Peligrosas)	Si
Cable de Energía	15A/14AWG Cubierto/45°/3-Diente de enchufe

### CIRCUITOS COAXIALES

Voltaje de Abrazadera	75 Volts
Pérdida de Inserción	<0.1dB
Filtro de Pico	Tubo de Gas
Ancho de Banda de RF	2.2GHz

### CIRCUITO DE TELÉFONO/DATOS

Voltaje de Pasada	<40V
Conector de Entrada Datos/Teléfono	RJ45
Conectores de Salida	RJ45 (Datos) / RJ11 (Teléfono)

### CIRCUITO DISPARADOR

Entradas del Disparador	3-30V CC
Salida del Disparador	12V CC
Conexiones	Enchufes de 3.5 mm

### FÍSICAS

Peso Neto	8 lbs 2oz (3.7kg)
Ancho	17" (43cm)
Altura (incluyendo pies)	2 1/8" (5.4cm)
Profundidad	9 1/8" (23cm)



## GARANTÍA DE TRES AÑOS LIMITADA

### Alcance y Duración de la garantía

Sujeto a los términos y condiciones enunciados debajo, Gordon J. Gow Technologies, Inc. d.b.a. Tributaries® ("Tributaries") garantiza que este Producto estará libre de defectos de fabricación o materiales por un término de tres (3) años desde la fecha en que se compre a través de un Agente Autorizado de Tributaries. Esta Garantía solamente se aplica a los Productos comprados en los Estados Unidos y usados en los Estados Unidos. Los Productos comprados o usados fuera de los Estados Unidos no están cubiertos por esta Garantía. Si hubiera Garantías aplicables fuera de los Estados Unidos, estas son de única y entera responsabilidad del distribuidor de los Productos en el país en que se compren.

### Qué hará Tributaries bajo esta Garantía

**Parte A.** Cobertura de la Garantía del Producto: En caso de algún defecto cubierto por esta garantía, Tributaries proporcionará sin cargo todas las piezas, materiales y trabajo necesarios para devolver el Producto a sus especificaciones originales, y regresará el Producto a su propietario a costa de Tributaries. Como alternativa, Tributaries puede a su sola opción reemplazar el Producto sin cargo, o si su reemplazo no es comercialmente practicable o la reparación o reemplazo no se pueden cumplir dentro de un tiempo razonable, Tributaries puede devolver el precio de compra del Producto, sujeto, donde sea adecuado, a una depreciación razonable por uso de acuerdo con las leyes aplicables, en completa satisfacción de sus obligaciones de garantía. Tributaries se compromete a completar la reparación y devolución del Producto tan pronto como permitan las circunstancias, a menos que lo impidan causas ajenas a su control razonable.

**Parte B.** Cobertura del Equipamiento Conectado: En caso de que equipamiento electrónico calificado que estaba conectado adecuadamente al Producto ("Equipamiento Conectado") sufra daños debido a una falla del Producto que resultara de fabricación o materiales defectuosos durante el curso del uso aprobado del Producto dentro de los tres (3) años después de la compra del Producto a través de un Agente Autorizado Tributaries, Tributaries a su opción reparará, reemplazará o reembolsará al propietario por un valor justo de mercado del Equipamiento Conectado dañado, hasta una responsabilidad máxima acumulativa total de USD 25.000,00 por todo Equipamiento Conectado dañado. "Equipamiento electrónico calificado" significa que todo equipamiento conectado al Producto al momento de que la falla causara daño debe haber sido (i) equipamiento electrónico de consumidor previsto para uso personal y no comercial o industrial, y diseñado para uso con el tipo y nivel de electricidad suministrada por la red a la cual se conecta; y (ii) el voltaje individual y colectivo y requisitos de corriente para todo Equipamiento Conectado no excediera las especificaciones publicadas del Producto; y (iii) que todo Equipamiento Conectado estuviera siendo usado según lo previsto en el momento del daño. "Conectado adecuadamente al Producto" significa que todo Equipamiento Conectado al momento de la falla, dañado o no, tiene que haber estado directamente enchufado en el Producto sin el uso de ninguna extensión, enchufe adaptador, protector de picos repentinos u otro dispositivo entre el Producto y el Equipamiento Conectado. El "Uso aprobado del Producto" significa que al momento de la falla que causara el daño el Producto estaba (i) directamente conectado a un tomacorriente eléctrico de tres patas a tierra instalado adecuadamente que cumpla con todos los requisitos aplicables del Código, sin uso de extensiones, enchufe adaptador, protector de picos repentinos u otro dispositivo entre el Producto y el tomacorriente; y (ii) el Equipamiento Conectado estaba siendo usado de la manera para la que fue diseñado y previsto, y no estaba violando ningún requisito o limitación del fabricante; y (iii) ninguna de las exclusiones enunciadas debajo se aplican.

### LIMITACIONES EN LAS OBLIGACIONES DE TRIBUTARIES BAJO LA GARANTÍA

LA ÚNICA OBLIGACIÓN DE TRIBUTARIES BAJO LA PARTE A DE ESTA GARANTÍA SERÁ REPARAR O REEMPLAZAR EL PRODUCTO O A SU OPCIÓN REEMBOLSAR EL PRECIO DE COMPRA, Y BAJO LA PARTE B DE ESTA GARANTÍA SERÁ REPARAR O REEMPLAZAR EL EQUIPAMIENTO CONECTADO, O A OPCIÓN DE TRIBUTARIES REEMBOLSAR AL PROPIETARIO POR VALOR JUSTO DE MERCADO DEL MISMO HASTA UN MÁXIMO DE USD 25.000 COMO SE PROVEE ARRIBA MENCIONADO. TRIBUTARIES NO GARANTIZA CONTRA, NI SERÁ RESPONSABLE DE, CUALQUIERA DE LO SIGUIENTE: CARGOS DE EXTRACCIÓN O INSTALACIÓN; GASTOS DE ENVÍO A TRIBUTARIES O A SU INSTALACIÓN DE SERVICIO AUTORIZADO; PÉRDIDA O DAÑOS DE INFORMACIÓN, PROGRAMACIÓN, DATOS O MEDIOS DE CUALQUIER TIPO, AUN CUANDO ESTUVIERA CONTENIDO EN LOS PRODUCTOS O EQUIPAMIENTO CONECTADO QUE ESTÉN DENTRO DEL ALCANCE DE ESTA GARANTÍA; DAÑOS DE PROPIEDAD DE CUALQUIER TIPO (EXCEPTUANDO SOLO DAÑOS A EQUIPAMIENTO CONECTADO QUE ESTÉ DENTRO DEL ALCANCE, Y NO SUJETO A EXCLUSIÓN BAJO ESTA GARANTÍA); PÉRDIDA DE USO; U OTROS DAÑOS O PÉRDIDAS INCIDENTALES O A CONSECUENCIA DE CUALQUIER TIPO.

**Nota:** Algunos estados no permiten exclusión o limitación de daños a consecuencia, de modo que la precedente exclusión puede no aplicar.

### Exclusiones:

#### Partes y Ocurrencia que no están cubiertas por la Garantía

Esta Garantía no cubre nada de lo siguiente: (A) Paneles de cristal del Producto, muebles, terminaciones o cualquier otro elemento de apariencia (excepto) donde estén defectuosos al momento de la venta original y el Producto se entrega para reparación dentro de los primeros treinta (30) días después; (B) baterías, o falla de o daño al Producto causados por baterías; (C) fallas que surjan por catástrofe (incluyendo rayos), mal uso, negligencia o falla en conectar

y manejar correctamente el Producto y/o cualquier Equipamiento Conectado de acuerdo con las instrucciones de su fabricante o de otra forma según fue diseñado y previsto; (D) fallas que surjan de instalaciones inapropiadas del Producto o de cualquier Equipamiento Conectado, o incompatibilidad de componentes en el sistema del cual el Producto sea parte o de otra forma que surjan de otros componentes incluyendo Equipamiento Conectado (por ejemplo por conexión directa entre componentes) y no por defectos en la fabricación o materiales del Producto; (E) fallas de cualquier tipo en los Productos (I) que hayan sido compradas no a través de un Agente Autorizado de Tributaries o cualquier Equipamiento Conectado usado con tales Productos, o (II) que evidencien interferencia, alteración o intento de reparación por alguien más que Tributaries o una Instalación de Servicio Autorizado de Tributaries, o (III) para el cual no se ha llenado un reclamo con Tributaries dentro de los tres (3) años del término de la Garantía y dentro de los treinta (30) días que sigan al suceso que da lugar al reclamo; o (F) pérdida o daño de información guardada, programación o datos de cualquier tipo, aun cuando esté contenido en los Productos o Equipamiento Conectado que estén dentro del alcance de esta Garantía; y Tributaries no tendrá ninguna responsabilidad u obligación de ningún tipo con respecto a ninguno de los precedentes tipos de fallas. Además, la cobertura de Tributaries para Equipamiento Conectado es expresamente secundario a cualquier seguro del dueño de casa u otro seguro que cubriera daños o pérdidas en ese Equipamiento, y la responsabilidad de Tributaries está limitada a la cantidad por la cual las pérdidas de Equipamiento Conectado excedan tal cobertura de seguro (pero en ningún caso la responsabilidad de Tributaries será mayor a USD 25.000 como agredado).

#### **Qué debe hacer el Propietario para obtener servicio bajo esta Garantía**

Para obtener servicio bajo esta garantía, el propietario debe, dentro de los treinta (30) días siguientes al suceso que da lugar al reclamo y dentro de los tres (3) años de esta garantía, telefonar a Tributaries al número que se muestra debajo, obtener un formulario de reclamo y devolver un número de autorización, y luego, a costa del propietario (1) arreglar por cualquier desinstalación necesaria del Producto y cualquier Equipamiento Conectado para el cual se hace un reclamo, y (II) entrega o enviar el Producto, empaquetado correctamente en su contenedor original (o, si no está disponible entonces en un contenedor de reemplazo que Tributaries proporcionará al propietario a un costo nominal), con el número de RMA en el contenedor de envío, prepago y asegurado, a Tributaries a la dirección debajo, o a una Instalación de Servicio Autorizado de Tributaries si así lo indicara Tributaries. Además, el propietario debe completar por entero el formulario de reclamo y debe proporcionar evidencia de que el Producto está al momento de entrega dentro del alcance de esta Garantía, ya sea habiendo completado y entregado a Tributaries en tiempo y forma la Tarjeta de Registro de Garantía, si se incluye una con el Producto, o incluyendo la copia original o legible del recibo de venta fechado con el Producto cuando se lo entregó para reparación. Si lo requiere Tributaries, el propietario también debe entregar o enviar a Tributaries cualquier Equipamiento Conectado para el cual se hace el reclamo, y debe igualmente cooperar con Tributaries a investigar y procesar el reclamo. Todos los Productos y Equipamiento Conectado también debe ir acompañado por el nombre, dirección y número de teléfono del propietario.

#### **Qué debe pagar el Propietario**

Como se menciona arriba, el propietario debe arreglar y pagar cualquier gasto para quitar el Producto y cualquier Equipamiento Conectado de su instalación y entrega y envío a Tributaries o a la Instalación de Servicio Autorizado de Tributaries, hasta don lo requiera Tributaries. Contra devolución del Producto y cualquier Equipamiento Conectado al propietario luego de la reparación o reemplazo, será responsabilidad del propietario arreglar y pagar por cualquier reinstalación y reprogramación que sea requerida. Además, será obligación del propietario pagar por cualquier reparación hecha a Productos para los que el propietario no ha completado ni entregado (donde se incluya) la Tarjeta de Registro de Garantía al momento de compra ni incluya un copia legible o el original del recibo de venta fechado con el Producto cuando lo entrega para reparación, o que estén de otro modo sujeto a las exclusiones arriba mencionadas, a los índices de reparación entonces actuales de Tributaries o su Instalación de Servicio Autorizado. Cualquier Producto o Equipamiento Conectado que halle fuera del alcance de esta Garantía debido a una exclusión aplicable será devuelto al propietario a costa del mismo.

#### **Cómo saber dónde está la Instalación de Servicio Autorizado de Tributaries más cercana, o obtener respuestas a otras preguntas con respecto a esta Garantía**

Para saber el nombre y la dirección de la Instalación de Servicio Autorizado de Tributaries más cercana, obtener instrucciones para el envío de un Producto cubierto a Tributaries, u obtener las respuestas a cualquier otra pregunta que pueda tener con respecto a esta Garantía, usted puede telefonar a Tributaries entre las 9:00 a.m. y 5:00 p.m. Hora del Este, de Lunes a Viernes, al 1.888.554.2514, o escribir a Service Department, Tributaries, 6448 Pinecastle Blvd; Suite 101, Orlando, FL 32809, (Fax 1.800.553.1366).

**Esta Garantía le otorga derechos legales específicos, y también puede tener otros derechos que varían de Estado a Estado.**

Para registrar su Garantía ingrese a [www.tributariescable.com/warrantyregistration](http://www.tributariescable.com/warrantyregistration) y haga clic en Registrarse aquí.

# T100 POWER MANAGER

## FELICITATIONS!

Merci d'avoir acheté le TRIBUTARIES® T100 Power Manager. Le Tributaries T100 est l'un des systèmes de gestion de puissance le plus avancé. Avec le T100 intégré dans votre système de divertissement à domicile, vous pouvez avoir la confiance que vos composants audio/vidéo ont une source de puissance qui est propre, libre de parasites qui dégradent la qualité du son et de distorsion. En utilisation la technologie pour la suppression des surtensions la plus récente, votre équipement sera protégé des pointes nuisibles et des surtensions qui font du mal, aussi bien dans les conditions de sous voltage que dans de survoltage.

Pour soutenir la protection de l'environnement, le T100 est conforme au RoHS. La directive RoHS représente « des restrictions de l'utilisation de plomb, cadmium, mercure, chrome hexavalent, biphenyle polybrominé (PBB) et diphenyle ether, des retardants de feu, et certaines substances hasardeuses dans l'équipement électrique et électronique. » Le T100 conforme aussi avec les provisions RoHS de Californie SB 20 : Electronic Waste Recycling Act de 2003.

Outre la protection de puissance et l'amélioration de la performance, le T100 offre des options de déclenchement qui peuvent contrôler les processus de démarrage et d'arrêt de votre système. Avec quelques étapes faciles, votre T100 va pouvoir contrôler votre système de divertissement à domicile tout entier. Pour vous aider à accomplir des améliorations du système supplémentaires, Tributaries offre tout une ligne d'accessoires et de câbles audio, vidéo, digitaux et de haut parleur. Ils fournissent une qualité, de la performance et la fiabilité sans pareil. Pour un catalogue de produits librement téléchargeable, veuillez visiter notre site web à [www.tributariescable.com](http://www.tributariescable.com).

## TABLE DES MATIÈRES

Consignes de sécurité importantes.....	2
Vue en avant et en arrière.....	4
Introduction et produit.....	5
Caractéristique et technologie.....	5
Vue d'ensemble d'installation.....	7
Contenu du paquet.....	7
Planifier votre système.....	7
Planifier vos branchements AC.....	8
Faire des branchements.....	8
Dépannage.....	10
Spécification.....	11
Garantie limitée de 3 ans.....	12

## CONSIGNES DE SECURITE IMPORTANTES VEUILLEZ LIRE CECI D'ABORD!

Votre gestion de puissance Tributaries T100 Power Manager représente la dernière mode dans la technologie de protection et la gestion de puissance. Cependant, comme tout autre engin électronique, il peut ne pas fonctionner bien s'il n'est pas d'abord bien installé. En suivant les précautions évidentes, votre produit Power Manager vous donnera une performance libre d'angoisse pour le reste de votre vie.

Les précautions de sécurité suivantes s'appliquent à ce et tous les autres produits Tributaries Power Manager.

### EXPLICATION DU SYMBOLE GRAPHIQUE



Le point d'exclamation à l'intérieur d'un triangle équilatéral vise à alerter l'utilisateur quant à la présence des instructions d'opération et de maintenance importantes dans la littérature qui accompagnent cet appareil.

**AVERTISSEMENT: POUR REDUIRE LE RISQUE D'INCENDIE OU DE CHOC ELECTRIQUE? N'EXPOSEZ PAS CET EQUIPEMENT A LA PLUIE OU A L'HUMIDITE.**

**IL N'Y A PAS DE PIECES A DEPANNER PAR L'UTILISATEUR. REFERER TOUTE LA MAINTENANCE A DES PERSONNES QUALIFIEES. Pour réduire le risque de choc électrique, n'enlevez pas la couverture ou le dos. Il n'y pas de pièces à dépanner par l'utilisateur à l'intérieur.**

### GENERAL

- Veuillez lire les instructions de sécurité dans ce mode d'emploi avant d'opérer le T100.
- Gardez ces instructions de sécurité pour vous y référer dans l'avenir lors de l'opération du T100.
- Faites attention à tous les avertissements contenus dans ce mode d'emploi et/ou imprimé sur le T100.
- Suivez toutes les instructions.
- **Avertissement:** Pour réduire le risque d'incendie ou de choc électrique; n'exposez pas l'équipement à la pluie ou à l'humidité.
- **Caution:** Pour empêcher un choc électrique n'utilisez pas cette prise (polarisée) avec une corde d'extension, un réceptacle ou d'autres sorties à moins que les lames peuvent être insérées jusqu'au bout pour éviter que la lame ne soit exposée.
- Lorsqu'il n'est pas utilisé: Débranchez le T100 pendant des orages ou lorsqu'il n'est pas utilisé pour des périodes de temps importantes.
- N'utilisez que des accessoires spécifiés par Tributaries.

### INSTALLATION

- **Chaleur:** Ne placez pas le T100 près d'une source de chaleur telle que des radiateurs, des registres de chaleur, des réchauds, des récepteurs audiovisuels ou des amplificateurs qui produisent une quantité de chaleur importante.
- **Eau et humidité:** N'utilisez pas le T100 près de l'eau, tel qu'un baignoire, un lavabo ou une piscine.
- **Des égouttements ou des éclaboussures :** Le T100 ne doit pas être exposé aux égouttements ou des éclaboussures et sans qu'il y ait des objets remplis de liquides tels que des vases placés sur le T100.
- **Charrette et pupitre:** Lorsque le T100 est placé ou monté sur un pupitre ou une charrette, l'appareil doit être déplacé doucement. Des arrêts brusques, de la force excessive et des surfaces rugueuses peuvent faire en sorte que la charrette et l'appareil se renversent ou tombent par terre.
- **Nettoyage:** Nettoyez le T100 uniquement avec un tissu sec.
- **Ventilation:** Laissez au T100, au moins 1 pouce au-dessous et au moins 3 pouces au-dessus.

### PUISSANCE ELECTRIQUE

- **Sources de puissance :** Le T100 ne doit être branché qu'aux sources de puissance spécifiées dans le mode d'emploi et marquées sur l'appareil.

- Alimentation AC : Protégez le câble d'alimentation d'être marchée dessus ou d'être pincée, particulièrement aux prises, des receptacles de commodité et l'endroit d'où ils sortent de l'appareil.
- La dent de terre: Ne défaites pas le but de sécurité de la prise du type terre et polarisée.
- Grounding prong: Do not defeat the safety purpose of the polarized or grounding-type plug.

Une prise polarisée a deux lames, l'une plus large que l'autre. Une prise de type terre a deux lames et une troisième lame pour la terre. La lame large ou la troisième dent est fournie pour votre sécurité. Si la prise fournie ne va pas dans votre sortie, veuillez consulter un électricien qualifié pour le remplacement de la sortie datée.

- Ne surchargez pas les sorties murales, des rallonges, ou des réceptacles de commodité intégraux comme cela peut résulter en un risqué d'incendie ou de choc électrique.
- Pour débrancher complètement cet équipement du secteur AC, débranchez le câble d'alimentation du réceptacle AC.

#### **DES ANTENNES SUR LE TOIT ET DES ANTENNES PARABOLIQUES**

- Si vous utilisez des engins de toit tels que des antennes paraboliques, des antennes ou n'importe quel autre composant avec des fils qui se branchent à votre Tributaries T100, pour assurer que le câble est bien terré. Utilisez les techniques de terre spécifiées dans la Section 810 du National Electrical Code (NEC), ANSI/NFPA 70 (au Canada, Part 1 du Canadian Electrical Code). Cela protège contre des surtensions de voltage et des charges parasites. Ne placez aucune partie de l'antenne près des lignes de transmission électrique ou tout autre circuit. En le faisant vous pouvez subir des blessures physiques sévères qui peut mener à la mort.

#### **SOIN D'EQUIPEMENT:**

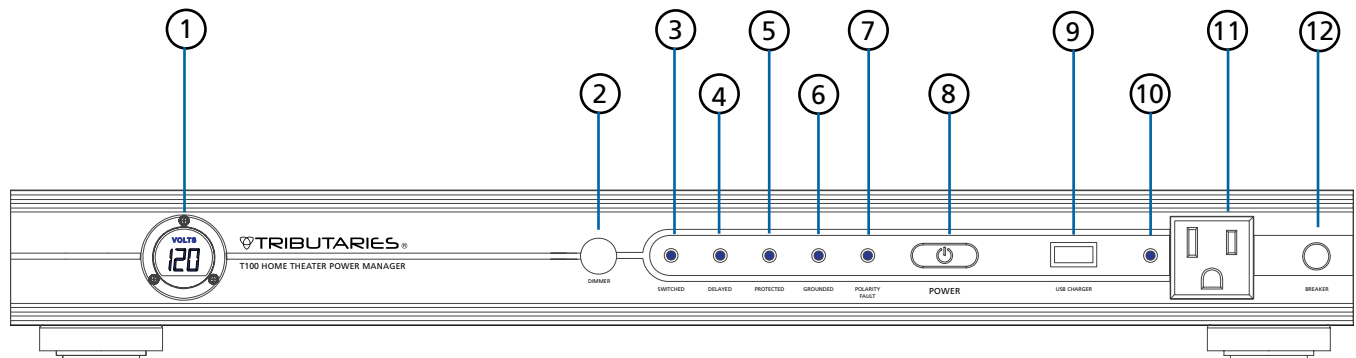
- En general; la seule forme de nettoyage nécessaire pour votre Tributaries T100 est un époussetage léger. Débranchez votre composant de la prise murale avant de le nettoyer. N'utilisez pas de liquides ou des nettoyeurs aérosol.
- N'opérez pas votre Tributaries T100 si des liquides de n'importe quelle sorte a été verse sur ou à l'intérieur de l'appareil. N'opérez pas votre Tributaries T100 près de la pluie ou de l'eau qui a été versé ou ouvertement exposée (par exemple, une baignoire, une cuisine ou un lavabo).
- Débranchez le câble de puissance de la sortie murale AC lorsque celui-là n'est pas utilisé pendant une longue période de temps.

#### **REPARATION DE L'EQUIPEMENT:**

- N'essayez pas de réparer le T100. Référez tout l'entretien à des personnes qualifiées. L'entretien est exigé lorsque le T100 a été endommagé de n'importe quelle manière, telle l'endommagement du câble d'alimentation, ou le versement de liquides ou des objets sont tombés dans le T100, le T100 a été exposé à la pluie ou à l'humidité, ne fonctionne pas bien ou a été laissé tombé.
- Il n'y a pas de pièces qui peuvent être réparées par l'utilisateur : Si, pour une raison ou une autre, votre Tributaries T100 ne fonctionne pas bien; n'enlevez aucune partie de l'équipement (couvercle, etc.) pour réparation. Débranchez l'appareil et consultez le mode d'emploi pour des informations sur la garantie et le service de maintenance.
- Lorsque des pièces de réchange sont exigées, assurez-vous que le technicien a utilisé des pièces spécifiées par Tributaries ou qui ont les mêmes caractéristiques que la pièce d'origine. Des substitutions non-autorisées peuvent résulter en une incendie, des chocs électriques, ou d'autres hasards.
- Après la terminaison d'un service quelconque ou des réparations faites à ce produit; demandez aux techniciens de performer toutes les verifications de sécurité pour déterminer que le produit est en bonne condition d'opération avant de l'utiliser.
- S'il vous est difficile d'opérer le T100, veuillez vous référer à l'information de garantie contenue dans ce mode d'emploi.
- Veuillez lire et observer toujours les points de sécurité suivantes:

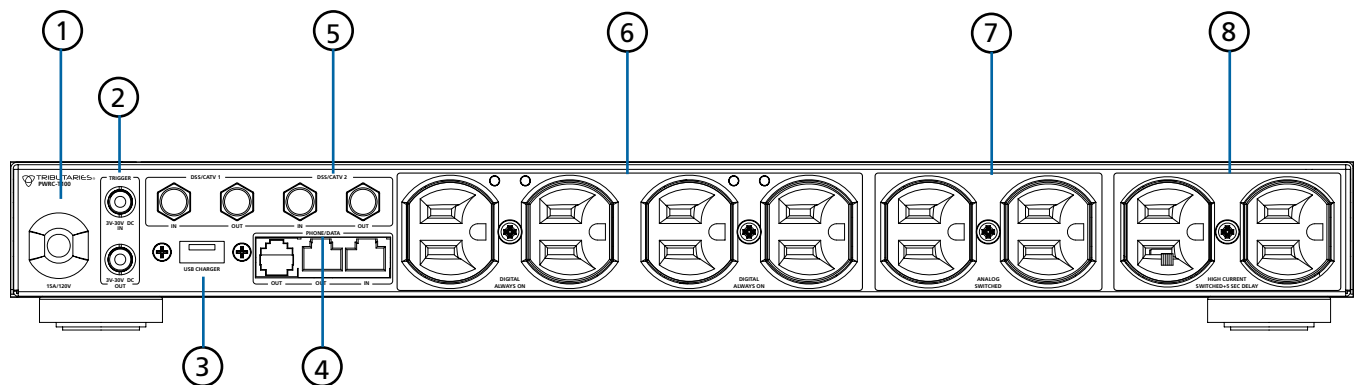
**AVERTISSEMENT!** Maintenance: Il n'y a pas de pièces qui peuvent être réparées par l'utilisateur à l'intérieur du produit Power Manager. Veuillez prendre contact avec un concessionnaire Tributaries autorisé pour des informations sur le service et les réparations.

T100 PANNEAUX AVANT



- |                              |  |
|------------------------------|--|
| 1. Voltmètres                | 8. Interrupteur de PUISSANCE                         |
| 2. Contrôle de gradateur DEL | 9. Réceptacle USB Lumière/Chargeur                   |
| 3. DEL "ALLUMÉE"             | 10. Indicateur DEL pour la sortie du panneau d'avant |
| 4. DEL "RETARDE"             | 11. Sortie TOUJOURS-ALLUMÉE (Pas de conditionnement) |
| 5. DEL "PROTÉGÉ"             | 12. DISJONCTEUR Voltage Meter                        |
| 6. DEL "MISE EN TERRE"       |  |
| 7. DEL "FAUTE DE POLARITE"   |  |

T100 PANNEAUX ARRIERE



- |   |   |
|---|---|
| 1. Alimentation                           | 6. 4 Sorties DIGITALES toujours allumées  |
| 2. DECLENCHEUR ENTREE/SORTIE              | 7. 2 sorties ANALOG toujours allumées   |
| 3. Réceptacle USB Lumière/Chargeur        | 8. 2 Haut Courant toujours allumé avec des sorties au retard de 5 secondes Power Cord |
| 4. Réceptacles TELEPHONE/Données          |   |
| 5. Connecteurs DSS/CATV RF ENTRÉE/ SORTIE |   |

## INTRODUCTION ET VUE D'ENSEMBLE DU PRODUIT

Le Tributaries T100 Power Manager est conçu pour des medias audiovisuelles et des systèmes de theater à domicile exigeant un supprimeur de surtensions à solution simple, aussi bien qu'un engin pour filtrer la ligne, le tout à un coût modéré. Ayant 9 sorties, 8 sur le panneau arrière et une autre de commodité sur le panneau avant, le T100 fournit des paires de sortie AC individuelles pour des électroniques analogues, des électroniques digitales et un amplificateur puissance à haut courant.

Le Tributaries T100 est doté de 2 sorties USB, l'un sur le panneau avant l'autre sur le panneau arrière.

## CARACTERISTIQUES ET TECHNOLOGIES

### FILTRAGE ET CONDITIONNEMENT DE LIGNE AC

Le Tributaries T100 fournit un conditionnement et filtrage de ligne AC pour 2 sorties analogues, 4 sorties digitales et 2 sorties haut courant. Cela diminue de manière significative le bruit engendré par un composant qui peut perturber un autre.

### SUPPRESSION CONTRE SURTENSION DE LIGNE AC

Le Tributaries T100 est conçu avec une suppression électronique de pointe contre la surtension. Dans le cas très exceptionnel où le système échouerait, le DEL PROTEGE sur le panneau avant ne s'illuminera pas.

### SUPPRESSION CONTRE SURTENSION D'ENTRÉE RF

Des entrées et sorties RF pour la télévision par câble, des récepteurs satellite, et des systèmes d'antenne RF supprimées contre la surtension sont fournies. Les entrées RF ont la bande passante qu'il faut pour transmettre des signaux de télévision satellites, par câble ou terrestre, sans perte.

### SUPPRESSION CONTRE LA SURTENSION DANS LE TELEPHONE/LIGNE DE DONNEES

Suppression contre la surtension pour le telephone et/ou ligne de données est aussi disponible. Situé sur le panneau arrière, la prise RJ45 IN peut aussi être branché à une prise téléphonique RJ11 ou une prise de données RJ 45. Il y a 2 prises sorties, un RJ 45 et un RJ11, fournissant la suppression contre la surtension pour une ligne téléphonique d'entrée et 2 lignes téléphoniques de sortie ou une ligne de données entrée et une ligne de données sorties.

### 9 SORTIES

Sur le panneau arrière, 4 sorties (2paires) toujours allumées et digitales sont conçu tout d'abord pour brancher les boitiers décodeurs de la television par cable, des récepteurs satellites et n'importe quel engin qui est normalement alimenté 24/7. Les 2 sorties (un paire) analogues à l'interrupteur sur le panneau arrière sont conçues pour de l'équipement audiovisuelle qui n'est pas contrôlé par un microprocesseur ou celles qui sont normalement éteintes lorsqu'elles ne sont pas utilisées. Une paire de sorties à haut courant sur le panneau arrière avec un retard d'allumage de 5 secondes est fournie pour des amplificateurs de puissance, des récepteurs ou des amplificateurs intégrés. Il y a une sortie non-filtrée toujours allumée qui est située sur le panneau avant.



#### NOTE IMPORTANTE

Conçu pour un engin 120V AC, la sortie de commodité au panneau avant n'a pas de filtrage de ligne.

### 1800 WATT / 15 AMPERE RATING

Tributaries T100 Power Manager est conçu pour fournir un maximum de 1800W (120V@15A) de puissance propre, filtrée et protégée contre des surtensions pour vos composants audio et video.

### PROTECTION CONTRE LA HAUSSE DES TENSIONS ET LA BAISSSE DES TENSIONS

Des surtensions de voltage et des baisses de tension peuvent être endommageant pour des composants

électroniques. Pour protéger vos composants précieux, le T100 est fabriqué avec un circuit de microprocesseur qui vise à vous protéger contre des conditions de hausses de tension et des baisses de tensions. Si le voltage d'entrée excède 135 volts, le T100 s'arrêtera automatiquement et se réinitialisera lorsque le voltage baisse jusqu'à 130 volts. Si le voltage d'entrée baisse sous les 90 volts, le T100 s'arrêtera automatiquement et se réinitialisera lorsque le voltage revient à 95 volts.

### **DISJONCTEUR DE PANNEAU AVANT**

Si le T100 expérimente un courant d'entrée qui excède 15A, le disjoncteur du panneau avant va couper la puissance de secteur. Pour réinitialiser le disjoncteur, poussez-le tout simplement.

### **SORTIES USB**

Deux sorties universelles USB, l'une sur le panneau avant et l'autre sur le panneau arrière, sont conçues pour charger des téléphone cellulaire, des iPod, et n'importe quel autre engin conçu avec un connecteur USB. Elles peuvent aussi être utilisées pour alimenter la lumière USB incluse. Faites avec un tune en U de 12 pouces, la lumière USB se termine par un connecteur USB et est équipée d'une plaque moulée magnétique. La lumière peut être branchée dans le connecteur USB en avant ou arrière sur le T100 et utilisée pour illuminer le devant ou la derrière des composants. La plaque magnétique le rend facile à stocker la lumière lorsque celle-ci n'est pas en usage.

### **DECLENCHEUR D'ALLUMAGE DC EXTERNE**

Cette caractéristique permet d'allumer le T100 Power Manager à distance par un composant qui fournit une sortie de déclencheur 3 à 12volts. Un jack d'amorçage vers l'intérieur de 3.5mm est fourni aussi bien qu'un jack d'amorçage vers l'extérieur pour faire guirlande de pâquerette d'un deuxième Tributaries Power Manager. L'amorçage vers l'extérieur fournit la capacité d'allumer un autre produit de puissance qui a une entrée d'amorçage.

### **DES INDICATEURS DU STATUT SORTIE PANNEAU AVANT**

Les DELs bleus sont fournis sur les panneaux avant et arrière du T100 pour indiquer le statut et l'heure des sorties toujours allumée, retardée, et à l'interrupteur, aussi bien que pour le statut des électroniques de suppression de surtensions (PROTEGEE) et les circuits de terre (TERRE). Un DEL rouge (FAUTE DE POLARITE) s'illuminera si le câblage de la sortie dans laquelle le T100 est branché est défectueux (voir ci-dessous).

### **CONTROLE DE GRADATEUR DU DEL**

Un contrôle de gradateur DEL retractable est situé sur le panneau avant. En faisant tourner dans le sens des aiguilles d'une montre on augmente la luminosité du DEL et en faisant contre le sens des aiguilles d'une montre on diminue la luminosité du DEL. Veuillez noter : pour être en conformité avec des standards UL®, les DELs ne peuvent pas être tout à fait éteints. Pour stocker le contrôle poussez-le jusqu'à ce que le mécanisme de verrouillage s'engage.

### **INTERRUPTEUR DE PUISSANCE**

Pour empêcher un allumage ou une éteinte, l'interrupteur de PUISSANCE sur le panneau avant doit être pressé pour au moins 2 secondes.

### **IDENTIFICATION DE POLARITE**

L'identification de polarité est fournie pour garantir que la sortie AC dans laquelle le T100 est branché est bien câblé. L'illumination du DEL rouge pour la FAUTE DE POLARITE indique que les fils blancs et noirs de la sortie dans laquelle le T100 est branchée sont inversés.



**N'OPEREZ PAS VOTRE T100 AVEC UN PROBLEME DE LIGNE . SI LE DEL ROUGE DE LA FAUTE DE POLARITE NE S'ILLUMINE PAS, DEBRANCHEZ IMMEDIATEMENT L'APPAREIL. VOUS AUREZ BESOIN D'UN ELECTRICIEN AVEC PERMIS POUR REPARER LE CABLAGE DEFECTUEUX AVANT DE REBRANCHER LE T100.**



## Listings UL®

Votre T100 a été testé à l'épuisement par Underwriter's Laboratory (UL®). Cela prouve que le produit est sûr lorsqu'il est opéré selon ces instructions. Le T100 a été certifié pour :

**UL 1449:** Standard pour des Supprimants de surtension du voltage transitoire

**UL 1363:** Standard pour des robinets de puissance remplaçables

**UL 61010-1:** Des exigences de sécurité générales pour le chargeur USB

**UL 60950:** Protection pour l'équipement du traitement des données (RJ11 et RJ45)

**UL1283:** Filtre d'interférence électromagnétique pour des équipements 50/60 Hz.

## VOLTMETRE DIGITAL

Un mètre pour la lecture digitale du voltage est fourni sur le panneau avant pour indiquer le voltage d'une ligne d'entrée AC. Le DEL bleu du mètre s'illumine lorsque l'appareil est branché à un secteur. L'illumination peut être change en utilisant le contrôle de gradateur du panneau avant.

## VUE D'ENSEMBLE D'INSTALLATION

Le suivant est une vue d'ensemble pour installer votre produit Power Manager.

- Déballez le contenu du carton T100.
- Planifier votre système et déposez tout l'équipement qu'il vous faudra et qui sera branché au T100.
- Placez le T100 dans le site où il sera utilisé, étant sûr de suivre et les précautions de sécurité listées dans le devant de ce mode d'emploi et les recommandations du placement à la page 12. **NE BRANCHEZ PAS** l'appareil tout de suite.
- Branchez chacun des composants dans le T100. Vous pouvez aussi vouloir mettre un mot sur papier listant tous les composants qui sont branchés à chaque sortie.
- Branchez tout engin avec des sorties co-axiales au connecteurs-F.
- Attachez la ligne de telephone ou des données au jack RJ45.
- Avec tous les composants attachés dans la position OFF, branchez le T100 au mur.
- Avec le T100 OFF, attachez des câbles de déclenchement à distance (si applicable).
- Test for proper operation.

## CONTENU DU PAQUET

- (1) Tributaries T100
- (1) Guide d'installation et d'opération
- (1) Une lumière micro-directionnelle à 12 pouces avec un connecteur USB.
- (1) 6ft de cable de téléphonnee
- (1) 6ft de cable RF

## PLANIFIER VOTRE SYSTEME

Pensez aux composants qui vont ensemble, et placez-les près les uns des autres. Soyez conscient de ces produits qui engendrent de la chaleur le plus et comprenez que la chaleur excessive va avoir un effet adverse sur vos composants. Placez-les selon ces conditions – en permettant de la ventilation suffisante. Vous pouvez aussi vouloir considérer à mettre des composants qui les plus fréquemment manipulés dans les sites les plus convenables. Des décisions relativement aux options d'amorçage pour votre T100 dépendra de plusieurs facteurs y compris le type de composants dans le système et s'ils sont auto-contrôlés ou font partie d'un système multi-chambre ou maison tout entière. En planifiant l'architecture du système en avance votre T100 peut être intégré dans n'importe quelle configuration que vous voulez.

Tous les composants dans un système doivent être branchés au Power Manager de façon à protéger le système des perturbations électriques et d'avoir des bénéfices du bruit et de ligne AC au maximum. Cela comprend des cables de puissance AC, des connexions coaxiales et des cables de telephone et des données. Sinon, la performance du système sera dégradée et la laissera vulnérable à l'endommagement électrique.

## PLACEMENT

Il est recommandé que le T100 soit placé au même endroit que vos autres composants audio/video pour qu'on puisse facilement les atteindre lorsqu'on opère manuellement les autres composants du système. Il doit y avoir une ligne de visionnement claire entre l'opérateur et l'appareil opéré pour permettre une réaction facile du statut du système. Le T100 doit être placé sur une surface stable et plate ou sur une plateforme.

## PLANIFIER VOS BRANCHEMENTS AC

### BRANCHEZ LES COMPOSANTS AU Tributaries T100

Sur le panneau arrière il y a 8 sorties AC. Branchez les câbles de puissance AC depuis vos composants jusqu'aux sorties appropriées sur le Tributaries T100. Déterminez quels composants seront Toujours Allumés. En général, ceux-ci seront des composants qui ont une lecture de l'horloge tels qu'un VCR, télévision par câble, boîtier décodeur ou récepteur satellite. Pour une opération convenable, il est mieux de brancher des prises AC depuis ces composants au réceptacles AC sur le Tributaries T100 qui sont les mêmes, ou des paires adjacentes, des sorties.



Pour une protection maximum, branchez vos engins analogues aux sorties Analogues, des composants digitaux aux sorties digitales, et des composants à haut courant aux sorties haut courant. Pour la commodité, tout composant peut être branché à n'importe quelle sortie sans nuire aux composants individuels. Néanmoins, on peut ne pas les octroyer filtrage et conditionnement au maximum.

## FAIRE DES BRANCHEMENTS

Tous les composants d'un système doivent être branchés au Power Manager pour que le système puisse être protégé des perturbations électriques pour avoir des bénéfices de filtrage du bruit et de conditionnement de ligne au maximum. Cela comprend des câbles de puissance AC, des connexions coaxiales, des câbles des données et des lignes de téléphone utilisées avec des systèmes paiement à la carte. Si vous ne le faites pas cela dégradera la performance du système et le laissera vulnérable à l'endommagement électrique.

### CONNEXIONS POUR TELEVISION PAR CABLE ET/OU TELEVISION PAR SATELLITE

Le Tributaries T100 fournit deux paires d'entrées et de sorties RF pour la protection des composants de la télévision par câble et/ou télévision par satellite. Les deux entrées fournissent la même protection.



Pour une performance optimale, tous les câbles utilisés pour brancher aux entrées RF du Tributaries T100 doivent être protégés RG6. Prenez contact avec votre concessionnaire Tributaries pour plus d'information.

Branchez la ligne d'entrée de la télévision par câble à l'entrée DSS/CATV 1. Branchez la sortie DSS/CATV 1 à l'entrée du tuner télévision par câble. Branchez le câble depuis l'antenne parabolique à l'entrée DSS/CATV 2. Branchez le DSS/CATV 2 au récepteur satellite ou à l'entrée tuner télévision par câble.

### PHONE / DATA CONNECTIONS

Le Tributaries T100 est conçu avec 2 jacks standardisés RJ45 des données et un jack standardisé RJ 11 de la téléphone. Le jack RJ45IN peut être branché à une ligne d'entrée de téléphone ou des données. Les jacks de sortie comprennent un jack RJ45 et un jack RJ11.

Si une ligne de téléphone entrant est branchée au jack Entrée, vous pouvez brancher les jacks de sortie à l'un ou l'autre engins avec des jacks d'entrée RJ11. Si le jack d'entrée est branché à une ligne entrante des données, utilisant une prise RJ45, vous pouvez brancher le jack de sortie RJ 45 à un engin avec un jack d'entrée RJ 45.

## CONNEXIONS D'AMORCAGE

Le déclencheur d'entrée fournit un branchement pour un composant qui a une sortie déclencheur de 3 à 12 volt DC pour instruire le Tributaries T100 pour allumer. Simplement brancher un Tributaries DCT 100 Trigger Cable, ou l'équivalent, de la sortie déclencheur du composant dans le système qui sera la source du signal de déclenchement au déclencheur d'entrée du Tributaries T100. Allumer ce composant allumera le Tributaries T100. Par conséquent, pour que le Tributaries T100 s'éteigne, éteignez tout simplement le composant du déclenchement. Le panneau arrière Tributaries T100 fournit aussi un déclencheur à sortie qui peut être utilisé pour brancher à un autre Tributaries T100 Power Manager ou à un Tributaries Power Strip permettant l'allumage des autres composants.

Symptôme	Cause Possible	Solution
T100 ne s'allume pas.	Le T100 ne reçoit pas de puissance.	<ol style="list-style-type: none"> <li>Vérifiez que l'appareil est bien branché.</li> <li>Vérifiez la sortie pour la puissance.</li> </ol>
	Le disjoncteur a sauté.	<ol style="list-style-type: none"> <li>Réinitialisez le disjoncteur sur le panneau avant.</li> <li>Si le disjoncteur continue à sauter, essayez de placer l'un ou plusieurs appareils à un autre Power Manager, puisqu'il est possible que vous retiriez trop de puissance.</li> </ol>
Les déclencheurs n'allument pas l'appareil.	Il n'y a pas de puissance pour le déclencheur.	<ol style="list-style-type: none"> <li>Vérifiez le câble d'entrée du déclencheur. Il doit être branché à l'entrée du déclencheur au panneau arrière.</li> <li>Assurez vous que le câble du déclencheur que vous utilisez est terminé par une prise mono à 3.5mm.</li> <li>Le voltage du déclencheur est incorrect (sous 3volts ou plus de 30 volts). Vérifiez la source du déclencheur pour être sûr que le signal est entre 3-30 volts DC. mono plug.</li> </ol>
LA LUMIÈRE PRORÉGÉE S'ÉTEINT.	Indique que la protection de surtensions interne n'opère pas. Cela arrive lorsque le T100 reçoit des surtensions multiples et se sacrifie pour protéger les électroniques.	<ol style="list-style-type: none"> <li>N'opérez pas le T100 sie la lumière PROTEGEE est éteinte.</li> <li>Débranchez votre électronique du T100.</li> <li>Contactez votre concessionnaire Tributaries pour maintenance.</li> </ol>
La lumière indiquant Défaut de Polarité s'allume.	Cela indique que la sortie murale à laquelle le T100 est branchée a une polarité inversée.	<ol style="list-style-type: none"> <li>N'opérez pas le T100 avec la lumière Défaut de Polarité allumée.</li> <li>Appelez un électricien pour réparer la ligne.</li> </ol>
Il n'y a pas d'image sur votre télévision.	Des câbles des signaux ne sont pas bien branchés.	<ol style="list-style-type: none"> <li>Vérifiez que les câbles sont bien branchés à l'entrée et la sortie des connecteurs DSS/ CATV au dos du T100.</li> <li>Vérifiez tous les branchements de chaque source à la télévision pour assurer qu'ils sont bien branchés.</li> </ol>
Il y a un "thump", un "clic" ou un "pop" venant de vos hauts parleurs lorsque vous les allumez.	Bien qu'ennuyant, ce n'est pas une occurrence insolite. Il peut arriver lorsqu'un préamplificateur ou un amplificateur puissance est en train d'être allumé.	<ol style="list-style-type: none"> <li>Pour minimiser ou éliminer ces "thumps", "clics" ou "pops", branchez les amplificateurs de puissance ou un récepteur aux sorties retardées.</li> </ol>

## SPECIFICATION TECHNIQUES T100

### SORTIES AC

Voltage de Ligne	120VAC 15A, 50/60 Hz
Voltage de Cramponnement	400 Volts
Temps de Réponse	Instantané (<1ns)
Courant de Surtension	400 Ampères
Modes de Protection	L-N, N-G, L-G
Dissipation d'Énergie	4320 Joules
Courant de Pointe Maximal	288,000A
Voltage de Pointe Maximal	6000V
Certifications UL®/cUL®	UL1449, UL1363, UL61010-1, UL60950, & UL1283
RoHS (Restriction of Hazardous Substances)	Oui
Câble d'Alimentation	15A/14AWG Protégé/45°/3-Prise Dent

### CIRCUITS COAXE

Voltage de Cramponnement	75 Volts
Perte d'Insertion	<0.1dB
Arrêteur de Surtension	Gas Tube
RF Bandwidth	2.2GHz

### CIRCUIT TELEPHONE ET DONNEES

Voltage de Transit	<40V
Téléphone/ Données du Connecteur d'Entrée	RJ45
Connecteurs de Sortie	RJ45 (Data) / RJ11 (Phone)

### CIRCUIT DECLENCHEUR

Entrée du Déclencheur	3-30VDC
Sortie de Déclencheur	12VDC
Connexions	3.5mm jacks

### PHYSIQUES

Net Weight	8 lbs 2oz (3.7kg)
Width	17" (43cm)
Height (including feet)	2 1/8" (5.4cm)
Depth	9 1/8" (23cm)

## GARANTIE LIMITEE DE 3 ANS

### Portée et Durée de la garantie

Soumis aux termes et conditions énoncées ci-dessous Gordon J. Gow Technologies, Inc. d.b.a. Tributaries ("Tributaries") garantit que ce Produit sera libre des défauts d'artisanat ou du matériel pour une période de (3) ans depuis la date à laquelle il a été acheté d'un Concessionnaire Tributaries Autorisé. Cette garantie ne s'applique qu'aux Produits achetés dans les Etats-Unis et utilisés dans les Etats-Unis. Des Produits achetés ou utilisés en dehors des Etats-Unis ne sont pas couverts par cette Garantie. Des garanties applicables en dehors des Etats-Unis sont la seule responsabilité du concessionnaire du Produit dans le pays d'achat.

### Ce que Tributaries fera sous cette garantie

**Partie A.** Couverture de Garantie du Produit: En cas de défaut couvert par cette garantie, Tributaries fournira; sans charges, toutes les pièces, les matériaux et le travail nécessaire pour rétablir le Produit à ses spécifications d'origine et rendra le Produit au propriétaire aux dépens de Tributaries. Autrement, Tributaries peut, à sa seule discrétion, soit remplacer le produit sans charge, ou, si sont remplacement n'est pas commercialement praticable ou réparer ou le remplacement ne peut pas être accompli dans une période de temps raisonnable, Tributaries peut rembourser le prix d'achat du Produit, soumis où approprié, à une dépréciation raisonnable pour utilisation selon les lois applicables, en pleine satisfaction des obligations de garantie. Tributaries Tributaries entreprendra de terminer la réparation et rendre le Produit aussitôt que les circonstances le permettent, sinon empêché par des facteurs sur lesquels il n'a aucune emprise.

**Partie B.** Couverture de l'équipement branché: Au cas où de l'équipement électronique qui a été bien branché (Equipement branché) subirait un endommagement à cause d'un échec du Produit résultant d'un artisanat défectueux ou des matériaux durant le cours de l'utilisation approuvée du Produit dans 3 ans après l'achat d'un Concessionnaire Tributaries Autorisé, Tributaries; à sa seule discrétion, réparera; remplacera ou remboursera le propriétaire de la valeur de marché équitable de l'équipement branché endommagé jusqu'à une responsabilité cumulative maximale de \$25000.00 pour tout l'équipement branché endommagé. « Equipement électronique qualifié » veut dire que tout l'équipement, branché au produit à l'époque de l'échec qui a provoqué l'endommagement doit avoir été i) de l'équipement électronique commercial vise à l'usage personnel et non pas commercial ou industriel et conçu pour l'utilisation avec le type et le niveau d'électricité fourni à travers le secteur auquel il est branché; et ii) le voltage collectif et individuel et les exigences du courant pour tout l'équipement branché n'ont pas excédées les spécifications publiée du Produit; et iii) que tout l'équipement branché était en train d'être utilisé comme désiré au temps de l'endommagement. « Bien branché au Produit » veut dire que tout l'équipement branché au temps de l'échec, endommagé ou non, doit avoir été directement branché au Produit sans l'utilisation d'une rallonge, prise d'adaptateur, protecteur de surtensions ou d'autres engins entre le Produit et l'équipement branché. L'utilisation approuvée du Produit veut dire qu'au temps de l'échec menant à l'endommagement, le Produit était i) directement branché à une sortie électrique à trois dents satisfaisant à toutes les exigences du Code, sans utilisation d'une rallonge, d'une prise adaptatrice, protecteur contre surtension, ou d'autres engins entre le Produit et la sortie et ii) que l'équipement branché était utilisé de la manière comme il fallait, c'est à dire conforme à sa conception et son usage désigné et n'était pas en violation des limitations ou exigences du fabricant et ii) aucune des exclusions citées ci-dessous s'appliquent.

### LIMITATIONS SUR LES OBLIGATIONS DE TRIBUTARIES SOUS LA GARANTIE

LA SEULE OBLIGATION SOUS LA PARTIE A DE CETTE GARANTIE SERA DE REPARER OU REMPLACER LE PRODUIT OU A SA DISCRETION REMBOURSER LE PRIX D'ACHAT ? ET SOUS LA PARTIE B DE CETTE GARANTIE SERA DE REPARER OU REMPLACER L'EQUIPEMENT BRANCHE, OU A LA DISCRETION DE TRIBUTARIES REMBOURSER LE PROPRIETAIRE DE LA VALEUR DE MARCHE JUSTE JUSQU'A UN MAXIMUM DE \$ 25000, COMME POURVU CI-DESSUS. TRIBUTARIES NE GARANTIT PAS CONTRE, NE SERA RESPONSABLE POUR LE SUIVANT : CHARGES D'INSTALLATION OU D'ENLEVEMENT ; TRANSPORT AU TRIBUTARIES OU A SES CENTRES DE SERVICE AUTORISES ; PERTE OU ENDOMMAGEMENT A L'INFORMATION, PROGRAMMER, DES DONNEES, OU DE LA MEDIA DE N'IMPORTE QUEL SORTE, MEME S'ILS SONT CONTENUS DANS DES PRODUITS OU DANS L'EQUIPEMENT BRANCHE QUI TOMBE DANS LA PORTEE DE CETTE GARANTIE ; ENDOMAMGE A LA PROPRIETE DE N'IMPORTE QUELLE SORTE (SAUF AU CAS D'UN ENDOMMAGEMENT A L'EQUIPEMENT BRANCHEZ QUI DANS LA PORTEE DE CETTE GARANTIE ET N'EST PAS SOUMIS A L'EXCLUSION SOUS CETTE GARANTIE) ; PERTE D'UTILISATION ; DES DOMMAGES INDIRECTS ET ACCESSOIRES OU DES PERTES DE N'IMPORTE QUELLE SORTE .

**A noter: Certains états ne permettent pas l'exclusion et la limitation des dommages indirects de sorte que les exclusions ci-dessus ne vous appliquent pas.**

### Exclusions:

#### Pièces et Occurrences qui ne sont pas couvertes par cette Garantie

Cette garantie ne couvre pas le suivant: A) Les panneaux en verre, la cabinnerie, décoration ou tout autre article d'apparence (sauf) là où ils sont défectueux à l'époque de l'achat d'origine et le produit est livré pour réparation dans les 30 jours suivants; B) des piles ou des échecs et l'endommagement causés par les piles ; C) échecs résultant d'une catastrophe ( y compris des coups d'éclair), mauvaise utilisation, négligence ou l'échec à bien brancher et opérer le Produit et/ou de tout Equipement Branché en conformité avec les instructions du fabricant ou autrement que de la

manière conçue; D) échecs résultant d'une installation incorrecte du Produit ou de tout Equipement branché ou de l'incompatibilité des composants dans le système dont le Produit fait partie, ou autrement relevant des composants y compris de l'équipement branché (par exemple, par la connexion directe entre les composants et non pas des défauts dans l'artisanat du produit ou des matériaux ; E) échecs de toute sorte dans les Produits i) qui n'ont pas été achetés d'un Concessionnaire Tributaries Autorisé ou de l'équipement branché utilisé avec de tels produits, ou ii) qui montrent les effets d'interférence, de modification ou de dépannage par une personne autre que celle représentant qu'une facilité de service autorisé de Tributaries ou de Tributaries, iii) pour lequel une revendication n'a pas été déposée chez Tributaries dans les 3 ans de la période de garantie suivant et dans trente (30) jours suivant l'occurrence donnant lieu à la revendication ; ou F) perte ou endommagement aux informations enregistrées, du programmage, ou des données de n'importe quelle sorte même lorsqu'elles sont continues dans les Produits et l'équipement branché qui tombent eux-mêmes dans la portée de cette garantie et Tributaries n'aura aucune responsabilité ou obligation de n'importe quelle sorte relativement aux échecs du type qu'on vient de mentionner. En outre, la couverture Tributaries pour l'équipement branché est secondaire à l'assurance de propriétaire de maison ou et d'autres formes d'assurance et la responsabilité de Tributaries est limitée au montant par lequel les pertes de l'équipement branché excèdent une telle couverture d'assurance (mais en aucun cas la responsabilité de Tributaries ne sera plus grande que \$25000 dans l'agrégat).

#### **Ce que le propriétaire doit faire pour obtenir le service sous cette garantie**

Pour obtenir le service sous cette garantie, le propriétaire doit dans trente jours suivant l'occurrence qui donne lieu à la revendication et dans la période garantie de 3ans, téléphoner Tributaries au numéro donné ci-dessous, obtenir un formulaire de revendication et un numéro d'autorisation de rendre et puis, aux dépens du propriétaire i) organiser la désinstallation du produit et de l'équipement branché pour lequel la revendication est faite, et ii) livrer ou transporter le Produit, bien emballé dans son conteneur d'origine (ou s'il n'est pas disponible dans un conteneur alternatif que Tributaries fournira au propriétaire à un coût nominal, avec le numéro RMA sur le conteneur de transport, prépayé et assuré, à Tributaries à l'adresse donné ci-dessus ou bien à un centre de service Tributaries autorisé selon la direction de Tributaries. En outre, le propriétaire doit compléter le formulaire de revendication et doit fournir l'évidence que le produit est, à l'époque de livraison, dans la période de garantie dans la portée de cette garantie en ayant complète et soumis à Tributaries, ponctuellement le Warranty Registration Card, s'il a été inclut avec le Produit, ou en incluant l'original ou la copie lisible du récépissé de vente date avec le Produit lorsqu'il est présenté pour réparation. A la demande faite par Tributaries, le propriétaire doit aussi livrer ou transporter à Tributaries tout équipement branché pour lequel une revendication est faite et doit à tout moment coopérer avec Tributaries dans l'investigation et le traitement des revendications. Tous les produits et l'équipement branché doit être accompagnés par le nom du propriétaire, et son adresse numéro de telephone.

#### **Ce pour lequel le propriétaire doit payer**


Comme note ci-dessus, le propriétaire doit arranger et payer toute dépense pour enlèvement du Produit et tout équipement branché depuis leur installation et livrer ou les transporter à Tributaries ou à un center de service Tributaries autorisé, dans la mesure demandé par Tributaries. Lors de la restitution du Produit ou tout équipement branché au propriétaire suivant la réparation ou le remplacement, ce sera la responsabilité du propriétaire d'arranger et de payer pour la réinstallation et le reprogrammage comme il peut être exigé. En outre, ce sera la responsabilité du propriétaire de payer pour toute réparation faite au Produit pour laquelle le propriétaire n'a pas complété ni soumis (là où il en a été fourni un) le Warranty Registration Card au temps d'achat ni n'a inclus une copie lisible ou l'original du récépissé de vente daté avec le produit lorsqu'il est livré pour service ou qui sont autrement soumis à des exclusions signalées ci-dessus, à des tarifs de réparation courants du centre de service autorisé ou chez Tributaries. Tout Produit ou équipement branché qui se trouve en dehors de la portée de cette Garantie à cause d'un exclusion applicable sera rendu au propriétaire à ses propres dépens.

#### **Comment apprendre où est le centre de service Tributaries autorisé le plus proche ou obtenir des réponses à d'autres questions relativement à cette Garantie**

Afin d'apprendre le nom et l'adresse du centre de service Tributaries autorisé le plus proche, obtenir des instructions pour le transport du Produit couvert à Tributaries ou obtenir des réponses à des questions que vous avez relativement à cette Garantie, vous pouvez téléphoner Tributaries entre 9 am à 5 pm Eastern Time, Lundi à Vendredi, à 1.888.554.2514, ou bien écrivez à Service Department, Tributaries, 6448 Pinecastle Blvd; Suite 101, Orlando, FL 32809, (Fax 1.800.553.1366).

**Cette garantie vous donne des droits spécifiques, et vous pouvez avoir d'autres droits qui varieront d'état en état.**

Pour enregistrer votre garantie, ouvrez une session à [www.tributariescable.com/warrantyregistration](http://www.tributariescable.com/warrantyregistration) et cliquez sur Register Here.



©2009 Gordon J. Gow Technologies Inc. All rights reserved. TRIBUTARIES®, is a registered trademarks of Gordon J. Gow Technologies Inc. All other trademarks are the property of their respective owners. As we continually strive to improve our products, TRIBUTARIES® reserves the right to change product specifications without notice. The technical and other information contained herein is not intended to set forth all technical and other specifications of TRIBUTARIES®products. Additional information can be obtained on-line at [www.tributariescable.com](http://www.tributariescable.com).

Gordon J. Gow Technologies Inc.  
Orlando, FL 32809