

PSX

Jumpstarts dead batteries in seconds
Arranca baterías agotadas en segundos

OWNER'S MANUAL
MANUAL DEL PROPIETARIO

CHARGE PRIOR TO INITIAL USE. COMPLETELY RECHARGE AT LEAST ONCE EVERY MONTH.
CARGUE ANTES DEL USO INICIAL. CÁRGUELO COMPLETAMENTE AL MENOS UNA VEZ AL MES.



Model: PSX
Copyright © 2008 Powerstation, LLC
All Rights Reserved

Modelo: PSX
Derechos de autor © 2008 Powerstation, LLC
Todos los derechos reservados

POWERSTATION®

CONTENTS

Warning Information	1-4
Introduction	5
Features	5
Getting to know your PSX	6-7
Operation	8-9
Charging before initial use	8
Standard recharging of the PSX	8
12V DC recharging of the PSX	9
Use of the PSX	9-13
Jumpstarting precautions	9-10
Using the jumpstart	11
Using the integrated work light	12
Using the compressor	12
Inflating a tire or object	12
Inflating other objects	12-13
Operating DC appliances	13
Replacement Parts	13
Notes	29

NOTICE:

If you experience any problems with the PSX, please DO NOT return the unit to the place of purchase. Please call PowerStation's Technical support staff toll free at 1-800-837-5994.

WARNING INFORMATION

This manual contains information regarding safety, operation, maintenance and storage of this product.

Please carefully read and understand this manual before using this product to avoid possible injury or property damage.

Keep this manual for future reference.

RISK OF FIRE, EXPLOSION OR BURNS.



This unit has no user-serviceable parts within the housing. Have a qualified technician complete any service work.



Never allow the jumpstart's red and black cable clamps to touch each other or a common metal conductor. Such contact could cause damage to the unit and/or create a sparking/explosion hazard.



Connect red clamp to the positive (+) battery terminal. The black clamp should be attached to the engine block of stalled vehicle. Do not connect black clamp to the negative (-) battery terminal; doing so could cause damage to the unit and/or create a sparking/explosion hazard.



Do not try to jumpstart a battery for more than six seconds. Before repeating the jump starting cycle, allow the unit to cool for three minutes.



The jumpstarting cable connection has enough energy to cause a spark, create an explosion hazard or cause burns if a metal object contacts both terminals. Do not turn on the jumpstarting function without having cables properly attached to the vehicle's battery.



Do not leave the compressor unattended while operating. The compressor must be allowed to cool for ten minutes following each ten minutes of continuous use.



Do not expose the PSX to temperatures greater than 104°F (40°C). The operational temperature range for the sealed lead acid battery is 5°F to 122°F (-15°C to 50°C) when discharged (or in use) and 32°F to 104°F (0°C to 40°C) when charged and 5°F to 104°F (-15°C to 40°C) during storage.

WARNING INFORMATION continued

RISK OF FIRE, EXPLOSION OR BURNS (continued).



Do not use this unit where there are combustible fumes or gases. Do not use in an enclosure containing automotive-style lead acid batteries.

RISK OF PERSONAL INJURY, DEATH OR DAMAGE TO EQUIPMENT.



ALWAYS wear approved eye protection when using this equipment.



Make sure the jumpstart is safely secured when transporting. If the unit is not properly secured during an accident the unit could hit the driver or passengers.



Do not exceed recommended air pressure of object being inflated.

SHOCK HAZARD.



Keep away from children. Do not insert foreign objects into the DC power socket, ventilation slots, or any opening in the unit. Do not expose the unit to water, snow, spray or excessive moisture.

CAUTION.



Contains a sealed lead acid battery. Keep dry. Do not drop. See owners guide for proper charging procedures. Dispose of battery according to local regulations.



Never attempt to jumpstart a frozen battery. Gradually warm the frozen battery to a minimum of 40°F (4°C) before jumpstarting.



To avoid possible damage and/or a shortening of the unit's working life, protect the unit from direct sunlight, direct heat, and/or moisture.



The jumpstart function is designed to be used only on vehicles or boats with 12V electrical systems.




This unit is not designed to be used in the place of a vehicle battery.



This unit is not designed to be used as a battery charger.

WARNING INFORMATION continued

INSTRUCTIONS FOR JUMPSTARTING AN ENGINE:

 **WARNING** Batteries contain acid and produce explosive gases

Note: Consult the owner's manual for complete instructions. **SHIELD THE EYES AND FACE FROM THE BATTERIES AT ALL TIMES.** Be sure the vent caps are tight and level. Place a damp cloth, if available, over any vent caps on both batteries. Be sure the vehicles do not touch and that both electrical systems are off and at the same voltage. These instructions are for negative ground systems only.

1. Connect the positive (+) cable to the positive (+) terminal of the discharged battery that is wired to the starter or solenoid.
2. Connect the other end of the positive cable to the positive terminal of the booster battery.
3. Connect the black negative (-) cable to the other terminal (negative) of the booster battery.
4. MAKE THE FINAL CONNECTION ON THE ENGINE BLOCK OF THE STALLED VEHICLE (NOT TO THE NEGATIVE POST) AWAY FROM THE BATTERY. STAND BACK.
5. Start the vehicle and remove the cables in the reverse order of connection (the engine block (black) connection is the first to disconnect).

BATTERY BOOSTER CABLE INSTRUCTIONS FOR JUMP STARTING AN ENGINE:

 **WARNING** Batteries contain and produce explosive gases.

These instructions are designed to minimize the explosion hazard. Keep sparks, flames, and cigarettes away from the batteries at all times. Wear safety glasses, and protect the eyes at all times.

Do not lean over the batteries during this operation.

Both the battery to be jumped and the booster source must be the same voltage (6 or 12 V, etc.).

Power sources other than batteries should not exceed 16 V DC for use with the 12 V systems, and 8 V DC for use with a 6 V DC system.

continued

WARNING INFORMATION continued

BATTERY BOOSTER CABLE INSTRUCTIONS FOR JUMP STARTING AN ENGINE (continued):

Position the vehicle with the booster battery, or other power source, adjacent to the vehicle with the discharged battery so that the booster cables can be connected easily between both vehicles. Make certain that the vehicles do not touch each other.

1. Turn off all electrical loads on all vehicles and set the parking brake. Place the automatic transmission in “PARK” (manual transmission in “NEUTRAL”).
2. Determine whether the discharged battery has the negative (-) or the positive (+) terminal connected to the ground. The ground lead is connected to the engine block, the vehicle frame, or some other good metallic ground. The battery terminal is connected to the starter is the one that is not grounded. All vehicles manufactured in the USA after 1955 have the negative battery terminal grounded. All European and Asian passenger vehicles manufactured after 1971 have the negative battery terminal grounded.
3. On a negative ground system, connect the positive (+) cable to the positive (+) terminal of the discharged battery wired to the starter solenoid. Do not allow the positive cable clamps to touch any metal other than the battery positive (+) terminals.
4. Be sure that the vent caps are tight and level on both batteries. Place a damp cloth over any vent caps on each battery making certain it is clear of fan blades, belts, and other moving parts.

INTRODUCTION

Thank you for purchasing the PowerStation PSX. The PSX is a user-friendly & versatile product designed to instantly jumpstart vehicles, provide portable inflation and 12V DC power. The PSX also brings light to any situation with an integrated work light.

The PSX is an ideal companion to accompany all your jumpstarting, inflation and portable power needs.

FEATURES

- High current EHP battery provides 1,000 Amps peak power, 400 Amps starting power.
- Starts cars, trucks, recreational vehicles, and boats without the need of a host vehicle or an AC power source.
- 12V DC power outlet provides power for appliances designed to plug into a vehicle or boat 12V power socket.
- Solid-state, integrated charger allows for re-charging of the PSX battery from any 120V AC power source.
- Sealed, maintenance-free heavy duty battery is safe to use, transport, and store.
- 37 inch (94cm) heavy-duty industrial welding cables and 400 amp clamps for maximum starting power.
- Battery volt meter for quick assessment of PSX internal battery state of charge.
- High-impact molded case provides durability and convenient transport.
- LED work light for roadside repairs or emergency situations.
- High pressure air compressor and adaptors can address a wide range of inflation needs.
- Pressure gauge displays air pressure in PSI.
- “Cables Reversed” indicator lights indicate reverse polarity warning.
- Includes 12V DC power cable and 120V AC charger cable.

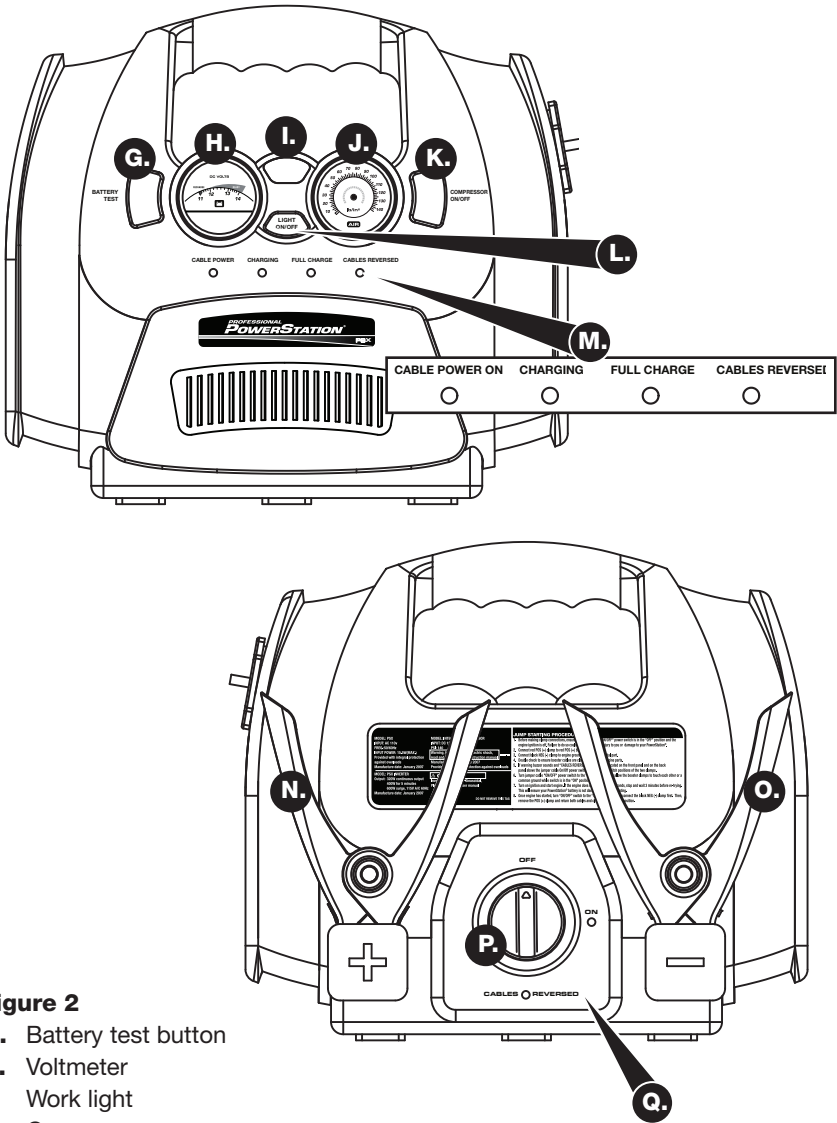


Figure 2

- G.** Battery test button
- H.** Voltmeter
- I.** Work light
- J.** Compressor gauge
- K.** Compressor ON/OFF button
- L.** Work light ON/OFF button
- M.** Indicator lights: cable power on / charging / full charge / cables reversed
- N.** Positive clamp
- O.** Negative clamp
- P.** Jumper cable ON/OFF switch
- Q.** Cables reversed LED indicator light

OPERATION

⚠ CAUTION Read all operating instructions before using your PSX.

This section will guide you through:

- Charging the PSX before initial use
- Standard recharging of the PSX
- Jumpstarting a vehicle
- Using the integrated work light
- Using the compressor
- Operating 12V DC outlet

Charging the PSX before initial use

We recommend charging the PSX on a regular basis. The initial charge could take up to 72 hours.

Note: *If the battery is fully discharged, up to 72 hours may be needed to completely recharge. If you store your PSX for extended periods of time without use, completely recharge at least once every month. The PSX is equipped with a sensor that prevents overcharging.*

⚠ CAUTION Do not use the PSX as a power source while recharging.

Use the following step-by-step guide to recharging your unit.

Standard Recharging of the PSX

We recommend charging the PSX on a regular basis. Even when not in regular use, the PSX should be charged at least once per month to maintain optimum performance.

Charge your PSX after each use.

To recharge the PowerStation internal battery using AC power:

1. Ensure that all elements of the unit are off and that nothing is connected to the 12V DC outlet.
2. Plug the AC charger cable into the AC charger access point on the unit.
At this time the red “Battery Charging” indicator will illuminate.
3. Plug the AC charger cable into a standard wall AC outlet.
4. Allow unit to charge until the red “Battery Charging” indicator turns off and the green “Full Charge” indicator is illuminated.
5. The charge level can be checked by first disconnecting the AC charger cable from the wall outlet and pressing the battery test button.

OPERATION continued

To Recharge using a 12V DC power source: (Do not exceed 2 hours)

Note: Only use the DC charging option when an AC power source is not available.

1. Insert the DC charging cord into the cigarette lighter receptacle on the boat or vehicle.
2. Insert the other end of the DC charging cord into either one of the 12V DC power outlets on the side of the unit.

Note: The jumpstart on/off switch can be left in the off position.

CAUTION

It is possible to over charge the battery when re-charging using the DC outlet. Over charging the battery can cause permanent damage and decrease battery performance. Only charge using DC supply if a 120V AC outlet is not available. Do not exceed 2 hours of DC charge time.

USE OF THE PSX

The following section will guide you through the use of your PSX.

Please note that while using various features of the PSX simultaneously is permissible, this will increase the load on the battery, thereby reducing run-time before recharging is necessary.

Jumpstarting precautions

RISK OF FIRE, EXPLOSION OR BURNS.

Electrolyte inside lead acid batteries contains sulfuric acid which can burn skin and harm or destroy clothing. Wear eye protection any time you are jumpstarting a battery and keep baking soda mixed with water available to neutralize acid. Make sure that long hair is put up securely, do not wear loose fitting clothing or jewelry, these could become caught in moving engine parts or create a short circuit resulting in personal injury or loss of life.

WARNING

RISK OF FIRE, EXPLOSION OR BURNS (continued).

Before connecting the jumpstart cables, check the jumper cables power switch to confirm that it is in the OFF position. The reverse polarity warning function does not protect the PSX or your vehicle from damage if the cables are not correctly connected and the jumper cables power switch is in the ON position. If the red “cables reversed” LED illuminates and the warning buzzer sounds when the cables are attached to the vehicle battery, STOP! Make certain the Red positive clamp on the jump start is connected to the Positive battery terminal in the vehicle and the Black negative clamp is grounded to the vehicle.

 **CAUTION**

Never allow the jumpstart's red and black cable clamps to touch each other or a common metal conductor. Such contact could cause sparking, an explosion and/or damage to the unit.

 **WARNING**

Connect red clamp to the positive (+) battery terminal. The black clamp should be attached to the engine block or other non-moving metal part of stalled vehicle. Do not connect black clamp to the negative (-) battery terminal. Doing so could cause damage to the unit and/or create a sparking/explosion hazard.

 **WARNING**

Do not try to jumpstart a battery for more than six seconds. Allow the unit to cool for three minutes after each six second jumpstart.

 **WARNING**

The jumpstarting cable connection has enough energy to cause a spark, create an explosion hazard, or cause burns if a metal object contacts both terminals. Keep the jumpstart switch in the OFF position, except when executing the jump start procedure. Do not turn on the jumpstarting function without having cables securely attached.

 **WARNING**

Using the Jumpstart

The PSX can be used to jumpstart any standard size vehicle or boat with a single 12V starting battery. If you have any questions regarding how to jump start your vehicle, consult the vehicle owners manual or the vehicle manufacturer before using the PSX jump start function.

The following steps should be read completely before starting this procedure and then carefully followed throughout the procedure:

1. Be sure that the PSX jumper cables power switch is in the OFF position (see Figure 2 on page 7 for location P).
2. Ensure safety of immediate area. See warnings at the beginning of this manual for further details.
3. Turn off the vehicle or boat, as well as all attached accessories such as lights, radios, et cetera.
4. Be sure that the emergency brake is engaged. Manual transmission vehicles should be in neutral. Automatic transmission vehicles should be in park.
5. If jumpstarting a boat engine, purge the engine compartment and vent fumes per boat manufacturer instructions before proceeding.
6. Position the PSX on a secure, level surface in reach of the battery but away from all electrical and moving parts of the engine. Please note, some engine components may be hot enough to cause severe burns or damage the PSX.
7. Connect the red positive (+) clamp (see Figure 2 on page 7 for location N) of the PSX to the positive (+) terminal of the battery (never lean over the battery when making connections to jumpstart).
8. Connect the black negative (-) clamp (see Figure 2 on page 7 for location O) of the PSX to the engine block, cylinder head, or other heavy, yet stationary metal engine part.

If cables are attached to the incorrect battery terminal the Cables Reversed LED (see Figure 2 on page 7 for location Q) will switch on and a warning tone will sound. If this occurs, correct the connection before proceeding to the next step. Failure to do so may cause sparking, personal injury and/or harm to the vehicle or jumpstart unit. **Check to be sure that the cables are clear of all moving engine parts.**



USE OF THE PSX continued

9. Turn the jumper cables power switch to the “ON” position. Crank the engine. Do not crank for more than six seconds. Allow the PSX to cool for at least 3 minutes between six second jumpstart cycles.
10. After successfully starting the engine, turn the jumper cables power switch back to the “OFF” position.
11. Remove the black negative (-) clamp and return to its stored position.
12. Remove the red positive (+) clamp from the battery and return to its stored position.

Using the integrated work light

To use the integrated work light, simply press the work light power button located directly below the work light (see Figure 2 on page 7 for location L).

Using the compressor

The air compressor in the PSX is designed as a convenient portable inflation device. After ten minutes of continuous use, turn off the compressor and allow it to cool for ten minutes. Continue use, if necessary, following this ten minutes on / ten minutes off cycle (see Figure 2 on page 7 for location K).

Allowing the compressor to run in excess of 10 minutes can result in permanent damage to the compressor, jump start unit, property or personal injury. Make sure the compressor ventilation slots on the front of the unit are free of debris and air can circulate around the compressor motor while in use.



Inflating a tire or object using the compressor

1. Secure the inflator nozzle to the valve stem using the thumb latch (see Figure 1 on page 6 for location F).
2. Switch on the compressor via the switch on the front of the PSX (see Figure 2 on page 7 for location K).
3. Check the pressure gauge (see Figure 2 on page 7 for location J). Once desired psi is reached, remove the valve connector by releasing the thumb latch.
4. Turn off compressor via the switch on the front of the PSX.

Inflating other objects

1. Place the appropriate inflation accessory nozzle on the valve connector and secure with the thumb latch (see Figure 1 on page 6 for location C).
2. Insert the accessory into the deflated object.
3. Turn on compressor via the switch on the front of the PSX. Once desired psi is reached, remove the valve connector from the inflated object. Release the inflation accessory by releasing the thumb latch and gently pulling the accessory out of the valve connector.
4. Turn off compressor via the switch on the front of the PSX.

USE OF THE PSX continued

Note: *If the maximum pressure of the item being inflated is not known, then allow the compressor to run only until the desired fullness is reached. Over-inflating an item could result in damage to the PSX or the item being inflated. Never leave the compressor running unattended.*

Operating 12V DC appliances

To power a 12V DC appliance with your PSX please follow these steps:

- Plug in appliance to the 12V outlet
- Turn on appliance
- After use is completed, turn off appliance, unplug appliance from the unit
- Re-charge the PSX as soon after use as possible
- Check the battery voltage regularly when using the 12V outlet. Do not allow the battery voltage to drop below 11V before recharging or damage to the battery can occur.

Notes:

- *The 12V DC outlet is always on. No other switches need to be on to use this outlet.*
- *The combined load should not exceed 15 Amps. Outlet will switch off automatically if overloaded.*
- *The PSX will NOT automatically turn off power to the DC outlet. Continuing to use 12V DC appliances after the battery has been depleted can permanently damage the unit.*
- *Do not operate 12V DC appliances while charging your PSX. Doing so may damage the unit and/or your DC appliance.*
- *12V DC appliances vary greatly according to the amount of power they consume. The wattage consumed by a 12V DC appliance will impact the length of time the PSX will operate the appliance before the need to recharge the PSX. The greater the wattage consumed, the lesser the duration of the PSX battery charge. The 12V DC outlet is equipped with an internal circuit breaker which will automatically cut power to the outlet if: the DC appliance causes a direct short or if the appliance draws excessive amperage. This circuit breaker is designed to automatically reset once the fault has been corrected and the breaker has cooled to a normal operating temperature.*

REPLACEMENT PARTS

The following replacement parts are available for the PSX:

PART NUMBER	DESCRIPTION
RSPS151	120V AC power cord
RSPS152	12V DC power cord
RSPS155	Inflation accessories

Only parts identified by part number are available for purchase.

If you experience any problems with the PSX, please DO NOT return the unit to the place of purchase. Please call PowerStation's Technical support staff between the hours of 8:30 AM to 5:30 PM Eastern Standard Time toll free at 1-800-837-5994.

CONTENIDO

Información de advertencia	15-18
Introducción	19
Características	19
Conociendo su PSX	20-21
Operación	22-23
La carga previo al uso inicial	22
La recarga estándar del PSX	22
La recarga con 12V DC del PSX	23
El uso del PSX	23-27
Precauciones de arranque	23-24
Usando el arrancador	25
Usando la luz integrada de trabajo	26
Usando el compresor	26
Inflando una llanta u objeto	26
Inflando otros objetos	27
Operando los dispositivos DC	27
Partes de repuesto	28
Notes	29

AVISO

Si usted experimenta cualquier problema con el PSX, por favor NO devuelva la unidad a su lugar de compra. Llame gratuitamente por favor al personal de soporte técnico de PowerStation al 1-800-837-5994.

INFORMACIÓN DE ADVERTENCIA

Este manual contiene información sobre la seguridad, operación, mantenimiento y almacenamiento de este producto.

Para evitar lesiones potenciales o daños a la propiedad, por favor lea y comprenda este manual antes de usar este producto.

Mantenga este manual para consulta futura.

RIESGO DE INCENDIO, EXPLOSIÓN O QUEMADURAS.

⚠ ADVERTENCIA

Esta unidad no cuenta con ninguna pieza dentro de la carcasa que el usuario puede reparar por sí solo. Asegúrese que un técnico calificado lleve a cabo cualquier trabajo de mantenimiento.

⚠ ADVERTENCIA

Nunca permita que las grampas de los cables rojos y negros tengan contacto uno con otro ni con ningún conductor de metal. Dicho contacto podría ocasionar daños a la unidad y/o crear un riesgo de chispas/explosión.

⚠ ADVERTENCIA

Conecte la grampa roja al borne positivo (+) de la batería. La grampa negra debe estar sujeta al bloque del motor del vehículo calado. No conecte la grampa negra al borne negativo (-) de la batería; esto podría ocasionar daños a la unidad y/o crear un riesgo de chispas/explosión.

⚠ ADVERTENCIA

No intente arrancar una batería por más de 6 segundos. Antes de repetir el ciclo de pasos de arranque, deje que se enfríe la unidad por tres minutos.

⚠ ADVERTENCIA

La conexión del cable de arranque cuenta con suficiente energía para ocasionar una chispa, crear un riesgo de explosión u ocasionar quemaduras si algún objeto de metal tenga contacto con ambos bornes. No prenda la función de arranque sin tener los cables adecuadamente sujetos a la batería del vehículo.

⚠ ADVERTENCIA

No deje desatendido el compresor durante la operación. Se debe permitir que se enfríe el compresor por diez minutos después de cada diez minutos de uso continuo.

⚠ ADVERTENCIA

No exponga el PSX a una temperatura mayor a 104°F (40°C). El rango de temperatura operacional para una batería sellada de ácido/plomo es de 5°F a 122°F (-15°C a 50°C) cuando esté descargada (o en uso) y de 32°F a 104°F (0°C a 40°C) cuando esté cargada y de 5°F a 104°F (-15°C a 40°C) durante su almacenamiento.

RIESGO DE INCENDIO, EXPLOSIÓN O QUEMADURAS.

⚠ ADVERTENCIA

No use esta unidad donde se encuentren gases ni humos combustibles. No use en un área encerrada que contenga baterías de ácido/plomo estilo automotriz.

RIESGO DE LESIONES, PERSONALES, LA MUERTE O DAÑOS AL EQUIPO SIEMPRE.

⚠ ADVERTENCIA

Lleve puesto protección de ojos aprobada al momento de usar este equipo.

Asegúrese que el arrancador esté seguramente sujetado durante el transporte. Si la unidad no esté adecuadamente asegurada durante algún accidente, la unidad podría pegarse al chofer o a los pasajeros.

⚠ ADVERTENCIA

⚠ ADVERTENCIA

No exceda la presión de aire recomendada para el objeto que se pretende inflar.

RIESGO DE CHOQUE.

⚠ ADVERTENCIA

Manténgalo fuera del alcance de los niños. No inserte objetos foráneos en el enchufe de alimentación DC, las ranuras de ventilación ni en cualquier abertura en la unidad. No exponga la unidad a agua, nieve, aspersión ni humedad excesiva.

PRECAUCIÓN.

⚠ PRECAUCIÓN

Contiene una batería sellada de ácido/plomo. Manténgala seca. No la deje caer. Consulte la guía del propietario para los procedimientos de carga. Deseche la batería según regulación local.

⚠ PRECAUCIÓN

Nunca intente arrancar una batería congelada. Caliente la batería congelada gradualmente hasta un mínimo de 40°F (4°C) antes de arrancarla.

⚠ PRECAUCIÓN

Para evitar posibles daños y/o disminuir la vida útil de trabajo de la unidad, proteja la unidad contra la luz directa del sol, el calor directo y/o la humedad.

⚠ PRECAUCIÓN

La función de arranque está diseñada para usarse sólo en aquellos vehículos o barcos con sistemas eléctricos de 12 voltios.

⚠ PRECAUCIÓN

Esta unidad no está diseñada para usarse en lugar de la batería del vehículo.

⚠ PRECAUCIÓN

Esta unidad no está diseñada para usarse como cargador de batería.

INFORMACIÓN DE ADVERTENCIA continuación

INSTRUCCIONES PARA PASAR CORRIENTE O PUENTEAR UN MOTOR:

⚠ ADVERTENCIA Las baterías contienen un ácido y producen gases explosivos

Nota: consulte el manual del usuario para las instrucciones completas. **PROTEJA SUS OJOS Y CARA DE LAS BATERÍAS EN TODO MOMENTO.** Asegúrese que las tapas de desahogo estén fijas y niveladas. Coloque un trapo húmedo, si lo tiene, sobre cualquiera de las tapas de desahogo en ambas baterías. Asegúrese que los vehículos no entren en contacto; además, revise que los sistemas eléctricos de ambos estén apagados y con el mismo voltaje. Estas instrucciones son sólo para los sistemas de tierra negativos.

1. Conecte el cable del positivo (+) al terminal del positivo (+) en la batería descargada que está cableado al arranque del motor o solenoide.
2. Conecte el otro extremo del cable positivo al terminal de la batería de recarga.
3. Conecte el cable negro del negativo (-) al otro terminal (negativo) de la batería de de recarga.
4. **HAGA LA ÚLTIMA CONEXIÓN AL BLOQUE DEL MOTOR DEL VEHÍCULO QUE NO ARRANCA (NO AL BORNE NEGATIVO), LEJOS DE LA BATERÍA. APÁRTESE.**
5. Encienda el vehículo y retire los cables en el orden contrario al que los conectó (la conexión al bloque del motor, de color negro es la primera que debe retirar).

INSTRUCCIONES DE ARRANQUE PARA DEL CABLE DE ARRANQUE DE LA BATERÍA:

⚠ ADVERTENCIA Las baterías contienen y producen gases explosivos.

Estas instrucciones están diseñadas para minimizar el peligro de explosión. Mantenga las chispas, los humos y los cigarros lejos de las baterías en todo momento, Lleve puesto goggles de seguridad y proteja los ojos en todo momento.

No se sobrecargue encima de las baterías durante esta operación.

La batería que será cargada y la fuente de arranque de respaldo deben ser del mismo voltaje (6 ó 12 V, etc.).

Las fuentes de potencia, independientes de las baterías, no deberán exceder los 16 voltios DC para uso con los sistemas de 12 voltios, y no deberán exceder los 8 voltios DC con us sistema de 6 voltios DC.

continuación

INSTRUCCIONES DE ARRANQUE PARA DEL CABLE DE ARRANQUE DE LA BATERÍA (continuación):

Coloque el vehículo con la batería de arranque, o cualquier otra fuente de potencia adyacente al vehículo, con la batería agotada para que los cables de arranque puedan conectarse fácilmente entre ambos vehículos. Asegúrese que los vehículos no tengan ningún contacto uno con otro.

1. Apague todas las cargas eléctricas en los vehículos y fije el freno de mano. Coloque la transmisión automática en la posición de “ESTACIONADO” (transmisión manual en “NEUTRO”).
2. Determine si la batería agotada tiene un borne negativo (-) o positivo (+) conectado a tierra. El cable con conexión a tierra está conectado al bloque motor, el armazón del vehículo o con un alguna otra base de metal con conexión a tierra. El borne de batería el que está conectado con el motor de arranque es el que no tiene ninguna conexión a tierra. Todos los vehículos fabricados en los Estados Unidos a partir del año 1955 cuentan con un borne de batería negativo que está conectado a tierra. Todos los vehículos pasajeros provenientes de Europa y Asia fabricados a partir del año 1971 cuentan con un borne de batería negativo con conexión a tierra.
3. En un sistema de conexión a tierra negativo, conecte el cable positivo (+) al borne positivo (+) de la batería agotada, alambrado al solenoide del motor de arranque. No permita que las grampas de los cables positivos tengan contacto con ningún otro metal que no sea el de los bornes positivos (+) de la batería.
4. Asegúrese que las tapas de ventilación estén apretadas y niveladas en ambas baterías. Coloque un trapo húmedo sobre las tapas de ventilación en cada batería, asegurándose que este esté libre de los hélices del ventilador, correas y otras partes móviles.

INTRODUCCIÓN

Gracias por comprar el PSX de PowerStation. El PSX es un producto versátil, libre de mantenimiento y sencillo de usar, diseñado para instantáneamente arrancar vehículos, proveer trabajo de inflado portátil y alimentación DC de 12 voltios. El PSX brinda además iluminación en cualquier situación con una lámpara de trabajo integrada.

El PSX es un acompañamiento ideal para acompañar todas sus necesidades de arranque, inflado, o de alimentación portátil.

CARACTERÍSTICAS

- La batería EHP de alto corriente proporciona una potencia máxima de 1,000 amperes, con 400 amperes de potencia de arranque.
- Arranca coches, camionetas, vehículos para recreación y barcos, sin necesidad de un vehículo anfitrión ni de una fuente de alimentación AC.
- La salida de alimentación DC de 12V brinda potencia para dispositivos diseñados para enchufarse en un receptáculo de alimentación 12V para vehículos o barcos.
- El cargador integrado de estado sólido permite una recarga de la batería PSX a través de cualquier fuente de alimentación AC de 120 voltios.
- La batería sellada para servicio pesado y libre de mantenimiento es segura para uso, transporte y almacenamiento.
- Cables de soldadura 37 po (94cm) industriales para servicio pesado y grampas de 400 amperes para una máxima potencia de arranque.
- Medidor de voltaje de baterías para una rápida evaluación del estado de carga de la batería interna PSX.
- El estuche moldeado de alto impacto proporciona durabilidad y cómodo transporte.
- Lámpara de trabajo DEL para reparaciones al borde de la carretera o para situaciones de emergencia.
- El compresor de aire de alta presión y los adaptadores pueden abordar un rango amplio de necesidades de inflado.
- El calibrador de presión despliega la presión de aire en PSI
- Las luces indicadoras de “cables invertidos” indican una advertencia de polaridad inversa.
- Se incluyen un cable de alimentación DC de 12 voltios y un cable de carga AC de 12 voltios.

CONOCIENDO SU PSX

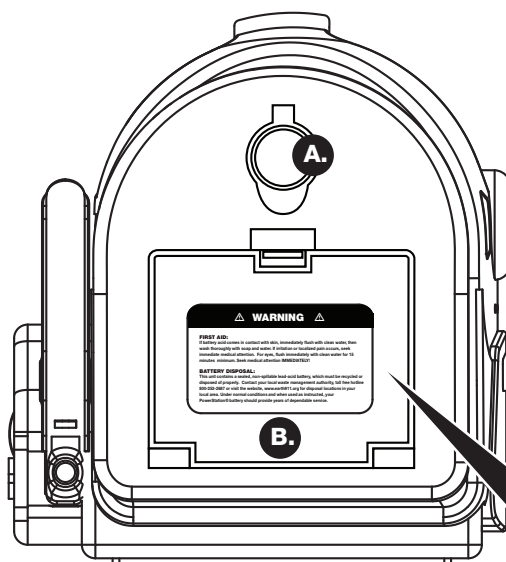
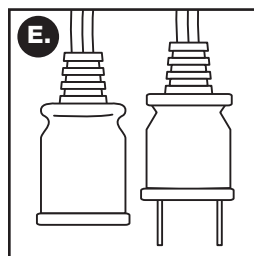
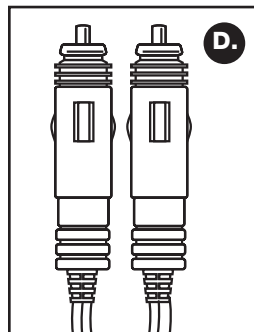
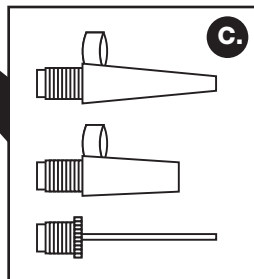
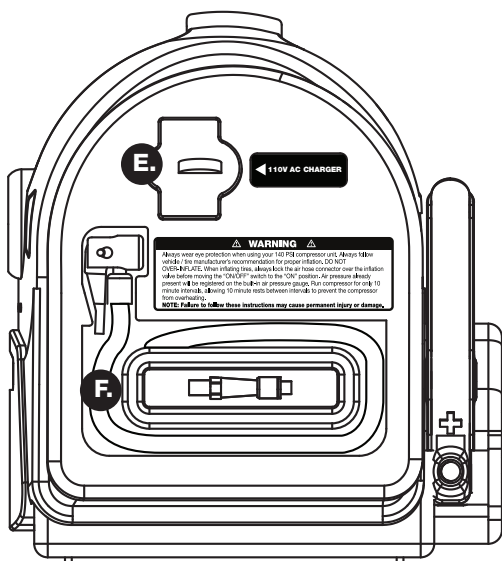


Figura 1

- A.** Salida DC 12V
- B.** Adaptadores de entrada de aire, cable de alimentación 12V DC, y almacenamiento del cable de carga AC 120V
- C.** Adaptadores de entrada de aire (3)
- D.** Cable de alimentación DC 12V
- E.** Salida de carga AC 120V y cable de carga
- F.** Almacenamiento para compresor de aire y manguera



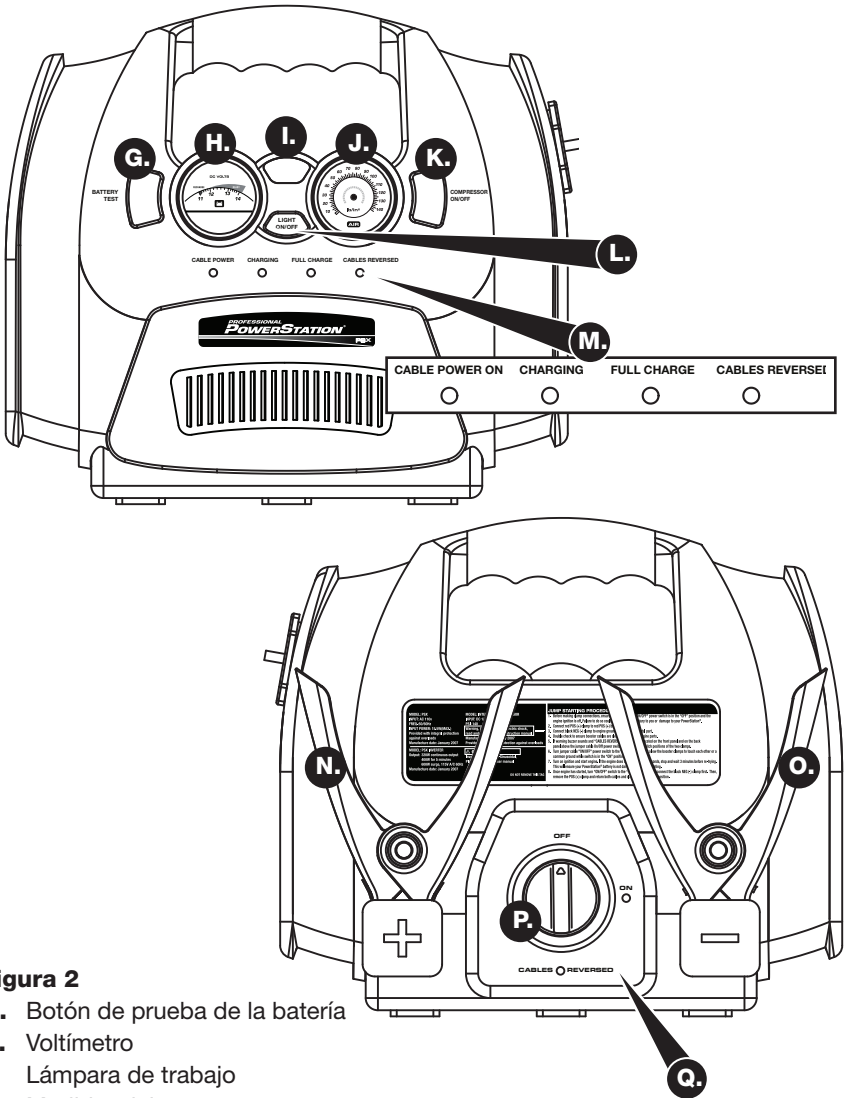


Figura 2

- G.** Botón de prueba de la batería
- H.** Voltímetro
- I.** Lámpara de trabajo
- J.** Medidor del compresor
- K.** Botón de ENCENDIDO/APAGADO del compresor
- L.** Botón de ENCENDIDO/APAGADO de la lámpara de trabajo
- M.** Luces indicadores: cable encendido/cargándose/carga completa/cables inversos
- N.** Grampa positiva
- O.** Grampa negativa
- P.** Interruptor ENCENDIDO/APAGADO de los cables de arranque
- Q.** Luz indicadora DEL de cables inversos

OPERACIÓN

⚠ PRECAUCIÓN Lea todas las instrucciones de operación antes de usar su PSX.

Esta sección le guiará por:

- Cargando el PSX antes del uso inicial
- La recarga estándar del PSX
- Arrancando un vehículo.
- Usando la lámpara integrada de trabajo.
- Usando el compresor.
- Operando la salida DC 12V

Cargando el PSX previo al uso inicial

Nosotros recomendamos que se cargue el PSX con regularidad. La carga inicial podrá tardarse de hasta 72 horas.

Nota: *Si la batería está completamente descargada, se pueden requerir de hasta 72 horas para completar la recarga. Si usted almacene su PSX durante periodos extendidos de tiempo sin usarlo, recargue la unidad al menos una vez al mes. El PSX viene equipado con un sensor que previene la sobrecarga.*

⚠ PRECAUCIÓN No use el PSX como fuente de potencia durante la recarga.

Use la guía paso a paso a continuación para recargar su unidad.

Recarga estándar del PSX

Nosotros recomendamos que se cargue el PSX con regularidad. Aún cuando no está en uso continuo, el PSX debe cargarse al menos una vez al mes para mantener un óptimo rendimiento.

Cargue su PSX después de cada uso.

Para recargar la batería interna de PowerStation usando la alimentación AC:

1. Asegúrese que todos los elementos de la unidad estén apagados y que no haya nada conectado a la salida DC 12V.
2. Enchufe el cable del cargador AC en el punto de acceso AC del cargador en la unidad. Ahora se iluminará el indicador “Batería cargándose”.
3. Enchufe el cable del cargador AC en una salida AC estándar de pared.
4. Deje que la unidad se cargue hasta que se apague el indicador rojo de “Carga de la batería” y el indicador verde de “carga completa” se ilumine.
5. El nivel de carga puede ser verificado al primero desconectar el cable del cargador AC de la salida de la pared y al presionar el botón de prueba de la batería.

Para realizar la recarga usando una fuente de alimentación DC 12V: (No exceda las 2 horas)

Nota: Use la opción de carga DC sólo cuando no está disponible una fuente de alimentación AC.

1. Inserte el cable de carga DC en el receptáculo del encendedor de cigarrillos en el barco o vehículo.
2. Inserte el extremo opuesto del cable de carga DC en cualquiera de las salidas de potencia DC 12 V del lado de la unidad.

Nota: El interruptor encendido/apagado del arrancador puede permanecer en la posición de apagado.

Es potencialmente posible sobrecargar una batería, al momento de realizar la recarga usando una salida DC. La sobrecarga de la batería puede ocasionar daños permanentes y disminuir el rendimiento de la batería. Cárguela usando una fuente DC solamente si no está disponible una fuente AC 120V. NO exceda 2 horas de tiempo carga.

PRECAUCIÓN

EL USO DEL PSX

La sección a continuación le guiará por el uso de su PSX.

Note por favor que es posible usar simultáneamente varias funciones del PSX, esto aumentará la carga para la batería, consecuentemente reduciendo el tiempo de uso antes de que sea necesario una recarga.

Precauciones de arranque

RIESGO DE INCENDIO, EXPLOSIÓN O QUEMADURAS.

Los electrolitos adentro de las baterías de ácido/plomo contienen ácido sulfúrico, el cual puede quemar la piel y dañar o destruir la ropa. Lleve puesto protección de ojos cada vez que usted esté arrancando una batería y mantenga disponible bicarbonato de soda, combinado con agua, para neutralizar el ácido. Asegúrese que el pelo largo esté sujetado seguramente, no lleve puesto ropa ni joyería floja, éstas pueden engancharse en partes móviles del motor o pueden crear un corto-circuito, ocasionando una lesión personal o aún la pérdida de vida.

ADVERTENCIA

RIESGO DE INCENDIO, EXPLOSIÓN O QUEMADURAS. Antes de conectar los cables de arranque, revise el interruptor de potencia de los cables de arranque para confirmar que esté en la posición de “APAGADO.” (“OFF”). La función de advertencia de polaridad inversa no protege el PSX ni su vehículo contra daños si los cables no están correctamente conectados o si el interruptor de encendido de los cables de arranque está en la posición de “ENCENDIDO” (“ON”). Si la luz roja DEL de “cables inversos” se ilumina y el timbre de advertencia suena cuando los cables están sujetos a la batería del vehículo, ¡ALTO! Asegúrese que la grampa positiva del arrancador esté conectada al borne positivo de la batería del vehículo y que la grampa negra negativa esté conectada a tierra con el vehículo.

⚠ PRECAUCIÓN

Nunca deje que las grampas de los cables rojo y negro del arrancador tengan contacto uno con otro ni con ningún conductor de metal. Dicho contacto podría ocasionar chispas, alguna explosión y/o daños a la unidad.

⚠ ADVERTENCIA

Conecte la grampa roja al borne positivo (+) de la batería. La grampa negativa debe sujetarse al bloque motor o a alguna pieza inmóvil de metal del vehículo calado. No conecte la grampa negativa al borne negativo (-) de la batería. Esto podría ocasionar daños a la unidad y/o crear un riesgo de chispas/explosión.

⚠ ADVERTENCIA

No intente arrancar una batería por más de seis segundos. Deje que se enfríe la unidad por tres minutos después de cada arranque de seis segundos.

⚠ ADVERTENCIA

La conexión del cable de arranque cuenta con suficiente energía para ocasionar una chispa, crear un riesgo de explosión u ocasionar quemaduras, si un objeto de metal tenga contacto con ambos bornes. Mantenga el interruptor del arrancador en la posición de “APAGADO” (“OFF”), excepto al momento de ejecutar el procedimiento de arranque. No encienda la función de arranque sin tener los cables seguramente sujetos.

⚠ ADVERTENCIA

Usando el arrancador

El PSX puede ser usado para arrancar cualquier vehículo o barco de tamaño estándar con una batería sencilla de arranque 12V. Si usted tiene alguna duda acerca de cómo arrancar su vehículo, consulte el manual del propietario del vehículo antes de usar la función de arranque del PSX.

Antes de comenzar este procedimiento, los siguientes pasos deben ser leídos completamente, luego sígalos cuidadosamente durante el proceso:

1. Asegúrese que el interruptor de potencia de los cables de arranque PSX esté en la posición de APAGADO (“OFF”). (Ver la figura 2 en la página 21 para la ubicación P).
2. Asegure la seguridad del área inmediata. Para mayores detalles, vea las advertencias al principio de este manual.
3. Apague el vehículo o barco, tanto como los accesorios sujetos, tales como luces, radios, etc.
4. Asegúrese que el freno de emergencia esté enganchado. Los vehículos de transmisión manual deben estar en la posición “neutro” (en punto muerto). Los vehículos de transmisión automática deben estar en la posición de “estacionado.”
5. Si se está arrancando un motor de barco, antes de proceder, purgue el compartimiento del motor y ventile los humos según las instrucciones del fabricante.
6. Coloque el PSX sobre una superficie segura y nivelada dentro del alcance de la batería pero lejos de todas las piezas eléctricas y móviles del motor. Anótese por favor que algunos componentes del motor pueden estar suficientemente calientes para ocasionar quemaduras severas o daños al PSX.
7. Conecte la grampa del PSX al borne rojo positivo (+) de la batería. (ver la figura 2 en la página 21 para la ubicación N). Al momento de realizar las conexiones de arranque, nunca sobrecargue, si mismo, sobre la batería.
8. Conecte la grampa negra negativa (-) del PSX al bloque del motor (ver la figura 2 en la página 21 para la ubicación O), a la cabeza del cilindro o a otra pieza pesada pero inmóvil de metal del motor.

Si los cables están incorrectamente sujetos al borne de la batería, se encenderá la luz DEL de “cables inversos” (ver la figura 2 en la página 21 para la ubicación Q) y sonará un timbre de advertencia. Si esto ocurra, corrija la conexión antes de proceder al próximo paso. Hacer caso omiso podría ocasionar chispas, lesiones personales y/o daños al vehículo o a la unidad de arranque. **Asegúrese que los cables estén libres de todas las piezas móviles del motor.**

ADVERTENCIA

9. Ponga el interruptor de potencia de los cables de arranque en la posición de ENCENDIDO (“ON”). Arranque el motor. No lo arranque por más de seis segundos. Deje que se enfríe el PSX, por al menos tres minutos, entre cada ciclo de arranque de seis segundos.
10. Después de exitosamente arrancar el motor, cambie el interruptor de potencia de los cables de arranque nuevamente hasta la posición de “APAGADO” (“OFF”).
11. Quite la grampa negra negativa (-) y vuélvela a su posición de almacenada.
12. Quite la grampa roja positiva (=) de la batería y vuélvela a su posición de almacenada.

Usando la lámpara integrada de trabajo

Para usar la lámpara integrada de trabajo, simplemente presione el botón de potencia de la lámpara de trabajo ubicado directamente debajo de la lámpara de trabajo (ver la figura 2 en la página 121 para la ubicación L).

Usando el compresor

El compresor de aire en el PSX está diseñado como un cómodo dispositivo portátil de inflación. Después de diez minutos de uso continuo, apague el compresor y deje que éste se enfríe por diez minutos. Continúe, si sea necesario, después de concluir el ciclo de diez minutos encendido/diez minutos apagado. (ver la figura 2 en la página 21 para la ubicación K).

Si se permite que el compresor corra en exceso de diez minutos, esto podría ocasionar daños permanentes al compresor, a la unidad del arrancador, a la propiedad u ocasionará lesiones personales. Asegúrese que las ranuras de ventilación del compresor, en la parte delantera de la unidad, estén libres de escombros y que el aire pueda circular alrededor del motor del compresor mientras éste esté en uso.

▲ ADVERTENCIA

Inflando una llanta u objeto usando el compresor

1. Usando la pestilla de dedo, sujete la boquilla del inflador al eje de la válvula (ver la figura 1 en la página 20 para la ubicación F).
2. Encienda el compresor usando el interruptor en la parte delantera del PSX (ver la figura 2 en la página 21 para la ubicación K).
3. Revise el medidor de presión (ver la figura 2 en la página 21 para la ubicación J). Una vez que se logre los psi deeadados, quite el conector de la válvula, al liberar la pestilla de dedo.
4. Usando el interruptor en la parte delantera del PSX, apague el compresor.

Inflando otros objetos:

1. Coloque la boquilla complementaria adecuada de inflación en el conector de la válvula y asegúrela con la pestilla de dedo (ver la figura 1 en la página 20 para la ubicación C)
2. Inserte el accesorio en el objeto desinflado.
3. Usando el interruptor en la parte delantera del PSX, encienda el compresor. Una vez que se logre el psi deseado, quite el conector de la válvula del objeto inflado. Libere el accesorio de inflación, al liberar la pestilla de dedo y jale el accesorio suavemente del conector de válvula.
4. Usando el interruptor en la parte delantera del PSX, apague el compresor.

Nota: *Si se desconoce la presión máxima del artículo que se pretende inflar, entonces deje que el compresor corra sólo, hasta que se logre la inflación deseada. La sobre-inflación de algún artículo podría ocasionar daños al PSX o al artículo a inflarse. Nunca deje desatendido el compresor mientras éste esté encendido.*

Operando dispositivos DC 12V

Para alimentar un dispositivo DC 12V con su PSX, siga estos pasos a continuación por favor:

- Enchufe el dispositivo en la salida 12V
- Encienda el dispositivo
- Después de completar el uso, apague el dispositivo, desenchufe el dispositivo de la unidad
- Recargue el PSX tan pronto sea posible después del uso
- Verifique el voltaje de la batería regularmente al momento de usar la salida 12V. No deje que el voltaje de la batería caiga debajo de 11V antes de recargarla ya que se podrían ocasionar daños a la batería.

Notas:

- *La salida DC 12V siempre está alimentada. Ningún otro interruptor requiere estar prendido para usar esta salida.*
- *La carga combinada no debe exceder los 15 amperes. Si se llegara a sobrecargar, la salida se apagará automáticamente.*
- *El PSX NO apagará la alimentación de la salida DC automáticamente. Si se sigue usando los dispositivos DC 12V después de que se agote la batería, esto podría ocasionar daños permanentes a la unidad.*
- *No opere dispositivos DC 12V durante la carga de su PSX. Esto podría ocasionar daños a la unidad y/o a su dispositivo DC. .*
- *Los dispositivos DC 12V varían mucho según la cantidad de potencia que ellos consumen. El vataje consumido por un dispositivo DC 12V impactará la duración de tiempo que el PSX pueda operar el dispositivo antes de requerir una recarga del PSX. El mayor vataje consumido, menor será la duración de la carga de la batería PSX. La salida DC 12V viene equipada con un cortacircuitos interno el cual automáticamente cortará la alimentación a la salida si: el dispositivo DC ocasione un corto directo o si el dispositivo lleve un amperaje excesivo. El cortacircuitos está diseñado para automáticamente reajustarse una vez que se haya corregido la falla y el cortacircuitos se haya enfriado hasta una temperatura normal de operación.*

PIEZAS DE REPUESTO

Las piezas de repuesto a continuación están disponibles para el PSX:

PARTE NÚMERO	DESCRIPCIÓN
RSPS151	Cable de alimentación AC 120V
RSPS152	Cable de alimentación DC 12V
RSPS155	Accesorios de inflado

Están disponibles para la compra sólo aquellas piezas identificadas por número de pieza.

Si usted sufra cualquier problema con su PSX, por favor NO devuelva la unidad al lugar de compra. Llame gratuitamente por favor al personal de soporte técnico de PowerStation entre las horas de 8:30 a.m. y 5:30 p.m., tiempo estándar del este, al 1-800-837-5994. al lugar de compra.

NOTES / NOTAS

PowerStation, LLC
PO Box 4556 • Greenville, SC 29608