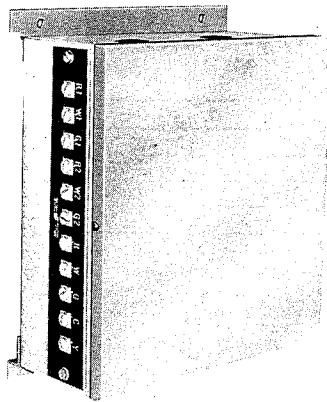
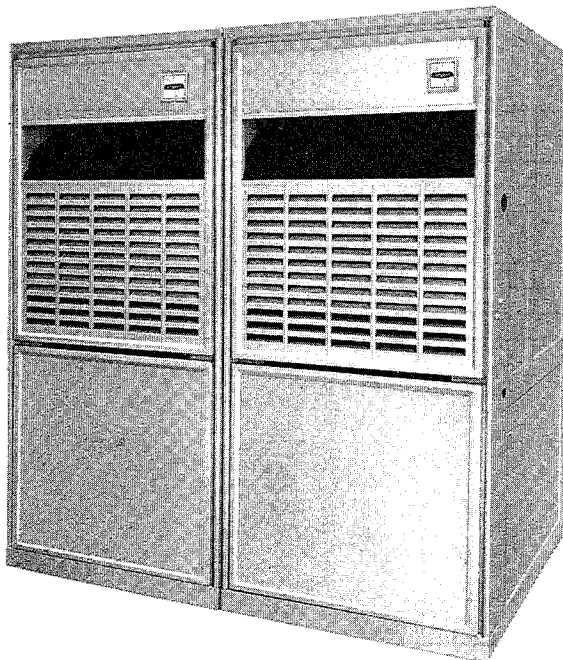


bryant**Bryant**
Air ConditioningIndianapolis, IN
City of Industry, CA

TWINNING KIT FOR GAS FURNACES

**Models 394GAD
394GAZ
394JAZ
and 398AAZ**
Sizes 065 thru 150

A77401



The furnace twinning kit permits two furnaces of the same model and size to operate as a single unit on the same duct system. Twinned furnaces may be used with Model 507C090 or 120 A-Coils and matching condensing units. The complete single-zone heating and cooling system formed is ideal for large homes and light commercial applications.

The twinning of standard furnaces with continuous pilots (Model 394GAD) offers low system cost. Vent dampers may not be installed when twinning two Model 394GAD furnaces.

This kit can be used to twin standard furnaces with intermittent ignition systems—providing lower operating costs. Only these furnaces (Model 394GAZ or 394JAZ) can be equipped with vent dampers.

Twinning of condensing furnaces may also be accomplished with this kit. Model 398AAZ Condensing Furnaces yield the utmost in fuel efficiency.

The kit is not intended for heat-staging usage.

FEATURES/BENEFITS

FACTORY-WIRED—All internal control box wiring is complete. The 115-volt wiring is furnished and already connected in the control box.

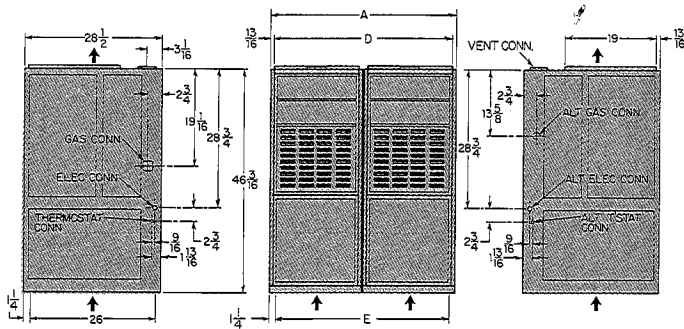
TERMINAL STRIP—The 24-volt connections from the thermostat, furnaces, and the twinning control box can be easily made to terminal strips.

LIMIT CONTROLS—Two manual reset limit controls give added protection against reverse air circulation.

TRANSFORMER—Built-in transformer provides the control power to operate twinning control box and condensing unit (if used).

ISOLATES TRANSFORMERS—Provides isolation of furnace and twinning control transformers required by the National Electric Code.

Twinned furnaces are the solution to heating demands greater than a single furnace can meet.



394G and 394J Furnaces

A78686

**DIMENSIONAL DRAWING (Inches)
MODELS: 394GAD and 394GAZ**

SIZE*	A	D	E†	Vent Connection
(2) 048100	42	40-3/8	39-1/2	(2) 5
(2) 048125	42	40-3/8	39-1/2	(2) 5
(2) 060125	49	47-3/8	46-1/2	(2) 5
(2) 048150	49	47-3/8	46-1/2	(2) 6
(2) 060150	49	47-3/8	46-1/2	(2) 6

*Size given in input MBH.

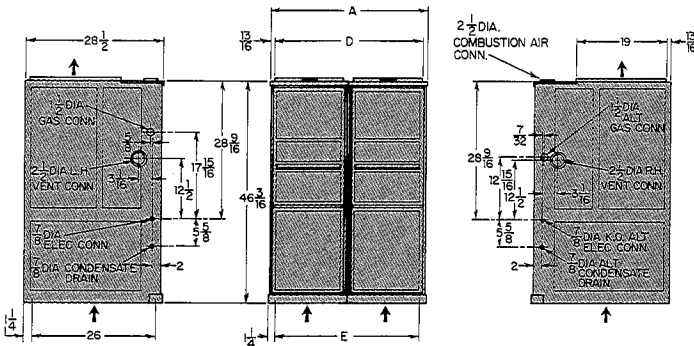
†Common bottom inlet must be used.

**DIMENSIONAL DRAWING (Inches)
MODEL: 394JAZ**

SIZE*	A	D	E†	Vent Connection
(2) 048065	42	40-3/8	39-1/2	(2) 4
(2) 048080	42	40-3/8	39-1/2	(2) 5
(2) 060080	42	40-3/8	39-1/2	(2) 5
(2) 060095	49	47-3/8	46-1/2	(2) 6

*Size given in output MBH.

†Common bottom inlet must be used.



398A Furnace

A85181

**DIMENSIONAL DRAWING (Inches)
MODEL: 398AAZ**

SIZE*	A	D	E†
(2) 048100	42	40-3/8	39-1/2
(2) 060100	42	40-3/8	39-1/2
(2) 060120	49	47-3/8	46-1/2

*Size given in output MBH.

†Common bottom inlet must be used.

SPECIFICATIONS

PART NUMBER	315785-701		
ELECTRICAL			
Volts—Hertz—Phase	115—60—1		
Transformer (115V/24V)	40VA		
External Control	Heating	28VA	
Power Available	Cooling	28VA	
Blower Relay Contact Rating	(2) 12 Amps Inductive		
Limit Control	(2) Manual Reset		
RATINGS & PERFORMANCE*†			

*See the appropriate Product Data Sheet for furnace ratings and air delivery.

†Double airflow ratings for twin applications.

SPECIFICATIONS SUBJECT TO CHANGE WITHOUT NOTICE

KIT AND UNITS MUST BE INSTALLED IN ACCORDANCE
WITH INSTALLATION INSTRUCTIONS

