

Bring a room to life with the comfort of our Vent-Free Fireplaces and Fireplace Logs

Freestanding Vent-Free Fireplace ►

Our freestanding vent-free fireplaces need no hearth – they sit anywhere, in any room, to bring you hearth-felt comfort! Offered in an ivory finish.



25,000 Btu/hr

Deluxe Vent-Free Firebox ▼

Combine one of our vent-free fireboxes and fireplace log sets to enjoy all the comfort of flame-wrapped split oaks radiating warmth from your very own glowing hearth – and do it with 99.9% heat efficiency. All this without the expense of a chimney.



Deluxe Vent-Free Firebox ►

Build-in or frame-up one of our space-saving vent-free fireplace models to enrich your home. Vent-free fireboxes can be enhanced with your own mantel.



Vent-Free Fireplace Logs ▲

With our Williams' vent free fireplace log set, the exclusive cross-lighter design maintains full yellow flame even on low setting.

Design Features

- No electricity or venting required
- "Matchless" pilot igniter
- Easy installation
- Eliminates costly firewood
- Natural and propane gas models
- 99.9% heat efficient –
keeps all the heat in the room
- Fireplace includes natural-looking, axe-split log sets

Vent-Free Fireboxes & Fireplace Logs

VENT-FREE FIREBOXES

Model Number	Description	Screen Opening Width	Dimensions			Shipping Weight
			Width	Height	Depth	
4226	38" Deluxe Heat Circulating	38"	40 ⁵ / ₈ "	38 ³ / ₄ "	21 ¹ / ₂ "	158 lbs.
4227	43" Deluxe Heat Circulating	42 ³ / ₄ "	45 ³ / ₈ "	38 ³ / ₄ "	21 ¹ / ₂ "	178 lbs.

VENT-FREE FIREPLACE LOGS

Model Number		Btu/hr Input				Heat Settings	Log Size	No. Burners	No Logs	Shipping Weight
		High Setting		Low Setting						
Natural	Propane	Natural	Propane	Natural	Propane					
2100542	2100541	21,000	21,000	15,750	15,750	MANUAL HIGH-LOW	21"	1	4	29 lbs.
2500542	--	25,000	--	16,250	--	BUILT-IN THERMOSTAT	18"	2	4	31 lbs.
3200542	--	32,000	--	17,000	--	MANUAL HIGH-LOW	24"	2	4	30 lbs.

Minimum Fireplace Dimensions For Vent-Free Fireplace Logs are 14" depth and 16" height. Width requirements by model are: (2100 and 3200 Series, 26" front/22" rear).

FREESTANDING AND VENT-FREE FIREPLACES*

Model Number		Btu/hr Input		Heat Settings	Efficiency %	Dimensions H x W x D	Fireplace	Shipping Weight
Natural	Propane	Natural	Propane					
2506542.10	--	25,000	--	High-Low	99.9	29" x 23 ⁷ / ₈ " x 16 ¹ / ₄ "	Freestanding (Ivory)	99 lbs.
2506542.8	2506541.8	25,000	25,000	High-Low	99.9	38 ³ / ₄ " x 35 ⁷ / ₈ " x 16"	Vent-Free	90 lbs.

*All units include 4-log set.

Features

Vent-Free Fireboxes

Williams' full-size vent-free fireboxes are designed specifically for Williams' vent-free fireplace logs. Our vent-free fireboxes feature large brick refractories for a genuine masonry look. A right-side knockout provides convenient gas line access. Each firebox comes with a black, luster-finished heat deflection canopy. An optional polished brass trim kit is available for deluxe models. Firebox is shipped ready to install. *No other gas log sets are to be installed in these fireboxes.*

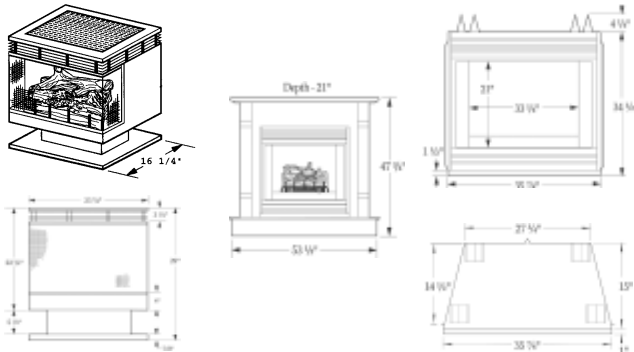
Vent-Free Fireplace Logs

Two-Burner Design Includes: Four Logs, Lava Rock, and a Placement Grate with a Two-Burner Design. On the low heat setting, the dancing rear flame provides both heat and a view of the flames. The high heat setting turns on the front burner so the glowing, charred wood embers are visible and additional heat is radiated into the room. With thermostat models, both flames are on for all settings.

Single-Burner Design Includes: Four Logs, Lava Rock, and a Placement Grate with a Single Burner.

Williams' Vent-Free Fireplace Logs can be installed in solid-fuel burning masonry and factory-built fireplaces that have been properly installed with venting according to code. Damper may be in the closed position when using Williams' Vent-Free Fireplace Logs.

Freestanding & Vent-Free Fireplace



Accessories

Polished Brass Trim Kit

Kit is complete with trim pieces and one header piece, in polished brass.

Model 4230 for 4226, **Model 4231** for 4227. Shipping weight 3 lbs.

Model 4228 for 2506542.8 and 2506541.8. Shipping weight 5 lbs.

Adjustable Canopy

The adjustable canopy easily expands from 28" to 48" to accommodate various masonry and wood-burning fireplaces.

Available in black **Model 4233** Shipping weight 6 lbs. and polished brass **Model 4232** for existing fireplace when vent-free log set is installed. Shipping weight 6 lbs.

Oak Wall Surround

Designed for installation ease and have only four interlocking pieces which attach to the hearth.

Made of solid oak and oak veneer and are ready to finish.

Model 4229 Shipping weight 107 lbs.

Recommended Minimum Clearances

Vent-Free Fireboxes

- 16" from side of wall to the fireplace opening
- 42" from the top of the firebox opening to the ceiling
- 14" noncombustible hearth extension in front of firebox or the fireplace log set base must be 5" above combustible flooring material
- See owner's manual for mantel installation

Freestanding Vent-Free Fireplace

- 4" from rear wall
- 12" from side of wall
- 42" from top of the heater opening to the ceiling

Vent-Free Fireplace

- 16" from side of wall
- 42" from the top of the heater opening to the ceiling
- See owner's manual for mantel installation

IMPORTANT

- Read owner's manual before using.
- Photographs are representative only.
- Check local codes and ordinances for permitted uses.
- Do not install the firebox in a sleeping room or bathroom.
- Freestanding Fireplace accepted by NFPA, CABO, SBCCI and BOCA building codes.
- Specify propane or natural gas when ordering. Units are not intended for conversion between fuel types.
- Consult installation manual for clearances prior to installation.
- We reserve the right to amend product specifications without notice.
- Installation and servicing recommended by a qualified service person.
- Use with adequate air (ventilation) only. Refer to owner's manual for details.
- Please read the warranty for any limitations or disclaimers. All parts carry a one-year limited warranty.



250 West Laurel Street • Colton, CA 92324 • U.S.A.
 (909) 825-0993 • Fax: (909) 370-0581 or (909) 824-8009
www.williamscomfortprod.com
 Homeowner Assistance: (909) 426-0978