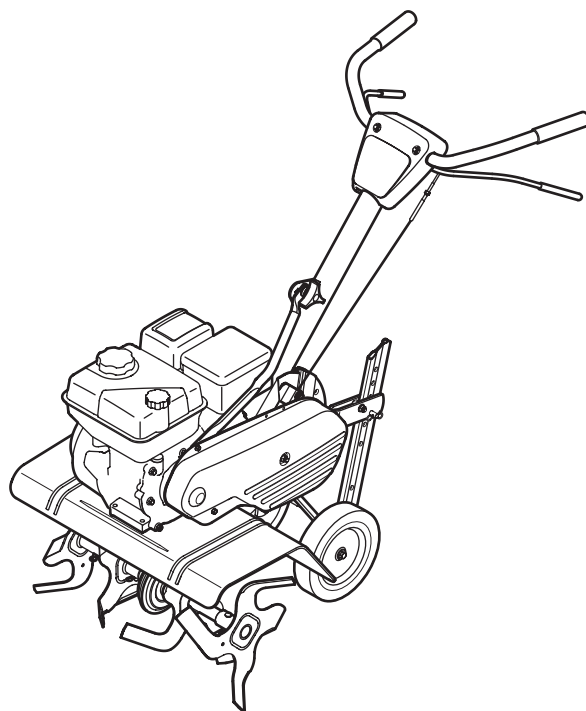




OPERATOR'S MANUAL



Front Tine Tiller — 340 Series

WARNING

**READ AND FOLLOW ALL SAFETY RULES AND INSTRUCTIONS IN THIS MANUAL
BEFORE ATTEMPTING TO OPERATE THIS MACHINE.
FAILURE TO COMPLY WITH THESE INSTRUCTIONS MAY RESULT IN PERSONAL INJURY.**

TROY-BILT LLC, P.O. BOX 361131 CLEVELAND, OHIO 44136-0019

Thank You

Thank you for purchasing a Troy-Bilt Garden Tiller. It was carefully engineered to provide excellent performance when properly operated and maintained.

Please read this entire manual prior to operating the equipment. It instructs you how to safely and easily set up, operate and maintain your machine. Please be sure that you, and any other persons who will operate the machine, carefully follow the recommended safety practices at all times. Failure to do so could result in personal injury or property damage.

All information in this manual is relative to the most recent product information available at the time of printing. Review this manual frequently to familiarize yourself with the machine, its features and operation. Please be aware that this Operator's Manual may cover a range of product specifications for various models. Characteristics and features discussed and/or illustrated in this manual may not be applicable to all models. We reserve the right to change product specifications, designs and equipment without notice and without incurring obligation.

If you have any problems or questions concerning the machine, phone a authorized Troy-Bilt service dealer or contact us directly. Troy-Bilt's Customer Support telephone numbers, website address and mailing address can be found on this page. We want to ensure your complete satisfaction at all times.

Throughout this manual, all references to *right* and *left* side of the machine are observed from the operating position

The engine manufacturer is responsible for all engine-related issues with regards to performance, power-rating, specifications, warranty and service. Please refer to the engine manufacturer's Owner's/Operator's Manual, packed separately with your machine, for more information.

Table of Contents

Safe Operation Practices	3	Service	14
Assembly & Set-Up	7	Troubleshooting	15
Controls	10	Replacement Parts	16
Operation	11	Warranty	Back Cover
Maintenance & Adjustment	13		

Record Product Information

Before setting up and operating your new equipment, please locate the model plate on the equipment and record the information in the provided area to the right. You can locate the model plate by standing at the operator's position and looking down at the tine shield. This information will be necessary, should you seek technical support via our web site, Customer Support Department, or with a local authorized service dealer.

MODEL NUMBER

--	--	--	--	--	--	--	--	--	--	--

SERIAL NUMBER

--	--	--	--	--	--	--	--	--	--	--

Customer Support

Please do NOT return the machine to the retailer or dealer without first contacting the Customer Support Department.

If you have difficulty assembling this product or have any questions regarding the controls, operation, or maintenance of this machine, you can seek help from the experts. Choose from the options below:

- ◇ Visit us on the web at www.troybilt.com



See How-to Maintenance and Parts Installation Videos at www.troybilt.com/tutorials

- ◇ Call a Customer Support Representative at (800) 828-5500 or (330) 558-7220
- ◇ Write to Troy-Bilt LLC • P.O. Box 361131 • Cleveland, OH • 44136-0019



WARNING! This symbol points out important safety instructions which, if not followed, could endanger the personal safety and/or property of yourself and others. Read and follow all instructions in this manual before attempting to operate this machine. Failure to comply with these instructions may result in personal injury.

When you see this symbol. **HEED ITS WARNING!**

CALIFORNIA PROPOSITION 65



WARNING! Engine Exhaust, some of its constituents, and certain vehicle components contain or emit chemicals known to State of California to cause cancer and birth defects or other reproductive harm.



WARNING! Battery posts, terminals, and related accessories contain lead and lead compounds, chemicals known to the State of California to cause cancer and reproductive harm. *Wash hands after handling*



DANGER! This machine was built to be operated according to the safe operation practices in this manual. As with any type of power equipment, carelessness or error on the part of the operator can result in serious injury. This machine is capable of amputating fingers, hands, toes and feet. Failure to observe the following safety instructions could result in serious injury or death.

Training

1. Read, understand, and follow all instructions on the machine and in the manual(s) before attempting to assemble and operate. Keep this manual in a safe place for future and regular reference and for ordering replacement parts.
2. Be familiar with all controls and their proper operation. Know how to stop the machine and disengage them quickly.
3. Never allow children under 14 years of age to operate this machine. Children 14 and over should read and understand the instructions and safe operation practices in this manual and on the machine and be trained and supervised by an adult.
4. Never allow adults to operate this machine without proper instruction.
5. Keep the area of operation clear of all persons, particularly small children and pets. Stop machine if anyone enters the area.
2. Wear sturdy, rough-soled work shoes and close fitting slacks and shirt. Loose fitting clothes or jewelry can be caught in moving parts. Never operate this machine in bare feet or sandals.
3. Disengage clutch levers and shift (if provided) into neutral ("N") before starting the engine.
4. Never leave this machine unattended with the engine running.
5. Never attempt to make any adjustments while engine is running, except where specifically recommended in the operator's manual.

Safe Handling of Gasoline:

To avoid personal injury or property damage use extreme care in handling gasoline. Gasoline is extremely flammable and the vapors are explosive. Serious personal injury can occur when gasoline is spilled on yourself or your clothes which can ignite. Wash your skin and change clothes immediately.

- a. Use only an approved gasoline container.
- b. Never fill containers inside a vehicle or on a truck or trailer bed with a plastic liner. Always place containers on the ground away from your vehicle before filling.

Preparation

1. Thoroughly inspect the area where the equipment is to be used. Remove all stones, sticks, wire, and other foreign objects which could be tripped over and cause personal injury.

- c. When practical, remove gas-powered equipment from the truck or trailer and refuel it on the ground. If this is not possible, then refuel such equipment on a trailer with a portable container, rather than from a gasoline dispenser nozzle.
 - d. Keep the nozzle in contact with the rim of the fuel tank or container opening at all times until fueling is complete. Do not use a nozzle lock-open device.
 - e. Extinguish all cigarettes, cigars, pipes and other sources of ignition.
 - f. Never fuel machine indoors.
 - g. Never remove gas cap or add fuel while the engine is hot or running. Allow engine to cool at least two minutes before refueling.
 - h. Never over fill fuel tank. Fill tank to no more than ½ inch below bottom of filler neck to allow space for fuel expansion.
 - i. Replace gasoline cap and tighten securely.
 - j. If gasoline is spilled, wipe it off the engine and equipment. Move unit to another area. Wait 5 minutes before starting the engine.
 - k. To reduce fire hazards, keep machine free of grass, leaves, or other debris build-up. Clean up oil or fuel spillage and remove any fuel soaked debris.
 - l. Never store the machine or fuel container inside where there is an open flame, spark or pilot light as on a water heater, space heater, furnace, clothes dryer or other gas appliances.
- 11. After striking a foreign object, stop the engine, disconnect the spark plug wire and ground against the engine. Thoroughly inspect the machine for any damage. Repair the damage before starting and operating.
 - 12. Disengage all clutch levers (if fitted) and stop engine before you leave the operating position (behind the handles). Wait until the tines come to a complete stop before unclogging the tines, making any adjustments, or inspections.
 - 13. Never run an engine indoors or in a poorly ventilated area. Engine exhaust contains carbon monoxide, an odorless and deadly gas.
 - 14. Muffler and engine become hot and can cause a burn. Do not touch.
 - 15. Use caution when tilling near fences, buildings and underground utilities. Rotating tines can cause property damage or personal injury.
 - 16. Do not overload machine capacity by attempting to till soil too deep at too fast of a rate.
 - 17. If the machine should start making an unusual noise or vibration, stop the engine, disconnect the spark plug wire and ground it against the engine. Inspect thoroughly for damage. Repair any damage before starting and operating.
 - 18. Keep all shields, guards, and safety devices in place and operating properly.
 - 19. Never pick up or carry machine while the engine is running.
 - 20. Use only attachments and accessories approved by the manufacturer. Failure to do so can result in personal injury.
 - 21. If situations occur which are not covered in this manual, use care and good judgement. Contact Customer Support for assistance and the name of you nearest servicing dealer..

Operation

1. Do not put hands or feet near rotating parts. Contact with the rotating parts can amputate hands and feet.
2. Do not operate machine while under the influence of alcohol or drugs.
3. Never operate this machine without good visibility or light. Always be sure of your footing and keep a firm hold on the handles.
4. Keep bystanders away from the machine while it is in operation. Stop the machine if anyone enters the area.
5. Be careful when tilling in hard ground. The tines may catch in the ground and propel the tiller forward. If this occurs, let go of the handle bars and do not restrain the machine.
6. Exercise extreme caution when operating on or crossing gravel surfaces. Stay alert for hidden hazards or traffic. Do not carry passengers.
7. Never operate the machine at high transport speeds on hard or slippery surfaces.
8. Exercise caution to avoid slipping or falling.
9. Look down and behind and use care when in reverse or pulling machine towards you.
10. Start the engine according to the instructions found in this manual and keep feet well away from the tines at all times.

Maintenance & Storage

1. Keep machine, attachments and accessories in safe working order.
2. Allow a machine to cool at least five minutes before storing. Never tamper with safety devices. Check their proper operation regularly.
3. Check bolts and screws for proper tightness at frequent intervals to keep the machine in safe working condition. Also, visually inspect machine for any damage.
4. Before cleaning, repairing, or inspecting, stop the engine and make certain the tines and all moving parts have stopped. Disconnect the spark plug wire and ground it against the engine to prevent unintended starting.
5. Do not change the engine governor settings or over-speed the engine. The governor controls the maximum safe operating speed of engine.
6. Maintain or replace safety and instruction labels, as necessary.
7. Follow this manual for safe loading, unloading, transporting, and storage of this machine.
8. Always refer to the operator's manual for important details if the machine is to be stored for an extended period.

9. If the fuel tank has to be drained, do this outdoors.
10. Observe proper disposal laws and regulations for gas, oil, etc. to protect the environment.
11. According to the Consumer Products Safety Commission (CPSC) and the U.S. Environmental Protection Agency (EPA), this product has an *Average Useful Life* of seven (7) years, or 130 hours of operation. At the end of the *Average Useful Life* have the machine inspected annually by an authorized service dealer to ensure that all mechanical and safety systems are working properly and not worn excessively. Failure to do so can result in accidents, injuries or death.

Notice Regarding Emissions

Engines which are certified to comply with California and federal EPA emission regulations for SORE (Small Off Road Equipment) are certified to operate on regular unleaded gasoline, and may include the following emission control systems: Engine Modification (EM), Oxidizing Catalyst (OC), Secondary Air Injection (SAI) and Three Way Catalyst (TWC) if so equipped.

Spark Arrestor









WARNING! This machine is equipped with an internal combustion engine and should not be used on or near any unimproved forest-covered, brushcovered or grass-covered land unless the engine's exhaust system is equipped with a spark arrestor meeting applicable local or state laws (if any).

If a spark arrestor is used, it should be maintained in effective working order by the operator. In the State of California the above is required by law (Section 4442 of the California Public Resources Code). Other states may have similar laws. Federal laws apply on federal lands.

A spark arrestor for the muffler is available through your nearest engine authorized service dealer or contact the service department, P.O. Box 361131 Cleveland, Ohio 44136-0019.

Safety Symbols

This page depicts and describes safety symbols that may appear on this product. Read, understand, and follow all instructions on the machine before attempting to assemble and operate.

Symbol	Description
	READ THE OPERATOR'S MANUAL(S) Read, understand, and follow all instructions in the manual(s) before attempting to assemble and operate.
	WARNING— ROTATING TINES Do not put hands or feet near rotating parts. Contact with the rotating parts can amputate hands and feet.
	WARNING— ROTATING TINES Do not put hands or feet near rotating parts. Contact with the rotating parts can amputate hands and feet.
	WARNING—GASOLINE IS FLAMMABLE Allow the engine to cool at least two minutes before refueling.
	WARNING— CARBON MONOXIDE Never run an engine indoors or in a poorly ventilated area. Engine exhaust contains carbon monoxide, an odorless and deadly gas.
	WARNING— HOT SURFACE Engine parts, especially the muffler, become extremely hot during operation. Allow engine and muffler to cool before touching.



WARNING! Your Responsibility—Restrict the use of this power machine to persons who read, understand and follow the warnings and instructions in this manual and on the machine.

SAVE THESE INSTRUCTIONS!

Contents of Carton

- One Tiller
- One Operator's Manual
- One Handlebar Assembly
- One Engine Operator's Manual
- One Depth Gage Assembly

Assembly

References to the right and left side of tiller are determined from behind the equipment in the operating position.

Recommended Tools for Assembly

- One 1/2" open-end wrench
- One 3/8" open-end wrench
- Clean oil funnel
- Motor oil. Refer to the Engine Operator's Manual for oil specifications and quantity required.

Handle

1. Identify the forward clutch cable. Fig. 3-1.

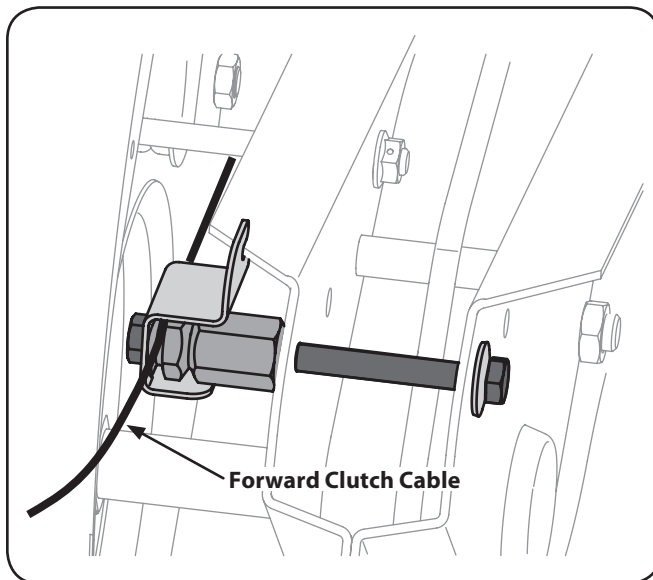


Figure 3-1

NOTE: Be sure not to kink cables while attaching.

2. Hook the "Z" end of the forward clutch cable into the tine engagement lever Fig. 3-2.

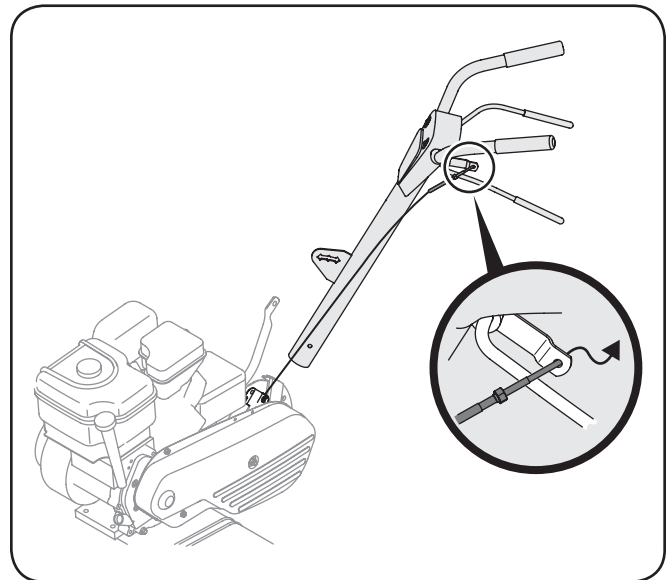


Figure 3-2

3. Remove the hex screw and bell washer from the right side of the frame. Hold the cable guide bracket on the left side of frame as it will fall when the bolt is removed. Step 1 in Fig. 3-3.

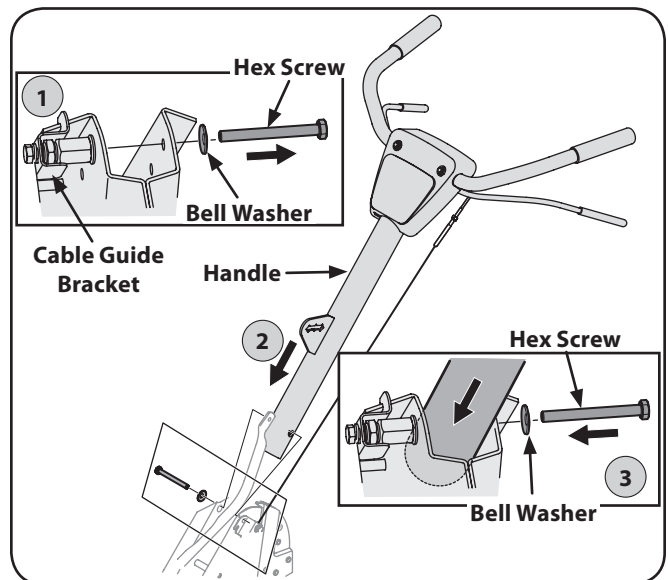


Figure 3-3

4. Insert the handle into tiller frame as shown. Step 2 in Fig. 3-3.
5. Insert the bolt through the cupped washer, frame, handle and into the cable guide bracket (note the notch in the cable guide bracket goes over the flange on the frame.) Step 3 in Fig. 3-3.

- Tighten the bolt securely after securing the handle brace as seen in Fig. 3-4.

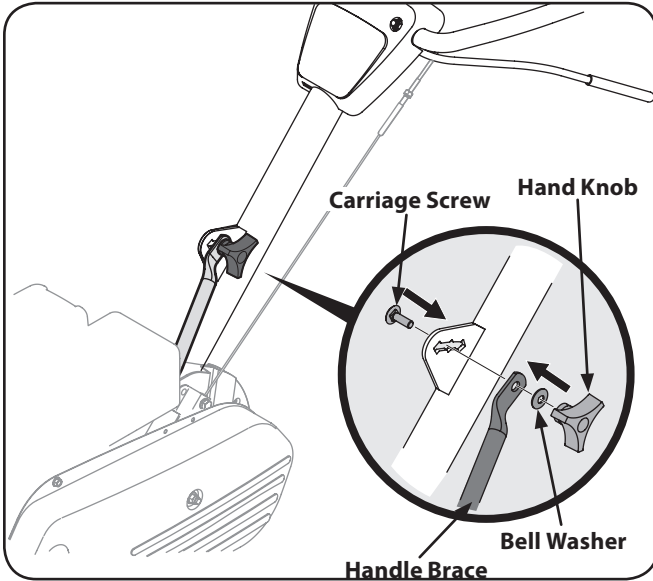


Figure 3-4

- Locate the carriage screw, bell washer and hand knob packed with your tiller.
- Insert the carriage screw through the bracket on the handle, bell washer, handle brace and into the hand knob. See Fig. 3-4.
- Select one of the three handle height positions (three notches in the welded handle bracket) and tighten the hand knob to secure the handle in the desired position. See Fig. 3-4. Return to the lower handle and tighten the hex bolt securely.

Depth Gauge

- Remove the two screws from the depth stake assembly. See Fig. 3-5.

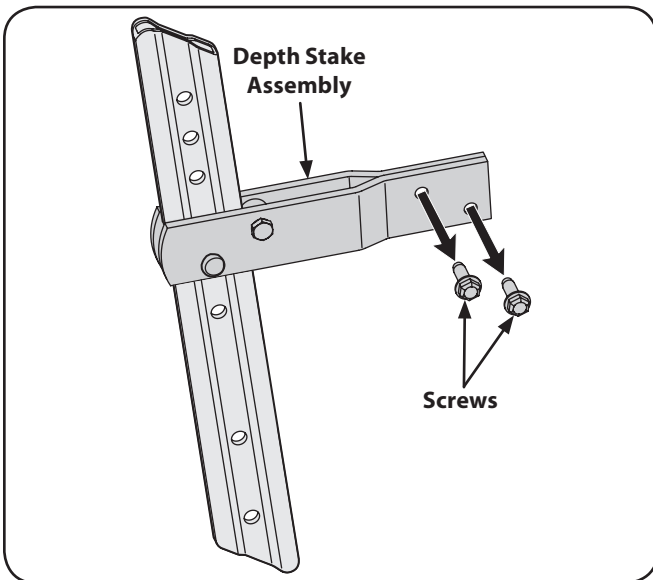


Figure 3-4

- Insert the depth stake assembly into the frame and reinstall the two screws removed earlier. Tighten the hex bolts securely. See Fig. 3-6.

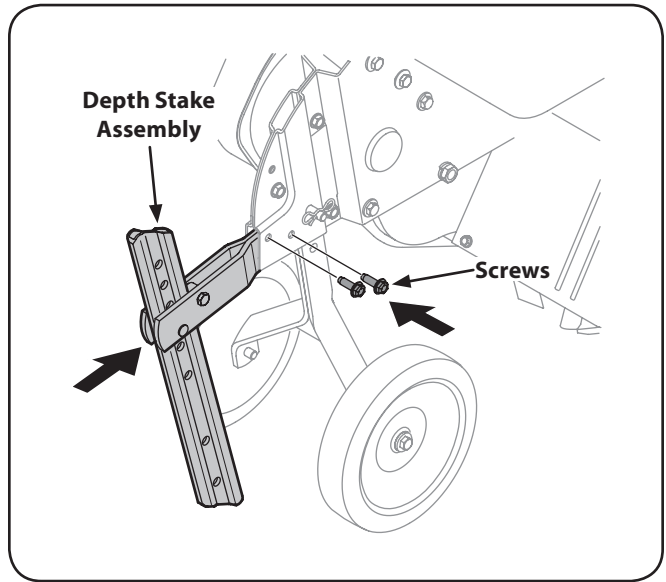


Figure 3-4

Secure the pin with the clip removed earlier. The depth stake can be placed at various positions. For setup purposes it is suggested that the depth stake be assembled with the stake just above or level with the ground surface. For further instructions on the Depth Stake refer to the Operation Section of this manual.

Adjustments

Wheels

The tiller is shipped with the wheels adjusted so that the machine sits level. The wheels need to be adjusted to meet your tilling needs before operation. This adjustment is made by removing the clevis pin from the wheel yoke and raising the wheels to the desired height. See Fig. 3-7.

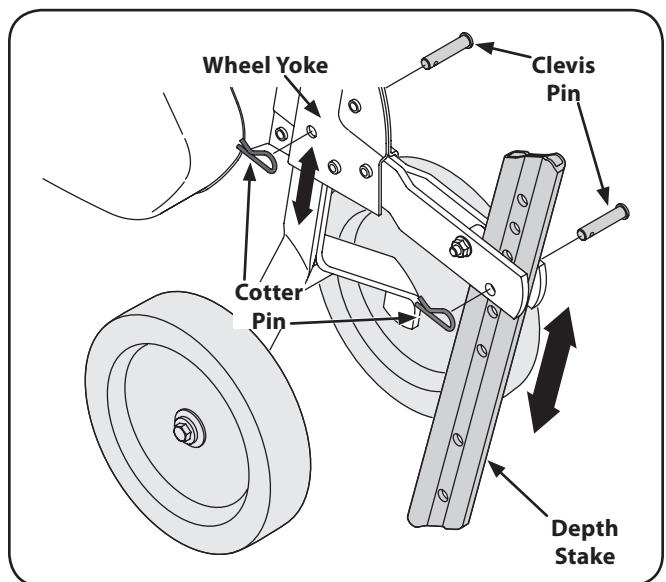


Figure 3-7

Clutch Cable Adjustment

Before operating the tiller the adjustment of the forward clutch cables must be checked.

1. Disconnect and ground the spark plug wire against the engine.
2. Adjust the forward clutch cable by loosening the hex nut. See Fig. 3-8.

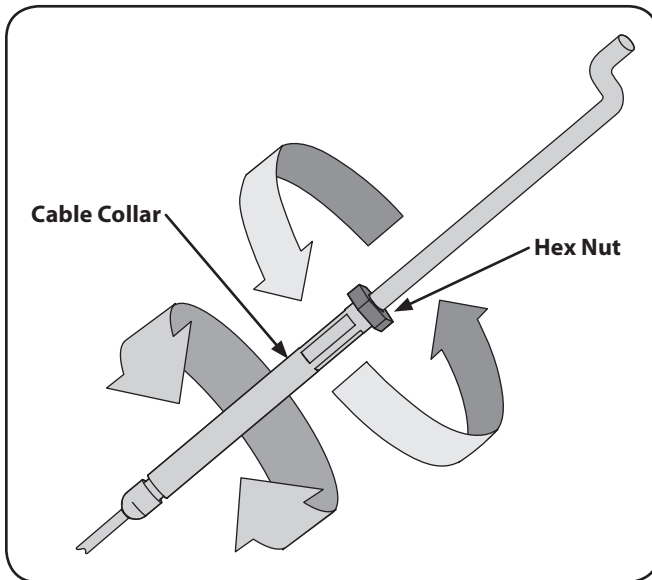


Figure 3-8

3. Turn the cable collar section one or two turns to increase or decrease tension on the cable. See Fig. 3-8.
4. Retighten the lock nut against the cable collar. See Fig. 3-8.
5. With the forward engagement handle in the neutral — released — position, pull the starter rope several times. The tines should not turn.
6. If they turn adjust the forward clutch cable to release tension using the previous steps in this section.
7. Check again for correct tension on the cable.
8. After tilling, if the tines stop moving, re-adjust the cables.

Set-Up

Gas & Oil Fill-Up

Service the Engine with gasoline and oil as instructed in the separate Engine Operator's Manual packed with your tiller. Read the instructions carefully.



WARNING! Use extreme care when handling gasoline. Gasoline is extremely flammable and the vapors are explosive. Never fuel the machine indoors or while the engine is hot or running.

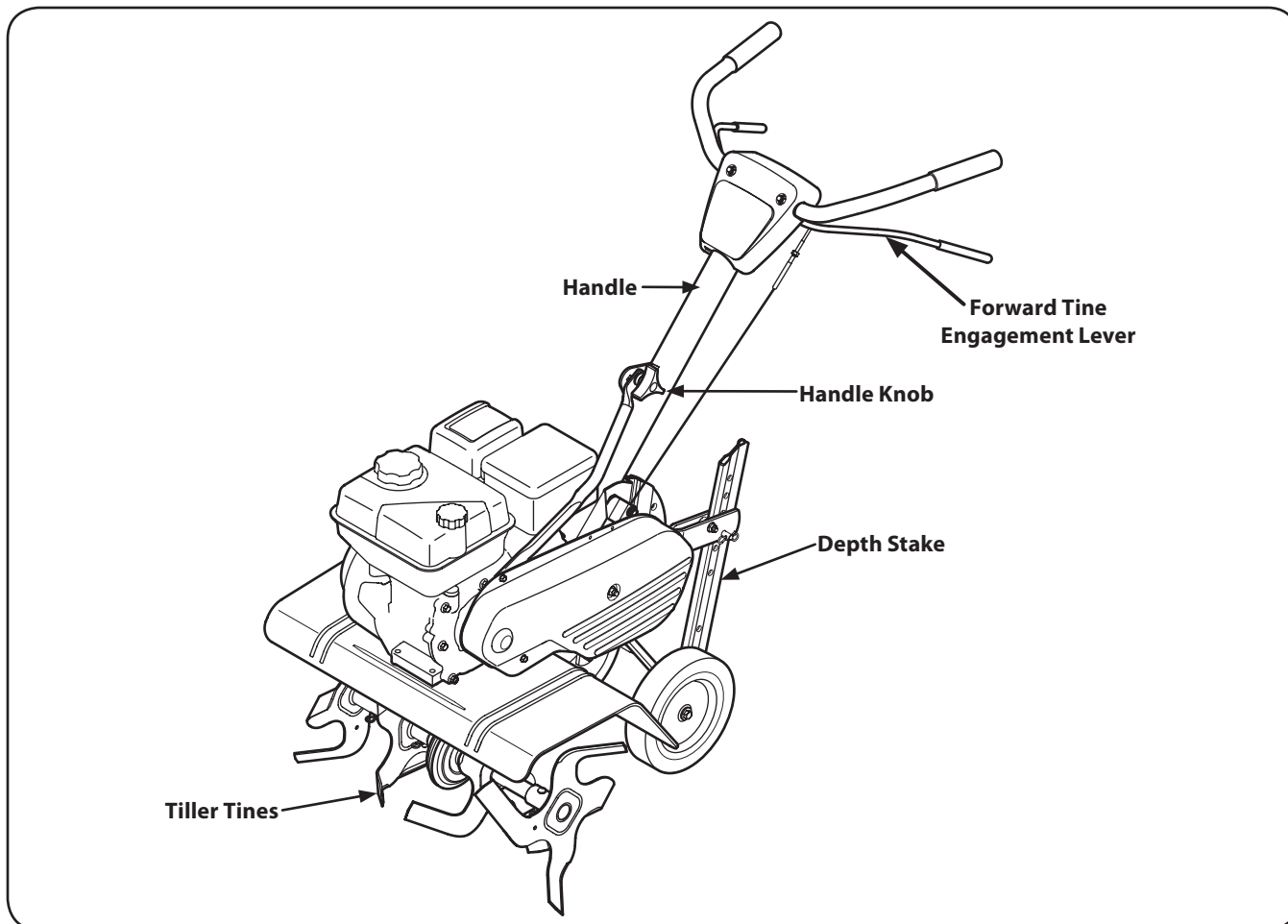


Figure 4-1

Engine Controls

See the separate Engine Operator's Manual for information and functions of the engine controls.

Forward Tine Engagement Lever

The forward tine control lever is located beneath the upper section of the handle. Squeezing the lever against the handle engages the tine drive. Release the lever to stop the tines.

Depth Stake

The depth stake controls the tilling depth.

Tiller Tines

Tilling tines are used to cultivate, furrow and prepare your garden for seeding.

Handle Knob

The handle height may be adjusted. Loosen the knob to change the position. Tighten hardware when complete.

Starting & Stopping the Engine



WARNING! Read, understand, and follow all the instructions and warnings posted on the machine and in this manual before operating.



WARNING! Be sure no one is standing in front of the tiller while the engine is running or being started.

1. Make sure that the tine clutch control is disengaged and refer to the Engine Operator's Manual for engine starting and stopping instructions.

Setting the Depth

Yoke Forward

Place the wheel yoke so that wheels are forward (nearest to tines) for shallow tilling, cultivating and transport. See Fig. 5-1.

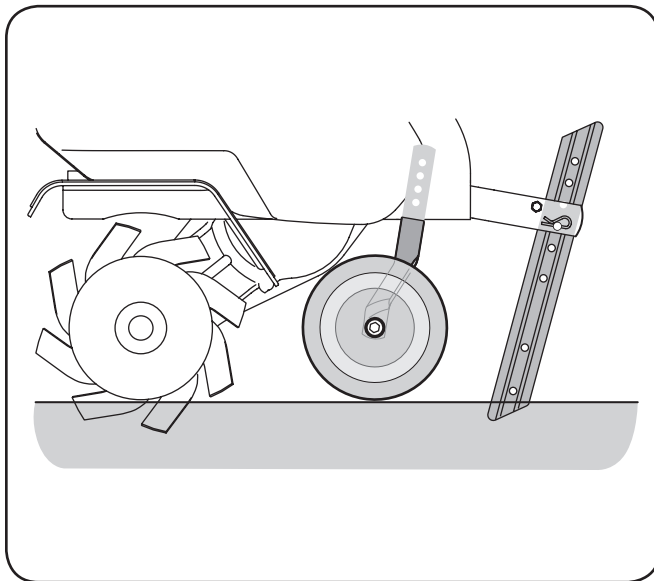


Figure 5-1

Yoke to Back

Place the wheel yoke so that wheels are toward the rear — closest to depth stake — for deep tilling and cultivating. See Fig. 5-2.

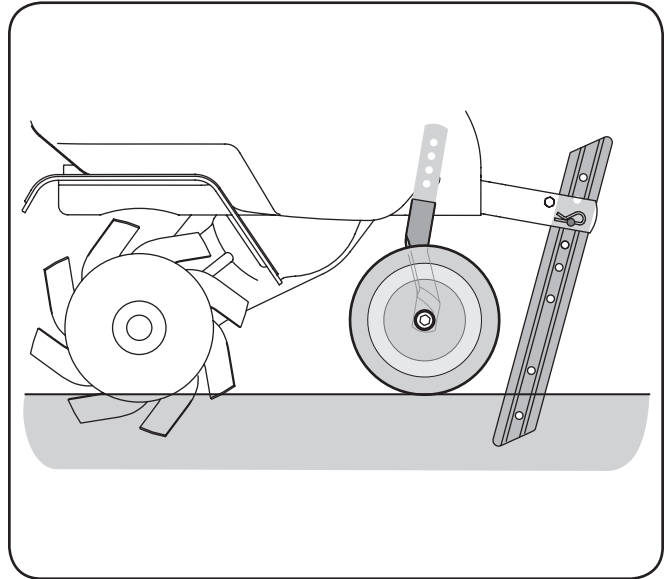


Figure 5-2

Depth Stake

The depth stake acts as a brake for the tiller and controls the depth and speed at which the machine will operate. Remove the clevis pin and hairpin clip to raise or lower depth stake. See Fig. 5-3.

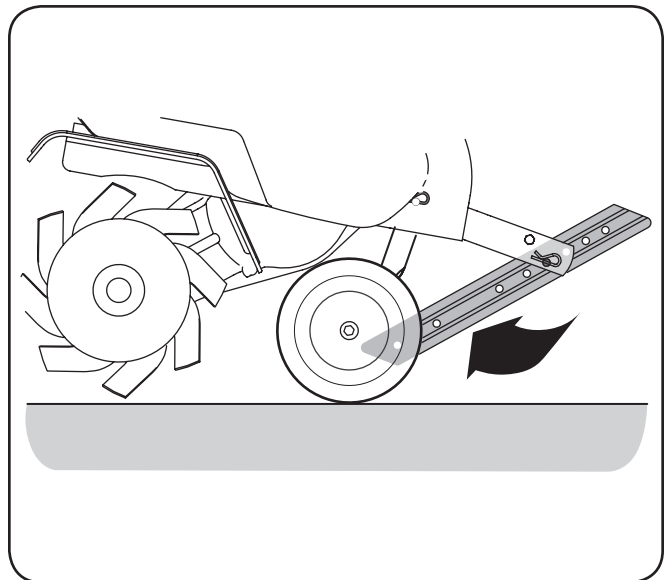


Figure 5-3

Handle Pressure

Further control of the tilling depth and travel speed can be obtained by variation of pressure on the handles.

A downward pressure on the handles will reduce the working depth and increase the forward speed. An upward pressure on the handles will increase the working depth and reduce the forward speed.

The type of soil and working conditions will determine the actual setting of the depth stake and the handle pressure required.

Transporting and Storing the Tiller

To transport and store the tiller move the throttle to the stop position. Pivot the depth stake away from ground up between wheels. See Fig. 5-3.

Using Your Tiller

Your tiller is designed for seed bed preparation, cultivating, furrowing and mulching.

Tilling Procedure

When tilling, leave approximately eight inches of untilled soil between the first and second tilling paths, then make the third path between the first and second, Fig. 5-4.

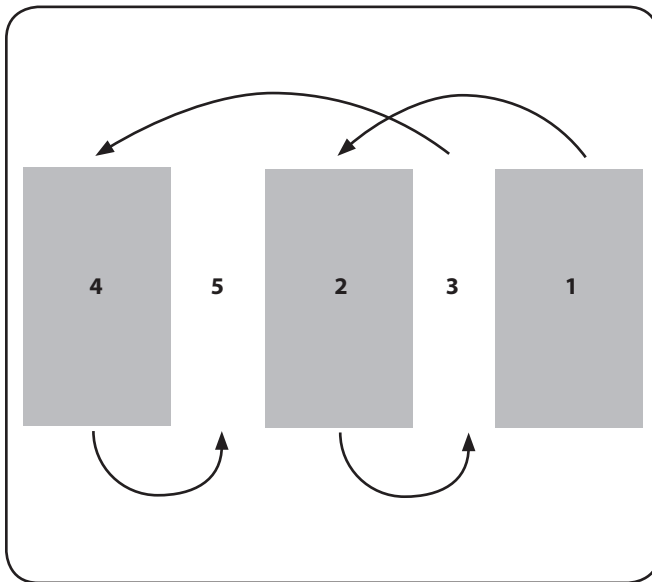


Figure 5-4

In some soils, the desired depth is obtained the first time over the garden. In other soils, the desired depth is obtained by going over the garden two or three times. Passes should be made across the length and width of the garden alternately. Rocks which are turned up should be removed from the garden area.

Cultivating Procedures

For cultivating, a two to three inch depth is desirable. The tine width can be reduced to 13 inches by removing the outer tines completely from the tiller. See the Maintenance & Adjustments Section for instructions on removing the tines.

When laying out plant rows, be sure to allow enough width to permit cultivation between the rows. In growing corn or similar crops, check-row planting will permit cross cultivation and practically eliminate hand hoeing. See Fig. 5-5.

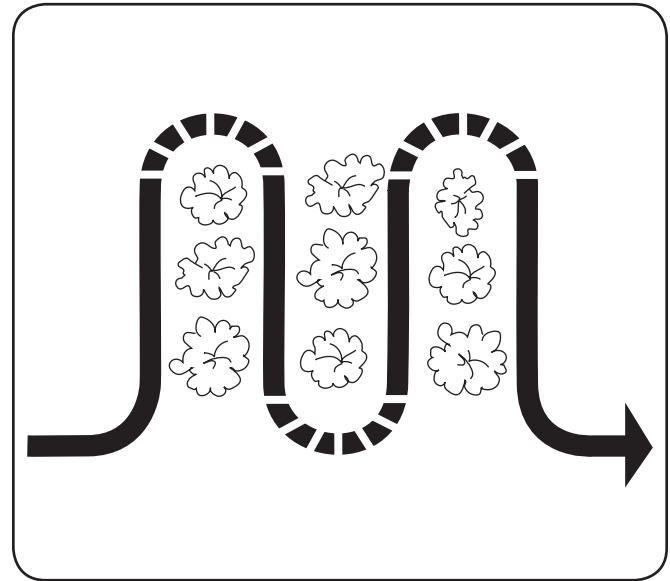


Figure 5-5

Other Uses

The tiller has many uses other than tilling and cultivating a garden. One of these is the preparation of lawn area for seeding. The tiller will prepare a deep seed bed which will be free of hard untilled spots, allowing a better stand of grass to grow. The tiller is very useful for loosening hard soil for excavation with a shovel; No tedious handwork will be necessary. Your tiller may be used for mixing compost in the pile or for mixing it with the soil in your garden. This should be done after the soil has been broken to the full working depth. The compost should be worked in to a depth of six to seven inches. This may be done by working the length of the garden and then by making separate passes across its width. The addition of decayed organic matter will substantially increase the fertility of your garden. For proper decaying action, fertilizer should be applied and worked in with the mulch materials. Breaking up leaves and straw and mixing it with several inches of soil allows proper aeration of the plant root system and retards the growth of weeds.



WARNING! Disconnect the spark plug wire and ground it against the engine before performing any repairs.

Maintenance

Engine

Refer to the separate Engine Operator's Manual for engine maintenance instructions.

Tines

Clean the underside of the tine shield after each use. The dirt washes off the tines easier if rinsed off immediately instead of after it dries. Always towel dry the tiller afterwards and apply a light coat of oil or silicone to prevent rusting or water damage.

NOTE: Never use a "pressure washer" to clean your tiller. Water can penetrate tight areas of the tiller and its chain case and cause serious damage to machine.

Lubrication

Pivot Points

Remove the belt cover and lubricate all the pivot points and linkages at least once a season with light oil. Keep the belts free of lubrication.

Tine Shafts

Remove the tine assemblies and lubricate the tine shafts at least once a season.

Wheel Shafts

Remove the wheel assemblies and lubricate the axle shafts at least once a season.

Chain Drive

The chain drive is pre-lubricated and sealed at factory.

Adjustments

Cable Adjustment

Refer to the Assembly & Set-Up section of this manual for instructions on adjusting the forward and reverse cables.

Tines

With the outer tines installed, the working width of the machine is 24 inches. This width may be expanded to 26 inches by removing the clevis and cotter pins, sliding each outer tine outward away from the center of the tiller and re-securing the pins in the holes provided. See Fig. 6-1.

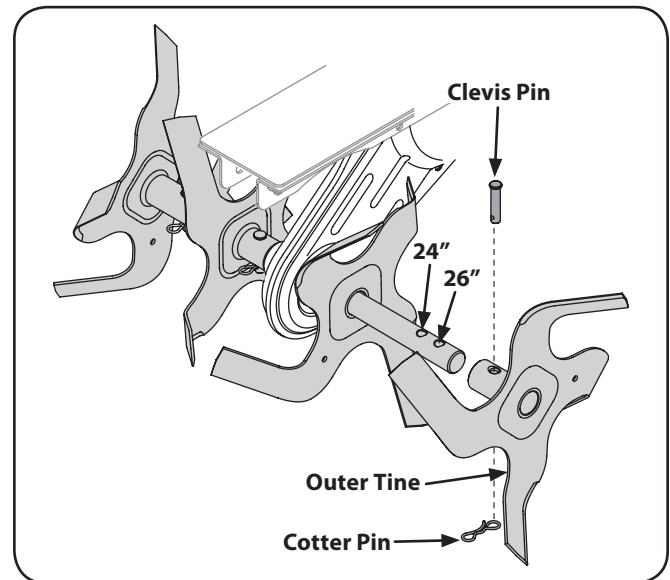


Figure 6-1

Off-Season Storage

If the tiller will not be used for a period longer than 30 days, the following steps should be taken to prepare the tiller for storage.

1. Clean the exterior of the engine and the entire tiller thoroughly. Lubricate the tiller as described in the lubrication instructions.
2. The use of pressure washers is not recommended for cleaning your tiller. They may cause damage to electric components, spindles, pulleys, bearings or the engine. The use of pressure washers will result in shortened life and reduce serviceability.
3. Refer to the engine manual for correct engine storage instructions.
4. Wipe tines with oiled rag to prevent rust.
5. Store tiller in a clean, dry area. Do not store next to corrosive materials, such as fertilizer.

NOTE: When storing any type of power equipment in an unventilated area or metal storage shed, care should be taken to rustproof the equipment. Using a light oil or silicone, coat the equipment and especially any springs, bearings, and cables.

Belt Replacement

Your tiller has been engineered with a belt made of special material (Kevlar Tensile) for longer life and better performance. It should not be replaced with an off-the-shelf belt. Order all belts through your authorized service dealer.

1. Disconnect and ground the spark plug wire against the engine.
2. Remove the belt cover from the left side of the tiller by removing the two hex washer screws and the lock nut and washer. See Fig. 7-1.

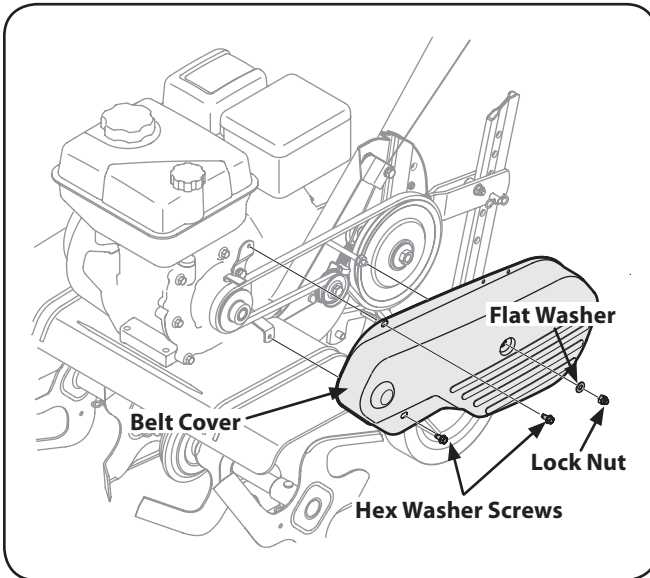


Figure 7-1

3. Remove the idler pulley bolt and move the belt from under the idler pulley keeper. See Fig. 7-2.

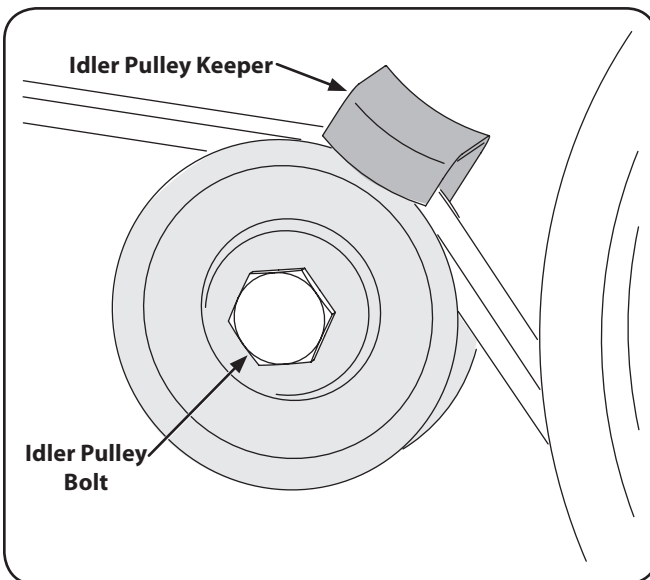


Figure 7-2

4. Using a 1/2" wrench, remove the hex screw securing the belt keeper to the engine. See Fig. 7-3.

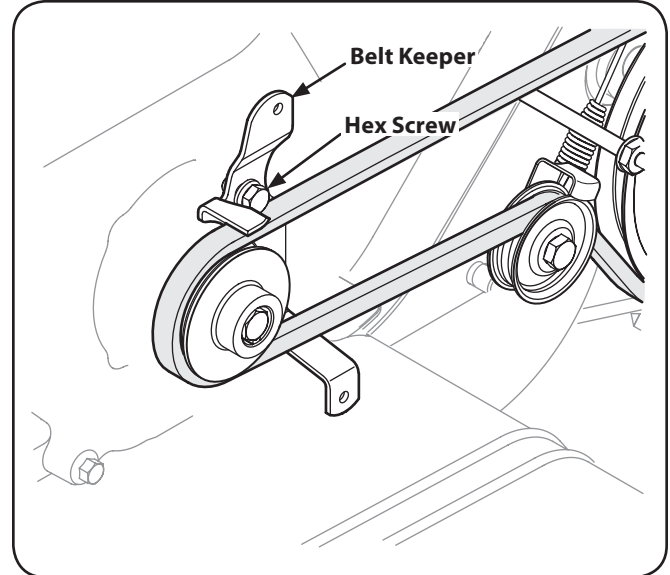


Figure 7-3

5. Remove the belt.
6. To install the new belt, follow the instructions in reverse order and refer to Fig. 7-4. Be sure to place the wider side of the belt away from the engine and transmission pulleys.

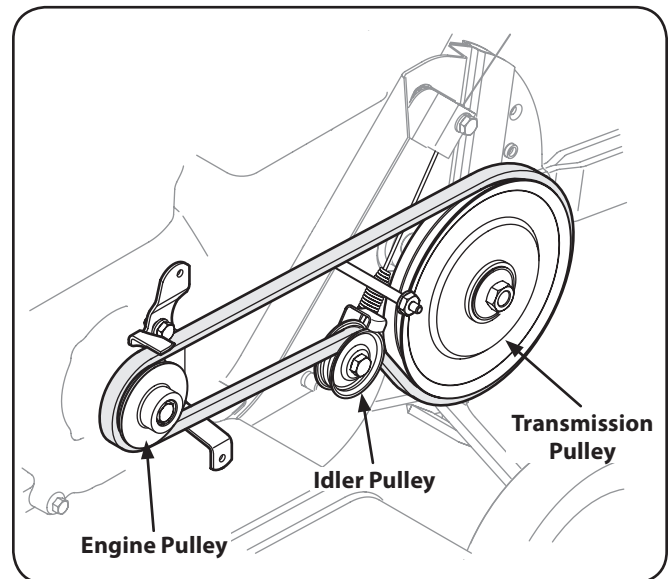
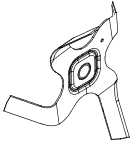
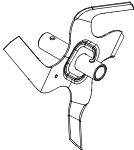
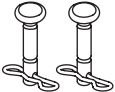
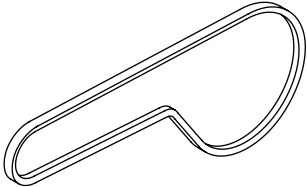
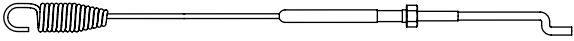
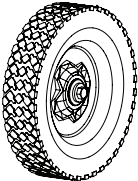


Figure 7-4

NOTE: Upon reassembly, make certain that the idler pulley keeper is as shown in Fig. 7-2. Take note of the notch on the bottom of the keeper and the alignment when reassembling with the replacement belt.

Problem	Cause	Remedy
Tines do not engage	<ol style="list-style-type: none"> 1. Foreign object lodged in tines 2. Tine clevis pin(s) missing 3. Pulley and idler not in correct adjustment 4. Control cable not adjusted properly 5. Belt worn and/or stretched 	<ol style="list-style-type: none"> 1. Dislodge foreign object 2. Replace tine clevis pin(s) 3. Take tiller to authorized service dealer 4. Adjust control cable 5. Replace belt
Tines skip over ground	<ol style="list-style-type: none"> 1. Improper rotation. 	<ol style="list-style-type: none"> 1. Forward rotation should only be used on soil that has already been tilled, not on virgin soil.
Wheels do not engage	<ol style="list-style-type: none"> 1. Clevis pin missing 2. Control cable not adjusted properly 3. Belt worn and/or stretched 	<ol style="list-style-type: none"> 1. Replace clevis pin 2. Adjust control cable 3. Replace belt

Component	Part Number and Description
	642-04104 Inner Right Hand Tine 642-04103 Inner Left Hand Tine
	642-04105 Outer Left Hand Tine 642-04106 Outer Right Hand Tine
	714-04043 Cotter Pin 911-0415 Clevis Pin
	954-0428 Drive Belt
	946-0918 Forward Cable
	734-04538 Wheels, 8 x 1.75

Phone (800) 965-4CUB to order replacement parts or a complete Parts Manual (have your full model number and serial number ready). Parts Manual downloads are also available free of charge at www.cubcadet.com.

MANUFACTURER'S LIMITED WARRANTY FOR



The limited warranty set forth below is given by Troy-Bilt LLC with respect to new merchandise purchased and used in the United States and/or its territories and possessions, and by MTD Products Limited with respect to new merchandise purchased and used in Canada and/or its territories and possessions (either entity respectively, "Troy-Bilt").

"Troy-Bilt" warrants this product (excluding its *Belts, Transmission and Attachments* as described below) against defects in material and workmanship for a period of two (2) years commencing on the date of original purchase and will, at its option, repair or replace, free of charge, any part found to be defective in materials or workmanship. This limited warranty shall only apply if this product has been operated and maintained in accordance with the Operator's Manual furnished with the product, and has not been subject to misuse, abuse, commercial use, neglect, accident, improper maintenance, alteration, vandalism, theft, fire, water, or damage because of other peril or natural disaster. Damage resulting from the installation or use of any part, accessory or attachment not approved by Troy-Bilt for use with the product(s) covered by this manual will void your warranty as to any resulting damage.

Belts are warranted to be free from defects in material and workmanship for a period of thirty (30) days from the date of purchase.

Transmission — Troy-Bilt warrants the transmission (including all gears, shafts and housings) against defects in material and workmanship for the life of the tiller, to the original purchaser only, commencing on the date of original purchase or lease.

Attachments — Troy-Bilt warrants attachments for this product against defects in material and workmanship for a period of one (1) year, commencing on the date of the attachment's original purchase or lease. Attachments include, but are not limited to items such as: grass collectors and mulch kits.

HOW TO OBTAIN SERVICE: Warranty service is available, WITH PROOF OF PURCHASE, through your local authorized service dealer. To locate the dealer in your area:

In the U.S.A.

Check your Yellow Pages, or contact Troy-Bilt LLC at P.O. Box 361131, Cleveland, Ohio 44136-0019, or call 1-866-840-6483, 1-330-558-7220 or log on to our Web site at www.troybilt.com.

In Canada

Contact MTD Products Limited, Kitchener, ON N2G 4J1, or call 1-800-668-1238 or log on to our Web site at www.mtdcanada.com.

This limited warranty does **not** provide coverage in the following cases:

- a. The engine or component parts thereof. These items may carry a separate manufacturer's warranty. Refer to applicable manufacturer's warranty for terms and conditions.

- b. Log splitter pumps, valves, and cylinders have a separate one-year warranty.
- c. Routine maintenance items such as lubricants, filters, blade sharpening, tune-ups, brake adjustments, clutch adjustments, deck adjustments, and normal deterioration of the exterior finish due to use or exposure.
- d. Service completed by someone other than an authorized service dealer.
- e. Troy-Bilt does not extend any warranty for products sold or exported outside of the United States and/or Canada, and their respective possessions and territories, except those sold through Troy-Bilt's authorized channels of export distribution.
- f. Replacement parts that are not genuine Troy-Bilt parts.
- g. Transportation charges and service calls.
- h. Troy-Bilt does not warrant this product for commercial use.

No implied warranty, including any implied warranty of merchantability or fitness for a particular purpose, applies after the applicable period of express written warranty above as to the parts as identified. No other express warranty, whether written or oral, except as mentioned above, given by any person or entity, including a dealer or retailer, with respect to any product, shall bind Troy-Bilt. During the period of the warranty, the exclusive remedy is repair or replacement of the product as set forth above.

The provisions as set forth in this warranty provide the sole and exclusive remedy arising from the sale. Troy-Bilt shall not be liable for incidental or consequential loss or damage including, without limitation, expenses incurred for substitute or replacement lawn care services or for rental expenses to temporarily replace a warranted product.

Some states do not allow the exclusion or limitation of incidental or consequential damages, or limitations on how long an implied warranty lasts, so the above exclusions or limitations may not apply to you.

In no event shall recovery of any kind be greater than the amount of the purchase price of the product sold. **Alteration of safety features of the product shall void this warranty.** You assume the risk and liability for loss, damage, or injury to you and your property and/or to others and their property arising out of the misuse or inability to use the product.

This limited warranty shall not extend to anyone other than the original purchaser or to the person for whom it was purchased as a gift.

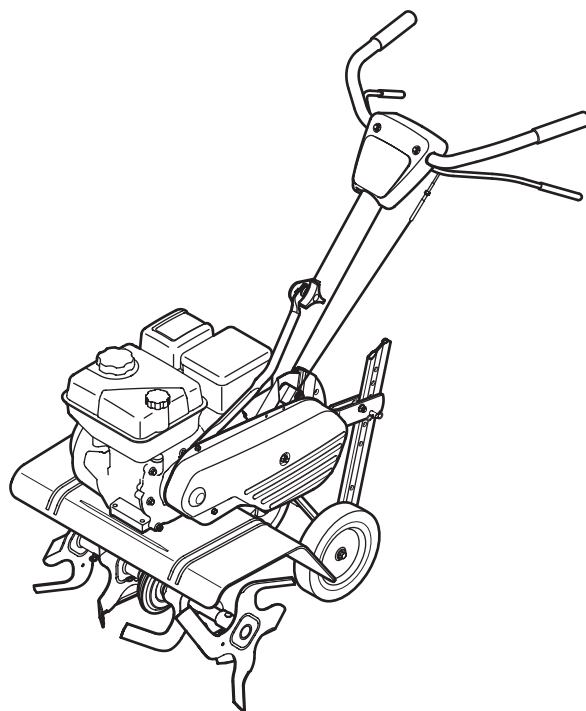
HOW STATE LAW RELATES TO THIS WARRANTY: This limited warranty gives you specific legal rights, and you may also have other rights which vary from state to state.

IMPORTANT: Owner must present Original Proof of Purchase to obtain warranty coverage.

**Troy-Bilt LLC, P.O. BOX 361131 CLEVELAND, OHIO 44136-0019; Phone: 1-866-840-6483, 1-330-558-7220
MTD Canada Limited - KITCHENER, ON N2G 4J1; Phone 1-800-668-1238**



MANUAL DEL OPERADOR



Cultivadora de dientes frontales – Serie 340

⚠ ADVERTENCIA

**LEA Y SIGA TODAS LAS INSTRUCCIONES DE ESTE MANUAL ANTES DE PONER EN
FUNCIONAMIENTO ESTA MÁQUINA.
SI NO RESPETA ESTAS INSTRUCCIONES PUEDE PROVOCAR LESIONES PERSONALES.**

TROY-BILT LLC, P.O. BOX 361131 CLEVELAND, OHIO 44136-0019

Gracias

Gracias por comprar una Troy-Bilt cultivadora de jardín. La misma ha sido diseñada cuidadosamente para brindar excelente rendimiento si se la opera y mantiene correctamente.

Por favor lea todo este manual antes de operar el equipo. Le indica cómo configurar, operar y mantener la máquina con seguridad y fácilmente. Por favor asegúrese de seguir cuidadosamente y en todo momento las prácticas de seguridad recomendadas, y hacérselas seguir a cualquier otra persona que opere la máquina. En caso de no hacerlo podrían producirse lesiones personales o daños materiales.

Toda la información contenida en este manual hace referencia a la más reciente información de producto disponible en el momento de la impresión. Revise el manual frecuentemente para familiarizarse con la unidad, sus características y funcionamiento. Por favor tenga en cuenta que este Manual del Operador puede cubrir una gama de especificaciones de productos de diferentes modelos. Las características y funciones incluidas y/o ilustradas en este manual pueden no ser aplicables a todos los modelos. Reservamos el derecho de modificar las especificaciones de los productos, los diseños y el equipo

estándar sin previo aviso y sin generar responsabilidad por obligaciones de ningún tipo.

Si tiene algún problema o duda respecto a la unidad, llame a un distribuidor de servicio Troy-Bilt autorizado o póngase en contacto directamente con nosotros. Los números de teléfono, dirección del sitio web y dirección postal de la Asistencia al Cliente de Troy-Bilt se encuentran en esta página. Queremos garantizar su entera satisfacción en todo momento.

En este manual, las referencias al lado *derecho* o *izquierdo* de la máquina se observan desde la posición del operador.

El fabricante del motor es el responsable de todas las cuestiones relacionadas con el rendimiento, potencia de salida, especificaciones, garantía y mantenimiento del motor. Para obtener mayor información consulte el Manual del Propietario / Operador entregado por el fabricante del motor, que se envía, en un paquete por separado, junto con su unidad.

Índice

Importante Medidas importantes de seguridad..	3	Mantenimiento y Ajustes.....	13
Ensamblado y Configuración.....	7	Servicio.....	14
Controles y Características.....	10	Solución de Problemas	15
Funcionamiento	11	Garantía	Contraportada

Registro de información de producto

Antes de configurar y hacer funcionar su equipo nuevo, por favor localice la placa de modelo en el equipo y registre la información en el espacio de la derecha. Para encontrar la placa de modelo, colóquese de pie en la posición del operador y mire hacia abajo en el protector de dientes. Si tiene que solicitar soporte técnico a través de nuestro sitio web, el Departamento de Asistencia al Cliente, o de un distribuidor de servicio autorizado local, necesitará esta información.

NÚMERO DE MODELO

--	--	--	--	--	--	--	--	--	--	--	--

NÚMERO DE SERIE

--	--	--	--	--	--	--	--	--	--	--	--

Asistencia al Cliente

Por favor, NO devuelva la unidad al minorista o distribuidor sin ponerse en contacto primero con el Departamento de Asistencia al Cliente.

En caso de tener problemas para montar este producto o de tener dudas con respecto a los controles, funcionamiento o mantenimiento del mismo, puede solicitar la ayuda de expertos. Elija entre las opciones que se presentan a continuación:

◇ Visite nuestro sitio web en www.troybilt.com



Ver Vídeos demostrativos de instalación de mantenimiento y piezas en www.troybilt.com/Tutorials

◇ Llame a un representante de Asistencia al Cliente al (800) 828-5500 ó (330) 558-7220

◇ Escribanos a Troy-Bilt LLC • P.O. Box 361131 • Cleveland, OH • 44136-0019



¡ADVERTENCIA! La presencia de este símbolo indica que se trata de instrucciones importantes de seguridad que se deben respetar para evitar poner en peligro su seguridad personal y/o material y la de otras personas. Lea y siga todas las instrucciones de este manual antes de poner en funcionamiento esta máquina. Si no respeta estas instrucciones puede provocar lesiones personales.

Cuando vea este símbolo. **¡TENGA EN CUENTA LAS ADVERTENCIAS!**

PROPOSICIÓN 65 DE CALIFORNIA



¡ADVERTENCIA! El escape del motor de este producto, algunos de sus componentes y algunos componentes del vehículo contienen o liberan sustancias químicas que el estado de California considera que pueden producir cáncer, defectos de nacimiento u otros problemas reproductivos.



¡ADVERTENCIA! Los bornes de la batería y los accesorios afines contienen plomo y compuestos de plomo, sustancias químicas que según lo establecido por el Estado de California causan cáncer y daños en el sistema reproductivo. *Lávese las manos después de estar en contacto con estos componentes.*



¡PELIGRO! Esta máquina está diseñada para ser utilizada respetando las normas de seguridad contenidas en este manual. Al igual que con cualquier tipo de equipo motorizado, un descuido o error por parte del operador puede producir lesiones graves. Esta máquina es capaz de amputar dedos (de las manos y/o los pies), manos y pies. De no respetar las instrucciones de seguridad siguientes se pueden producir lesiones graves o la muerte.

Capacitación

1. Lea, entienda y cumpla todas las instrucciones incluidas en la máquina y en el(los) manual(es) antes de intentar realizar el montaje de la unidad y utilizarla. Guarde este manual en un lugar seguro para consultas futuras y periódicas, así como para solicitar repuestos.
2. Familiarícese con todos los controles y con el uso adecuado de los mismos. Sepa cómo detener la máquina y desactivar los controles rápidamente.
3. No permita nunca que los niños menores de 14 años utilicen esta máquina. Los niños de 14 años en adelante deben leer y entender las instrucciones de operación y normas de seguridad contenidas en este manual y en la máquina y deben ser entrenados y supervisados por un adulto.
4. Nunca permita que los adultos operen esta máquina sin recibir antes la instrucción apropiada.
5. Mantenga el área de operación despejada de personas, particularmente de niños pequeños y mascotas. Detenga la máquina si alguien se acerca.

Preparativos

1. Inspeccione minuciosamente el área donde utilizará el equipo. Quite las piedras, palos, alambres y otros objetos extraños con los que se pueda tropezar y provocar lesiones personales.
2. Utilice zapatos de trabajo resistentes, de suela fuerte, así como pantalones y camisas ajustados. Las prendas sueltas y las alhajas se pueden enganchar en las piezas móviles. Nunca opere la máquina descalzo o con sandalias.
3. Antes de arrancar el motor, desenganche las palancas del embrague y desplácelas (en caso de haber) a la posición neutral ("N").
4. Nunca deje la máquina en funcionamiento sin vigilancia.
5. Nunca intente realizar ajustes mientras el motor está en marcha excepto en los casos específicamente recomendados en el manual del operador.

Manejo seguro de la gasolina:

Para evitar lesiones personales o daños materiales tenga mucho cuidado cuando trabaje con gasolina. La gasolina es sumamente inflamable y sus vapores pueden causar explosiones. Si se derrama gasolina encima o sobre la ropa se puede lesionar gravemente ya que se puede incendiar. Lávese la piel y cámbiese de ropa de inmediato.

- a. Utilice sólo los recipientes para gasolina autorizados.
- b. Nunca llene los recipientes en el interior de un vehículo o camión o caja de remolque con recubrimiento plástico. Antes de llenarlos, coloque siempre los recipientes en el suelo y lejos del vehículo.
- c. Cuando sea factible, retire el equipo a gasolina del camión o remolque y llénelo en el suelo. Si esto no es posible, llene el equipo en un remolque con un contenedor portátil, en vez de hacerlo con una boquilla dispensadora de gasolina.
- d. Mantenga la boquilla de llenado en contacto con el borde del depósito de combustible o con la abertura del recipiente en todo momento, hasta terminar la carga. No utilice un dispositivo de boquilla de apertura/cierre.
- e. Apague todos los cigarrillos, cigarros, pipas y otras fuentes de combustión.
- f. Nunca cargue combustible en la máquina en un espacio cerrado.
- g. Nunca saque la tapa de la gasolina ni agregue combustible mientras el motor está caliente o en marcha. Deje que el motor se enfríe por lo menos dos minutos antes de volver a cargar combustible.
- h. Nunca llene en exceso el depósito de combustible. Llene el tanque no más de ½ pulgada por debajo de la base del cuello del tapón de carga, para dejar espacio para la expansión del combustible.
- i. Vuelva a colocar la tapa de la gasolina y ajústela bien.
- j. Limpie el combustible que se haya derramado sobre el motor y el equipo. Traslade la máquina a otra zona. Espere 5 minutos antes de encender el motor.
- k. Para reducir el riesgo de incendio, mantenga la máquina limpia de pasto, hojas y de acumulación de otros residuos. Limpie los derrames de aceite o combustible y saque todos los residuos embebidos en combustible.
- l. Nunca guarde la máquina o el recipiente de combustible en un espacio cerrado donde haya fuego, chispas o luz piloto, como por ejemplo de calentadores de agua, calefactores de ambientes, hornos, secadores de ropa u otros aparatos a gas.

Funcionamiento

1. No coloque las manos ni los pies cerca de las piezas giratorias. El contacto con las piezas giratorias puede resultar en la amputación de manos o pies.
2. No utilice la máquina bajo la influencia del alcohol o las drogas.
3. Nunca opere esta máquina sin buena visibilidad o iluminación. Siempre debe estar seguro de que está bien afirmado y sujetando firmemente las manijas.
4. Mantenga a los transeúntes alejados de la máquina mientras la misma está en funcionamiento. Detenga la máquina si alguien se acerca.

5. Tenga cuidado cuando labore tierras duras. Los dientes pueden clavarse en la tierra e impulsar la cultivadora hacia adelante. Si esto ocurre, suelte el manubrio y deje la máquina libre.
6. Sea sumamente precavido cuando opere la máquina sobre una superficie con grava o cuando la cruce. Manténgase alerta por si se presentan peligros ocultos o tránsito. No transporte pasajeros.
7. Nunca utilice la máquina a altas velocidades de desplazamiento sobre superficies duras o resbaladizas.
8. Tenga cuidado para evitar resbalar o caerse.
9. Mire hacia abajo y hacia atrás y tenga cuidado cuando se desplace en marcha atrás o cuando jale de la máquina hacia usted.
10. Arranque el motor de acuerdo con las instrucciones del manual y mantenga los pies alejados de los dientes en todo momento.
11. Después de golpear con algún objeto extraño, detenga el motor, desconecte el cable de la bujía y conecte el motor a masa. Inspeccione minuciosamente la máquina para ver si está dañada. Repare el daño antes de arrancar y utilizar la máquina.
12. Desenganche todas las palancas de embrague (en caso de haber) y detenga el motor antes de dejar la posición de operación (detrás de las manijas). Espere hasta que los dientes se detengan completamente antes de limpiarlos, hacer algún ajuste o inspeccionarlos.
13. Nunca encienda el motor en espacios cerrados o en una zona con poca ventilación. El escape del motor contiene monóxido de carbono, un gas inodoro y letal.
14. El silenciador y el motor se calientan y pueden causar quemaduras. No los toque.
15. Tenga precaución cuando labore terreno cerca de vallas, edificios y servicios subterráneos. Los dientes rotatorios pueden causar daños materiales o lesiones personales.
16. No sobrecargue la capacidad de la máquina intentando labrar el suelo a un nivel demasiado profundo o a una velocidad demasiado rápida.
17. Si la máquina arranca haciendo un sonido o una vibración rara, detenga el motor, desconecte el cable de la bujía y conéctelo a masa contra el motor. Inspeccione la máquina minuciosamente para ver si está dañada. Repare todos los daños antes de encender y operar la máquina.
18. Mantenga todos los escudos, protectores y dispositivos de seguridad en su lugar y en correcto funcionamiento.
19. Nunca levante o transporte la máquina cuando el motor está encendido.
20. Use sólo aditamentos y accesorios aprobados por el fabricante. Si no lo hace, pueden producirse lesiones personales.
21. Si se presentan situaciones que no están previstas en este manual, tenga cuidado y use el sentido común. Póngase en contacto con Asistencia al Cliente para solicitar ayuda y el nombre del distribuidor de servicio más cercano.

Mantenimiento y Almacenamiento

1. Mantenga la máquina, los aditamentos y accesorios en condiciones de funcionamiento seguro.
2. Deje que la máquina se enfríe por lo menos cinco minutos antes de guardarla. Nunca altere los dispositivos de seguridad. Controle periódicamente que funcionen correctamente.
3. Controle frecuentemente que todos los pernos y tornillos estén bien ajustados para comprobar que la máquina se encuentra en condiciones seguras de funcionamiento. Además, haga una inspección visual de la máquina para verificar si está dañada.

4. Antes de limpiar, reparar o inspeccionar la máquina, detenga el motor y asegúrese de que los dientes y todas las partes móviles se hayan detenido. Desconecte el cable de la bujía y póngalo haciendo masa contra el motor para evitar que se encienda accidentalmente.
5. No cambie la configuración del regulador del motor ni lo opere a sobrevelocidad. El regulador del motor controla la velocidad máxima de funcionamiento seguro del motor.
6. Mantenga o reemplace las etiquetas de seguridad e instrucciones según sea necesario.
7. Siga las instrucciones de este manual para cargar, descargar, transportar y almacenar de manera segura esta máquina.
8. Si la máquina se va a almacenar por un período prolongado, consulte siempre el manual del operador para ver los detalles importantes que sean necesarios.
9. Si debe vaciar el tanque de combustible, hágalo al aire libre.
10. Respete las normas referentes a la disposición correcta de residuos y las reglamentaciones sobre gasolina, aceite, etc. para proteger el medio ambiente.
11. Según la Comisión de Seguridad de Productos para el Consumidor de los Estados Unidos (CPSC) y la Agencia de Protección Ambiental de los Estados Unidos (EPA), este producto tiene una *vida útil media* de siete (7) años ó 130 horas de funcionamiento. Al finalizar la *vida útil media*, adquiera una máquina nueva o haga inspeccionar anualmente esta unidad por un distribuidor de servicio autorizado para cerciorarse de que todos los sistemas mecánicos y de seguridad funcionan correctamente y no tienen excesivo desgaste. Si no lo hace, pueden producirse accidentes, lesiones o la muerte.

Aviso referido a emisiones

Los motores que están certificados y cumplen con las regulaciones de emisiones federales EPA y de California para SORE (Equipos pequeños todo terreno) están certificados para operar con gasolina común sin plomo y pueden incluir los siguientes sistemas de control de emisiones: Modificación de motor (EM) y catalizador de tres vías (TWC) si están equipados de esa manera.

Amortiguador de chispas








¡ADVERTENCIA! Esta máquina está equipada con un motor de combustión interna y no debe ser utilizada en un terreno agreste cubierto por bosque, malezas o hierba ni cerca del mismo excepto que el sistema de escape del motor esté equipado con un amortiguador de chispas que cumpla con las leyes locales o estatales correspondientes (en caso de haber).

Si se utiliza un amortiguador de chispas el operador lo debe mantener en condiciones de uso adecuadas. En el Estado de California las medidas anteriormente mencionadas son exigidas por ley (Artículo 4442 del Código de Recursos Públicos de California). Es posible que existan leyes similares en otros estados. Las leyes federales se aplican en territorios federales. Puede conseguir el amortiguador de chispas para el silenciador a través de su distribuidor de mantenimiento de motores autorizado más cercano o poniéndose en contacto con el departamento de servicios, Apartado Postal 361131 Cleveland, Ohio 44136-0019.

Símbolos de Seguridad

Esta página describe los símbolos y figuras de seguridad internacionales que pueden aparecer en este producto. Lea el manual del operador para obtener la información terminada sobre seguridad, reunirse, operación y mantenimiento y reparación.

Símbolo	Descripción
	LEA EL MANUAL DEL OPERADOR (S) Lea, entienda, y siga todas las instrucciones en el manual (es) antes de intentar reunirse y funcionar.
	LA ADVERTENCIA — LOS DIENTES ROTATIVO No ponga manos o pies cerca del giro de partes. Contacto con las partes rotativas puede amputar manos y pies.
	LA ADVERTENCIA — LOS DIENTES ROTATIVO No ponga manos o pies cerca del giro de partes. Contacto con las partes rotativas puede amputar manos y pies.
	GASOLINA DE ADVERTENCIA ES INFLAMABLE Permita que el motor se enfríe al menos dos minutos antes del reabastecimiento de combustible.
	ADVERTENCIA — MONÓXIDO DE CARBONO Nunca dirijas un motor dentro o en un área mal ventilada. Los gases de combustión de motor contienen el monóxido de carbono, un gas inodoro y mortal.
	ADVERTENCIA — SUPERFICIE CALIENTE Las partes del motor, especialmente el silenciador, llega a ser muy caliente durante la operación. Permita motor y silenciador para ponerse frío antes de tocar.



¡ADVERTENCIA! Su responsabilidad—Restrinja el uso de esta máquina motorizada a las personas que lean, comprendan y respeten las advertencias e instrucciones que figuran en este manual y en la máquina.

GUARDE ESTAS INSTRUCCIONES

Contenido de la caja de cartón

- Una cultivadora
- Un conjunto de barra de control
- Un conjunto de calibrador de profundidad
- Un Manual de operación
- Un Manual de operación del motor

Montaje

Las referencias al lado derecho o izquierdo de la cultivadora se determinan desde la parte posterior de la unidad en la posición de operación.

Herramientas recomendadas para la Asamblea

- Una ½" llave de boca
- Una ⅜" llave de boca
- Embudo de aceite limpio
- El aceite de motor. Consulte el manual del operador del motor de las especificaciones del aceite y la cantidad requerida.

Mango

1. Identifique el cable del embrague de marcha hacia adelante. Fig. 3-1.

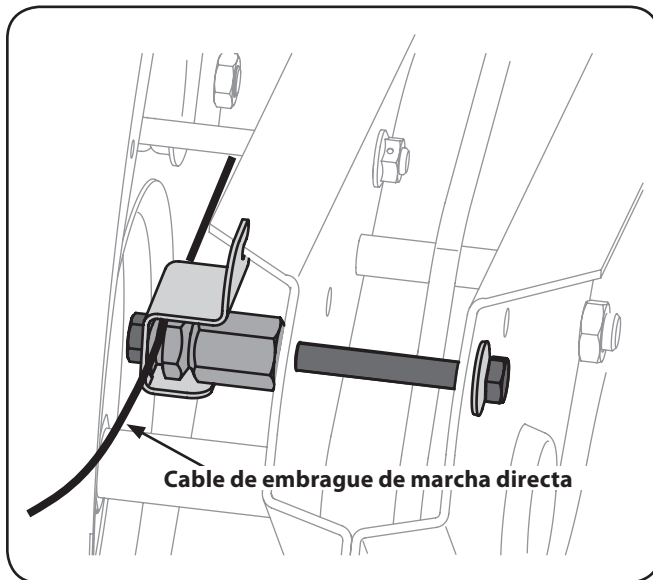


Figura 3-1

NOTA: Asegúrese de no torcer los cables mientras realiza la instalación.

2. Enganche el extremo "Z" del cable del embrague de marcha adelante en la palanca de enganche de los dientes. Fig. 3-2.

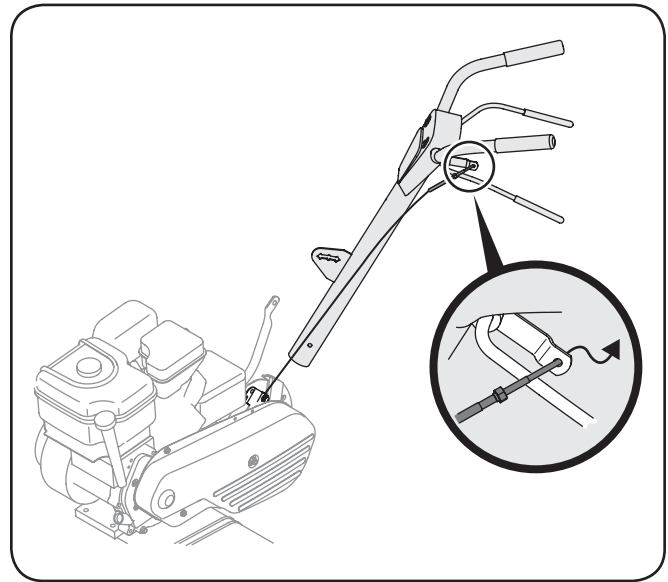


Figura 3-2

3. Retire el tornillo hexagonal y la arandela campana del lado derecho del bastidor. Sostenga la ménsula de la guía del cable del lado izquierdo del bastidor ya que se caerá al quitar el perno. Paso 1 en la Fig. 3-3.

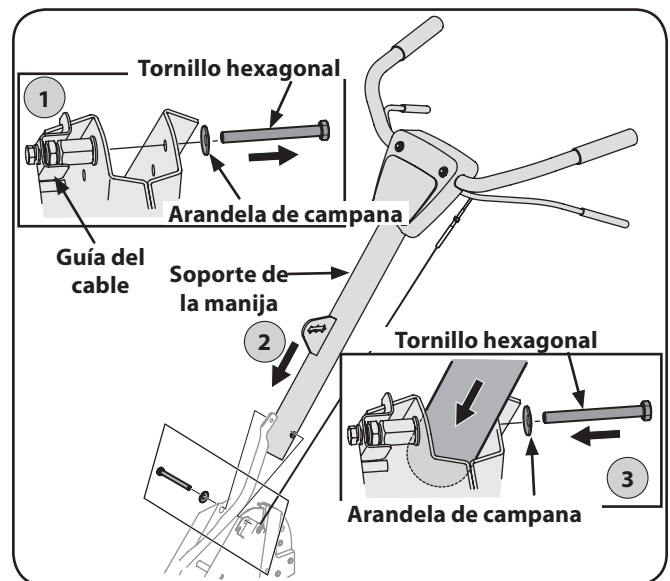


Figura 3-3

4. Inserte la manija en el bastidor de la cultivadora según se muestra. Paso 2 en la Fig. 3-3.
5. Inserte el perno a través de la arandela cónica, el bastidor, la manija y dentro de la ménsula de guía del cable (observe que la muesca de la ménsula de la guía del cable pasa por encima de la brida sobre el bastidor). Paso 3 en la Fig. 3-3.

- Asegure el perno después de ajustar la traba de la manija como se muestra en la Fig. 3-4.

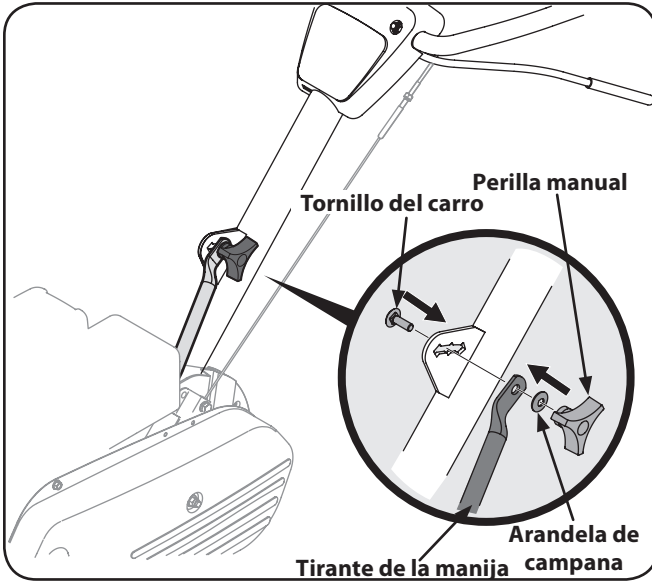


Figura 3-4

- Ubique el perno de carro, la arandela de campana y la perilla de mano empaquetados con su cultivadora.
- Inserte el perno de carro a través del soporte soldado de la manija, la arandela campana, la traba de la manija, y dentro de la perilla de mano. Vea la Fig. 3-4.
- Seleccione una de las tres posiciones para la altura de la manija (tres muescas en la ménsula soldada de la manija), y ajuste la perilla de mano para fijar la manija en la posición deseada. Vea la Fig. 3-4. Regrese a la manija inferior y ajuste el perno hexagonal firmemente.

medida de la profundidad

- Quite los dos tornillos de la asamblea la estaca de profundidad. Vea la Fig. 3-5.

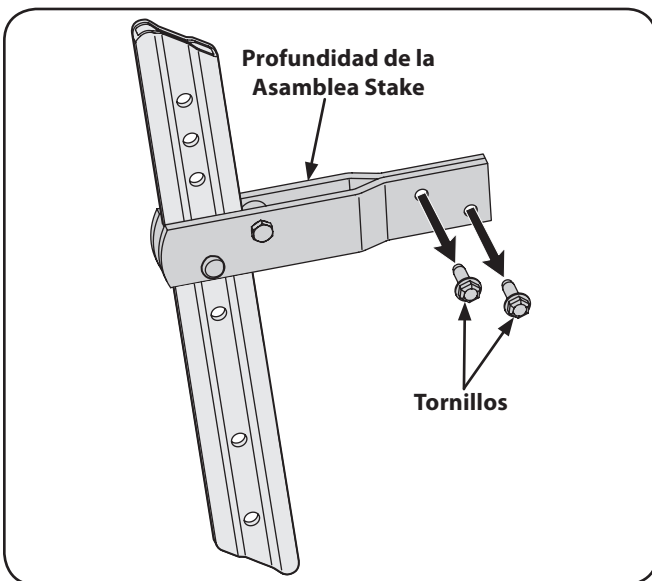


Figura 3-5

- Introduzca el conjunto de la estaca de profundidad en el cuadro

y volver a instalar los dos tornillos que quitó antes. Apriete los tornillos hexagonales de forma segura. Vea la Fig. 3-6.

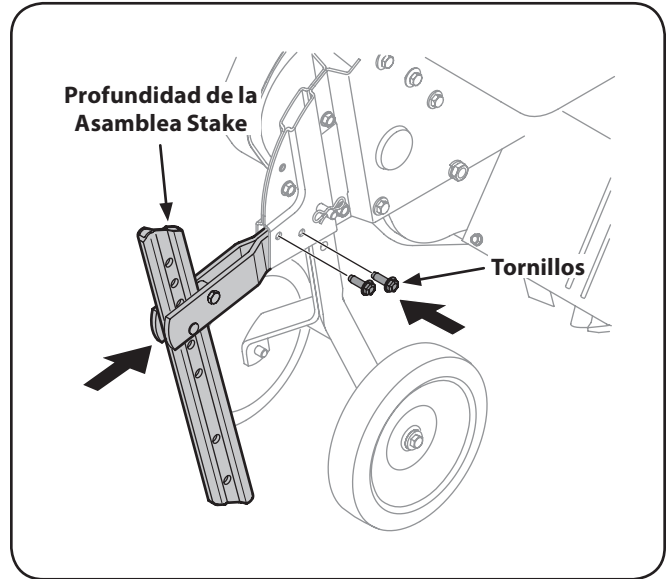


Figura 3-6

- Asegure el pasador con el clip de retirarse antes. La estaca de profundidad se puede colocar en varias posiciones. Para los propósitos de configuración, se sugiere que la estaca se reunió con el juego justo por encima o al nivel de la superficie del suelo. Para más instrucciones sobre la estaca de profundidad se refieren a la sección de Operación de este manual.

Ajustes

Ruedas

La cultivadora se entrega con las ruedas ajustadas de modo que la máquina esté nivelada. Es necesario ajustar las ruedas para adaptarse a sus necesidades de labranza antes de hacer funcionar la máquina. Este ajuste se realiza retirando el pasador de horquilla del retén de las ruedas y levantando las ruedas a la altura deseada. Vea la Fig. 3-7.

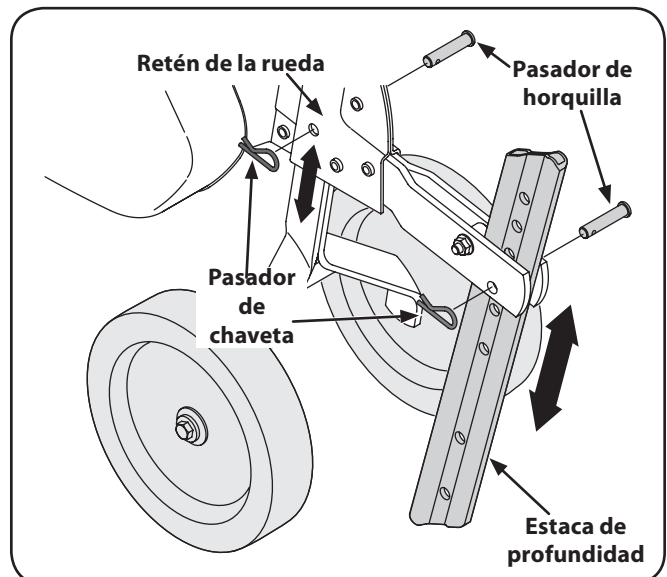


Figura 3-7

Ajustes

Ajuste del cable

De vez en cuando puede ser necesario ajustar la tensión en el cable de la participación de dientes hacia adelante.

1. Desconecte y el suelo cable de la bujía contra el motor.
2. Ajuste el cable del embrague hacia delante, aflojando la tuerca hexagonal. Véase la figura. 3-8.

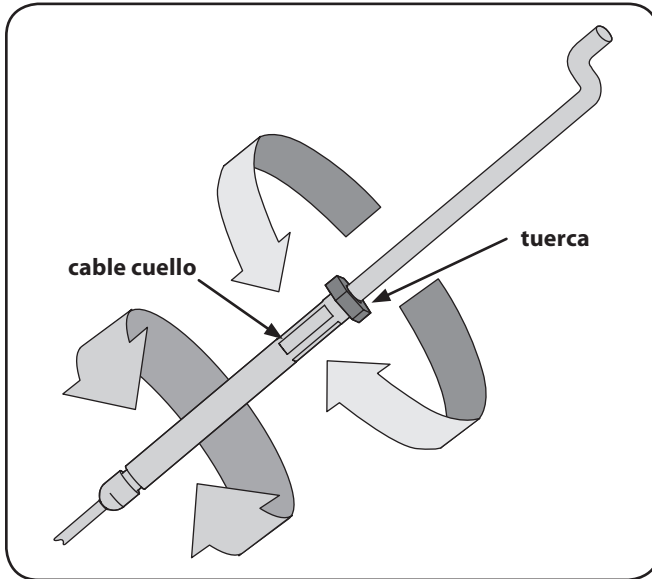


Figura 3-8

3. A su vez la sección del cable cuello una o dos vueltas para aumentar o disminuir la tensión en el cable. Véase la figura. 3-8.
4. Vuelva a apretar la tuerca de seguridad contra el collar del cable. Véase la figura. 3-8.
5. Con el compromiso de avance y retroceso de púas maneja en punto muerto - en libertad - posición, tire de la cuerda de arranque varias veces. Los dientes no debe girar.
6. Si a su vez hacia delante, ajuste el cable hacia adelante el compromiso de dientes para liberar la tensión con los pasos anteriores en esta sección. Si los dientes a su vez hacia la parte trasera, ajuste el cable de revertir la participación de dientes a la lección de la tensión como en los pasos anteriores.
7. Compruebe de nuevo la tensión correcta de los cables.

Configuración

Carga de gas y aceite

Cargue el motor con gasolina y aceite como se indica en el Manual de operación del motor que se entrega con la cultivadora. Lea las instrucciones con atención.



¡ADVERTENCIA! Tenga mucho cuidado al trabajar con gasolina. La gasolina es sumamente inflamable y sus vapores pueden causar explosiones. Nunca agregue combustible a la máquina en interiores o mientras el motor está caliente o en funcionamiento.

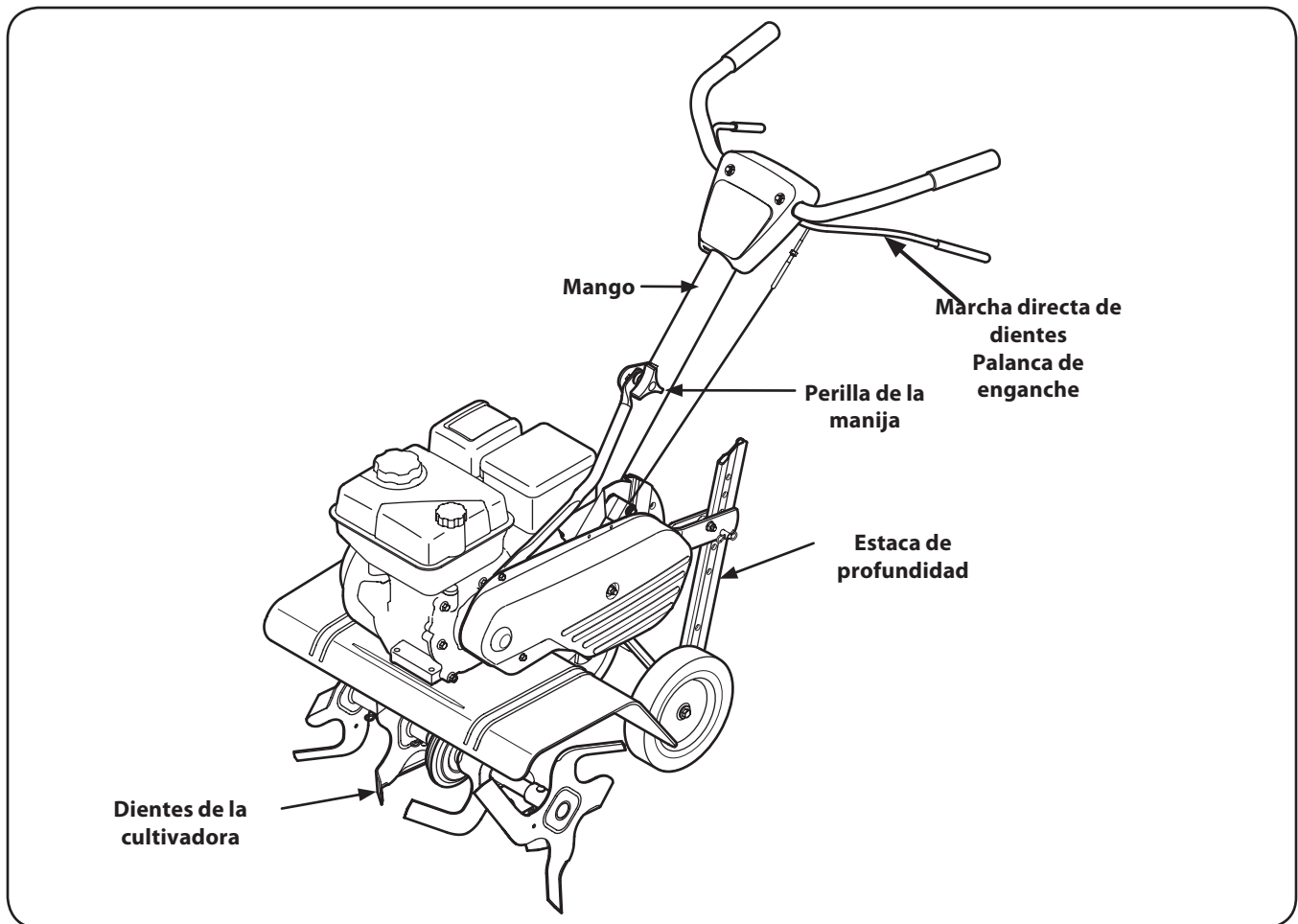


Figura 4-1

Controles del motor

Consulte el Manual de operación del motor, por separado, para obtener información adicional y detalles sobre las funciones de los controles del motor.

Palanca de enganche de marcha hacia adelante de los dientes

La palanca de control de los dientes hacia adelante está ubicada debajo de la parte superior de la manija. Para engranar la transmisión de los dientes se aprieta la palanca contra la manija. Suelte la palanca para detener los dientes.

Estaca de profundidad

La estaca de profundidad controla la profundidad de la labranza.

Dientes de la cultivadora

Los dientes se utilizan para cultivar, surcar y preparar su jardín para la siembra.

Perilla de la manija

La altura de las manijas se puede ajustar. Afloje la perilla para cambiar la posición. Ajuste los elementos de ferretería cuando haya terminado.

Arranque y detención del motor



¡ADVERTENCIA! Lea, comprenda y siga todas las instrucciones y advertencias que se encuentran en la máquina y en este manual antes de operarla.



¡ADVERTENCIA! Asegúrese de que nadie se encuentre delante de la cultivadora mientras el motor está funcionando o en proceso de arranque.

1. Compruebe que el control del embrague de los dientes esté desenganchado y consulte el Manual de operación del motor para instrucciones sobre cómo arrancar y detener el motor.

Establecimiento de la profundidad

Retén hacia adelante

Coloque el retén de las ruedas de manera que las ruedas estén hacia delante (punto más cercano a los dientes) para labranza superficial, cultivo y transporte. Vea la Fig. 5-1.

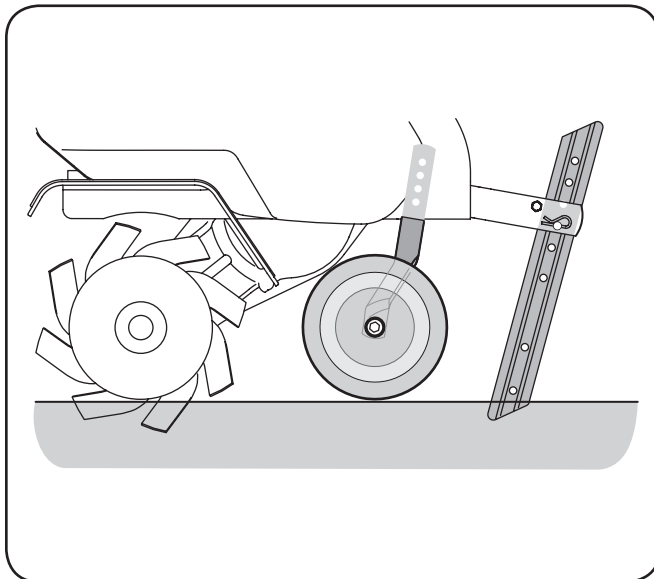


Figura 5-1

Retén hacia atrás

Coloque el reten de las ruedas de manera que las ruedas estén hacia atrás (punto más cercano a la estaca de profundidad) para labranza profunda y cultivo. Vea la Fig. 5-2.

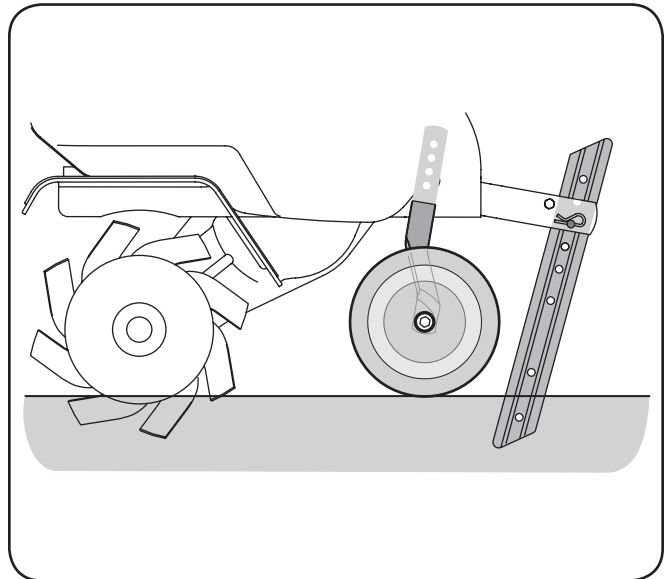


Figura 5-2

Estaca de profundidad

La estaca de profundidad funciona como un freno de la cultivadora y controla la profundidad y la velocidad a la cual funciona la máquina. Retire la chaveta de horquilla y el broche de horquilla para subir o bajar la estaca de profundidad. Vea la Fig. 5-3.

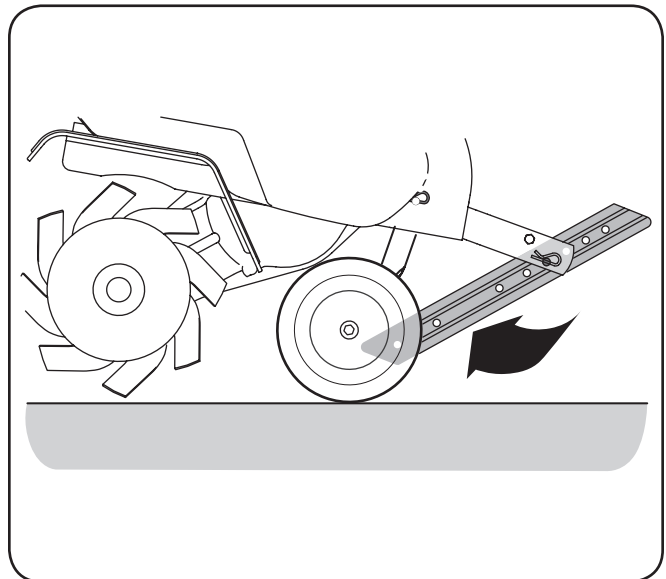


Figura 5-3

Presión de las manijas

Se puede obtener un mayor control de la profundidad de la labranza y de la velocidad de recorrido variando la presión sobre las manijas. La presión hacia abajo sobre las manijas reduce la profundidad del trabajo y aumenta la velocidad de marcha directa. La presión hacia arriba sobre las manijas aumenta la profundidad del trabajo y reduce la velocidad de marcha directa. El tipo de suelo y las condiciones de trabajo determinan la configuración real de la estaca de profundidad y la presión requerida de las manijas.

Transporte y almacenamiento de la cultivadora

Para transportar y almacenar la cultivadora mueva el regulador a la posición 'stop' (detención). Gire la estaca de profundidad desde el terreno hacia arriba entre las ruedas. Vea la Fig. 5-3.

Uso de la cultivadora

La cultivadora es una máquina diseñada para preparar, labrar, abrir surcos y abonar los lechos de siembra.

Procedimiento para realizar la labranza

Durante la labranza, deje aproximadamente 8 pulgadas de suelo sin labrar entre la primera y la segunda sendas de labranza, luego realice una tercera senda entre la primera y la segunda, Figura 5-4. En algunos suelos se puede obtener la profundidad deseada la primera vez que se trabaja en el jardín. En otros suelos, la profundidad deseada se obtiene pasando dos o tres veces sobre el terreno del jardín. Las pasadas se deben realizar en forma alternada a lo largo y a lo ancho del jardín. Las rocas que se encuentren se deben retirar del área del jardín.

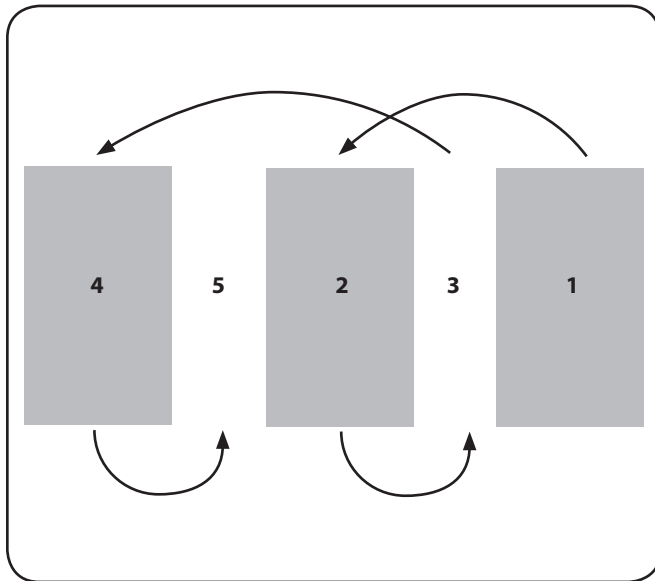


Figura 5-4

Procedimientos para realizar tareas de labranza

Es deseable una profundidad de dos a tres pulgadas para realizar la labranza del terreno. El ancho de labranza se puede reducir a 13 pulgadas extrayendo los dientes exteriores completamente de la cultivadora. Consulte la sección Mantenimiento y ajustes para leer las instrucciones para retirar los dientes. Cuando trace las hileras de plantación, asegúrese de dejar un ancho suficiente para poder cultivar entre las hileras. Cuando cultive maíz o algún cultivo similar, el control de las hileras de la plantación permitirá el cultivo transversal y prácticamente eliminará la azada manual. Vea la Fig. 5-5.

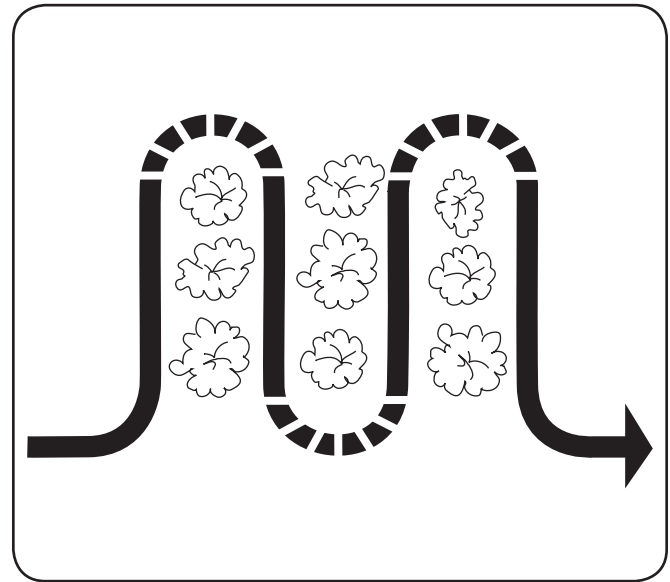


Figura 5-5

Otras aplicaciones

La cultivadora tiene muchas aplicaciones además de la de labranza y cultivo de un jardín. Una de ellas es la preparación del área para la siembra. La cultivadora preparará un lecho de siembra profundo que no tendrá puntos duros sin labrar, permitiendo una mejor afirmación del césped para el crecimiento. La cultivadora es muy útil para aflojar suelos duros y prepararlos para su excavación mediante una pala. No es necesario realizar ninguna tediosa labor manual. La cultivadora se puede usar para mezclar abono en acopio o para mezclarla con el suelo del jardín. Esto se debe realizar después de haber roturado el terreno en la totalidad de la profundidad de trabajo. El abono se debe trabajar a una profundidad de seis o siete pulgadas. Esto se puede realizar trabajando a lo largo del jardín y luego haciendo varias pasadas separadas transversales. El agregado de materia orgánica descompuesta aumenta significativamente la fertilidad del jardín. Para una adecuada acción de descomposición se debe aplicar fertilizante y se debe trabajar con los materiales de abono. La mezcla de hojas rotas y paja con varias pulgadas de suelo permite una adecuada aireación del sistema de raíces de las plantas y retarda el crecimiento de malezas.



¡ADVERTENCIA! Desconecte el cable de la bujía y tierra contra el motor antes de realizar cualquier reparación.

Mantenimiento

Motor

Consulte el manual del operador del motor para obtener instrucciones de mantenimiento del motor.

Dientes

Limpie la parte inferior del protector de dientes después de cada uso. La suciedad se lava los dientes más fácil si se enjuaga inmediatamente y no después de que se seque. Siempre toalla seca el timón después y aplique una capa delgada de aceite o silicona para evitar daños en la oxidación o el agua.

NOTA: Nunca use una "lavadora de presión" para limpiar su timón. El agua puede penetrar en espacios reducidos de la caña del timón y su caso de cadena y causar graves daños a la máquina.

Lubricación

Puntos de pivote

Quite la cubierta de la correa y lubricar todos los puntos de giro y los vínculos al menos una vez por temporada con aceite ligero. Mantenga las correas sin lubricación.

Tine Ejes

Retire los conjuntos de dientes y lubricar los ejes de dientes por lo menos una vez por temporada.

Los ejes de la rueda

Quite los conjuntos de rueda y lubricar los semiejes al menos una vez por temporada.

Cadena de transmisión

El mando de la cadena está pre-lubricado y sellado en la fábrica.

Dientes

Con los dientes exterior instalado, el ancho de trabajo de la máquina es de 24 pulgadas. Esta anchura se puede ampliar a 26 pulgadas por la eliminación de la horquilla y pasadores, correderas cada diente hacia el exterior exterior del centro de la caña del timón y volver a asegurar los pasadores en los orificios. Véase la figura. 6-1.

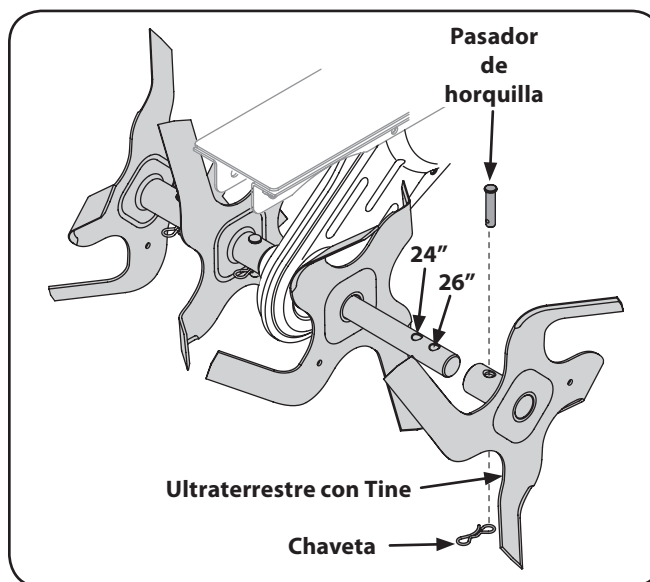


Figure 6-1

Fuera de temporada de almacenamiento

Si la caña no se utiliza durante un período superior a 30 días, los siguientes pasos deben tomarse para preparar la caña para el almacenamiento.

1. Limpie el exterior del motor y el timón todo a fondo. Lubrique el timón tal como se describe en las instrucciones de lubricación.
2. El uso de limpiadores a presión no se recomienda para la limpieza de su timón. Pueden causar daños a los componentes eléctricos, engranajes, poleas, rodamientos o el motor. El uso de limpiadores a presión se acortará la vida útil y reducir la capacidad de servicio.
3. Consulte el manual del motor para corregir las instrucciones de motor de almacenamiento.
4. Limpie los dientes con un trapo aceitado para prevenir la oxidación.
5. Tienda timón en un lugar limpio y seco. No almacenar cerca de materiales corrosivos, como los fertilizantes.

NOTA: Cuando almacene cualquier tipo de equipo motorizado en un área sin ventilación o galpón de depósito metálico, se debe tener cuidado con el equipo a prueba de herrumbre. El uso de un aceite ligero o silicona para recubrir el equipo y especialmente con los resortes, rodamientos, cables y.

Cambio de correa

El diseño de la cultivadora incluye una correa de material especial (Kevlar Tracción) que le proporciona mayor duración y mejor rendimiento. No se la debe cambiar por una correa cualquiera. Pida todas las correas a través de su distribuidor de servicio autorizado.

1. Desconéctelos y haga masa con el cable de la bujía contra el motor.
2. Retire la cubierta de la correa desde el lado izquierdo de la cultivadora retirando los dos tornillos con arandelas hexagonales y la tuerca y arandela de seguridad. Vea la Fig. 7-1.

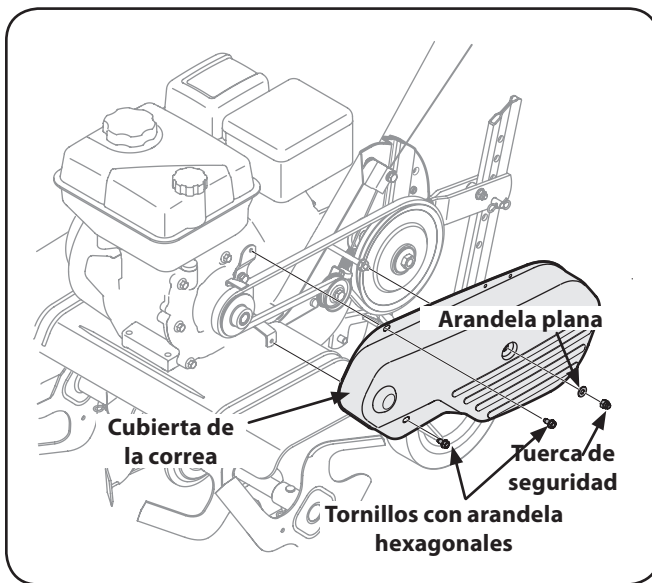


Figura 7-1

3. Retire el perno de la polea loca y mueva la correa desde debajo del guardacorreas de la polea loca. Vea la Fig. 7-2.

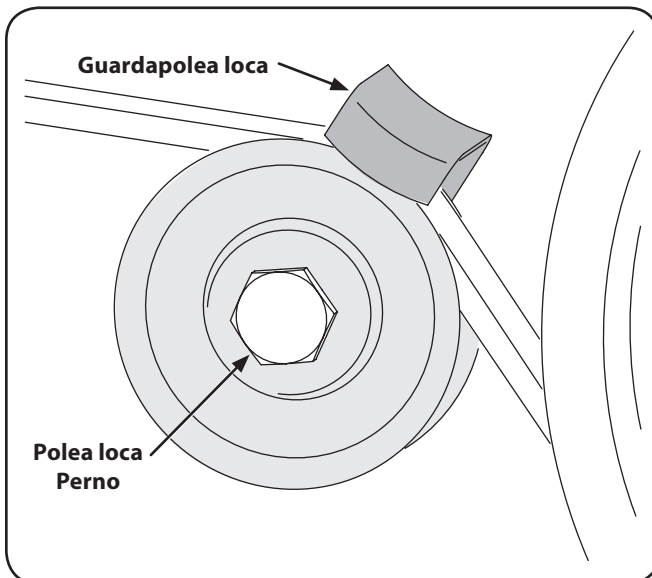


Figura 7-2

4. El uso de un ½" llave, retire el tornillo hexagonal de fijación del cinturón de guardián en el motor. Vea la Fig. 7-3.

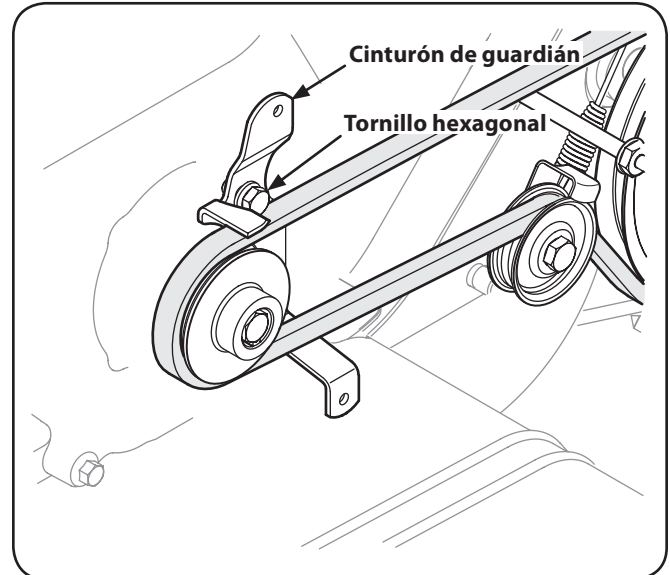


Figure 7-3

5. Retire la correa.
6. Para instalar la nueva correa, siga las instrucciones en orden inverso y consulte la Fig. 7-4. Asegúrese de colocar el lado más ancho de la correa lejos de las poleas del motor y de transmisión.

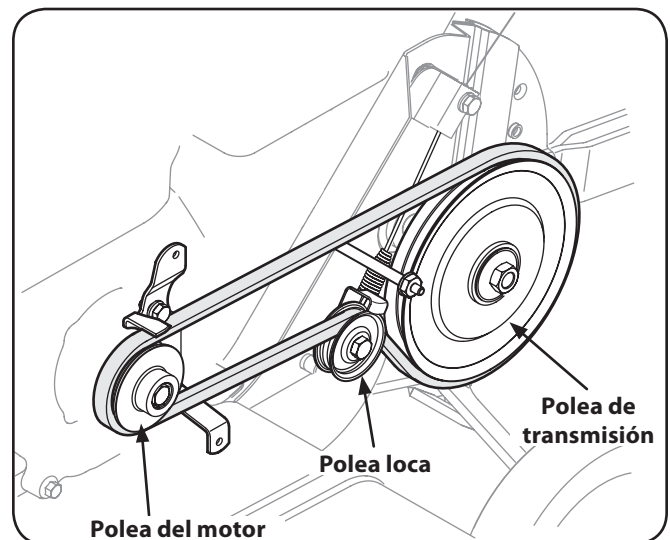


Figura 7-2

NOTA: Al volver a armar, asegúrese de que el guardacorreas de la polea loca quede tal como se muestra en la Figura 7-2. Observe la muesca en la parte inferior del guardacorreas y la alineación cuando vuelva a armar con la correa nueva.

Problema	Causa	Remedio
Los dientes no enganchan	<ol style="list-style-type: none"> 1. Hay un objeto extraño entre los dientes 2. Falta la o las chavetas de horquilla de los dientes. 3. La polea y la polea loca necesitan ajuste. 4. Dificultad en el cambio de marcha. 5. El cable de control no está ajustado correctamente. 6. Correa desgastada y/o estirada. 	<ol style="list-style-type: none"> 1. Desaloje el objeto extraño. 2. Cambie la o las chavetas de horquilla de los dientes. 3. Lleve la unidad al distribuidor autorizado de mantenimiento. 4. Consulte la sección Controles y características para obtener el procedimiento correcto para realizar los cambios 5. Ajuste el cable de control 6. Cambie la correa
Los dientes rebotan contra el suelo	<ol style="list-style-type: none"> 1. Rotación incorrecta. 	<ol style="list-style-type: none"> 1. Solamente se debe utilizar la rotación hacia adelante sobre suelos previamente labrados, no sobre tierra virgen.
Las ruedas no enganchan	<ol style="list-style-type: none"> 1. Falta el pasador de horquilla 2. No se hacen bien los cambios de la cultivadora 3. El cable de control no está ajustado correctamente. 4. Correa desgastada y/o estirada. 	<ol style="list-style-type: none"> 1. Reemplace el pasador de horquilla 2. Consulte la sección Controles y características para obtener el procedimiento correcto para realizar los cambios 3. Ajuste el cable de control 4. Cambie la correa

GARANTÍA LIMITADA DEL FABRICANTE PARA



La siguiente garantía limitada es otorgada por Troy-Bilt LLC con respecto a nuevos productos adquiridos y utilizados en Estados Unidos y/o sus territorios y posesiones, y por MTD Products Limited con respecto a nuevos productos adquiridos y utilizados en Canadá y/o sus territorios y posesiones (cualquiera de las dos entidades, respectivamente, "Troy-Bilt").

"Troy-Bilt" garantiza este producto (excluidas las Correas, transmisión y Accesorios según se describe más abajo) contra defectos en los materiales y mano de obra por un período de dos (2) años a partir de la fecha de compra original y, a su opción, reparará o reemplazará, sin costo alguno, cualquier pieza que presente defectos en los materiales o de mano de obra. Esta garantía limitada sólo se aplicará si el producto ha sido operado y mantenido de acuerdo con las instrucciones del Manual del Operador que se proporciona con el producto y no ha sido sujeto a uso inapropiado, abuso, uso comercial, abandono, accidente, mantenimiento incorrecto, alteración, vandalismo, robo, incendio, inundación o algún daño debido a otro peligro o desastre natural. El daño resultante por la instalación o el uso de piezas, accesorios o aditamentos no aprobados por Troy-Bilt para su uso con el(los) producto(s) incluido(s) en este manual anulará la garantía en lo que respecta a esos daños.

Las correas se garantiza para estar libres de defectos en material y la ejecución por un período de treinta (30) días a partir de la fecha de la compra.

Transmisión - Troy-Bilt garantiza la transmisión (todos los engranajes incluyendo, los ejes y las cubiertas) contra defectos en material y la ejecución para la vida de la sierpe, al comprador original solamente, comenzando la fecha de la compra o del arriendo original.

Accesorios — Troy-Bilt garantiza que los accesorios de este producto están libres de defectos de material y mano de obra durante un período de un (1) año a partir de la fecha de compra o arrendamiento original del accesorio. Los accesorios incluyen, pero no se limitan a: colectores de césped y kits para abono.

CÓMO SOLICITAR Y OBTENER SERVICIO TÉCNICO: El servicio de la garantía está disponible, CON PRUEBA DE COMPRA, a través del distribuidor de servicio local autorizado. Para localizar al distribuidor de su zona:

En Estados Unidos de América

Consulte las páginas amarillas, o póngase en contacto con Troy-Bilt LLC en P.O. Box 361131, Cleveland, Ohio 44136-0019, llame al 1-866-840-6483, 1-330-558-7220 ó visite nuestro sitio web en www.troybilt.com.

En Canadá

Póngase en contacto con MTD Products Limited, Kitchener, ON N2G 4J1, llame al 1-800-668-1238 ó visite nuestro sitio web en www.mtdcanada.com.

Esta garantía limitada no suministra cobertura en los siguientes casos:

- El motor o las piezas que lo componen. Estos productos pueden tener garantía del fabricante por separado. Consulte los términos y condiciones en la garantía correspondiente del fabricante.
- Las bombas, válvulas y cilindros del rompetroncos tienen una

garantía separada de un año.

- Los artículos necesarios para el mantenimiento de rutina como por ejemplo lubricantes, filtros, afiladores de cuchillas, sincronización del motor, los ajustes de los frenos, del embrague o de la plataforma y el deterioro normal del acabado exterior debido al uso o exposición.
- Mantenimiento no realizado por el distribuidor de servicio autorizado.
- Troy-Bilt no extiende ninguna garantía para los productos vendidos o exportados fuera de los Estados Unidos de América y/o Canadá, y sus respectivas posesiones y territorios, excepto para aquellos vendidos a través de los canales autorizados de distribución de exportaciones de Troy-Bilt.
- Piezas de reemplazo que no son piezas originales de Troy-Bilt.
- Gastos de transporte y visitas técnicas.
- Troy-Bilt no garantiza este producto para uso comercial.

No existe ninguna garantía implícita, incluyendo cualquier garantía implícita de comerciabilidad o adaptabilidad para un propósito en particular, una vez transcurrido el período aplicable de garantía escrita según lo antedicho en relación con las piezas identificadas. Ninguna otra garantía expresa, ni oral ni escrita, excepto la mencionada anteriormente, extendida por personas reales o jurídicas, incluidos los distribuidores o los minoristas con respecto a cualquier producto, obligará a Troy-Bilt. Durante el plazo de la garantía el único recurso es la reparación o reemplazo del producto como se indicó anteriormente.

Las disposiciones de esta garantía cubren el recurso de reparación única y exclusiva que surge de la venta. Troy-Bilt no se hará responsable de ninguna pérdida o daño incidental o resultante, incluyendo sin limitación, los gastos incurridos para los servicios de mantenimiento del césped, o los gastos de arrendamiento para reemplazar de manera transitoria un producto bajo garantía.

Algunos estados no permiten la exclusión o limitación de los daños y perjuicios incidentales o directos, o las limitaciones sobre la duración de las garantías implícitas, por lo que las exclusiones o limitaciones mencionadas anteriormente pueden no ser de aplicación.

En ningún caso se obtendrá una compensación de ningún tipo por un monto mayor al precio de compra del producto vendido. **La alteración de las características de seguridad del producto anulará esta garantía.** Usted asume el riesgo y la responsabilidad de las pérdidas, daños o lesiones que sufran usted y sus bienes y / u otras personas y sus bienes como resultado del uso incorrecto o de la falta de capacidad para usar este producto.

Esta garantía limitada cubre solamente al comprador original, o a la persona que recibió el producto de regalo.

CÓMO SE RELACIONA LA LEGISLACIÓN ESTATAL CON ESTA GARANTÍA: Esta garantía limitada le otorga derechos legales específicos y usted también puede contar con otros derechos que varían de un estado a otro.

IMPORTANTE: El propietario debe presentar prueba de compra original para obtener la cobertura de la garantía.

**Troy-Bilt LLC, P.O. BOX 361131 CLEVELAND, OHIO 44136-0019, Teléfono: 1-866-840-6483,
1-330-558-7220 MTD Canada Limited - KITCHENER, ON N2G 4J1; Teléfono 1-800-668-1238**