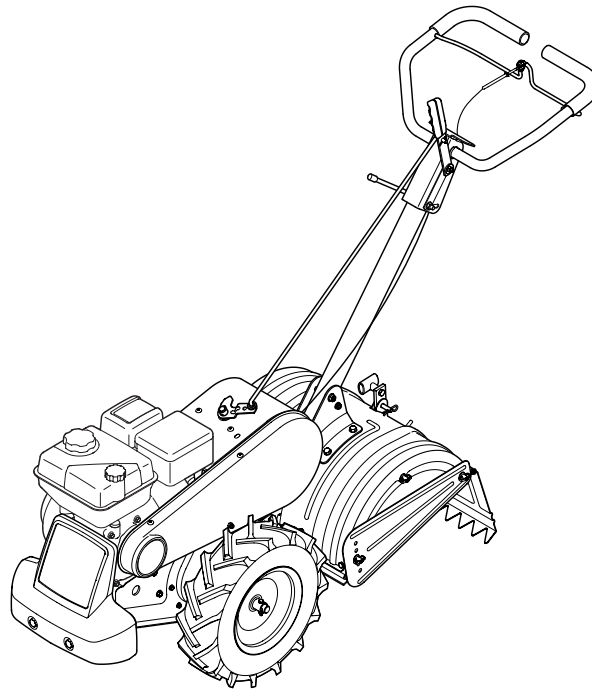


# *Cub Cadet*<sup>®</sup>

## OPERATOR'S MANUAL



### Rear Tine Tiller — Model RT 65

#### **⚠ WARNING**

**READ AND FOLLOW ALL SAFETY RULES AND INSTRUCTIONS IN THIS MANUAL  
BEFORE ATTEMPTING TO OPERATE THIS MACHINE.  
FAILURE TO COMPLY WITH THESE INSTRUCTIONS MAY RESULT IN PERSONAL INJURY.**

---

CUB CADET LLC, P.O. BOX 361131 CLEVELAND, OHIO 44136-0019

---

## Thank You

Thank you for purchasing a Garden Tiller manufactured by Cub Cadet LLC. It was carefully engineered to provide excellent performance when properly operated and maintained.

Please read this entire manual prior to operating the equipment. It instructs you how to safely and easily set up, operate and maintain your machine. Please be sure that you, and any other persons who will operate the machine, carefully follow the recommended safety practices at all times. Failure to do so could result in personal injury or property damage.

All information in this manual is relative to the most recent product information available at the time of printing. Review this manual frequently to familiarize yourself with the machine, its features and operation. Please be aware that this Operator's Manual may cover a range of product specifications for various models. Characteristics and features discussed and/or illustrated in this manual may not be applicable to all models. Cub Cadet LLC reserves the right to change product specifications, designs and equipment without notice and without incurring obligation.

This product has met the rigid safety standards of the Outdoor Power Equipment Institute and an independent testing laboratory. If you have any problems or questions concerning the machine, phone your local Cub Cadet dealer or contact us directly. Cub Cadet's Customer Support telephone numbers, website address and mailing address can be found on this page. We want to ensure your complete satisfaction at all times.

Throughout this manual, all references to *right* and *left* side of the machine are observed from the operating position.

## Table of Contents

<b>Safe Operation Practices .....</b>	<b>3</b>	<b>Service .....</b>	<b>14</b>
<b>Assembly &amp; Set-Up .....</b>	<b>7</b>	<b>Troubleshooting .....</b>	<b>15</b>
<b>Controls &amp; Features.....</b>	<b>10</b>	<b>Replacement Parts .....</b>	<b>16</b>
<b>Operation.....</b>	<b>11</b>	<b>Warranty.....</b>	<b>20</b>
<b>Maintenance &amp; Adjustments.....</b>	<b>13</b>		

## Record Product Information

Before setting up and operating your new equipment, please locate the model plate on the equipment and record the information in the provided area to the right. You can locate the model plate by standing at the operator's position and looking down at the rear of the deck. This information will be necessary, should you seek technical support via our web site or with your local Cub Cadet dealer.

### MODEL NUMBER

--	--	--	--	--	--	--	--	--	--	--	--

### SERIAL NUMBER

--	--	--	--	--	--	--	--	--	--	--	--

## Customer Support

If you have difficulty assembling this product or have any questions regarding the controls, operation, or maintenance of this machine, you can seek help from the experts. Choose from the options below:

- ◇ Visit us on the web at [www.cubcadet.com](http://www.cubcadet.com)
- ◇ Locate your nearest Cub Cadet Dealer at (877) 282-8684
- ◇ Write us at Cub Cadet LLC • P.O. Box 361131 • Cleveland, OH • 44136-0019



**WARNING!** This symbol points out important safety instructions which, if not followed, could endanger the personal safety and/or property of yourself and others. Read and follow all instructions in this manual before attempting to operate this machine. Failure to comply with these instructions may result in personal injury. When you see this symbol. **HEED ITS WARNING!**

## CALIFORNIA PROPOSITION 65



**WARNING!** Engine Exhaust, some of its constituents, and certain vehicle components contain or emit chemicals known to State of California to cause cancer and birth defects or other reproductive harm.



**WARNING!** Battery posts, terminals, and related accessories contain lead and lead compounds, chemicals known to the State of California to cause cancer and reproductive harm. *Wash hands after handling*



**DANGER!** This machine was built to be operated according to the safe operation practices in this manual. As with any type of power equipment, carelessness or error on the part of the operator can result in serious injury. This machine is capable of amputating fingers, hands, toes and feet. Failure to observe the following safety instructions could result in serious injury or death.

## Training

1. Read, understand, and follow all instructions on the machine and in the manual(s) before attempting to assemble and operate. Keep this manual in a safe place for future and regular reference and for ordering replacement parts.
2. Be familiar with all controls and their proper operation. Know how to stop the machine and disengage them quickly.
3. Never allow children under 14 years of age to operate this machine. Children 14 and over should read and understand the instructions and safe operation practices in this manual and on the machine and be trained and supervised by an adult.
4. Never allow adults to operate this machine without proper instruction.
5. Keep the area of operation clear of all persons, particularly small children and pets. Stop machine if anyone enters the area.
2. Wear sturdy, rough-soled work shoes and close fitting slacks and shirt. Loose fitting clothes or jewelry can be caught in moving parts. Never operate this machine in bare feet or sandals.
3. Disengage clutch levers and shift (if provided) into neutral ("N") before starting the engine.
4. Never leave this machine unattended with the engine running.
5. Never attempt to make any adjustments while engine is running, except where specifically recommended in the operator's manual.

## Safe Handling of Gasoline:

To avoid personal injury or property damage use extreme care in handling gasoline. Gasoline is extremely flammable and the vapors are explosive. Serious personal injury can occur when gasoline is spilled on yourself or your clothes which can ignite. Wash your skin and change clothes immediately.

- a. Use only an approved gasoline container.
- b. Never fill containers inside a vehicle or on a truck or trailer bed with a plastic liner. Always place containers on the ground away from your vehicle before filling.

## Preparation

1. Thoroughly inspect the area where the equipment is to be used. Remove all stones, sticks, wire, and other foreign objects which could be tripped over and cause personal injury.

- c. When practical, remove gas-powered equipment from the truck or trailer and refuel it on the ground. If this is not possible, then refuel such equipment on a trailer with a portable container, rather than from a gasoline dispenser nozzle.
  - d. Keep the nozzle in contact with the rim of the fuel tank or container opening at all times until fueling is complete. Do not use a nozzle lock-open device.
  - e. Extinguish all cigarettes, cigars, pipes and other sources of ignition.
  - f. Never fuel machine indoors.
  - g. Never remove gas cap or add fuel while the engine is hot or running. Allow engine to cool at least two minutes before refueling.
  - h. Never over fill fuel tank. Fill tank to no more than ½ inch below bottom of filler neck to allow space for fuel expansion.
  - i. Replace gasoline cap and tighten securely.
  - j. If gasoline is spilled, wipe it off the engine and equipment. Move unit to another area. Wait 5 minutes before starting the engine.
  - k. To reduce fire hazards, keep machine free of grass, leaves, or other debris build-up. Clean up oil or fuel spillage and remove any fuel soaked debris.
  - l. Never store the machine or fuel container inside where there is an open flame, spark or pilot light as on a water heater, space heater, furnace, clothes dryer or other gas appliances.
11. After striking a foreign object, stop the engine, disconnect the spark plug wire and ground against the engine. Thoroughly inspect the machine for any damage. Repair the damage before starting and operating.
  12. Disengage all clutch levers (if fitted) and stop engine before you leave the operating position (behind the handles). Wait until the tines come to a complete stop before unclogging the tines, making any adjustments, or inspections.
  13. Never run an engine indoors or in a poorly ventilated area. Engine exhaust contains carbon monoxide, an odorless and deadly gas.
  14. Muffler and engine become hot and can cause a burn. Do not touch.
  15. Use caution when tilling near fences, buildings and underground utilities. Rotating tines can cause property damage or personal injury.
  16. Do not overload machine capacity by attempting to till soil too deep at too fast of a rate.
  17. If the machine should start making an unusual noise or vibration, stop the engine, disconnect the spark plug wire and ground it against the engine. Inspect thoroughly for damage. Repair any damage before starting and operating.
  18. Keep all shields, guards, and safety devices in place and operating properly.
  19. Never pick up or carry machine while the engine is running.
  20. Use only attachments and accessories approved by the manufacturer. Failure to do so can result in personal injury.
  21. If situations occur which are not covered in this manual, use care and good judgement. Contact Customer Support for assistance and the name of you nearest servicing dealer..

## Operation

1. Do not put hands or feet near rotating parts. Contact with the rotating parts can amputate hands and feet.
2. Do not operate machine while under the influence of alcohol or drugs.
3. Never operate this machine without good visibility or light. Always be sure of your footing and keep a firm hold on the handles.
4. Keep bystanders away from the machine while it is in operation. Stop the machine if anyone enters the area.
5. Be careful when tilling in hard ground. The tines may catch in the ground and propel the tiller forward. If this occurs, let go of the handle bars and do not restrain the machine.
6. Exercise extreme caution when operating on or crossing gravel surfaces. Stay alert for hidden hazards or traffic. Do not carry passengers.
7. Never operate the machine at high transport speeds on hard or slippery surfaces.
8. Exercise caution to avoid slipping or falling.
9. Look down and behind and use care when in reverse or pulling machine towards you.
10. Start the engine according to the instructions found in this manual and keep feet well away from the tines at all times.

## Maintenance & Storage

1. Keep machine, attachments and accessories in safe working order.
2. Allow a machine to cool at least five minutes before storing. Never tamper with safety devices. Check their proper operation regularly.
3. Check bolts and screws for proper tightness at frequent intervals to keep the machine in safe working condition. Also, visually inspect machine for any damage.
4. Before cleaning, repairing, or inspecting, stop the engine and make certain the tines and all moving parts have stopped. Disconnect the spark plug wire and ground it against the engine to prevent unintended starting.
5. Do not change the engine governor settings or over-speed the engine. The governor controls the maximum safe operating speed of engine.
6. Maintain or replace safety and instruction labels, as necessary.
7. Follow this manual for safe loading, unloading, transporting, and storage of this machine.
8. Always refer to the operator's manual for important details if the machine is to be stored for an extended period.

9. If the fuel tank has to be drained, do this outdoors.
10. Observe proper disposal laws and regulations for gas, oil, etc. to protect the environment.
11. According to the Consumer Products Safety Commission (CPSC) and the U.S. Environmental Protection Agency (EPA), this product has an *Average Useful Life* of seven (7) years, or 130 hours of operation. At the end of the *Average Useful Life* have the machine inspected annually by an authorized service dealer to ensure that all mechanical and safety systems are working properly and not worn excessively. Failure to do so can result in accidents, injuries or death.

## Notice Regarding Emissions

Engines which are certified to comply with California and federal EPA emission regulations for SORE (Small Off Road Equipment) are certified to operate on regular unleaded gasoline, and may include the following emission control systems: Engine Modification (EM), Oxidizing Catalyst (OC), Secondary Air Injection (SAI) and Three Way Catalyst (TWC) if so equipped.

## Spark Arrestor









**WARNING!** This machine is equipped with an internal combustion engine and should not be used on or near any unimproved forest-covered, brushcovered or grass-covered land unless the engine's exhaust system is equipped with a spark arrestor meeting applicable local or state laws (if any).

If a spark arrestor is used, it should be maintained in effective working order by the operator. In the State of California the above is required by law (Section 4442 of the California Public Resources Code). Other states may have similar laws. Federal laws apply on federal lands.

A spark arrestor for the muffler is available through your nearest engine authorized service dealer or contact the service department, P.O. Box 361131 Cleveland, Ohio 44136-0019.

## Safety Symbols

This page depicts and describes safety symbols that may appear on this product. Read, understand, and follow all instructions on the machine before attempting to assemble and operate.

Symbol	Description
	<b>READ THE OPERATOR'S MANUAL(S)</b> Read, understand, and follow all instructions in the manual(s) before attempting to assemble and operate.
	<b>WARNING— ROTATING TINES</b> Do not put hands or feet near rotating parts. Contact with the rotating parts can amputate hands and feet.
	<b>WARNING— ROTATING TINES</b> Do not put hands or feet near rotating parts. Contact with the rotating parts can amputate hands and feet.
	<b>WARNING—GASOLINE IS FLAMMABLE</b> Allow the engine to cool at least two minutes before refueling.
	<b>WARNING— CARBON MONOXIDE</b> Never run an engine indoors or in a poorly ventilated area. Engine exhaust contains carbon monoxide, an odorless and deadly gas.
	<b>WARNING— HOT SURFACE</b> Engine parts, especially the muffler, become extremely hot during operation. Allow engine and muffler to cool before touching.



**WARNING!** Your Responsibility—Restrict the use of this power machine to persons who read, understand and follow the warnings and instructions in this manual and on the machine.

**SAVE THESE INSTRUCTIONS!**

## Contents of Carton

- One Tiller
- One Depth Stake
- One Handlebar Assembly
- One Operator's Manual
- One Shift Rod
- One Engine Operator's Manual

**NOTE:** This Operator's Manual covers several models. Garden tiller features may vary by model. Not all features in this manual are applicable to all garden tiller models and the garden tiller depicted may differ from yours.

**NOTE:** Reference to the right or left side of the tiller is determined from the operator's position behind the machine. All exceptions will be noted.



**WARNING!** To prevent personal injury or property damage, do not start the engine until all assembly steps are complete and you have read and understand the Safe Operation Practices Section and the Operating Section in this manual.

## Assembly

### Unpacking Instructions

1. Remove the staples, break the glue on the top flaps, or cut the tape at the end of the carton and peel along the top flap to open carton.
2. Remove the loose parts included with the tiller (i.e., Operator's Manual, etc.).
3. Cut the corners and lay the carton down flat.
4. Remove the packing materials.
5. Roll or slide the tiller out of the carton. Check the carton thoroughly for loose parts.
6. Extend the control cable and lay it on the floor. Be careful not to bend or kink the control cable.

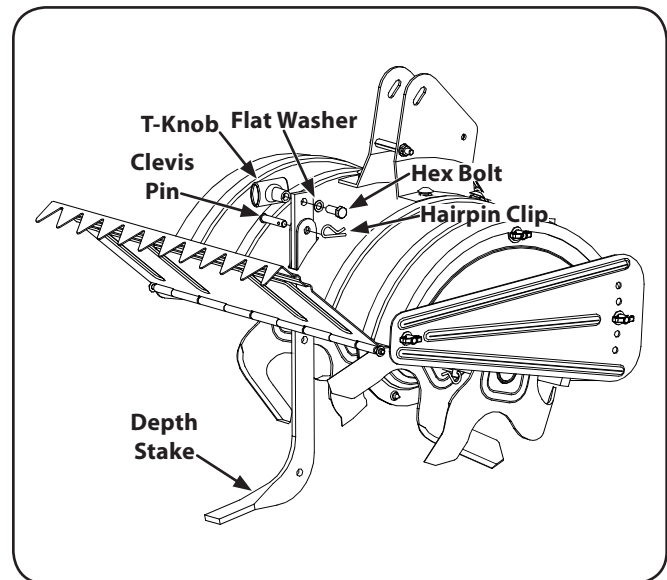
**NOTE:** This tiller is shipped without gasoline or oil in the engine. Be certain to service engine with gasoline and oil as instructed in the separate Engine Operator's Manual before operating your machine.

### Depth Stake



**WARNING!** Disconnect the spark plug wire and ground it against the engine to prevent unintended starting.

1. Tip the tiller forward so that it rests on the front counterweight.
2. Un-thread the T-knob from the top of the depth stake and remove the flat washer and hex bolt. Remove the hairpin clip from the clevis pin. See Fig. 3-1.



**Figure 3-1**

3. Raise the tine shield hinge flap assembly and insert the depth stake assembly into the slot — under the tine shield — and up through the tine shield assembly.
4. Insert the clevis pin through the tine shield and depth stake assemblies. Secure it with the hairpin clip.
5. Insert a hex bolt into the top hole of the depth stake assembly. Place the flat washer on the hex bolt and thread the T-knob onto the hex bolt. Tighten securely. See Fig. 3-1.
6. Tip the tiller back down so that it rests on the tines.

## Handle

1. Remove the top two bolts and flange lock nuts from the handle mounting brackets, but do not remove the bottom bolt and nut. See Fig. 3-2.

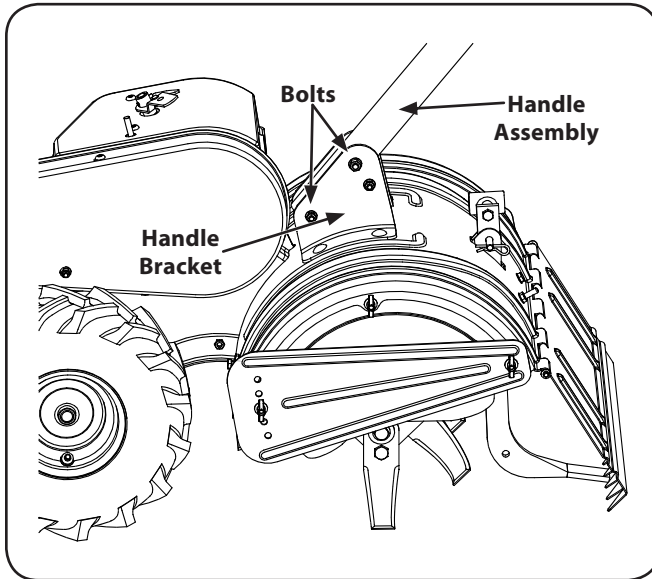


Figure 3-2

2. Place the handle assembly in position between the handle mounting brackets.
3. Line up the holes in the handle with the holes in the bracket and secure it with hardware previously removed.

## Clutch Cable

Attach the clutch cable to the handle as follows: (be careful not to kink the cable)

1. Remove the threaded eyebolt and nut from the cable end.
2. Route the clutch cable to the right side of the handle mounting brackets and underneath the handle.
3. Push the cable through the hole in the center of the handle and snap into the plastic fitting. See Fig. 3-3.

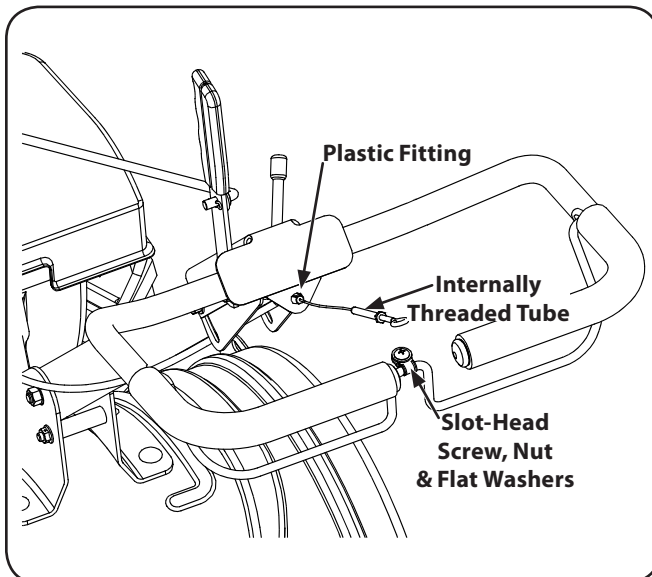


Figure 3-3

4. Remove the slot head screw, nut, and two flat washers from the clutch bail. See Fig. 3-4.

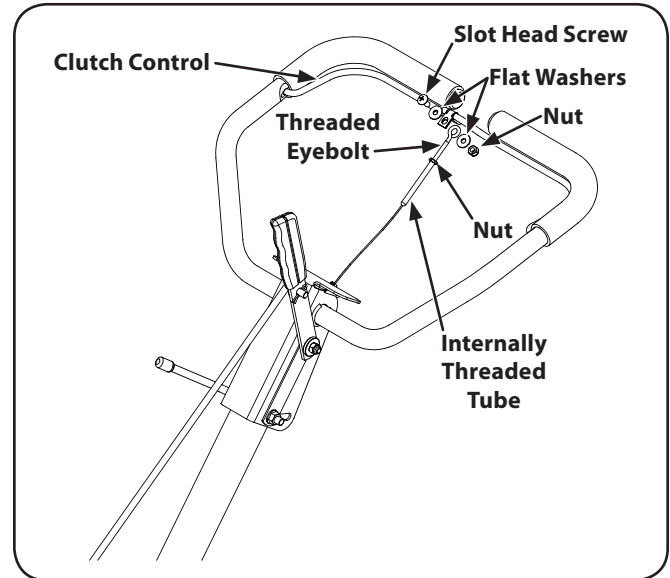


Figure 3-4

5. Fasten the threaded eyebolt onto the bail by securing it from the top with the slot head screw, flat washers and lock nut.
6. Thread the eyebolt and nut removed earlier into the internally threaded tube at the end of the cable. Thread engagement should be about  $\frac{3}{4}$ ". Tighten the nut against the tube at the end of the cable. See Fig. 3-4.

**NOTE:** Do not overtighten the clutch cable. Too much tension may cause it to break.



**WARNING!** Be certain to check the clutch cable adjustment before operating the tiller.

7. See the Maintenance & Adjustments Section for instructions on adjusting the clutch belt.



## Control Rod

1. Make sure the handle assembly is in the highest position. Refer to the Controls & Features section.
2. Remove the hairpin clips from the control rod, leave the rubber washers on the control rod.
3. Insert the shorter (angled) end of the control rod through the indicator bracket on the shift cover and secure with the hairpin clip that was previously removed. See Fig. 3-5.

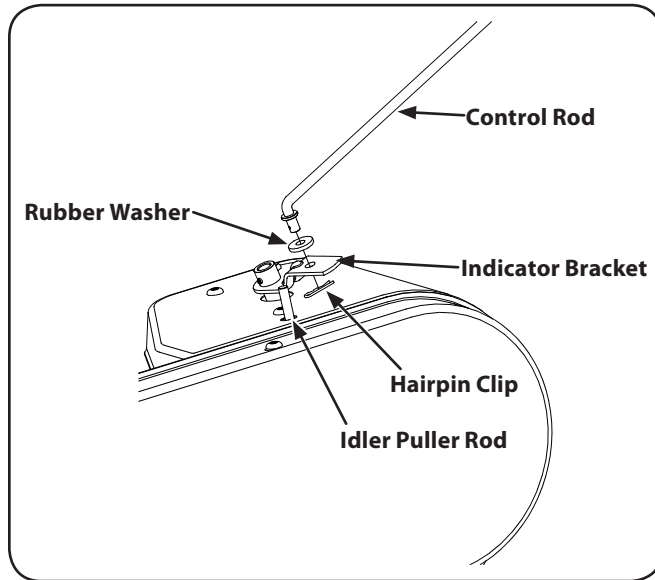


Figure 3-5

4. Insert the longer end of the control rod through the hole in the gear selector handle and secure with the hairpin clip. See Fig. 3-6.

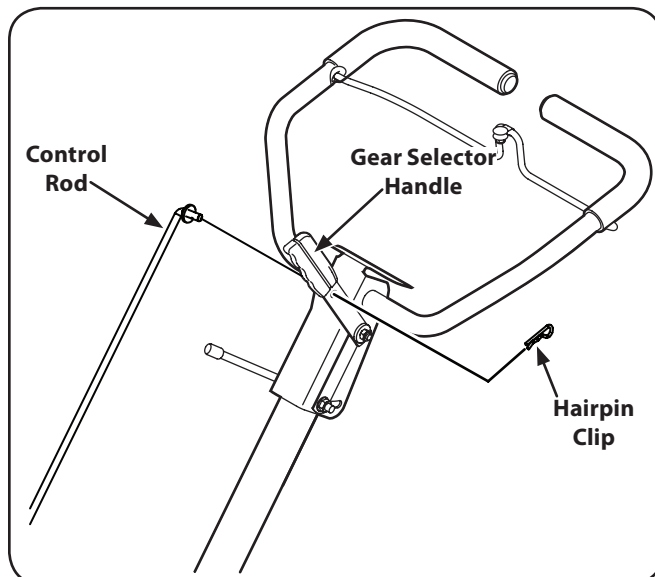


Figure 3-6

## Set-Up

### Tires

The tires on the tiller may be over-inflated for shipping purposes. Reduce the tire pressure before operating the tiller. Recommended operating tire pressure is approximately 20 PSI (check the sidewall of the tire for the manufacturer's recommended pressure). Be sure that both tires are inflated equally or the tiller will pull to one side.

### Gas & Oil Fill-Up

Service the engine with gasoline and oil as instructed in the separate Engine operator's Manual packed with your tiller. Read the instructions carefully.



**WARNING!** Use extreme care when handling gasoline. Gasoline is extremely flammable and the vapors are explosive. Never fuel the machine indoors or while the engine is hot or running.

### Adjustments

#### Clutch Cable

**NOTE:** Service the engine with oil and gasoline before checking this adjustment. Refer to the separate Engine Operator's Manual packed with your tiller for proper fuel and engine oil recommendations.

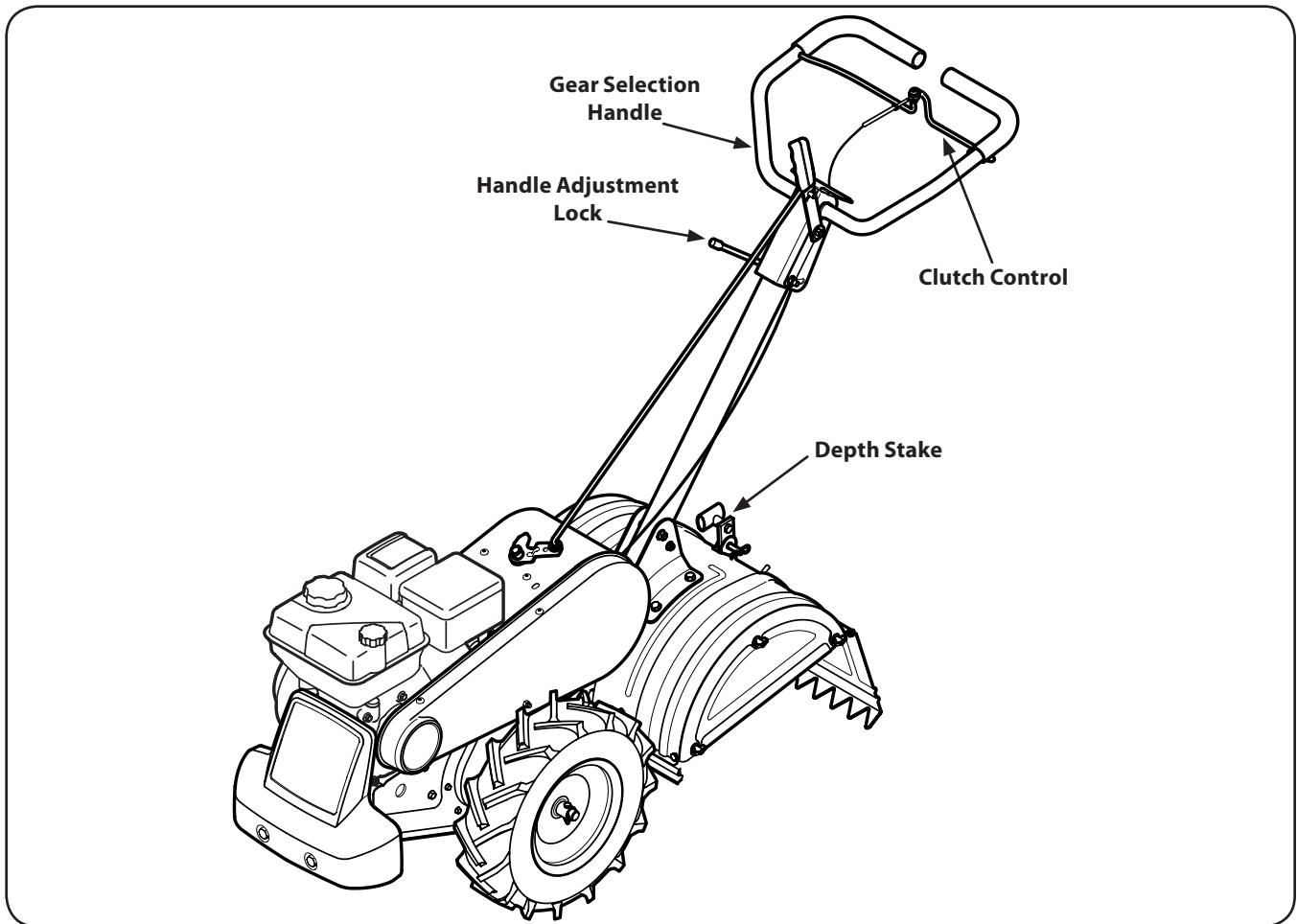
1. Position the tiller so the front counterweight is against a solid object, such as a wall.
2. With the gear selection lever in NEUTRAL, start the engine. Refer to the separate Engine Operator's Manual.
3. Standing on the right side of the tiller, examine the belt (inside the belt cover). It should not be turning.



**WARNING!** Do not put your fingers under the belt cover.

4. If the belt turns without bail engaged, adjust it by unthreading the internally threaded tube at the end of the cable a few turns clockwise (when standing in the operator's position) and then retighten the nut against the tube.
5. Move the shift lever to the FORWARD position.
6. Carefully engage the clutch by lifting the clutch control bail against the handle. The wheels should spin. If the wheels do not spin with the tiller in forward, adjust by unthreading the tube at the end of the cable a few turns counter-clockwise, when standing in the operator's position.
7. Retighten the nut against the tube.
8. Recheck both adjustments, and readjust as necessary.

**NOTE:** A secondary cable adjustment is available if you reach the point that additional adjustment is needed. Remove the belt cover and move the hex nuts at the other end of the cable towards the end of the casing. Then readjust the hex nuts at the handle.



**Figure 4-1**

**NOTE:** This Operator’s Manual covers several models. Garden tiller features may vary by model. Not all features in this manual are applicable to all garden tiller models and the garden tiller depicted may differ from yours.

## Engine Controls

See the separate Engine Operator’s Manual for information and functions of the engine controls.

## Gear Selection Handle

The gear selection handle is located in the center of the handle on the tiller. It is used to select NEUTRAL, REVERSE, or one of the FORWARD modes.

## Clutch Control

The clutch control is located beneath the handle. Squeezing the clutch control against the handle engages the wheel and tine drive mechanisms.

## Handle Adjustment Lock

The handle may be adjusted to the height desired. Loosen the handle height adjustment lock a few turns. Pivot handle up or down to desired position and tighten the lock.

## Depth Stake

The depth stake controls the tilling depth. Refer to the Operation Section.

## Starting the Engine



**WARNING!** Read, understand, and follow all instructions and warnings on the machine and in this manual before operating.

**NOTE:** When pushing the tiller with the engine off, you will hear a ratcheting sound or gear noise; this is normal.



**WARNING!** Be sure no one is standing in front of the tiller while the engine is running or being started.

Place the gear selection lever in NEUTRAL and follow the instructions in the Engine Operator's manual to start the engine.

**NOTE:** After starting and prior to using the tiller for the first time, be certain to check the clutch adjustment as described in Maintenance & Adjustments Section.

## Stopping the Engine

Refer to the Engine Operator's Manual for engine stopping information.

**NOTE:** After the first ten hours of operation, recheck the clutch adjustment. Refer to Clutch Cable adjustment in the Assembly & Set-Up section.

## Setting The Depth

Tilling depth is controlled by the depth stake which can be adjusted to five different settings. Adjust the side shields as you adjust the depth stake.



**WARNING!** Be certain spark plug wire is disconnected and grounded against the engine when performing any adjustments.

1. When using the tiller for the first time, use the second adjustment hole from the top (1" of tilling depth). See Fig. 5-1.

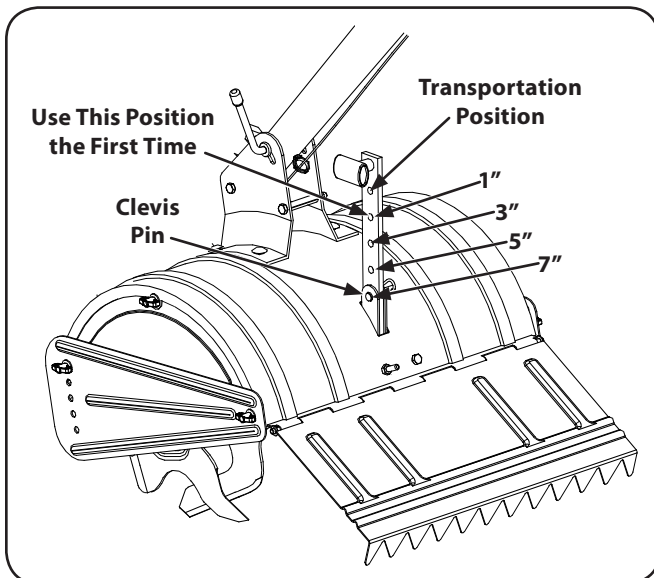


Figure 5-1

2. When breaking up sod and for shallow cultivation, use the setting which gives 1" of tilling depth (second hole from the top). Place the side shields in their lowest position. See Fig. 5-2.

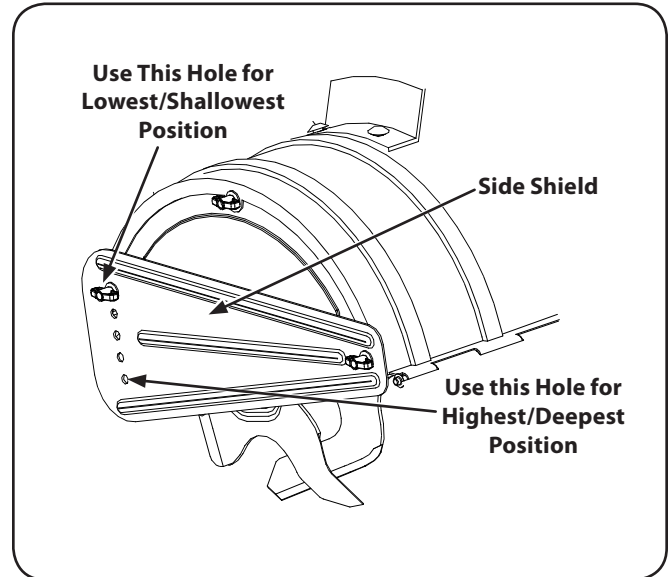


Figure 5-2

3. For further depth, raise the depth stake and side shields and also make one or two more passes over the area.
4. When tilling loose soil, the depth stake may be raised to its highest position (use the bottom adjustment hole) to give the deepest tilling depth. Raise the side shields to their highest position.
5. To transport the tiller, lower the depth stake and use the top adjustment hole.
6. To adjust the depth stake, remove the clevis pin and hairpin clip. Move the depth stake to the desired setting and secure with the clevis pin and hairpin clip. See Fig. 5-1.
7. To adjust the side shields, remove the wing nuts. Move the side shield to the desired position and replace the wing nuts. Tighten securely. See Fig. 5-2.

## Operating the Tiller

1. Select the depth stake setting.
2. Start the engine as instructed on the previous page.
3. Move the gear selection handle to one of the forward modes or reverse.



**WARNING!** Do not move the gear selection handle with the wheels or tines engaged. Make certain the tiller is stopped completely before changing the gear selection. A partial engagement may be necessary when engaging tines.

4. To shift into forward wheels and tine drive, push forward slightly on the gear selection handle and slowly engage the clutch control allowing the gears to synchronize. To stop forward movement and tine drive, release the clutch control. Do not shift gears with the clutch control engaged except when engaging the tines.

**NOTE:** Use the reverse tine drive when tilling virgin ground, sod, or hard soil. Use the forward tine drive when cultivating or tilling soft ground.

5. Squeeze the clutch handle against the handle to engage the wheels and tines.

**NOTE:** Make certain the gear selection indicator is correctly positioned before engaging the clutch handle. If it is between the gears, the engine will stall.

6. To transport the tiller, do not engage the tines. Select the wheel drive only.



**WARNING!** Do not push down on the handles so that the wheels are lifted off the ground while using the tine drive, or the tiller could move backward and cause personal injury.

7. For best results, it is recommended the garden be tilled twice (lengthwise, then width-wise) to pulverize the soil.



**WARNING!** Disconnect the spark plug wire and ground it against the engine before performing any maintenance or repairs.

## Maintenance

### Engine

Refer to the separate Engine Operator's Manual for engine maintenance instructions.

### Tires

Recommended operating tire pressure is approximately 20 p.s.i. on 16 inch tires. (Check the sidewall of the tire for the manufacturer's recommended pressure). Maximum tire pressure under any circumstances is 30 p.s.i. Equal tire pressure should be maintained on both tires.



**WARNING!** Excessive pressure (over 30 p.s.i.) when seating beads may cause the tire/rim assembly to burst with force sufficient to cause serious injury.

### Tines

Clean the underside of the tine shield after each use. The dirt washes off the tines easier if rinsed off immediately instead of after it dries. Always towel dry the tiller afterwards and apply a light coat of oil or silicone to prevent rusting or water damage.

**NOTE:** Never use a "pressure washer" to clean your tiller. Water can penetrate tight areas of the tiller and its chain case and cause serious damage to the tiller.

## Lubrication

### Transmission

The transmission is pre-lubricated and sealed at the factory. It requires no checking unless the transmission is disassembled. To fill with grease, lay the right half of the transmission on its side, add 22 ounces of Benalene 920 grease, and assemble the left half to it. This grease can be obtained at your nearest authorized dealer by ordering part number 737-0300 or calling the Customer Support number on page 2.

### Clutch Handle

Lubricate the pivot point on the clutch handle and the cable at least once a season with light oil. The control must operate freely in both directions.

### Pivot Points

Lubricate all the pivot points and linkages at least once a season with light oil.

### Tine Shafts

Remove the tine assemblies and lubricate the tine shafts at least once a season.

### Wheel Shafts

Remove the wheel assemblies and lubricate the axle shafts at least once a season.

## Adjustments



**WARNING!** Never attempt to make any adjustments while the engine is running, except where specified in the Operator's Manual.

### Engine Adjustment

Refer to the separate Engine Operator's Manual for engine adjustment instructions.

### Idler Pulley Rod

After the belt tension has been adjusted, if the belt is excessively stretched, you may need to adjust the idler pulley rod. This can be checked easily.

With the engine off and the clutch control bail disengaged, shift the gear selection handle to each forward mode. If the indicator bracket touches the idler pulley rod with the clutch control bail disengaged, then an adjustment is necessary.

1. Disconnect and ground the spark plug wire against the engine.
2. Remove the belt cover as described under Belt Replacement in the Service section.
3. Remove the hairpin clip and spring washer from the idler pulley rod. See Fig. 6-1.

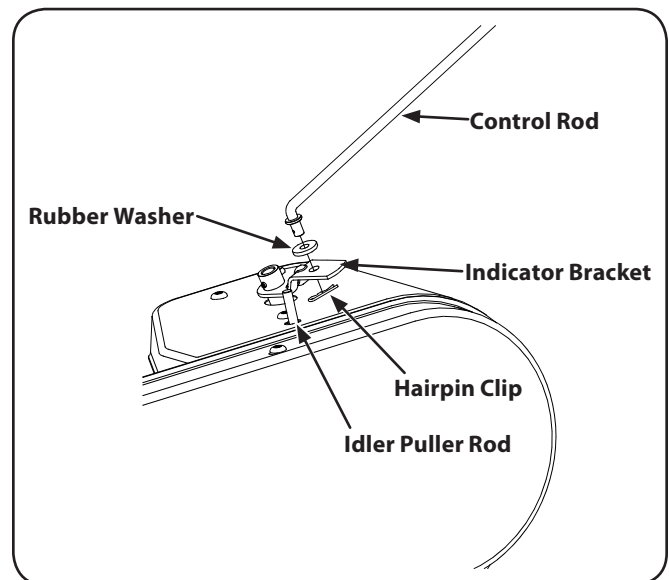


Figure 6-1

4. Move the idler pulley rod to the lower hole in the idler bracket.
5. Replace the spring washer and hairpin clip.
6. Check the clearance of the idler pulley rod to the indicator bracket by shifting to each forward mode.

### Handle Adjustment

The handle may be adjusted to the desired height. Refer to the Controls & Features Section for details.

### Belt Tension Adjustment

Periodic adjustment of the belt tension may be required due to normal stretch and wear on the belt. Adjustment is needed if the tines or wheels seem to hesitate while turning, but the engine maintains the same speed. To adjust the tension on the belt, refer to the Assembly & Set-Up Section for instructions.

**NOTE:** This Operator's Manual covers several models. Garden tiller features may vary by model. Not all features in this manual are applicable to all garden tiller models and the garden tiller depicted may differ from yours.

## Belt Replacement

Your tiller has been engineered with a belt designed for long life and optimal performance. It should never be replaced with a non-OEM belt. Order all belts through an authorized service dealer or by contacting Customer Support as instructed on page 2.

1. Disconnect and ground the spark plug wire against the engine.
2. Remove the belt cover from the left side of the tiller by removing the two screws from the top of the belt cover. See Fig. 7-1.

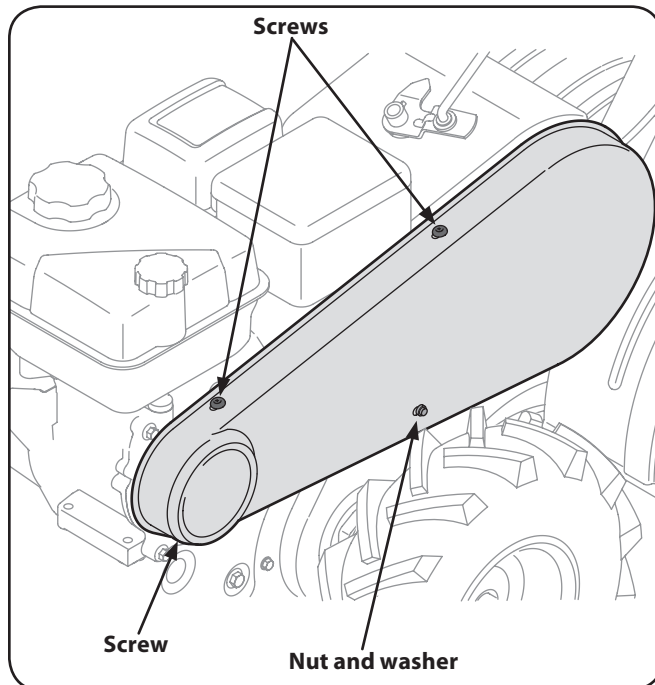


Figure 7-1

3. Remove the nut and washer from the front side of the belt cover. Remove the hex head screw at the back of the cover. See Fig. 7-1.

4. Remove the belt keeper assembly located behind the engine pulley by removing the two hex bolts and lock washers.. See Fig. 7-2.

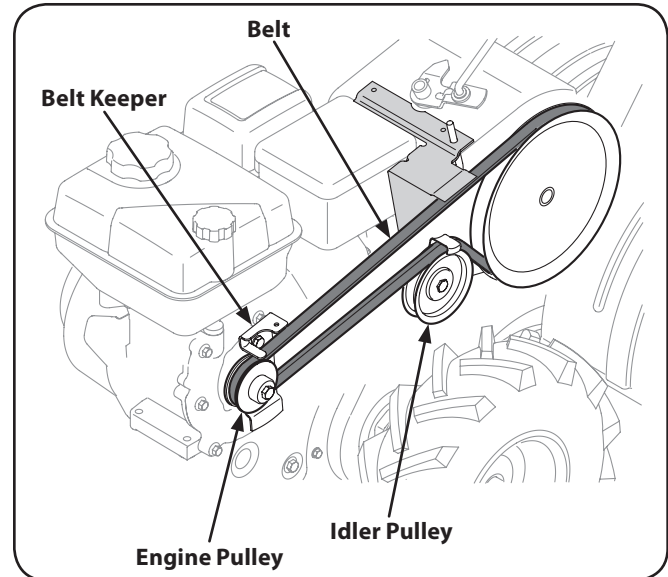


Figure 7-2

5. Remove the idler pulley by removing the bolt and nut. See Fig. 7-2.
6. Remove the old belt and install the new belt. Follow the instructions in reverse order to re-install the belt keeper and belt cover. See Fig. 7-2.

**NOTE:** Upon reassembly, make certain the belt is routed over the idler pulley and inside of belt keepers by the engine pulley.


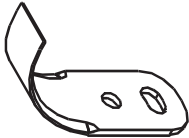

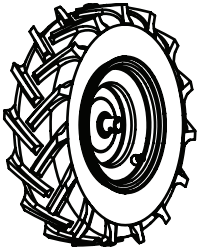

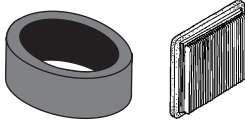
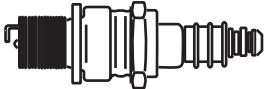
## Off-Season Storage

If the tiller will not be used for a period longer than 30 days, the following steps should be taken to prepare the tiller for storage.

- Clean the exterior of the engine and the entire tiller thoroughly. Lubricate the tiller as described in the Lubrication instructions.
- Using a pressure washer to clean your tiller is not recommended. The washer may cause damage to the electric components, spindles, pulleys, bearings or the engine. Using a pressure washers will result in shortened life and reduce serviceability.
- Refer to the Engine Operator's Manual for the correct engine storage instructions.
- Wipe the tines with an oiled rag to prevent rust.
- Store the tiller in a clean, dry area. Do not store next to corrosive materials, such as fertilizer.

**NOTE:** When storing any type of power equipment in an unventilated area or metal storage shed, care should be taken to rustproof the equipment. Using a light oil or silicone, coat the equipment and especially any springs, bearings, and cables.

Problem	Cause	Remedy
Tines do not engage	<ol style="list-style-type: none"> <li>1. Foreign object lodged in tines.</li> <li>2. Tine clevis pin(s) missing.</li> <li>3. Pulley and idler not in correct adjustment.</li> <li>4. Not shifting properly.</li> <li>5. Control cable not adjusted properly.</li> <li>6. Belt worn and/or stretched.</li> </ol>	<ol style="list-style-type: none"> <li>1. Dislodge foreign object.</li> <li>2. Replace tine clevis pin(s).</li> <li>3. Take tiller to authorized service dealer.</li> <li>4. Refer to the Operation Section for proper shifting procedures.</li> <li>5. Adjust control cable</li> <li>6. Replace belt.</li> </ol>
Tines skip over ground	<ol style="list-style-type: none"> <li>1. Improper rotation.</li> </ol>	<ol style="list-style-type: none"> <li>1. Forward rotation should only be used on soil that has already been tilled, not on virgin soil.</li> </ol>
Wheels do not engage	<ol style="list-style-type: none"> <li>1. Clevis pin missing.</li> <li>2. Tiller is not being shifted properly.</li> <li>3. Control cable not adjusted properly.</li> <li>4. Belt worn and/or stretched.</li> </ol>	<ol style="list-style-type: none"> <li>1. Replace clevis pin.</li> <li>2. Refer to Operation Section for proper shifting procedures.</li> <li>3. Adjust control cable</li> <li>4. Replace belt.</li> </ol>

Component	Part Number and Description
	954-0434 Belt, 4L x 58.16
	742-0305A-0637 Articulating Tine
	946-1117 Clutch Cable
	934-04365 Tires, 16 x 4.6 x 8
	714-04043 Cotter Pin, Tine Assembly 911-0415 Clevis Pin, Tine Assembly 714-0147 Cotter Pin, Depth Stake 911-0415 Clevis Pin, Depth Stake
	951-10794 Air Filter (Cub Cadet Engine) 17211-ZL8-023 Air Filter (Honda Engine)
	951-10292 Spark Plug (Cub Cadet Engine) 98079-56846 Spark Plug (Honda Engine)

Phone (800) 965-4CUB to order replacement parts or a complete Parts Manual (have your full model number and serial number ready). Parts Manual downloads are also available free of charge at [www.cubcadet.com](http://www.cubcadet.com).









**CUB CADET LLC**  
**MANUFACTURER'S LIMITED WARRANTY FOR**  
**EDGERS, STRING TRIMMERS & TILLERS**

The limited warranty set forth below is given by Cub Cadet LLC with respect to new merchandise purchased and used in the United States, its possessions and territories, and by MTD Products Limited with respect to new merchandise purchased and used in Canada and/or its territories and possessions.

"Cub Cadet" warrants this product (excluding its *Normal Wear Parts* as described below) against defects in material and workmanship for a period of three (3) years commencing on the date of original purchase and will, at its option, repair or replace, free of charge, any part found to be defective in materials or workmanship. This limited warranty shall only apply if this product has been operated and maintained in accordance with the Operator's Manual furnished with the product, and has not been subject to misuse, abuse, commercial use, neglect, accident, improper maintenance, alteration, vandalism, theft, fire, water, or damage because of other peril or natural disaster. Damage resulting from the installation or use of any part, accessory or attachment not approved by Cub Cadet for use with the product(s) covered by this manual will void your warranty as to any resulting damage.

*Normal Wear Parts* are warranted to be free from defects in material and workmanship for a period of thirty (30) days from the date of purchase. Normal wear parts include, but are not limited to items such as: batteries, belts, blades, tines, wheels and tires.

**HOW TO OBTAIN SERVICE:** Warranty service is available, WITH PROOF OF PURCHASE, through your local authorized service dealer. To locate the dealer in your area:

**In the U.S.A.**

To locate the dealer in your area, check your Yellow Pages, or contact Cub Cadet LLC at P.O. Box 361131, Cleveland, Ohio 44136-0019, or call 1-877-282-8684, or log on to our Web site at [www.cubcadet.com](http://www.cubcadet.com).

**In Canada**

Contact MTD Products Limited, Kitchener, ON N2G 4J1, or call 1-800-668-1238 or log on to our Web site at [www.mtdcanada.com](http://www.mtdcanada.com).

This limited warranty does not provide coverage in the following cases:

- a. The engine or component parts thereof. These items may carry a separate manufacturer's warranty. Refer to applicable manufacturer's warranty for terms and conditions.
- b. Routine maintenance items such as lubricants, filters, blade sharpening, tune-ups, brake adjustments, clutch adjustments, deck adjustments, and normal deterioration of the exterior finish due to use or exposure.

- c. Cub Cadet does not extend any warranty for products sold or exported outside of the United States and/or Canada, and their respective possessions and territories, except those sold through Cub Cadet's authorized channels of export distribution.
- d. Replacement parts that are not genuine Cub Cadet parts.
- e. Service completed by someone other than an authorized service dealer.
- f. Transportation charges and service calls.
- g. Cub Cadet does not warrant this product for commercial use.

**No implied warranty, including any implied warranty of merchantability of fitness for a particular purpose, applies after the applicable period of express written warranty above as to the parts as identified. No other express warranty, whether written or oral, except as mentioned above, given by any person or entity, including a dealer or retailer, with respect to any product, shall bind Cub Cadet. During the period of the warranty, the exclusive remedy is repair or replacement of the product as set forth above.**

**The provisions as set forth in this warranty provide the sole and exclusive remedy arising from the sale. Cub Cadet shall not be liable for incidental or consequential loss or damage including, without limitation, expenses incurred for substitute or replacement lawn care services or for rental expenses to temporarily replace a warranted product.**

Some states do not allow the exclusion or limitation of incidental or consequential damages, or limitations on how long an implied warranty lasts, so the above exclusions or limitations may not apply to you.

In no event shall recovery of any kind be greater than the amount of the purchase price of the product sold. **Alteration of safety features of the product shall void this warranty.** You assume the risk and liability for loss, damage, or injury to you and your property and/or to others and their property arising out of the misuse or inability to use the product.

This limited warranty shall not extend to anyone other than the original purchaser or to the person for whom it was purchased as a gift.

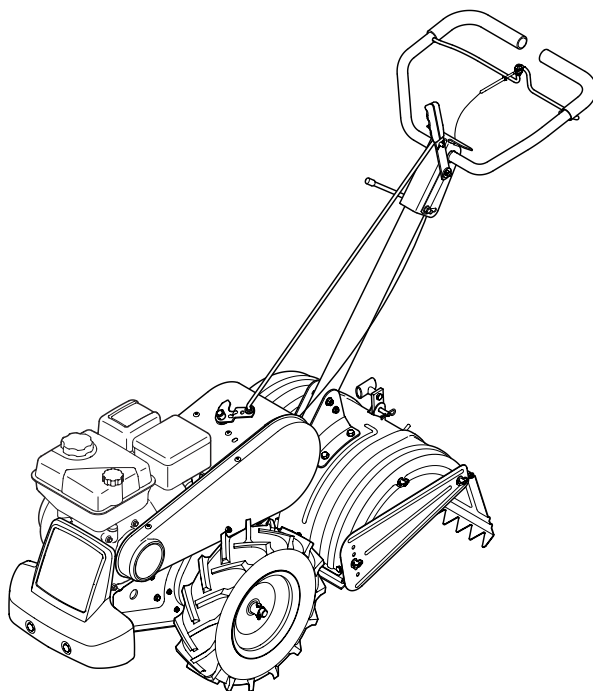
**HOW STATE LAW RELATES TO THIS WARRANTY:** This limited warranty gives you specific legal rights, and you may also have other rights that vary in different jurisdictions.

**IMPORTANT:** Owner must present Original Proof of Purchase to obtain warranty coverage.

**Cub Cadet LLC, P.O. BOX 361131 CLEVELAND, OHIO 44136-0019; Phone: 1-877-282-8684**  
**MTD Canada Limited - KITCHENER, ON N2G 4J1; Phone 1-800-668-1238**

# *Cub Cadet*<sup>®</sup>

## MANUAL DEL OPERADOR



### Cultivadora de Dientes Traseros — Modelo RT 65

#### **⚠ ADVERTENCIA**

LEA Y SIGA TODAS LAS INSTRUCCIONES DE ESTE MANUAL ANTES DE PONER EN  
FUNCIONAMIENTO ESTA MÁQUINA.  
SI NO RESPETA ESTAS INSTRUCCIONES PUEDE PROVOCAR LESIONES PERSONALES.

---

CUB CADET LLC, P.O. BOX 361131 CLEVELAND, OHIO 44136-0019

---

## Gracias

Gracias por comprar una Cultivadora fabricada por Cub Cadet LLC. La misma ha sido diseñada cuidadosamente para brindar excelente rendimiento si se la opera y mantiene correctamente.

Por favor lea todo este manual antes de operar el equipo. Le indica cómo configurar, operar y mantener la máquina con seguridad y fácilmente. Por favor asegúrese de seguir cuidadosamente y en todo momento las prácticas de seguridad recomendadas, y hacérselas seguir a cualquier otra persona que opere la máquina. En caso de no hacerlo podrían producirse lesiones personales o daños materiales.

Toda la información contenida en este manual hace referencia a la más reciente información de producto disponible en el momento de la impresión. Revise el manual frecuentemente para familiarizarse con la unidad, sus características y funcionamiento. Por favor tenga en cuenta que este Manual del Operador puede cubrir una gama de especificaciones de productos de diferentes modelos. Las características y funciones incluidas y/o ilustradas en este manual pueden no ser aplicables a todos los modelos.

Reservamos el derecho de modificar las especificaciones de los productos, los diseños y el equipo estándar sin previo aviso y sin generar responsabilidad por obligaciones de ningún tipo.

Si tiene algún problema o duda respecto a la unidad, llame a un distribuidor de servicio Cub Cadet autorizado o póngase en contacto directamente con nosotros. Los números de teléfono, dirección del sitio web y dirección postal de la Asistencia al Cliente de Cub Cadet se encuentran en esta página. Queremos garantizar su entera satisfacción en todo momento.

En este manual, las referencias al lado *derecho* o *izquierdo* de la máquina se observan desde la posición del operador.

El fabricante del motor es el responsable de todas las cuestiones relacionadas con el rendimiento, potencia de salida, especificaciones, garantía y mantenimiento del motor. Para obtener mayor información consulte el Manual del Propietario / Operador entregado por el fabricante del motor, que se envía, en un paquete por separado, junto con su unidad.

## Índice

<b>Importante Medidas importantes de seguridad..</b>	<b>3</b>	<b>Mantenimiento y Ajustes.....</b>	<b>13</b>
<b>Ensamblado y Configuración.....</b>	<b>7</b>	<b>Servicio.....</b>	<b>15</b>
<b>Controles y Características.....</b>	<b>10</b>	<b>Solución de Problemas.....</b>	<b>16</b>
<b>Funcionamiento.....</b>	<b>11</b>	<b>Garantía.....</b>	<b>Cubierta posterior</b>

## Registro de información de producto

Antes de configurar y operar su equipo nuevo, por favor localice la placa del modelo en el equipo y registre la información en el área situada a la derecha. Para encontrar la placa de modelo, colóquese detrás de la unidad en la posición del operador y mire hacia la parte inferior de la sección trasera del chasis. Si tiene que solicitar soporte técnico a través de nuestro sitio web, el Departamento de Asistencia al Cliente, o de un distribuidor de servicio autorizado local, necesitará esta información.

### NÚMERO DE MODELO

--	--	--	--	--	--	--	--	--	--	--	--

### NÚMERO DE SERIE

--	--	--	--	--	--	--	--	--	--	--	--

## Asistencia al Cliente

**Por favor, NO devuelva la unidad al minorista o distribuidor sin ponerse en contacto primero con el Departamento de Asistencia al Cliente.**

En caso de tener problemas para montar este producto o de tener dudas con respecto a los controles, funcionamiento o mantenimiento del mismo, puede solicitar la ayuda de expertos. Elija entre las opciones que se presentan a continuación:

- ◇ Visite nuestro sitio web en [www.cubcadet.com](http://www.cubcadet.com)
- ◇ Llame a un representante de Asistencia al Cliente al (800) 965-4CUB
- ◇ Escribanos a Cub Cadet LLC • P.O. Box 361131 • Cleveland, OH • 44136-0019



**¡ADVERTENCIA!** La presencia de este símbolo indica que se trata de instrucciones importantes de seguridad que se deben respetar para evitar poner en peligro su seguridad personal y/o material y la de otras personas. Lea y siga todas las instrucciones de este manual antes de poner en funcionamiento esta máquina. Si no respeta estas instrucciones puede provocar lesiones personales.

Cuando vea este símbolo. **¡TENGA EN CUENTA LAS ADVERTENCIAS!**

## PROPOSICIÓN 65 DE CALIFORNIA



**¡ADVERTENCIA!** El escape del motor de este producto, algunos de sus componentes y algunos componentes del vehículo contienen o liberan sustancias químicas que el estado de California considera que pueden producir cáncer, defectos de nacimiento u otros problemas reproductivos.



**¡ADVERTENCIA!** Los bornes de la batería y los accesorios afines contienen plomo y compuestos de plomo, sustancias químicas que según lo establecido por el Estado de California causan cáncer y daños en el sistema reproductivo. *Lávese las manos después de estar en contacto con estos componentes.*



**¡PELIGRO!** Esta máquina está diseñada para ser utilizada respetando las normas de seguridad contenidas en este manual. Al igual que con cualquier tipo de equipo motorizado, un descuido o error por parte del operador puede producir lesiones graves. Esta máquina es capaz de amputar dedos (de las manos y/o los pies), manos y pies. De no respetar las instrucciones de seguridad siguientes se pueden producir lesiones graves o la muerte.

### Capacitación

1. Lea, entienda y cumpla todas las instrucciones incluidas en la máquina y en el(los) manual(es) antes de intentar realizar el montaje de la unidad y utilizarla. Guarde este manual en un lugar seguro para consultas futuras y periódicas, así como para solicitar repuestos.
2. Familiarícese con todos los controles y con el uso adecuado de los mismos. Sepa cómo detener la máquina y desactivar los controles rápidamente.
3. No permita nunca que los niños menores de 14 años utilicen esta máquina. Los niños de 14 años en adelante deben leer y entender las instrucciones de operación y normas de seguridad contenidas en este manual y en la máquina y deben ser entrenados y supervisados por un adulto.
4. Nunca permita que los adultos operen esta máquina sin recibir antes la instrucción apropiada.
5. Mantenga el área de operación despejada de personas, particularmente de niños pequeños y mascotas. Detenga la máquina si alguien se acerca.

### Preparativos

1. Inspeccione minuciosamente el área donde utilizará el equipo. Quite las piedras, palos, alambres y otros objetos extraños con los que se pueda tropezar y provocar lesiones personales.
2. Utilice zapatos de trabajo resistentes, de suela fuerte, así como pantalones y camisas ajustados. Las prendas sueltas y las alhajas se pueden enganchar en las piezas móviles. Nunca opere la máquina descalzo o con sandalias.
3. Antes de arrancar el motor, desenganche las palancas del embrague y desplácelas (en caso de haber) a la posición neutral ("N").
4. Nunca deje la máquina en funcionamiento sin vigilancia.
5. Nunca intente realizar ajustes mientras el motor está en marcha excepto en los casos específicamente recomendados en el manual del operador.

## Manejo seguro de la gasolina:

Para evitar lesiones personales o daños materiales tenga mucho cuidado cuando trabaje con gasolina. La gasolina es sumamente inflamable y sus vapores pueden causar explosiones. Si se derrama gasolina encima o sobre la ropa se puede lesionar gravemente ya que se puede incendiar. Lávese la piel y cámbiese de ropa de inmediato.

- a. Utilice sólo los recipientes para gasolina autorizados.
- b. Nunca llene los recipientes en el interior de un vehículo o camión o caja de remolque con recubrimiento plástico. Antes de llenarlos, coloque siempre los recipientes en el suelo y lejos del vehículo.
- c. Cuando sea factible, retire el equipo a gasolina del camión o remolque y llénelo en el suelo. Si esto no es posible, llene el equipo en un remolque con un contenedor portátil, en vez de hacerlo con una boquilla dispensadora de gasolina.
- d. Mantenga la boquilla de llenado en contacto con el borde del depósito de combustible o con la abertura del recipiente en todo momento, hasta terminar la carga. No utilice un dispositivo de boquilla de apertura/cierre.
- e. Apague todos los cigarrillos, cigarros, pipas y otras fuentes de combustión.
- f. Nunca cargue combustible en la máquina en un espacio cerrado.
- g. Nunca saque la tapa de la gasolina ni agregue combustible mientras el motor está caliente o en marcha. Deje que el motor se enfríe por lo menos dos minutos antes de volver a cargar combustible.
- h. Nunca llene en exceso el depósito de combustible. Llene el tanque no más de ½ pulgada por debajo de la base del cuello del tapón de carga, para dejar espacio para la expansión del combustible.
- i. Vuelva a colocar la tapa de la gasolina y ajústela bien.
- j. Limpie el combustible que se haya derramado sobre el motor y el equipo. Traslade la máquina a otra zona. Espere 5 minutos antes de encender el motor.
- k. Para reducir el riesgo de incendio, mantenga la máquina limpia de pasto, hojas y de acumulación de otros residuos. Limpie los derrames de aceite o combustible y saque todos los residuos embebidos en combustible.
- l. Nunca guarde la máquina o el recipiente de combustible en un espacio cerrado donde haya fuego, chispas o luz piloto, como por ejemplo de calentadores de agua, calefactores de ambientes, hornos, secadores de ropa u otros aparatos a gas.

## Funcionamiento

1. No coloque las manos ni los pies cerca de las piezas giratorias. El contacto con las piezas giratorias puede resultar en la amputación de manos o pies.
2. No utilice la máquina bajo la influencia del alcohol o las drogas.
3. Nunca opere esta máquina sin buena visibilidad o iluminación. Siempre debe estar seguro de que está bien afirmado y sujetando firmemente las manijas.
4. Mantenga a los transeúntes alejados de la máquina mientras la misma está en funcionamiento. Detenga la máquina si alguien se acerca.

5. Tenga cuidado cuando labore tierras duras. Los dientes pueden clavarse en la tierra e impulsar la cultivadora hacia adelante. Si esto ocurre, suelte el manubrio y deje la máquina libre.
6. Sea sumamente precavido cuando opere la máquina sobre una superficie con grava o cuando la cruce. Manténgase alerta por si se presentan peligros ocultos o tránsito. No transporte pasajeros.
7. Nunca utilice la máquina a altas velocidades de desplazamiento sobre superficies duras o resbaladizas.
8. Tenga cuidado para evitar resbalar o caerse.
9. Mire hacia abajo y hacia atrás y tenga cuidado cuando se desplace en marcha atrás o cuando jale de la máquina hacia usted.
10. Arranque el motor de acuerdo con las instrucciones del manual y mantenga los pies alejados de los dientes en todo momento.
11. Después de golpear con algún objeto extraño, detenga el motor, desconecte el cable de la bujía y conecte el motor a masa. Inspeccione minuciosamente la máquina para ver si está dañada. Repare el daño antes de arrancar y utilizar la máquina.
12. Desenganche todas las palancas de embrague (en caso de haber) y detenga el motor antes de dejar la posición de operación (detrás de las manijas). Espere hasta que los dientes se detengan completamente antes de limpiarlos, hacer algún ajuste o inspeccionarlos.
13. Nunca encienda el motor en espacios cerrados o en una zona con poca ventilación. El escape del motor contiene monóxido de carbono, un gas inodoro y letal.
14. El silenciador y el motor se calientan y pueden causar quemaduras. No los toque.
15. Tenga precaución cuando labore terreno cerca de vallas, edificios y servicios subterráneos. Los dientes rotatorios pueden causar daños materiales o lesiones personales.
16. No sobrecargue la capacidad de la máquina intentando labrar el suelo a un nivel demasiado profundo o a una velocidad demasiado rápida.
17. Si la máquina arranca haciendo un sonido o una vibración rara, detenga el motor, desconecte el cable de la bujía y conéctelo a masa contra el motor. Inspeccione la máquina minuciosamente para ver si está dañada. Repare todos los daños antes de encender y operar la máquina.
18. Mantenga todos los escudos, protectores y dispositivos de seguridad en su lugar y en correcto funcionamiento.
19. Nunca levante o transporte la máquina cuando el motor está encendido.
20. Use sólo aditamentos y accesorios aprobados por el fabricante. Si no lo hace, pueden producirse lesiones personales.
21. Si se presentan situaciones que no están previstas en este manual, tenga cuidado y use el sentido común. Póngase en contacto con Asistencia al Cliente para solicitar ayuda y el nombre del distribuidor de servicio más cercano.

## Mantenimiento y Almacenamiento

1. Mantenga la máquina, los aditamentos y accesorios en condiciones de funcionamiento seguro.
2. Deje que la máquina se enfríe por lo menos cinco minutos antes de guardarla. Nunca altere los dispositivos de seguridad. Controle periódicamente que funcionen correctamente.
3. Controle frecuentemente que todos los pernos y tornillos estén bien ajustados para comprobar que la máquina se encuentra en condiciones seguras de funcionamiento. Además, haga una inspección visual de la máquina para verificar si está dañada.



4. Antes de limpiar, reparar o inspeccionar la máquina, detenga el motor y asegúrese de que los dientes y todas las partes móviles se hayan detenido. Desconecte el cable de la bujía y póngalo haciendo masa contra el motor para evitar que se encienda accidentalmente.
5. No cambie la configuración del regulador del motor ni lo opere a sobrevelocidad. El regulador del motor controla la velocidad máxima de funcionamiento seguro del motor.
6. Mantenga o reemplace las etiquetas de seguridad e instrucciones según sea necesario.
7. Siga las instrucciones de este manual para cargar, descargar, transportar y almacenar de manera segura esta máquina.
8. Si la máquina se va a almacenar por un período prolongado, consulte siempre el manual del operador para ver los detalles importantes que sean necesarios.
9. Si debe vaciar el tanque de combustible, hágalo al aire libre.
10. Respete las normas referentes a la disposición correcta de residuos y las reglamentaciones sobre gasolina, aceite, etc. para proteger el medio ambiente.
11. Según la Comisión de Seguridad de Productos para el Consumidor de los Estados Unidos (CPSC) y la Agencia de Protección Ambiental de los Estados Unidos (EPA), este producto tiene una *vida útil media* de siete (7) años ó 130 horas de funcionamiento. Al finalizar la *vida útil media*, adquiera una máquina nueva o haga inspeccionar anualmente esta unidad por un distribuidor de servicio autorizado para cerciorarse de que todos los sistemas mecánicos y de seguridad funcionan correctamente y no tienen excesivo desgaste. Si no lo hace, pueden producirse accidentes, lesiones o la muerte.

## Aviso referido a emisiones

Los motores que están certificados y cumplen con las regulaciones de emisiones federales EPA y de California para SORE (Equipos pequeños todo terreno) están certificados para operar con gasolina común sin plomo y pueden incluir los siguientes sistemas de control de emisiones: Modificación de motor (EM) y catalizador de tres vías (TWC) si están equipados de esa manera.

## Amortiguador de chispas



**¡ADVERTENCIA!** Esta máquina está equipada con un motor de combustión interna y no debe ser utilizada en un terreno agreste cubierto por bosque, malezas o hierba ni cerca del mismo excepto que el sistema de escape del motor esté equipado con un amortiguador de chispas que cumpla con las leyes locales o estatales correspondientes (en caso de haber).

Si se utiliza un amortiguador de chispas el operador lo debe mantener en condiciones de uso adecuadas. En el Estado de California las medidas anteriormente mencionadas son exigidas por ley (Artículo 4442 del Código de Recursos Públicos de California). Es posible que existan leyes similares en otros estados. Las leyes federales se aplican en territorios federales. Puede conseguir el amortiguador de chispas para el silenciador a través de su distribuidor de mantenimiento de motores autorizado más cercano o poniéndose en contacto con el departamento de servicios, Apartado Postal 361131 Cleveland, Ohio 44136-0019.

## Símbolos de Seguridad

Esta página describe los símbolos y figuras de seguridad internacionales que pueden aparecer en este producto. Lea el manual del operador para obtener la información terminada sobre seguridad, reunirse, operación y mantenimiento y reparación.

Símbolo	Descripción
	<b>LEA EL MANUAL DEL OPERADOR (S)</b> Lea, entienda, y siga todas las instrucciones en el manual (es) antes de intentar reunirse y funcionar.
	<b>LA ADVERTENCIA — LOS DIENTES ROTATIVO</b> No ponga manos o pies cerca del giro de partes. Contacto con las partes rotativas puede amputar manos y pies.
	<b>LA ADVERTENCIA — LOS DIENTES ROTATIVO</b> No ponga manos o pies cerca del giro de partes. Contacto con las partes rotativas puede amputar manos y pies.
	<b>GASOLINA DE ADVERTENCIA ES INFLAMABLE</b> Permita que el motor se enfríe al menos dos minutos antes del reabastecimiento de combustible.
	<b>ADVERTENCIA — MONÓXIDO DE CARBONO</b> Nunca dirijas un motor dentro o en un área mal ventilada. Los gases de combustión de motor contienen el monóxido de carbono, un gas inodoro y mortal.
	<b>ADVERTENCIA — SUPERFICIE CALIENTE</b> Las partes del motor, especialmente el silenciador, llega a ser muy caliente durante la operación. Permita motor y silenciador para ponerse frío antes de tocar.



**¡ADVERTENCIA!** Su responsabilidad—Restrinja el uso de esta máquina motorizada a las personas que lean, comprendan y respeten las advertencias e instrucciones que figuran en este manual y en la máquina.

**GUARDE ESTAS INSTRUCCIONES**

## El Contenido del Cartón

- Un Cultivadora
- Un Unidad de la Manija
- Un Varilla de control
- Un Depth Stake
- Un Manual de Operario
- Un Manual de Operario de Motor

**NOTA:** Este Manual abarca varios modelos. características Jardín caña puede variar según el modelo. No todas las características de este manual son aplicables a todos los modelos de jardín timón y la caña del timón jardín presentados pueden diferir de la suya.

**NOTA:** Las referencias a la derecha oa la izquierda de la caña se determina a partir de la posición del operador detrás de la máquina. Todas las excepciones se señaló.



**¡ADVERTENCIA!** Para evitar lesiones personales o daños materiales, no arranque el motor hasta que todas las fases del montaje están completos y que he leído y entiendo la Normas de funcionamiento seguro y la Sección de operación en este manual.

## Montaje

### Desembalar Instrucciones

**NOTA:** Las referencias al lado derecho o izquierdo de la cultivadora se determinan desde la parte posterior de la unidad en la posición de operación.

1. Saque las grapas, rompa el pegamento de las aletas superiores o corte la cinta del extremo de la caja y tire a lo largo de la aleta superior para abrirla.
2. Quite las partes sueltas que se incluyen con su unidad (por ejemplo, el manual del operador, etc.).
3. Corte a lo largo de las esquinas, extienda la caja plana hacia abajo.
4. Retire el material de empaque.
5. Deslice la unidad hasta sacarla de la caja de cartón. Revise minuciosamente la caja para detectar la presencia de piezas sueltas.
6. Estire el cable de control y extiéndalo en el piso. Tenga cuidado de no doblar ni torcer el cable de control.

**NOTA:** Esta unidad se envía sin gasolina ni aceite en el motor. Antes de operar la máquina cargue el motor con gasolina y aceite como se indica en el manual del motor por separado.

### Estaca de profundidad



**¡ADVERTENCIA!** Desconecte el cable de la bujía y póngalo haciendo masa contra el motor para evitar que se encienda accidentalmente.

1. Incline la cultivadora hacia adelante hasta que descansa sobre el contrapeso frontal.
2. Desenrosque la perilla en "T" de la parte superior de la estaca de profundidad y retire la arandela plana y el perno hexagonal. Saque el broche de horquilla de la chaveta de horquilla. Vea la Fig. 3-1.

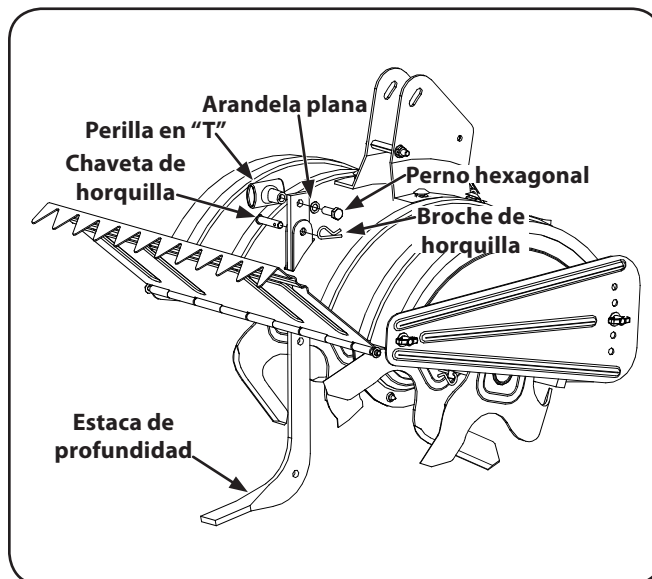


Figura 3-1

3. Levante el montaje de la aleta con bisagras del protector de dientes e inserte el montaje de la estaca de profundidad en la ranura (debajo del protector) y para arriba por el montaje protector de dientes.
4. Inserte la chaveta de horquilla en los montajes del protector de dientes y de la estaca de profundidad. Asegure con el broche de horquilla.
5. Inserte un perno hexagonal en el orificio superior del montaje de la estaca de profundidad. Coloque la arandela plana sobre el perno hexagonal y enrosque la perilla en "T" en el perno. Ajuste bien. Vea la Fig. 3-1.
6. Incline la cultivadora hacia atrás nuevamente hasta que descansa sobre los dientes.

## Manija

1. Retire los dos pernos superiores y las tuercas de seguridad con reborde de los soportes de montaje de la manija, pero no retire el perno y la tuerca inferiores. Vea la Fig. 3-2.

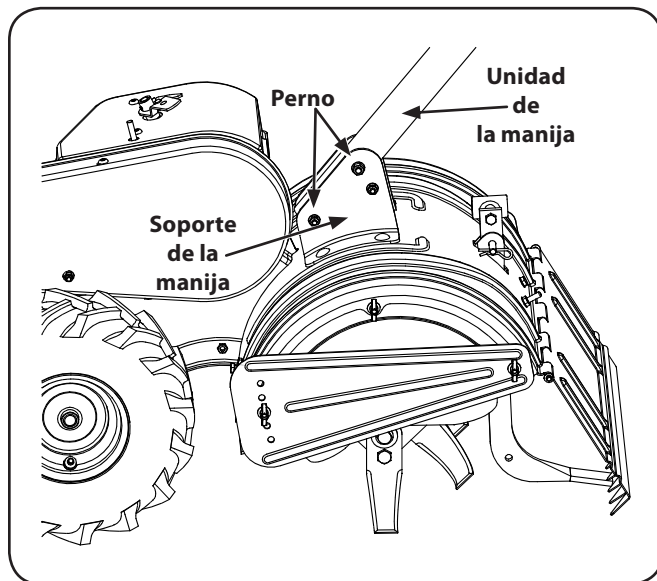


Figura 3-2

2. Posicione la unidad de la manija entre los soportes de montaje de la manija.
3. Haga coincidir los orificios de la manija con los orificios del soporte y fije con los accesorios previamente extraídos.

## Cable del Embrague

Fije el cable del embrague a la manija de la siguiente manera: (tenga cuidado de no torcer el cable)

1. Quite el perno de ojo roscado y la tuerca del extremo del cable.
2. Conduzca el cable del embrague por el lado derecho de los soportes de montaje de la manija y por debajo de la manija.
3. Empuje el cable a través del orificio del centro de la manija e introduzca a presión el accesorio plástico. Vea la Fig. 3-3.

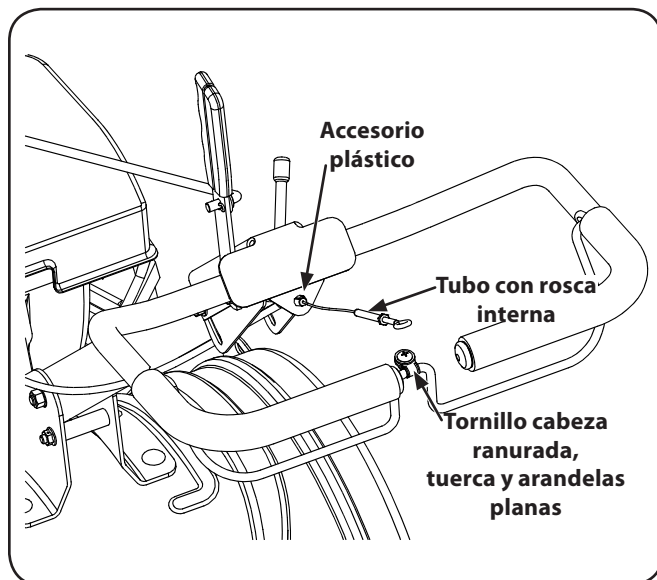


Figura 3-3

4. Retire el tornillo de cabeza ranurada, la tuerca y las dos arandelas planas del gancho del embrague. Vea la Fig. 3-4.

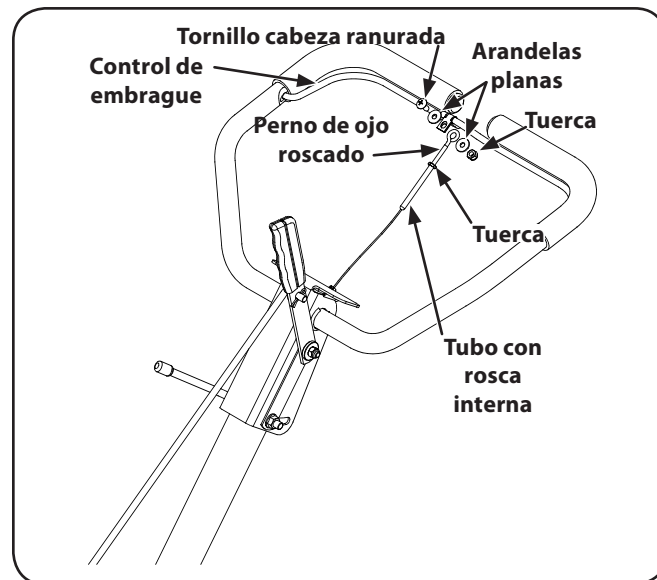


Figura 3-4

5. Fije el perno de ojo roscado al gancho sujetándolo desde arriba con el tornillo de cabeza ranurada, las arandelas planas y la tuerca de seguridad.
6. Enrosque el perno de ojo y la tuerca que quitara anteriormente en el tubo con rosca interna que está en el extremo del cable. Debe enroscar un trozo de alrededor de  $\frac{3}{4}$ ". Ajuste la tuerca contra el tubo en el extremo del cable. Vea la Fig. 3-4.

**NOTA:** No ajuste demasiado el cable de embrague. Demasiada tensión podría romperlo.



**¡ADVERTENCIA!** Asegúrese de comprobar el ajuste del cable de embrague antes de hacer funcionar la cultivadora.

7. Vea la Mantenimiento y Ajuste la sección para instrucciones en el ajuste del cinturón de embrague.

## Varilla de Control

1. Asegúrese de que la unidad de la manija esta en la posición más alta. Consulte la sección Conozca la cultivadora.
2. Retire los broches de horquilla de la varilla de control (las arandelas de goma deben quedar en la varilla de control).
3. Inserte el extremo más corto, (en ángulo) de la varilla de control dentro del soporte del indicador de la cubierta de cambios y asegure con el broche de horquilla que quitara anteriormente. Vea la Fig. 3-5.

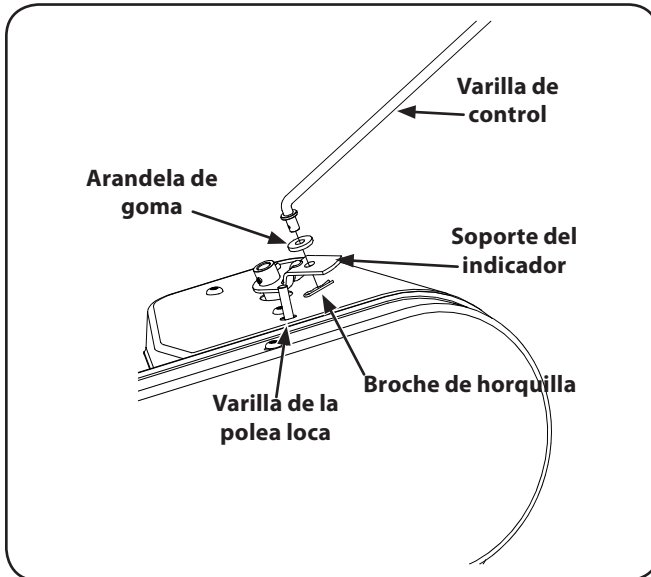


Figura 3-5

4. Inserte el extremo más largo de la varilla de control en el orificio de la manija selectora de cambios y asegure con un broche de horquilla. Vea la Fig. 3-6..

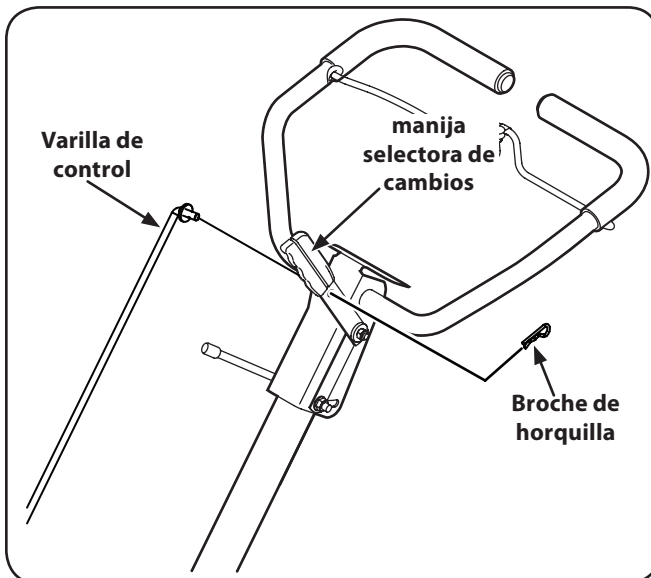


Figura 3-6

## Configuración

### Neumáticos

Tal vez los neumáticos de la unidad hayan sido inflados en exceso para el envío del producto. Reduzca la presión de los neumáticos antes de operar la unidad. La presión de funcionamiento recomendada para los neumáticos es de aproximadamente 210 p.s.i. (consulte en los laterales de los neumáticos la presión recomendada por el fabricante). Esté seguro que ambas llantas son hinchadas igualmente o la unidad tirará a un lado.

### Carga de Gas y Aceite

Cargue el motor con gasolina y aceite como se indica en el manual del motor que se entrega con la cultivadora. Lea las instrucciones con atención.



**¡ADVERTENCIA!** Sea sumamente cuidadoso al manipular la gasolina. La gasolina es sumamente inflamable y sus vapores pueden causar explosiones. Nunca cargue combustible en la máquina en un espacio cerrado o cuando el motor está caliente o en marcha.

### Ajustes

#### Embrague

1. Posicione la cultivadora para que el contrapeso frontal quede contra un objeto sólido, tal como una pared.
2. Con la palanca de cambios en NEUTRAL, arranque el motor. Consulte el manual del motor que lo acompaña.
3. Desde el lado derecho de la cultivadora, examine la correa (dentro de la cubierta de la correa). No debe estar girando..



**¡ADVERTENCIA!** No ponga los dedos debajo de la cubierta de la correa.

4. Si la correa gira sin conectar el gancho, ajuste desenroscando algunas vueltas en el sentido de las agujas del reloj (parado en la posición del operador) el tubo con rosca interna y luego volviendo a ajustar la tuerca contra el tubo.
5. Mueva ahora la palanca de cambios a la posición FORWARD (Marcha directa).
6. Con cuidado enganche el embrague levantando el gancho de control del embrague contra la manija. Las ruedas deben girar. Si las ruedas no giran cuando la unidad está en directa, ajuste desenroscando algunas vueltas en el sentido de las agujas del reloj (parado en la posición del operador).
7. El tubo con rosca interna y luego volviendo a ajustar la tuerca contra el tubo.
8. Vuelva a comprobar los ajustes y repita si es necesario.

**NOTA:** Se dispone de un ajuste de cable secundario si llega a un punto donde hace falta un ajuste adicional. Retire la cubierta de la correa y mueva las tuercas hexagonales del otro extremo del cable hacia el final de la carcasa. Luego reajuste las tuercas hexagonales de la manija.

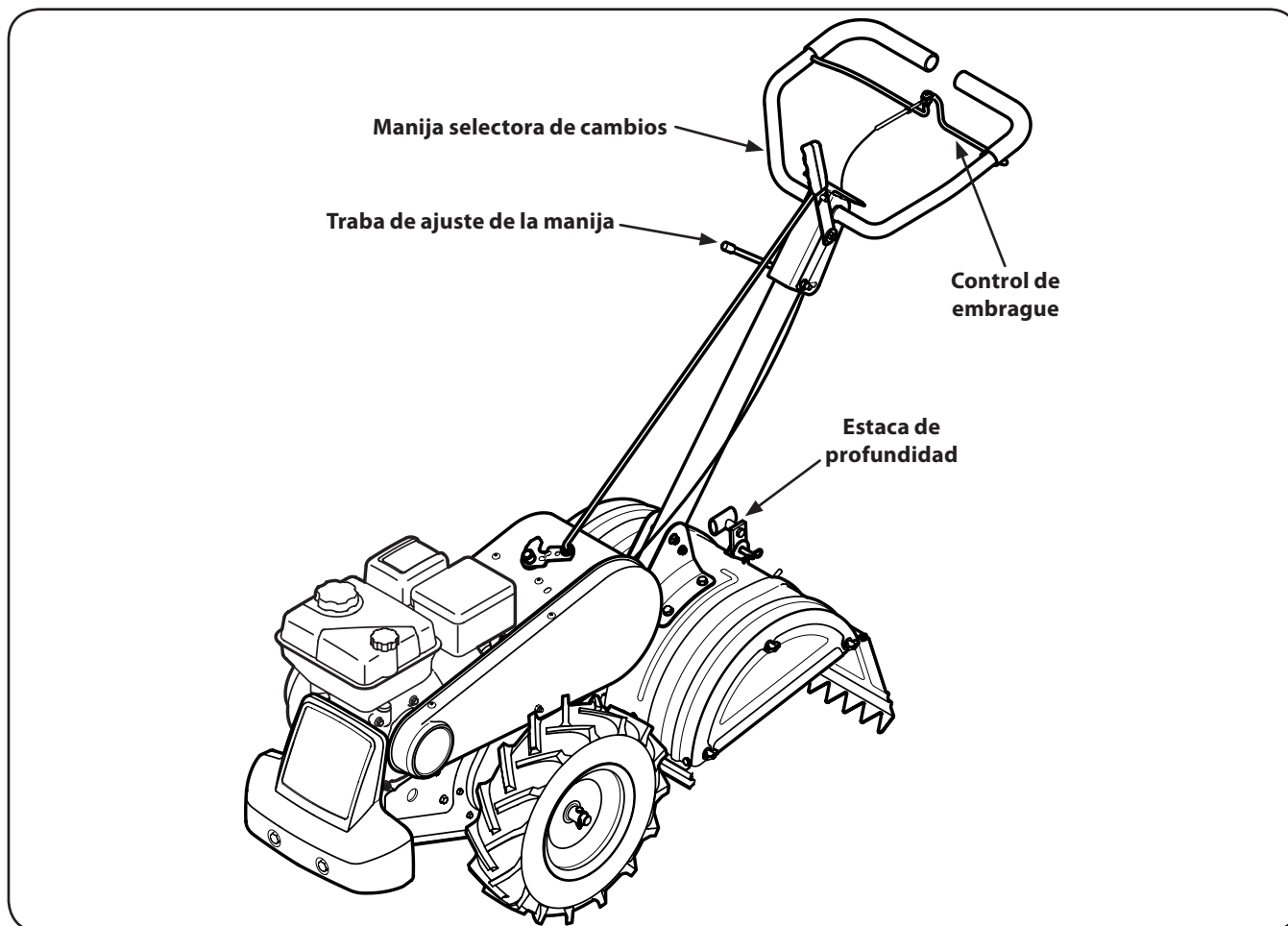


Figura 4-1

**NOTA:** Este Manual abarca varios modelos. características Jardín caña puede variar según el modelo. No todas las características de este manual son aplicables a todos los modelos de jardín timón y la caña del timón jardín presentados pueden diferir de la suya.

## Controles del motor

Consulte Manual de Operario de motor, por separado, para obtener información adicional y detalles sobre las funciones de los controles del motor.

## Manija selectora de cambios

La manija selectora de cambios está ubicada en el centro de la manija de la cultivadora. Se utiliza para seleccionar NEUTRAL, REVERSE, o uno de los modos de FORWARD

## Control de embrague

El control del embrague está ubicado debajo de la manija. Para engranar los mecanismos de transmisión de las ruedas y los dientes se aprieta el control del embrague contra la manija.

## Traba de ajuste de la manija

Se puede ajustar la manija a la altura deseada. Afloje la traba de ajuste de altura de la manija unas vueltas. Pivote la manija hacia arriba o abajo a la posición deseada. Ajuste la traba.

## Estaca de profundidad

La estaca de profundidad controla la profundidad de la labranza. Consulte el en la Sección de Funcionamiento.

## Encendido del motor



**¡ADVERTENCIA!** Lea, comprenda y siga todas las instrucciones y advertencias que aparecen en la máquina y en este manual antes de operarla.

**NOTA:** Cuando empuje la unidad con el motor apagado, escuchará un tableteo (de los engranajes) que es normal.



**¡ADVERTENCIA!** Asegúrese de que nadie se encuentre delante de la cultivadora mientras el motor está funcionando o en proceso de arranque..

Coloque la palanca selectora de cambios en NEUTRO y siga las instrucciones en el manual del operador del motor al arrancar el motor.

**NOTA:** Si el motor está caliente puede no ser necesario usar el cebador.

## Para detener el motor

Consulte el manual del operador del motor para detener el motor de la información.

**NOTA:** Después de las diez primeras horas de la operación, vuelva a comprobar el ajuste del embrague. Consulte el ajuste del cable del embrague en la Asamblea y Configuración sección.

## Establecimiento de la profundidad

La profundidad de labranza está controlada por la estaca de profundidad que se puede regular en cinco posiciones diferentes. Ajuste los protectores laterales al regular la estaca de profundidad.



**¡ADVERTENCIA!** Cerciórese de que el cable de la bujía está desconectado y haciendo masa contra el motor antes de realizar cualquier ajuste.

1. Cuando se utiliza la caña del timón, por primera vez, utilice el orificio de ajuste segundo de la parte superior (1" de profundidad de labranza). Véa la Fig. 5-1.

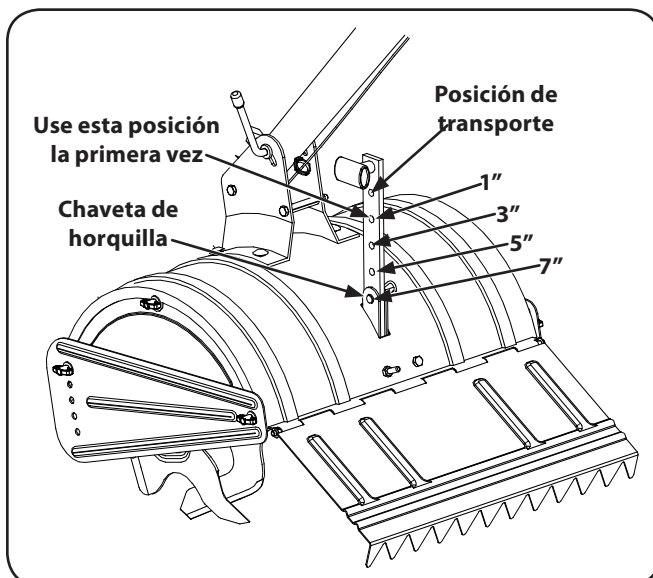


Figura 5-1

2. Al romper el césped y para el cultivo poco profundo, utilice la configuración que le da una "profundidad de la labranza (segundo agujero desde la parte superior). Coloque los protectores laterales en su posición más baja. Véa la Fig. 5-2.

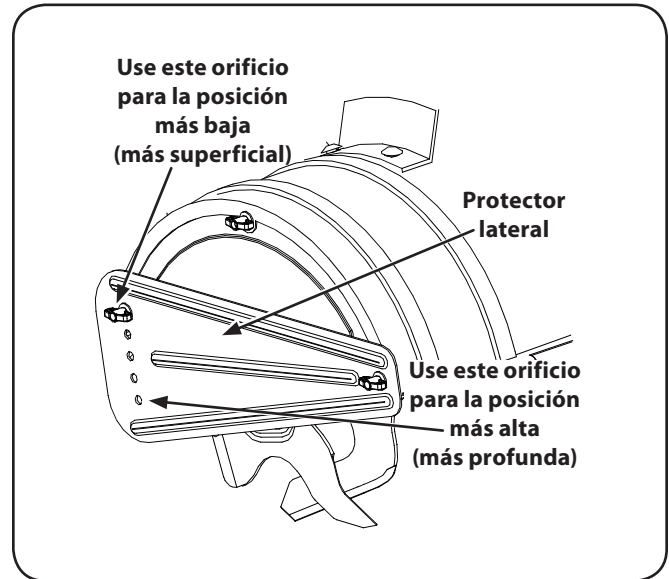


Figura 5-2

3. Para mayor profundidad, elevar la participación del fondo y protectores laterales y también hacer una o dos más pasa por encima de la zona.
4. Cuando la tierra suelta de labranza, la estaca de profundidad puede ser elevado a su posición más alta (utilizar el orificio de ajuste inferior) para dar la más profunda profundidad de labranza. Levante la protección lateral a su posición más alta.
5. Para el transporte de la caña del timón, baje la estaca de profundidad y utilizar el orificio de ajuste superior.
6. Para ajustar la profundidad de juego, quitar el pasador de horquilla y la horquilla. Mueva la estaca de profundidad en la posición deseada y asegure con el pasador de horquilla y la horquilla. Véa la Fig. 5-1.
7. Para ajustar la protección lateral, retire las tuercas de mariposa. Mueva el protector lateral a la posición deseada y vuelva a colocar las tuercas de mariposa. Apriete con seguridad. Véa la Fig. 5-2.

## Funcionamiento de la Cultivadora

1. Seleccione la posición de la estaca de profundidad.
2. Arranque el motor según las instrucciones de la página anterior.
3. Mueva la manija selectora de cambios a uno de los modos de marcha directa o marcha atrás..



**¡ADVERTENCIA!** No mueva la manija selectora de cambios con las ruedas o dientes enganchados. Cerciórese de que la unidad se haya detenido completamente antes de cambiar de marcha. Para engranar los dientes puede ser necesario hacer un enganche parcial.

4. Para pasar la transmisión a marcha directa de las ruedas y de los dientes, empuje un poco hacia adelante la manija selectora de cambios y enganche lentamente el control del embrague para que los engranajes se sincronicen. Para detener el movimiento hacia adelante y la marcha de los dientes, libere el control del embrague. No cambie de marcha con el control del embrague enganchado excepto para engranar los dientes.

**NOTA:** Utilice la marcha atrás de los dientes para labrar tierra virgen, césped o suelo duro. Utilice la marcha directa de los dientes para cultivar o labrar tierras blandas.

5. Presione la manija de embraque contra la manija para engranar las ruedas y los dientes..

**NOTA:** Cerciórese de que el indicador de selección de marcha se encuentra correctamente ubicado antes de enganchar la manija de embrague. Si se encuentra entre dos cambios, el motor se detendrá.

6. Para transportar la cultivadora, no enganche los dientes. Seleccione únicamente la transmisión de las ruedas.



**¡ADVERTENCIA!** No presione las manijas hacia abajo hasta levantar las ruedas del suelo cuando usa la transmisión de los dientes; la cultivadora puede moverse hacia atrás y causar lesiones personales.

7. Para óptimos resultados, recomendamos labrar el jardín dos veces (longitudinalmente, luego transversalmente) para pulverizar el suelo.





**¡ADVERTENCIA!** Desconecte el cable de la bujía y póngalo haciendo masa contra el motor antes de realizar cualquier reparación.

## Mantenimiento

### Motor

Consulte el Manual de Operario de Motor separado para conocer las instrucciones de mantenimiento del mismo.

### Neumáticos

Verifique la presión de los neumáticos en ambas llantas. Deshinche o hinche ambas llantas uniformemente a 20 PSI. Está seguro que ambas llantas tienen la misma presión atmosférica o el tiller tirará a un lado.



**¡ADVERTENCIA!** Una presión excesiva (más de 30 psi) al pisar un reborde puede hacer que el neumático y la llanta a punto de estallar con la fuerza suficiente para causar un daño grave.

### Dientes

Limpie el lado inferior del protector de dientes después de cada uso. La suciedad se desprende de los dientes con más facilidad si se los enjuaga inmediatamente en lugar de dejar que se seque. Siempre seque la cultivadora con toalla después de lavarla y cubra con una capa de aceite o silicona para evitar que se oxide o dañe por acción del agua.

**NOTA:** Nunca use una "lavadora a presión" para limpiar la cultivadora. El agua puede penetrar las áreas ajustadas de la cultivadora y del cárter de la cadena y causar daños graves a la unidad.

## Lubricación

### Transmisión

La transmisión se entrega previamente lubricada y sellada en fábrica. No requiere verificación a menos que se desarme la transmisión. Para llenar de grasa, apoye la mitad derecha de la transmisión de costado, agregue 22 onzas de grasa Benalene 920, y monte la mitad izquierda sobre la derecha. La grasa se puede obtener en el distribuidor autorizado más cercano pidiendo la pieza número 737-0300.

### Manija de Embrague

Lubrique el punto de pivote de la manija de embrague y el cable al menos una vez por temporada con aceite ligero. El control debe funcionar libremente en ambas direcciones.

### Puntos de Pivote

Lubrique todos los puntos de pivote y varillaje al menos una vez por temporada con aceite ligero.

### Ejes de los Dientes

Retire los conjuntos de los dientes y lubrique los ejes de los mismos por lo menos una vez por temporada.

### Eje de las Ruedas

Retire los juegos de ruedas y lubrique los semiejes por lo menos una vez por temporada.

## Ajustes

### Tensión de la correa



**¡ADVERTENCIA!** NUNCA intente realizar ningún tipo de ajuste mientras el motor está encendido, excepto si así lo especifica el Manual de Operario de Motor.

Es posible que sea necesario ajustar la tensión de la correa periódicamente debido al estiramiento y al desgaste normal de la misma. Se debe hacer un ajuste si los dientes o las ruedas parecen titubear mientras giran, pero el motor mantiene la misma velocidad.

Para ajustar la tensión de la correa, consulte el ajuste del embrague en las Instrucciones de Montaje y Configuración sección

Después de ajustar la tensión de la correa, si la correa está demasiado estirada, puede hacer falta ajustar la varilla de la polea loca. Esto se puede comprobar fácilmente.

Con el motor apagado y el gancho de control del embrague desenganchado, pase la manija selectora de cambio por todas las posiciones de marcha directa. Si el soporte del indicador toca la varilla de la polea loca (con el gancho de control del embrague desenganchado), hace falta hacer un ajuste.

1. Desconecte el cable de la bujía y haga masa contra el motor.
2. Retire la cubierta de la correa como se describe en Reemplazo de la correa en la sección de Servicio.
3. Retire el broche de horquilla y la arandela de resorte de la varilla de la polea loca. Vea la Fig. 6-1.

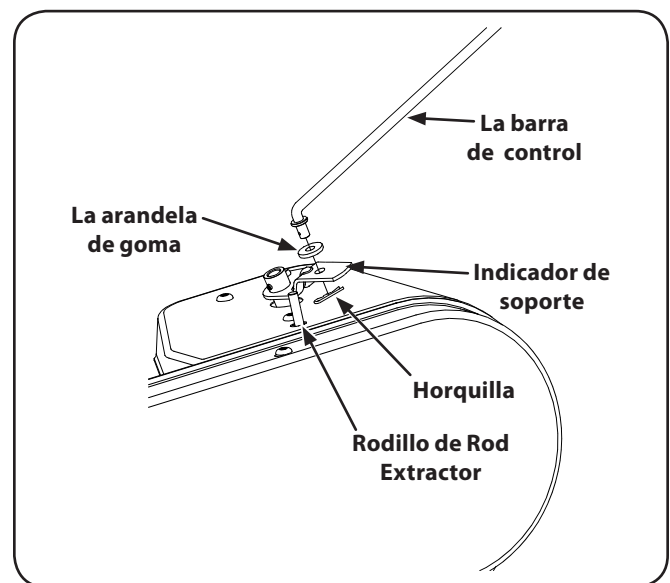


Figure 6-1

4. Mueva la varilla de la polea loca al orificio más bajo de la ménsula intermedia.
5. Vuelva a colocar la arandela de resorte y el broche de horquilla.
6. Compruebe el espacio libre entre la varilla de la polea loca y el soporte del indicador cambiando a cada una de las marchas directas, como anteriormente.

### **Mango de ajuste**

El mango se puede ajustar a la altura deseada. Consulte la sección Controles y características para obtener más detalles.

### **Cinturón de ajuste de tensión**

El ajuste periódico de la tensión de la correa puede ser necesario debido al estiramiento normal y el desgaste de la banda. El ajuste es necesario si los dientes o las ruedas parecen dudar mientras gira, pero el motor mantiene la misma velocidad. Para ajustar la tensión de la correa, consulte la sección de Montaje y Configuración para instrucciones.

**NOTA:** Este Manual abarca varios modelos. características Jardín caña puede variar según el modelo. No todas las características de este manual son aplicables a todos los modelos de jardín timón y la caña del timón jardín presentados pueden diferir de la suya.

## Cambio de correa

El diseño de la cultivadora incluye una correa de material especial (Kevlar Tracción) que le proporciona mayor duración y mejor rendimiento. No se la debe cambiar por una correa cualquiera. Pida todas las correas a través de su distribuidor de servicio autorizado.

1. Desconecte el cable de la bujía y haga masa contra el motor.
2. Saque la cubierta de la correa desde el lado izquierdo de la cultivadora extrayendo los dos tornillos de la parte superior de la cubierta. Vea la Fig. 7-1.

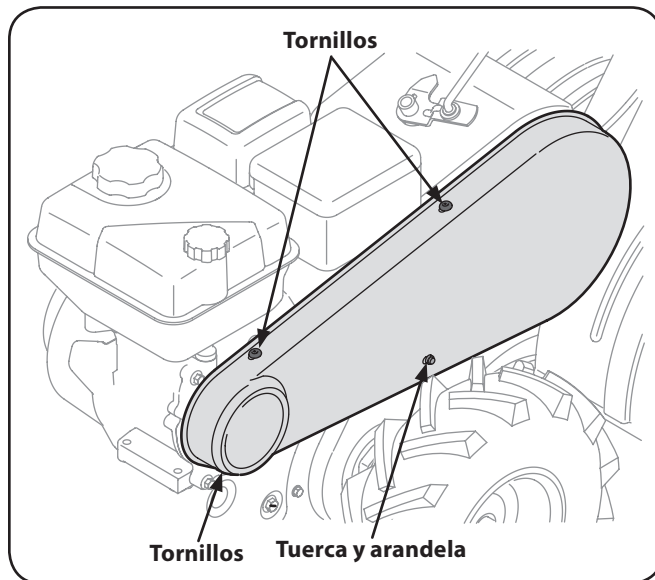


Figura 7-1

3. Extraiga la tuerca hexagonal y la arandela plana del costado de la cubierta de la correa y extraiga el tornillo autorroscado del fondo de la parte delantera de la cubierta.

4. Retire la ménsula del guardacorrea ubicado detrás de la polea del motor extrayendo dos pernos hexagonales y arandelas de seguridad. Vea la Fig. 7-2..

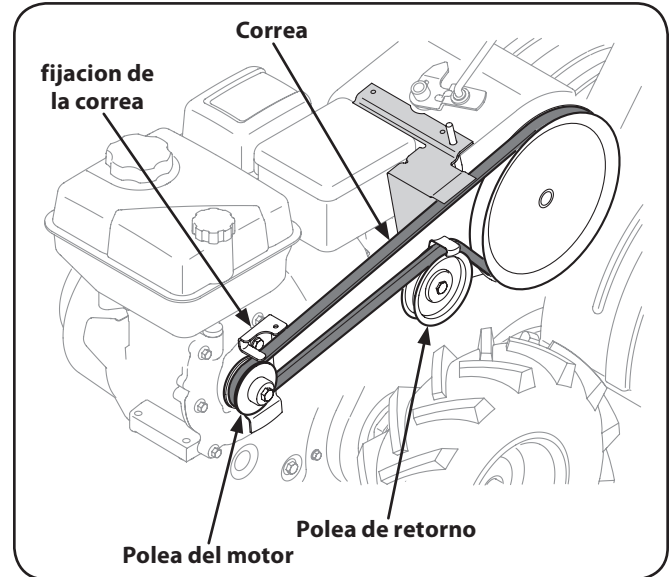


Figura 7-2

5. Saque la correa usada y monte la nueva. Siga las instrucciones en orden inverso.
6. Después de armar, cerciórese de que la correa pasa sobre la polea loca y por dentro de los guardacorreas junto a la polea del motor. Vea la Fig. 7-2.

**NOTA:** Durante la instalación, asegúrese de que la correa se enrutan a través de la polea loca y en el interior de los criadores de la correa por la polea del motor.

## Almacenamiento fuera de temporada

Si la cultivadora no se usa por un período de más de 30 días, se deben realizar los siguientes pasos para preparar la unidad para el almacenamiento.

- Limpie el exterior del motor y la cultivadora en su totalidad a fondo. Lubrique la cultivadora según se describe en las instrucciones de lubricación.
- No recomendamos el uso de lavadoras a presión para limpiar la unidad. Pueden dañar los componentes eléctricos, engranajes, poleas, rodamientos o el motor. El uso de lavadoras a presión acortará la vida útil de la máquina y reducirá su capacidad de servicio.
- Consulte el manual del motor para obtener instrucciones sobre su almacenamiento correcto.
- Limpie los dientes con un trapo con aceite para evitar que se oxiden.
- Almacene la cultivadora en un área limpia y seca. No la almacene cerca de materiales corrosivos como por ejemplo fertilizantes.

**NOTA:** Cuando almacene cualquier tipo de equipo motorizado en un galpón o depósito metálico o con poca ventilación, tenga especial cuidado de realizarle un tratamiento antioxidante. Use aceite liviano o silicona para recubrir el equipo, especialmente los resortes, los cojinetes y los cables

Problema	Causa	Solución
Los dientes no enganchan	<ol style="list-style-type: none"> <li>1. Hay un objeto extraño entre los dientes.</li> <li>2. Falta la o las chavetas de horquilla de los dientes.</li> <li>3. La polea y la polea loca necesitan ajuste.</li> <li>4. Dificultad en el cambio de marcha.</li> <li>5. El cable de control no está ajustado correctamente.</li> <li>6. Correa desgastada y/o estirada.</li> </ol>	<ol style="list-style-type: none"> <li>1. Desaloje el objeto extraño.</li> <li>2. Cambie la o las chavetas de horquilla de los dientes.</li> <li>3. Lleve la unidad al distribuidor de servicio autorizado.</li> <li>4. Consulte la sección Funcionamiento del manual del operador para obtener el procedimiento de cambio correcto.</li> <li>5. Ajuste el cable de control (vea las instrucciones de montaje).</li> <li>6. Cambie la correa.</li> </ol>
Los dientes rebotan contra el suelo	<ol style="list-style-type: none"> <li>1. Rotación incorrecta.</li> </ol>	<ol style="list-style-type: none"> <li>1. Solamente se debe utilizar la rotación directa sobre suelos previamente labrados, no sobre tierra virgen..</li> </ol>
Las ruedas no enganchan	<ol style="list-style-type: none"> <li>1. Falta la chaveta de horquilla.</li> <li>2. No se hacen bien los cambios de la cultivadora.</li> <li>3. El cable de control no está ajustado correctamente.</li> <li>4. Correa desgastada y/o estirada.</li> </ol>	<ol style="list-style-type: none"> <li>1. Reemplace la chaveta de horquilla.</li> <li>2. Consulte la sección Funcionamiento del manual del operador para los procedimientos apropiados que cambian.</li> <li>3. Ajuste el cable de control.</li> <li>4. Cambie la correa.</li> </ol>







# GARANTÍA LIMITADA DE CUB CADET LLC PARA BORDEADORA DE CÉSPED, CONTEMPORIZADOR DE CUERDA Y CULTIVADORA DE DIENTES TRASEROS

La siguiente garantía limitada es otorgada por Cub Cadet LLC con respecto a nuevos productos adquiridos y utilizados en Estados Unidos, sus posesiones territorios, y por MTD Products Limited con respecto a nuevos productos adquiridos y utilizados en Canadá y/o sus territorios y posesiones.

“Cub Cadet” garantiza este producto (excluidas las *Piezas con Desgaste Normal* según se describe más abajo) contra defectos en los materiales y mano de obra por un período de tres (3) años a partir de la fecha de compra original y, a su opción, reparará o reemplazará, sin costo alguno, cualquier pieza que presente defectos en los materiales o de mano de obra. Esta garantía limitada sólo se aplicará si el producto ha sido operado y mantenido de acuerdo con las instrucciones del Manual del Operador que se proporciona con el producto y no ha sido objeto de uso inapropiado, abuso, uso comercial, abandono, accidente, mantenimiento incorrecto, alteración, vandalismo, robo, incendio, inundación o algún daño debido a otro peligro o desastre natural. El daño resultante de la instalación o el uso de piezas, accesorios o complementos no aprobados por Cub Cadet para su uso con el o los productos incluido(s) en este manual anulará la garantía en lo que respecta a esos daños.

Se garantiza que las *Piezas con Desgaste Normal* están libres de defectos en los materiales y mano de obra por un período de treinta (30) días a partir de la fecha de compra. Las piezas sujetas a desgaste normal incluyen pero no se limitan a: baterías, correas, cuchillas, bolsas para la recolección de residuos, ruedas y neumáticos.

**CÓMO SOLICITAR Y OBTENER SERVICIO TÉCNICO:** El servicio de la garantía está disponible, CON COMPROBANTE DE COMPRA, a través de su distribuidor de servicio autorizado local. Para localizar al distribuidor de su zona:

## **En Estados Unidos de América**

Para localizar al distribuidor de su zona, consulte las páginas amarillas, o póngase en contacto con Cub Cadet LLC en P.O. Box 361131, Cleveland, Ohio 44136-0019, llame al 1-877-282-8684, o visite nuestro sitio web en [www.cubcadet.com](http://www.cubcadet.com).

## **En Canadá**

Póngase en contacto con MTD Products Limited, Kitchener, ON N2G 4J1, llame al 1-800-668-1238 o visite nuestro sitio web en [www.mtdcanada.com](http://www.mtdcanada.com).

Esta garantía limitada no suministra cobertura en los siguientes casos:

- El motor o las piezas que lo componen. Estos productos pueden tener garantía del fabricante por separado. Consulte los términos y condiciones de la garantía aplicable del fabricante.
- Las bombas rompetercos, válvulas y cilindros tienen una garantía separada de un año.
- Los artículos necesarios para el mantenimiento de rutina como por ejemplo lubricantes, filtros, afiladores de cuchillas, sincronización del motor, los ajustes de los frenos, del embrague o de la plataforma y el deterioro normal del acabado exterior debido al uso o exposición.

- Cub Cadet no extiende ninguna garantía para los productos vendidos o exportados fuera de los Estados Unidos de América y/o Canadá, y sus respectivas posesiones y territorios, excepto para aquellos vendidos a través de los canales autorizados de distribución de exportaciones de Cub Cadet.
- Piezas de reemplazo que no son piezas originales de Cub Cadet.
- Mantenimiento no realizado por el distribuidor de servicio autorizado.
- Gastos de transporte y visitas técnicas.
- Cub Cadet no garantiza este producto para uso comercial.

**No existe ninguna garantía implícita, incluyendo cualquier garantía implícita de comerciabilidad o adaptabilidad para un propósito en particular, una vez transcurrido el período aplicable de garantía escrita según lo antedicho en relación con las piezas identificadas. Ninguna otra garantía expresa, oral o escrita, excepto la mencionada anteriormente, extendida por personas o personas jurídicas, incluidos los distribuidores o los minoristas con respecto a los productos, obligará a Cub Cadet. Durante el plazo de la garantía el único recurso es la reparación o reemplazo del producto como se indicó anteriormente.**

**Las disposiciones de esta garantía cubren el recurso de reparación única y exclusiva que surge de la venta. Cub Cadet no será responsable de las pérdidas o los daños incidentales o resultantes, incluyendo sin limitación, los gastos incurridos para los servicios de mantenimiento del pasto, o los gastos de arrendamiento para reemplazar de manera transitoria un producto bajo garantía.**

Algunos estados no permiten la exclusión o limitación de los daños y perjuicios incidentales o directos, o las limitaciones sobre la duración de las garantías implícitas, por lo que las exclusiones o limitaciones mencionadas anteriormente pueden no ser de aplicación.

En ningún caso se obtendrá una compensación de ningún tipo por un monto mayor al precio de compra del producto vendido. **La modificación de las características de seguridad del producto anulará esta garantía.** Usted asume el riesgo y la responsabilidad de las pérdidas, daños o lesiones que sufran usted y sus bienes y / o otras personas y sus bienes como resultado del uso incorrecto o de la falta de capacidad para usar este producto.

Esta garantía limitada cubre solamente al comprador original, o a la persona que recibió el producto de regalo.

## **CÓMO SE RELACIONA LA LEGISLACIÓN ESTATAL CON ESTA**

**GARANTÍA:** Esta garantía limitada le otorga derechos legales específicos y usted también puede tener otros derechos que varían de una jurisdicción a otra.

**IMPORTANTE:** El propietario debe presentar comprobante de compra original para obtener la cobertura de la garantía.

**Cub Cadet LLC, P.O. BOX 361131 CLEVELAND, OHIO 44136-0019; Teléfono: 1-877-282-8684  
MTD Canada Limited - KITCHENER, ON N2G 4J1; teléfono 1-800-668-1238**