

MCB-45W

Deluxe Mobile CB/ Weather Radio

OWNER'S MANUAL
English/Spanish



TABLE OF CONTENTS

Product Description	1
FCC Regulations	1
Performance Features	2
Package Contents	3
Controls and Functions	4
Installation Instructions	6
Mechanical Mounting	7
Power Supply Connection	8
Mobile Antenna Information	9
Antenna Tuning Information	10
Operating Instructions	11
To Use Emergency Channel 9	11
PA System / PA Speaker Operation	12
External Speaker Operation	12
Using the Weather Channels	12
Radio Communication Codes	14
CB Channel Frequency Chart	15
Troubleshooting Chart	16
Specifications	17
Other Maxon Products	18
Warranty Service Instructions	19
Warranty Statement	20

Before operating your Maxon Citizens Band Radio, read this Owner's Manual carefully. If you have a problem, refer to the "Troubleshooting" section of this manual before returning your radio for repairs.

TABLA DE CONTENIDO

Controles y Funciones	4
Descripción del Producto	21
Regulaciones de la FCC (Comisión Federal de Comunicaciones)	21
Características de Funcionamiento	22
Contenido del Paquete	23
Instrucciones Para Instalación	24
Montaje Mecánico	25
Conexión del Suministro Energético	26
Información Sobre la Antena Móvil	27
Información Para la Sintonización de la Antena	28
Instrucciones de Operación	29
Para usar el Canal 9 de Emergencia	30
Operación del Sistema de Altoparlante (PA)	30
Operación de los Altoparlantes Exteriores	30
Uso de los Canales Meteorológicos	31
Tabla de Frecuencia del Canal de CB (Banda Ciudadana)	33
Tabla de Localización y Reparación de Averías	34
Especificaciones	35
Otros Productos Maxon	36
Instrucciones Servicio de Garantía	37
Aclaración de la Garantía	38

Antes de hacer funcionar su radio de Maxon lea detenidamente este Manual del Propietario. Si tiene un problema, refiérase a la sección "Localización y Reparación de Averías" de este manual antes de devolver su radio para la reparación.

PRODUCT DESCRIPTION

Thank you for choosing the Maxon MCB-45W Mobile CB/Weather Radio.

The MCB-45W is a compact mobile Citizen's Band radio designed to operate in the 26.965 to 27.405 MHz band.

This unit features 10 weather channels, including 7 NOAA frequencies and 3 international marine frequencies. The MCB-45W provides maximum RF output power and many automatic features to enhance voice clarity and sound quality.

Enjoy your new Maxon CB!

YOU DO NOT NEED AN FCC LICENSE TO OPERATE THIS RADIO IN THE UNITED STATES. However, you must know and be familiar with Part 95 of the FCC Rules in regard to Subpart D of the Citizens Band Radio Service. (A copy is enclosed with the unit.)

PERFORMANCE FEATURES

- Maximum legal RF output power (4 W) with high level modulation (in accordance with FCC Part 95 Rules)
- Comander circuitry eliminates background static and improves audio quality
- Receives current local National Weather Service and periodic marine weather broadcasts
- Direct access to Emergency Channel 9
- Public Address capability
- LCD channel display indicates: the CB or Weather Channel selected, "9 EMG" when in Emergency Channel 9 position, or "PA" when in Public Address system mode
- Switchable Automatic Noise Limiter (ANL) circuit reduces atmospheric static noise
- Signal / Power LCD meter shows the incoming signal strength, and the RF output power
- RF Gain control adjusts the receiver sensitivity of the radio
- Side mounted 4-pin universal microphone with coiled cord and easy to operate Push-To-Talk bar
- Equipped with external speaker jack - external speaker not included
- Last channel memory recalls last channel displayed
- One year warranty

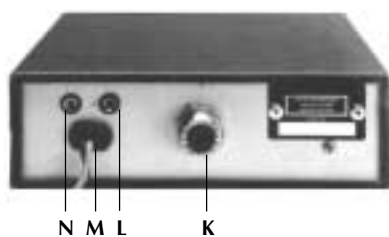
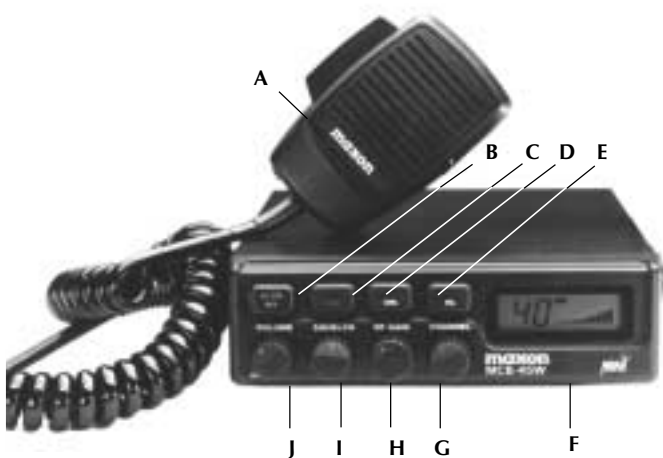
PACKAGE CONTENTS

Main CB unit
Handheld microphone
CB Mounting bracket and hardware
Owner's manual
Copy of FCC Part 95, Subpart "D"
Copy of NOAA Weather Radio Network
frequency card

An external mobile antenna is required for use -
antenna is not included. Refer to Mobile Antenna
Information section for more information.

CONTROLS AND FUNCTIONS CONTROLES Y FUNCIONES

- A) **Microphone and Cord • Micrófono y Cable**
- B) **Weather Button** - Selects CB or weather operation • **Botón del Tiempo** - Selecciona la operación de CB o del tiempo
- C) **Emergency Channel 9 Button** - Provides direct access to Emergency Channel 9 (not active in weather mode) • **Botón del Canal 9 de Emergencia** - Provee acceso directo al Canal 9 de Emergencia (no está activo en modalidad meteorológica)
- D) **ANL Button** - Activates Automatic Noise Limiter (ANL) circuitry • **Botón ANL**: Activa los circuitos del limitador automático de ruidos (ANL)
- E) **PA Button** - Activates the Public Address (PA) system circuitry • **Botón PA**: Activa los circuitos del sistema de altoparlante (PA)
- F) **LCD Display** - Identifies CB or weather channel number selections, TX (transmit), WX (weather) mode, EMG (Ch. 9), PA, and signal/power strength
 - **Pantalla de LCD** - Identifica las selecciones de CB o los números de canales del tiempo, TX (transmisión), modalidad de WX (tiempo), EMG (Canal 9), PA, e intensidad de la señal/potencia
- G) **CB/Weather Channel Control** - Selects CB or weather channel • **Control Para CB/Tiempo** - Selecciona la canales de CB o del tiempo
- H) **RF Gain Control** - Adjusts the receiving sensitivity of the radio • **Control de Ganancia RF**: Ajusta la sensibilidad de recepción de la radio
- I) **Squelch Control • Control para Amortiguar Ruidos**
- J) **Off/On-Volume Control** - Used to turn the radio on or off and to adjust the listening volume
 - **Control de Volumen** - Se usa para encender o apagar el radio y para ajustar el volumen



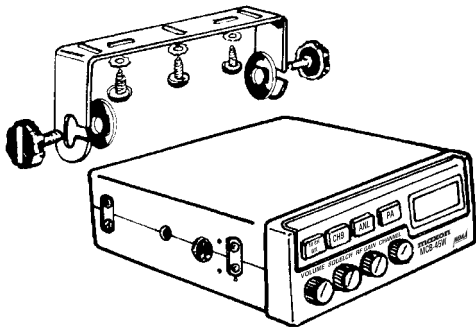
- K) **Antenna Jack** - Connects a mobile CB antenna (PL-259) • **Conector para Antena** - Conecta la antena móvil de banda ciudadana (PL-259)
- L) **Public Address (PA) Speaker Jack** - Connects an optional remote mounted PA speaker • **Conector para Altoparlante de Sistema de Altoparlante (PA)** - Permite conectar un altoparlante remoto opcional
- M) **DC Power Cord** • **Córdon de Potencia DC**
- N) **External Speaker Jack** • **Conector Para Altoparlante Externo**

INSTALLATION INSTRUCTIONS

Your new MCB-45W is designed to be installed under the dash or anywhere inside your vehicle. It can be mounted horizontally or vertically. Safety and convenience should be your primary considerations in deciding exactly where to locate your Maxon MCB-45W CB Radio.

CAUTION: Be sure the unit is located where it will not interfere with the driver or impair access to any controls necessary for the safe driving of the vehicle. The radio's power or antenna connecting cables must be routed and secured in such a manner as not to interfere with the operation of the brake, accelerator or other controls. Interference from either the CB unit or it's connecting cables may contribute to the loss of control of the vehicle.

Installing the MCB-45W:



Mechanical Mounting

- 1) Determine the mounting location of your MCB-45W.
- 2) Use the CB cabinet mounting bracket as a template for marking the location of the screw holes when mounting the CB under the dash, or at another selected location.
- 3) Drill the necessary holes and secure the mounting bracket with the self-tapping screws provided.

CAUTION: EXTREME CARE SHOULD BE EXERCISED WHEN DRILLING UP INTO THE DASH to avoid any damage to in-dash electronic ignition wiring, cruise control, instruments or accessory wiring.

- 4) Position the CB unit between the mounting bracket arms (in line with the retention knobs). Set the CB unit angle for the best operating comfort and control accessibility. Tighten the two retention knobs to secure the CB unit in place.
- 5) Install the microphone hanger bracket utilizing the pre-drilled mounting holes in the cabinet, or attach the bracket to the vehicle dash or another convenient location.
- 6) If you choose to mount the CB in a location where self-tapping screws cannot be used, determine the most secure method of fastening the CB cabinet.

Power Supply Connection

The MCB-45W is designed for 12V DC operation in vehicles with **NEGATIVE (-) GROUND** electrical systems. Most domestic and foreign made cars and trucks use a negative ground system. **NOTE:** If your negative (-) battery terminal is connected to the motor block of your vehicle, it is a negative ground system.

CAUTION: Do not attempt to connect your MCB-45W to a POSITIVE (+) ground vehicle as damage may occur to the CB unit and/or to your vehicle's electrical system.

NOTE: Check your vehicle's ground requirements before you begin the installation!

Your MCB-45W should be connected using the following steps:

- 1) Move the off/on-volume control to the "off" position. **CAUTION: If the off/on-volume control is in the "on" position without an antenna hook-up, it could result in damage to the transmitter circuitry.**
- 2) Disconnect the cable from your vehicle battery's negative (-) terminal.
- 3) Connect the **black** GROUND wire to a metal part of your vehicle's frame.

NOTE: Be sure the metal part is not insulated from the vehicle's frame by a plastic part.

- 4) Connect the **red** (to switched accessory) wire to a source of voltage that turns on and off with the ignition switch, such as a spare accessory terminal in your vehicle's fuse box.

- 5) Connect the **orange** (Batt +) wire to your vehicle's battery positive (+) terminal or to a point in the vehicle's fuse box that provides a continuous source of 12 Volts even when the ignition is turned off. This connection provides last channel memory feature.
- 6) Reconnect the cable to the vehicle's battery negative (-) terminal.

MOBILE ANTENNA INFORMATION

Your Maxon MCB-45W requires a vehicle mount CB antenna for operation. An antenna is not included with your radio because of varying vehicle applications, individual needs, and owner cost preferences.

Maxon antenna model WTA-4WP may be obtained from your local Maxon CB distributor / retailer or you may use any standard 50 Ohm vehicle mount CB/weather antenna with a PL-259 connector.

NOTE: When installing a mobile antenna, please follow the antenna manufacturer's installation instructions completely. **Never operate your CB radio without an antenna or with a broken antenna cable.** This can result in damage to your CB transmitter circuitry.

- Connect the antenna securely to the radio's antenna receptacle.
- Mount the antenna as high on the vehicle as possible - the more the antenna extends above the roof, the better the reception. If possible, mount the antenna in the center of the surface.
- Keep the antenna cables away from noise sources such as the ignition system, gauges, etc.
- Make sure you have solid, metal-to-metal ground.

ANTENNA TUNING INFORMATION

Most antennas are factory tuned, but performance can usually be improved by slightly lengthening or shortening the antenna using a Standing Wave Ratio (SWR) meter (not included). Refer to the antenna manufacturer's installation manual for the exact procedure to tune the antenna. You can purchase an SWR meter, or have your antenna checked by your CB Dealer's service department.

OPERATING INSTRUCTIONS

Once you have properly wired your new CB and connected the antenna, you are ready to adjust your radio for optimum reception and voice transmission.

For proper operation, the radio's microphone must be connected to the unit. Insert the microphone plug into the microphone jack (MIC). Push inward and tighten the locking nut on the end of the cord. When removing the microphone, unscrew the locking nut and **gently** pull out the microphone plug

- 1) Turn the off/on-volume control clockwise and adjust to a comfortable volume level.
- 2) Use the CB/Weather channel control knob to select the desired channel.
- 3) Adjust the squelch control knob to reduce any undesirable background noise when no signal is being received. To do this, select a channel where no signals are present, or wait until signals cease on your channel. Then, rotate the squelch control knob clockwise to a point where the background noise ceases.

NOTE: When the squelch is set properly, the radio speaker will remain quiet until a signal is received. In order to receive weak signals, do not set the squelch too high.

- 4) Re-adjust the volume to a desired listening level.

To use Emergency Channel 9

Press the CH9 selector. "9EMG" will display on the LCD. Press CH9 again to return to normal CB mode.

To Transmit: Press and hold the Push-To-Talk bar. Speak slowly and clearly in a normal voice, placing the microphone approximately two to three inches away from the mouth. The radio's built-in modulation control circuit will automatically adjust the microphone input level. There is no need to speak loudly.

To Receive: Release the Push-To-Talk bar.

PA System / PA Speaker Operation

To use the Public Address feature, you must install a remote mounted PA speaker (not supplied). After the speaker is installed, insert the speaker's wired connector plug into the PA speaker jack on the back of the CB unit. To activate the PA system circuitry, press the PA selector. At this time you will no longer be able to send, or receive CB transmissions. You are now ready to broadcast through the PA speaker using the radio's microphone and volume control. Press the PA selector to return to normal CB operation.

External Speaker Operation

To connect an optional external speaker, locate the external speaker jack on the rear of the unit and insert the speaker plug into the jack. The radio's internal speaker will be silenced when an external speaker is engaged.

USING THE WEATHER CHANNELS

The National Weather Service uses several special radio frequencies to provide continuous reports of local weather conditions and forecasts throughout the United States. Taped weather messages are repeated every four to six minutes on a 24-hour

basis and are routinely revised every one to three hours, or more frequently if needed.

During severe weather, the routine weather broadcasts will be interrupted with special weather warning messages.

The MCB-45W is designed to receive all of these special weather frequencies plus three international marine frequencies. A NOAA Weather Radio Network Frequency card is enclosed to identify the frequencies specifically broadcast for your geographical area. The MCB-45W receives CB, National Weather Service and international marine weather broadcast frequencies as listed:

CB Channels 1 - 40 (26.965 - 27.405 MHz)

Weather Channel	01 WX	162.550 MHz
	02 WX	162.400 MHz
	03 WX	162.475 MHz
	04 WX	162.425 MHz
	05 WX	162.450 MHz
	06 WX	162.500 MHz
	07 WX	162.525 MHz
Int'l Marine	08 WX	161.650 MHz
	09 WX	161.775 MHz
	00 WX	163.275 MHz

To Operate: Turn the off/on-volume control clockwise and press the weather button. The "WX" icon will be displayed.

Use the weather frequency card to select the proper frequency for your area. Select the weather channel by using the channel up/down buttons. Re-adjust the volume if necessary.

To return to CB operation, simply press the weather button again; the "WX" icon will disappear and the unit will return to the last CB channel displayed.

RADIO COMMUNICATION CODES

Citizens Band radio operators have universally adopted the "10" Code for standard questions and answers. It enables them to communicate faster, easier and more understandably in noisy surroundings.

The following are some of the most common codes and their descriptions.

When using the code 10-1, you would say, "Ten one", not "One zero dash one".

Code	Description	Code	Description
10-1	Receiving poorly.	10-35	Confidential information.
10-2	Receiving well.	10-36	Correct time is _____.
10-3	Stop transmitting.	10-37	Wrecker needed at _____.
10-4	OK, message received.	10-38	Ambulance needed at _____.
10-5	Relay message.	10-39	Your message delivered.
10-6	Busy, stand by.	10-41	Please turn to channel _____.
10-7	Out of service; leaving the air.	10-42	Traffic accident at _____.
10-8	In service, subject to call.	10-43	Traffic tie-up at _____.
10-9	Repeat message.	10-44	I have a message for you.
10-10	Transmission completed, standing by.	10-45	All units within range report.
10-11	Talking too fast.	10-50	Break channel.
10-12	Visitors present.	10-60	What is next message number?
10-13	Advise weather/road conditions.	10-62	Unable to copy; use phone.
10-16	Make pickup at _____.	10-63	Network directed to.
10-17	Urgent business.	10-64	Network clear.
10-18	Anything for us?	10-65	Awaiting your next message/assignment.
10-19	Nothing for you; return to base.	10-67	All units comply.
10-20	My location is _____.	10-70	Fire at _____.
10-21	Call by telephone.	10-71	Proceed with transmission in sequence.
10-22	Report in person to _____.	10-77	Negative contact.
10-23	Stand by.	10-81	Reserve hotel room at _____.
10-24	Completed last assignment.	10-82	Reserve room for _____.
10-25	Can you contact?	10-84	My telephone number is _____.
10-26	Disregard last information.	10-85	My address is _____.
10-27	I am moving to channel _____.	10-91	Talk closer to microphone.
10-28	Identify your station.	10-93	Check my frequency on this channel.
10-29	Time is up for contact.	10-94	Please give me a long count.
10-30	Does not conform to FCC rules.	10-99	Mission completed; all units secure.
10-32	I will give you a radio check.	10-200	Police needed at _____.
10-33	Emergency traffic.		
10-34	Trouble at this station.		

CB CHANNEL FREQUENCY CHART

Channel:	1	26.965 MHz	
	2	26.975 MHz	
	3	26.985 MHz	
	4	27.005 MHz	
	5	27.015 MHz	
	6	27.025 MHz	
	7	27.035 MHz	
	8	27.055 MHz	
	9	27.065 MHz	Emergency Channel
	10	27.075 MHz	
	11	27.085 MHz	
	12	27.105 MHz	
	13	27.115 MHz	
	14	27.125 MHz	
	15	27.135 MHz	
	16	27.155 MHz	
	17	27.165 MHz	
	18	27.175 MHz	
	19	27.185 MHz	Highway Channel
	20	27.205 MHz	
	21	27.215 MHz	
	22	27.225 MHz	
	23	27.255 MHz	
	24	27.235 MHz	
	25	27.245 MHz	
	26	27.265 MHz	
	27	27.275 MHz	
	28	27.285 MHz	
	29	27.295 MHz	
	30	27.305 MHz	
	31	27.315 MHz	
	32	27.325 MHz	
	33	27.335 MHz	
	34	27.345 MHz	
	35	27.355 MHz	
	36	27.365 MHz	
	37	27.375 MHz	
	38	27.385 MHz	
	39	27.395 MHz	
	40	27.405 MHz	

TROUBLESHOOTING CHART

This mobile Citizens Band radio has been manufactured in accordance with Maxon's exacting quality control standards. It should be handled with reasonable care. Avoid exposing it to dirt or moisture.

If you experience problems, please refer to this Troubleshooting Chart.

POSSIBLE SOLUTIONS:

Check power cable connection	Check fuses (in-line and main junction block)	Check squelch adjustment	Check power off/on-volume control	Change to active channel	Check antenna connection	Fully depress push-to-talk bar when speaking	Check microphone connection
------------------------------	---	--------------------------	-----------------------------------	--------------------------	--------------------------	--	-----------------------------

POSSIBLE PROBLEMS:

No sound or LCD lights	•	•		•			
LCD illuminated, but no sound			•		•	•	•
No voice reception			•	•	•	•	•
Poor reception			•		•		
Unclear reception			•		•		•
Transmission problems	•				•	•	•

WARNING: DO NOT ATTEMPT TO MAKE ANY INTERNAL ADJUSTMENTS. Internal adjustments and/or modifications can lead to illegal operation as defined by FCC Rules and Regulations, Part 95. They must be made only by qualified technical personnel. Illegal operation can result in serious consequences.

CAUTION: The fuse included with this unit is an important safety feature which must **not** be circumvented. **Removal of this fuse or the use of a fuse rated higher than supplied may result in overheating and/or fire and consequential damage to the unit or vehicle.** If a replacement fuse burns out, have the unit inspected and repaired by a qualified service technician.

SPECIFICATIONS

GENERAL

CB Channels:	40
Weather Channels:	10
CB Frequency Range:	26.965 to 27.405 MHz
Weather Frequencies:	01 WX 162.550 MHz 02 WX 162.400 03 WX 162.475 04 WX 162.425 05 WX 162.450 06 WX 162.500 07 WX 162.525 08 WX 161.650 09 WX 161.775 00 WX 163.275
CB/Weather Frequency Control:	Phase Locked Loop (P-L-L) synthesizer
Operating Temperature Range:	-22° F to +140° F
Channel Display:	Liquid Crystal Display (LCD)
Input Voltage:	13.8V DC nominal, negative ground
Dimensions:	5-7/8" W x 8-1/8" D x 1-7/8" H
Weight:	2 lbs., 2.9 oz
External Speaker (optional):	4 Watts output @ 8 Ohms (3.5 mm plug)

RECEIVER

Receiving System:	AM Dual conversion superheterodyne
Intermediate Frequency:	1st IF: 10.695 MHz 2nd IF: 455 MHz
Audio Output Power:	4 Watts

TRANSMITTER

RF Output Power:	4 Watts (Max. FCC allowable)
------------------	------------------------------

Specifications are subject to change without notice.

OTHER MAXON PRODUCTS

Maxon manufactures a full line of personal electronic products, including handheld and mobile CB radios, 49 MHz personal communicators, Family Radio Service radios, GMRS/DOT two-way radios, CDMA, GSM and AMPS cellular handsets, weather monitors and a variety of optional accessory items. Look for **Maxon** brand products in quality retail stores nationwide.

WTA-4WP Magnetic mount mobile CB/weather antenna

FRS-114 Palm sized two-way radio operates on one of 14 license-free channels

WX-70 7 Channel weather monitor has a choice of 3 warning signal modes

WARRANTY SERVICE INSTRUCTIONS

- 1) Refer to the Operating Instructions section of this Owner's Manual for proper operation and adjustments.
- 2) Refer to the basic Troubleshooting Chart for possible solutions.
- 3) If the problem cannot be corrected by reference to this Owner's Manual, return the product with proof of purchase (a sales receipt) to the place of purchase, or call Maxon's Customer Service Department for assistance, 1-800-821-7848, Ext. 499.

FOR YOUR RECORDS

Purchase Date:

Purchased From:

Serial Number:

**KEEP THIS INFORMATION
IN A SAFE PLACE.**

LIMITED WARRANTY

The Consumer Products Division of Maxon America, Inc., (hereinafter referred to as "Maxon"), warrants that its Products and their included accessories will be free from defects in workmanship or materials under normal use for a period of one (1) year from date of purchase by the original end user, provided that the buyer has complied with the requirements stated herein.

If the Product fails to function under normal use because of manufacturing defect(s) or workmanship during the one (1) year period following the date of purchase, it will be replaced or repaired at Maxon's option at no charge when returned to the place of purchase. The defective unit must be accompanied by proof of the date of purchase in the form of a sales receipt.

Maxon's sole obligation hereunder shall be to replace or repair the product covered in this Warranty. Replacement, at Maxon's option, may include a similar or higher-featured product. Repair may include the replacement of parts or boards with functionally equivalent reconditioned or new parts or boards. Replaced parts, accessories, batteries or boards are warranted for the balance of the original time period. All replaced parts, accessories, batteries or boards become the property of Maxon America, Inc.

Maxon shall have no obligation to make repairs or to cause replacement required which results from normal wear and tear or is necessitated in whole or in part by catastrophe, the fault or negligence of the user, improper or unauthorized alterations, repairs to the Product, incorrect wiring, use of the Product in a manner for which it was not designed, or by causes external to the Product. This warranty is void if the serial number is altered, defaced or removed.

The purchaser shall provide for removal of the defective Product and installation of its replacement.

THE EXPRESS WARRANTIES CONTAINED HEREIN ARE IN LIEU OF ALL OTHER WARRANTIES, EITHER EXPRESSED OR IMPLIED OR STATUTORY, INCLUDING, WITHOUT LIMITATION, ANY WARRANTY OF MERCHANTABILITY OR FITNESS FOR A PARTICULAR PURPOSE.

FOR ANY PRODUCT WHICH DOES NOT COMPLY WITH THE WARRANTY SPECIFIED, THE SOLE REMEDY WILL BE REPAIR OR REPLACEMENT. IN NO EVENT WILL MAXON AMERICA, INC. BE LIABLE TO THE BUYER OR ITS CUSTOMERS FOR ANY DAMAGES, INCLUDING ANY SPECIAL, INCIDENTAL, INDIRECT OR CONSEQUENTIAL DAMAGES, OR THE LOSS OF PROFIT, REVENUE OR DATA ARISING OUT OF THE USE OF OR THE INABILITY TO USE THE PRODUCT.

This warranty is void for sales and deliveries outside of the U.S.A.

DESCRIPCIÓN DEL PRODUCTO

Gracias por escoger el radio CB/Meteorológico móvil Maxon MCB-45W.

El MCB-45W de Maxon es un radio de Banda Ciudadana móvil y compacto que ha sido diseñado para funcionar en la banda de 26,965 a 27,405 MHz.

Esta unidad tiene 10 canales de información sobre las condiciones del tiempo, incluyendo 7 frecuencias separadas NOAA y 3 frecuencias marítimas internacionales. El MCB-45W proporciona una potencia máxima de RF y muchos dispositivos automáticos para realzar la claridad de voz y la calidad de sonido.

¡Disfrute su nuevo Maxon CB!

NO NECESITA UNA LICENCIA DE LA FCC PARA HACER FUNCIONAR ESTE RADIO EN LOS ESTADOS UNIDOS. Sin embargo, debe conocer y estar familiarizado con la Parte 95 de las Reglas de la FCC en relación con la Subparte D del Servicio de Radio de Banda Ciudadana. (Con la unidad se anexa una copia).

CARACTERÍSTICAS DE FUNCIONAMIENTO

- Potencia de salida de Frecuencia de Radio máxima legal (4 W) con modulación de alto nivel (en conformidad con la Parte 95 de las Reglas de la FCC)
- El circuito Compander elimina la estática y mejora la calidad auditiva
- Recibe transmisiones del Servicio Meteorológico Nacional en una o más de siete frecuencias separadas e información meteorológica marítima periódica en tres frecuencias separadas
- Acceso directo al Canal 9 de Emergencia
- Capacidad de funcionar como sistema de altoparlante
- La pantalla LCD de canales indica el número del canal de CB o de la banda meteorológica que se haya seleccionado, indica "9 EMG" cuando se ha seleccionado el canal 9 de emergencia, o indica "PA" cuando el modo de sistema de altoparlante
- La circuitería incorporada del limitador automático de ruidos (ANL) reduce el ruido de la estática atmosférica
- El LCD de señal/potencia indica la intensidad de la señal recibida y la potencia de salida RF
- Control de ganancia de RF ajusta la sensibilidad de recepción del radio
- El micrófono universal de 4 espigas se monta en el costado y tiene cordón en espiral y barra tipo "empuje para hablar" fácil de usar
- Incluye un conector de conexión para altoparlante externo. (No se incluye el altoparlante externo.)
- Memoria de último canal recuerda último canal mostrado
- Un año de garantía

CONTENIDO DEL PAQUETE

Unidad principal CB

Micrófono manual

Marco de montaje y herrajes para el CB

Manual del dueño

Copia de la Parte 95 de la FCC, Subparte "D"

Copia de la Tarjeta de Referencia para la Frecuencia
de Red de Radio Meteorológico de la NOAA

Para usarlo, se requiere una antena móvil exterior -
la antena no está incluida. Para mayor información,
refiérase a la sección de Información Sobre la
Antena Móvil.

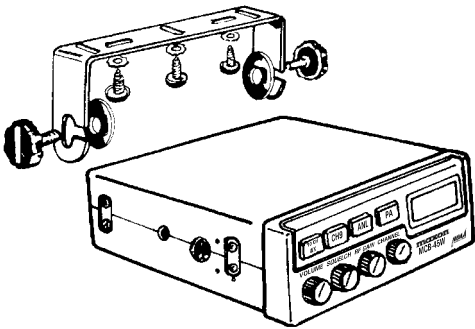
INSTRUCCIONES PARA INSTALACIÓN

Su nuevo MCB-45W está diseñado para instalarse debajo del tablero o en cualquier lugar dentro de su vehículo. Se puede instalar horizontal o verticalmente. La seguridad y conveniencia deben ser sus principales consideraciones para decidir exactamente el lugar donde situar su Maxon MCB-45W Radio CB.

PRECAUCIÓN: Cerciérese que la unidad quede situada donde no interfiera con el conductor o estorbe el acceso a cualquier control necesario para conducir el vehículo con toda seguridad.

Los cables de la energía eléctrica para el radio o el cable conector de la antena, deben ser encauzados y asegurados de tal forma que no interfieran con la operación del freno, acelerador u otros controles. La interferencia por parte de la unidad CB o sus cables conectores, podrían contribuir a la pérdida del control del vehículo.

Forma de instalar el MCB-45W:



Montaje Mecánico

- 1) Determine la ubicación de montaje de su MCB-45W.
- 2) Use el soporte de montaje del gabinete del CB como patrón para marcar la ubicación de los agujeros para tornillos al montar el CB debajo del tablero, o en cualquier otro lugar seleccionado.
- 3) Taladre los agujeros necesarios y asegure el soporte de montaje con los tornillos roscadores que se suministran.

PRECAUCIÓN: SE DEBERÁ TENER CUIDADO ESPECIAL AL TALADRAR EL TABLERO para evitar dañar cualquier componente y alambrado del encendido electrónico detrás del tablero, el control de travesía, instrumentos, o el alambrado de accesorios.

- 4) Coloque la unidad CB entre los brazos del soporte de montaje (en línea con los botones de retención). Sitúe el ángulo de la unidad CB para la mejor comodidad de operación y acceso a los controles. Apriete los dos botones de retención para asegurar en posición la unidad CB.
- 5) Instale el soporte de enganche del micrófono utilizando los agujeros previamente hechos en el gabinete del MCB-45W, o coloque el soporte en el tablero del vehículo o en cualquier lugar conveniente.
- 6) Si usted selecciona un lugar para montar el CB donde no se pueden emplear los tornillos roscadores, determine cual será el método más seguro para colocar el gabinete del CB.

Conexión del Bateria del Vehículo

El MCB-45W está diseñado para trabajar con 12V CD en vehículos con sistemas eléctricos de **NEGATIVO (-) A TIERRA**. La mayoría de los vehículos y camiones domésticos e importados, usan el sistema negativo a tierra. **NOTA:** Si el terminal negativo (-) de su batería está conectado al bloque del motor, su vehículo tiene un sistema negativo a tierra.

PRECAUCIÓN: No intente conectar su MCB-45W a un vehículo con sistema (+) POSITIVO a tierra puesto que podría dañar su unidad CB y/o el sistema eléctrico de su vehículo.

NOTA: Antes de comenzar la instalación, ¡ compruebe los requisitos de tierra de su vehículo !

Su MCB-45W deberá conectarse observando los pasos siguientes:

- 1) Compruebe que la radio CB esté apagada.
PRECAUCIÓN: Si el control off/on-volumen está en la posición on [encendido] sin un acoplamiento de antena, podría dañarse la circuitería del transmisor.
- 2) Desconecte el cable del borne negativo (-) de la batería del vehículo.
- 3) Conecte el alambre **negro** de TIERRA a un componente metálico del chasis del vehículo.

NOTA: Verifique que el componente metálico no se encuentre aislado del chasis del vehículo por alguna pieza de plástico.

- 4) Conecte el alambre **rojo** (al alambre de alimentación conmutada para accesorios) a una fuente de voltaje que se conecte y desconecte

al girar la llave de contacto del vehículo, tal como un borne para accesorios no utilizado en la caja de fusibles del vehículo.

- 5) Conecte el alambre **anaranjado** (BAT +) al borne positivo (+) de la batería del vehículo o a un punto en la caja de fusibles del vehículo que suministre una fuente ininterrumpida de 12 voltios, aun cuando la llave de contacto se encuentre desconectada. Esta conexión alimenta la memoria del último canal seleccionado.
- 6) Vuelva a conectar el cable al borne negativo (-) de la batería del vehículo.

INFORMACIÓN SOBRE LA ANTENA MÓVIL

Su Maxon MCB-45W, para su operación, requiere una antena de CB instalada en el vehículo. La antena no está incluida con su MCB-45W debido a las distintas aplicaciones en vehículos, necesidades individuales y preferencias económicas del propietario.

Usted podrá usar cualquier sistema de antena estándar de 50 Ohmios para uso en CB / Meteorología, para montaje en vehículos con un conector PL-259. El modelo de antena Maxon WTA-4WP se puede obtener de su distribuidor / detallista local de productos Maxon CB.

NOTA: Al instalar una antena móvil, observe y siga a cabalidad las instrucciones de instalación ofrecidas por el fabricante de la antena. Nunca opere su radio CB sin una antena o con un cable de antena roto. Esto podría dañar la circuitería de su transmisor CB.

- Conecte la antena con toda seguridad al receptáculo para antena que tiene la unidad
- Monte la antena en el vehículo tan alto como sea posible - cuanto más se prolongue la antena por encima del techo del vehículo, mejor será la recepción
- De ser posible, instale la antena en el centro de la superficie que se haya seleccionado
- Mantenga los cables de la antena alejados de fuentes de ruidos tales como el sistema de encendido, instrumentos, etc.
- Cerciórese de que se dispone de una tierra sólida con contacto de metal-a-metal

INFORMACIÓN PARA LA SINTONIZACIÓN DE LA ANTENA

La mayoría de las antenas están sintonizadas en fábrica, pero su rendimiento puede, generalmente, mejorarse mediante una ligera modificación alargando o acortando la antena mediante el uso del (SWR), medidor de ondas estacionarias (no está incluido). Refiérase al manual de instalación del fabricante de la antena. Usted puede adquirir un SWR [medidor de ondas estacionarias], o pedir al departamento de servicio de su distribuidor de CB que compruebe su antena.

INSTRUCCIONES DE OPERACIÓN

Una vez que ha alambrado debidamente su nuevo CB y conectado la antena, usted está listo para ajustar su radio en busca de la óptima recepción y transmisión de voz.

Para la operación adecuada, el micrófono del radio debe estar conectado a la unidad. Oprima hacia adentro y apriete la contratuerca del extremo del cordón. Al desconectar el micrófono, afloje la contratuerca y tire del enchufe del micrófono con suavidad para sacarlo.

- 1) Mueva hacia la derecha el control de off/on-volumen para ajustarlo a un nivel de volumen cómodo.
- 2) Para seleccionar el deseado canal, utilice el botón de CB/Weather.
- 3) Ajuste el botón de control de amortiguamiento de ruidos para reducir cualquier ruido de fondo indeseable cuando no se reciba una señal. Para hacer esto, seleccione un canal que no tenga señal, o espere que la señal cese en su propio canal. Después mueva hacia la derecha el botón de control de amortiguamiento de ruidos hasta el punto en que cese el ruido de fondo.

NOTA: Cuando el amortiguamiento de ruidos está correctamente ajustado, el altoparlante permanecerá tranquilo hasta recibir una señal. Para poder recibir señales débiles, no ponga demasiado alto el amortiguador de ruidos.

- 4) Vuelva a ajustar el volumen al nivel deseado.

Para usar el Canal 9 de Emergencia

Oprima el selector "CH9". El mensaje "9EMG" aparece en la pantalla LCD.

Para transmitir: Oprima y sostenga la barra de empujar-para-hablar. Hable lenta y claramente con una voz normal, a dos o tres pulgadas del micrófono. Cuando se transmite, el TX LED destellará en rojo.

Para recibir: Suelte la barra de empujar-para-hablar.

Operacion del Sistema de Altoparlante (PA)

Para utilizar la función del sistema de altoparlante es necesario instalar un altoparlante externo (no incluido). Después de haber instalado el altoparlante, conecte el conector del altoparlante al conector de conexión correspondiente, ubicado en la parte posterior de la unidad de radio CB. Para activar el sistema de altoparlante, oprima el selector "PA". Al hacer esto no resulta posible transmitir ni recibir mensajes de radio. Ahora se puede utilizar el micrófono de la radio y su control de volumen para reproducir la voz a través del altoparlante. Oprima el selector "PA" nuevamente para retornar al modo de funcionamiento de la radio CB.

Operación de los Altoparlantes Exteriores

Para conectar un altoparlante exterior opcional, ubique el conector para el altoparlante exterior que se encuentra en la parte posterior de la unidad e introduzca el enchufe del altoparlante dentro del conector. El altoparlante interno del radio quedará inactivo cuando se activa un altoparlante externo.

USO DE LOS CANALES METEOROLOGICOS

El Servicio Meteorológico Nacional usa varias frecuencias de radio especiales para dar informes continuos sobre las condiciones meteorológicas locales y pronósticos del tiempo a todo lo largo de los Estados Unidos. Los mensajes meteorológicos grabados se repiten cada 4 a 6 minutos durante las 24 horas del día, y se revisan habitualmente cada una a tres horas o con más frecuencia si es necesario.

Durante condiciones climáticas difíciles, las radiodifusiones meteorológicas habituales serán interrumpidas con mensajes especiales sobre el tiempo.

El MCB-45W se ha diseñado para recibir todas estas frecuencias meteorológicas especiales, además de tres frecuencias marítimas internacionales. Se adjunta una Tarjeta de Referencia de la Frecuencia de Red Meteorológica de NOAA para identificar las frecuencias que específicamente se radiodifunden para su zona geográfica.

El MCB-45W recibe las frecuencias de transmisión del Servicio Meteorológico Nacional y de las condiciones del tiempo marítimo internacional que se indican a continuación.

Canales de CB	1-40	26,965 a 27,405 MHz
Canal meteorológico	01 WX	162.550 MHz
	02 WX	162.400 MHz
	03 WX	162.475 MHz
	04 WX	162.425 MHz
	05 WX	162.450 MHz
	06 WX	162.500 MHz
	07 WX	162.525 MHz
Marítimo internacional	08 WX	161.650 MHz
	09 WX	161.775 MHz
	00 WX	163.275 MHz

Para operar: Gire el control de encendido/apagado de potencia-volumen hacia la derecha y oprima el botón del tiempo. El ícono de "WX" aparecerá junto.

Utilice la tarjeta de referencia de frecuencias meteorológicas para seleccionar la frecuencia adecuada para su área. Seleccione el canal del tiempo adecuado utilizando los botones para desplazarse hacia arriba o hacia abajo por los canales. Reajuste el volumen si es necesario.

Para regresar a la operación de CB, sencillamente oprima de nuevo el botón del tiempo; el ícono de "WX" desaparecerá y la unidad regresará al último canal de CB visualizado.

TABLA DE FRECUENCIA DEL CANAL DE CB (BANDA CIUDADANA)

Canal:	1	26.965 MHz	
	2	26.975 MHz	
	3	26.985 MHz	
	4	27.005 MHz	
	5	27.015 MHz	
	6	27.025 MHz	
	7	27.035 MHz	
	8	27.055 MHz	
	9	27.065 MHz	Canal 9 de Emergencia
	10	27.075 MHz	
	11	27.085 MHz	
	12	27.105 MHz	
	13	27.115 MHz	
	14	27.125 MHz	
	15	27.135 MHz	
	16	27.155 MHz	
	17	27.165 MHz	
	18	27.175 MHz	
	19	27.185 MHz	Canal de Carretera
	20	27.205 MHz	
	21	27.215 MHz	
	22	27.225 MHz	
	23	27.255 MHz	
	24	27.235 MHz	
	25	27.245 MHz	
	26	27.265 MHz	
	27	27.275 MHz	
	28	27.285 MHz	
	29	27.295 MHz	
	30	27.305 MHz	
	31	27.315 MHz	
	32	27.325 MHz	
	33	27.335 MHz	
	34	27.345 MHz	
	35	27.355 MHz	
	36	27.365 MHz	
	37	27.375 MHz	
	38	27.385 MHz	
	39	27.395 MHz	
	40	27.405 MHz	

TABLA DE LOCALIZACIÓN Y REPARACION DE AVERÍAS

Este radio móvil de banda ciudadana ha sido fabricado en conformidad con las exigentes normas de control de calidad de Maxon. El mismo debe manipularse con cuidado razonable. Evite exponerlo a suciedades y a la humedad.

Si presenta problemas, por favor refiérase a esta Tabla de Localización y Reparación de Averías.

POSIBLES SOLUCIONES:

Compruebe la conexión del cable energético	Compruebe los fusibles (en línea y bloque de conexión principal)	Verifique el ajuste del silenciador	Verifique el control de encendido/apagado de potencia-volumen	Cambie al canal activo	Verifique la conexión de la antena	Oprima totalmente la barra de empuje-para-hablar cuando esté hablando	Compruebe la conexión del micrófono
--	--	-------------------------------------	---	------------------------	------------------------------------	---	-------------------------------------

POSIBLES PROBLEMAS:

No hay sonido o LCDs encendidos	●	●	●				
LCD ilumina, pero sin sonido			●	●	●		●
Ninguna recepción de voz			●	●	●	●	●
Recepción pobre			●		●		
Recepción borrosa			●		●		●
Problemas de transmisión	●				●	●	●

ADVERTENCIA: NO INTENTE HACER NINGUN AJUSTE INTERNO.

Los ajustes internos y/o modificaciones pueden llevar al funcionamiento ilegal tal como se define por las Reglas y Regulaciones de la FCC, Parte 95. Deberán hacerse por personal técnico calificado. La operación ilegal puede traer serias consecuencias.

PRECAUCIÓN: El fusible que se incluye con esta unidad es una importante característica de seguridad que **no** debe burlarse. **La eliminación de este fusible o el uso de un fusible de mayor capacidad que el suministrado, puede derivar en el calentamiento y/o incendio y daños emergentes a la unidad y al vehículo.** Si se quema un fusible, lleve a inspeccionar la unidad y a repararla por un técnico de servicio calificado.

ESPECIFICACIONES

GENERALES

Canales de CB:	40
Canales Meteorológicos:	10
Alcance de Frecuencia de CB:	26.965 a 27.405 MHz
Frecuencias Meteorológicas:	01 WX 162.550 MHz 02 WX 162.400 03 WX 162.475 04 WX 162.425 05 WX 162.450 06 WX 162.500 07 WX 162.525 08 WX 161.650 09 WX 161.775 00 WX 163.275
Control de Frecuencia de CB/Meteorológica:	Sintetizador con circuito de sincronización de fase (P-L-L)
Límites de la Temperatura Operativa:	-30° C to +60° C
Pantalla de Canales:	Pantalla de cristal líquido (LCD)
Voltaje de Entrada:	13.8V CD nominal, negativo a tierra
Potencia de Entrada CD:	5 W
Dimensiones (ancho x hondo x alto):	149 x 206 x 48 mm
Peso:	.99 kg.
Altoparlante Externo (optativo):	Entrada de 5 W @ 8 Ohmios con enchufe de 3.5mm

RECEPTOR

Sistema Receptor:	Doble conversión superheterodina de AM
Frecuencia Intermedia:	1a. FI: 10.695 MHz 2a. FI: 455 MHz

Potencia de Salida del Audio:	4 W
-------------------------------	-----

TRANSMISOR

Potencia de Salida de Frecuencia de Radio:	4 W (máximo permitido por la FCC)
--	-----------------------------------

Specifications sujetas a cambio sin avisos.

OTROS PRODUCTOS MAXON

Maxon fabrica una línea completa de productos electrónicos de uso personal, incluyendo radios CB portátiles y móviles, comunicadores personales en 49 MHz, radios para Servicios de Radio Familiares, radios transmisores-receptores GMRS/ DOT, equipos celulares CDMA, GSM y AMPS, monitores meteorológicos y toda una variedad de accesorios optativos. Busque los productos de marcas de **Maxon** en tiendas de venta al detalle por todo el país.

WTA-4WP	Antena móvil para CB/ meteorología con montaje magnético
FRS-114	Radio transmisor-receptor trabaja en uno de 14 canales libre de licencia
WX-70	Receptor meteorológico de 7 canales con 3 diferentes módulos para señal de emergencia

INSTRUCCIONES SERVICIO DE GARANTÍA

- 1) Refiera a la sección de Instrucciones de Operación en su manual de operaciones para operaciones y ajustes apropiados.
- 2) Refiera a tabla de localización y reparación de averías.
- 3) Si el procedimiento anterior no corrige el problema que usted está experimentando devuelva el producto (con el recibo de compra) al lugar en el cual lo compró, o llame al Departamento de Servicio para el cliente de Maxon para asistirle, 1-816-891-6320, Extensión 499.

PARA SU INFORMACIÓN

Fecha de Compra:

Lugar de Compra:

Numero de Serie:

**GUARDE ESTA INFORMACIÓN
EN UN LUGAR SEGURO**

ACLARACIÓN DE LA GARANTÍA LIMITADA

La División de Productos para el Consumidor de Maxon America, Inc. (de aquí en adelante referido como "Maxon"), garantiza que sus Productos y los accesorios incluidos estarán libres de defectos de mano de obra o materiales bajo un uso normal por un período de un (1) año partir de la fecha de compra por el usuario original, siempre y cuando el comprador haya cumplido con los requerimientos aquí declarados.

Si este producto no funciona bajo condiciones normales de uso debido a defecto(s) de fabricación o mano de obra durante el período de un (1) año después de la fecha de compra, será reemplazado o reparado a opción de Maxon sin cargos, una vez retornado al lugar de compra. La unidad defectuosa tiene que estar acompañada de una prueba de la fecha de compra en forma de un recibo de compra.

Maxon no tendrá obligación alguna de hacer reparaciones ni ningún reemplazo que se requiera debido al desgaste normal o que se necesite total o parcialmente debido a una catástrofe, falta o negligencia del usuario, alteraciones impropias o no autorizadas, reparaciones hechas al Producto, cableado incorrecto, uso del Producto de una manera para la cual no fue diseñado, o por causas externas al Producto. Esta garantía es nula si se altera, borra, o remueve el número de serie.

El comprador deberá hacerse responsable de remover el Producto defectuoso e instalación de su repuesto.

LAS GARANTÍAS EXPRESAS AQUI CONTENIDAS SUSTITUYEN TODAS LA OTRAS GARANTÍAS, YA SEAN EXPRESAS, O IMPLICITAS, O ESTATUTARIAS, INCLUYENDO, SIN LIMITACION, CUALQUIER GARANTIA DE BUENA CALIDAD O IDONEIDAD PARA UN PROPOSITO PARTICULAR.

PARA CUALQUIER PRODUCTO QUE NO CUMPLA CON LA GARANTIA ESPECIFICADA, EL UNICO REMEDIO SERA LA REPARACION O REEMPLAZO. MAXON AMERICA, INC. EN NINGÚN CASO SERÁ RESPONSABLE AL COMPRADOR O A SUS CLIENTES POR NINGÚN DAÑO, INCLUYENDO DAÑOS ESPECIALES, INCIDENTALES, INDIRECTOS O CONSECUENTES, NI POR LA PÉRDIDA DE GANANCIAS, INGRESOS O DATOS QUE SURJA DEL USO O LA INHABILIDAD DE USAR ESTE PRODUCTO.

Esta garantía es nula para ventas y envíos fuera de los Estados Unidos.

Thank you for choosing Maxon!
¡Gracias por escoger a Maxon!

**For more information, contact:
Para obtener más información,
comuníquese con:**

**Maxon America, Inc.
Consumer Products Division
10828 NW Air World Drive
Kansas City, Missouri 64153**

**(Within USA) Phone: 1-800-821-7848, Ext. 399
(Outside USA) Phone: 1-816-891-6320, Ext. 399
Fax: 816/891-8815
or explore our website: www.maxonusa.com**