

MODEL NUMBERS

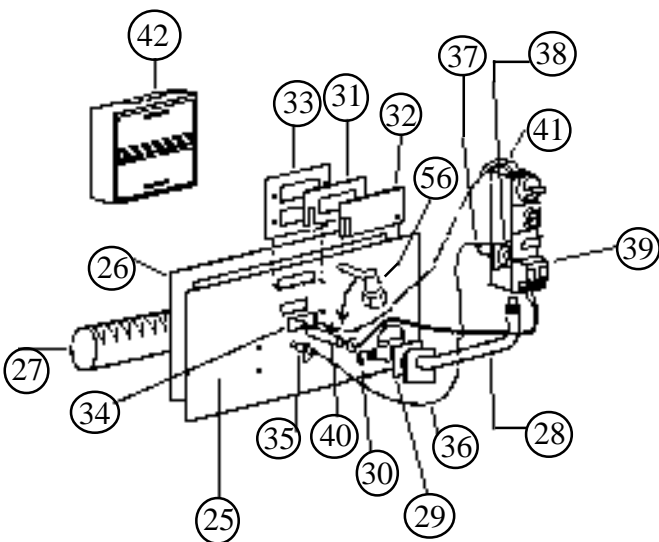
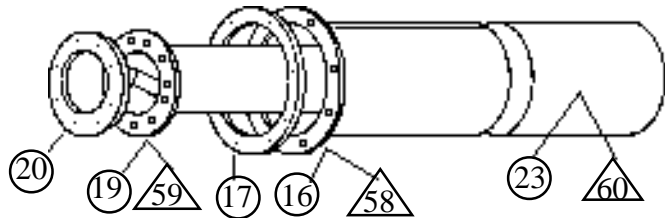
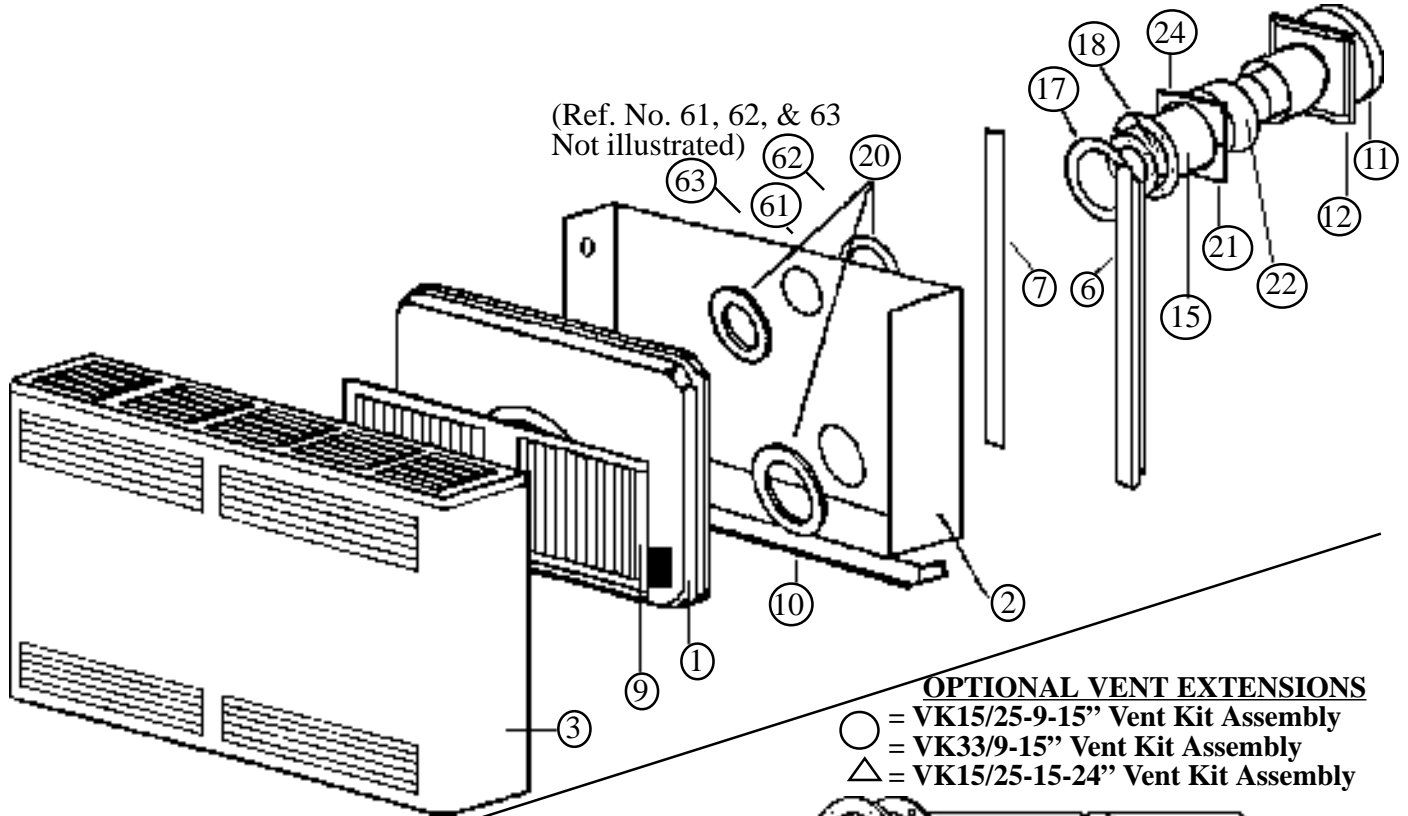
NATURAL GAS
CDV255B
CDV335B

L.P. GAS
CDV256B
CDV336B

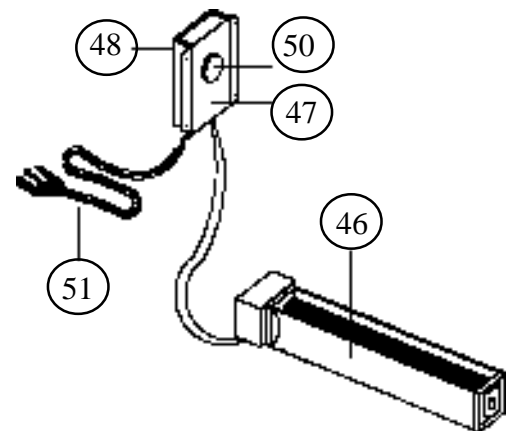
**DIRECT VENT WALL FURNACE
PARTS LIST**

Prices and specifications subject to change
without notice. All prices are F.O.B. factory.

COZY DIRECT VENT WALL FURNACE - CDV25-B / CDV33-B



**OPTIONAL BLOWER ASSEMBLY /
DVB-2**



HOW TO PROPERLY ORDER PARTS: In addition to part description and part number, please give model number, serial number, and type of gas used. This information can be found on the rating plate located in control compartment.

MODEL NUMBERS	NAT.	CDV255B		CDV335B	
	L.P.	CDV256B		CDV336B	
PART DESCRIPTION	REF. NO.	PART NO.	LIST PRICE	PART NO.	LIST PRICE
Heat Exchanger	1	42765	\$229.30	42765	\$229.30
Wrapper w/Comb. Air Pan	2	43451	\$89.80	43451	\$89.80
Cabinet	3	42755	\$190.80	42755	\$190.80
Leg, Right	6	43495	\$9.70	43495	\$9.70
Leg, Left	7	43494	\$9.70	43494	\$9.70
Front Heat Shield Assembly	9	43481	\$23.70	43481	\$23.70
Bottom Heat Shield Assembly	10	43473	\$10.60	43473	\$10.60
Vent Cap	11	43145	\$111.40	43145	\$111.40
Vent Cap Spacer Plate	12	43190	\$14.50	43190	\$14.50
Air Intake Tube Assy. (5-9" Wall) 6-3/4"Dia.	15	43200	\$15.20	43200	\$15.20
Air Intake Tube Assy. (9-15" Wall)	16	43810	\$21.80	43810	\$21.80
Air Intake Tube Assy. (15-24" Wall)	58	43705	\$23.60	N/A	N/A
Air Intake Tube Gasket	17	70061	\$3.50	70061	\$3.50
Vent Exhaust Tube Assy. (5-9" Wall) 4-3/16" dia.	18	43530	\$18.20	43535	\$18.10
Vent Exhaust Tube Assy. (9-15" Wall)	19	43820	\$20.60	43828	\$18.30
Vent Exhaust Tube Assy. (15-24" Wall)	59	43717	\$23.40	N/A	N/A
Vent Exhaust Tube Gasket (Requires 4)	20	70062	\$2.00	70062	\$2.00
Wall Thimble (5-9" Wall)	21	43552	\$14.10	43552	\$14.10
Wall Thimble Extension (5-9" Wall)	22	43236	\$4.60	43236	\$4.60
Wall Thimble Extension (9-15" Wall)	23	43835	\$10.10	43835	\$10.10
Wall Thimble Extension (15-24" Wall)	60	43730	\$14.90	N/A	N/A
Wall Thimble Gasket	24	70066	\$1.60	70066	\$1.60
Burner Access Door	25	43247	\$7.90	43247	\$7.90
Burner Access Door Gasket	26	70060	\$9.30	70060	\$9.30
Burner	27	70006	\$52.40	70006	\$52.40
Manifold	28	70032	\$18.60	70032	\$18.60
Manifold Gasket	29	70065	\$1.20	70065	\$1.20
Main Burner Orifice (Nat. Gas)	30	70048	\$3.40	70047	\$3.40
Main Burner Orifice (L.P. Gas)	30	70039	\$3.40	70049	\$3.40
Sight Glass Assembly	31	43252	\$6.50	43252	\$6.50
Sight Glass Cover	32	43258	\$1.50	43258	\$1.50
Sight Glass/Pilot Burner, Gasket	33	70064	\$1.20	70064	\$1.20
Pilot Burner Q350A1529 (Nat. Gas)	34	80023	\$9.80	80023	\$9.80
Pilot Burner Q350A1537 (L.P. Gas)	34	80022	\$9.80	80022	\$9.80
Electrode	35	70052	\$7.80	70052	\$7.80
Electrode Wire	36	70051	\$2.70	70051	\$2.70
Piezo Sparker	37	80016	\$5.70	80016	\$5.70
Piezo Sparker Bracket	38	43263	\$2.70	43263	\$2.70
Valve, MV, Robertshaw 7000MVRLC-Nat. Gas	39	70090	\$135.70	70090	\$135.70
Valve, MV, Robertshaw 7000MVRLC-L.P. Gas	39	70091	\$144.50	70091	\$144.50
Valve, MV, Dexen 6003, Natural Gas	39	84085	\$135.70	84085	\$135.70
Valve, MV, Dexen 6003LP, L.P. Gas	39	84086	\$144.50	84086	\$144.50
Pilot Generator, TP75 Millivolt	40	70098	\$32.30	70098	\$32.30
Pilot Tubing w/fittings	41	70012	\$6.60	70012	\$6.60
Thermostat, Millivolt	42	74592	\$20.00	74592	\$20.00
Thermostat Wire	N/A	74518	\$1.30	74518	\$1.30
Insulated Staples	N/A	74209	\$1.20	74209	\$1.20
Comb. Air Pan Assembly w/Gaskets	63	43458	\$27.80	43458	\$27.80
Gasket, Air Pan Top & Bottom (15-1/4x1)	61	*70074	\$1.20	*70074	\$1.20
Gasket, Air Pan Sides (25x1)	62	*70073	\$1.20	*70073	\$1.20
90 Degree Elbow	56	70352	\$10.70	70352	\$10.70
Vent Terminal Shield	N/A	34950	\$60.80	34950	\$60.80
Blower Housing w/Motor & Blower	46	70201	\$106.60	70201	\$106.60
Junction Box	47	43610	\$4.20	43610	\$4.20
Junction Box Cover	48	43620	\$5.10	43620	\$5.10
Fan Switch 120 degree	50	70110	\$6.30	70110	\$6.30
Cord Set	51	80202	\$4.20	80202	\$4.20
Cover Plate	N/A	43078	\$2.40	43078	\$2.40
Blower Screen	N/A	43630	\$3.50	43630	\$3.50

Mr. Contractor, we only sell parts through our wholesalers, but the prices listed above are for your convenience. For prompt parts service, contact the wholesaler from which you purchased your Cozy heater. **NOTE:** Parts & schematic drawings on current models are shown at www.cozyheaters.com.