

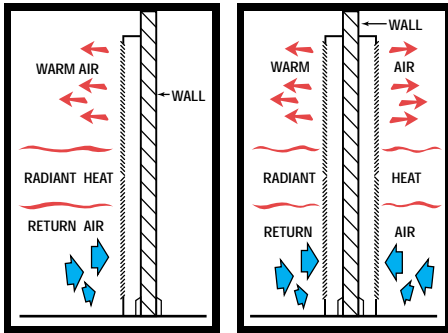
# COZY

# Gravity Wall Furnaces

*Cozy Comfort...with our Warmest Regards!*

Cozy Gravity Wall Furnaces mount on any inside or outside wall (single wall model only) with 16" center stud space and provide both circulated and radiated heat—a preferred combination! Available in either single wall or dual wall models, they provide economy and flexibility of operation and allow individual temperature control in "hard-to-heat" areas. Cozy is a perfect answer for either new construction or remodeling heating applications.

## Single or Dual Wall Models Available



## COZY VALUE FEATURES

- **Neutral Bone Baked Enamel Finish** - resists fading and cleans easily with a damp cloth.
- **Resettable Blocked Flue Safety Device** - automatically shuts the unit off in the event of flue blockage or incorrect vent installation.
- **"Unibody" Grill Construction** - of heavy gauge steel eliminates heat warpage.
- **Self Energizing Controls** - provide their own power, eliminating heat loss even during a power failure.
- **430 Stainless Steel, Ported Burner** - provides quiet ignition and extinction and excellent flame characteristics for Natural and L.P. gas.
- **Low BTU Pilot** - is durably constructed of stainless steel and provides maximum efficiency during standby.
- **Continuous Seam Welded Combustion Chamber** - constructed of heavy gauge steel, maximizes heat transfer and is warranted for ten (10) years.
- **Optional Thermostatically Controlled Fan** - is available for single and dual (uses two) wall furnaces to enhance air circulation and eliminate air stratification.
- **Wall Thermostat or Built-in Bulb Stat** - control options available.

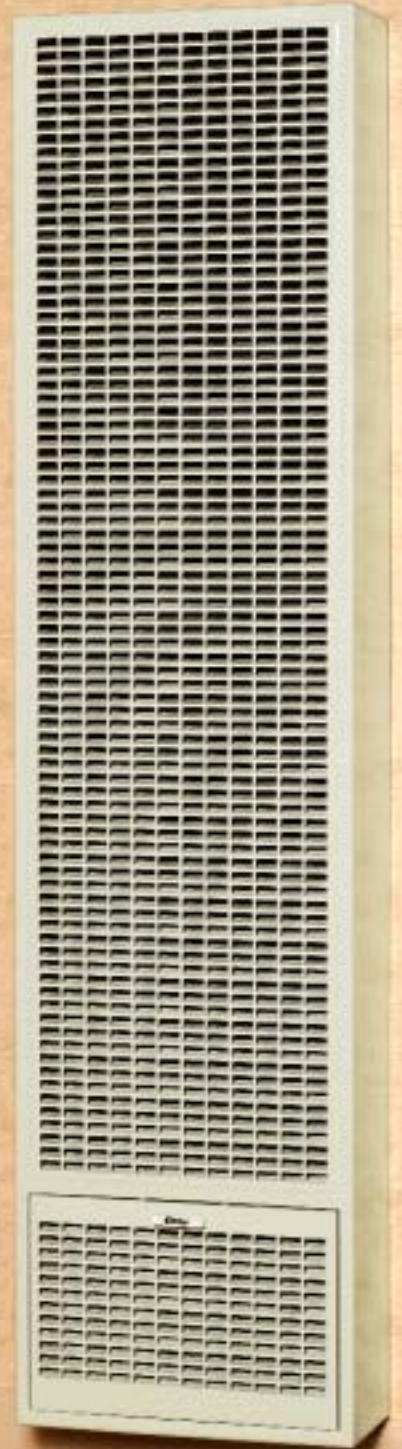


# LTS

Manufacturers of Heating Equipment Since 1888

6 MODELS TO CHOOSE FROM . . . 25,000 TO 50,000 BTU

Mounts in the wall . . . features Comfort and Economy!



LIMITED WARRANTY ON COMBUSTION CHAMBER

www.cozyheaters.com



# Gravity Wall Furnaces

*Engineered for years of efficient, trouble free service  
Featuring 20 gauge aluminized combustion chambers, warranted for 10 years.*



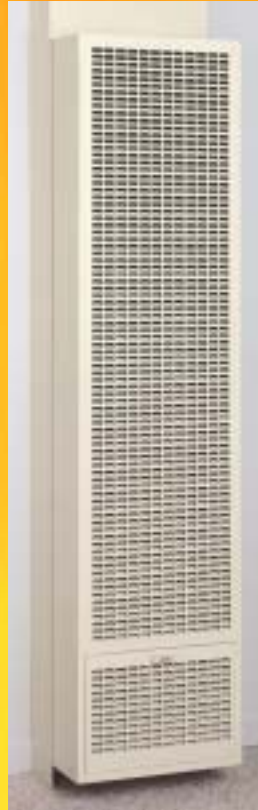
Single Wall Furnace models may be equipped with a Rear Register Kit and Grille (40542) allowing warm air to circulate into the adjoining room. Adjustable vent controls air flow.



Resettable Blocked Flue Safety Device automatically shuts the unit off in the event of flue blockage or incorrect vent installation.



Continuous Seam-Welded Combustion Chamber constructed of heavy gauge aluminized steel, maximizes heat transfer. Warranted for ten (10) years.



Free Standing Kit (FSK) allows single wall furnaces to be surface mounted. Eliminates cutting holes in wall — ideal for masonry wall installation. For use with ceilings up to 8'6" tall; adds 4-3/4" to unit depth. (vent pipe not included). Weight: 16 lbs.



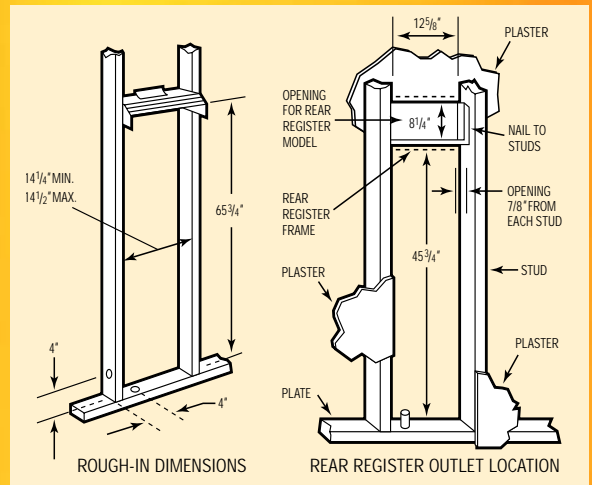
Fan accessory kit (WFF81) available for installation on top of furnace to increase circulation. Adds only 10 1/2" to height of casing. Fits flush against wall — not recessed. Operates at 50 CFM on 115V.



Optional Night Setback Thermostat (XL 110 / XL411) provides economic as well as convenient operation.

## ROUGH IN

Easy installation method reduces installation time to minutes . . . only one man needed. New positive fastening tabs hold grille in place . . . makes installation a snap!



## SPECIFICATIONS

	Model Number	Type Control	Type Gas	BTU/Hr. Input	Vent Size	Gas Inlet	Finished Dimensions	Shipping Weight	Rear Register Kit Model	Rear Register Kit Weight	Fan Kit Model	Fan Kit Weight
SINGLE WALL	W251	Bulb	Nat.	25,000	4"	1/2"	16 1/2" W x 68" H x 6 1/2" D	90 lbs.	40542	5 lbs.	WFF81	10 lbs.
	W255	M. Volt	Nat.	25,000	4"	1/2"	16 1/2" W x 68" H x 6 1/2" D	90 lbs.	40542	5 lbs.	WFF81	10 lbs.
	W252	Bulb	L.P.	25,000	4"	1/2"	16 1/2" W x 68" H x 6 1/2" D	90 lbs.	40542	5 lbs.	WFF81	10 lbs.
	W256	M. Volt	L.P.	25,000	4"	1/2"	16 1/2" W x 68" H x 6 1/2" D	90 lbs.	40542	5 lbs.	WFF81	10 lbs.
	W351	Bulb	Nat.	35,000	4"	1/2"	16 1/2" W x 68" H x 6 1/2" D	90 lbs.	40542	5 lbs.	WFF81	10 lbs.
	W355	M. Volt	Nat.	35,000	4"	1/2"	16 1/2" W x 68" H x 6 1/2" D	90 lbs.	40542	5 lbs.	WFF81	10 lbs.
	W352	Bulb	L.P.	35,000	4"	1/2"	16 1/2" W x 68" H x 6 1/2" D	90 lbs.	40542	5 lbs.	WFF81	10 lbs.
	W356	M. Volt	L.P.	35,000	4"	1/2"	16 1/2" W x 68" H x 6 1/2" D	90 lbs.	40542	5 lbs.	WFF81	10 lbs.
DUAL WALL	W501	Bulb	Nat.	50,000	4"	1/2"	16 1/2" W x 68" H x 6 1/2" D	134 lbs.	N/A	N/A	WFF81	10 lbs.
	W505	M. Volt	Nat.	50,000	4"	1/2"	16 1/2" W x 68" H x 6 1/2" D	134 lbs.	N/A	N/A	WFF81	10 lbs.
	W502	Bulb	L.P.	50,000	4"	1/2"	16 1/2" W x 68" H x 6 1/2" D	134 lbs.	N/A	N/A	WFF81	10 lbs.
	W506	M. Volt	L.P.	50,000	4"	1/2"	16 1/2" W x 68" H x 6 1/2" D	134 lbs.	N/A	N/A	WFF81	10 lbs.

One or two fan kits may be used on dual-wall furnace.

## Louisville Tin & Stove Co.

INCORPORATED

P.O. BOX 2767 • LOUISVILLE, KENTUCKY 40201-2767  
PHONE: (502)589-5380 • FAX: (502)589-5382

[www.cozyheaters.com](http://www.cozyheaters.com)  
[cozyinfo@cozyheaters.com](mailto:cozyinfo@cozyheaters.com)



Manufacturers of heating equipment

for over 118 years



Proud Member Of  
**HARDI**  
HEATING, AIR CONDITIONING  
& REFRIGERATION CONTRACTORS' TRADE ASSOCIATION

