



**REACH STACKER**  
**DATASHEET METRIC**

# SUPER STACKER



**WORKS FOR YOU.™**


# CONTENTS


INDEX - CONTENIDO - INDICE


	Page - Page - Pagina - Pagina:
<b>Dimensions &amp; Load charts</b> · Dimensions & Courbe de charge - Dimensiones y Tabla de carga - Dimensões e Tabela de carga	
▪ TFC45 / TFC45 R .....	4 - 5
▪ TFC45 M / TFC45 MR .....	6 - 7
▪ TFC46 M dry / TFC46 M / TFC46 MX / TFC46 MS / TFC46 MSX .....	8 - 10
▪ TFC46 LX / TFC46 LS / TFC46 LSR / TFC46 LSX .....	11 - 13
<b>Technical specifications</b> · Spécifications techniques - Especificación técnica - Especificações técnicas .....	14 - 18
<b>Options</b> · Options - Opciones - Opções .....	19


## NOTES

NOTES - NOTAS · NOTAS

 Note: Data published herein is intended as a guideline only and shall not be construed to warrant applicability. For actual Reach Stacker operation refer to the computer charts and the operating manual, both of which are supplied with crane

 Notes : Les présentes données sont publiées uniquement à titre indicatif et donc ne peuvent comporter aucun engagement aux fins de la garantie. Pour l'usage du Reach Stacker, consulter les graphiques et le manuel de conduite, qui sont fournis avec la grue.

 Nota : Los datos publicados en el presente catálogo deben considerarse indicativos, por lo tanto no deben entenderse como referencia válida para la aplicación de la garantía. Para el uso correcto del Reach Stacker debe respetarse en todo momento las indicaciones del sistema electrónico así como el manual de uso y mantenimiento que se entregan con la grúa.

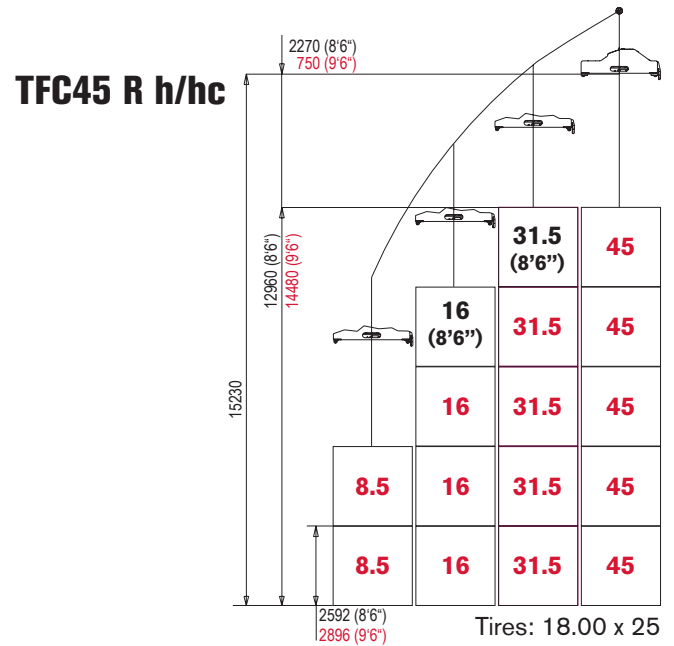
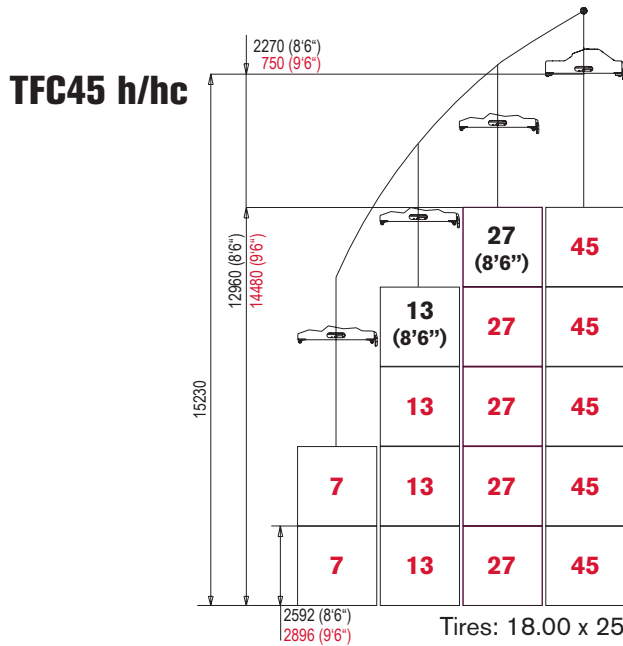
 Nota : Os dados mencionados, são considerados indicativos, e não devem ser interpretados no sentido da aplicabilidade de garantia. Para uso do Reach Steacker deve-e atender a tabela original e o manual do usuário fornecido com o guindaste.

A series of horizontal lines for writing, starting from the bottom of the page and extending upwards. There are 22 lines in total, evenly spaced across the page.

# TFC45 / TFC45 R



## LOAD CHART COURBE DE CHARGE - TABLA DE CARGA - TABELA DE CARGA



### WEIGHT WITH TOP-PICK SPREADER



		No load (boom:25°)		30t (boom:45°)		45t (boom:45°)	
TFC45	F:	36,0t	68,3t	68,6t	98,3t	86,7t	113,3t
	R:	32,3t		29,7t		26,6t	
TFC45 R	F:	35,8t	71,6t	68,4t	101,6t	86,5t	116,6t
	R:	35,8t		33,2t		30,1t	

### MAX SPEED



### MAX GRADEABILITY



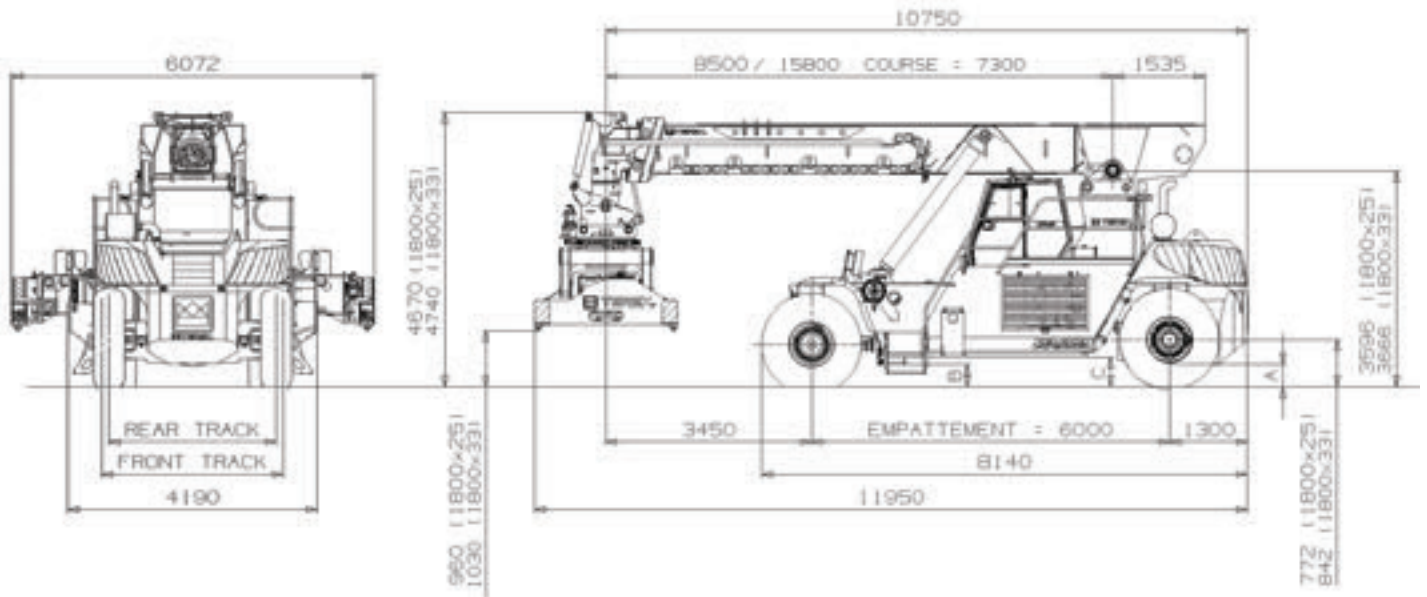
	No load	With 45t	Towing ability		No load		45t full load	
			Cummins QSM11	Scania DC9	Cummins QSM11	Scania DC9	Cummins QSM11	Scania DC9
TFC45	25 km/h	25 km/h	28,9 t	30,6 t	42 %	44,8 %	24,8 %	26,6 %
TFC45 R					40 %	42,7 %	24,5 %	26,2 %

### BOOM

	Telescoping out – no load		Telescoping-out - 30T load		Telescoping-in - no load		Telescoping-in 30T load				
	h	hc	h	hc	h	hc	h	hc			
TFC45	23 sec.-	18 sec.-	23 sec. -	18 sec.-	16 sec. -		17 sec. -				
TFC45 R	0,31 m/s	0,40 m/s	0,31 m/s	0,40 m/s	0,45 m/s		0,42 m/s				
	Hoisting up 0° to 60°				Time to stack a container from 1st to 5th height				Time to unstack a container from 5th to 1st height		
	No load		30T load		No load		30T load		No load		30T load
	h	hc	h	hc	h	hc	h	hc			
TFC45	23 sec.	16 sec.	23 sec.	18 sec.	45 sec.-	35 sec.-	60 sec.-	45 sec.-	28 sec. -		27 sec. -
TFC45 R					0,34 m/s	0,40 m/s	0,25 m/s	0,26 m/s	0,55 m/s		0,50 m/s

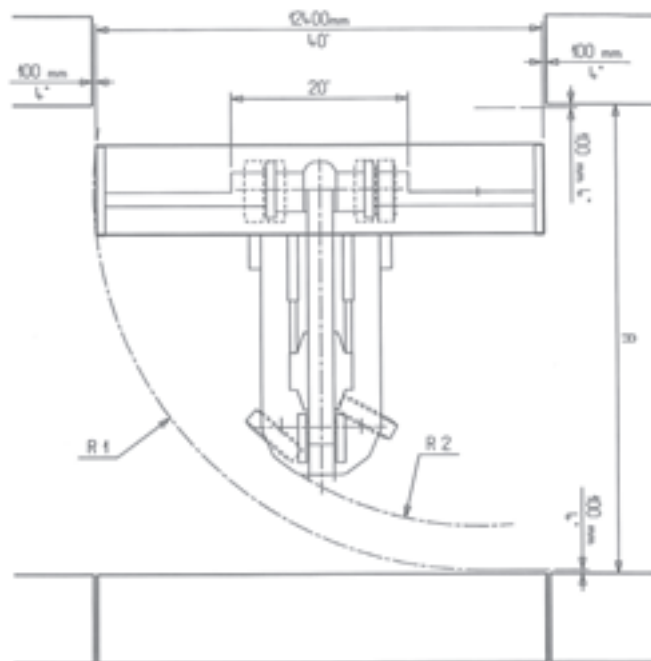
## DIMENSIONS & TURNING RADIUS

DIMENSIONS - DIMENSIONES - DIMENSÕES



WHEEL		
	18.00 x 25	18.00 x 33
FRONT TRACK	3033 mm	3033 mm
REAR TRACK	2770 mm	2770 mm

GROUND CLEARANCE		
	18.00 x 25	18.00 x 33
A	320 mm	390 mm
B	420 mm	490 mm
C	500 mm	570 mm

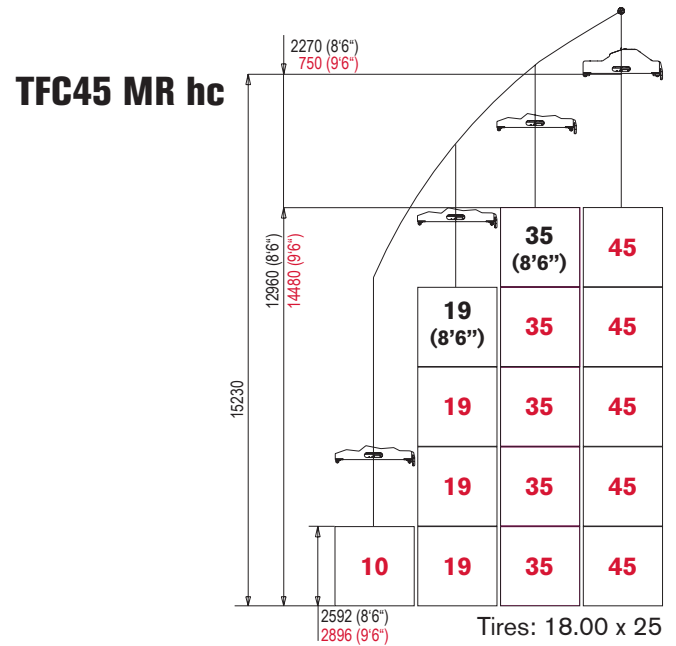
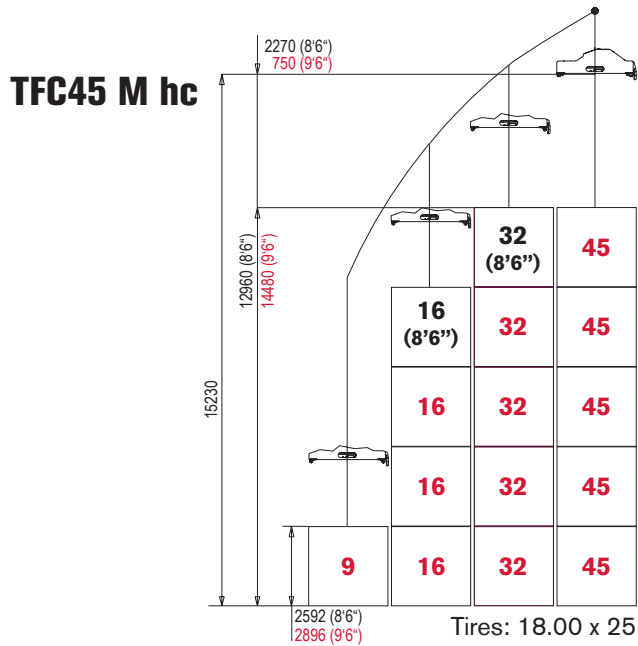


	40'			20'		
	A	R1	R2	A	R1	R2
<b>TFC45 / TFC45 R</b>	12830 mm	10420 mm	8700 mm	10210 mm	7400 mm	8700 mm

# TFC45 M / TFC45 MR



## LOAD CHART COURBE DE CHARGE - TABLA DE CARGA - TABELA DE CARGA



### WEIGHT WITH TOP-PICK SPREADER



	No load (boom:25°)		30t (boom:45°)		45t (boom:45°)		
<b>TFC45 M</b>	F:	34,3t	68,6t	66,2t	98,6t	83,6t	113,3t
	R:	34,3t		32,4t		30,0t	
<b>TFC45 MR</b>	F:	34,2t	72,0t	66,1t	102,0t	83,5t	117,0t
	R:	37,8t		35,9t		33,5t	

### MAX SPEED



### MAX GRADEABILITY



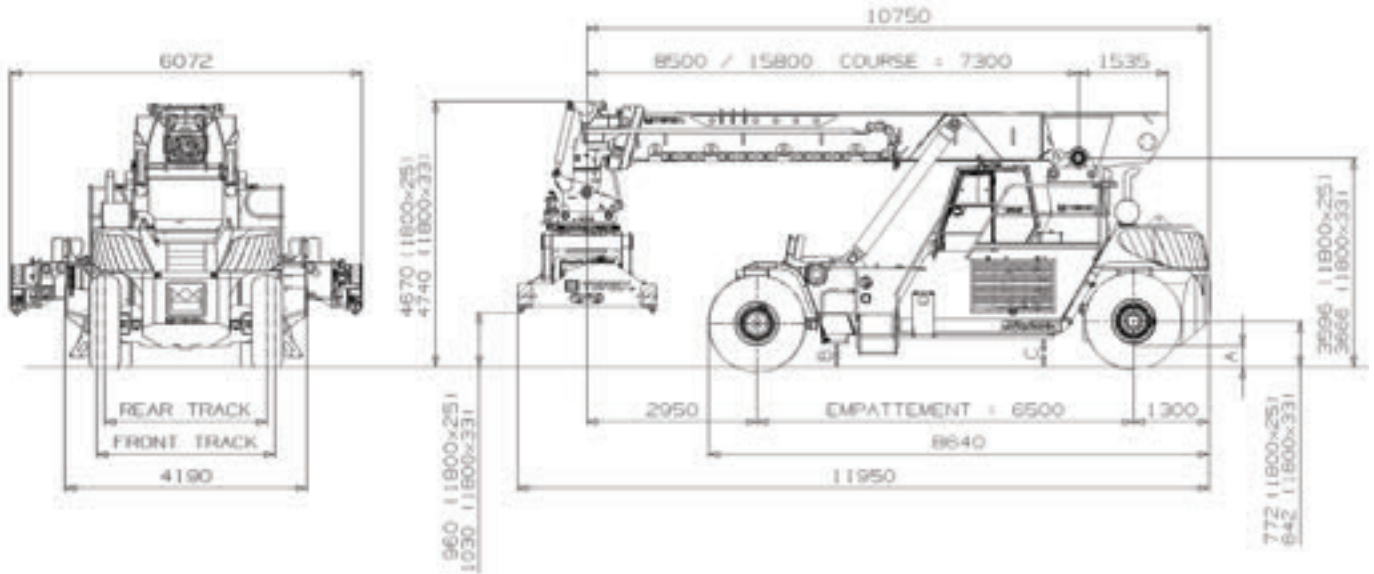
	No load		Towing ability		No load		45t full load	
	No load	With 45t	Cummins QSM11	Scania DC9	Cummins QSM11	Scania DC9	Cummins QSM11	Scania DC9
<b>TFC45 M</b>	25 km/h	25 km/h	28,9 t	30,6 t	42 %	44,8 %	24,8 %	26,6 %
<b>TFC45 MR</b>					40 %	42,7 %	24,5 %	26,2 %

### BOOM

	Telescoping out – no load		Telescoping-out - 30T load		Telescoping-in - no load		Telescoping-in 30T load	
<b>TFC45M</b>	18 sec. -		18 sec. -		16 sec. -		17 sec. -	
<b>TFC45 MR</b>	0,40 m/s		0,40 m/s		0,45 m/s		0,42 m/s	
	Hoisting up 0° to 60°		Time to stack a container from 1st to 5th height		Time to unstack a container from 5th to 1st height			
			(simultaneous functions)		(simultaneous functions)			
	No load	30T load	No load	30T load	No load	30T load	No load	30T load
<b>TFC45M</b>	16 sec.	18 sec.	35 sec.-	45 sec.-	25 sec. -	23 sec. -		
<b>TFC45 MR</b>			0,40 m/s	0,26 m/s	0,55 m/s	0,50 m/s		

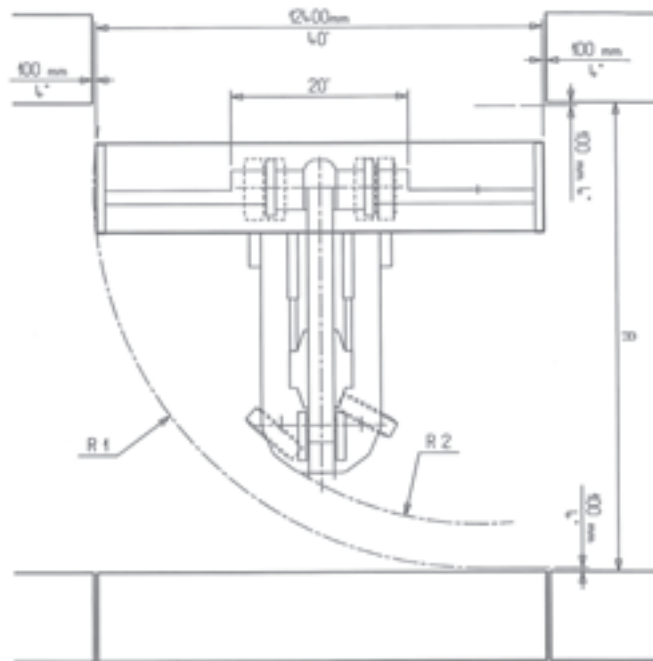
## DIMENSIONS & TURNING RADIUS

DIMENSIONS - DIMENSIONES - DIMENSÕES



WHEEL		
	18.00 x 25	18.00 x 33
FRONT TRACK	3033 mm	3033 mm
REAR TRACK	2770 mm	2770 mm

GROUND CLEARANCE		
	18.00 x 25	18.00 x 33
A	320 mm	390 mm
B	420 mm	490 mm
C	500 mm	570 mm



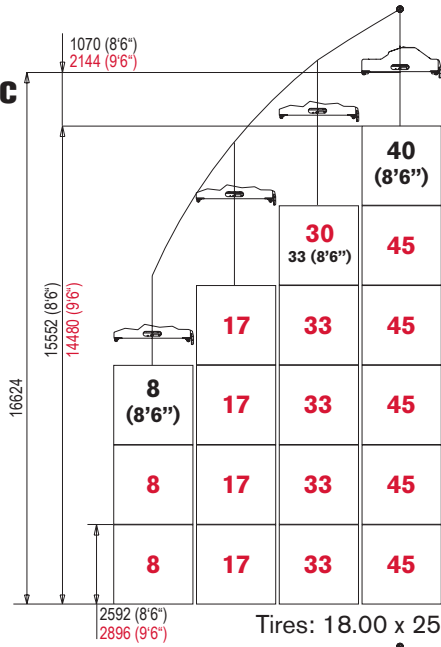
	40'			20'		
	A	R1	R2	A	R1	R2
<b>TFC45M / TFC45 MR</b>	12830 mm	10420 mm	9150 mm	10640 mm	7400 mm	9150 mm

# TFC46 M dry / TFC46 M / TFC46 MX / TFC46 MS / TFC46 MSX

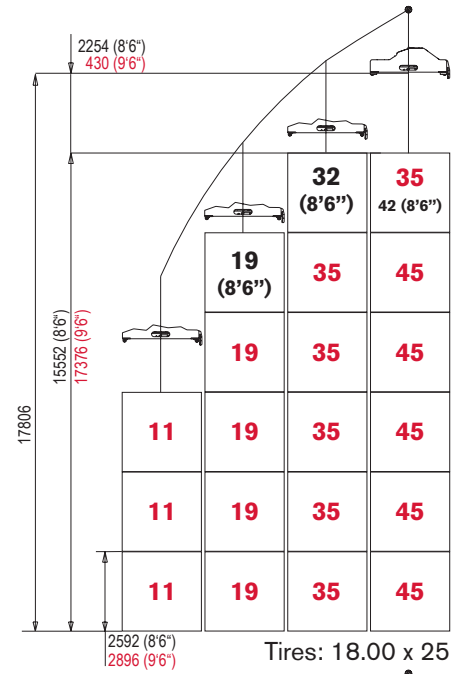


## LOAD CHART COURBE DE CHARGE - TABLA DE CARGA - TABELA DE CARGA

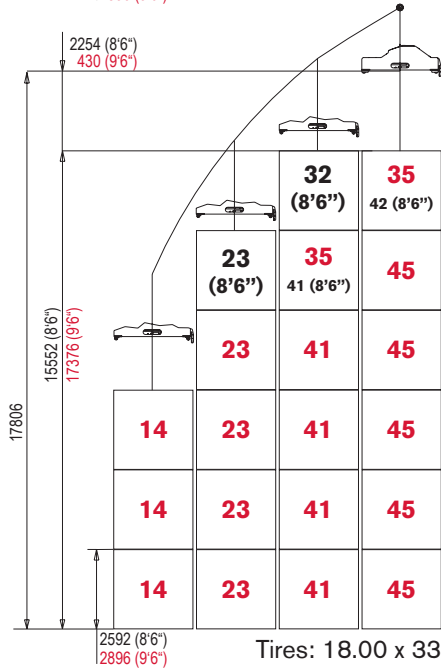
### TFC46 M dry hc



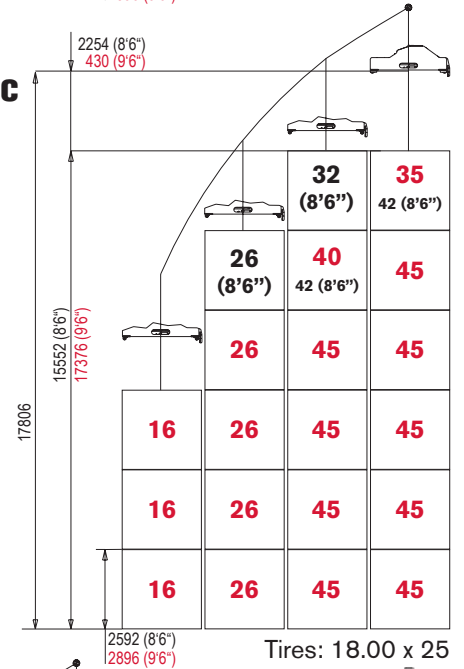
### TFC46 M hc



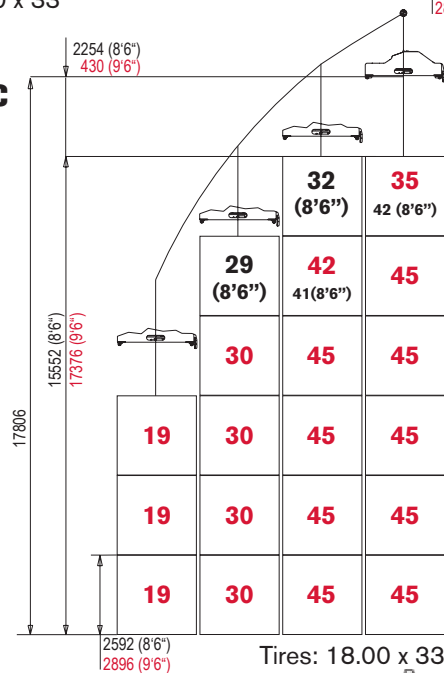
### TFC46 MX hc



### TFC46 MS hc



### TFC46 MSX hc





# TFC46 M dry / TFC46 M / TFC46 MX / TFC46 MS / TFC46 MSX



## WEIGHT WITH TOP-PICK SPREADER



	No load (boom:25°)		30t (boom:45°)		45t (boom:45°)		
<b>TFC46 M dry</b>	F:	33,9t	70,0t	66,8t	100,0t	84,2t	115,0t
	R:	36,1t		33,2t		30,8t	
<b>TFC46 M</b>	F:	37,2t	73,7t	68,3t	103,7t	86,2t	118,7t
	R:	36,5t		35,4t		32,5t	
<b>TFC46 MX</b>	F:	38,1t	74,5t	69,1t	104,5t	87,0t	119,5t
	R:	36,4t		35,4t		32,5t	
<b>TFC46 MS</b>	F:	34,1t	78,9t	67,0t	108,9t	93,8t	123,9t
	R:	44,8t		41,9t		30,1t	
<b>TFC46 MSX</b>	F:	34,5t	79,5t	67,3t	109,5t	84,7t	124,5t
	R:	45,0t		42,2t		39,8t	

## MAX SPEED



## MAX GRADEABILITY



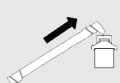
	No load		Towing ability		No load		45t full load	
	No load	With 45t	Cummins QSM11	Scania DC9	Cummins QSM11	Scania DC9	Cummins QSM11	Scania DC9
<b>TFC46 M dry</b>					40 %	42,7 %	24,8 %	26,6 %
<b>TFC46 M</b>					39 %	41 %	24,5 %	26,2 %
<b>TFC46 MX</b>	25 km/h	25 km/h	28,9 t	30,6 t	36,5%	38 %	22,3 %	24,5 %
<b>TFC46 MS</b>					38,5 %	40,5 %	24,2 %	25,5 %
<b>TFC46 MSX</b>					36 %	37,5 %	23 %	25,2 %

## BOOM

Telescoping out – no load



Telescoping-out - 30T load



Telescoping-in - no load



Telescoping-in 30T load



**TFC46 M dry**

**TFC46 M**

**TFC46 MX**

**TFC46 MS**

**TFC46 MSX**

27 sec.-  
0,30 m/s

28 sec.-  
0,29m/s

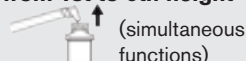
25 sec.-  
0,33 m/s

26 sec.-  
0,22 m/s

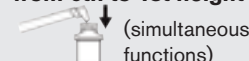
Hoisting up 0° to 60°



Time to stack a container  
from 1st to 6th height



Time to unstack a container  
from 6th to 1st height



No load

30T load

No load

30T load

No load

30T load

**TFC46 M dry**

**TFC46 M**

**TFC46 MX**

**TFC46 MS**

**TFC46 MSX**

22 sec.

22 sec.

42 sec.-  
0,48 m/s

54 sec.-  
0,31 m/s

30 sec. -  
0,55 m/s

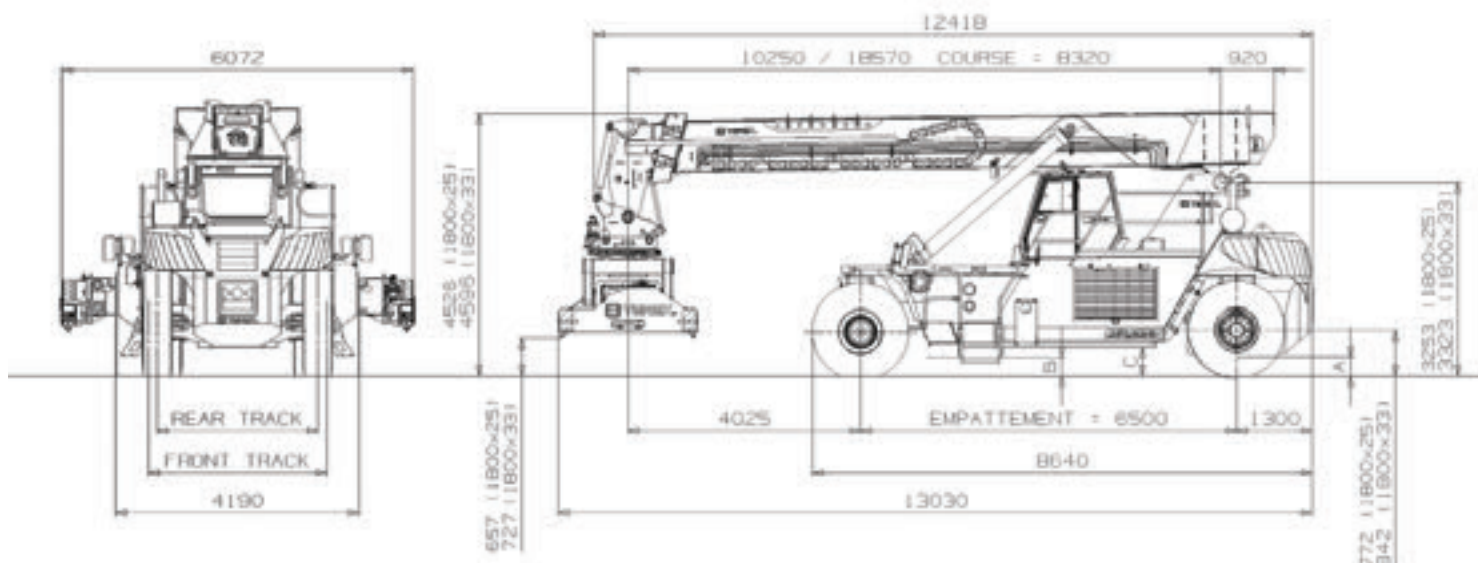
28 sec. -  
0,60 m/s

# TFC46 M dry / TFC46 M / TFC46 MX / TFC46 MS / TFC46 MSX



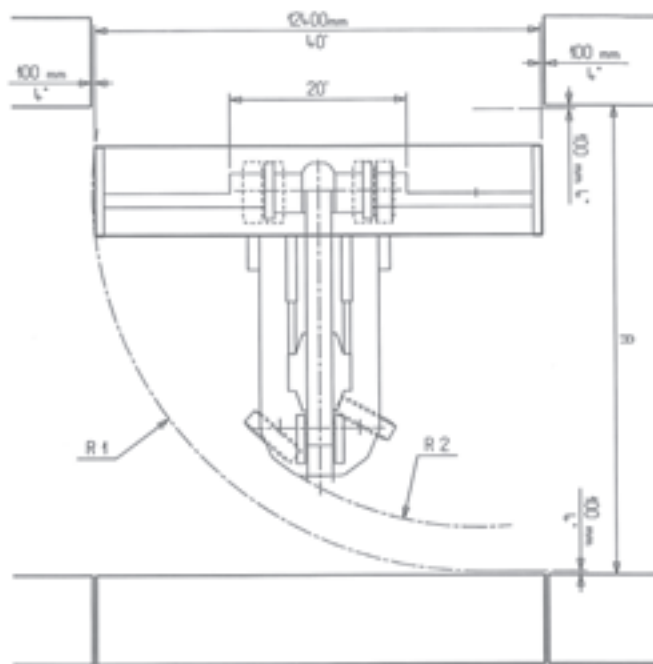
## DIMENSIONS & TURNING RADIUS

DIMENSIONS - DIMENSIONES - DIMENSÕES



WHEEL		
	18.00 x 25	18.00 x 33
FRONT TRACK	3033 mm	3033 mm
REAR TRACK	2770 mm	2770 mm

GROUND CLEARANCE		
	18.00 x 25	18.00 x 33
A	320 mm	390 mm
B	420 mm	490 mm
C	500 mm	570 mm

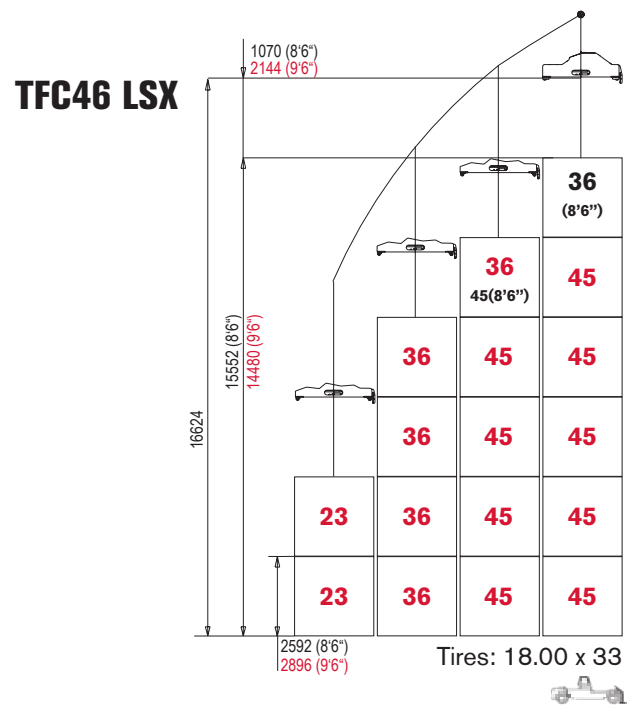
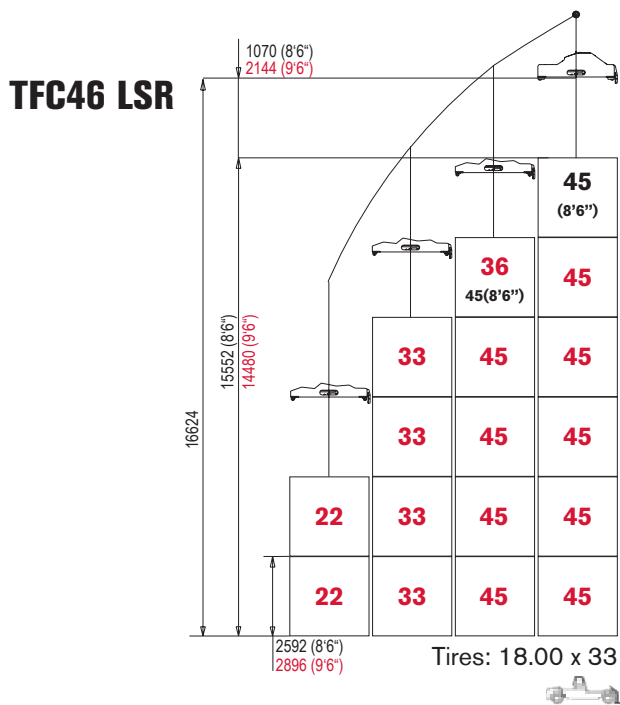
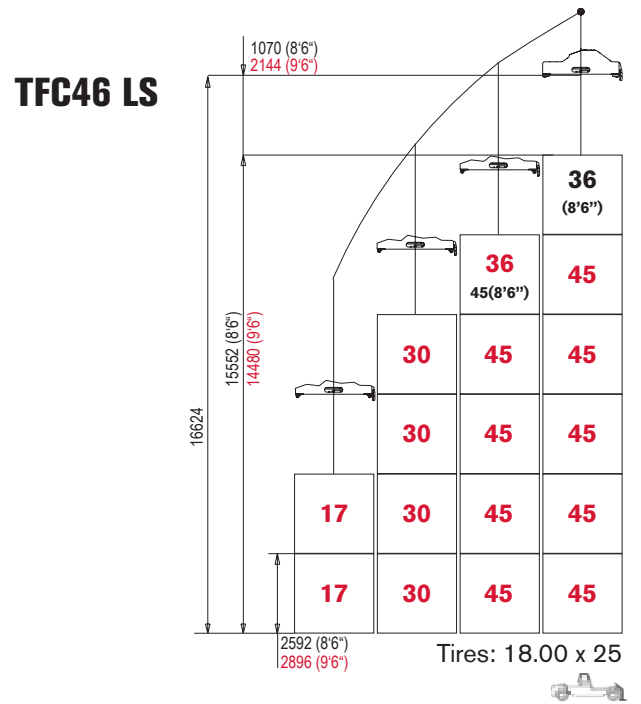
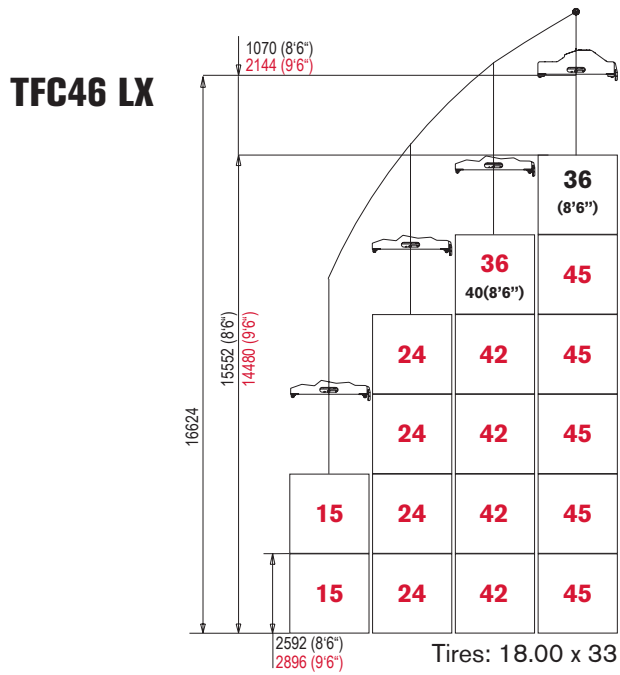


	40'			20'		
	A	R1	R2	A	R1	R2
TFC46 M dry / TFC46 M / TFC46 MX / TFC46 MS / TFC46 MSX	12830 mm	10420 mm	9150 mm	10640 mm	7400 mm	9150 mm

# TFC46 LX / TFC46 LS / TFC46 LSR / TFC46 LSX



## LOAD CHART COURBE DE CHARGE - TABLA DE CARGA - TABELA DE CARGA



# TFC46 LX / TFC46 LS / TFC46 LSR / TFC46 LSX



## WEIGHT WITH TOP-PICK SPREADER



	No load (boom:25°)		30t (boom:45°)		45t (boom:45°)		
<b>TFC46 LX</b>	F:	36,4t	81,7t	65,8t	111,7t	82,6t	126,7t
	R:	45,3t		45,9t		44,1t	
<b>TFC46 LS</b>	F:	39,0t	73,5t	68,4t	103,5t	85,2t	118,5t
	R:	34,5t		35,1t		33,3t	
<b>TFC46 LSR</b>	F:	38,8t	77,8t	68,2t	107,9t	85,0t	122,8t
	R:	39,0t		39,6t		37,8t	
<b>TFC46 LSX</b>	F:	38,7t	80,5t	68,1t	110,5t	84,9t	125,5t
	R:	41,8t		42,4t		40,6t	

## MAX SPEED

## MAX GRADEABILITY



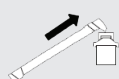
	No load	With 45t	Towing ability		No load		45t full load	
			Cummins QSM11	Scania DC9	Cummins QSM11	Scania DC9	Cummins QSM11	Scania DC9
<b>TFC46 LX</b>					35 %	37 %	22 %	24,2 %
<b>TFC46 LS</b>	25 km/h	25 km/h	28,9 t	30,6 t	39 %	41 %	24,5 %	24,5 %
<b>TFC46 LSR</b>					36,5 %	38 %	24,2 %	24,8 %
<b>TFC46 LSX</b>					36 %	37,5 %	22,5 %	25 %

## BOOM

Telescoping out – no load



Telescoping-out - 30T load



Telescoping-in - no load



Telescoping-in 30T load



<b>TFC46 LX</b>						
<b>TFC46 LS</b>	27 sec.-	28 sec.-	0,29 m/s	25 sec. -	26 sec. -	
<b>TFC46 LSR</b>	0,30 m/s			0,33 m/s		0,32 m/s
<b>TFC46 LSX</b>						

Hoisting up 0° to 60°



Time to stack a container from 1st to 6th height



Time to unstack a container from 6th to 1st height



(simultaneous functions)

(simultaneous functions)

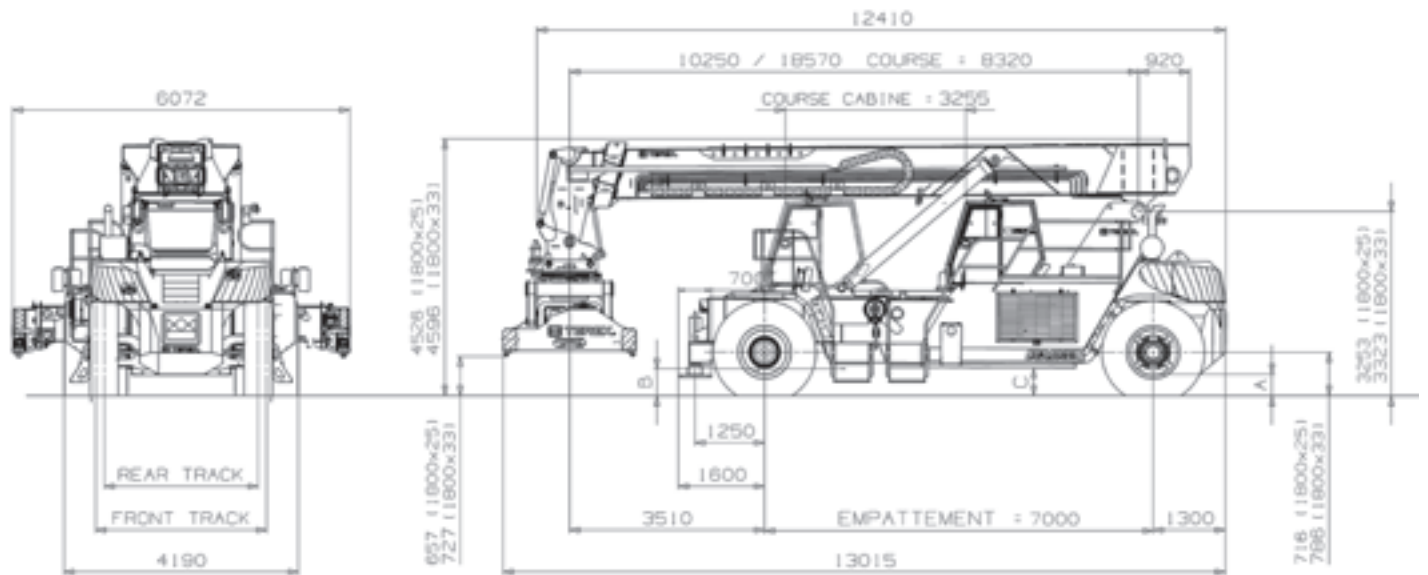
	Hoisting up 0° to 60°		Time to stack a container from 1st to 6th height		Time to unstack a container from 6th to 1st height	
	No load	30T load	No load	30T load	No load	30T load
<b>TFC46 LX</b>						
<b>TFC46 LS</b>	24 sec.	26 sec.	45 sec.-	60 sec.-	32 sec. -	30 sec. -
<b>TFC46 LSR</b>			0,46 m/s	0,28 m/s	0,50 m/s	0,58 m/s
<b>TFC46 LSX</b>						

# TFC46 LX / TFC46 LS / TFC46 LSR / TFC46 LSX



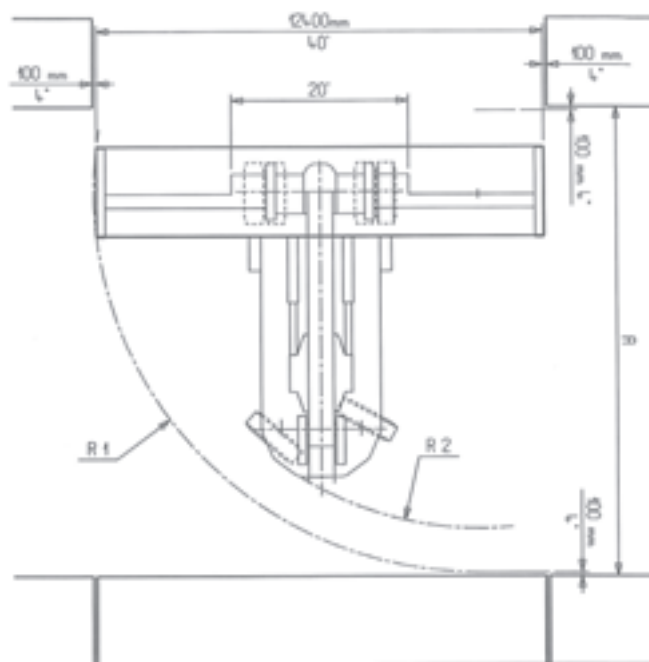
## DIMENSIONS & TURNING RADIUS

DIMENSIONS - DIMENSIONES - DIMENSÕES

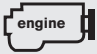



WHEEL		
	18.00 x 25	18.00 x 33
FRONT TRACK	3033 mm	3033 mm
REAR TRACK	2770 mm	2770 mm


GROUND CLEARANCE		
	18.00 x 25	18.00 x 33
A	320 mm	390 mm
B	420 mm	490 mm
C	500 mm	570 mm





	40'			20'		
	A	R1	R2	A	R1	R2
TFC46 LX / TFC46 LS / TFC46 LSR / TFC46 LSX	12830 mm	10520 mm	9600 mm	11020 mm	9600 mm	7500 mm


<b>ENGINE</b> 		
Make	Cummins QSM11	Scania DC9
Exhaust gas regulation	EC: euromot 3a / EPA: Tier3	EC : euromot 3b / EPA : Tier4i
Cooling system	Water cooled	
Fuel	Diesel	
Type	Inline 6 cylinders, turbocharged	Inline 5 cylinders, Turbocharged
Power	Maxi: 320 HP (239 kW) @1800rpm	Maxi: 350 HP (257 kW) from 1500 to 2100rpm
Max. Torque	1478 Nm (1000 to 1400rpm)	1790 Nm (@ 1200rpm)
Displacement	10,82 L	9,3 L
Batteries	2X12 V – 200 Ah	


<b>TRANSMISSION</b> 	
Make	Dana / TE 27418
Torque converter	Hydraulic torque converter – R=2,292
Transmission type	Automatic power shift control / APC 214
Gears FWD / REV	4/4
Gears ratio FWD and REV	5,07 / 2,42 / 1,38 / 0,78


<b>AXLES</b> 	
Front axle: type	Drive axle – Double reduction with wet disk brakes
Reduction	22,6 or 25,40
Rear axle	Heavy duty oscillating axle


<b>TYRES</b> 	
Dimensions	Tubeless 18.00 x 25 or 18.00 x 33 or depending of models
Pressure (1 bar = 1 kg/cm <sup>2</sup> )	10 bars


<b>STEERING</b> 	
Description	Hydrostatic rear steering with double acting cylinder


<b>BRAKES</b> 	
Type	Wet disk brakes on front axle by independent hydraulic circuit
Control	Hydraulic system with SOS accumulator
Parking brake	Spring release disk on the front axle

<b>HYDRAULIC</b>		
Main system	Power regulated Load Sensing	
Main pump	Two section variable displacement – piston pump 145 + 75 cc Flow 460 ltr/mn–service pressure : 320bars	
Controls	By joystick. Boom hoist and telescoping Spreader rotation – side shift	
Auxiliary	Fan for engine, gearbox and intercooler Hydraulic cooler and filtration Braking axle oil cooler Joystick hydraulic (h version only)	Variable displacement pump 28 cc – 58 ltr/mn Gear pump 40 cc – 82 ltr/mn Gear pump 12 cc – 25 ltr/mn Gear pump 8 cc – 16 ltr/mn

<b>CAPACITIES</b>		
Fuel	700 ltr (+ for SCANIA AdBlue : 38 ltr)	
Hydraulic oil	750 ltr	
Cooling system	70 ltr	
Drive axle	94 ltr	
Transmission	70 ltr	
Engine	35 ltr	

<b>CAB</b>		
Dimension	Width=1730, depth=1370, height=1485 (inside dimensions, mm)	
Sound level	70 dba doors shut (EN 12053)	
Air conditioning	Included in standard	

<b>MAINTENANCE</b>		
Auto diagnosis	Engine, Transmission, (+Hydraulic on hc version)	

<b>SECURITY</b>		
Anti tipping device	Automatic cut-off system in case of overload	
Load moment indicator	Standard on “hc” version - Option on “h” version	
Engine	Protection device (reducing engine revolutions and power output) on set parameters for: oil temperature and pressure, coolant temperature, turbo inlet air temperature.	

## CAB



### Premium comfort

- Adjustable steering wheel inclination & height + seat with air-cushion
- Spacious air-conditioned and soundproofed cabin (70dBA)
- Every in-cab electrical components are located in one specific compartment for complete protection and ease of maintenance

### Clear instrumentation

- A quick scan of the instrument panel clearly reveals vital information at a glance.



### Confort Premium

- Volant réglable en hauteur et en inclinaison + siège haut confort à amortisseur pneumatique et réglable toute position
- Cabine climatisée et insonorisée (70dBA)
- Pour une protection totale, les composants électriques sont situés en cabine dans un environnement climatisé et regroupés dans un compartiment spécifique d'accès pratique.

### Instrumentation

- Simple et convivial, le tableau de bord offre à l'opérateur une vision claire et immédiate sur les informations essentielles.



### Confort Superior

- Volante con ajuste de altura e inclinación + asiento con suspensión neumática = máximo confort
- Cabina con aire acondicionado e insonora (70dBA)
- Para una mayor protección, los componentes eléctricos están situados dentro de la cabina climatizada en un compartimiento específico y de fácil acceso.

### Contrôles

- Simple y amigable, el tablero de comando ofrece al operador una visión inmediata de los datos esenciales para el usuario.



### Conforto Superior

- Volante com ajuste da altura e inclinação + assento com suspensão pneumática = conforto máximo
- Cabina climatizada com isolamento acústica (70dBA)
- Para uma proteção total, os componentes elétricos situam-se dentro da cabine em um compartimento específico e de fácil acesso.

### Instrumentos

- Com interface simples e convidativa, o painel de controle oferece ao operador uma visão imediata de todos os dados e informações essenciais.



# COMMON TECHNICAL SPECIFICATIONS



## DASHBOARD TABLEAU DE BORD - TABLERO DE MANDOS - PAINEL

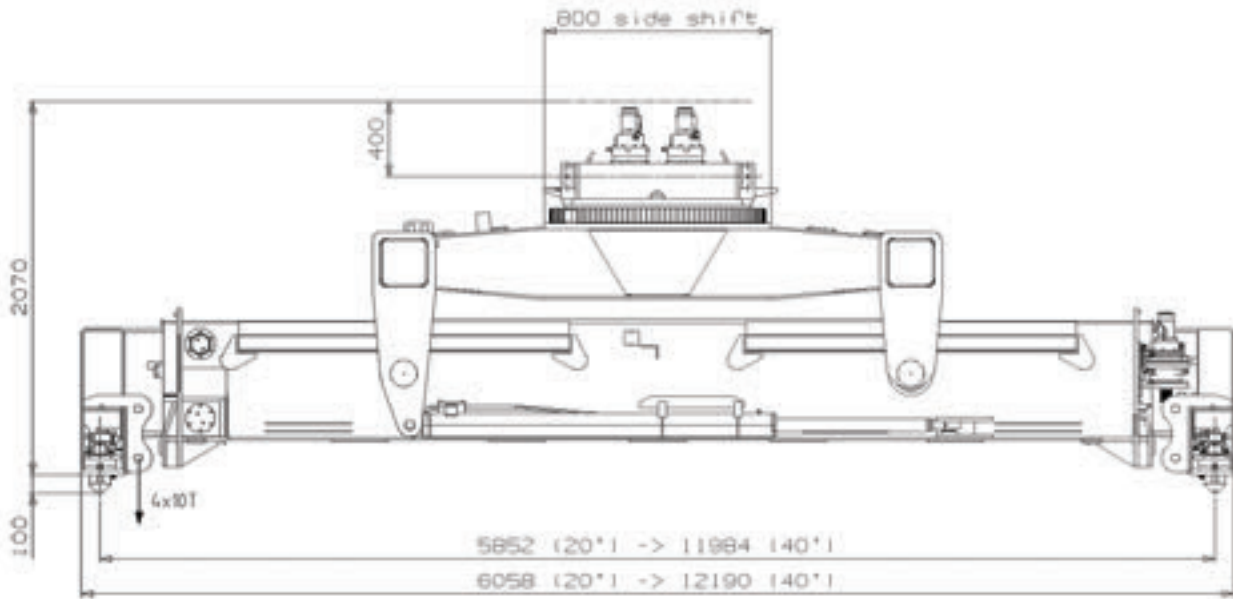
<ul style="list-style-type: none"> <li>● Speed meter</li> <li>● Diesel gauge</li> <li>● Tachometer</li> <li>● Total &amp; Daily hour meter</li> <li>● Fuel Saving / Ecomode</li> </ul>	<ul style="list-style-type: none"> <li>● Time / Date</li> <li>● Engine consumption</li> <li>● Engine / Gearbox default code</li> <li>● Oil temperature &amp; pressure: engine / gearbox</li> </ul>	
<ul style="list-style-type: none"> <li>● Compteur vitesse</li> <li>● Jauge à gasoil</li> <li>● Compte-tours</li> <li>● Compteur horaire totale et journalière</li> <li>● Réduction de Consommation / Ecomode</li> </ul>	<ul style="list-style-type: none"> <li>● Heure / Date</li> <li>● Consommation moteur</li> <li>● Code défaut moteur / boîte de vitesse</li> <li>● Température &amp; Pression huile moteur / boîte de vitesse</li> </ul>	
<ul style="list-style-type: none"> <li>● Velocímetro</li> <li>● Medidor de combustible</li> <li>● Tacómetro</li> <li>● Cronómetro Total y Diario</li> </ul>	<ul style="list-style-type: none"> <li>● Hora / Fecha</li> <li>● Consumo de combustible</li> <li>● Códigos de Fallas de motor / transmisión</li> <li>● Temperatura y Presión aceite de motor / transmisión</li> </ul>	
<ul style="list-style-type: none"> <li>● Velocímetro</li> <li>● Indicador de combustível</li> <li>● Tacômetro</li> <li>● Cronômetro total e diário</li> </ul>	<ul style="list-style-type: none"> <li>● Hora / Data</li> <li>● Consumo de combustível</li> <li>● Códigos de falhas de motor / transmissão</li> <li>● Temperatura e Pressão do óleo do motor / transmissão</li> </ul>	
<ul style="list-style-type: none"> <li>● Reducion de Consume / Ecomode</li> </ul>	<ul style="list-style-type: none"> <li>● Redução de Consumo/ Ecomob</li> </ul>	

## HC VERSION SPECIFICITY SPÉCIFICITÉ - ESPECIFICIDAD - ESPECIFICIDADE

<ul style="list-style-type: none"> <li>● Raised load</li> <li>● Maximum loading</li> <li>● Overload ratio</li> <li>● Length / Angle boom &amp; radius</li> </ul>	<ul style="list-style-type: none"> <li>● Total &amp; Daily container counting device</li> <li>● Hydraulic oil temperature</li> <li>● Hydraulic flows and pressures</li> <li>● Electrical diagnosis system</li> </ul>
<ul style="list-style-type: none"> <li>● Indicateur de charge</li> <li>● Charge maximum permise</li> <li>● Ratio de surcharge</li> <li>● Longueur / Angle de flèche et portée</li> </ul>	<ul style="list-style-type: none"> <li>● Compteur de conteneurs total et journalier</li> <li>● Température huile hydraulique</li> <li>● Flux hydrauliques et pressions</li> <li>● Système de diagnostic électrique</li> </ul>
<ul style="list-style-type: none"> <li>● Indicador de carga</li> <li>● Capacidad máxima permitida</li> <li>● Indicador de sobre carga</li> <li>● Longitud, ángulo de inclinación de la pluma y alcance</li> </ul>	<ul style="list-style-type: none"> <li>● Contador de contenedores Total / Diario</li> <li>● Temperatura de aceite</li> <li>● Presión y flujo del sistema hidráulico</li> <li>● Sistema eléctrico de diagnóstico</li> </ul>
<ul style="list-style-type: none"> <li>● Indicador de carga</li> <li>● Capacidade máxima permitida</li> <li>● Indicador de sobrecarga</li> <li>● Comprimento, ângulo da lança e alcance</li> </ul>	<ul style="list-style-type: none"> <li>● Contador de contêineres Total / Diário</li> <li>● Temperatura do óleo</li> <li>● Pressão e vazão do sistema hidráulico</li> <li>● Sistema elétrico de diagnóstico</li> </ul>

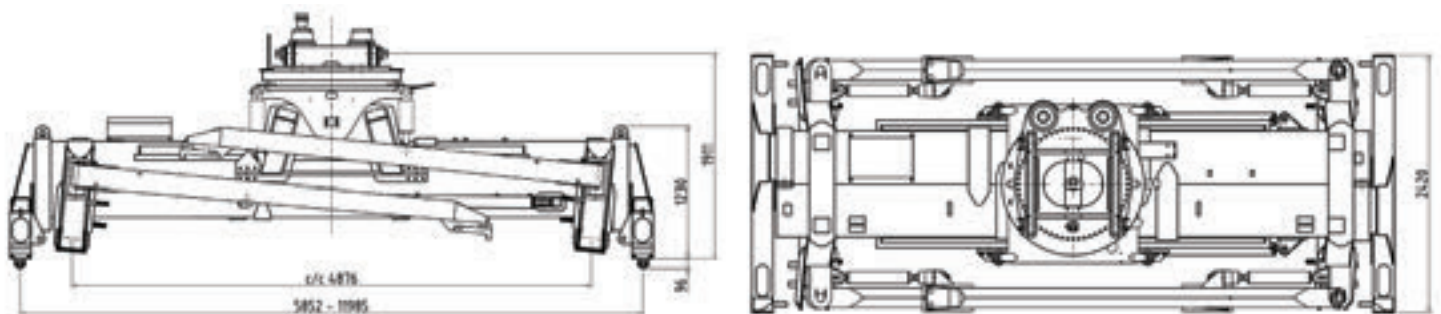
## TOP PICK SPREADER

- SIDE SHIFT ON ROLLERS
- 20' TO 40' BEAMS BY SIMULTANEOUS CHAIN TELESCOPING



Weight	8 t	-
Tilting Angle	± 4°	-
Slewing	+ 95° / - 185°	31 s / 60 s
Hydraulic Side Shift	± 800 mm	11 s
Telescoping 20' - 40'	-	12 s
Locking	-	1 s

## INTERMODAL SPREADER WITH INTEGRATED POWERED PILE SLOPE (OPTION)



Weight	13,5 t	-
Tilting Angle	± 6°	-
Slewing	+ 105° / - 185°	31 s / 60 s
Hydraulic Side Shift	± 800 mm	11 s
Telescoping 20' - 40'	-	25 / 30 s
Lowering	-	11 s
Folding	-	8 s



- Piggy Back spreader
- Fixed or rotary hook 60T
- Powered pile slope +/- 5° tilt, side to side
- Second seat
- Automatic greasing device
- Low temperature kit
- Rear, front & twistlock camera
- Customer colour
- Adaptation to specific needs – contact us to look for the best solution



- Intermodal spreader avec powered pile slope intégré
- Crochet 60T rotatif libre / piloté
- Inclinaison pilotée +/- 5°
- Deuxième siège
- Dispositif de graissage automatique
- Kit basse température
- Camera avant, arrière & twist lock
- Couleur client
- Adaptation à des besoins spécifiques – nous contacter pour trouver des solutions





- Spreader Piggy Back
- Gancho fijo o rotativo 60T
- Inclinación transversal del spreader +/- 5°
- Asiento Auxiliar
- Dispositivo de engrase automático
- Kit de temperatura baja
- Cámara delantera, trasera & twist lock
- Color personalizada cliente
- Adaptación a necesidades específicas - póngase en contacto con nosotros para idear la mejor solución





- Spreader Piggy Back
- Gancho fixo ou rotativo 60T
- Inclinação transversal do spreader +/- 5°
- Assento auxiliar
- Lubrificação centralizada automática
- Kit baixa temperatura
- Câmera traseira, dianteira & twist lock
- Cor personalizada cliente
- Adaptações as necessidades específicas – Contate-nos para desenvolvermos uma solução

## [www.terex.com/port-solutions](http://www.terex.com/port-solutions)

 Effective Date: March 2013. Product specifications and prices are subject to change without notice or obligation. The photographs and/or drawings in this document are for illustrative purposes only. Refer to the appropriate Operator's Manual for instructions on the proper use of this equipment. Failure to follow the appropriate Operator's Manual when using our equipment or to otherwise act irresponsibly may result in serious injury or death. The only warranty applicable to our equipment is the standard written warranty applicable to the particular product and sale and Terex makes no other warranty, express or implied. Products and services listed may be trademarks, service marks or trade-names of Terex Corporation and/or its subsidiaries in the USA and other countries. All rights are reserved. Terex® is a registered trademark of Terex Corporation in the USA and many other countries. Copyright 2013 Terex Corporation.

 Date effective: Mars 2013. Les spécifications et prix des produits peuvent faire l'objet de modifications sans avis préalable. Les photographies et/ou dessins présentées dans ce document servent uniquement à des fins d'illustration. Veuillez vous référer au manuel d'utilisateur approprié pour les instructions relatives à l'utilisation correcte de cet équipement. Le non-respect du manuel d'utilisateur correspondant lors de l'utilisation de notre équipement ou une utilisation non réglementaire de la machine risquent de provoquer de graves blessures, voire la mort. La seule garantie applicable à nos équipements est la garantie écrite standard applicable au produit et à la vente spécifiques. Terex ne délivre aucune autre garantie, expresse ou implicite. Les produits et les services mentionnés peuvent être des marques, des marques de service ou des appellations commerciales de Terex Corporation et/ou de ses filiales aux Etats-Unis et dans d'autres pays. Tous droits réservés. Copyright Terex Corporation 2013.

 Vigencia: Desde Marzo 2013. Terex se reserva el derecho de modificación de especificaciones técnicas y/o precios sin necesidad de aviso previo. Tanto las fotografías como los diagramas contenidos en este documento tienen única y exclusivamente carácter ilustrativo. Para el uso correcto de la maquinaria es necesario seguir las instrucciones contenidas en su respectivo Manual del Operador. El incumplimiento de las instrucciones establecidas en el Manual del Operador mientras se usa nuestra maquinaria, o cualquier otro acto de irresponsabilidad, puede causar graves daños o incluso la muerte. La única garantía aplicable a nuestros equipos es la garantía escrita estándar aplicable particularmente a cada producto y a su venta, estando Terex exonerada de cualquier otro tipo de garantía explícita o implícita. Los productos y servicios expuestos pueden ser marca registrada, marcas de servicio o marcas comerciales de Terex Corporation y/o sus sociedades afiliadas, tanto de Estados Unidos como de otros países, y todos los derechos son reservados. Terex® es una marca registrada de Terex Corporation en Estados Unidos y en muchos otros países. Copyright 2013 Terex Corporation

 Data Efetiva: Marzo 2013. Especificações de produtos e preços, estão sujeitos a alterações sem aviso prévio ou obrigação. As fotografias e / ou desenhos neste documento, são para ilustração somente. A falha em seguir o Manual do Operador, quando adequado, usando o nosso equipamento ou qualquer outro ato irresponsável pode resultar em ferimentos graves ou morte. A garantia que se aplica aos nossos equipamentos é a garantia escrita padrão aplicável ao produto em particular e venda terex e não faz nenhuma outra garantia, expressa ou implícita. Produtos e serviços mencionados podem ser marcas registradas, marcas de serviço ou nomes comerciais da Terex Corporation e / ou suas subsidiárias nos E.U.A. e outros países. Todos os direitos reservados. Terex® é uma marca registrada da Terex Corporation nos E.U.A. e muitos outros países. Copyright 2013 Terex Corporation.

Brochure Reference : TFC 03/2013

Terex Cranes France S.A.S  
Z.I de la Saule – B.P. 106  
F-71304 Montceau-les-Mines Cedex  
France  
tpsfrance@terex.com  
T 00 (33) 3 85 67 38 08  
F 00 (33) 3 85 67 39 35