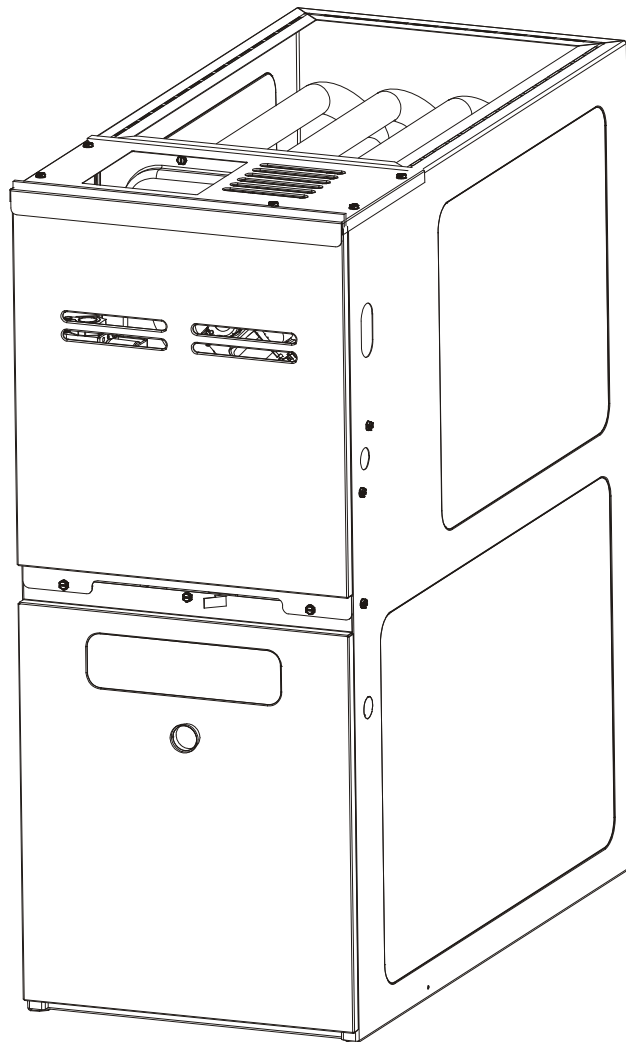


## GHS8 80% High Static Furnace

GHS80453AXCA  
GHS80453AXCB  
GHS80704BXCA  
GHS80704BXC  
GHS80905CXCA  
GHS80905CXC



This manual is to be used by qualified technicians only.

This manual replaces RP-574

© 2009-2010 Goodman Manufacturing Company, L.P. ♦ 5151 San Felipe, Suite 500 ♦ Houston, TX 77056

# Important Information

---

## Index

Functional Parts List .....	3
Illustration and Parts .....	4 - 9

*Views shown are for parts illustrations only, not servicing procedures.*

Revision A: Added "CB" revision models

### Text Codes:

AR - As Required

NA - Not Available

NS - Not Shown

00000000 - See Note

QTY - Quantity Example (QTY 3) (If Quantity not shown, Quantity = 1)

M - Model Example (M1) (If M Code not shown, then part is used on all Models)

### Expanded Model Nomenclature:

Example M1 - Model#1 M2 - Model#2 M3 - Model#3
---

Goodman Manufacturing Company, L.P. is not responsible for personal injury or property damage resulting from improper service. Review all service information before beginning repairs.

Warranty service must be performed by an authorized technician, using authorized factory parts. If service is required after the warranty expires, Goodman Manufacturing Company, L.P. also recommends contacting an authorized technician and using authorized factory parts.

Goodman Manufacturing Company, L.P. reserves the right to discontinue, or change at any time, specifications or designs without notice or without incurring obligations.

For assistance within the U.S.A. contact:  
Consumer Affairs Department  
Goodman Manufacturing Company, L.P.  
7401 Security Way  
Houston, Texas 77040  
877-254-4729-Telephone  
713-863-2382-Facsimile

For assistance outside the U.S.A. contact:  
International Division  
Goodman Manufacturing Company, L.P.  
7401 Security Way  
Houston, Texas 77040  
713-861-2500-Telephone  
713-863-2382-Facsimile

# Functional Parts

## Part

## No: Description:

---

2539307S	BLOWER HOUSING 10 X 10 (M5, M6)
2539305S	BLOWER HOUSING 10 X 6 (M1, M2)
2539306S	BLOWER HOUSING 10 X 8 (M3, M4)
0131F00022	BLOWER MOTOR 1/2 HP, 4 SP, 6 PL (M1, M2)
20046618S	BLOWER MOTOR 3/4 HP (M3, M4, M5, M6)
B1368000S	BLOWER WHEEL 11 X 10 (M5, M6)
B1368053	BLOWER WHEEL 11 X 6 CW (M1, M2)
B1368054	BLOWER WHEEL 11 X 8 (M3, M4)
CAP200000440RPS	CAPACITOR 20/370V (M1, M2)
CAP250000370RPS	CAPACITOR 25/370V (M3, M4, M5, M6)
0130F00010	FLAME SENSOR
B1282628	GAS VALVE (36G) (M1, M3, M5)
0151M00013	GAS VALVE (HONEYWELL 1 STG) (M2, M4, M6)
PCBBF123S	IGNITION BOARD, HSI INTEGRATED
20165703S	IGNITOR
B4022700	INSHOT BURNER ASSY 3" (QTY AR)
B1370818	INTERLOCK SWITCH
10123529	MANUAL RESET LIMIT (QTY 2)
10716003	ORIFICE (QTY AR)
0130F00042	PRESSURE SWITCH (M1, M2)
B1370158	PRESSURE SWITCH -0.70" WC (M3, M4, M5, M6)
20162903	PRIMARY LIMIT - BLUE (M3, M4)
0130M00063	PRIMARY LIMIT - GOLD 140° (M1, M2, M5, M6)
0130F00038	PRIMARY LIMIT - LT BLUE 120°
B1141605	TRANSFORMER 120V TO 24V, 40 VA
0131M00002S	VENT MOTOR

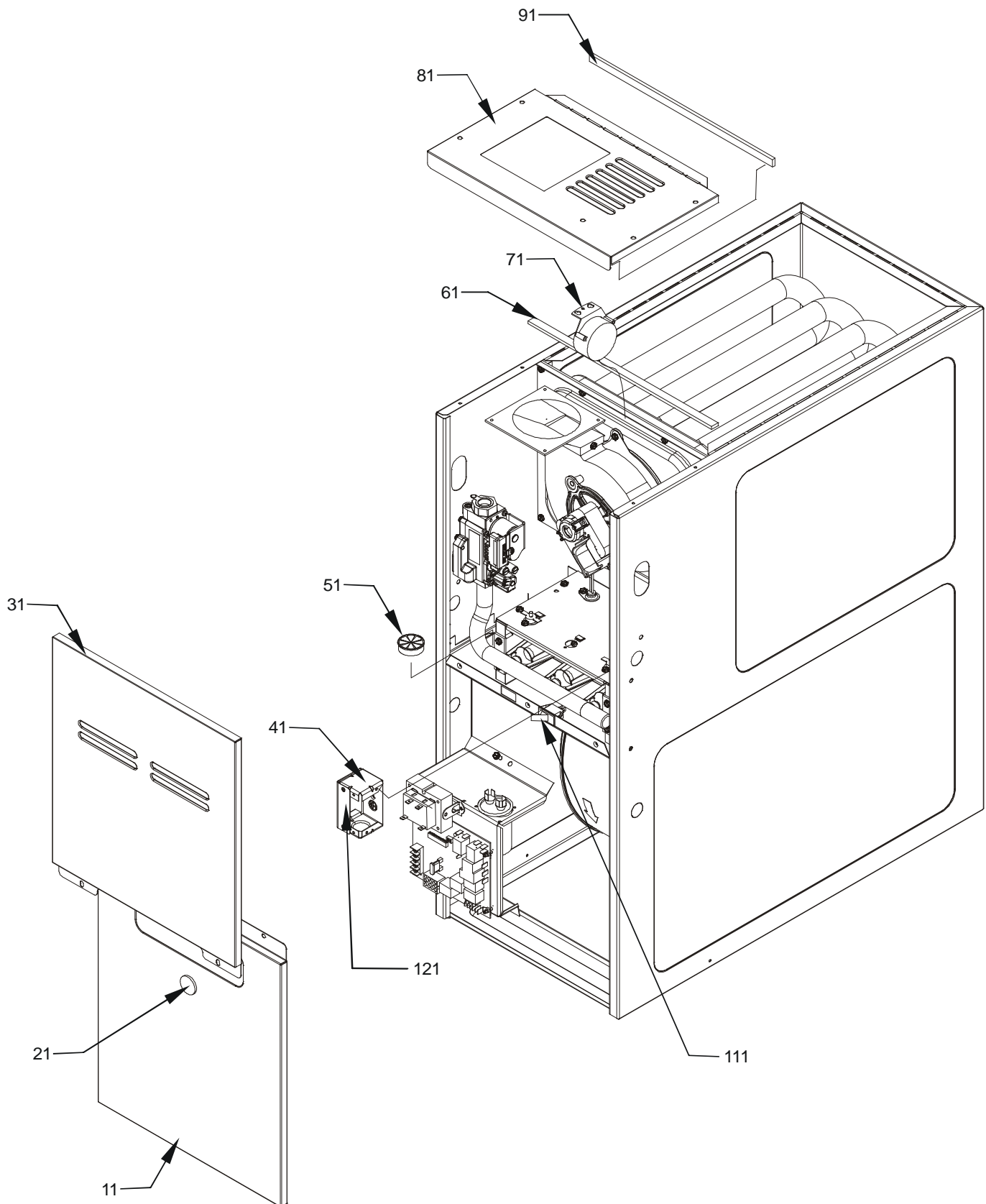
### SPECIAL PARTS

0161F00007	GOODMAN NAMEPLATE
HI-115B	HOMEOWNERS INSTRUCTIONS
IO-669	INSTALL-HUMIDIFIER
IO-359D	INSTR, INSTL & OPER

### Expanded Model Nomenclature

M1 - GHS80453AXCA
M2 - GHS80453AXCB
M3 - GHS80704BXCA
M4 - GHS80704BXC
M5 - GHS80905CXCA
M6 - GHS80905CXC

# Cabinet



# Cabinet

Ref. Part No: No:	Description:	Ref. Part No: No:	Description:
-------------------	--------------	-------------------	--------------

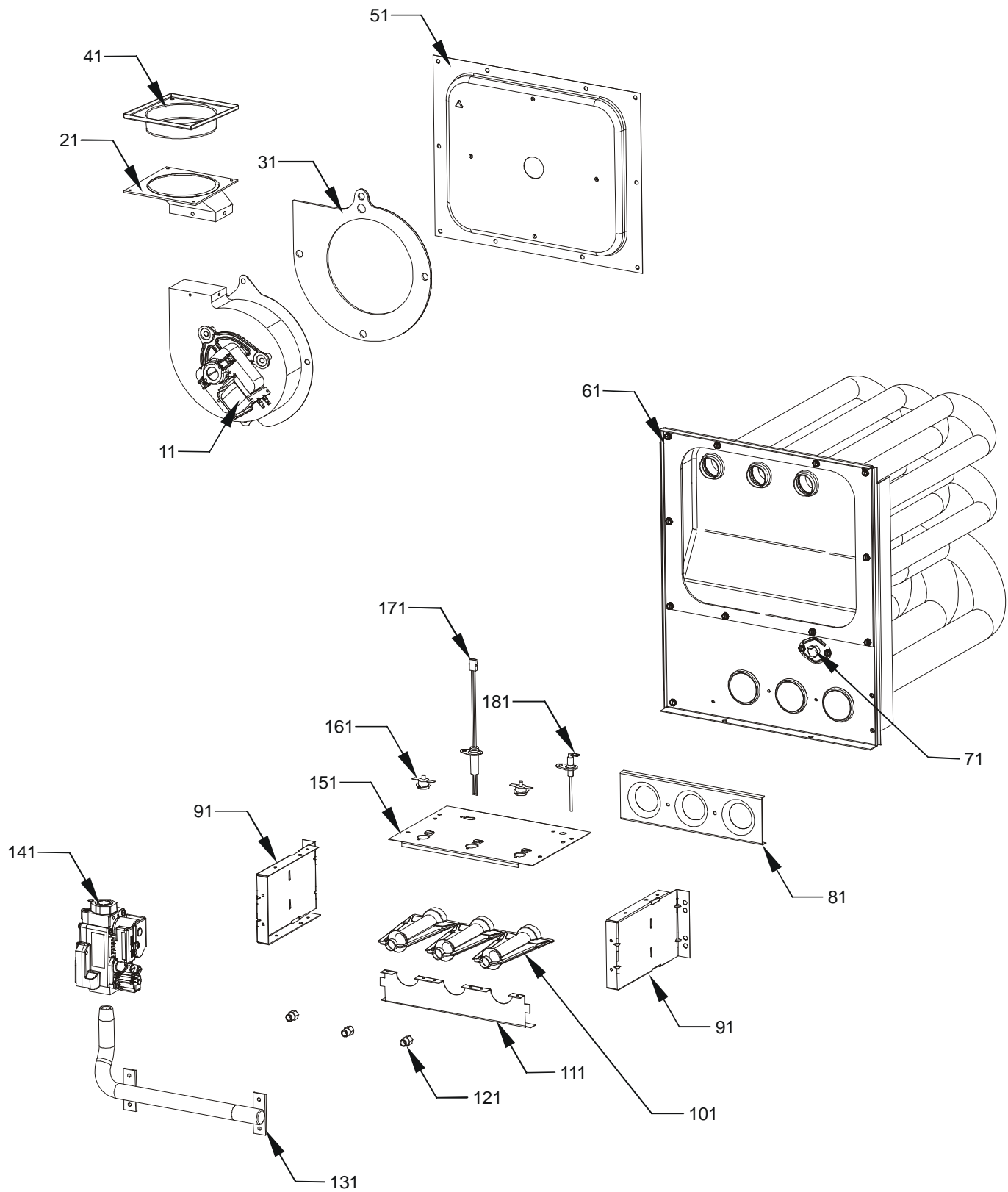
Image 1:

11	0121F00122DGS	BLOWER DOOR 14" (M1, M2)
11	0121F00123DGS	BLOWER DOOR 17.5" (M3, M4)
11	0121F00124DGS	DOOR, BLOWER 21" (M5, M6)
21	B1392139	VIEW PORT BUSHING-BLOWER DOOR
31	0121F00118DGS	ACCESS DOOR 14" (M1, M2)
31	0121F00119DGS	ACCESS DOOR 17.5" (M3, M4)
31	0121F00120DGS	ACCESS DOOR 21" (M5, M6)
41	4014502	J-BOX
51	B1392147	UNIVERSAL BUSHING WITH SLICE
61	B13926111	SEAL STRIP, 1/8 X 1/2 X 14 (M1, M2)
61	B13926112	SEAL STRIP, 1/8 X 1/2 X 17.5 (M3, M4)
61	B13926113	SEAL STRIP, 1/8 X 1/2 X 21 (M5, M6)
71	0130F00042	PRESSURE SWITCH (M1, M2)
71	B1370158	PRESSURE SWITCH -0.70" WC (M3, M4, M5, M6)
81	0121F00141DG	TOP 14" (M1, M2)
81	0121F00142DG	TOP 17.5" (M3, M4)
81	0121F00143DG	TOP 21" (M5, M6)
91	B13926111	SEAL STRIP, 1/8 X 1/2 X 14 (M1, M2)
91	B13926112	SEAL STRIP, 1/8 X 1/2 X 17.5 (M3, M4)
91	B13926113	SEAL STRIP, 1/8 X 1/2 X 21 (M5, M6)
111	B1370818	INTERLOCK SWITCH
121	4015502	J-BOX COVER
NS	0259F00054	12-PIN WIRE HARNESS ASSY
NS	0161F00007	GOODMAN NAMEPLATE
NS	0159F00008	IGNITOR WIRE HARNESS ASSY
NS	0270K00015	SOLID BOTTOM 14" CASE (M1, M2)
NS	0270K00016	SOLID BOTTOM 17.5" CASE (M3, M4)
NS	0270K00017	SOLID BOTTOM 21" CASE (M5, M6)
NS	0259F00052	WIRE KIT

Expanded Model Nomenclature

M1 - GHS80453AXCA
M2 - GHS80453AXCB
M3 - GHS80704BXCA
M4 - GHS80704BXC
M5 - GHS80905CXCA
M6 - GHS80905CXC

# Heat Exchanger Assy



# Heat Exchanger Assy

Ref. Part No:	Part No:	Description:	Ref. Part No:	Part No:	Description:
---------------	----------	--------------	---------------	----------	--------------

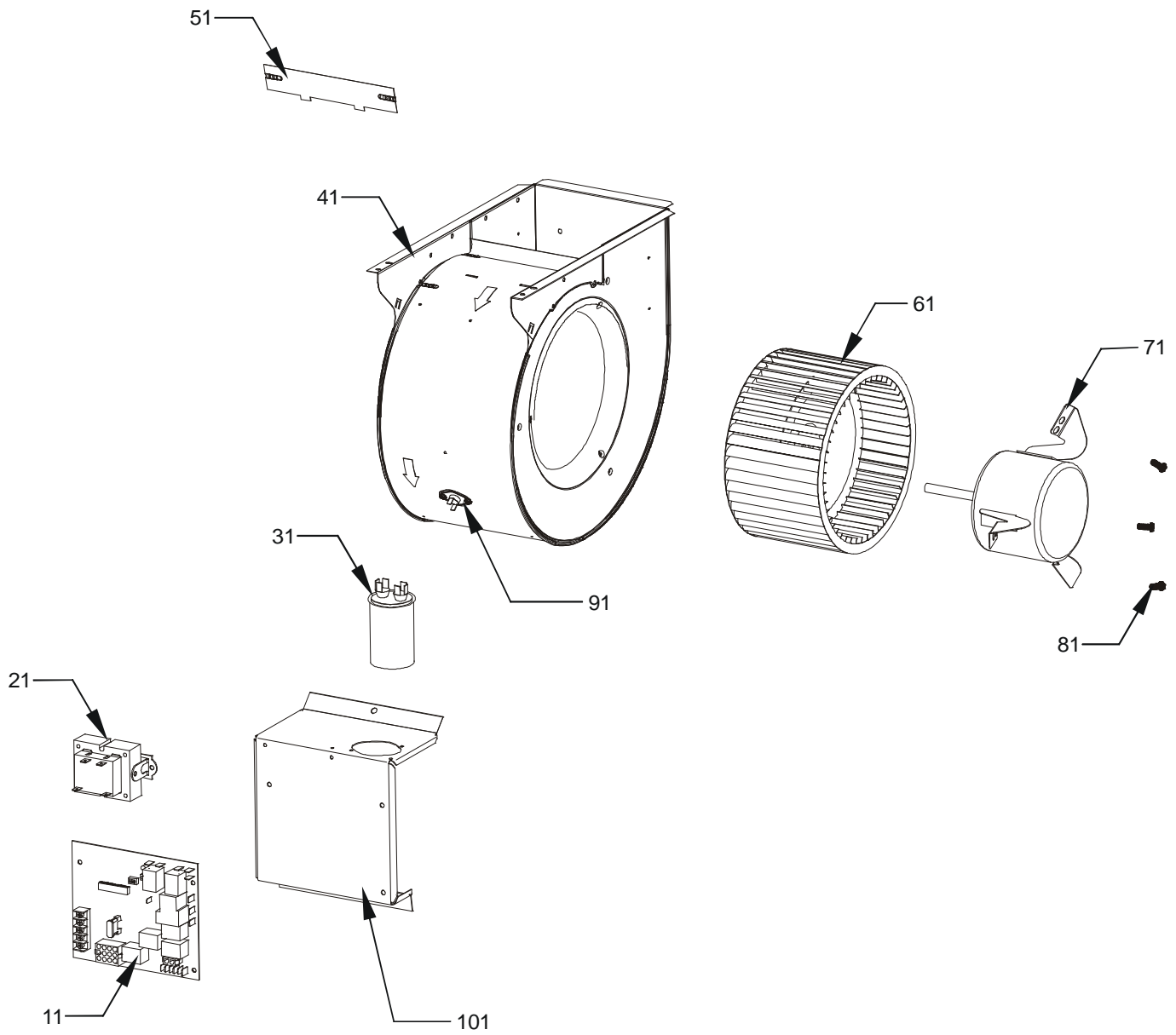
Image 1:

11	0131M00002S	VENT MOTOR			
21	0128F00006	CHIMNEY TRANSITION BOTTOM			
31	0154F00003	VENT MOTOR GASKET 14" (M1, M2)			
31	0154F00004	VENT MOTOR GASKET 17.5" (M3, M4)			
31	0154F00005	VENT MOTOR GASKET 21" (M5, M6)			
41	4023500	CHIMNEY TRANSITION TOP			
51	0121F00198	FLUE COLLECTOR BOX KIT 14" 1.75 DIA (M1, M2)			
51	0121F00161	FLUE COLLECTOR BOX KIT 17.5" 2.0 DIA (M3, M4)			
51	0121F00130	FLUE COLLECTOR BOX KIT 21" 2.25 DIA (M5, M6)			
61	0270F00900	HEAT EXCHANGER ASSY (M1, M2)			
61	0270F00929	HEAT EXCHANGER ASSY (M3, M4)			
61	0270F00930	HEAT EXCHANGER ASSY (M5, M6)			
71	20162903	PRIMARY LIMIT - BLUE (M3, M4)			
71	0130M00063	PRIMARY LIMIT - GOLD 140° (M1, M2, M5, M6)			
81	4028000	ORIFICE SHIELD 2 CELL (M1, M2)			
81	4028001	ORIFICE SHIELD 3 CELL (M3, M4)			
81	4028002	ORIFICE SHIELD 4 CELL (M5, M6)			
91	0121F00146	BURNER BOX SIDE (QTY 2)			
101	B4022700	INSHOT BURNER ASSY 3" (QTY AR)			
111	0121F00167	BURNER BRACKET 2B (M1, M2)			
111	0121F00168	BURNER BRACKET 3B (M3, M4)			
111	0121F00169	BURNER BRACKET 4B (M5, M6)			
121	10716003	ORIFICE (QTY AR)			
131	0120F00006	MANIFOLD (M1, M2)			
131	0120F00017	MANIFOLD (M3, M4)			
131	0120F00018	MANIFOLD (M5, M6)			
141	B1282628	GAS VALVE (36G) (M1, M3, M5)			
141	0151M00013	GAS VALVE (HONEYWELL 1 STG) (M2, M4, M6)			
151	0121F00162	BURNER BOX TOP 2 CELL (M1, M2)			
151	0121F00163	BURNER BOX TOP 3 CELL (M3, M4)			
151	0121F00164	BURNER BOX TOP 4 CELL (M5, M6)			
161	10123529	MANUAL RESET LIMIT (QTY 2)			
171	20165703S	IGNITOR			
181	0130F00010	FLAME SENSOR			

Expanded Model Nomenclature

M1 - GHS80453AXCA
M2 - GHS80453AXCB
M3 - GHS80704BXCA
M4 - GHS80704BXC
M5 - GHS80905CXCA
M6 - GHS80905CXC

# Blower and Control Panel





# Blower and Control Panel

Ref. Part No:	No:	Description:	Ref. Part No:	No:	Description:
<i>Image 1:</i>					
11	PCBBF123S	IGNITION BOARD, HSI INTEGRATED			
21	B1141605	TRANSFORMER 120V TO 24V, 40 VA			
31	CAP200000440RPS	CAPACITOR 20/370V (M1, M2)			
31	CAP250000370RPS	CAPACITOR 25/370V (M3, M4, M5, M6)			
41	2539307S	BLOWER HOUSING 10 X 10 (M5, M6)			
41	2539305S	BLOWER HOUSING 10 X 6 (M1, M2)			
41	2539306S	BLOWER HOUSING 10 X 8 (M3, M4)			
51	764741F	BLOWER BLOCK-OFF 10 X 10 (M5, M6)			
51	764740F	BLOWER BLOCK-OFF 10 X 8 (M3, M4)			
51	764739	BLOWER CUT-OFF 10 X 6 (M1, M2)			
61	B1368000S	BLOWER WHEEL 11 X 10 (M5, M6)			
61	B1368053	BLOWER WHEEL 11 X 6 CW (M1, M2)			
61	B1368054	BLOWER WHEEL 11 X 8 (M3, M4)			
71	0131F00022	BLOWER MOTOR 1/2 HP, 4 SP, 6 PL (M1, M2)			
71	20046618S	BLOWER MOTOR 3/4 HP (M3, M4, M5, M6)			
81	M0250558	TC SCREW (QTY 3)			
91	0130F00038	PRIMARY LIMIT - LT BLUE 120°			
101	1815817	CONTROL MOUNT PANEL			

## Expanded Model Nomenclature

M1 - GHS80453AXCA
M2 - GHS80453AXCB
M3 - GHS80704BXCA
M4 - GHS80704BXC
M5 - GHS80905CXCA
M6 - GHS80905CXC

**THIS PAGE INTENTIONALLY LEFT BLANK**