

FEATURES

92.1% AFUE

Heating input range 50,000 – 125,000 BTUH

Cooling capacity supported 1 1/2 - 5 ton

Upflow/horizontal-left application flexibility

Electronic air cleaner connection (115V)

Humidifier connection (115V)

5 amp fused low voltage circuit protection

Time delay off for air conditioner SEER enhancement

Twinning compatible

WARRANTY

Limited lifetime warranty on heat exchanger, 5-year limited warranty on covered components (see warranty certificate for details)

HEAT EXCHANGER ASSEMBLY

Crimp-Tite™ crimped aluminized steel primary heat exchanger for longer life and safe operation

Stainless steel secondary heat exchanger maximizes durability and efficiency

VENTING

Category IV appliance

Can be vented horizontally or vertically using 2" or 3" Schedule 40 PVC, ABS, or CPVC (see installation manual for details)

Approved for 2-pipe (direct vent) or single-pipe applications

Approved for installations with listed concentric vent kit

CONTROLS

Integrated furnace control with LED diagnostics for fast, accurate troubleshooting

SAFETY

CSA certified for US and Canada

Safety limit prevents overheating

CABINET

Heavy-gauge, insulated cabinet provides strength and quiet comfort

Ducane diagnostic sleeve for fast, safe troubleshooting

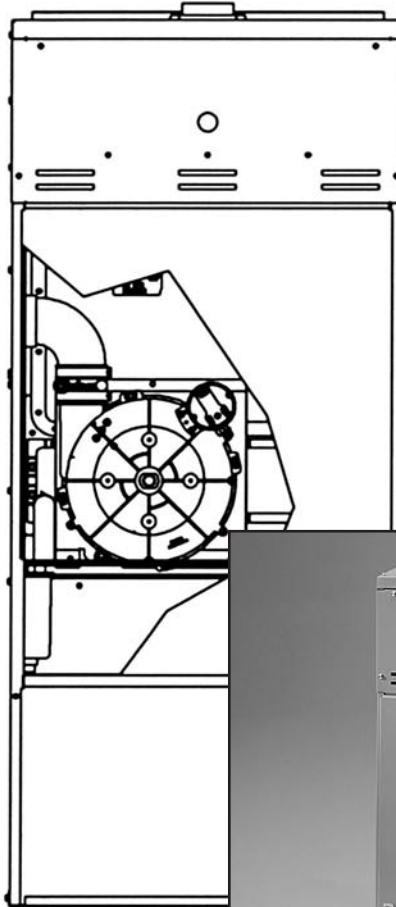
INDOOR AIR BLOWER

Three-speed PSC blower motor

Ducane Gas Furnace

FITS-ALL 92™

UPFLOW/HORIZONTAL-LEFT MODELS



Ducane[®]
AIR CONDITIONING
AND HEATING

THE DIFFERENCE IS QUALITY.™

WWW.DUCANEHVAC.COM



Ducane Gas Furnace

FITS-ALL 92™

UNIT SPECIFICATIONS

	CMPE050U2B	CMPE050U3B	CMPE075U2B	CMPE075U3B
GAS	NATURAL (LP WITH CONVERSION KIT)			
INPUT RATE (BTU per Hour)	50,000	50,000	75,000	75,000
HEATING CAPACITY	46,000		70,000	
AFUE (ISOLATED COMB. SYSTEM)	92.1%			
TEMPERATURE RISE	40-70°F	35-65°F	45-75°F	40-70°F
VOLTS/PHASE/HERTZ	115/1/60			
STATIC PRESSURE (certified max)	0.50"W.C.			
BLOWER MOTOR HORSEPOWER	1/4	1/3	1/4	1/3
BLOWER WHEEL SIZE (dia x width)	10 x 6			
NUMBER OF HEAT EXCHANGERS	2		3	
FLUE AND AIR INLET PIPE-CONNECTION (schedule 40 PVC, ABS or CPVC used on all)	2"			
LIMIT CONTROL, SNAP DISC STYLE	170°F	170°F	170°F	170°F
GAS VALVE/IGNITION CONTROL	INTEGRATED FURNACE CONTROL W/ 115V HSI SYSTEM			
TRANSFORMER	40 VA. 115 VAC PRIMARY, 24 VAC SECONDARY, FOOT-MOUNTED			
MAXIMUM OUTLET TEMPERATURE	180°F			
SHIPPING WEIGHTS	152		158	
	CMPE100U3B	CMPE100U4B	CMPE125U5B	
GAS	NATURAL (LP WITH CONVERSION KIT)			
INPUT RATE (BTU per Hour)	100,000	100,000	125,000	
HEATING CAPACITY	93,000		116,000	
AFUE (ISOLATED COMB. SYSTEM)	92.1%			
TEMPERATURE RISE	40-70°F		45-75°F	
VOLTS/PHASE/HERTZ	115/1/60			
STATIC PRESSURE (certified max)	0.50"W.C.			
BLOWER MOTOR HORSEPOWER	1/3	1/2	3/4	
BLOWER WHEEL SIZE (dia x width)	10 x 9	12 x 9	12 x 12	
NUMBER OF HEAT EXCHANGERS	4		5	
FLUE AND AIR INLET PIPE-CONNECTION (schedule 40 PVC, ABS or CPVC used on all)	2"			
LIMIT CONTROL, SNAP DISC STYLE	170°F	170°F		
GAS VALVE/IGNITION CONTROL	INTEGRATED FURNACE CONTROL W/ 115V HSI SYSTEM			
TRANSFORMER	40 VA. 115 VAC PRIMARY, 24 VAC SECONDARY, FOOT-MOUNTED			
MAXIMUM OUTLET TEMPERATURE	180°F			
SHIPPING WEIGHTS	187		217	

NOTES: **U**=Upflow (CMPE050U3)

AIR FLOW DATA

MODEL NUMBER	BLOWER SPEED	EXTERNAL STATIC									
		0.1	0.2	0.3	0.4	0.5	0.6	0.7	0.8	0.9	1.0
CMPE050U2B <i>(10 X 6 WHEEL, 1/4 HP MOTOR)</i>	LOW	677	665	646	618	582	538	486	425	357	280
	MED	857	848	828	798	757	706	644	572	490	397
	HIGH	1111	1081	1047	1008	966	920	870	815	757	695
CMPE050U3B <i>(10 X 6 WHEEL, 1/3 HP MOTOR)</i>	LOW	614	622	621	610	590	561	522	474	417	350
	MED	966	975	972	956	928	888	835	770	693	603
	HIGH	1324	1330	1317	1286	1236	1167	1080	974	850	707
CMPE075U2B <i>(10 X 6 WHEEL, 1/4 HP MOTOR)</i>	LOW	1111	1087	1048	995	928	846	751	640	516	377
	MED	1180	1164	1132	1083	1018	937	840	726	596	450
	HIGH	1284	1259	1222	1172	1110	1035	948	848	736	611
CMPE075U3B <i>(10 X 6 WHEEL, 1/3 HP MOTOR)</i>	LOW	961	969	964	946	915	871	813	743	659	562
	MED	1458	1405	1345	1278	1205	1125	1038	944	843	735
	HIGH	1571	1544	1502	1446	1376	1291	1192	1078	950	807
CMPE100U3B <i>(10 X 9 WHEEL, 1/3 HP MOTOR)</i>	LOW	1018	1017	1005	980	944	896	836	765	681	586
	MED	1312	1294	1262	1216	1157	1084	998	898	784	657
	HIGH	1600	1571	1526	1463	1383	1286	1172	1040	892	726
CMPE100U4B <i>(12 X 9 WHEEL, 1/2 HP MOTOR)</i>	LOW	1223	1211	1194	1171	1142	1107	1067	1021	970	913
	MED	1513	1493	1466	1433	1393	1347	1295	1236	1170	1098
	HIGH	1825	1801	1767	1724	1672	1610	1539	1459	1369	1270
CMPE125U5B <i>(12 X 12 WHEEL, 3/4 HP MOTOR)</i>	LOW	1410	1394	1368	1332	1287	1232	1167	1092	1007	912
	MED	1853	1799	1742	1680	1614	1544	1470	1391	1309	1222
	HIGH	2427	2331	2232	2131	2028	1922	1814	1703	1590	1474

NOTES: 1) Air flow values in cubic feet per minute (CFM), 2) Data taken without filters or AC evaporator coil in place

MAXIMUM VENT LENGTHS

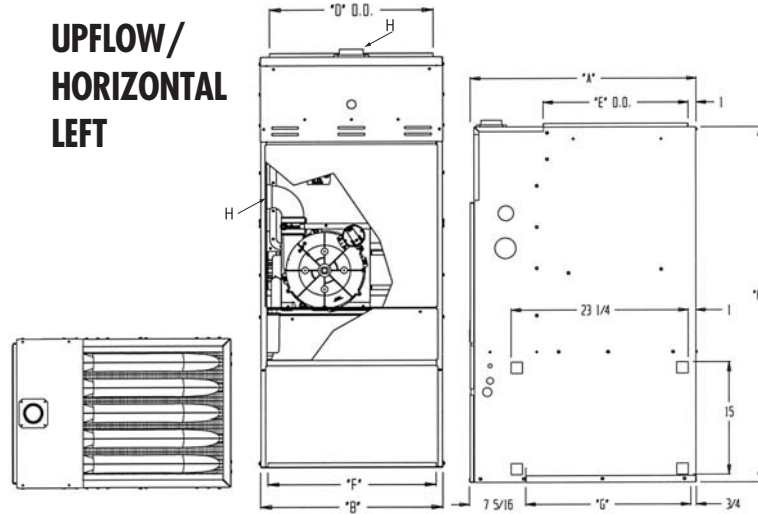
APPLICATION	Allowable Max Vent Lengths of 2" Dia. PVC, ABS or CPVC SCH 40 PIPE					
	Number of elbows	1	2	3	4	5
Non-direct Vent (1 Pipe) System <i>CMPE050U2, CMPE050U3</i> <i>CMPE075U2, CMPE075U3</i>		60	58	55	53	50
Direct Vent (2 Pipe) System <i>CMPE050U2, CMPE050U3</i> <i>CMPE075U2, CMPE075U3</i>		60	58	55	53	50
Non-direct Vent (1 Pipe) System <i>CMPE100U3, CMPE100U4</i>		35	30	24	18	12
Direct Vent (2 Pipe) System <i>CMPE100U3, CMPE100U3</i>		35	30	24	18	12
Non-direct Vent (1 Pipe) System <i>CMPE125U5</i>		20	15	9	4	-----
Direct Vent (2 Pipe) System <i>CMPE125U5</i>		20	15	9	4	-----

APPLICATION	Allowable Max Vent Lengths of 3" Dia. PVC, ABS or CPVC SCH 40 PIPE					
	Number of elbows	1	2	3	4	5
Non-direct Vent (1 Pipe) System <i>CMPE050U2B, CMPE050U3B</i> <i>CMPE075U2B, CMPE075U3B</i>		80	76	73	70	65
Non-direct Vent (1 Pipe) System <i>CMPE100U3B, CMPE100U4B</i> <i>CMPE125U5B</i>		65	61	58	55	50
Direct Vent (2 Pipe) System <i>CMPE100U3B, CMPE100U4B</i> <i>CMPE125U5B, CMPE075U3B</i>		80	76	73	70	65
Direct Vent (2 Pipe) System <i>CMPE100U3, CMPE100U4</i> <i>CMPE125U5</i>		65	61	58	55	50

GENERAL LAYOUT

MODEL NUMBER	UNIT DIMENSIONS			SUPPLY DUCT OPENING		RETURN DUCT OPENING		VENT & AIR CONNECTIONS
	LENGTH	WIDTH	HEIGHT	D	E	F	G	H
CMPE050U2B,3B	29-1/2	13-1/2	47-3/8	11-1/2	18-15/16	12	21-5/8	2
CMPE075U2B,3B	29-1/2	13-1/2	47-3/8	11-1/2	18-15/16	12	21-5/8	2
CMPE100U3B,4B	29-1/2	17	47-3/8	15	18-15/16	15-1/2	21-5/8	2
CMPE125U5B	29-1/2	20-1/2	47-3/8	18-1/2	18-15/16	19	21-5/8	2

* NOTE: dimensions are in inches



ACCESSORIES

	CMPE050U2B	CMPE050U3B	CMPE075U2B	CMPE075U3B
NATURAL TO LP GAS CONVERSION KIT		20490602		
LP TO NATURAL GAS CONVERSION KIT		20272002		
NATURAL TO LP GAS CONVERSION KIT HIGH ALTITUDE (UP TO 10,000 FT.)		20269402		
HIGH ALTITUDE PRESSURE SWITCH KIT	20274505			20274508
FILTER RACK KIT		20069901		
CON. 2" DIA. VENT TERM. KIT (UPFLOW)		20280901		
CON. 3" DIA. VENT TERM. KIT (UPFLOW)		20280902		
	CMPE100U3B	CMPE100U4B	CMPE125U5B	
NATURAL TO LP GAS CONVERSION KIT		20490602		
LP TO NATURAL GAS CONVERSION KIT		20272002		
NATURAL TO LP GAS CONVERSION KIT HIGH ALTITUDE		20269402		
HIGH ALTITUDE PRESSURE SWITCH KIT		20274505		20274506
FILTER RACK KIT		20069901		20069902
CON. 2" DIA. VENT TERM. KIT (UPFLOW)		20280901		
CON. 3" DIA. VENT TERM. KIT (UPFLOW)		20280902		



www.ducanehvac.com

For more information, contact your local Ducoone distributor.

DUE TO OUR POLICY OF CONTINUOUS IMPROVEMENTS, SPECIFICATIONS ARE SUBJECT TO CHANGE WITHOUT NOTICE .