

FEATURES

Heavy-duty 14 gauge steel heat exchanger with a long lasting ceramic fiber combustion chamber

Easy access large diameter clean out ports in heat exchanger

Foil-faced high density fiberglass insulation in cabinet reduces heat loss and sound

Cabinet has pre-painted steel for maximum durability

Slide-out blower design for easy cleaning and service

Multi-speed direct drive blower assembly allows the airflow to be matched to the application requirements

Dynamically balanced blower with resilient motor mounts for smooth and quiet operation

Includes barometric damper

High efficiency air flow system to provide consistent operation through all operating conditions

Honeywell 7184B primary control with 15 second pre purge, interrupted ignition, limited reset, and LED diagnostics

PSC burner motor with low amp draw and ball bearings for long life

40 VA transformer (Direct drive only)

Limited life-time warranty on heat exchanger and five year limited warranty on all parts

Ducane Oil Furnace

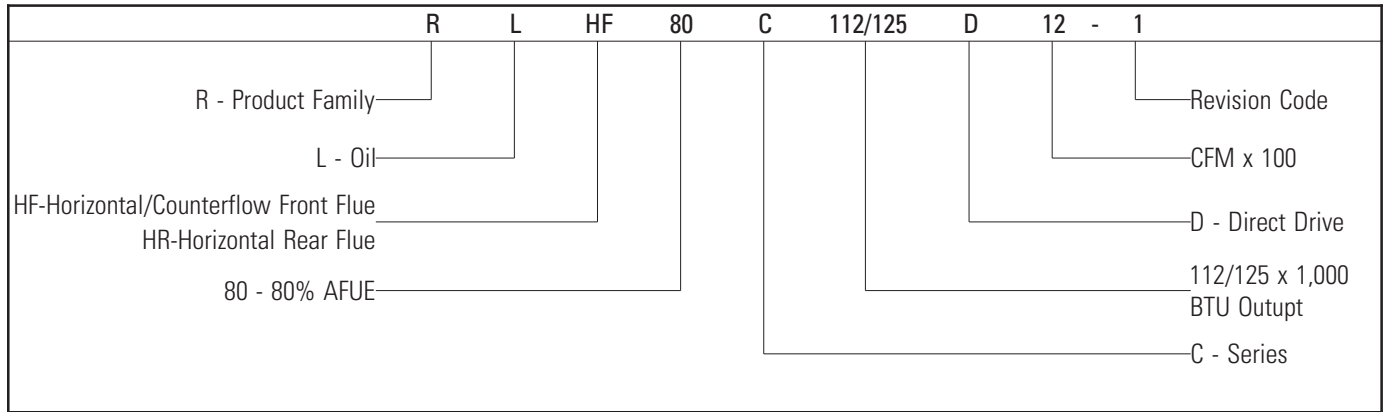
RLHF-R80C



Ducane[®]
AIR CONDITIONING
AND HEATING



Model Number Guide



Physical and Electrical

Model	Nozzle Size	Input (Btuh)	Output (Btuh)	AFUE (ICS)	Nom. Cooling Cap.	Flue Dia. (in.)	Volts/Hz/Phase	Max. Time Delay Breaker or Fuse (amp)	Trans. (V.A.)	Weight (lb.)
RLHF80C84/95D12	.65GPH-80°B	105,000	85,000	81.0	2.0-3.0	6	120/60/1	15	40	225
	.75GPH-80°B	119,000	97,000							
RLHF80C112/125D20	.85GPH-80 B	140,000	113,000	81.0	2.0-5.0	6	120/60/1	15	40	265
	1.00GPH-80 B	154,000	125,000							
RLHR80C57/72D12	.50GPH-80 A	70,000	57,000	83.0	2.0-3.0	6	120/60/1	15	40	225
	.65GPH-80°B	90,000	74,000							
RLHR80C84/95D12	.65GPH-80 B	105,000	85,000	81.0	2.0-3.0	6	120/60/1	15	40	225
	.75GPH-80 B	119,000	97,000							
RLHR80C112/125D20	.85GPH-80 B	140,000	113,000	81.0	2.0-5.0	6	120/60/1	15	40	265
	1.00GPH-80 B	154,000	125,000							
RLHR80C196D24*	1.25GPH-80°B	210,000	168,000	80.0	3.0-6.0	8	120/60/1	20	40	375
	1.50GPH-80°B	245,000	196,000							

*Approved for horizontal applications only.

Blower Performance

Model	Motor Size (hp)	Blower Size	Temp. Rise °F	Blower Speed	CFM @ ext. static pressure - in w.c.							
					.20	.30	.40	.50	.60	.70	.80	.90
RLHF80C84/95D12	1/2	10 x 8	45-75	High	1,410	1,320	1,280	1,195	1,090	1,000	850	790
				Med High	1,340	1,282	1,190	1,100	1,016	900	801	680
				Med	1,236	1,175	1,092	1,015	918	845	732	600
				Low	1,090	1,037	975	900	855	771	665	547
RLHF80C112/125D20	3/4	12 x 9	45-75	High	2,072	1,995	1,950	1,900	1,850	1,700	1,650	1,500
				Med High	1,794	1,750	1,690	1,630	1,585	1,495	1,380	1,299
				Med	1,515	1,482	1,430	1,388	1,320	1,257	1,160	1,066
				Low	1,355*	1,326*	1,290*	1,233*	1,176*	1,109*	1,045*	1,000*
RLHR80C57/72D12	1/3	10 x 8	45-75	High	1,406	1,341	1,274	1,203	1,126	1,011	915	784
				Med High	1,256	1,206	1,156	1,090	1,012	922	816	684
				Med	1,010	981	948	906	842	774	687	541
				Low	837	818	798	761	716	650	561	406
RLHR80C84/95D12	1/2	10 x 10	45-75	High	1,487	1,398	1,303	1,210	1,104	997	871	740
				Med High	1,380	1,303	1,220	1,150	1,033	931	798	672
				Med	1,230	1,170	1,108	1,000	935	847	734	597
				Low	1,057	1,022	970	909	835	754	640	503
RLHR80C112/125D20	3/4	12 x 9	45-75	High	2,218	2,141	2,082	2,000	1,907	1,797	1,711	1,590
				Med High	1,782	1,750	1,706	1,649	1,579	1,489	1,408	1,324
				Med	1,552	1,504	1,480	1,440	1,380	1,320	1,251	1,174
				Low	1,353*	1,335*	1,300*	1,277*	1,223*	1,170*	1,074*	1,004*
RLHR80C196D24	3/4	12 x 12	60-90	High	2,560	2,500	2,450	2,390	2,230	2,100	1,940	1,800
				Med High	2,100	2,030	1,980	1,960	1,870	1,820	1,750	1,635
				Med	1,580*	1,520*	1,480*	1,433*	1,378*	1,277*	1,175*	1,050*
				Low	1,369*	1,336*	1,293*	1,231*	1,161*	1,100*	979*	850*

*Not recommended for heating. Temperature rise may be outside acceptable range.

Accessories

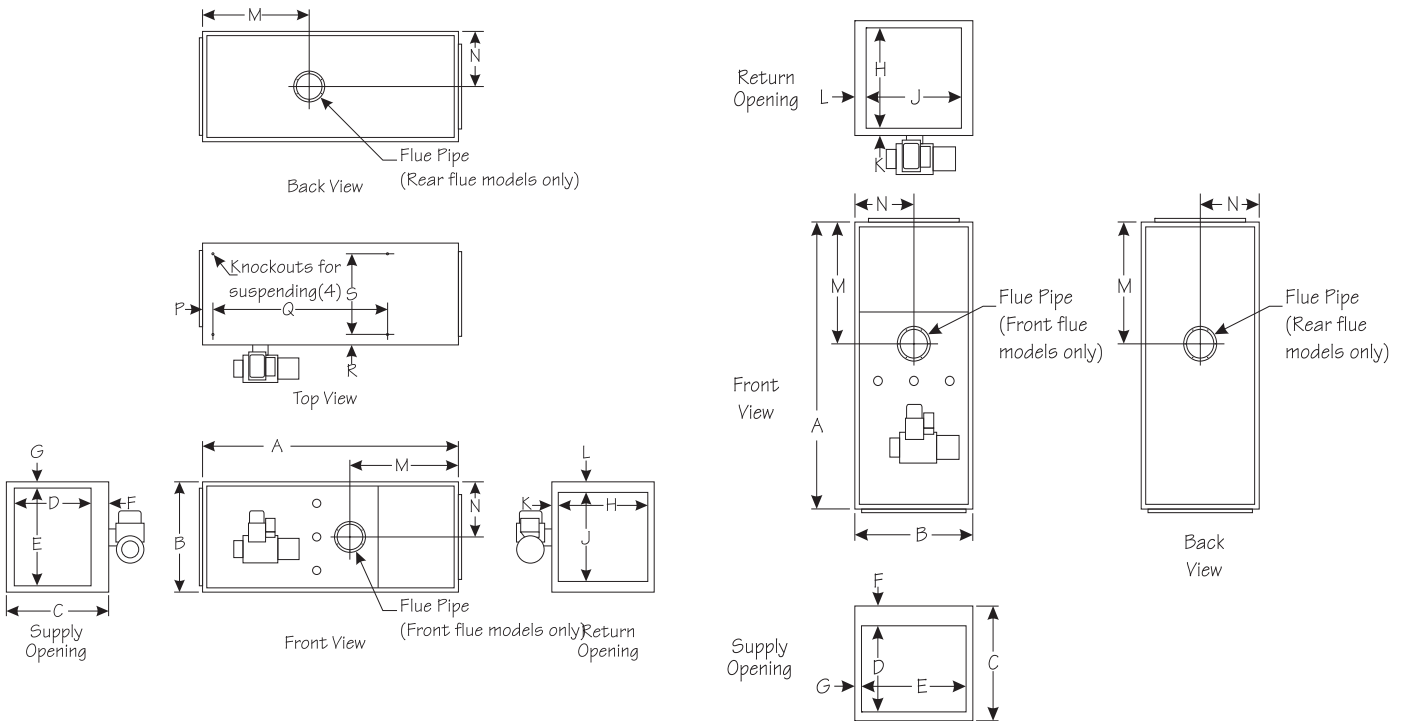
Description	Used with	Kit Number
Combustible Floor Base	RLHF/R84/95	ABASE537-1
Combustible Floor Base	RLHF/R112/125	ABASE538-1
Clean Brush Out Kit	All models	ABRSH380-3
Vestibule Kit	RLHF84/95	AVEST547-2
Vestibule Kit	RLHF112/125	AVEST548-2
Filter Kit	RLHF84/95	AFILT535-1
Filter Kit	RLHF112/125	AFILT536-1
Filter Kit	RLHR196	AFILT 561-1
Combustion Air Kit	All models	ABOOT571
Clean Out Cap Kit	All models	ACAP570
Tjernlund Side Wall Vent Kit ¹	All models	ASVNT522
Field Controls Side Wall Vent Kit ²	All models	ASVNT523

¹ This can be ordered from Tjernlund, part number SSIC.

² This can be ordered from Field Controls, part number SWG-5-CK61.

Dimensions (in.)

Model	A	B	C	D	E	F	G	H	J	K	L	M	N	P	Q	R	S
RLHF80C84/95D12	59	20 1/2	20 1/2	18 1/4	18 1/4	1 1/4	1 1/4	18	18	1 1/4	1 1/4	32 1/2	10 1/4	3	53	3	14 1/2
RLHF80C112/125D20	59	23 1/2	23 1/2	21 1/4	21 1/4	1 1/4	1 1/4	21	21	1 1/4	1 1/4	32 1/2	11 3/7	3	53	4 3/4	14 1/2
RLHR80C57/72D12	59	20 1/2	20 1/2	18 1/4	18 1/4	1 1/4	1 1/4	18	18	1 1/4	1 1/4	32 1/2	10 1/4	3	53	3	14 1/2
RLHR80C84/95D12																	
RLHR80C112/125D20	59	23 1/2	23 1/2	21 1/4	21 1/4	1 1/4	1 1/4	21	21	1 1/4	1 1/4	32 1/2	11 3/7	3	53	4 3/4	14 1/2
RLHR80C196D24	67	26 1/4	26 1/4	23 1/2	23 1/2	1 3/8	1 3/8	24	24	1 1/8	1 1/8	36 5/16	13 1/8	15	50	20	3 1/8



Clearances (in.)

Horizontal

Model	Front	Above	Rear	Flue	Bottom
RLHF80C84/95D12	24	1	1	7	1
RLHF80C112/125D20					
RLHR80C57/72D12	24	1	1	7	1
RLHR80C84/95D12					
RLHR80C112/125D20					
RLHR80C196D24					

Counterflow

Model	Front	Above	Rear	Flue
RLHF80C84/95D12	16	0	1	7
RLHF80C112/125D20				
RLHR80C57/72D12	24	1	1	7
RLHR80C84/95D12				
RLHR80C112/125D20				

All specifications and illustrations subject to change without notice and without incurring obligations..

www.ducanehvac.com
For more information, contact your local Ducane distributor.

