

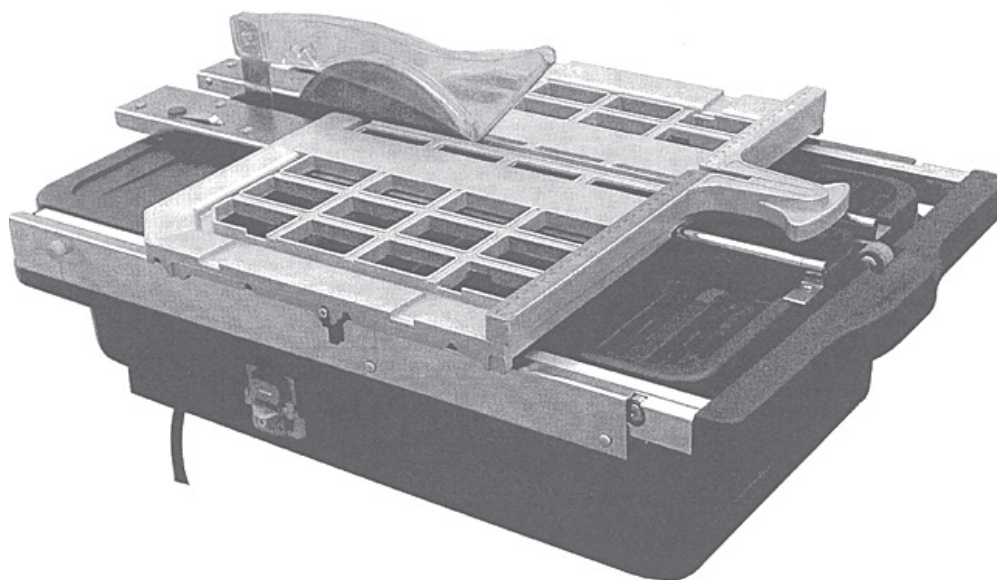
CENTRAL MACHINERY

®

8 in. Wet Tile Saw

Model 94443

ASSEMBLY AND OPERATING INSTRUCTIONS



Due to continuing improvements, actual product may differ slightly from the product described herein.



3491 Mission Oaks Blvd., Camarillo, CA 93011

Visit our Web site at <http://www.harborfreight.com>

**TO PREVENT SERIOUS INJURY,
READ AND UNDERSTAND ALL WARNINGS
AND INSTRUCTIONS BEFORE USE.**

Copyright© 2006 by Harbor Freight Tools®. All rights reserved. No portion of this manual or any artwork contained herein may be reproduced in any shape or form without the express written consent of Harbor Freight Tools.

For technical questions and replacement parts, please call 1-800-444-3353.

Specifications

Construction	Water bath type with sliding table and adjustable guides	Blade Size Spindle Arbor Size	8" Dia. 10 mm x 1.5, 5/8" bushing
Power Specifications	1 horsepower, 120 VAC, 8 Amps, 60 Hz	Motor Speed	4200 RPM
Cutting Capacity	Rip cut: 25-1/2" Diagonal cut: 18" Depth of cut: 1-1/2"	Slide Table Travel Fence Scale Adjustable Miter Gauge	23-1/2" 0 - 10" left, 0- 7" right 0° - 45° - 0°
Water Capacity	2-3/4" depth with overflow protector	Bevel Cut Method	45° bevel cutting block
Dimensions	26"L x 17-1/2"W x 11-1/2"H	Net Weight	36 Lbs.


Save This Manual

You will need the manual for the safety warnings and precautions, assembly instructions, operating and maintenance procedures, parts list and diagram. Keep your invoice with this manual. Write the invoice number on the inside of the front cover. Keep the manual and invoice in a safe and dry place for future reference.

Safety Warnings and Precautions

WARNING: When using tool, basic safety precautions should always be followed to reduce the risk of personal injury and damage to equipment.

Read all instructions before using this tool!

1. **Keep your work area clean and well lit.** Cluttered benches and dark areas invite accidents.
2. **Do not operate power tools in explosive atmospheres, such as in the presence of flammable liquids, gases, or dust.** Power tools create sparks which may ignite the dust or fumes.
3. **Keep bystanders, children, and visitors away while operating a power tool.** Distractions can cause you to lose control. Protect others in the work area from debris such as chips and water. Provide barriers or shields as needed.
4. **Grounded tools must be plugged into an outlet properly installed and grounded in accordance with all codes and ordinances. Never remove the grounding prong or modify the plug in any way. Do not use any adapter plugs. Check with a qualified electrician if you are in doubt whether the outlet is properly grounded.** If the tool should electrically malfunction or break down, grounding provides a low resistance path to carry electricity away from the user.
5. **Double insulated tools are equipped with a polarized plug (one blade is wider than the other). This plug will fit in a polarized outlet only one way. If the plug does not fit fully in the outlet, reverse the plug. If it still does not fit, contact a qualified electrician to install a polarized outlet. Do not change the plug in any way.** Double insulation eliminates the need for the three wire grounded power cord and grounded power supply system.
6. **Avoid body contact with grounded surfaces such as pipes, radiators, ranges, and refrigerators.** There is an increased risk of electric shock if your body is grounded.
7.  **Do not expose power tools to rain or wet conditions.** Do not allow water from the Water Tank (31) to enter the Motor (22). Never move the tool with water inside the tank. Ensure that the Overflow Plug (53) remains unclogged at all times. Water entering a power tool will increase the risk of electric shock and may damage the tool.

8. **Do not abuse the Power Cord. Never use the Power Cord to carry the tool or pull the Plug from an outlet. Keep the Power Cord away from heat, oil, sharp edges, or moving parts. Replace damaged Power Cords immediately.** Damaged Power Cords increase the risk of electric shock.
9. **When operating a power tool outside, use an outdoor extension cord marked “W-A” or “W”.** These extension cords are rated for outdoor use, and reduce the risk of electric shock.

Personal Safety

10. **Stay alert. Watch what you are doing, and use common sense when operating a power tool. Do not use a power tool while tired or under the influence of drugs, alcohol, or medication.** A moment of inattention while operating power tools may result in serious personal injury.
11. **Dress properly. Do not wear loose clothing or jewelry. Contain long hair. Keep your hair, clothing, and gloves away from moving parts.** Loose clothes, jewelry, or long hair can be caught in moving parts.
12. **Avoid accidental starting. Be sure the Power Switch is off before plugging in.** Plugging in power tools with the Power Switch on invites accidents.
13. **Remove adjusting keys or wrenches before turning the power tool on.** A wrench or a key that is left attached to a rotating part of the power tool may result in personal injury.
14. **Do not overreach. Keep proper footing and balance at all times.** Proper footing and balance enables better control of the power tool in unexpected situations.
15. **Use safety equipment. Always wear eye protection and full face shield when using this saw.** Dust mask, nonskid safety shoes, hard hat, or hearing protection must be used for appropriate conditions.


Tool Use and Care

16. **Be sure the wet saw is used only on a stable platform.**
17. **Do not force the tool. Use the correct tool for your application.** The correct tool will do the job better and safer at the rate for which it is designed.
18. **Do not use the power tool if the Power Switch does not turn it on or off.** Any tool that cannot be controlled with the Power Switch is dangerous and must be replaced.
19. **Disconnect the Power Cord Plug from the power source before making any adjustments, changing accessories, or storing the tool.** Such preventive safety measures reduce the risk of starting the tool accidentally.
20. **Store idle tools out of reach of children and other untrained persons.** Tools are dangerous in the hands of untrained users.
21. **Maintain tools with care, keeping them adjusted and clean.** Properly maintained tools are less likely to bind and are easier to control. Do not use a damaged tool. Tag damaged tools “Do not use” until repaired.
22. **Check for misalignment or binding of moving parts, breakage of parts, and any other condition that may affect the tool’s operation. If damaged, have the tool serviced before using.** Many accidents are caused by poorly maintained tools.
23. **Use only accessories that are recommended by the manufacturer for your model.** Accessories that may be suitable for one tool may become hazardous when used on another tool.

Service

24. **Tool service must be performed only by qualified repair personnel.** Service or maintenance performed by unqualified personnel could result in a risk of injury.
25. **When servicing a tool, use only identical replacement parts. Follow instructions in the “Inspection, Maintenance, And Cleaning” section of this manual.** Use of unauthorized parts or failure to follow maintenance instructions may create a risk of electric shock or injury.

Specific Safety Rules

1. **Ensure that the directional arrow on the blade is mounted the same direction as the rotational direction of the motor.**
2. **Always wear ANSI-approved safety impact eye goggles when using the tool.** Using personal safety devices reduce the risk for injury. Safety impact eye goggles and other safety equipment are available from Harbor Freight Tools.
3. **Periodically check to be sure the Locking Arbor Nut (38) is tight, and the Blade is securely fastened to the Arbor Shaft.**
4.  **Never try to cut freehand. Only cut tile that is securely held against the fence of the Sliding Table or the Miter Gauge. Never try to cut pieces that are too small to be held securely or that do not allow you to keep your hands safely away from the blade.**
5. **When starting this power tool, always ensure that it remains in place on a stable work platform.**
6. **Only use a GFCI-protected power source.**
7. **Never cut more than one tile at a time.**
8. **Allow the motor to come to full speed before cutting. If the blade vibrates or makes an unusual sound, turn off the tool, unplug it, and investigate to find the source of the problem.**
9. **Let the blade come to a full stop before attempting to remove any jammed material.**
10. **Never walk away from the tool until the motor has come to a complete stop.** The tool may create unforeseen risk while the motor cycles down. **Never leave the tool unattended when it is plugged into an electrical outlet.** Turn off the tool, and unplug it from its electrical outlet before leaving.
11. **Never allow the blade to run dry. Cutting with a dry blade will cause excessive wear and possible damage to the blade and motor.**
12. **WARNING!** Some dust created by power sanding, sawing, grinding, drilling, and other construction activities, contain chemicals known (to the State of California) to cause cancer, birth defects or other reproductive harm. Some examples of these chemicals are: lead from lead-based paints, crystalline silica from bricks and cement or other masonry products, arsenic and chromium from chemically treated lumber. Your risk from these exposures varies, depending on how often you do this type of work. To reduce your exposure to these chemicals: work in a well ventilated area, and work with approved safety equipment, such as those dust masks that are specially designed to filter out microscopic particles. (California Health & Safety Code § 25249.5, *et seq.*)
13. **WARNING!** People with pacemakers should consult their physician(s) before using this product. Electromagnetic fields in close proximity to a heart pacemaker could cause interference to or failure of the pacemaker.
14. **Use only 8” wet type blades specifically designed for tile cutting.** Do not use any blade rated for less than 4500 RPM.

GROUNDING

⚠ WARNING! Improperly connecting the grounding wire can result in the risk of electric shock. Check with a qualified electrician if you are in doubt as to whether the outlet is properly grounded. Do not modify the power cord plug provided with the tool. Never remove the grounding prong from the plug. Do not use the tool if the power cord or plug is damaged. If damaged, have it repaired by a service facility before use. If the plug will not fit the outlet, have a proper outlet installed by a qualified electrician.

GROUNDED TOOLS: TOOLS WITH THREE PRONG PLUGS

1. Tools marked with "Grounding Required" have a three wire cord and three prong grounding plug. The plug must be connected to a properly grounded outlet. If the tool should electrically malfunction or break down, grounding provides a low resistance path to carry electricity away from the user, reducing the risk of electric shock. **(See Figure A.)**
2. The grounding prong in the plug is connected through the green wire inside the cord to the grounding system in the tool. The green wire in the cord must be the only wire connected to the tool's grounding system and must never be attached to an electrically "live" terminal. **(See Figure A.)**
3. Your tool must be plugged into an appropriate outlet, properly installed and grounded in accordance with all codes and ordinances. The plug and outlet should look like those in the following illustration. **(See Figure A.)**

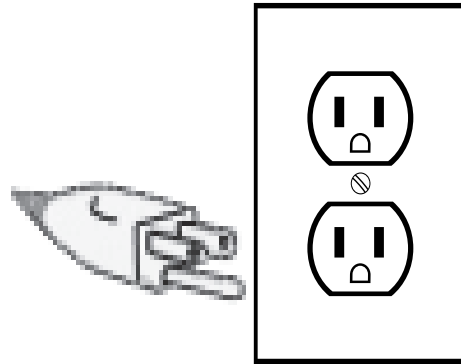


Figure A

DOUBLE INSULATED TOOLS: TOOLS WITH TWO PRONG PLUGS

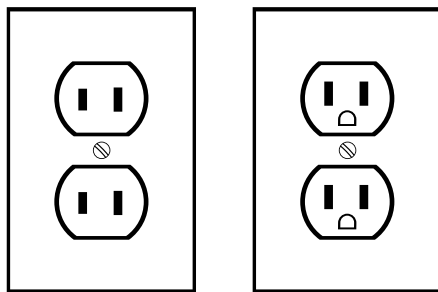


Figure B

4. Tools marked "Double Insulated" do not require grounding. They have a special double insulation system which satisfies OSHA requirements and complies with the applicable standards of Underwriters Laboratories, Inc., the Canadian Standard Association, and the National Electrical Code. **(See Figure B.)**
5. Double insulated tools may be used in either of the 120 volt outlets shown in the following illustration. **(See Figure B.)**

NOTE: The 93334 Wet Saw uses a grounded three-prong plug.

Unpacking

When unpacking, check to make sure the following parts are included.

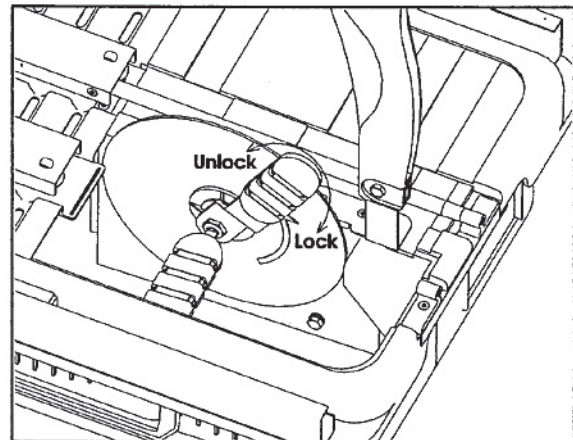
*8" wet tile saw with electric motor and tub
Sliding table with adjustable miter guide.
45° bevel block. Arbor wrench and screwdriver
Diamond blade. Blade guard. Owner's Manual.*

If any parts are missing or broken, please call Harbor Freight Tools at the number on the cover of this manual.

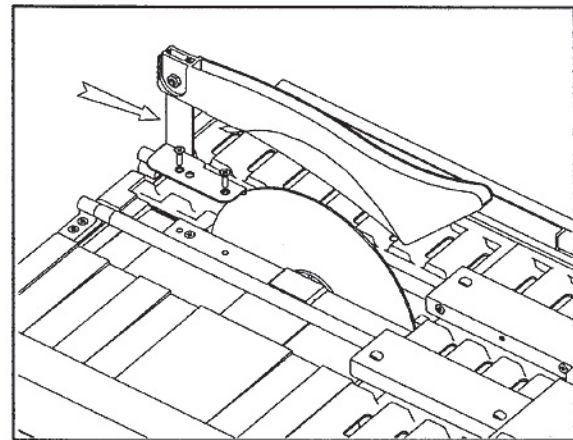
Assembly

Before using your 8" Wet Tile Saw for the first time, you must install the Blade and Blade Guard, and fill the Water Tank with water.

- 1) Be sure that the machine is unplugged and that the Power Switch (14) is turned to the OFF position.
- 2) Open the Access Cover (41) to expose the Arbor Shaft (11). Remove the Locking Arbor Nut (38) and Outer Flange (39).
- 3) With the Inner Flange (36) in place, slide the Blade (37) onto the Arbor Shaft (11) with the rotation arrow on the Blade pointing in the same direction as the rotation of the motor. Place the Outer Flange (39) on the shaft against the outer surface of the Blade. Screw the Locking Arbor Nut (38) onto the Arbor Shaft. Use the provided accessory Screwdriver to hold back the Arbor Shaft, while tightening the Locking Arbor Nut with the provided accessory Wrench. Turn the Wrench clockwise to tighten.
- 4) Position the Blade Guard (46) as shown in the picture. Fix in place using Screws (44). Be sure the Blade Guard is in place covering the blade but does not contact the Blade.
- 5) With the power cord unplugged and the Power Switch (14) turned OFF, fill the water container to just below the opening on the Overfill Plug (53). Pour the water into the Water Tank (31) through the opening under the Access Cover (41). Do not allow water to splash on the Motor (22).



Tightening the Locking Arbor Nut



Installing the Blade Guard (46)

Operation

Preliminary Safety Check

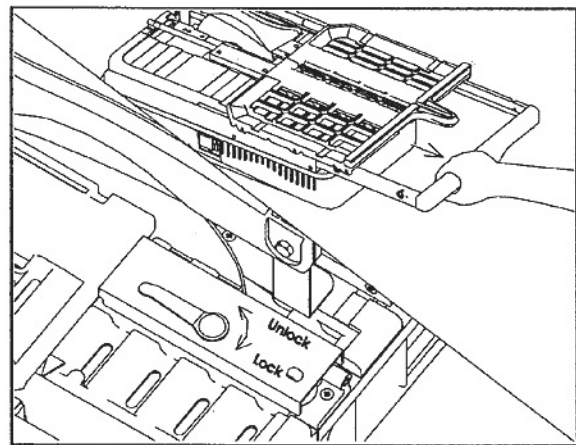
Before starting the saw, with the power cord unplugged, and the Power Switch turned to the OFF (“O”) position, check to ensure:

- a) The safety shield is in place and properly adjusted.
- b) The cutting wheel can be revolved freely by hand.
- c) The Sliding Table is in place.
- d) The tub has enough water to keep the blade wet.
- e) The Access Cover is in place.
- f) The wet saw is positioned on a solid, level surface which is sturdy enough to safely support the tool and your work materials.

Using the Sliding Table

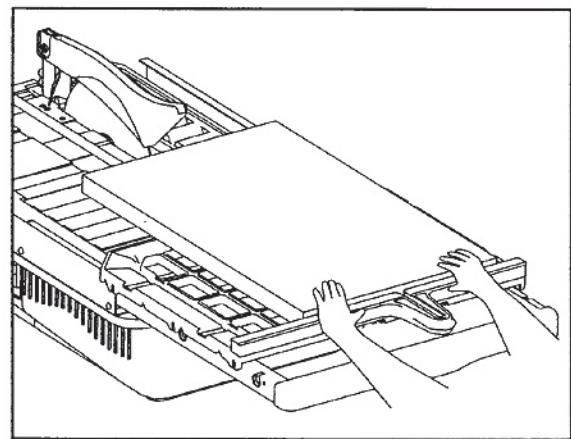
The Sliding Table is an advanced feature of this product which aids in making safe and accurate cuts.

- 1) Grasp the handle of the Support Bar (50) and pull it straight out as far as needed to support the size tile you plan to cut.
- 2) If necessary, remove the Support Rod (52) from its storage location under the Access Cover (42), and place it under the Support Bar (50).
- 3) Unlock the Sliding Table (1) by moving the Table Locking Switch (54) to the “Unlock” position as shown in the photo.
- 4) The Sliding Table may now be moved forward and back along the top of the tool.



Basic Cutting Operation

- 1) Pull the Sliding Table (1) back far enough from the Blade (37) to place the tile on the table.
- 2) After making sure that it is safe to turn the power on, turn the Power Switch (14) to the ON position. Allow the Blade to come up to full speed. Check to be sure that the Blade is wet.
- 3) Using both hands, hold the tile securely against the fence at the back edge of the Sliding Table.
WARNING: Do not allow your hands or fingers to protrude over the notch at the back edge of the Sliding Table. The Blade will enter this space during the cutting operation.
- 4) Slowly push the Sliding Table and tile forward into the Blade (37). Feed the workpiece smoothly into the Cutting Blade (37). Do not apply heavy pressure or bump the workpiece against the Cutting Blade. Try to allow the Cutting Blade to continue to turn at full speed as you work.

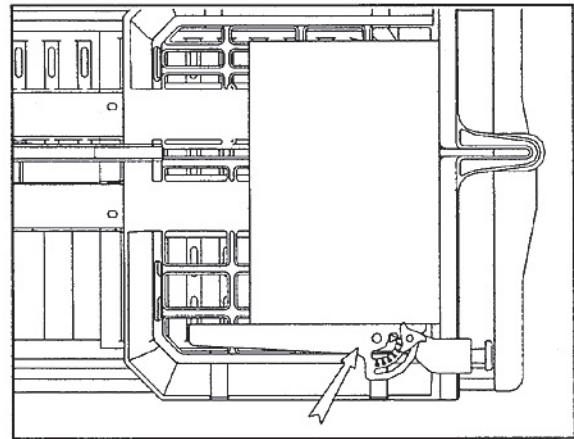


- 5) Be sure that the Blade remains wet during the cutting operation. If the Motor (22) slows down appreciably, slow down your feed rate or pull the tile smoothly back from the Blade. If the Blade runs dry, pull the tile smoothly back from the blade until the blade picks up water from the tank.
- 6) Do not use this saw over 30 minutes each hour, or longer than 20 minutes continuously. This will help prevent overheating of the saw, and extend saw life.
- 7) When done cutting, move the Power Switch (6) to the OFF position. Allow the Cutting Blade to come to a stop on its own. Do not manually stop the Cutting Blade by grabbing it or holding an object against it. Stopping the Cutting Blade causes stress and possible damage to the gears and belts.

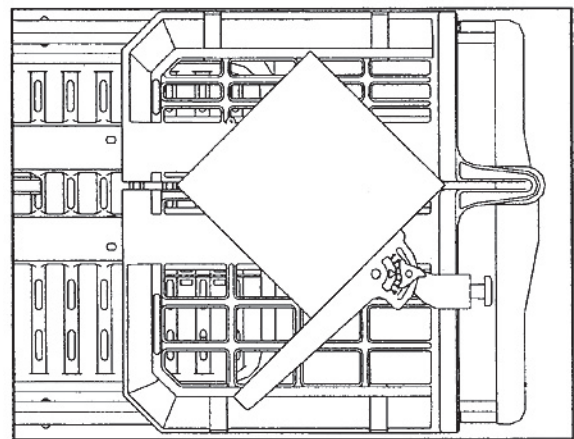
Using the Miter Gauge Attachment

The Miter Gauge Attachment can be used to easily cut several pieces of the same size or to cut pieces at an angle.

- 1) Attach the accessory Miter Gauge to the Sliding Table on the left side. Place it onto the fence at the back edge of the table and secure it in place using the screw knob.
- 2) To cut several pieces of the same size, loosen the Miter Gauge and slide it along the fence until it is at the desired distance from the slot in the middle of the table. Tighten the Miter Gauge in place. Position the tile against the fence and against the miter gauge when cutting. Additional tiles cut in the same way will have the same dimension.
- 3) To cut pieces at an angle, adjust the Miter Gauge so it is the desired distance from the slot at the middle of the tile. Loosen the knob at the top of the miter gauge and move to the desired angle. Read the angle setting on the indicator on top of the gauge. Tighten the angle adjustment knob. Place the tile against the miter gauge and cut.



The Miter Gauge

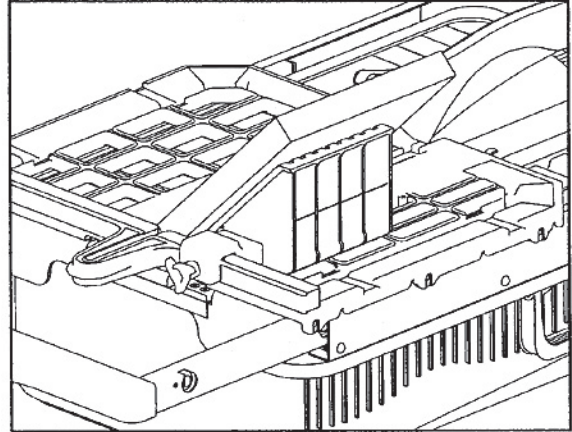


The Miter Gauge set at an angle

Using the Bevel Cutting Attachment

The Bevel Cutting Attachment can be used to cut tiles on a 45° bevel.

- 1) To cut a 45° beveled edge on a tile, attach the Bevel accessory to the right side of the fence.
- 2) Place a tile on the bevel accessory, and adjust the position of the accessory so that the edge of the tile will be cut in the desired position. Tighten the locking knob of the bevel accessory.
- 3) Holding the tile firmly against the fence and the bevel accessory, pass the tile under the Blade to cut.



The Bevel Cutting Attachment

Maintenance

Draining the Water and Cleaning the Saw.

- 1) Unplug the tool. Move it to a location where it will be safe to drain the Water Tank (31), or position a container under the Overflow Plug (53).
- 2) Open the access port on the cover right above the Overflow Plug. Pull the Overflow Plug (53) out of the bottom of the Water Tank (31).
- 3) Open the Access Cover (41) and pour in approximately 2 quarts of clean water. Swish the clean water throughout the Water Tank to clean it. Use a plastic scraper to dislodge any material deposited on the bottom or sides of the tank. Allow the dirty water to run out of the opening left by removal of the Overflow Plug. Repeat cleaning as necessary.
- 4) Using a clean damp rag, wipe off the top and sides of the tool. Clean out the Overfill Plug.
- 5) Replace the Overflow Plug in the bottom of the Water Tank. If the Support Rod (52) has been used, replace it in its storage position under the Access Cover (41). Close all access covers on top of the tool. Return the Sliding Table to its forward position, and move the Locking Switch (54) to the "Lock" position. Return the Support Bar (50) to its forward position.
- 6) Wind up the Power Cord (10) and store the Saw in a safe place.

Troubleshooting

1) Does not make a straight cut:

- a) Check blade to be sure it is on tight.
- b) Be sure work piece is held firmly and squarely against fence on back edge of Sliding Table.

2) Motor does not work:

- a) Check power source. Be sure Power Cord is plugged in and circuit is live.
- b) Check condition of Power Cord.
- c) Be sure Power Switch is functioning properly.

3) Tool vibrates excessively during operation:

- a) Check to be sure Blade is properly installed and Locking Arbor Nut is tight.
- b) Check to be sure blade is not damaged, chipped or warped.

4) Slow cutting or slow operation speed:

- a) Stop work and allow the motor to cool off for at least 20 minutes.
- b) Install a new blade and try again.

Parts List

Part #	Description	QTY.
1	Table Assembly	1
2	Screw m4	4
3	Hex Nut m4	4
4	Circlip m4	6
5	Roller	6
6	Roller Pin	6
7	Support Frame	2
8	Water Tank Cover	1
9	Wire Connector	1
10	Power Cord	1
11	Arbor Shaft	1
12	Bearing Cover	1
13	Screw m6	2
14	Power Switch	1
15	Screw m4	2
16	Hex Nut m4	2
17	Motor Cover	1
18	Screw m4.2x13	6
19	Motor Cover	1
20	Bearing 628	1
21	Motor Fan	1
22	Motor Assembly	1
23	Capacitor	1
24	Hex Nut m8	1
25	Motor Mounting Bar	1
26	Bearing 6002	1
27	Drive Belt	1

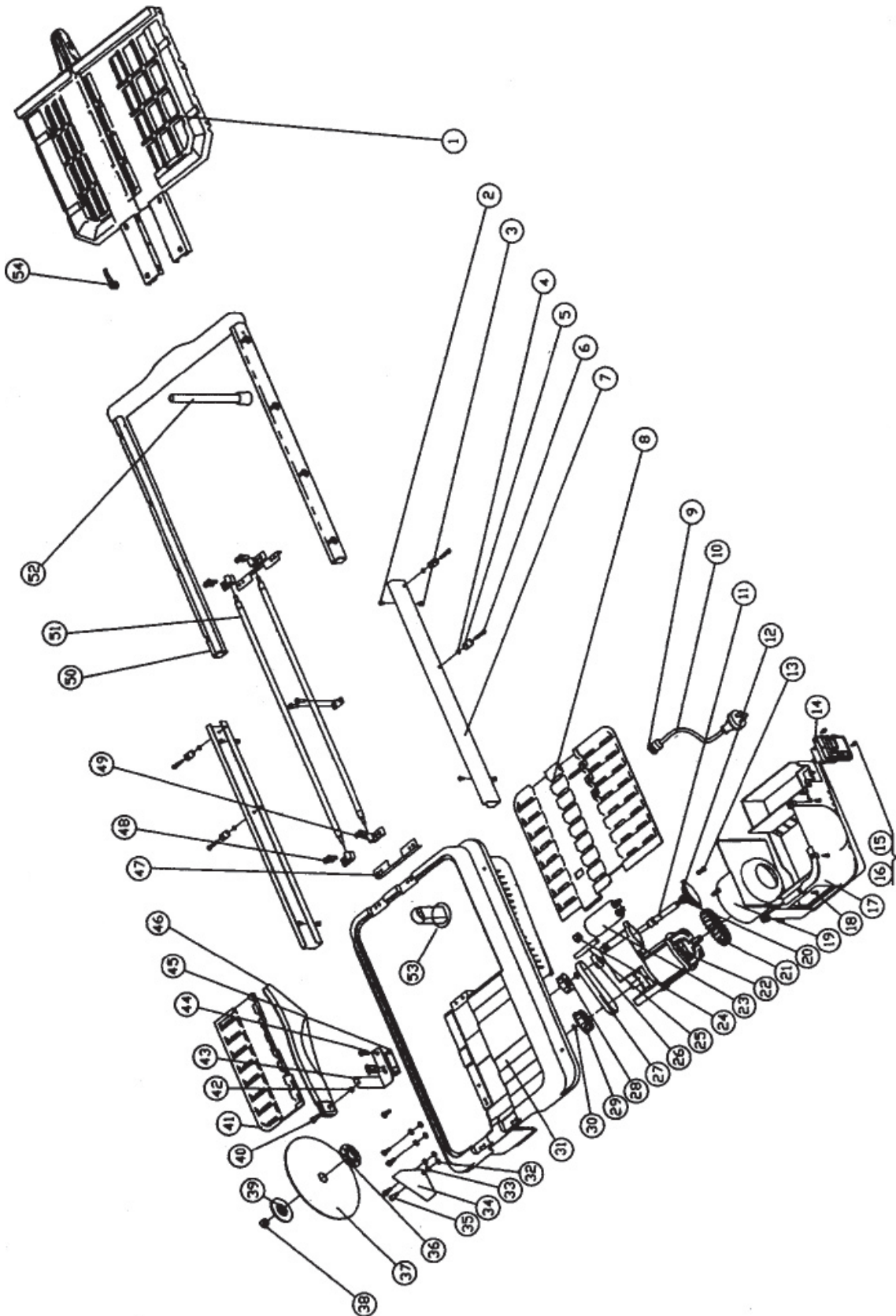
Part #	Description	QTY.
28	Small Pulley	1
29	Large Pulley	1
30	Circlip m12	2
31	Water Tank	1
32	Water Seal 6mm	4
33	Flat Washer 6mm	4
34	Water Shield	1
35	Hex Nut m6	1
36	Inner Flange	1
37	Blade	1
38	Locking Arbor Nut	1
39	Outer Flange	1
40	Hex Screw m6	1
41	Access Cover	1
42	Hex Nut m6	1
43	Blade Guard Bracket	1
44	Screw m4	3
45	Guard Bracket Nut	1
46	Blade Guard	1
47	Guide Positioning Plate	2
48	Flat Head Screw m4	8
49	Guide Base	4
50	Support Bar Assembly	1
51	Guide Assembly	2
52	Supporting Rod	1
53	Overflow Plug	1
54	Table Lock Switch	1

PLEASE READ THE FOLLOWING CAREFULLY

THE MANUFACTURER AND/OR DISTRIBUTOR HAS PROVIDED THE PARTS DIAGRAM IN THIS MANUAL AS A REFERENCE TOOL ONLY. NEITHER THE MANUFACTURER NOR DISTRIBUTOR MAKES ANY REPRESENTATION OR WARRANTY OF ANY KIND TO THE BUYER THAT HE OR SHE IS QUALIFIED TO MAKE ANY REPAIRS TO THE PRODUCT OR THAT HE OR SHE IS QUALIFIED TO REPLACE ANY PARTS OF THE PRODUCT. IN FACT, THE MANUFACTURER AND/OR DISTRIBUTOR EXPRESSLY STATES THAT ALL REPAIRS AND PARTS REPLACEMENTS SHOULD BE UNDERTAKEN BY CERTIFIED AND LICENSED TECHNICIANS AND NOT BY THE BUYER. THE BUYER ASSUMES ALL RISK AND LIABILITY ARISING OUT OF HIS OR HER REPAIRS TO THE ORIGINAL PRODUCT OR REPLACEMENT PARTS THERETO, OR ARISING OUT OF HIS OR HER INSTALLATION OF REPLACEMENT PARTS THERETO.

NOTE: Some parts are listed and shown for illustration purposes only and are not available individually as replacement parts.

Assembly Drawing



Warranty

CENTRAL MACHINERY[®]

LIMITED 90 DAY WARRANTY

Harbor Freight Tools Co. makes every effort to assure that its products meet high quality and durability standards, and warrants to the original purchaser that this product is free from defects in materials and workmanship for the period of ninety days from the date of purchase. This warranty does not apply to damage due directly or indirectly, to misuse, abuse, negligence or accidents, repairs or alterations outside our facilities, or to lack of maintenance. We shall in no event be liable for death, injuries to persons or property, or for incidental, contingent, special or consequential damages arising from the use of our product. Some states do not allow the exclusion or limitation of incidental or consequential damages, so the above limitation of exclusion may not apply to you. THIS WARRANTY IS EXPRESSLY IN LIEU OF ALL OTHER WARRANTIES, EXPRESS OR IMPLIED, INCLUDING THE WARRANTIES OF MERCHANTABILITY AND FITNESS.

To take advantage of this warranty, the product or part must be returned to us with transportation charges prepaid. Proof of purchase date and an explanation of the complaint must accompany the merchandise. If our inspection verifies the defect, we will either repair or replace the product at our election or we may elect to refund the purchase price if we cannot readily and quickly provide you with a replacement. We will return repaired products at our expense, but if we determine there is no defect, or that the defect resulted from causes not within the scope of our warranty, then you must bear the cost of returning the product.

This warranty gives you specific legal rights and you may also have other rights which vary from state to state.

3491 Mission Oaks Blvd. • PO Box 6009 • Camarillo, CA 93011 • (800) 444-3353