



Standard Features & Accessories

All models include

- Commercial-type construction, design, and styling
 - All cabinets are constructed completely of heavy-duty stainless steel
 - Professional-style handle(s) match the look of Viking outdoor appliances
- 30"D.
- Heavy-duty, adjustable legs (same as used on ranges)
- Cabinets must be installed with locally-supplied countertop
- Optional clip-on toe kick included

VBBO1601 model includes

- Accommodates Viking 15"W. outdoor side burner and TruSear griller
- Drawer (one) equipped with full extension slides

VBBO2602 model includes

- Accommodates Viking outdoor 24"W. wok/cooker, refreshment center, 24"W. rangetop, and TruSear griller
- Drawers (two) equipped with full extension slides

VURO2400 model includes

- Accommodates Viking outdoor 15"W. beverage center and ice machine.
- Door may be adjusted to mount left or right hinge
- Fully-concealed hinges

VURO3200 model includes

- Accommodates Viking outdoor 24"W. beverage center, beverage center/icemaker combo, and beverage dispenser
- Door may be adjusted to mount left or right hinge
- Fully-concealed hinges

Model Options



VBBO1601*
Base for Side Burner or 15"W. TruSear™ Griller



VBBO2602**
Base for Wok Top/Cooker, 24"W. Refreshment Center, 24"W. Rangetop, or 24"W. TruSear™ Griller



VURO2400***
Base for 15"W. refrigeration products



VURO3200****
Base for 24"W. refrigeration products

FINISH DETAILS FOR ALL MODELS

- Stainless Steel (SS)

*Shown throughout with VGSB152T (15"W. side burners), sold separately

**Shown throughout with VGWT241T (24"W. wok top), sold separately

***Shown throughout with VUAR150T (15"W. beverage center), sold separately

****Shown throughout with VUAR140T (24"W. beverage center), sold separately

For compatible cooking and refrigeration products see **Installation Notes & Accessories**.





OUTDOOR—STORAGE

Multi-Use & Refrigeration Base



★ Please see Installation Notes and Accessories for important information, including cooking products, side panels, and filler strips.

Dimensions & Specifications

PRODUCT DIMENSIONS



VBBO1601
Base for Side Burner or 15"W. TruSear™ Griller



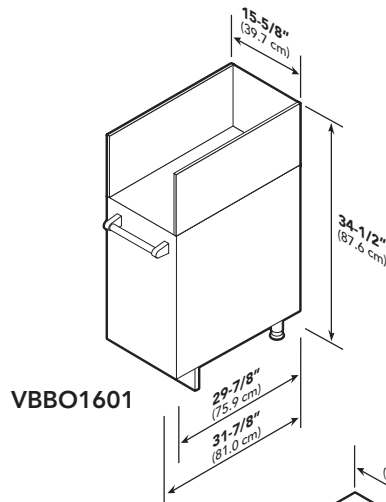
VBBO2602
Base for Wok Top/Cooker, 24"W. Refreshment Center, 24"W. Rangetop, or 24"W. TruSear™ Griller



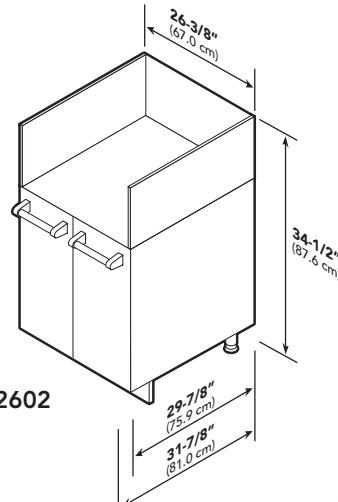
VURO2400
Base for 15"W. refrigeration products



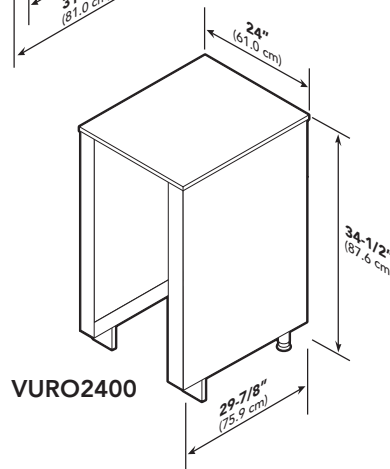
VURO3200
Base for 24"W. refrigeration products



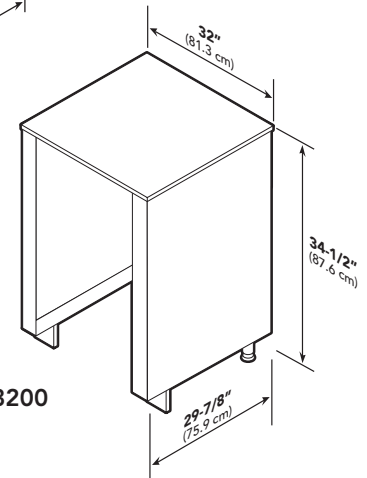
VBBO1601



VBBO2602



VURO2400



VURO3200

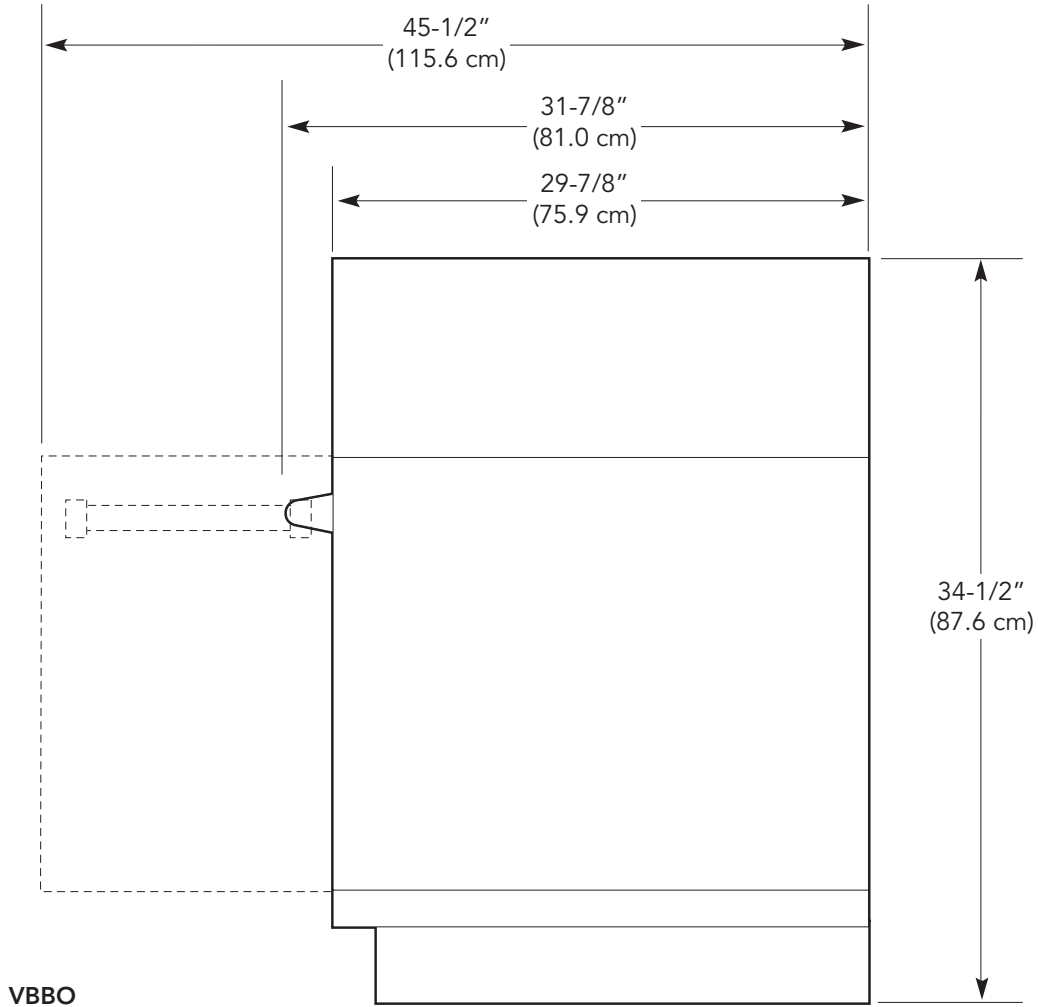
	VBBO1601	VBBO2602	VURO2400	VURO3200
Overall width	15-5/8" (39.7 cm)	26-3/8" (67.0 cm)	24" (61.0 cm)	32" (81.3 cm)
Overall height (from bottom)	34-1/2" (87.6 cm)			
Overall depth (from rear)	29-7/8" (75.9 cm)			
To end of handle brackets	31-7/8" (81.0 cm)	31-7/8" (81.0 cm)	N/A	N/A
Approx. ship wt. lbs. (kg)	104 (47.2)	160 (72.6)	115 (52.2)	125 (56.7)





Dimensions & Specifications

DOOR SWING





✦ Installation Notes & Accessories

Cooking Products

- See individual product pages for more information and additional specifications.

Model	Description	Approx. ship wt. lbs. (kg)
VGSB152T	15"W. side burners (compatible with VBBO1601)	80 (36.3)
VGRT244T	24"W. rangetop (compatible with VBBO2602)	160 (72.0)
VGWT241T	24"W. wok/cooker (compatible with VBBO2602)	80 (36.3)
VGIB151T	15"W. TruSear griller (compatible with VBBO1601)	80 (36.3)
VGIB242T	24"W. TruSear griller (compatible with VBBO2602)	160 (72.0)

Refrigeration Products

- See individual product pages for more information and additional specifications.

Model	Description	Approx. ship wt. lbs. (kg)
VBRC241	24"W. refreshment center (compatible with VBBO2602)	82 (36.9)
VUAR150T	15"W. beverage center (compatible with VURO2400)	110 (49.5)
VUAR140T	24"W. beverage center (compatible with VURO3200)	140 (63.0)
VURI140T	24"W. beverage center/icemaker (compatible with VURO3200)	140 (63.0)
VUIM150T	15"W. ice machine (compatible with VURO2400)	110 (49.5)

Side Panels

- Heavy-duty stainless steel
- Panels finish sides of base cabinets at the end of a run
- Fit flush into recessed sides of cabinets
- Optional clip-on toe-kick included

Model	Description	Approx. ship wt. lbs. (kg)
VSP30	29-7/8"W. x 34-1/2"H. side panel	16 (7.3)

Back Panels

- Heavy-duty stainless steel
- For use in custom island installations
- Individual panels for each cabinet
- 3/4"-thick (adds to cabinet depth)
- Optional clip-on toe-kick included

Model	Description	Approx. ship wt. lbs. (kg)
VBP16	16"W. back panel (for VBBO1601)	10 (3.7)
VBP24	24"W. back panel (for VURO2400)	15 (6.8)
VBP26	26"W. back panel (for VBBO2602)	17 (7.7)
VBP32	32"W. back panel (for VURO3200)	21 (9.5)



✦ Installation Notes & Accessories

Filler Strips, Pieces, & Other Corner Panel Kits

- Strips separate cabinets and create turns
 - Mount sides flush with doors, NOT cabinet face
- Fit flush into recessed sides of cabinets
- Optional clip-on toe-kick included

Model	Description	Approx. ship wt. lbs. (kg)
VCF90	Corner filler piece (each side is 4"W.)—for 90° bends	5 (2.3)
VCF135	Corner filler piece (each side is 4"W.)—for 135° bends	5 (2.3)
VFLR4	General filler strip (4"W.)—for separating appliance-based cabinets	5 (2.3)
VBPFLR4	4"W. back panel (for use w/VFLR4)	5 (2.3)
VOCF90	Outer corner filler panel kit (each side is 4"W.)— for connecting 2 back panels at 90° angle and adding countertop support	40 (18.1)
VOCF135	Outer corner filler panel kit (each side is 4"W.)— for connecting 2 back panels at 135° angle and adding countertop support	40 (18.1)

Compliance Information



WARRANTY SUMMARY*

- One-year full warranty—complete product
- Lifetime limited warranty—rust through all stainless steel components
- Two-year limited warranty—door hinges and drawer slides
- Ninety-day limited warranty—cosmetic parts such as glass, painted, and decorative items

* For complete warranty see *Use & Care Guide*. Warranty valid on Viking products shipped within the United States and Canada.

