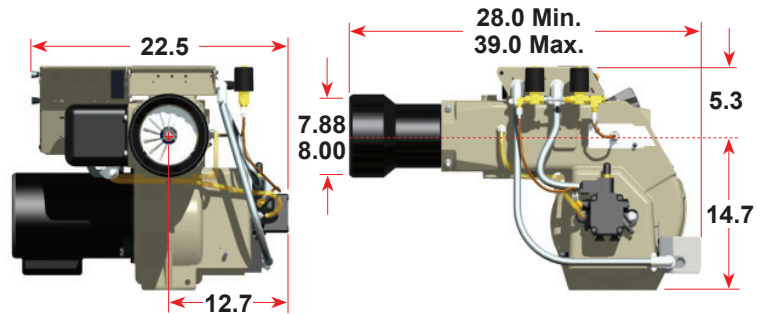


# BECKETT CF3500

COMMERCIAL OIL BURNER



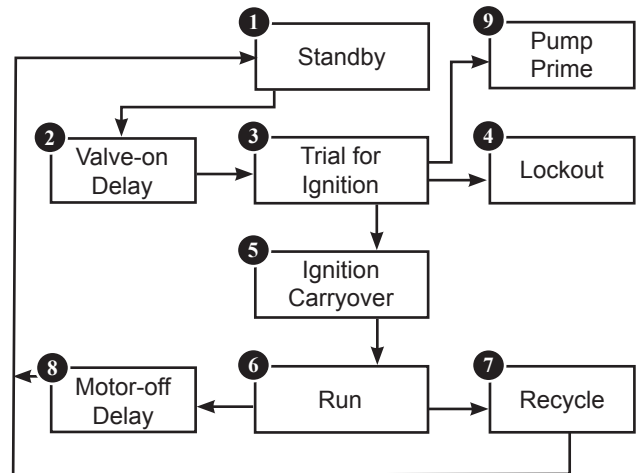
## Overall Dimensions



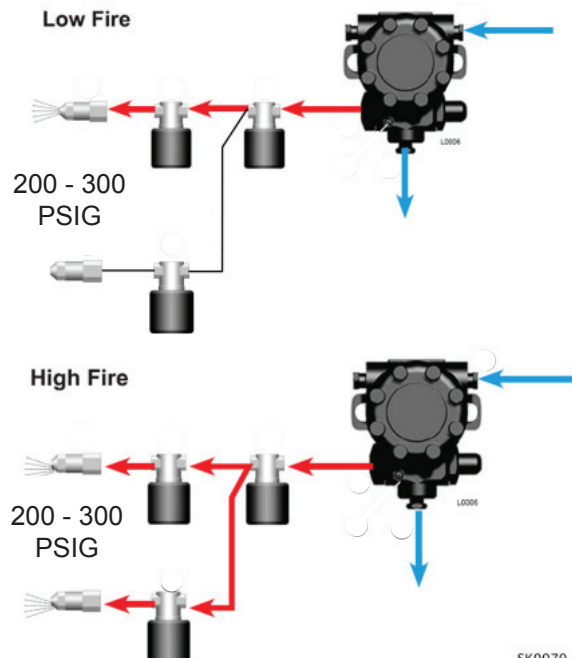
## Specifications

<b>Fuels</b>	U.S. #1 or #2 heating oil only (ASTM D396) Canada #1 stove oil or #2 furnace oil only
	<b>CAUTION</b> DO NOT USE GASOLINE, CRANKCASE OIL, OR ANY OIL CONTAINING GASOLINE.
<b>Firing Range</b>	17.0 to 35.0 gph
<b>Motor</b>	2 HP 3450 rpm 208/230/60 Hz Standard 13.4 amps @ 230 VAC
	<b>Optional Voltages:</b> 208, 230, 480, 575 VAC/3-PH, 50 or 60 Hz
<b>Ignition Trans.</b>	Continuous Duty, 120V/12,000V
<b>Housing</b>	Cast aluminum
<b>Fuel Unit</b>	100 to 300 psig
<b>Oil Nozzle</b>	45° to 70° Solid

## Typical Burner Sequence of Operation - 7505



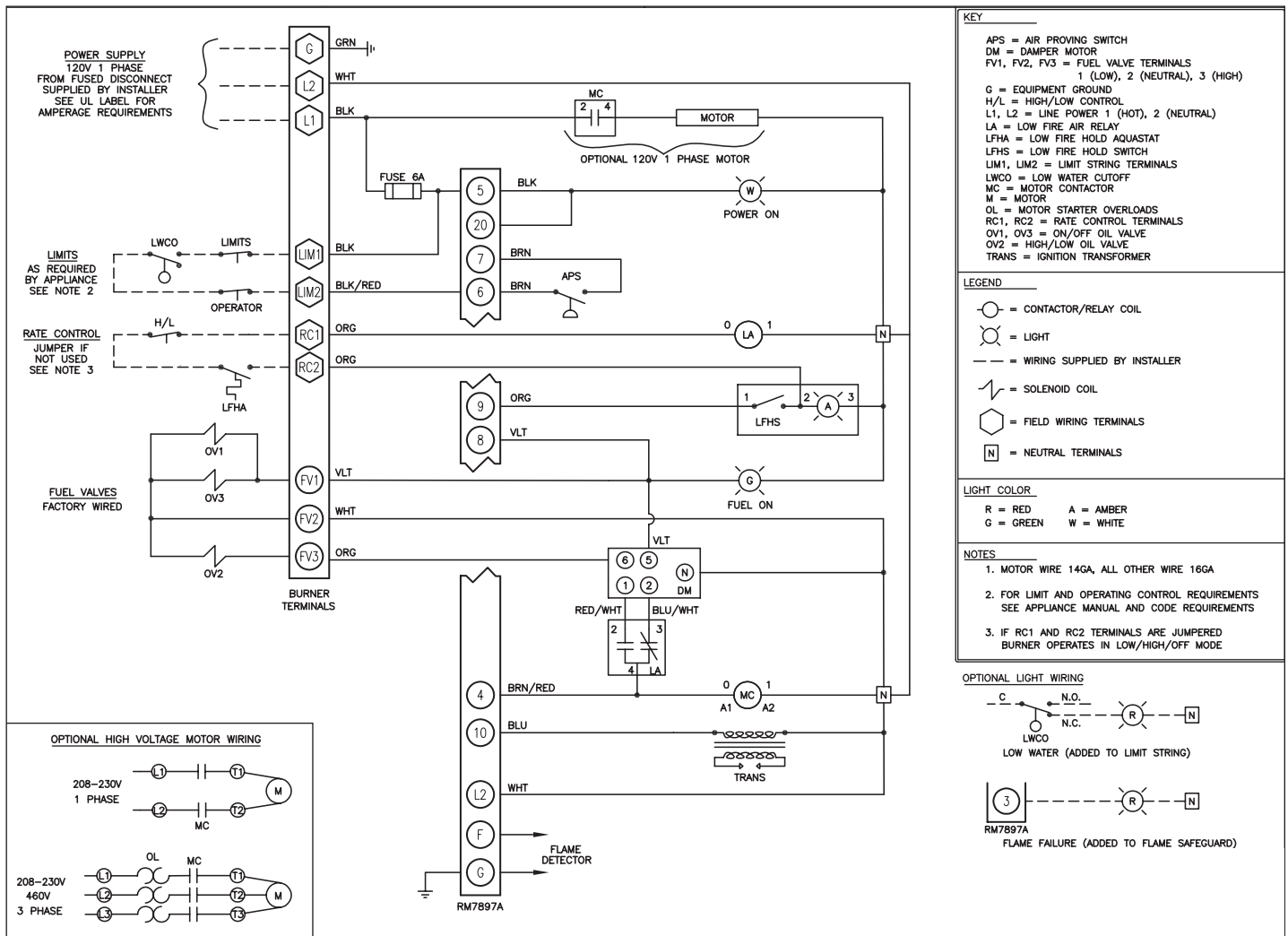
## Two-pipe Oil Flow



## Features

S - Standard	O - Optional	N/A - Not Available
On/Off		N/A
Linkageless Low/High/Low or Low/High/Off		S
Air Proving Switch		S
Direct Spark Ignition of Main Flame		S
Flame Safeguard with UV Sensor or Light Sensor	O	
Customized Electrical Cabinet	O	
UL/CUL - CSD1 - XL GAPS <sup>1</sup>		S
FM	O	
IRI (old standard)		O

# Typical Wiring (Honeywell RM7897A control)



## Combustion Chamber Dimensions

Firing Rate (gph)	Minimum Dimensions	
	A	L
17	10.5"	48.0"
22	11.5"	58.0"
27	12.5"	66.0"
32	12.5"	73.0"
35	13.0"	77.0"

