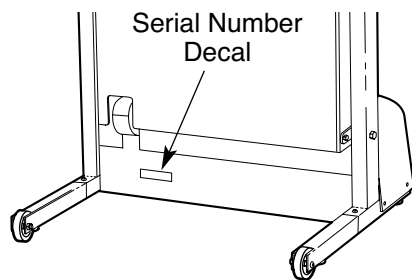


# WESLO® CADENCE 450

Model No. WLTL35520

Serial No. \_\_\_\_\_



## QUESTIONS?

If you have questions, or if there are missing parts, we will guarantee complete satisfaction through direct assistance from our factory.

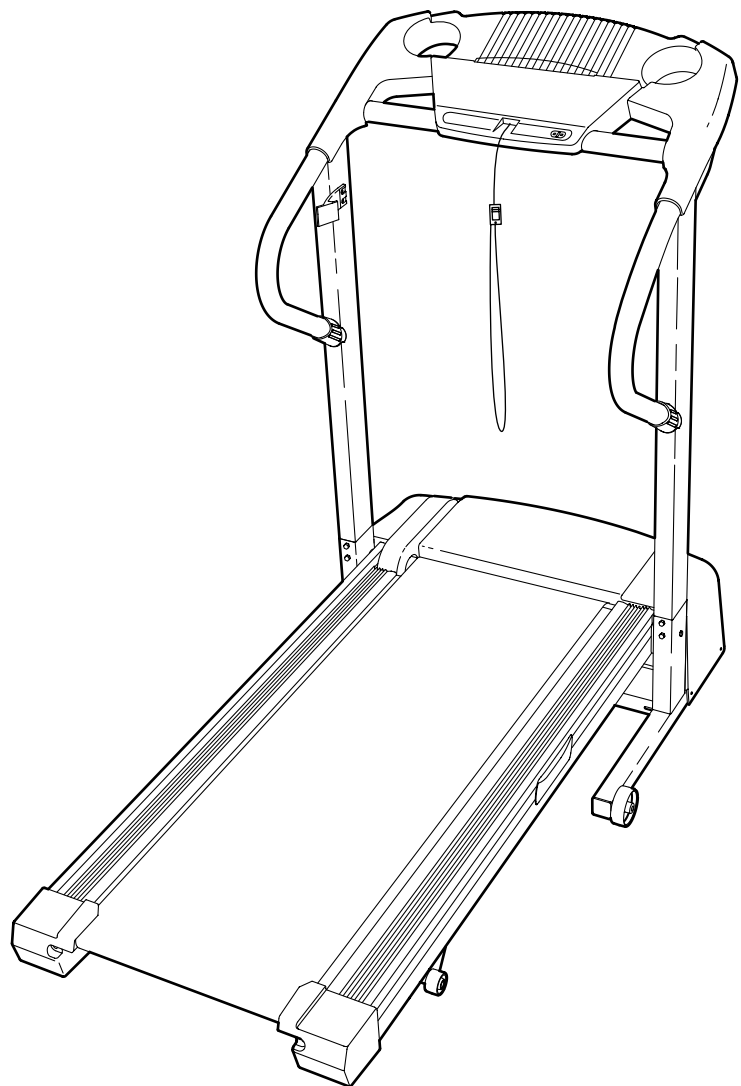
TO AVOID DELAYS, PLEASE CALL DIRECT TO OUR TOLL-FREE CUSTOMER HOT LINE. The trained technicians on our Customer Hot Line will provide immediate assistance, free of charge to you.

CUSTOMER HOT LINE:  
**1-800-999-3756**  
Mon.-Fri., 6 a.m.-6 p.m. MST

## CAUTION

Read all precautions and instructions in this manual before using this equipment. Save this manual for future reference.

## USER'S MANUAL



Visit our website at

[www.weslo.com](http://www.weslo.com)

*new products, prizes,  
fitness tips, and much more!*

---


# TABLE OF CONTENTS

IMPORTANT PRECAUTIONS .....	2
BEFORE YOU BEGIN .....	4
ASSEMBLY .....	5
OPERATION AND ADJUSTMENT .....	8
HOW TO FOLD AND MOVE THE TREADMILL .....	12
TROUBLESHOOTING .....	13
CONDITIONING GUIDELINES .....	15
ORDERING REPLACEMENT PARTS .....	Back Cover
LIMITED WARRANTY .....	Back Cover

Note: An EXPLODED DRAWING and a PART LIST are attached in the center of this manual.

---

## IMPORTANT PRECAUTIONS

** WARNING:** To reduce the risk of burns, fire, electric shock, or injury to persons, read the following important precautions and information before operating the treadmill.

1. It is the responsibility of the owner to ensure that all users of this treadmill are adequately informed of all warnings and precautions.
2. Use the treadmill only as described.
3. Place the treadmill on a level surface, with at least eight feet of clearance behind it and two feet on each side. Do not place the treadmill on any surface that blocks air openings. To protect the floor or carpet from damage, place a mat under the treadmill.
4. Keep the treadmill indoors, away from moisture and dust. Do not put the treadmill in a garage or covered patio, or near water.
5. Do not operate the treadmill where aerosol products are used or where oxygen is being administered.
6. Keep children under the age of 12 and pets away from the treadmill at all times.
7. The treadmill should be used only by persons weighing 250 pounds or less.
8. Never allow more than one person on the treadmill at a time.
9. Wear appropriate exercise clothes when using the treadmill. Do not wear loose clothes that could become caught in the treadmill. Athletic support clothes are recommended for both men and women. Always wear athletic shoes. Never use the treadmill with bare feet, wearing only stockings, or in sandals.
10. When connecting the power cord (see page 8), plug the power cord into a surge suppressor (not included) and plug the surge suppressor into a grounded circuit capable of carrying 15 or more amps. No other appliance should be on the same circuit. Do not use an extension cord.
11. Use only a single-outlet surge suppressor that meets all of the specifications described on page 8. To purchase a surge suppressor, see your local WESLO or call 1-800-806-3651 and order part number 146148.
12. Failure to use a properly functioning surge suppressor could result in damage to the control system of the treadmill. If the control system is damaged, the walking belt may change speed or stop unexpectedly, which may result in a fall and serious injury.
13. Keep the power cord and the surge suppressor away from heated surfaces.

14. Never move the walking belt while the power is turned off. Do not operate the treadmill if the power cord or plug is damaged, or if the treadmill is not working properly. (See BEFORE YOU BEGIN on page 4 if the treadmill is not working properly.)
15. Never start the treadmill while you are standing on the walking belt. Always hold the handrails while using the treadmill.
16. The treadmill is capable of high speeds. Adjust the speed in small increments to avoid sudden jumps in speed.
17. Never leave the treadmill unattended while it is running. Always remove the key and unplug the power cord when the treadmill is not in use.
18. Do not attempt to raise, lower, or move the treadmill until it is properly assembled. (See ASSEMBLY on page 5, and HOW TO FOLD AND MOVE THE TREADMILL on page 12.) You must be able to safely lift 45 pounds (20

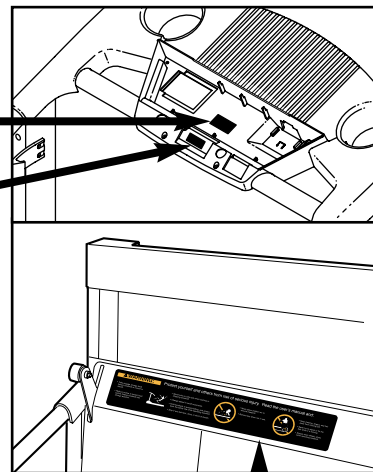
kg) to raise, lower, or move the treadmill.

19. When folding or moving the treadmill, make sure that the storage latch is fully closed.
20. Inspect and properly tighten all parts of the treadmill regularly.
21. Never insert any object into any opening.
22. **DANGER:** Always unplug the power cord immediately after use, before cleaning the treadmill, and before performing the maintenance and adjustment procedures described in this manual. Never remove the motor hood unless instructed to do so by an authorized service representative. Servicing other than the procedures in this manual should be performed by an authorized service representative only.
23. This treadmill is intended for in-home use only. Do not use this treadmill in a commercial, rental, or institutional setting.

**⚠ WARNING:** Before beginning this or any exercise program, consult your physician. This is especially important for persons over the age of 35 or persons with pre-existing health problems. Read all instructions before using. WESLO assumes no responsibility for personal injury or property damage sustained by or through the use of this product.

## SAVE THESE INSTRUCTIONS

The decals shown have been placed on your treadmill. If a decal is missing, or if it is not legible, please call our Customer Service Department, toll-free, to order a free replacement decal (see ORDERING REPLACEMENT PARTS on the back cover of this manual). Apply the decal in the location shown. Note: The decals are not shown at actual size.



### ⚠ WARNING:

Protect yourself and others from risk of serious injury. Read the user's manual and:

- Fully engage storage latch before treadmill is moved or stored.
- Reduce incline to lowest level before folding treadmill into storage position.



- Stand only on side rails when starting or stopping treadmill.
- Change speed in small increments.
- Hold handrails to prevent falling, and always wear the safety clip while operating treadmill.
- Stop if you feel faint, dizzy, or short of breath.



- Never allow children on or around treadmill.
- Remove key when not in use.



- Keep clothing, fingers, and hair away from moving belt.
- Never try to adjust or fix the belt while it is moving.
- Always wear athletic shoes while operating treadmill.

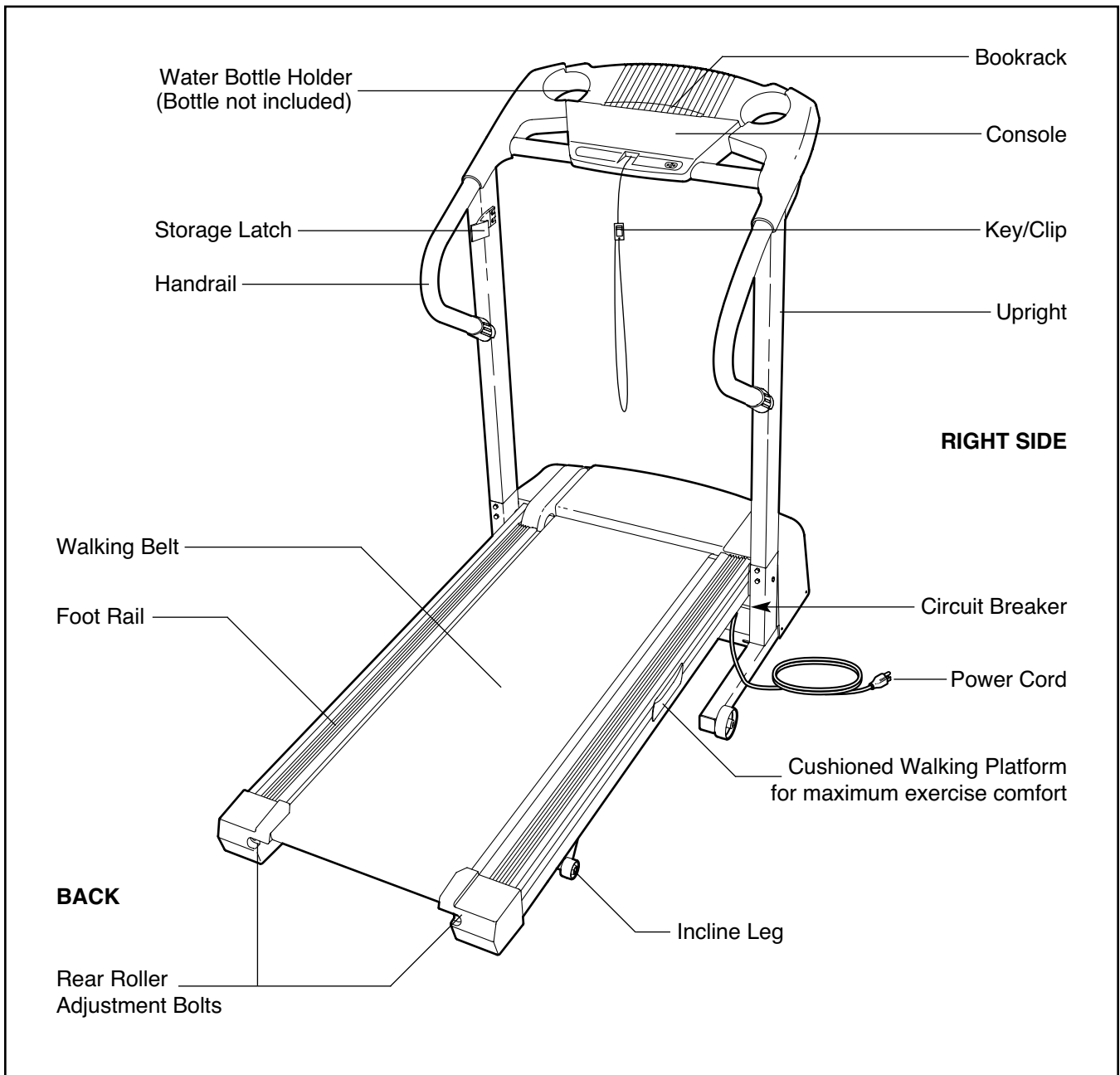
# BEFORE YOU BEGIN

Congratulations for selecting the new WESLO® CADENCE 450 treadmill. The CADENCE 450 treadmill combines advanced technology with innovative design to help you get the most from your exercise in the convenience and privacy of your home. And when you're not exercising, the unique CADENCE 450 can be folded up, requiring less than half the floor space of other treadmills.

**For your benefit, read this manual carefully before using the treadmill.** If you have additional questions, please call our Customer Service Department toll-free

at 1-800-999-3756, Monday through Friday, 6 a.m. until 6 p.m. Mountain Time (excluding holidays). To help us assist you, please note the product model number and serial number before calling. The model number of the treadmill is WLTL35520. The serial number can be found on a decal attached to the treadmill (see the front cover of this manual for the location).


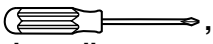




Before reading further, please review the drawing below and familiarize yourself with the parts that are labeled.



# ASSEMBLY

**Assembly requires two persons.** Set the treadmill in a cleared area and remove all packing materials. Do not dispose of the packing materials until assembly is completed.

Note: The underside of the treadmill walking belt is coated with high-performance lubricant. During shipping, a small amount of lubricant may be transferred to the top of the walking belt or the shipping carton. This is a normal condition and does not affect treadmill performance. If there is lubricant on top of the walking belt, simply wipe off the lubricant with a soft cloth and a mild, non-abrasive cleaner.

Assembly requires the included small allen wrench  and your own phillips screwdriver , rubber mallet , wire cutters , adjustable wrench , and needlenose pliers .

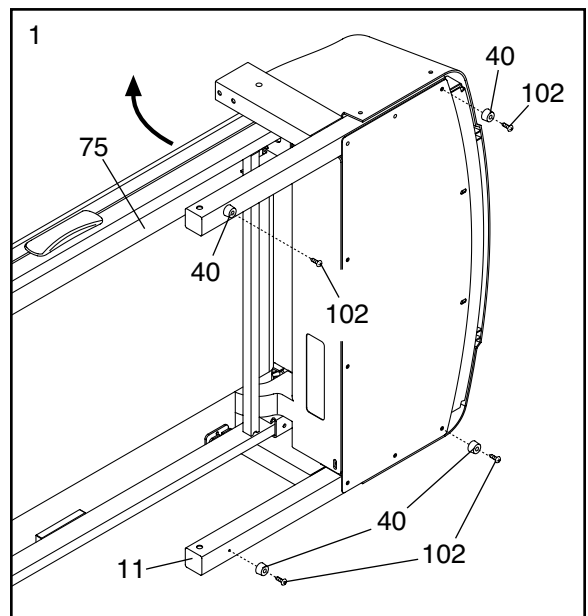
To identify small parts during assembly, use the PART IDENTIFICATION CHART in the center of this manual.

## 1. Make sure that the power cord is unplugged.



With the help of a second person, carefully tip the treadmill onto one side. Partially fold the Frame (75) so that the treadmill is more stable. **Do not fully fold the treadmill until it is completely assembled.**

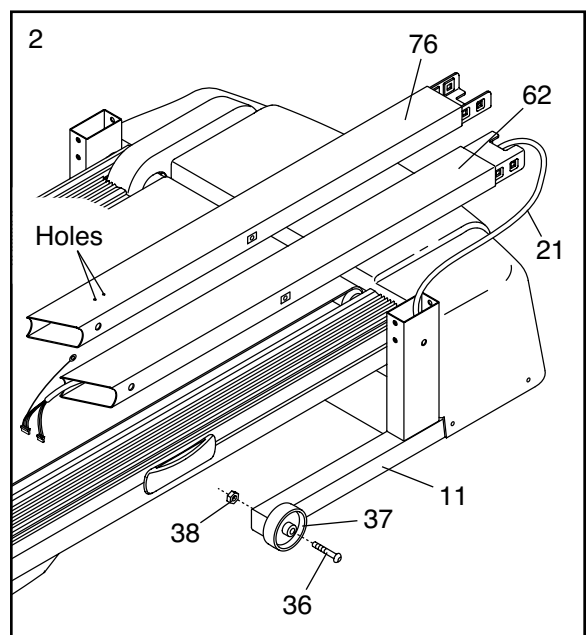
Attach four Base Pads (40) to the Base (11) with four 3/4" Tek Screws (102).



## 2. With the help of a second person, tip the treadmill down to the position shown.

Attach a Wheel (37) to each side of the Base (11) with a Wheel Bolt (36) and a Wheel Nut (38) as shown.

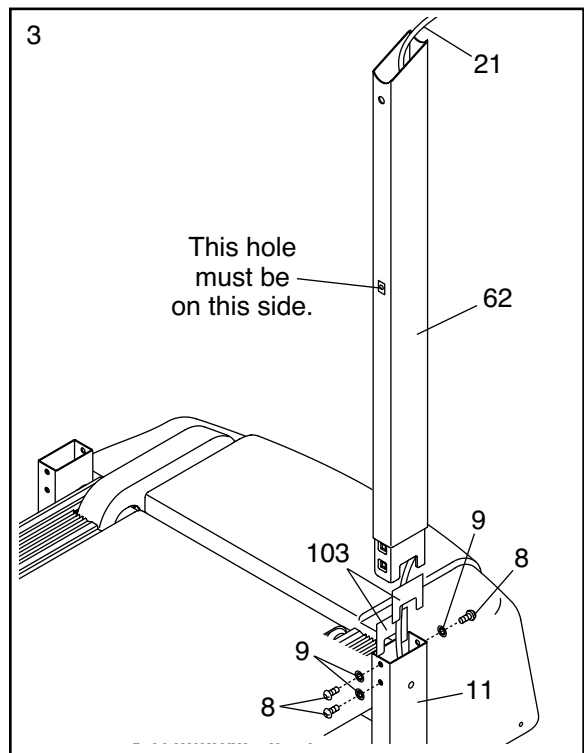
Identify the Right Upright (62) and the Left Upright (76) (there are two small holes in the side of the Left Upright). While a second person holds the Right Upright near the Wire Harness (21), insert the end of the Wire Harness into the lower end of the Right Upright and out of the upper end.



3. Insert a Plastic Shim (103) into each side of the post on the right side of the Base (11). Next, orient the Right Upright (62) as shown, and insert it into the Base. **Make sure that the Wire Harness (21) does not fall into the Right Upright. Be careful to avoid pinching the Wire Harness.** Note: If necessary, tap the Right Upright with a rubber mallet until it is fully seated in the Base. If the Right Upright cannot be fully seated, remove the outer Plastic Shim and then insert the Right Upright.

Attach the Right Upright (62) to the Base (11) with three 1" Bolts (8) and three Star Washers (9). **Do not tighten the Bolts yet.**

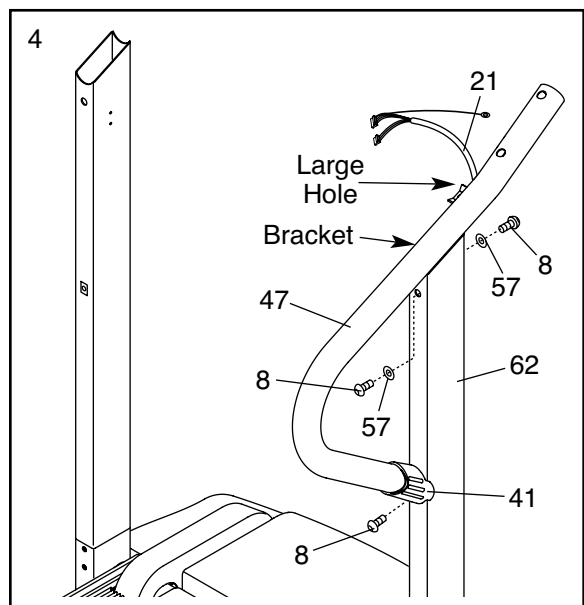
Assemble the Left Upright (not shown) in the same way.



4. Identify the Right Handrail (47), which has a large hole in the left side. Feed the Wire Harness (21) into the hole in the bottom of the Right Handrail and out of the large hole in the left side. (Note: It may be helpful to use needlenose pliers to pull the Wire Harness out of the large hole.) Press a Handrail Cap (41) onto the lower end of the Right Handrail as shown.

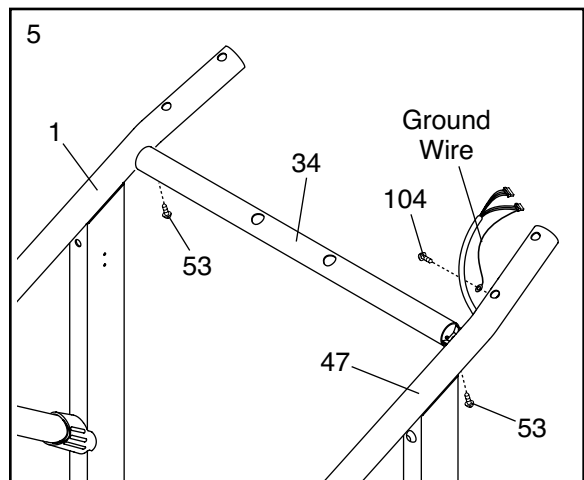
Insert the rectangular bracket on the Right Handrail (47) into the top of the Right Upright (62) so the Handrail Cap (41) is against the Right Upright. Attach the Right Handrail and the Handrail Cap with three 1" Bolts (8) and two Washers (57) as shown. **Do not tighten the Bolts yet.**

Attach the Left Handrail (not shown) as described above. Note: There is not a wire harness on the left side.



5. Hold the Crossbar (34) between the Handrails (1, 47). Attach the Crossbar with two Crossbar Screws (53). **Do not tighten the Crossbar Screws yet.**

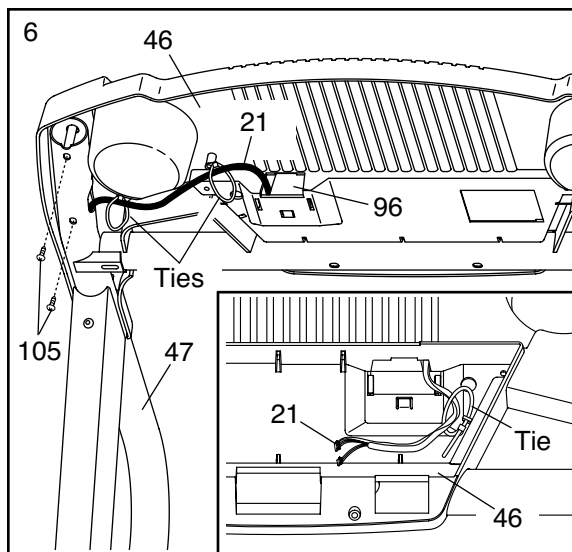
Attach the ring on the end of the ground wire to the small hole in the side of the Right Handrail (47) with a Silver Ground Screw (104).



- Place the Console Base (46) on the Right Handrail (47) and the Left Handrail (not shown). Attach the Console Base with four 1 1/4" Screws (105) (only two Screws are shown). **Do not tighten the Screws yet.**

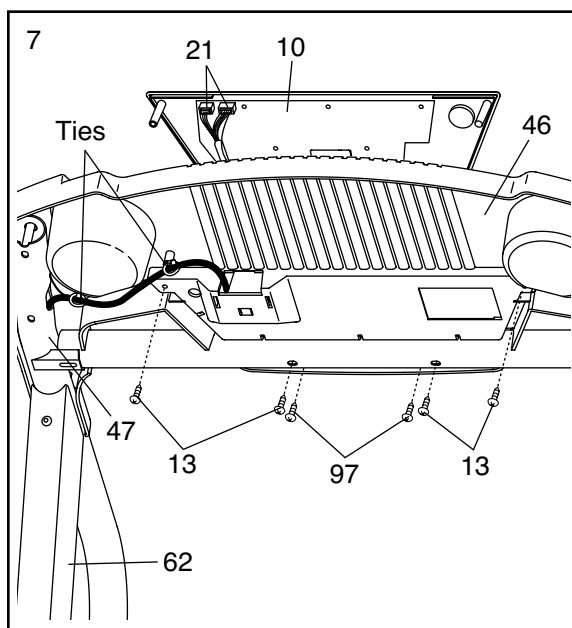
Insert the Wire Harness (21) through the two indicated plastic ties on the Console Base (46). Next, insert the Wire Harness up through the indicated opening in the Console Base. Make sure that the Console Cover (96) is securely attached to the Console Base.

Refer to the inset drawing. Look at the top of the Console Base (46). Insert the Wire Harness (21) through the plastic tie on top of the Console Base.



- Hold the Console (10) near the Console Base (46). **Touch the Right Upright (62) to discharge any static.** Plug the widest connector on the Wire Harness (21) into the widest connector on the Console. **If the connector does not fit easily, rotate it and then connect it.** Plug the other connector on the Wire Harness into the other connector on the Console. Insert the excess Wire Harness down through the opening in the Console Base. Refer to the inset drawing in step 6 above. **Securely tighten the plastic tie on top of the Console Base to prevent the Wire Harness from slipping.** Then, cut off the end of the plastic tie.

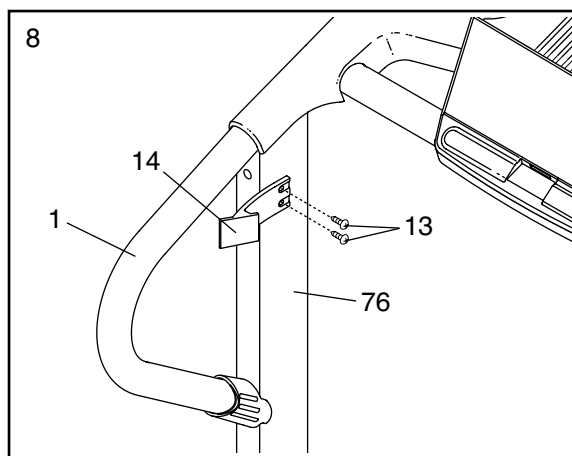
Set the Console (10) on the Console Base (46). Insert the excess Wire Harness (21) into the large hole in the side of the Right Handrail (47). **Securely tighten the plastic ties on the bottom of the Console Base to prevent the Wire Harness from slipping.** Then, cut off the ends of the plastic ties.



Attach the Console (10) to the Console Base (46) with two 1/2" Silver Screws (97) and four 3/4" Screws (13). **Start all six Screws before tightening them; do not overtighten the Screws.**

- Attach the Storage Latch (14) to the left Upright (76) with two 3/4" Screws (13). **Be careful not to overtighten the Screws.**

Lift the treadmill frame (see HOW TO FOLD THE TREADMILL FOR STORAGE on page 12), but do not latch it. Make sure that the frame is centered between the Handrails (1, 47 [not shown]). **Firmly tighten all of the bolts and screws used in assembly steps 3, 4, 5, and 6.** Then, lower the frame to the floor.



- Make sure that all parts are properly tightened before you use the treadmill.** Note: Extra hardware may be included. Keep the included allen wrenches in a secure place. The large allen wrench is used to adjust the walking belt (see page 14). To protect the floor or carpet, place a mat under the treadmill.

# OPERATION AND ADJUSTMENT

## THE PERFORMANT LUBE™ WALKING BELT

Your treadmill features a walking belt coated with PERFORMANT LUBE™, a high-performance lubricant.

**IMPORTANT:** Never apply silicone spray or other substances to the walking belt or the walking platform. Such substances will deteriorate the walking belt and cause excessive wear.

## HOW TO PLUG IN THE POWER CORD

**⚠ DANGER:** Improper connection of the equipment-grounding conductor can result in an increased risk of electric shock. Check with a qualified electrician or serviceman if you are in doubt as to whether the product is properly grounded. Do not modify the plug provided with the product—if it will not fit the outlet, have a proper outlet installed by a qualified electrician.

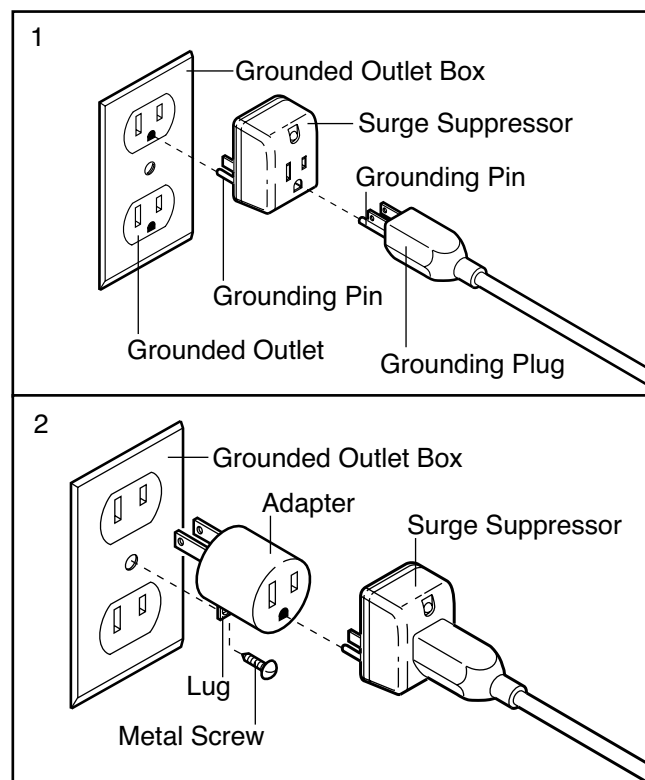
Your treadmill, like any other type of sophisticated electronic equipment, can be seriously damaged by sudden voltage changes in your home's power. Voltage surges, spikes, and noise interference can result from weather conditions or from other appliances being turned on or off. **To decrease the possibility of your treadmill being damaged, always use a surge suppressor with your treadmill (see drawing 1 at the right).** To purchase a surge suppressor, see your local WESLO dealer or call toll-free 1-800-806-3651 and order part number 146148.

Use only a single-outlet surge suppressor that is UL 1449 listed as a transient voltage surge suppressor (TVSS). The surge suppressor must have a UL suppressed voltage rating of 400 volts or less and a minimum surge dissipation of 450 joules. The surge suppressor must be electrically rated for 120 volts AC and 15 amps. There must be a monitoring light on the surge suppressor to indicate whether it is functioning properly. Failure to use a properly functioning surge suppressor could result in damage to the control system of the treadmill. If the control system is damaged, the walking belt may change speed or stop unexpectedly, which may result in a fall and serious injury.

**This product must be grounded.** If it should malfunction or break down, grounding provides a path of least resistance for electric current to reduce the risk of electric shock. This product is equipped with a cord having

an equipment-grounding conductor and a grounding plug. **Plug the power cord into a surge suppressor, and plug the surge suppressor into an appropriate outlet that is properly installed and grounded in accordance with all local codes and ordinances. Important: The treadmill is not compatible with GFCI-equipped outlets.**

This product is for use on a nominal 120-volt circuit, and has a grounding plug that looks like the plug illustrated in drawing 1 below. A temporary adapter that looks like the adapter illustrated in drawing 2 may be used to connect the surge suppressor to a 2-pole receptacle as shown in drawing 2 if a properly grounded outlet is not available.

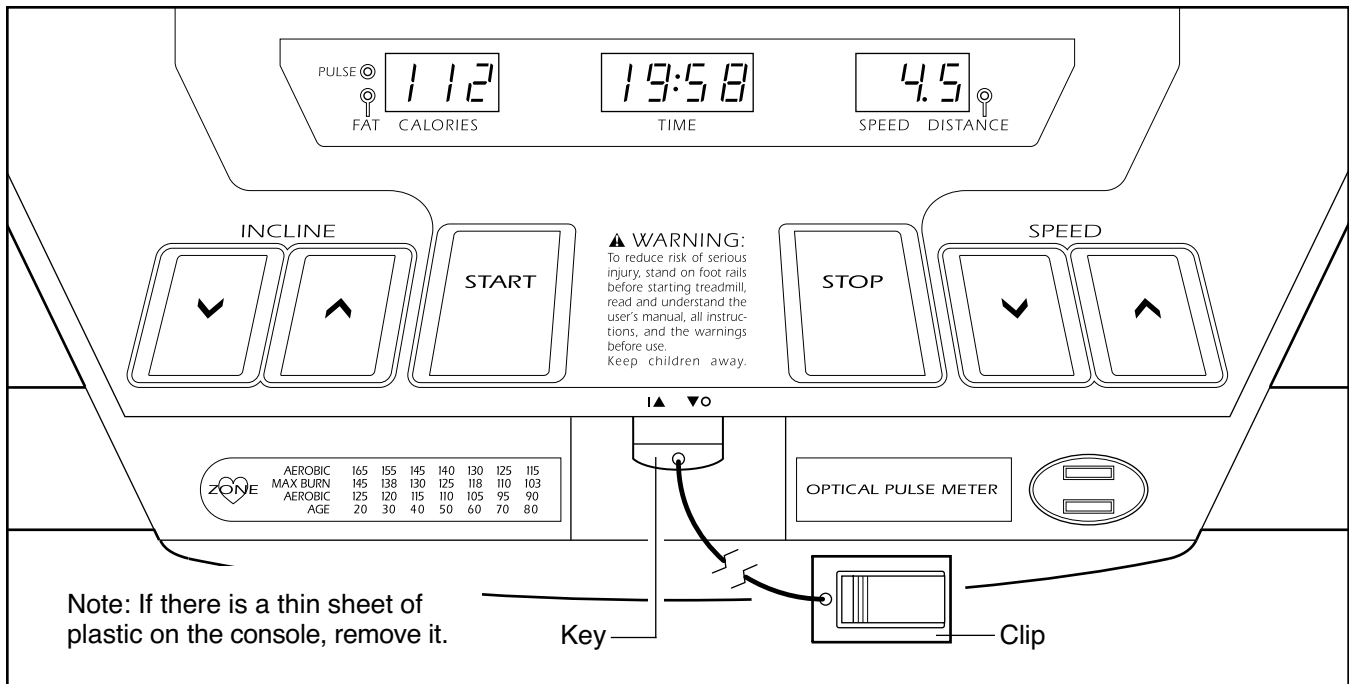


The temporary adapter should be used only until a properly grounded outlet (drawing 1) can be installed by a qualified electrician.

The green-colored rigid ear, lug, or the like extending from the adapter must be connected to a permanent ground such as a properly grounded outlet box cover. Whenever the adapter is used it must be held in place by a metal screw. **Some 2-pole receptacle outlet box covers are not grounded. Contact a qualified electrician to determine if the outlet box cover is grounded before using an adapter.**



## CONSOLE DIAGRAM



**⚠ CAUTION:** Before operating the console, read the following precautions.

- Do not stand on the walking belt when turning on the power.
- Always wear the clip (see the drawing above) while operating the treadmill.
- Adjust the speed in small increments to avoid sudden jumps in speed.
- To reduce the possibility of electric shock, keep the console dry. Avoid spilling liquids on the console and place only a sealed water bottle in the water bottle holder.

### STEP-BY-STEP CONSOLE OPERATION

Before operating the console, make sure that the power cord is properly plugged in (see page 8).

Next, stand on the foot rails of the treadmill. Find the clip attached to the key (see the drawing above) and slide the clip onto the waistband of your clothes.

Insert the key fully into the console. After a moment, the displays will light. **Test the clip by carefully tak-**

**ing a few steps backward until the key is pulled from the console, adjust the position of the clip.** Then, reinsert the key fully into the console.

Follow the steps below to operate the console.

#### **1** Insert the key fully into the console.

A few seconds after the key is inserted, the displays will light.

#### **2** Press the Start button or the Speed $\Delta$ button to start the walking belt.

A moment after the button is pressed, the walking belt will begin to move. Hold the handrails and begin walking.

As you exercise, change the speed of the walking belt as desired by pressing the Speed buttons. Each time a button is pressed, the speed setting will change by 0.1 mph; if a button is held down, the speed setting will change in increments of 0.5 mph. **Note: The console can display speed and distance in either miles or kilometers (see SPEED/DISTANCE DISPLAY on page 11). For simplicity, all instructions in this section refer to miles.**

To stop the walking belt, press the Stop button. The Time display will begin to flash.

Note: During the first few minutes that the treadmill is used, inspect the alignment of the walking belt and align it if necessary (see page 14).

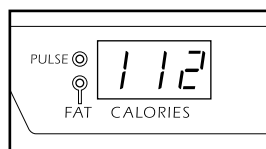
### 3 Change the incline of the treadmill as desired.

To change the incline of the treadmill, press either of the Incline buttons until the desired incline level is reached.

### 4 Follow your progress with the three displays.

#### Calories/Fat Calories/Pulse display

— This display shows the approximate numbers of calories and fat calories you have burned (see FAT BURNING on page 15). The display will change from one number to the other every few seconds. The FAT indicator will light when the number of fat calories is shown. The display will also show your heart rate when you use the pulse meter (see step 5).

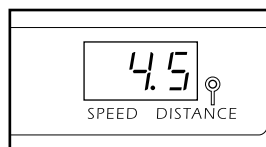


**Time display**— This display shows the elapsed time. When the Stop button is pressed, the display will flash.

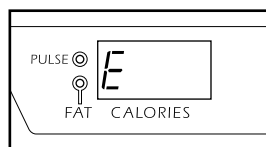


#### Speed/Distance display

— This display shows the speed of the walking belt and the distance that you have walked or run. The display will change from one number to the other every few seconds. The DISTANCE indicator will light when the distance is shown.



Note: The console can display speed and distance in either miles or kilometers. To see which unit of measurement is selected, hold down the Stop button, insert the key into the console, and continue to hold the Stop button for a moment. An “E” for English miles or an “M” for metric kilometers

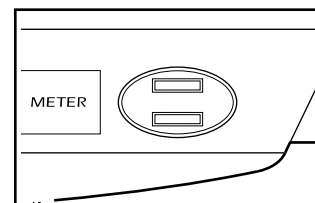


will appear in the Calories/Fat Calories/Pulse display. Press the Speed  $\Delta$  button to change the unit of measurement. When the desired unit of measurement is selected, remove the key and then reinsert it.

To reset the displays, press the Stop button, remove the key, and then reinsert the key.

### 5 Measure your heart rate, if desired.

To measure your heart rate, stand on the foot rails and place your thumb on the pulse meter as shown. **Do not press too hard, or the circulation in your thumb will be restricted and your pulse will not be detected.** After a few seconds, the PULSE indicator beside the Calories/Fat Calories/Pulse display will light and then your heart rate will be shown. Hold your thumb on the pulse meter for about 15 seconds for the most accurate reading.



If the displayed heart rate appears to be too high or too low, or if your heart rate is not displayed, lift your thumb off the pulse meter for a few seconds. Then, place your thumb on the pulse meter as described above. Make sure that you are applying the proper amount of pressure. Remember to stand still while measuring your heart rate.

### 6 When you are finished exercising, remove the key.

Step onto the foot rails, press the Stop button, and remove the key from the console. Keep the key in a secure place.

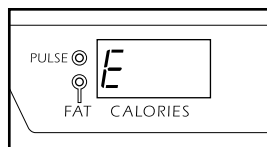
**⚠ WARNING:** Removing the key does not cut off power to the incline system. To prevent movement of the treadmill and possible injury, unplug the power cord when the treadmill is not in use.

## THE INFORMATION MODE

The console features an information mode that keeps track of the total number of hours that the treadmill has been operated and the total number of miles that the walking belt has moved. The information mode also allows you to switch the console from miles per hour to kilometers per hour.

To select the information mode, hold down the Stop button, insert the key into the console, and continue to hold the Stop button for a moment. When the information mode is selected, the following information will be shown:

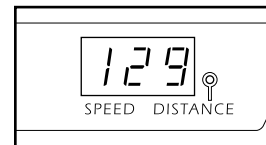
An “E” for English miles or an “M” for metric kilometers will appear in the Calories/Fat Calories/Pulse display. Press the Speed  $\Delta$  button to change the unit of measurement.



The Time display will show the total number of hours that the treadmill has been used.



The Distance/Laps display will show the total number of miles (or kilometers) that the walking belt has moved.



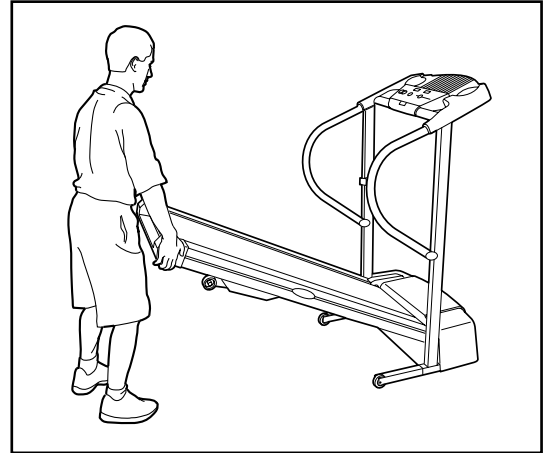
To exit the information mode, remove the key from the console.

# HOW TO FOLD AND MOVE THE TREADMILL

## HOW TO FOLD THE TREADMILL FOR STORAGE

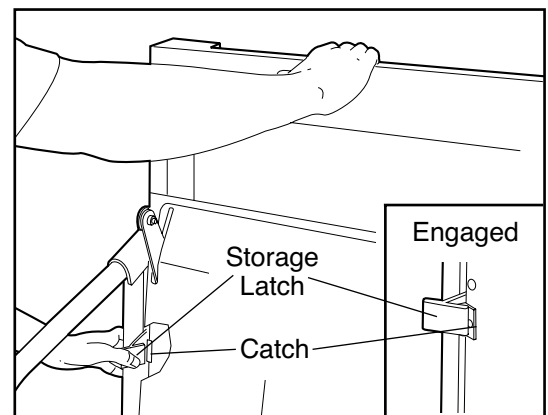
Before folding the treadmill, unplug the power cord. **CAUTION: You must be able to safely lift 45 pounds (20 kg) in order to raise, lower, or move the treadmill.**

1. Hold the treadmill with your hands in the locations shown at the right. **To decrease the possibility of injury, bend your legs and keep your back straight. As you raise the treadmill, make sure to lift with your legs rather than your back.** Raise the treadmill about halfway to the vertical position.



2. Move your right hand to the position shown and hold the treadmill firmly. Press out on the storage latch. Raise the treadmill until the storage latch closes over the catch. **Make sure that the storage latch is fully engaged over the catch.**

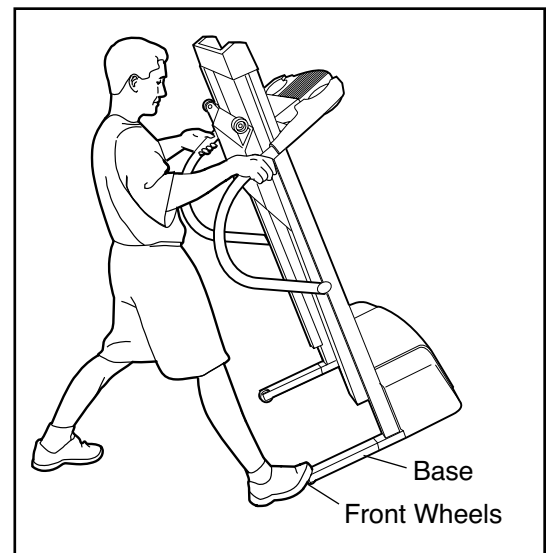
**To protect the floor or carpet from damage, place a mat under the treadmill. Keep the treadmill out of direct sunlight. Do not leave the treadmill in the storage position in temperatures above 85° Fahrenheit.**



## HOW TO MOVE THE TREADMILL

Before moving the treadmill, convert the treadmill to the storage position as described above. **Make sure that the storage latch is fully engaged over the catch.**

1. Hold the upper ends of the handrails. Place one foot on the base as shown.
2. Tilt the treadmill back until it rolls freely on the front wheels. Carefully move the treadmill to the desired location. **To reduce the risk of injury, use extreme caution while moving the treadmill. Do not move the treadmill over an uneven surface.**
3. Place one foot on the base, and carefully lower the treadmill until it is resting in the storage position.



## HOW TO LOWER THE TREADMILL FOR USE

1. Hold the upper end of the treadmill with your right hand as shown. Using your left thumb, press the storage latch and hold it. Pivot the treadmill until the frame and foot rail are past the storage latch.
2. Hold the treadmill firmly with both hands, and lower the treadmill to the floor. **Do not drop the treadmill frame to the floor. To decrease the possibility of injury, bend your legs and keep your back straight.**

# TROUBLESHOOTING

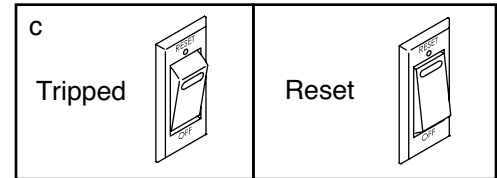
Most treadmill problems can be solved by following the steps below. Find the symptom that applies, and follow the steps listed. If further assistance is needed, please call our Customer Service Department toll-free at 1-800-999-3756, Monday through Friday, 6 a.m. until 6 p.m. Mountain Time (excluding holidays).

## PROBLEM: The power does not turn on

**SOLUTION:** a. Make sure that the power cord is plugged into a surge suppressor, and that the surge suppressor is plugged into a properly grounded outlet (see page 8). Use only a single-outlet surge suppressor that meets all of the specifications described on page 8. Important: The treadmill is not compatible with GFCI-equipped outlets.

b. After the power cord has been plugged in, make sure that the key is fully inserted into the console.

c. Check the circuit breaker located on the treadmill frame near the power cord. If the switch protrudes as shown, the circuit breaker has tripped. To reset the circuit breaker, wait for five minutes and then press the switch back in.



## PROBLEM: The power turns off during use

**SOLUTION:** a. Check the circuit breaker located on the treadmill frame near the power cord (see the drawing above). If the circuit breaker has tripped, wait for five minutes and then press the switch back in.

b. Make sure that the power cord is plugged in. If the power cord is plugged in, unplug it, wait for five minutes, and then plug it back in.

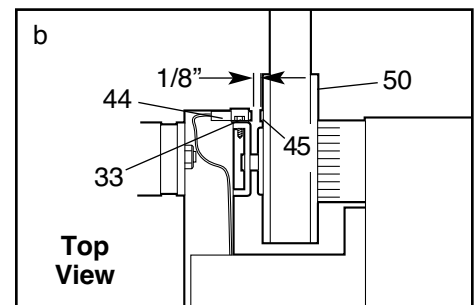
c. Remove the key from the console. Reinsert the key fully into the console.

d. If the treadmill still will not run, please call our Customer Service Department, toll-free.

## PROBLEM: The displays of the console do not function properly

**SOLUTION:** a. Remove the key from the console and **UNPLUG THE POWER CORD**. Remove the screws from the hood, and carefully remove the hood.

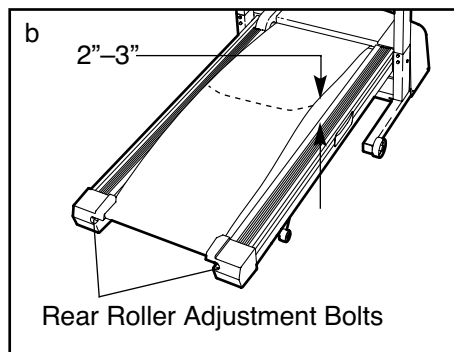
Locate the Reed Switch (44) and the Magnet (45) on the left side of the Pulley (50). Turn the Pulley until the Magnet is aligned with the Reed Switch. **Make sure that the gap between the Magnet and the Reed Switch is about 1/8"**. If necessary, loosen the Screw (33) and move the Reed Switch slightly. Retighten the Screw. Re-attach the hood, and run the treadmill for a few minutes to check for a correct speed reading. Reattach the Resistance Knob.



**PROBLEM: The walking belt slows when walked on**

**SOLUTION:** a. Use only a single-outlet surge suppressor that meets all of the specifications described on page 8.

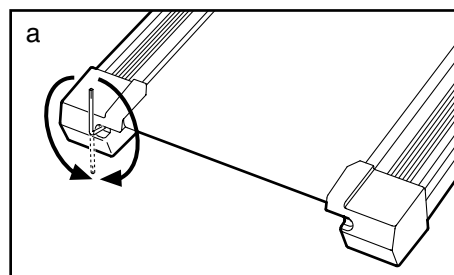
b. If the walking belt is overtightened, treadmill performance may decrease and the walking belt may become damaged. Remove the key and **UNPLUG THE POWER CORD**. Using the allen wrench, turn both rear roller adjustment bolts counterclockwise, 1/4 of a turn. When the walking belt is properly tightened, you should be able to lift each side of the walking belt 2 to 3 inches off the walking platform. Be careful to keep the walking belt centered. Plug in the power cord, insert the key and run the treadmill for a few minutes. Repeat until the walking belt is properly tightened.



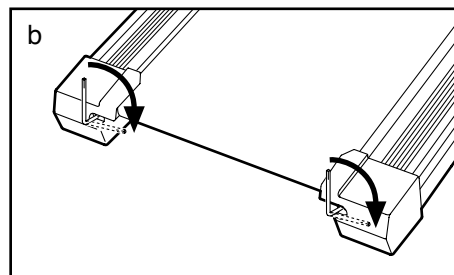
c. If the walking belt still slows when walked on, please call our toll-free Customer Service Department.

**PROBLEM: The walking belt is off-center or slips when walked on**

**SOLUTION:** a. If the walking belt is off-center, first remove the key and **UNPLUG THE POWER CORD**. **If the walking belt has shifted to the left**, use the allen wrench to turn the left rear roller bolt clockwise 1/2 of a turn; **if the walking belt has shifted to the right**, turn the bolt counterclockwise 1/2 of a turn. Be careful not to overtighten the walking belt. Plug in the power cord, insert the key and run the treadmill for a few minutes. Repeat until the walking belt is centered.



b. If the walking belt slips when walked on, first remove the key and **UNPLUG THE POWER CORD**. Using the allen wrench, turn both rear roller bolts clockwise, 1/4 of a turn. When the walking belt is correctly tightened, you should be able to lift each side of the walking belt 2 to 3 inches off the walking platform. Be careful to keep the walking belt centered. Plug in the power cord, insert the key and carefully walk on the treadmill for a few minutes. Repeat until the walking belt is properly tightened.



# CONDITIONING GUIDELINES

**⚠️ WARNING:** Before beginning this or any exercise program, consult your physician. This is especially important for individuals over the age of 35 or individuals with pre-existing health problems.

The pulse sensor is not a medical device. Various factors, including your movement, may affect the accuracy of heart rate readings. The sensor is intended only as an exercise aid in determining heart rate trends in general.

The following guidelines will help you to plan your exercise program. For more detailed exercise information, obtain a reputable book or consult your physician.

## EXERCISE INTENSITY

Whether your goal is to burn fat or to strengthen your cardiovascular system, the key to achieving the desired results is to exercise with the proper intensity. The proper intensity level can be found by using your heart rate as a guide. The chart below shows recommended heart rates for fat burning and aerobic exercise.

HEART RATE TRAINING ZONES							
AEROBIC	165	155	145	140	130	125	115
MAX FAT BURN	145	138	130	125	118	110	103
FAT BURN	125	120	115	110	105	95	90
Age	20	30	40	50	60	70	80

To find the proper heart rate for you, first find your age near the bottom of the chart (ages are rounded off to the nearest ten years). Next, find the three numbers above your age. The three numbers define your “training zone.” The lower two numbers are recommended heart rates for fat burning; the higher number is the recommended heart rate for aerobic exercise.

To measure your heart rate during exercise, use the pulse sensor. If your heart rate is too high or too low, adjust the speed and incline of the treadmill.

## Fat Burning

To burn fat effectively, you must exercise at a relatively low intensity level for a sustained period of time. During the first few minutes of exercise, your body uses easily accessible carbohydrate calories for en-

ergy. Only after the first few minutes does your body begin to use stored fat calories for energy. If your goal is to burn fat, adjust the speed and incline of the treadmill until your heart rate is near the lowest number in your training zone.

For maximum fat burning, adjust the speed and incline of the treadmill until your heart rate is near the middle number in your training zone.

## Aerobic Exercise

If your goal is to strengthen your cardiovascular system, your exercise must be “aerobic.” Aerobic exercise is activity that requires large amounts of oxygen for prolonged periods of time. This increases the demand on the heart to pump blood to the muscles, and on the lungs to oxygenate the blood. For aerobic exercise, adjust the speed and incline of the treadmill until your heart rate is near the highest number in your training zone.

## WORKOUT GUIDELINES

Each workout should include the following three parts:

**A Warm-up**—Start each workout with 5 to 10 minutes of stretching and light exercise. A proper warm-up increases your body temperature, heart rate and circulation in preparation for exercise.

**Training Zone Exercise**—After warming up, increase the intensity of your exercise until your pulse is in your training zone for 20 to 60 minutes. (During the first few weeks of your exercise program, do not keep your pulse in your training zone for longer than 20 minutes.) Breathe regularly and deeply as you exercise—never hold your breath.

**A Cool-down**—Finish each workout with 5 to 10 minutes of stretching to cool down. This will increase the flexibility of your muscles and will help prevent post-exercise problems.

## EXERCISE FREQUENCY

To maintain or improve your condition, complete three workouts each week, with at least one day of rest between workouts. After a few months, you may complete up to five workouts each week if desired.

The key to success is to make exercise a regular and enjoyable part of your everyday life.

---

# ORDERING REPLACEMENT PARTS

To order replacement parts, call our Customer Service Department toll-free at 1-800-999-3756, Monday through Friday, 6 a.m. until 6 p.m. Mountain Time (excluding holidays). When ordering parts, please be prepared to give the following information:

- The MODEL NUMBER of the product (WLTL35520)
- The NAME of the product (WESLO® CADENCE 450 treadmill)
- The SERIAL NUMBER of the product (see the front cover of this manual)
- The KEY NUMBER and DESCRIPTION of the desired part(s) (see the PART LIST and the EXPLODED DRAWING in the center of this manual)

WESLO is a registered trademark of ICON Health & Fitness, Inc.

## LIMITED WARRANTY

ICON Health & Fitness, Inc. (ICON), warrants this product to be free from defects in workmanship and material, under normal use and service conditions, for a period of ninety (90) days from the date of purchase. This warranty extends only to the original purchaser. ICON's obligation under this warranty is limited to replacing or repairing, at ICON's option, the product through one of its authorized service centers. All repairs for which warranty claims are made must be pre-authorized by ICON. This warranty does not extend to any product or damage to a product caused by or attributable to freight damage, abuse, misuse, improper or abnormal usage or repairs not provided by an ICON authorized service center; products used for commercial or rental purposes; or products used as store display models. No other warranty beyond that specifically set forth above is authorized by ICON.

ICON is not responsible or liable for indirect, special or consequential damages arising out of or in connection with the use or performance of the product or damages with respect to any economic loss, loss of property, loss of revenues or profits, loss of enjoyment or use, costs of removal or installation or other consequential damages of whatsoever nature. Some states do not allow the exclusion or limitation of incidental or consequential damages. Accordingly, the above limitation may not apply to you.

The warranty extended hereunder is in lieu of any and all other warranties and any implied warranties of merchantability or fitness for a particular purpose is limited in its scope and duration to the terms set forth herein. Some states do not allow limitations on how long an implied warranty lasts. Accordingly, the above limitation may not apply to you.

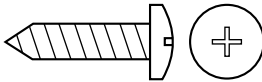
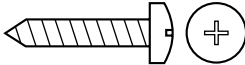
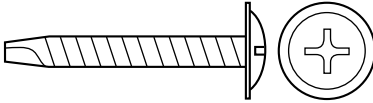
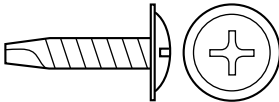
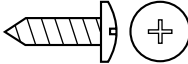
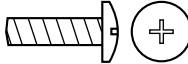
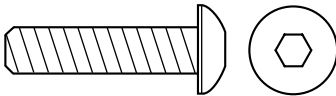
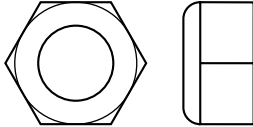
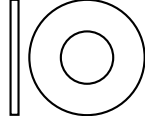
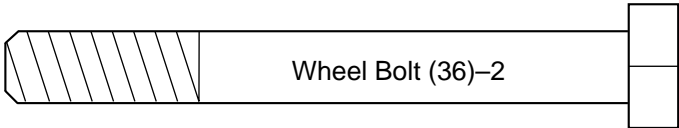
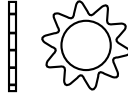
This warranty gives you specific legal rights. You may also have other rights which vary from state to state.

**ICON HEALTH & FITNESS, INC., 1500 S. 1000 W., LOGAN, UT 84321-9813**



# PART IDENTIFICATION CHART

Remove this chart and use it to identify small parts during assembly. Save this chart and the EXPLODED DRAWING/PART LIST for future reference.

 Crossbar Screw (53)-2	 3/4" Screw (13)-6	 1 1/4" Screw (105)-4
 3/4" Tek Screw (102)-4	 1/2" Silver Screw (97)-2	 Silver Ground Screw (104)-1
 1" Bolt (8)-12	 Wheel Nut (38)-2	 Washer (57)-4
 Wheel Bolt (36)-2		 Star Washer (9)-6 (May be an internal Star Washer)

# PART LIST—Model No. WLTL35520

R0902A

Key No.	Qty.	Description	Key No.	Qty.	Description
1	1	Left Handrail	58	2	Frame Pivot Bolt
2	1	Key/Clip	59	1	Latch Decal
3	2	Incline Leg Pivot Bolt	60	1	Motor Belly Pan
4	1	Cover	61	2	Cable Tie Clamp
5	1	Left Foot Rail	62	1	Right Upright
6	1	Lift Motor	63	3	Releasable Tie
7	1	Rear Roller	64	1	Choke
8	12	1" Bolt	65	2	Belt Guide
9	10	Star Washer	66	4	Belly Pan Fastener
10	1	Console	67	1	Walking Belt
11	1	Base	68	1	Walking Platform
12	1	Motor Belt	69	1	Belly Pan
13	13	3/4" Screw	70	9	Electronics Screw
14	1	Storage Latch	71	1	Incline Wire Harness
15	1	Thick Frame Spacer	72	1	Upright Grommet
16	7	8" Cable Tie	73	2	Small Screw
17	3	Motor Nut	74	1	5/32" Allen Wrench
18	1	Pulley/Flywheel/Fan	75	1	Frame
19	1	Motor	76	1	Left Upright
20*	1	Motor/Pulley/Flywheel/Fan	77	2	Incline Wheel Bolt
21	1	Wire Harness	78	1	Power Supply Plate
22	4	Belt Guide Screw	79	4	Incline Wheel Nut
23	1	Motor Hood	80	1	Ground Wire
24	1	Hood Shield	81	2	Hood Screw (Front)
25	9	Screw	82	1	Incline Leg
26	1	Controller	83	2	Rear Roller Adj. Bolt
27	1	Motor Swivel Bolt	84	1	Left Rear Endcap
28	1	Motor Tension Nut	85	1	Right Rear Endcap
29	1	Motor Star Washer	86	1	Incline Motor Bolt
30	1	Motor Tension Washer	87	2	Belly Pan Screw
31	2	Motor Tension Bolt	88	1	Power Supply
32	1	Incline Stop Bracket	89	1	Motor Belt Shield
33	7	Belly Pan Screw	90	1	Bookrack
34	1	Crossbar	91	4	Plastic Stand-Off
35	10	Cage Nut	92	1	Warning Decal
36	2	Wheel Bolt	93	1	Right Foot Rail
37	2	Wheel	94	1	Silver Screw
38	4	Wheel Nut/Lift Nut	95	2	Plastic Tie
39	5	Washer	96	1	Console Cover
40	4	Base Pad	97	2	1/2" Silver Screw
41	2	Handrail Cap	98	1	Thin Frame Spacer
42	1	Latch Catch	99	1	Hole Plug
43	1	Reed Switch Clip	100	1	Motor Controller Wire
44	1	Reed Switch	101	1	Allen Wrench
45	1	Magnet	102	4	3/4" Tek Screw
46	1	Console Base	103	4	Shim
47	1	Right Handrail	104	1	Silver Ground Screw
48	4	Platform Screw	105	4	1 1/4" Screw
49	2	Isolator	#	1	4" Red Wire, M/F
50	1	Front Roller/Pulley	#	1	4" Blue Wire, 2F
51	1	Front Roller Adj. Bolt	#	1	8" Blue Wire, 2F
52	2	Incline Wheel	#	1	4" White Wire, M/F
53	2	Crossbar Screw	#	1	8" White Wire, 2F
54	1	Power Cord	#	1	User's Manual
55	1	Power Cord Grommet			
56	1	Circuit Breaker			
57	4	Washer			

\* Includes all parts shown in the box

# These parts are not illustrated

# EXPLODED DRAWING—Model No. WLTL35520

R0902A

