

A woman with short blonde hair, wearing a pink tank top, is running on a treadmill. She is looking to her right with a slight smile. The background is a plain grey wall. The image is framed by yellow diagonal shapes on the left and right sides.

# *Assembly Guide*

VISION  FITNESS®

*T9200, T9500, T9600,  
AND T9700*  
PLATFORM TREADMILLS

# Assembly Guide

## T9200, T9500, T9600, AND T9700 PLATFORM TREADMILLS

To avoid possible damage to this Platform Treadmill, please follow these assembly steps in the correct order. Before proceeding though, find your new Platform Treadmill's 2 serial numbers, located on the underside of the main frame, and on the bottom of the console, and enter here:

\_\_\_\_\_

Frame Serial Number

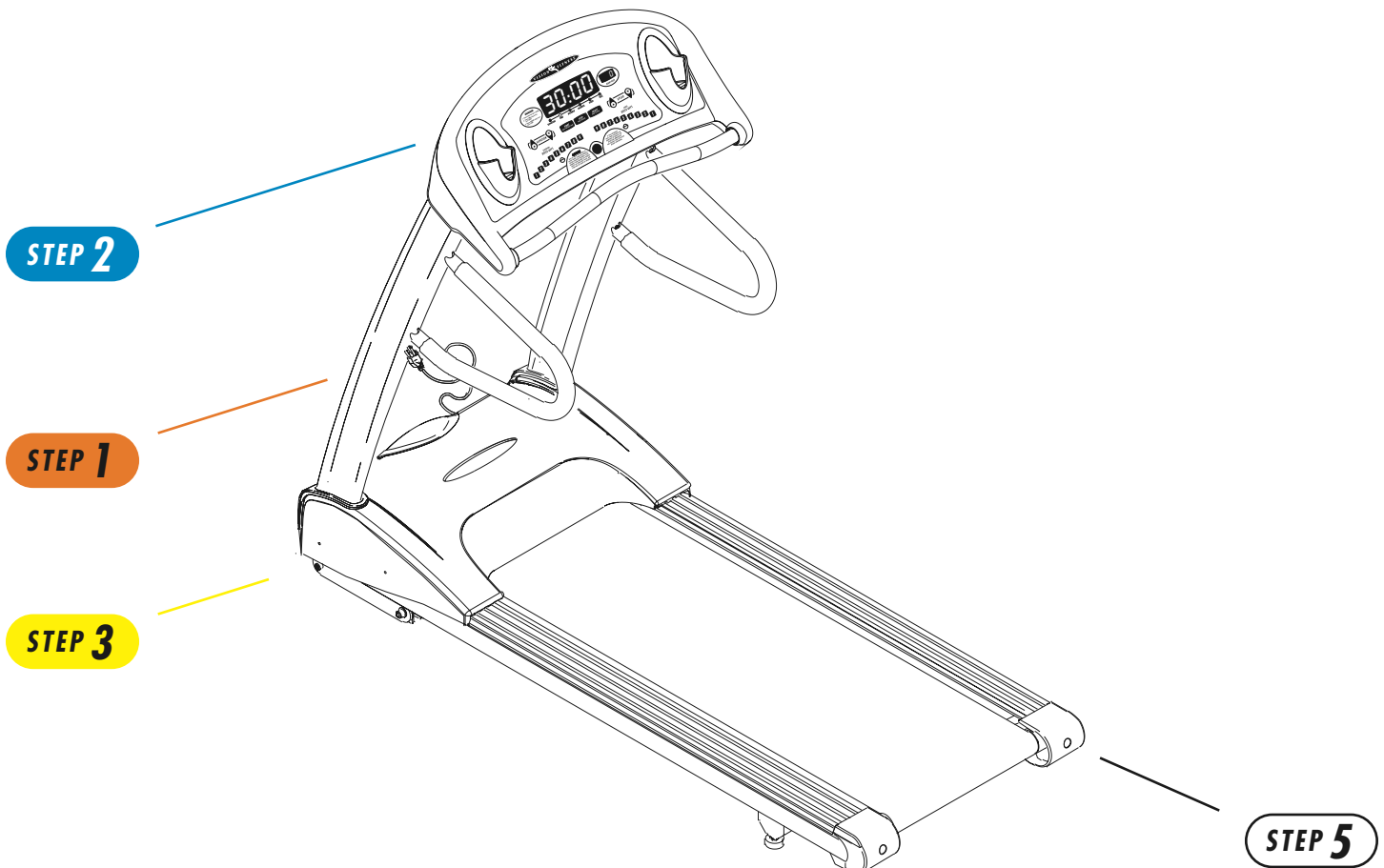
\_\_\_\_\_

Console Serial Number

Refer to these numbers when calling for service, and also enter these serial numbers on your Warranty Card and in your own records. Be sure to read your Owner's Guide before using your new Platform Treadmill.

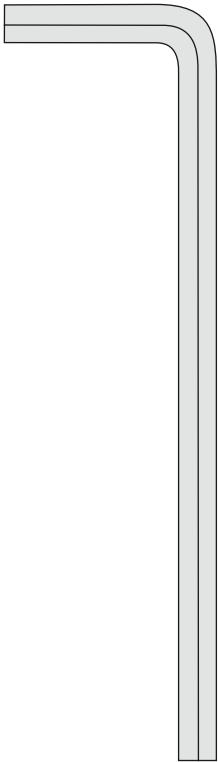
**If any parts, hardware or tools are missing, please call 1.800.335.4348, Extension 12**

**NOTE:** It is recommended that you apply grease to the threads of each bolt as you assemble your Platform Treadmill, to prevent loosening and noise. Also, during each assembly step, ensure that ALL nuts and bolts are in place and partially threaded in before completely tightening any ONE bolt.

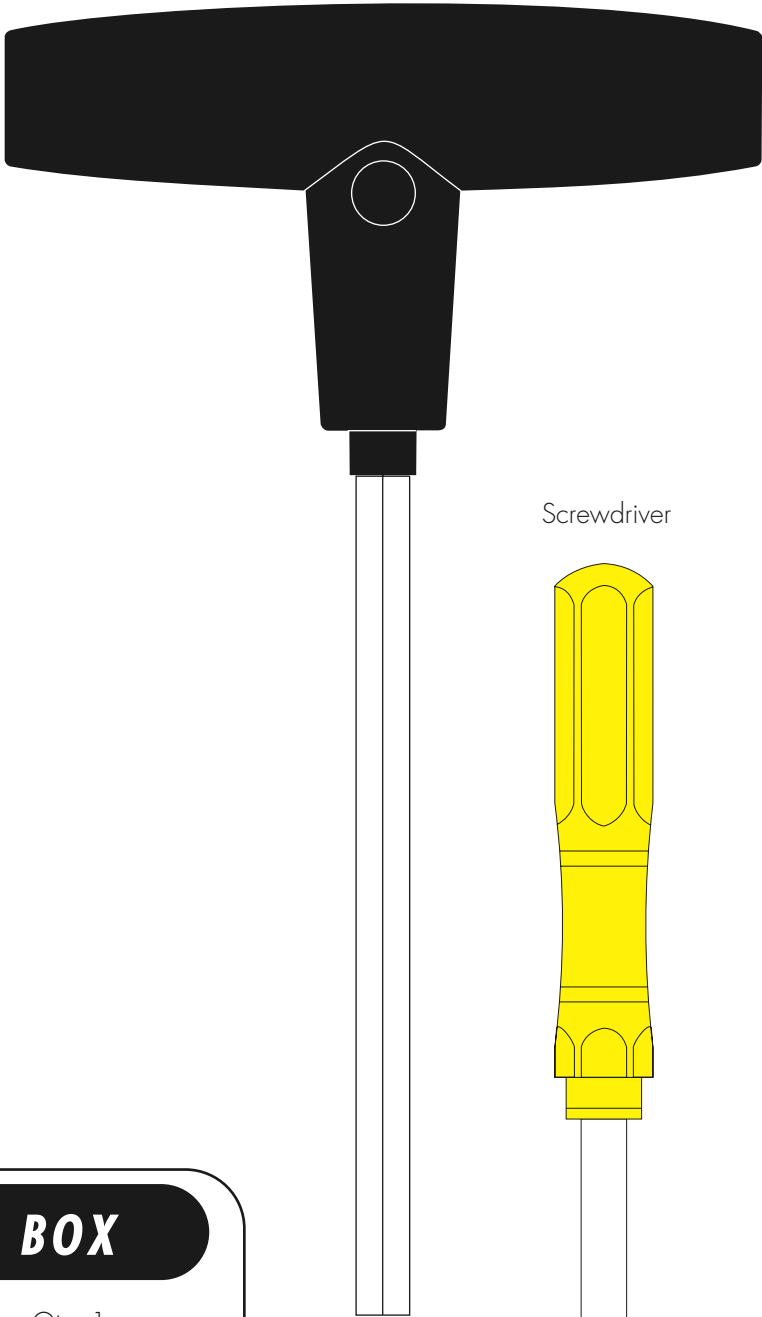


# TOOLS, HARDWARE, & PARTS INCLUDED

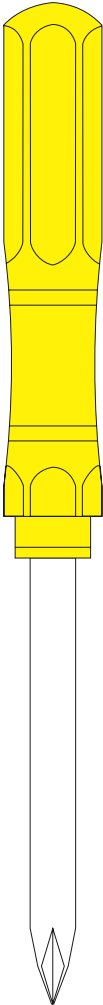
5mm L-Shaped Wrench



8mm Allen Wrench



Screwdriver

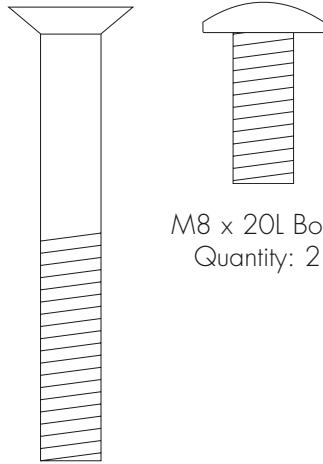
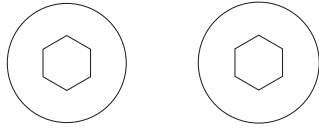


**PARTS BOX**

Water Bottle, Qty: 1  
Safety Magnet Key, Qty: 1 (except T9700)  
Color-coded Hardware Bags

# HARDWARE INCLUDED

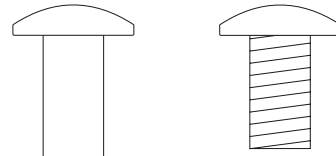
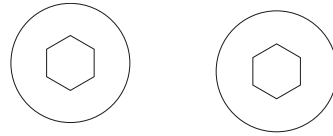
## ORANGE BAG



M8 x 20L Bolts  
Quantity: 2

M8 x 55L Flathead Bolts  
Quantity: 4

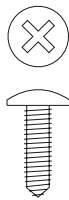
## BLUE BAG



M8 x 15L Bolts  
Quantity: 4

M8 x 135L Bolts  
Quantity: 4

## YELLOW BAG



M4 x 12L Panhead Screws  
Quantity: 4

## STEP 1

# ORANGE BAG

- Slide the rubber covers on to the left & right console supports, making sure that the lower cutout is facing inward.

**T9700:** Slide the data cable down the right console support using the white wire tie as a guide. Make sure that the data (1 large ribbon cable) goes through the large hole in the lower part of the console upright.

**T9200, T9500, T9600:** Slide the data cables down the right console support using the white wire tie as a guide. Make sure that the data cables (one small & one large telephone-style cable) go through the large hole in the lower part of the console upright.

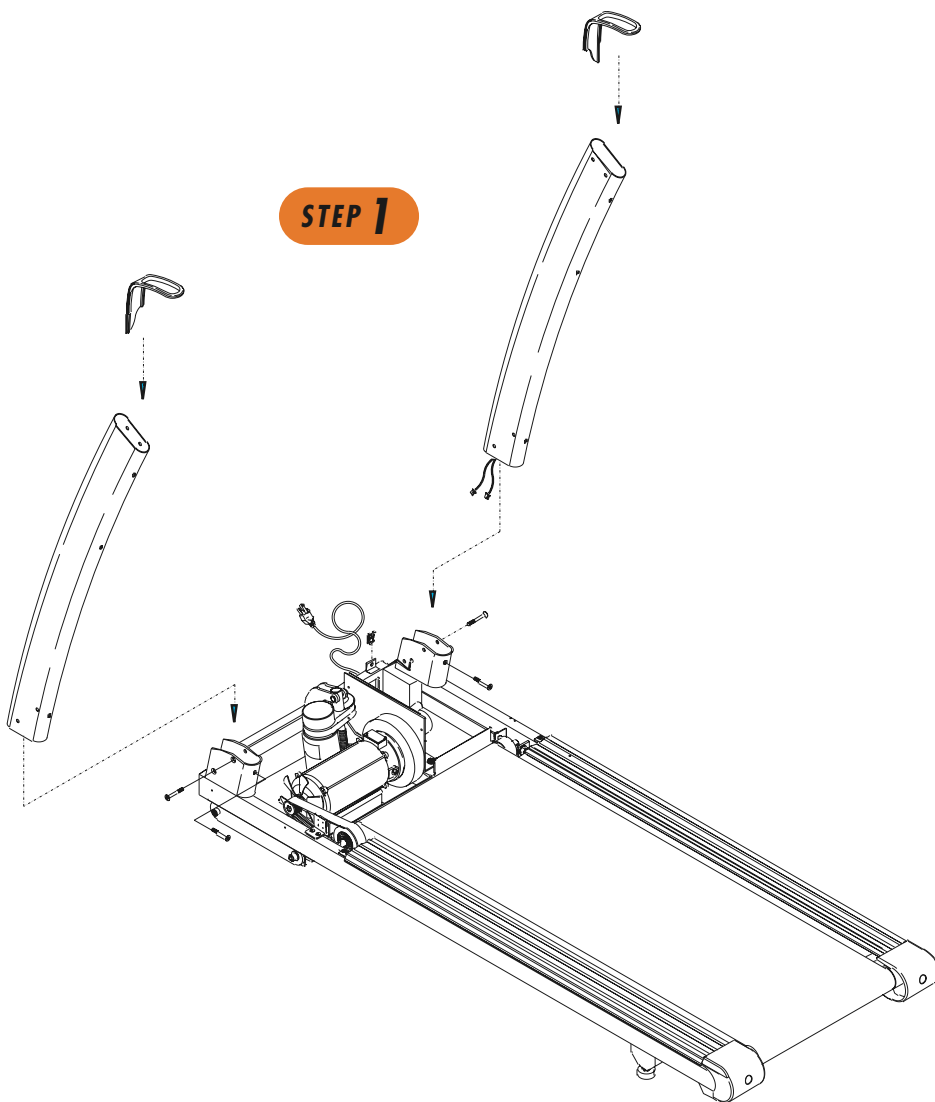
- Insert the left console support into the console support bracket and secure with two bolts (M8 x 55L Flathead) in the side of the console support bracket.

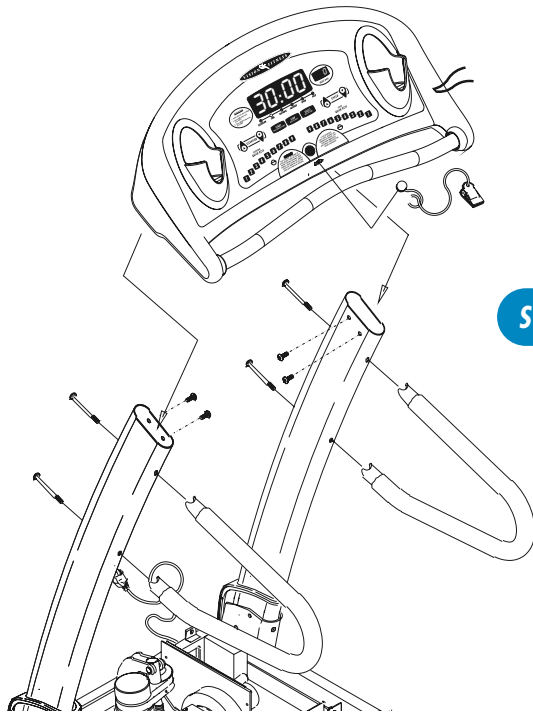
- Insert one bolt (M8 x 20L) in the rear of the console support bracket.

- Tighten all three bolts with the 5mm Allen wrench.

- Repeat this on the right side.

**NOTE:** There are no data cables on the left side.





## STEP 2

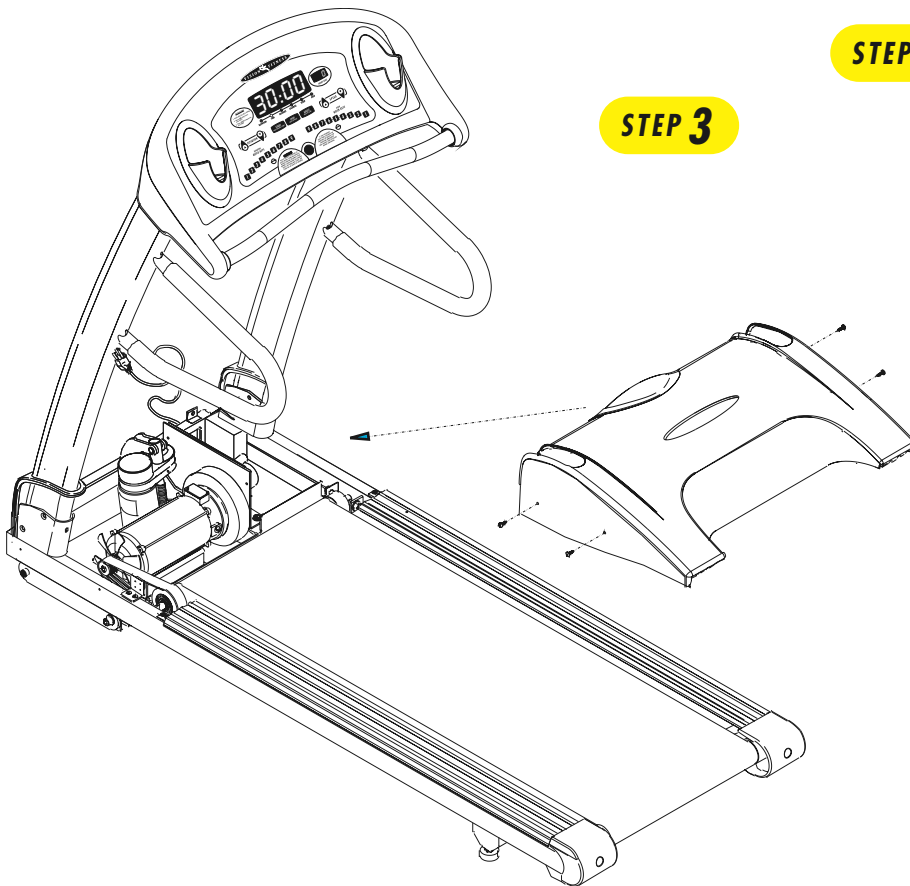
## STEP 2

## BLUE BAG

- Mount the console to the console mast using four bolts (M8 x 15L) and tighten with the 5mm Allen wrench.

**NOTE:** Push all extra data cable into the console mast. Make sure not to pinch or cut the data cable.

- Mount the right-hand side mount handlebar to the console mast using two bolts (M8 x 135L). Repeat this on the left-hand side.



## STEP 3

## STEP 3

## DATA CABLES

**MODELS T9200, T9500, & T9600:**

Plug in the small data cable into the small plug connection on the lower control board. Plug in the large data cable into the large plug connection on the lower control board. Slide down the rubber covers on the left & right console supports.

**MODEL T9700:** Plug the large 20-ribbon cable into the 20-pin connection on the lower control board. Slide down the rubber covers on the left & right console supports.

- Install the motor cover making sure that the rubber covers are inserted into the motor cover. Secure the motor cover using the six (M4 x 12L) screws (see Yellow bag).

## **MODEL CONFIGURATION & AUTO-CALIBRATION**

Once the Treadmill is plugged in, you need to configure the Treadmill and perform an auto-calibration to assure maximum performance.

### **T9700S & T9700HRT CONSOLES:**

**DO NOT STAND ON THE BELT WHEN PERFORMING THE AUTO-CALIBRATION**

Once the treadmill is plugged in, you will need to configure and run auto-calibration. With the safety key in place, turn the treadmill on. A setup screen should appear on the console. Set your treadmill to the correct model number (9700S or 9700HRT) using the ELEVATION arrow keys and the correct units (MI [miles]/ KM [kilometers]) using the SPEED arrow keys. If you are unsure of the model number, you can locate the number on the front of the console. Once you have located the model number and units with the arrow keys, press and hold SELECT. Now you can perform auto-calibration by pressing START.

The treadmill will run through minimum and maximum speed and elevation. This will take 3 to 5 minutes. Let the treadmill perform this complete function. "END" will appear when auto-calibration is complete. When auto-calibration is complete, it will take about 30 seconds for the treadmill to reboot and return to the start-up screen.

### **PREMIER CONSOLE:**

**DO NOT STAND ON THE BELT WHEN PERFORMING THE AUTO-CALIBRATION**

Once the treadmill is plugged in, you will need to configure and run auto-calibration. With the safety key in place, turn the treadmill on. A setup screen should appear on the console. Set your treadmill to the correct model number (9200, 9500, or 9600) using the ELEVATION arrow keys and the correct units (MI [miles]/KM [kilometers]) using the SPEED arrow keys. If you are unsure of the model number, you can locate the number on the console masts. Once you have located the model number and units with the arrow keys, press and hold SELECT. Now you can perform auto-calibration by pressing START.

The treadmill will run through minimum and maximum speed and elevation. This will take 3 to 5 minutes. Let the treadmill perform this complete function. "END" will appear when auto-calibration is complete. When auto-calibration is complete, it will take about 30 seconds for the treadmill to reboot and return to the start-up screen.

### **DELUXE CONSOLE:**

**DO NOT STAND ON THE BELT WHEN PERFORMING THE AUTO-CALIBRATION**

You need to access Engineering Mode to configure and auto-calibrate your treadmill. With the safety key in place, please hold down ELEVATION UP and SPEED DOWN for 5 seconds. "NONE" will appear in the data window. Press the UP arrow key until "ENG 1" appears in the data window. Press SELECT. A number will appear in the speed window. Use the SPEED arrow keys to select your treadmill configuration ("42"- T9500 MI [miles], "43"- T9500 KM [kilometers], "44"- T9600 MI, "45"- T9600 KM, "46"- T9200 MI, "47"- T9200 KM). If you are unsure of the model number you can locate the number on the console masts. Press SELECT to enter your configuration. "Update" will flash on the console. Press the ELEVATION UP arrows to P14 (Eng Out). Press STOP. Press the UP arrow key to "ENG 4". This is auto-calibration. Press SELECT.

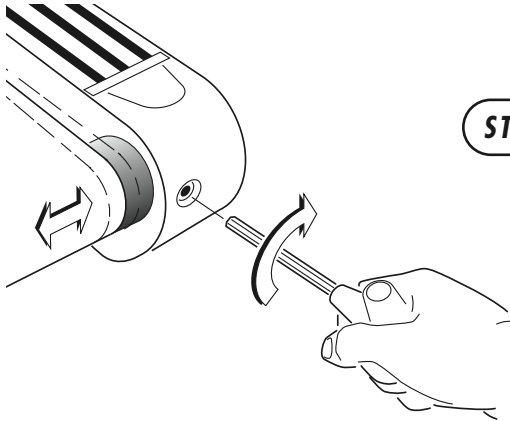
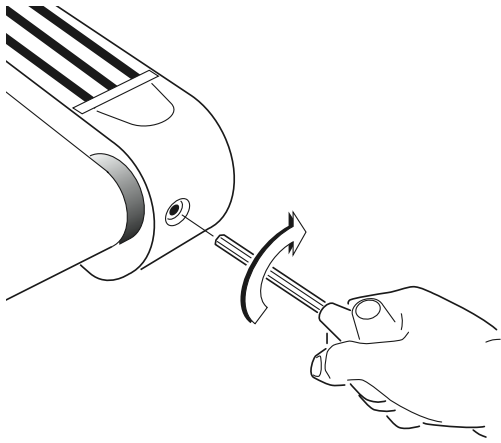
To begin auto-calibration, press START. The treadmill will run through minimum and maximum speed and maximum incline. The auto-calibration will take 3-5 minutes. Let the treadmill perform this complete function before exiting the Engineering Mode. "END" will appear in the center window when the auto-calibration is complete. When auto-calibration is complete, it will take the treadmill about 30 seconds to go to 0 elevation and return to the start-up screen with P1 showing in the function window.

### **SIMPLE CONSOLE:**

**DO NOT STAND ON THE BELT WHEN PERFORMING THE AUTO-CALIBRATION**

Once the treadmill is plugged in, you will need to configure and run auto-calibration. With the safety key in place, turn the treadmill on. A setup screen should appear on the console. The large LED window displays the model number and the small LED window displays the units. Set your treadmill to the correct model number (9200, 9500, or 9600) using the ELEVATION arrow keys and the correct units (0 for miles and 1 for kilometers) using the SPEED arrow keys. If you are unsure of the model number, you can locate the number on the console masts. Once you have located the model number and units with the arrow keys, press and hold SELECT. Now you can perform auto-calibration by pressing START.

The treadmill will run through minimum and maximum speed and elevation. This will take 3 to 5 minutes. Let the treadmill perform this complete function. "END" will appear in the window when auto-calibration is complete. When auto-calibration is complete, it will take about 30 seconds for the treadmill to reboot and return to the start-up screen.



**STEP 5**

**STEP 5**

## **BELT TENSION**

- If the running belt slips when used, use the supplied 8mm Allen wrench to turn the left and right tension bolts clockwise  $\frac{1}{4}$ -turn at a time until the belt no longer slips.
- If the running belt is too far to the *right side*, use the supplied 8mm Allen wrench to turn the *right* tension bolt clockwise  $\frac{1}{4}$ -turn at a time until the belt remains centered during use. If the running belt is too far to the *left side*, turn the *left* tension bolt clockwise  $\frac{1}{4}$ -turn at a time until the belt remains centered during use.

**VISION  FITNESS®**

500 South CP Avenue • P.O. Box 280 • Lake Mills, WI 53551  
toll free 1.800.335.4348 • phone 1.920.648.4090 • fax 1.920.648.3373  
[www.visionfitness.com](http://www.visionfitness.com)

©2005 Vision Fitness. All Rights Reserved. 5.05 Part #Z92TM186-AG  
AG18.12PRD  
REV8