



Assembly Guide



T9100 AND T9000
PLATFORM TREADMILLS

Assembly Guide

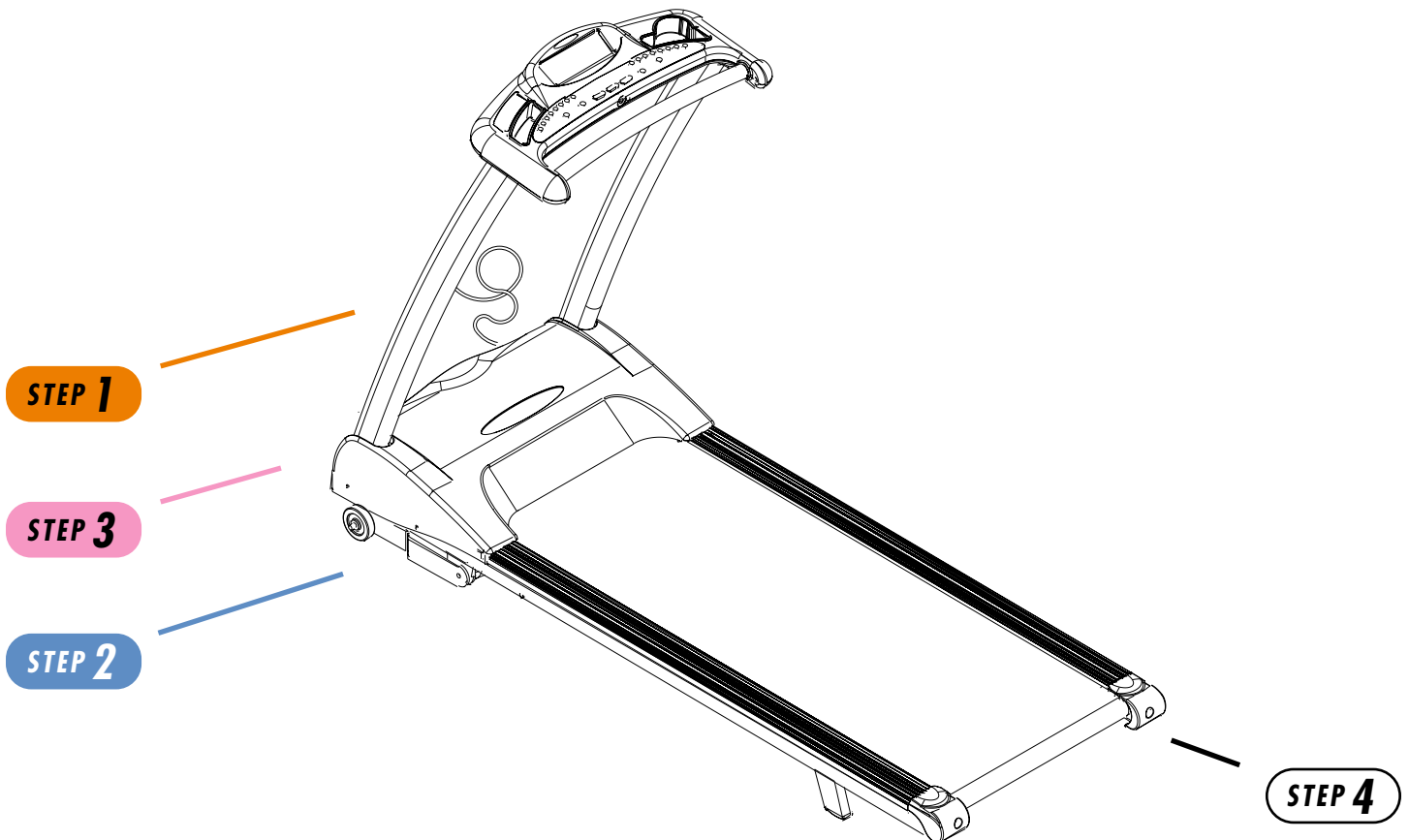
T9100 AND T9000 PLATFORM TREADMILLS

To avoid possible damage to this treadmill, please follow these assembly steps in the correct order. Before proceeding, find your new treadmill's serial number located on the front axle tube, and enter here:

Please, refer to this number when calling for service. Enter this serial number on your Warranty Card and in your own records. Be sure to read your Owner's Guide before using your new treadmill.

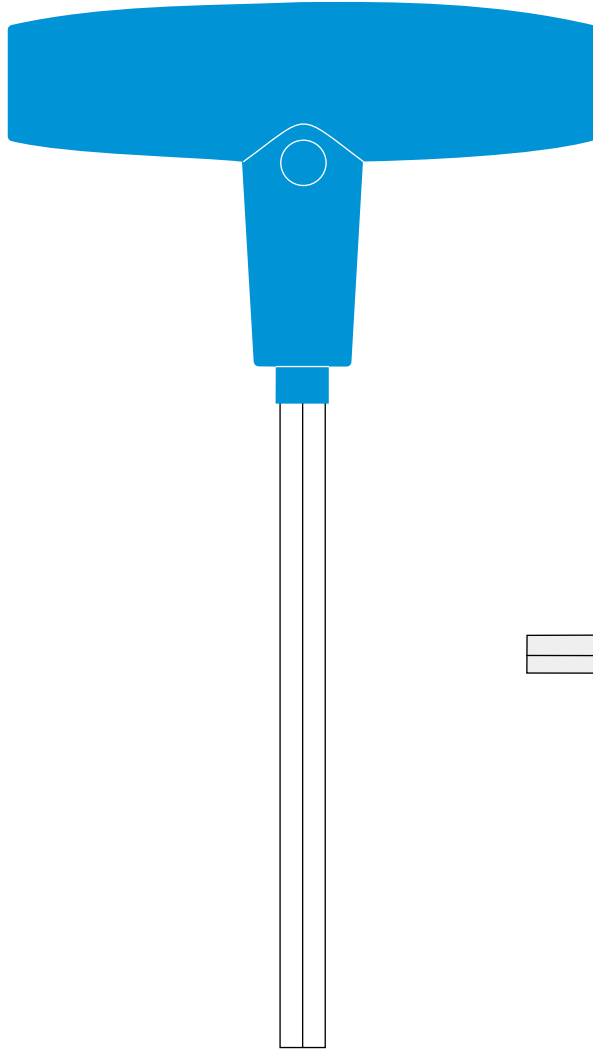
If any parts, hardware or tools are missing, please call 1.800.335.4348, Extension 12

NOTE: It is recommended that you apply grease to the threads of each screw as you assemble your treadmill to prevent loosening and noise. Also, during each assembly step, ensure that ALL screws are in place and partially threaded in before completely tightening any ONE screw or bolt.

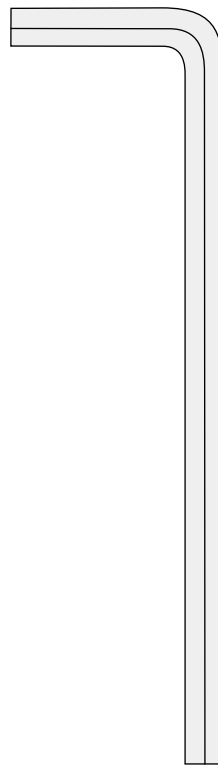
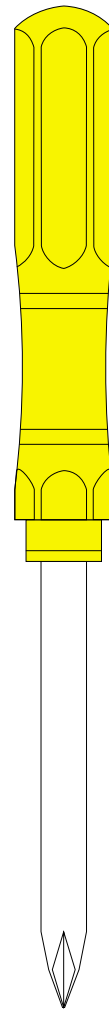


TOOLS & PARTS INCLUDED

6^{mm} Allen Wrench



Screwdriver



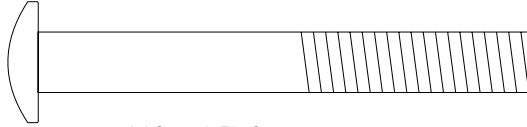
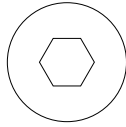
5^{mm} L-Shaped Wrench

PARTS BOX

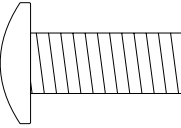
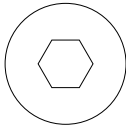
Water Bottle, Qty: 1
Color-coded Hardware Bags
Owner's Guide
Assembly Guide
Warranty Card

HARDWARE INCLUDED

ORANGE BAG

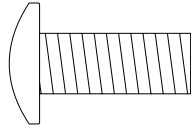
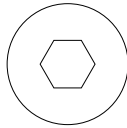


M8 x 65L Screw
Quantity: 6



M8 x 20L Screws
Quantity: 2

BLUE BAG

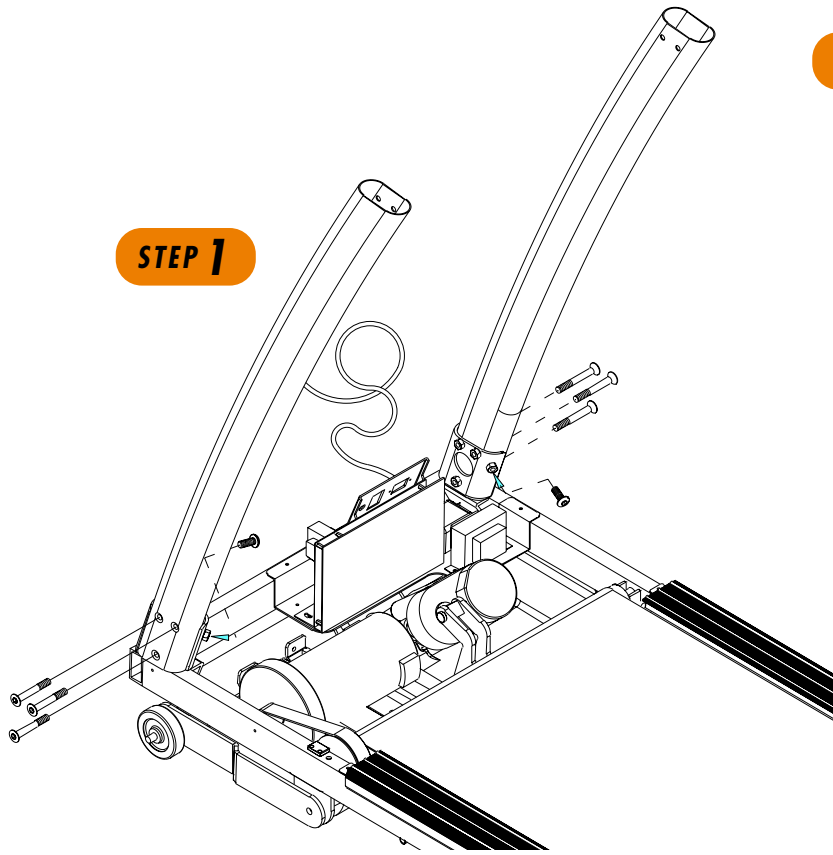


M8 x 20L Screws
Quantity: 4

PINK BAG



M5 x 20L Panhead Screw
Quantity: 4

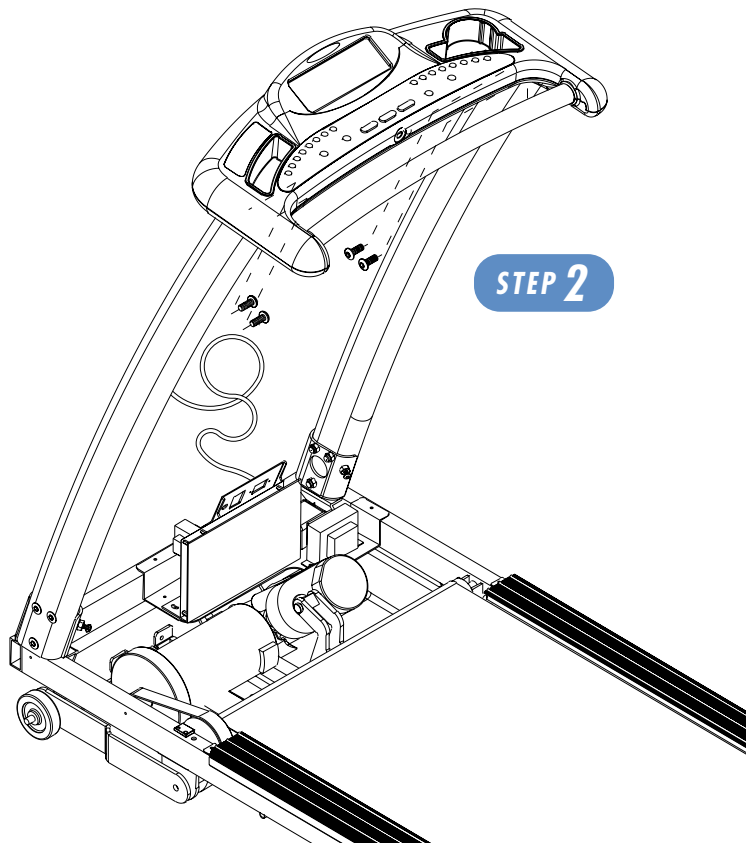


STEP 1

STEP 1

ORANGE BAG

- Insert one of the console supports into the console support bracket and secure with three bolts (M8x65L) in the side of the console support bracket.
- Secure the rear of the console support using bolt (M8x20L)
- Use the 5mm L-shaped Allen wrench to tighten all bolts.
- Repeat this step on the opposite side. **NOTE:** The right console support has a white wire tie attached to it.

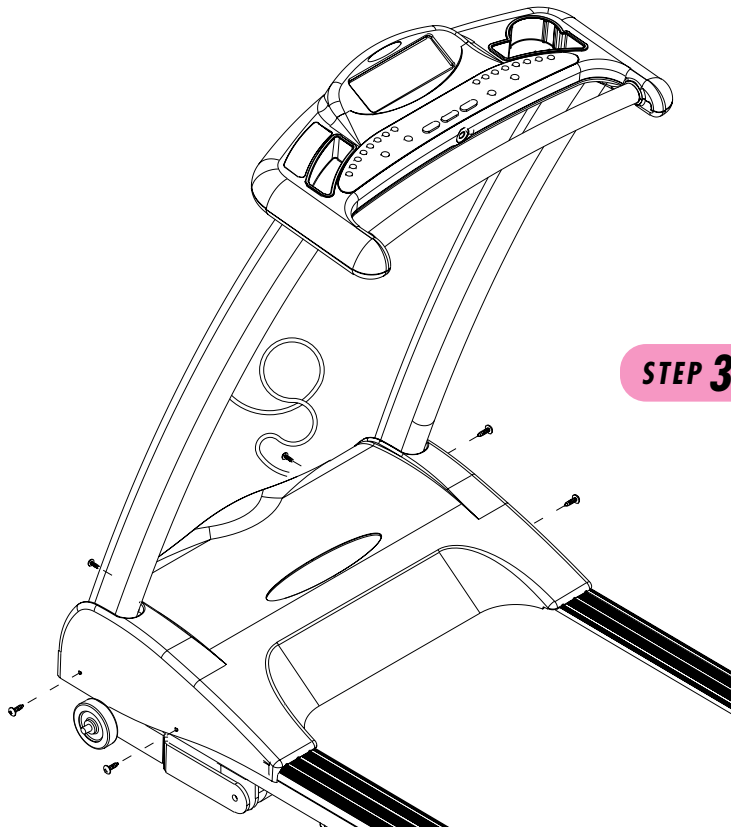


STEP 2

STEP 2

BLUE BAG

- Slide the data cables down the right console support using the white wire tie as a guide. Make sure that the data cables come out the hole in the side of the console support.
- Mount the console to the console mast using the four flathead bolts (M8x20L) and tighten with the blue handled 5mm L-shaped Allen wrench. **NOTE:** Push all extra data cable into the console mast. Make sure not to pinch or cut the data cable.



STEP 3

STEP 3

PINK BAG

- Plug the large data cable into the large plug connection on the lower control board. Plug the small data cable into the small plug connection on the lower control board.
- Install the motor cover. Secure the motor cover using the four (M5x20L) screws.

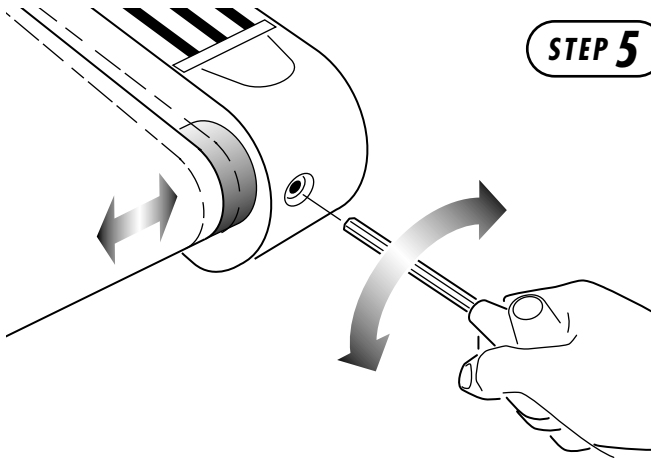
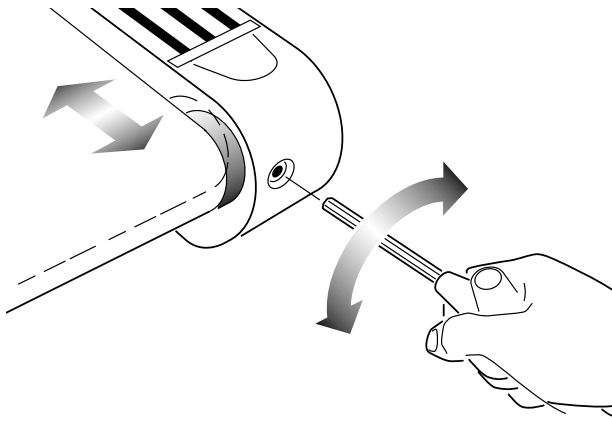
STEP 4

AUTO CALIBRATION

- Once the treadmill is plugged in, you need to perform an Auto-Calibration to assure maximum performance.

DO NOT STAND ON THE BELT WHEN PERFORMING THE AUTO-CALIBRATION

- With the SAFETY KEY in place, hold the ELEVATION UP and SPEED DOWN buttons for five seconds. The console will beep twice, "ENGO" will appear in the Distance window, and a number will appear in the Elevation window.
- Press SELECT until "ENG3" appears; this is for Auto-Calibration. Press START to Auto-Calibrate.
- The treadmill will calibrate minimum and maximum speed, and minimum and maximum elevation. When Auto-Calibration is complete, the treadmill will reset to User's start screen. This process takes three to five minutes.



STEP 5

STEP 5

BELT TENSION

- If the running belt slips when used, use the supplied 6mm Allen wrench to turn the left and right tension bolts clockwise 1/4 turn at a time until the belt no longer slips.
- If the running belt is too far to the right side, use the supplied 6mm Allen wrench to turn the right tension bolt clockwise 1/4 turn at a time until the belt stays centered during use. If the running belt is too far to the left side, turn the left tension bolt clockwise 1/4 turn at a time until the belt remains centered during use.



500 South CP Avenue • P.O. Box 280 • Lake Mills, WI 53551
toll free 1.800.335.4348 • phone 1.920.648.4090 • fax 1.920.648.3373
www.visionfitness.com

©2002 Vision Fitness. All Rights Reserved. 10.03 Part #Z90TM78-AG18.27PRD
AG18.27PRD
REV2