

MODEL NUMBER**Z8****SPECIFICATIONS**

Drive Motor: 1.5 HP / 4000rpm

Speed range: 0.5 – 10mph,

Incline level: 11 Levels / Power

Running surface: 18" X 50"

Drive rollers: 2.5 inch diameter

Console features:

5 Built-in programs, 10 quick keys for speed and elevation, 3 users, 2 H.R.C..

7 data display window for distance, time, calories, speed, pulse, incline, program/laps; lube reminder.

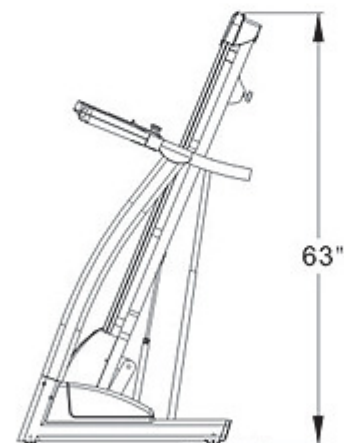
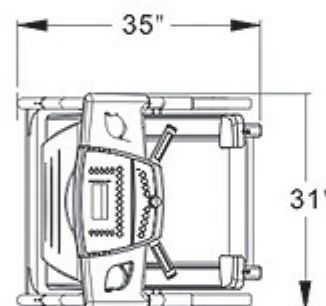
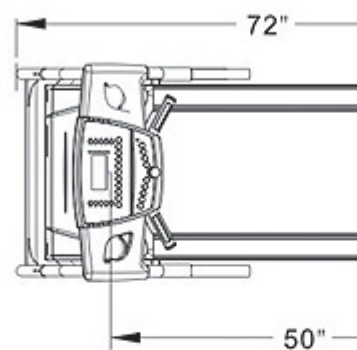
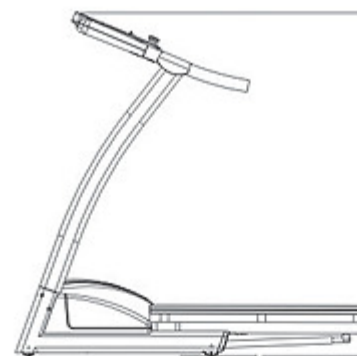
Folding design: Yes

Unfolded dimension: 72" x 31" x 52"

Folded dimension: 35" x 31" x 63"

Carton dimension: 77" x 35" x 15"

Weight: N.W. / 185 lbs G.W./ 208 lbs



Spirit

Office Spirit Fitness

800-851-0007