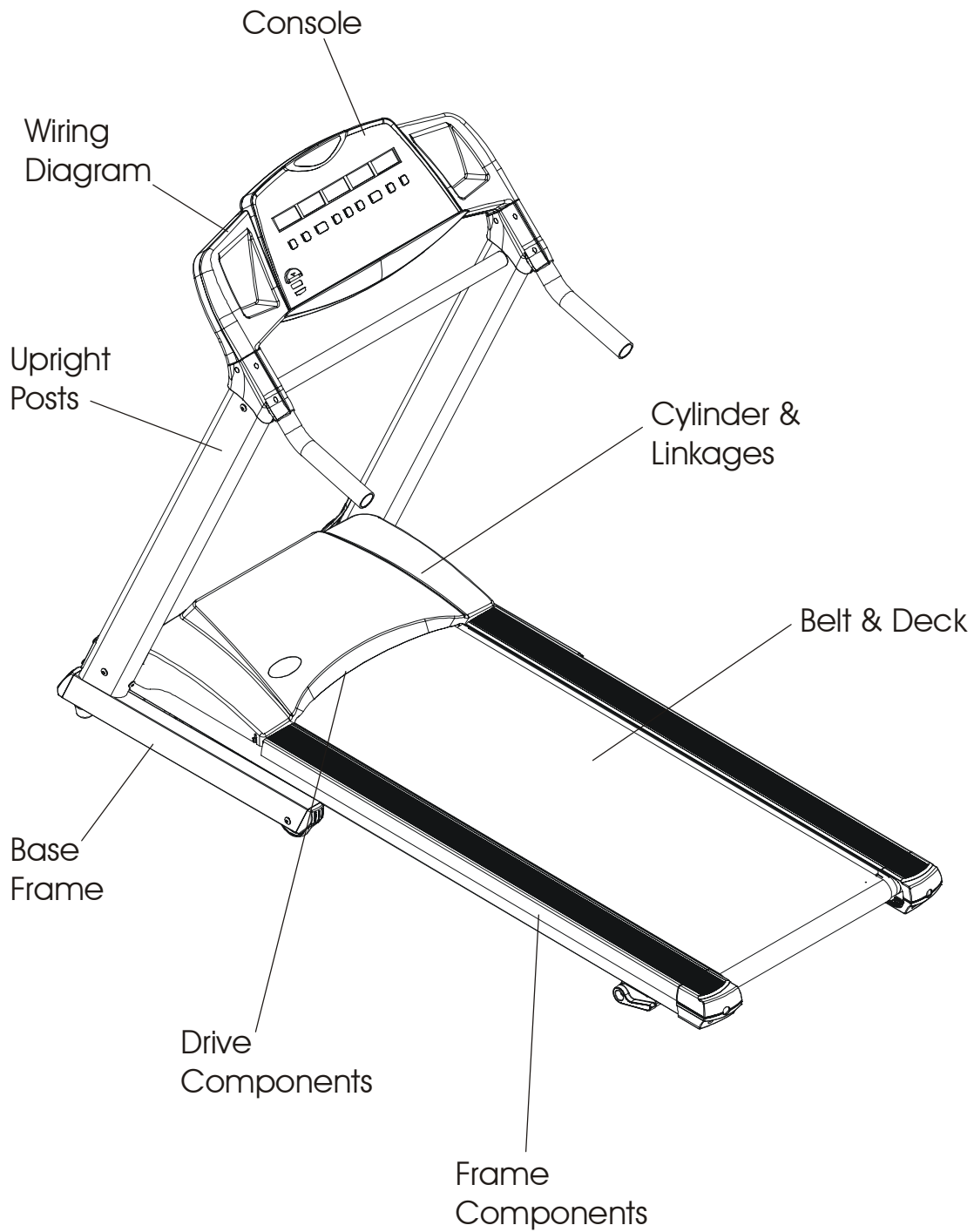


Essential Treadmill - TRFT4-XXXX-01

Unit Assembly

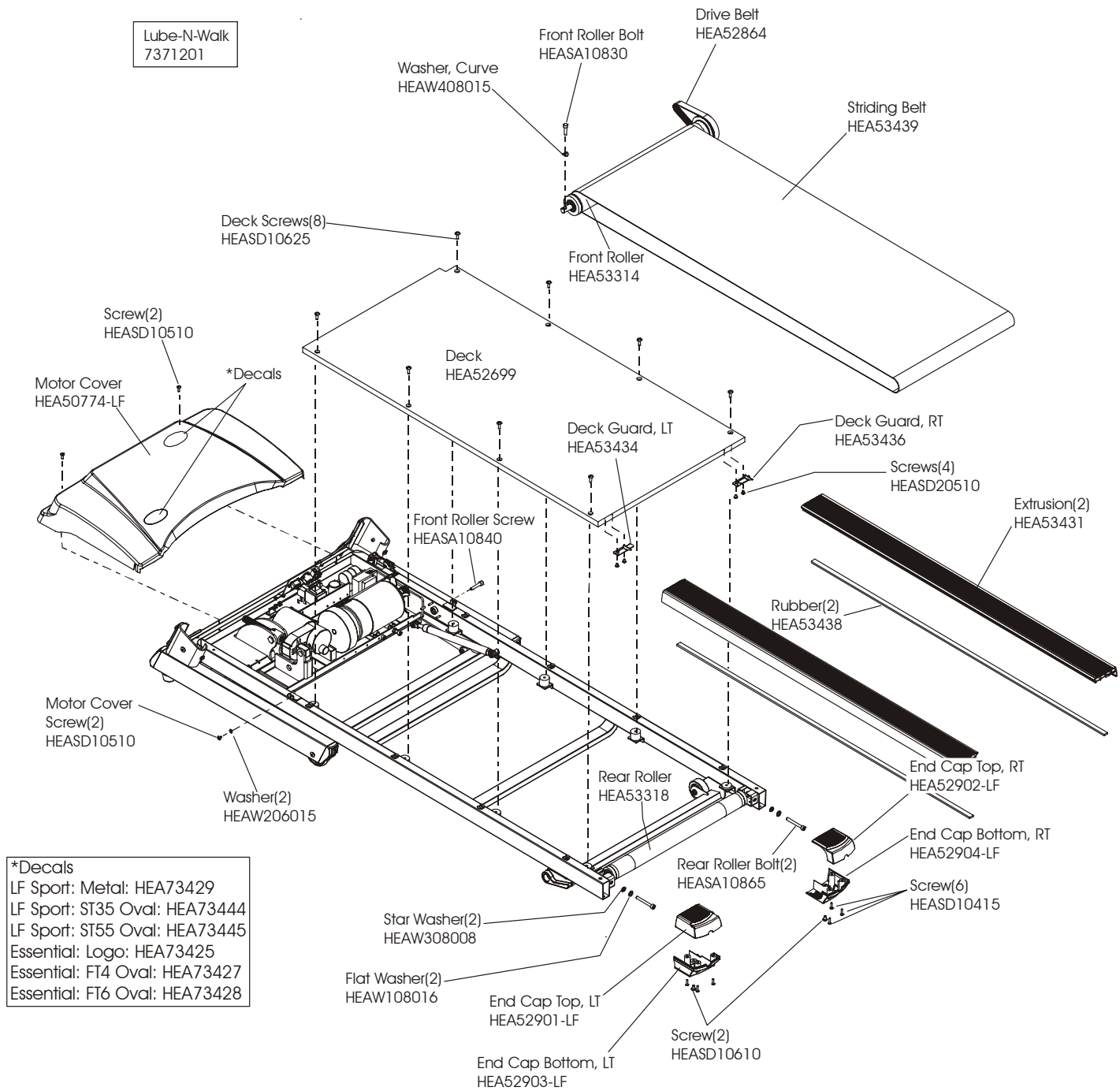


Example of Starting Serial # ST55070103000001

ST55	07	0211	000001
MODEL #	PLANT #	YEAR/MONTH	SERIAL NUMBER

Essential Treadmill - TRFT4-XXXX-01

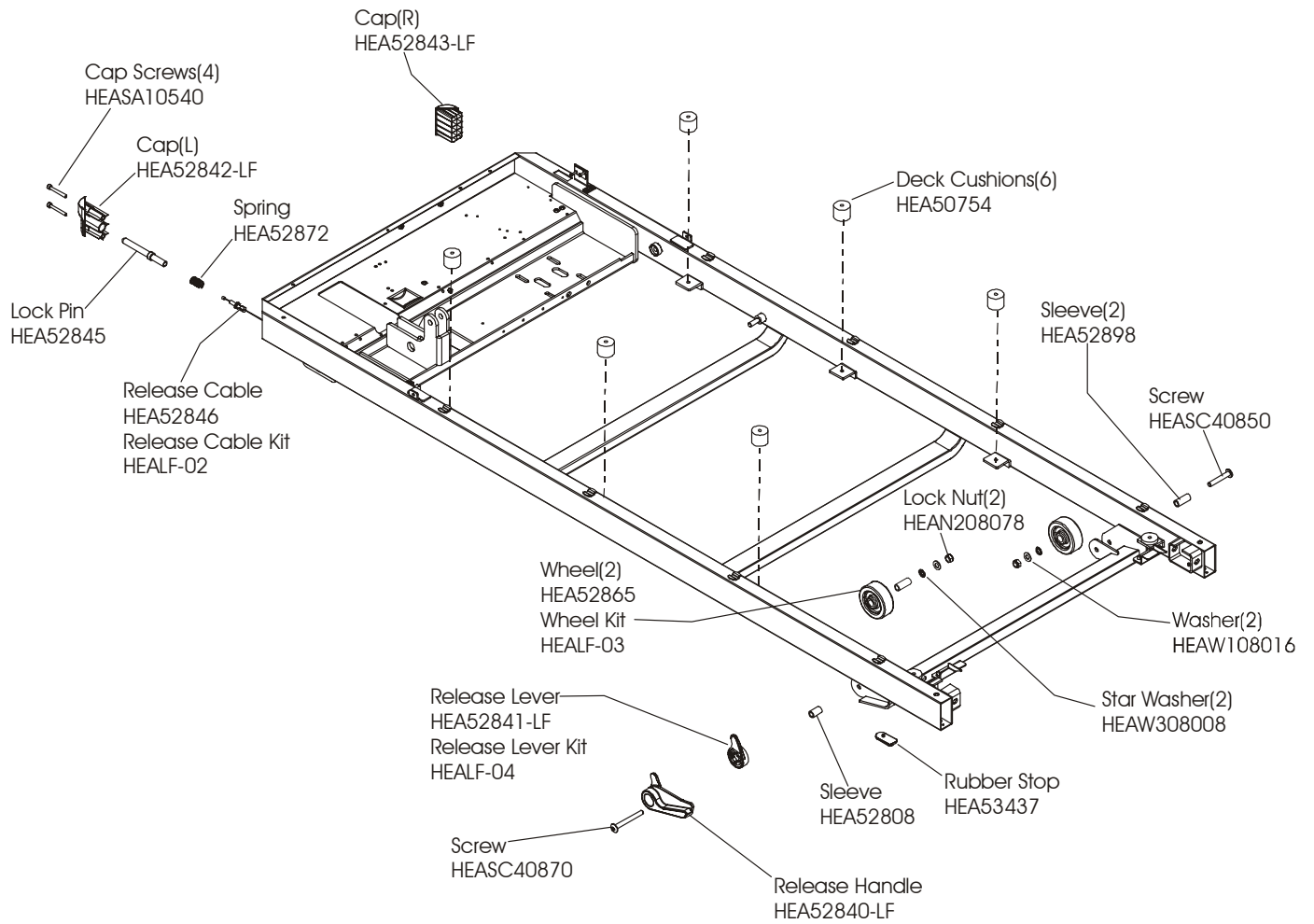
Belt and Deck



- *Decals
- LF Sport: Metal: HEA73429
 - LF Sport: ST35 Oval: HEA73444
 - LF Sport: ST55 Oval: HEA73445
 - Essential: Logo: HEA73425
 - Essential: FT4 Oval: HEA73427
 - Essential: FT6 Oval: HEA73428

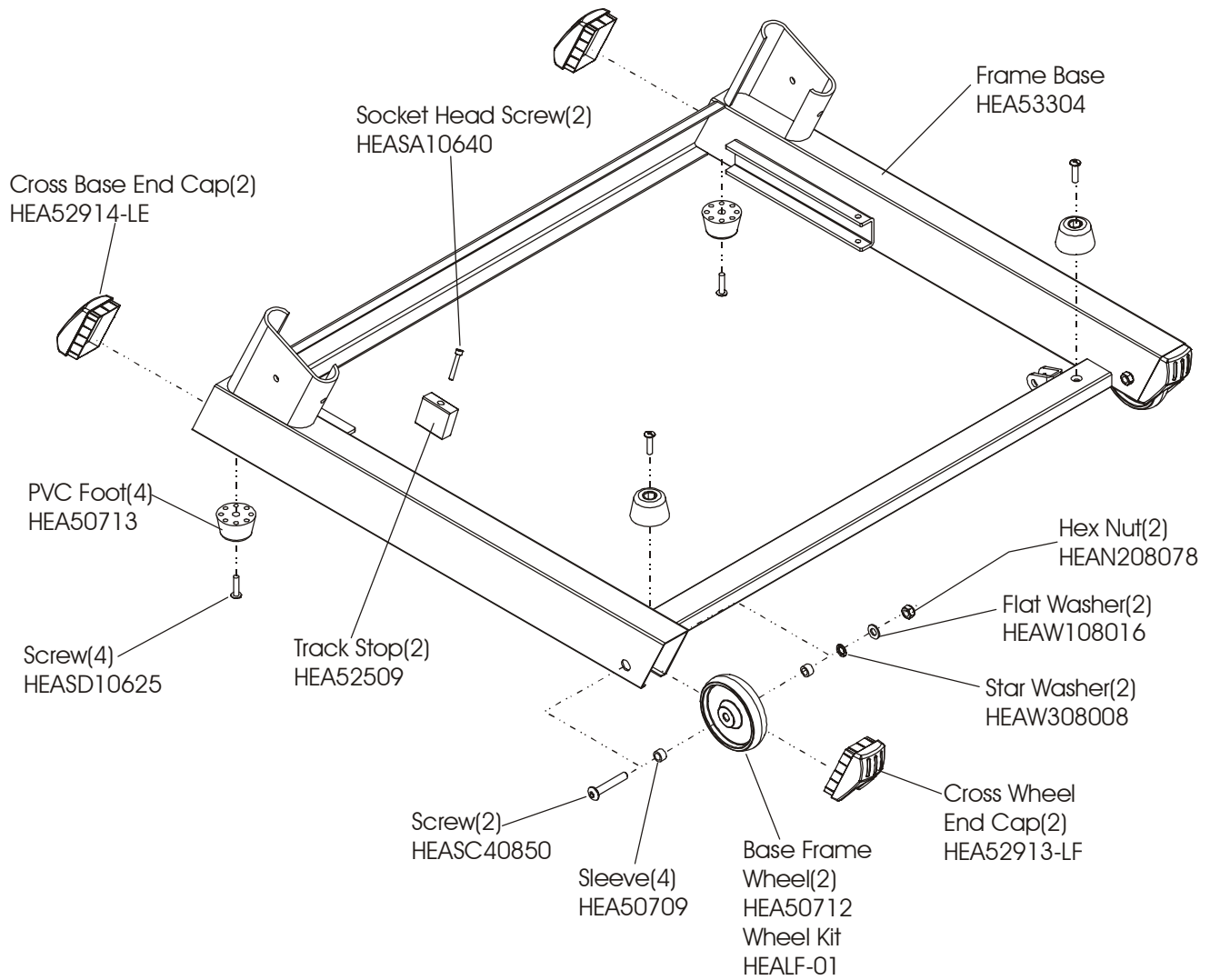
Essential Treadmill - TRFT4-XXXX-01

Frame Components



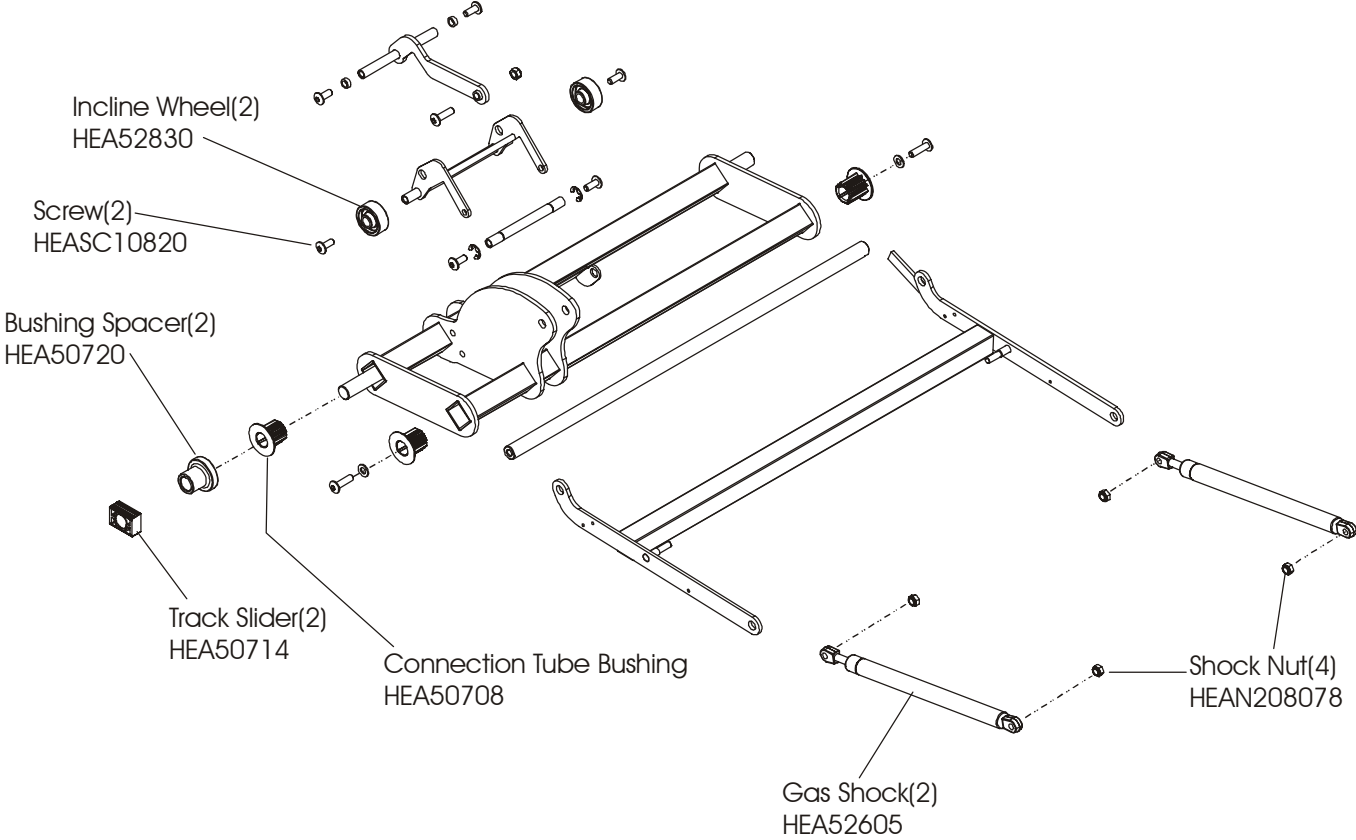
Essential Treadmill - TRFT4-XXXX-01

Base Frame



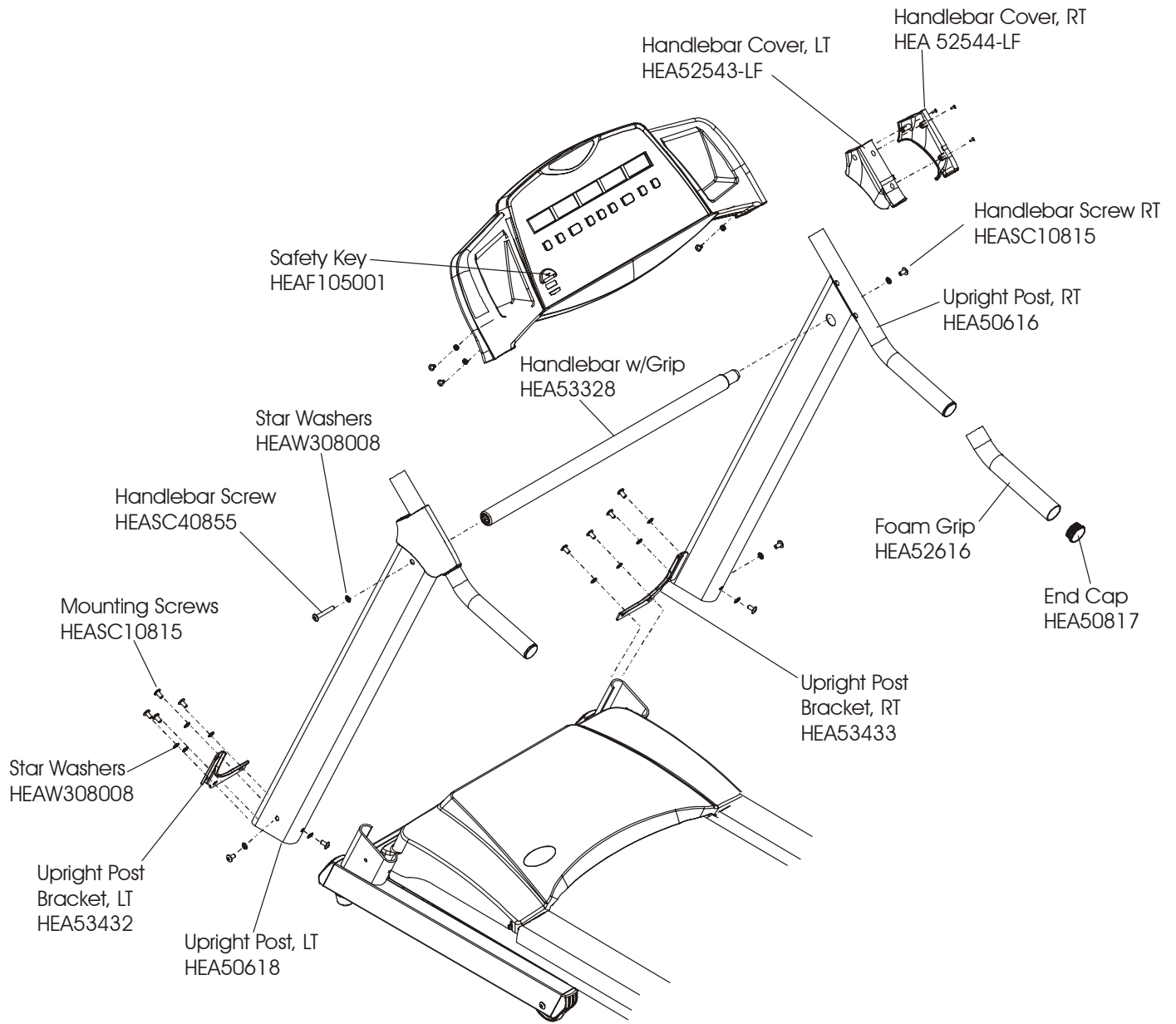
Essential Treadmill - TRFT4-XXXX-01

Cylinder and Linkages



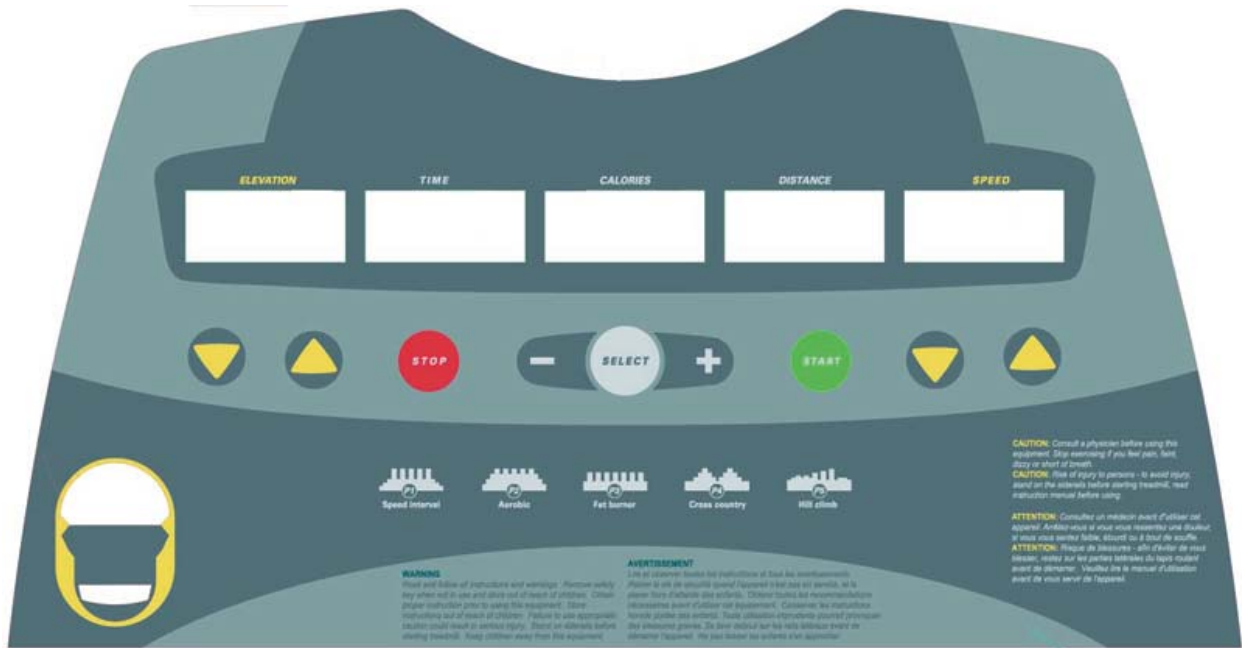
Essential Treadmill - TRFT4-XXXX-01

Upright Posts



Note: Hardware Bag, HEALF-05

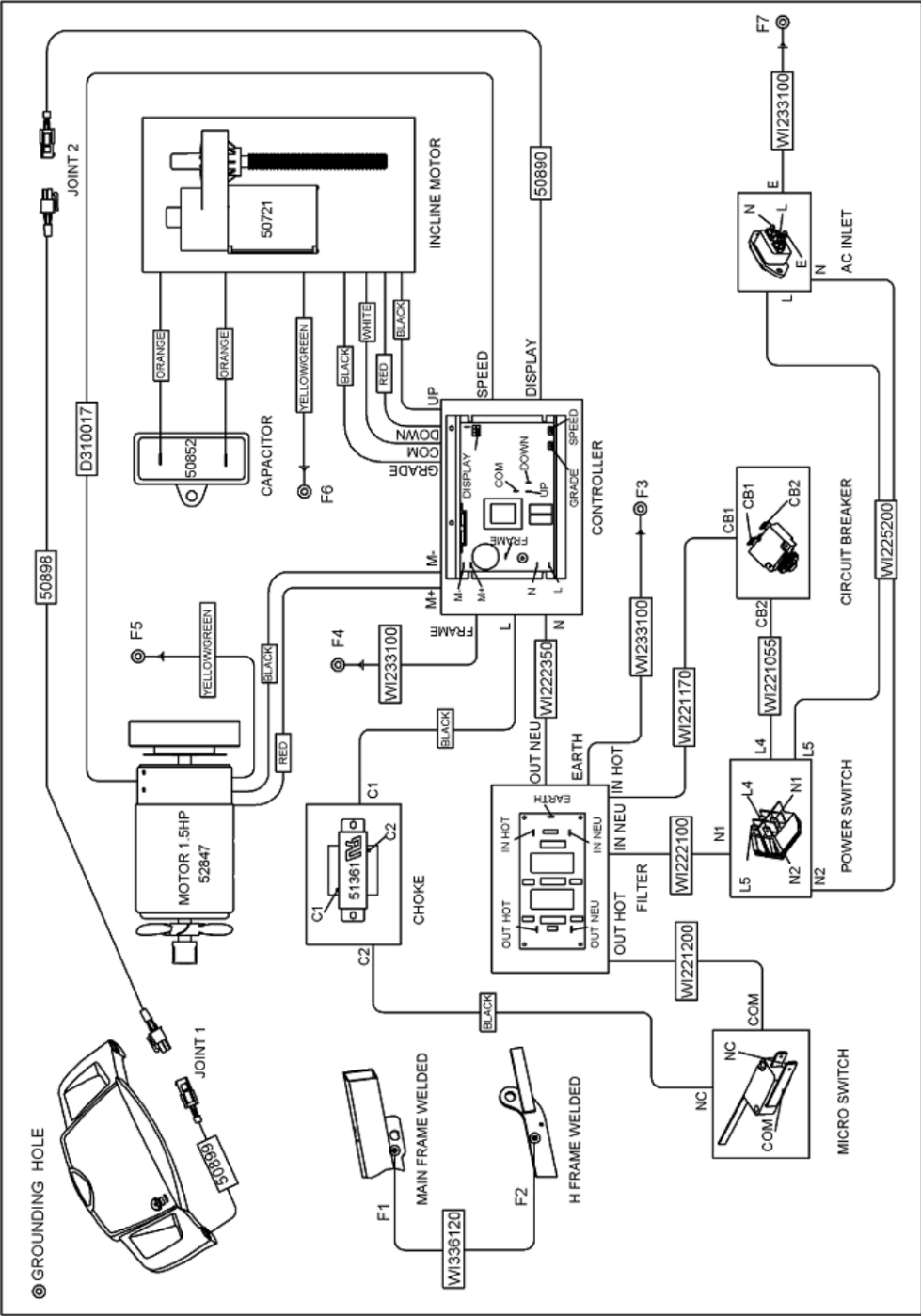
Essential Treadmill - TRFT4-XXXX-01 T810 Console



Model Number	Language/ Units	Overlay	PCB	Console No Decals	Console Decals
TRST35-0000-01	Eng/Eng	HEA73424	HEAD105013	HEALD-5W0M10-LF01	HEA73430 (2)
TRST35-0100-01	Eng/Met	HEA73424	HEAD105014	HEALD-5WK012-LF01	HEA73430 (2)
TRFT4-0000-01	Eng/Eng	HEA73424	HEAD105013	HEALD-5W0M10-LF01	HEA73420 (2)
TRFT4-0100-01	Eng/Met	HEA73424	HEAD105014	HEALD-5WK012-LF01	HEA73426 (2)

Essential Treadmill - TRFT4-XXXX-01

Wiring Diagram



Description	Part Number
Power Cord ASU/CA	HEA50889-A
HEA: European Line Cord	HEA50889-B
HEA: Australian Line Cord	HEA50889-CA
HEA: UK Line Cord	HEA50889-E