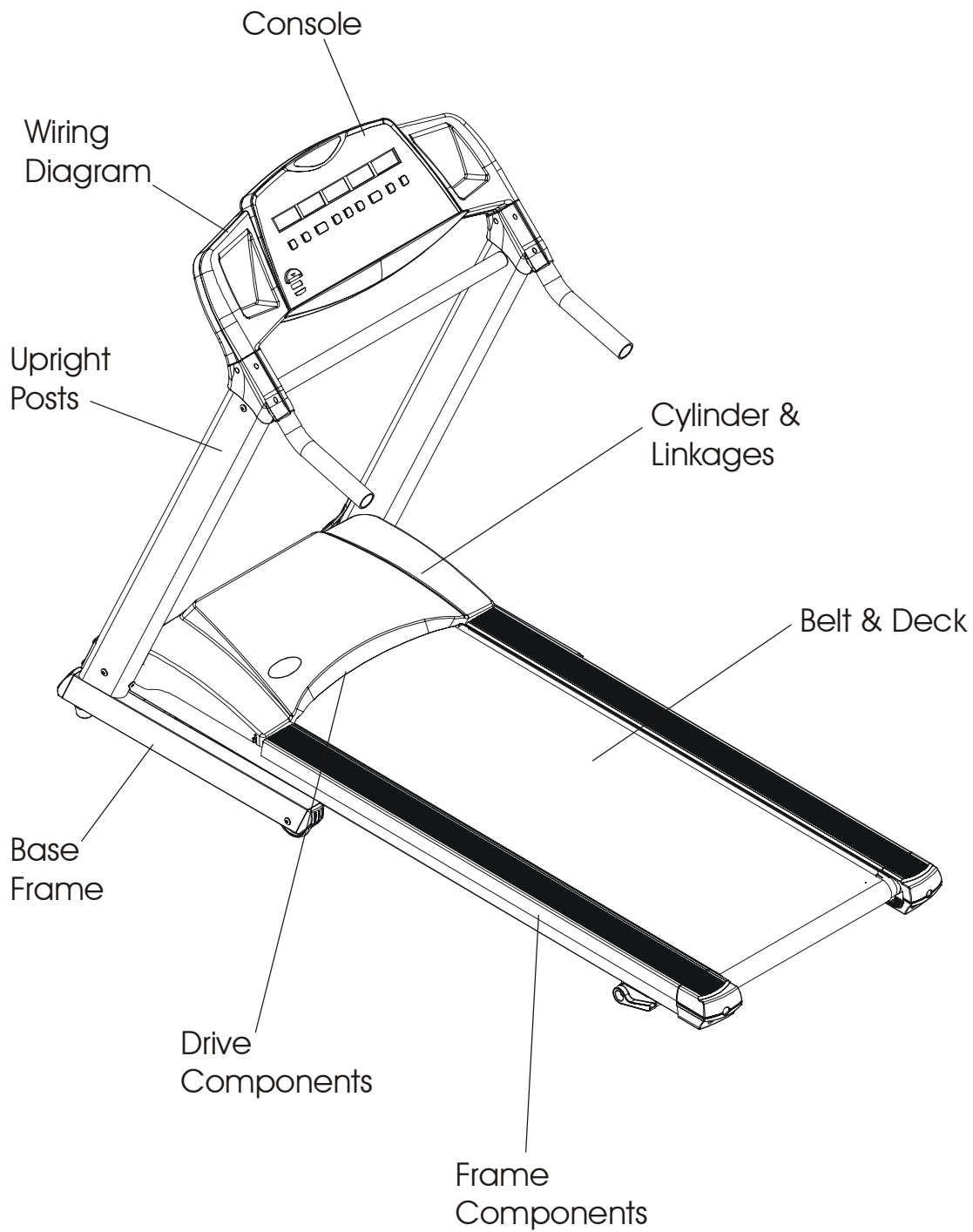


LF Sport Treadmill - TRST35-XXXX-01

Unit Assembly

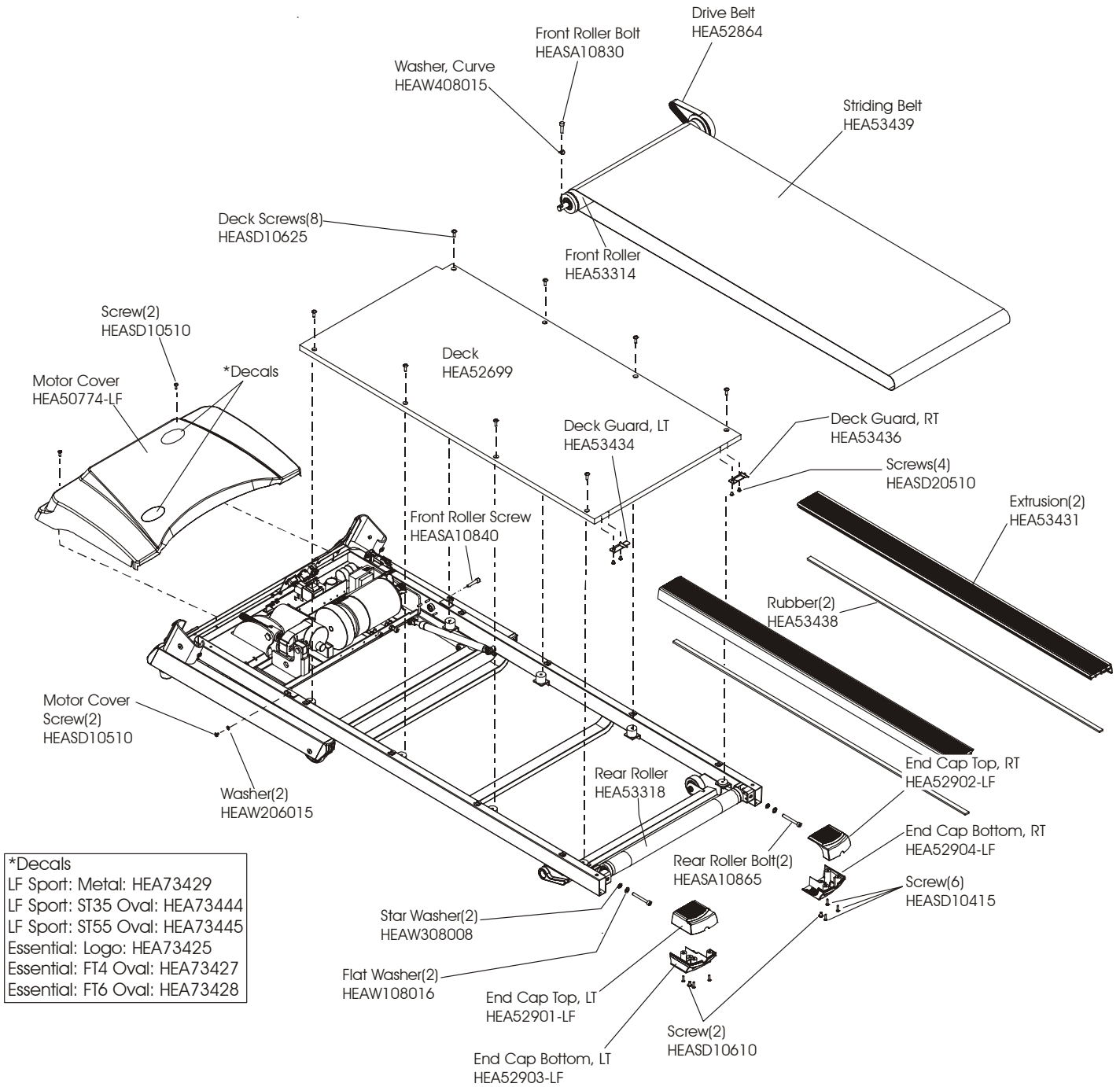


rev. 04/26/06

LF Sport Treadmill - TRST35-XXXX-01

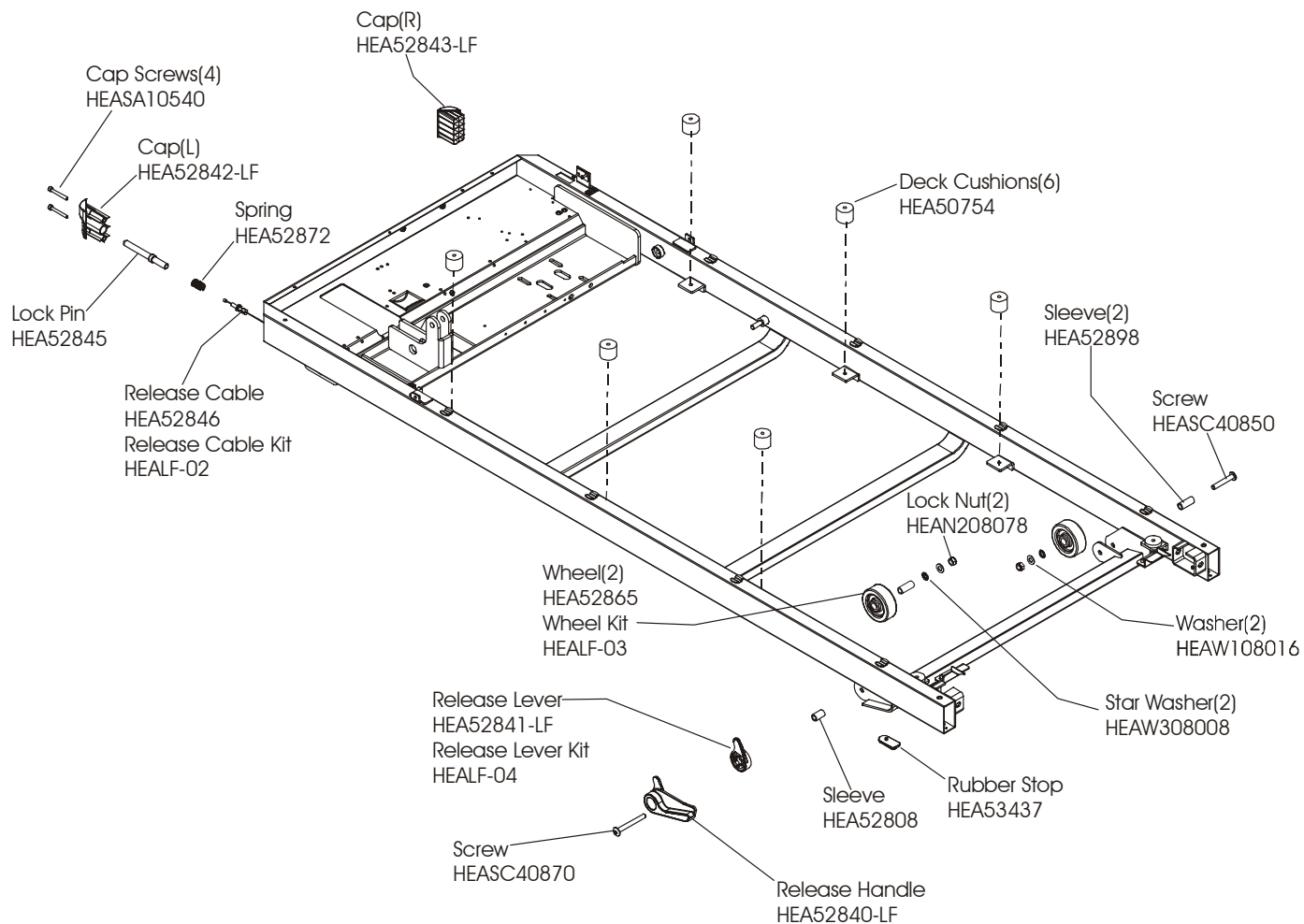
Belt and Deck

Lube-N-Walk
7371201



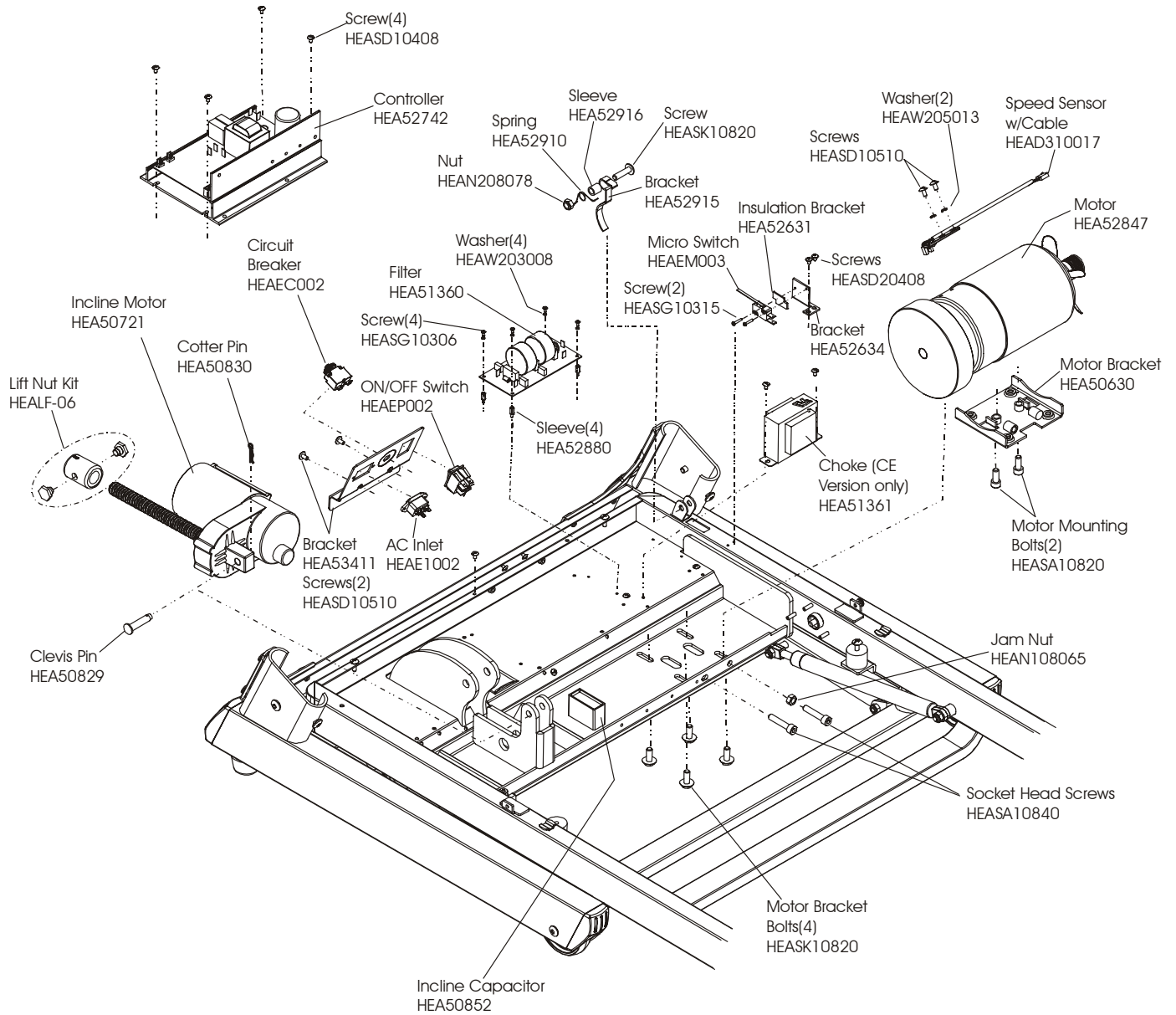
LF Sport Treadmill - TRST35-XXXX-01

Frame Components



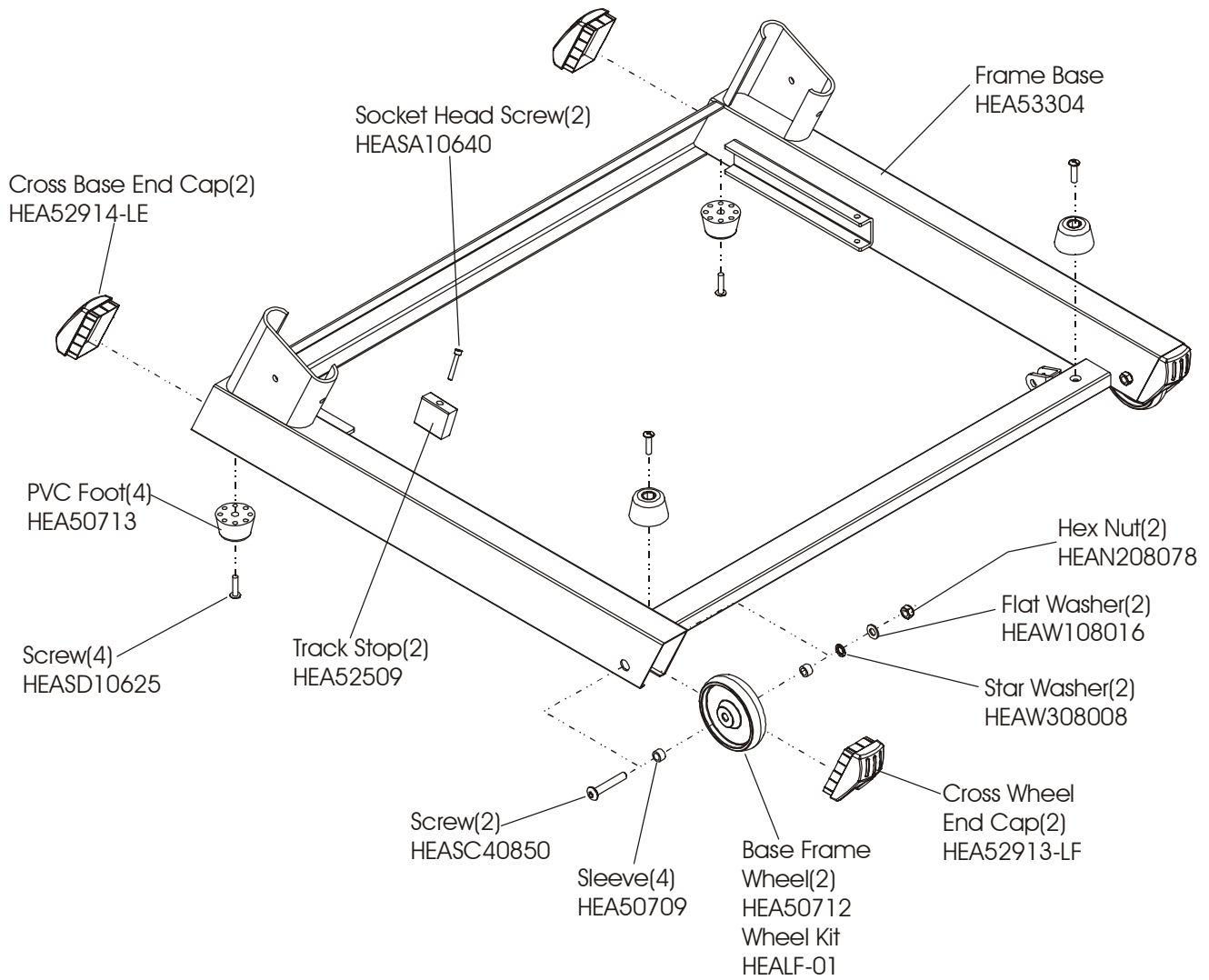
LF Sport Treadmill - TRST35-XXXX-01

Drive Components



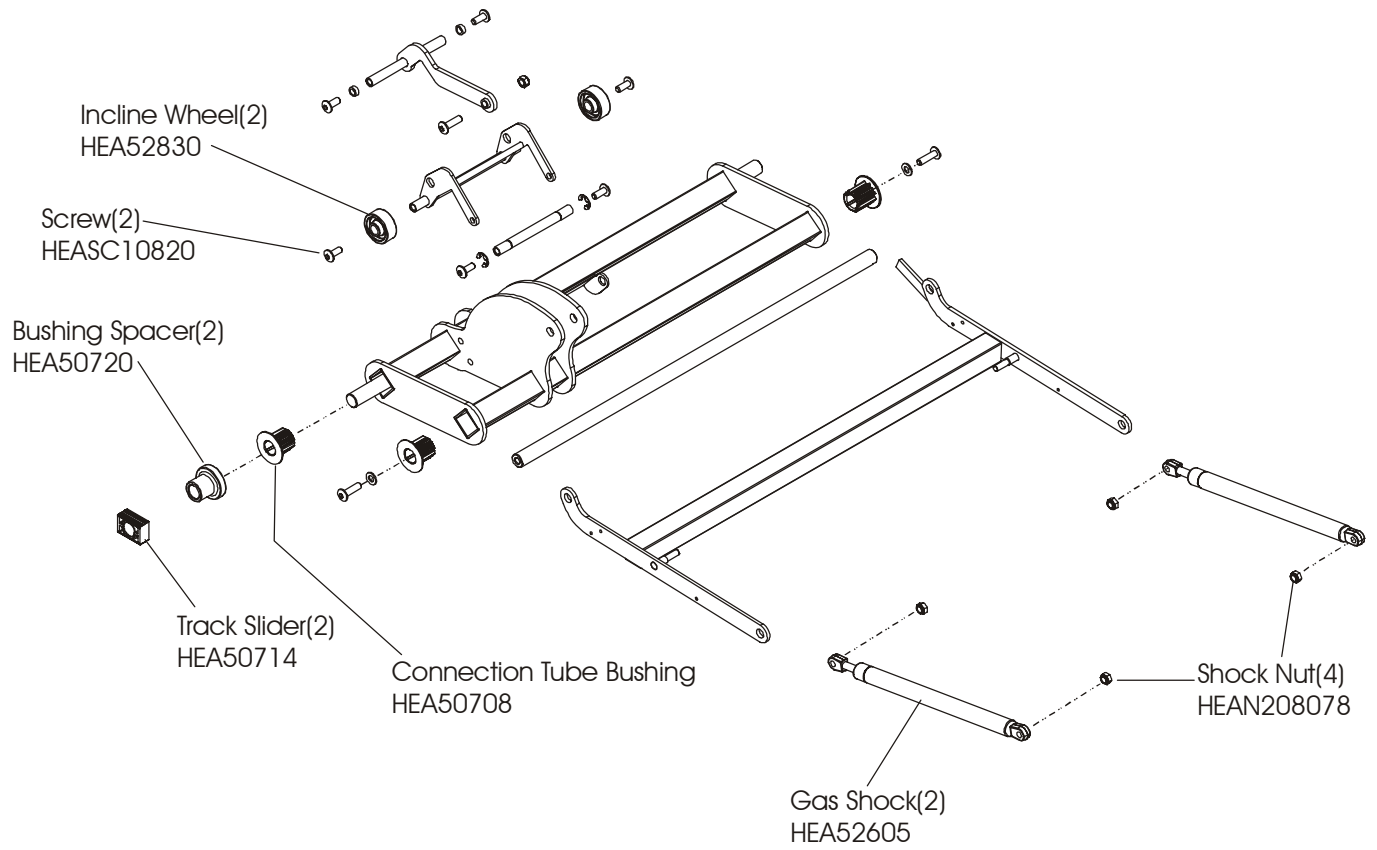
LF Sport Treadmill - TRST35-XXXX-01

Base Frame



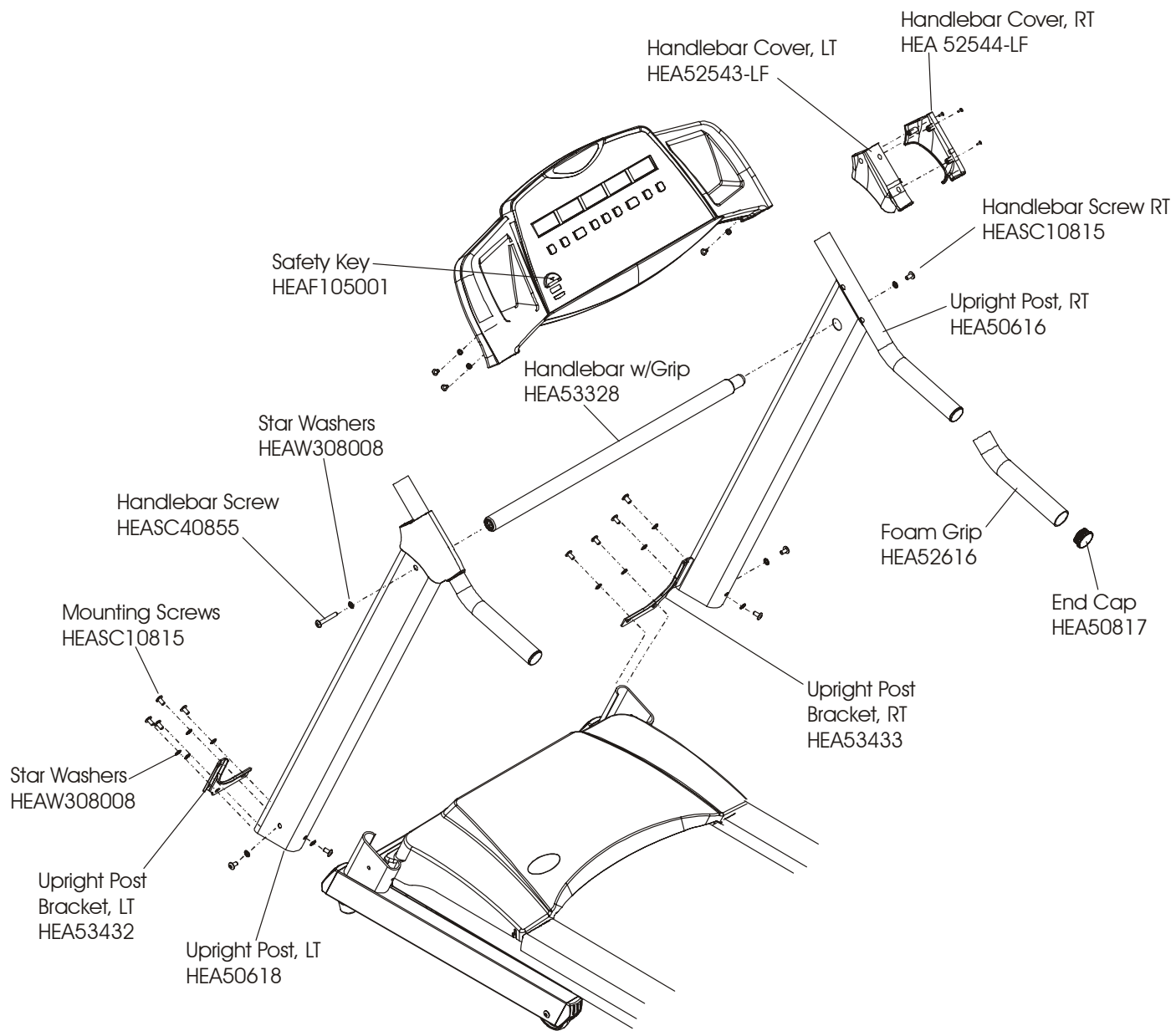
LF Sport Treadmill - TRST35-XXXX-01

Cylinder and Linkages



LF Sport Treadmill - TRST35-XXXX-01

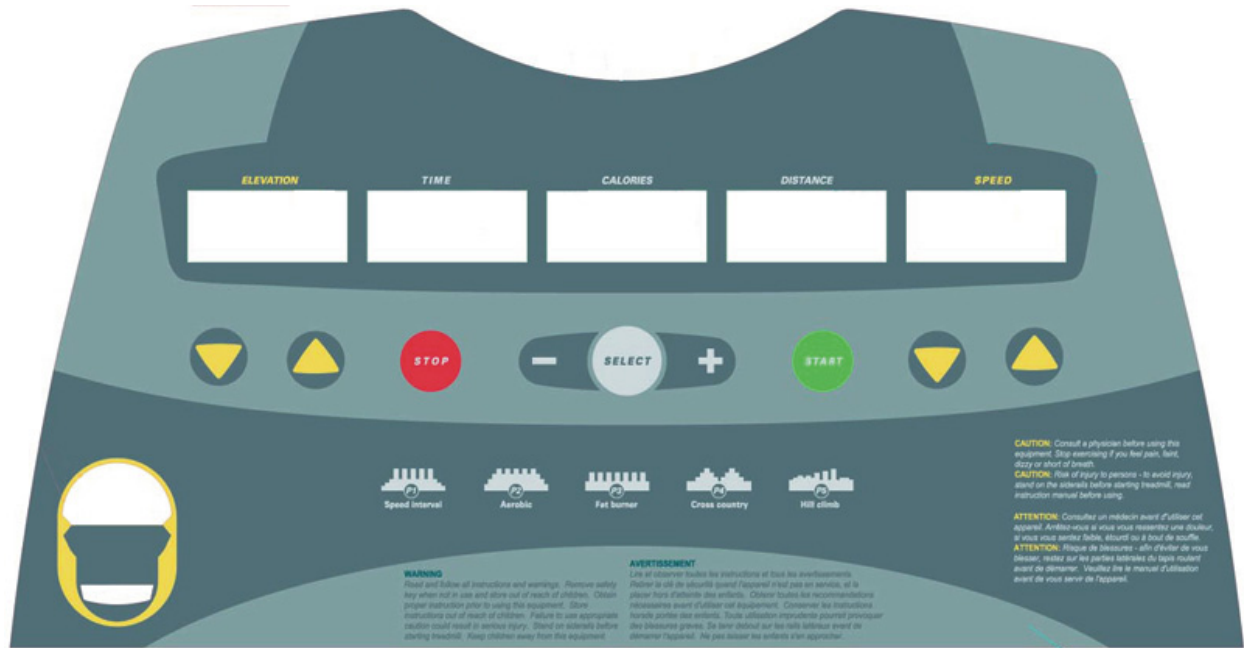
Upright Posts



Note: Hardware Bag, HEALF-05

LF Sport Treadmill - TRST35-XXXX-01

T810 Console



Model Number	Language/ Units	Overlay	PCB	Console No Decals	Console Decals
TRST35-0000-01	Eng/Eng	HEA73424	HEAD105013	HEALD-5W0M10-LF01	HEA73430 (2)
TRST35-0100-01	Eng/Met	HEA73424	HEAD105014	HEALD-5WK012-LF01	HEA73430 (2)
TRFT4-0000-01	Eng/Eng	HEA73424	HEAD105013	HEALD-5W0M10-LF01	HEA73420 (2)
TRFT4-0100-01	Eng/Met	HEA73424	HEAD105014	HEALD-5WK012-LF01	HEA73426 (2)
TRST35-0101-01	Ger/Met	HEAK70061	-	-	-

