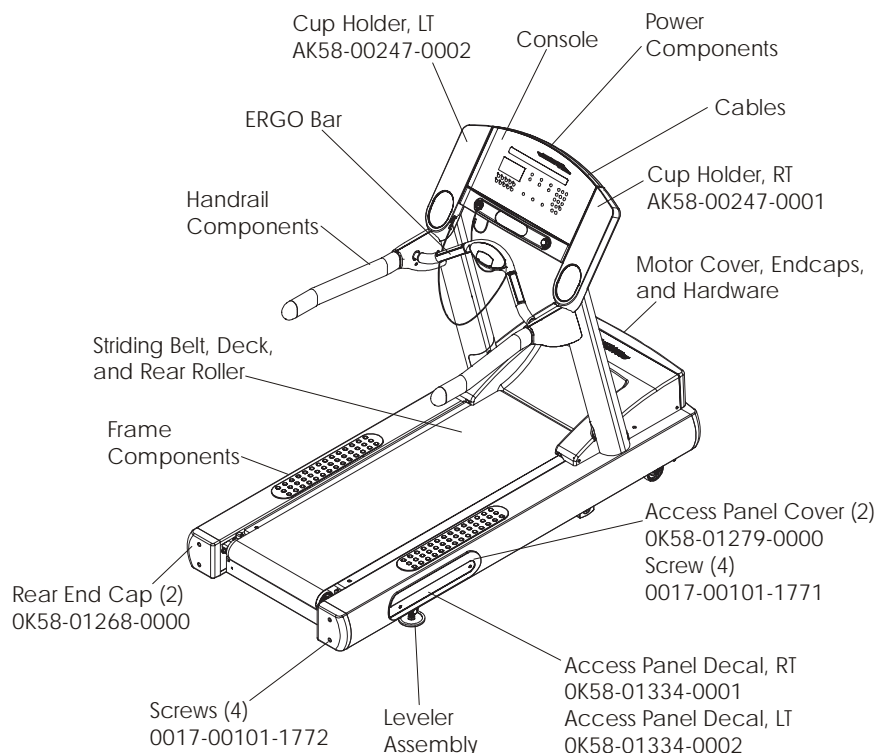


Treadmill 95Ti

General Assembly

95T-XXXX-01
S/N TTI100000



Touch-Up Paint	Color	Container
0017-00008-0196	Silver Bullet	Bottle
0017-00008-0197	Silver Bullet	Spray Can
0017-00008-0198	Stealth Gray	Bottle
0017-00008-0199	Stealth Gray	Spray Can

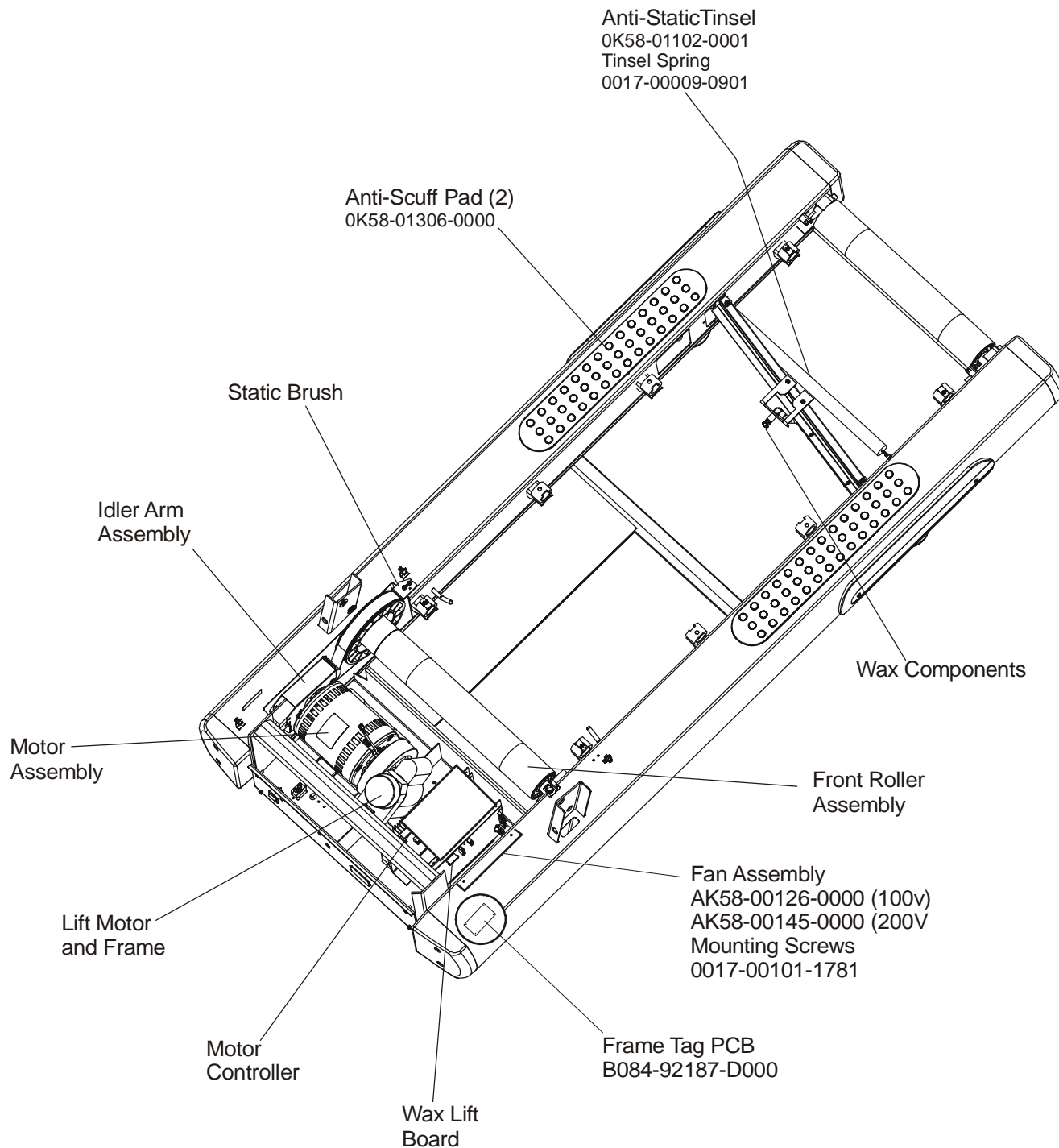
Manual/Video	Part Number
Operation Manual, Eng	M051-00K58-B080
Service Manual	M051-00K58-A097
Installation Video	M051-00K58-A098
Service Video	M051-00K58-A099

Unlabeled Parts	
Description	Part Number
SWITCH, ROCKER, 22A DPST	0017-00032-0198
FRAME: LIFT; WELDMENT E	OK58-01066-0000
SWITCH: STOP; ROUND	OK58-01321-0000
ENDCAP: HANDRAIL	OK58-01396-0000
CBL-ASSY: EMERGENCY-STOP C	AK58-00036-0000
CBL-ASSY: MOTOR SPEED PICKUP C	AK58-00037-0000
CBL-ASSY: H/R SENSORS C	AK58-00041-0001
CBL-ASSY: DRIVE MTR EXTENS C	AK58-00042-0001
CBL-ASSY: CAP/POWER-FACTOR C	AK58-00077-0001
CBL-ASSY: HI-POT JUMPER B	AK58-00263-0000
GUARD-ASSY: MFG; RT; 3.50 B	AK58-00360-0001
GUARD-ASSY: MFG; LT; 3.50 B	AK58-00360-0002
CBL-ASSY: ZERO-NEGATIVE SW; 15" S/C-C	AK60-00009-0001
SIGN: FACILITY SAFETY; ENG B	M051-00K20-A409

Treadmill 95Ti

Frame Assembly

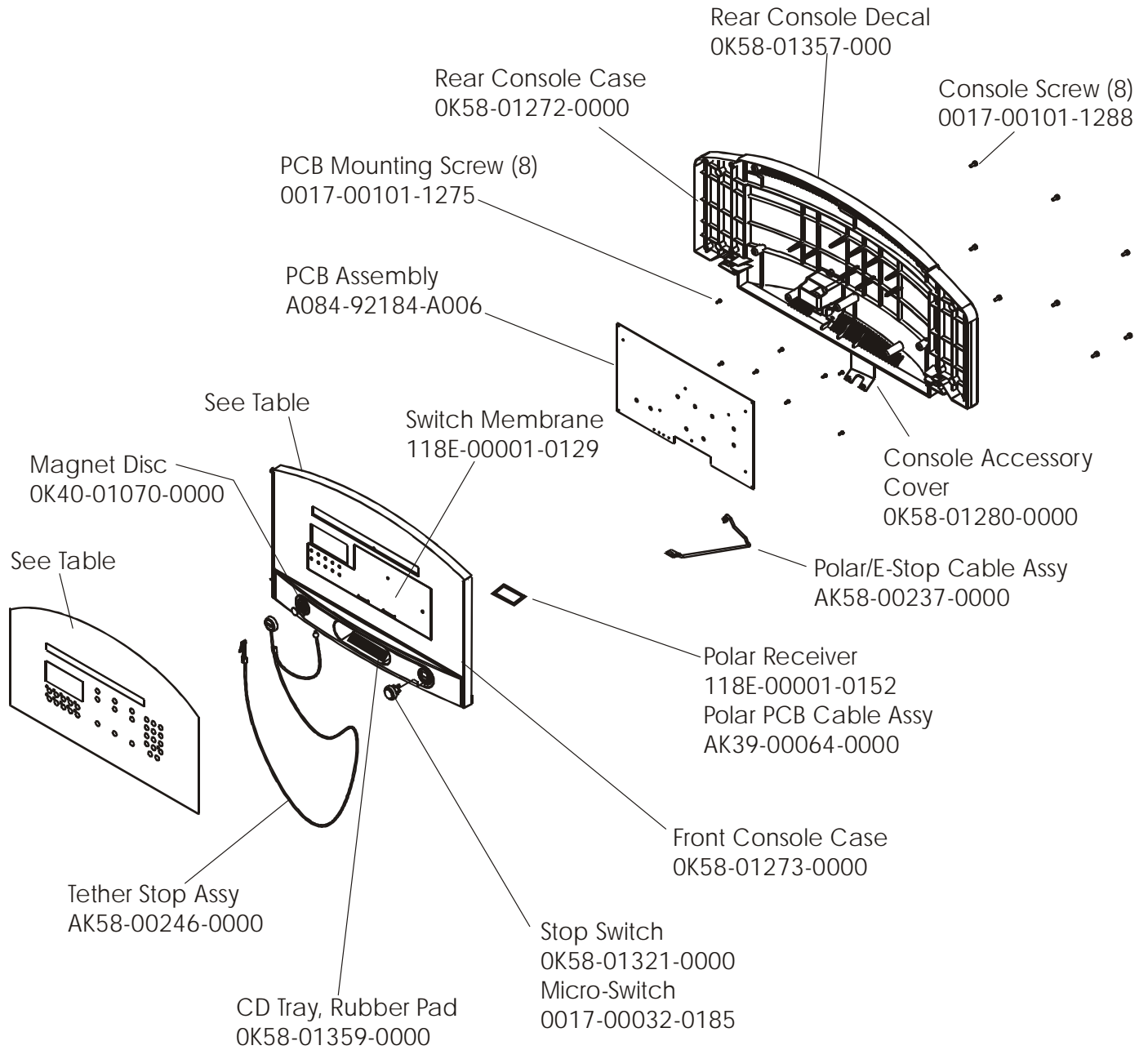
95T-XXXX-01
S/N TTI100000



Treadmill 95Ti

Console Assembly

95T-XXXX-01
S/N TTI100000



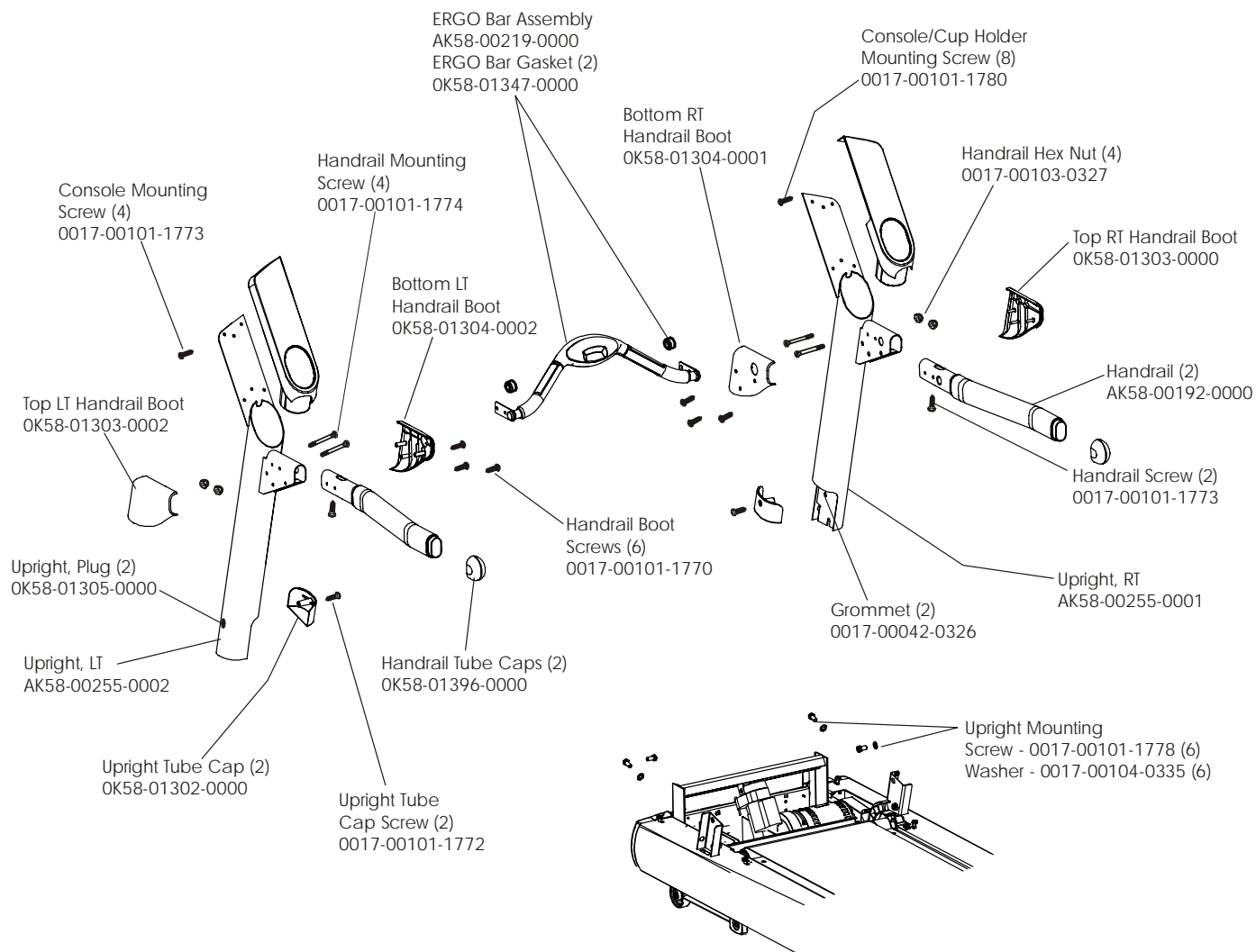
Console Assembly	Overlay Switch Bezel Assy	Overlay	Language
AK58-00197-0001	AK58-00203-0001	OK58-01298-0001	Eng/Met
AK58-00197-0002	AK58-00203-0001	OK58-01298-0001	Eng/Eur
AK58-00197-0003	AK58-00203-0003	OK58-01298-0003	German
AK58-00197-0004	AK58-00203-0004	OK58-01298-0004	Spanish
AK58-00197-0006	AK58-00203-0006	OK58-01298-0006	Japanese
AK58-00197-0007	AK58-00203-0007	OK58-01298-0007	French
AK58-00197-0008	AK58-00203-0008	OK58-01298-0008	Italian
AK58-00197-0009	AK58-00203-0009	OK58-01298-0009	Dutch
AK58-00197-00010	AK58-00203-0010	OK58-01298-00010	Portuguese
AK58-00197-00011	AK58-00203-0011	OK58-01298-00011	Chinese

Treadmill 95Ti

Handrail Assembly

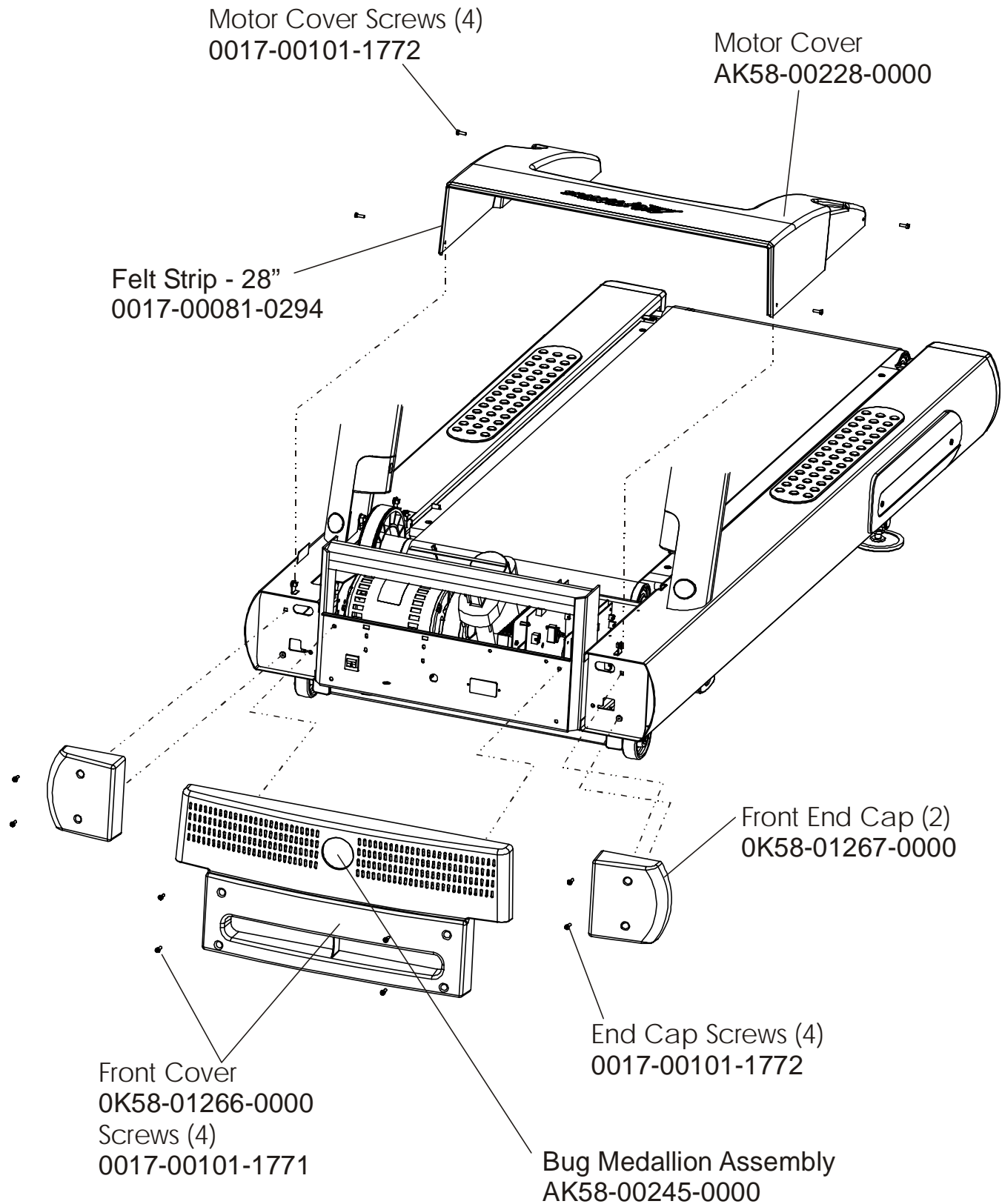
95T-XXXX-01
S/N TTI100000

Hardware Bag Assembly AK58-00226-0001



Treadmill 95Ti
Covers, End Caps, Hardware

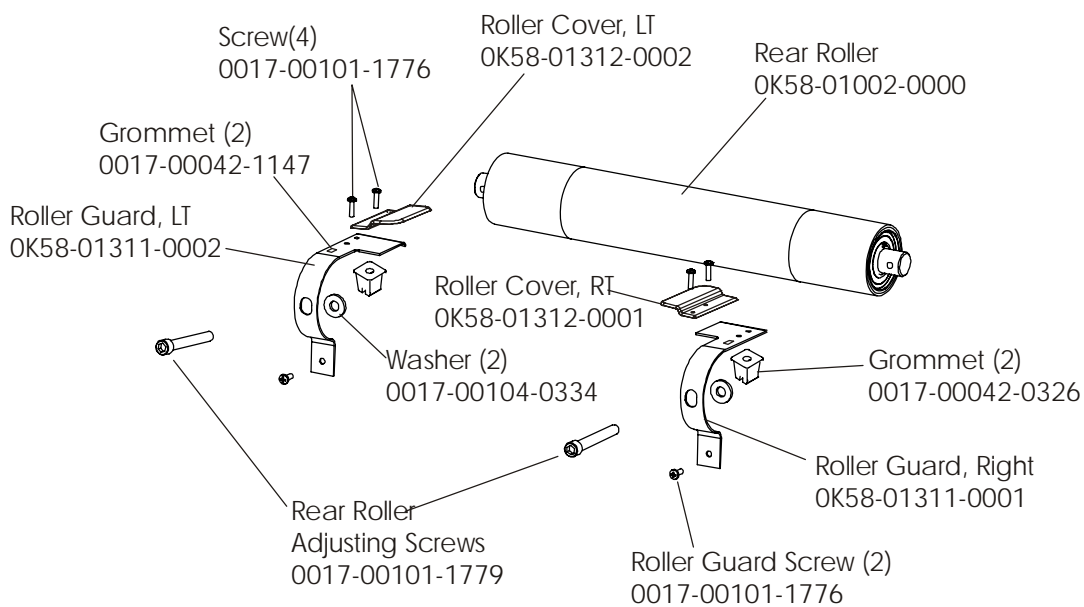
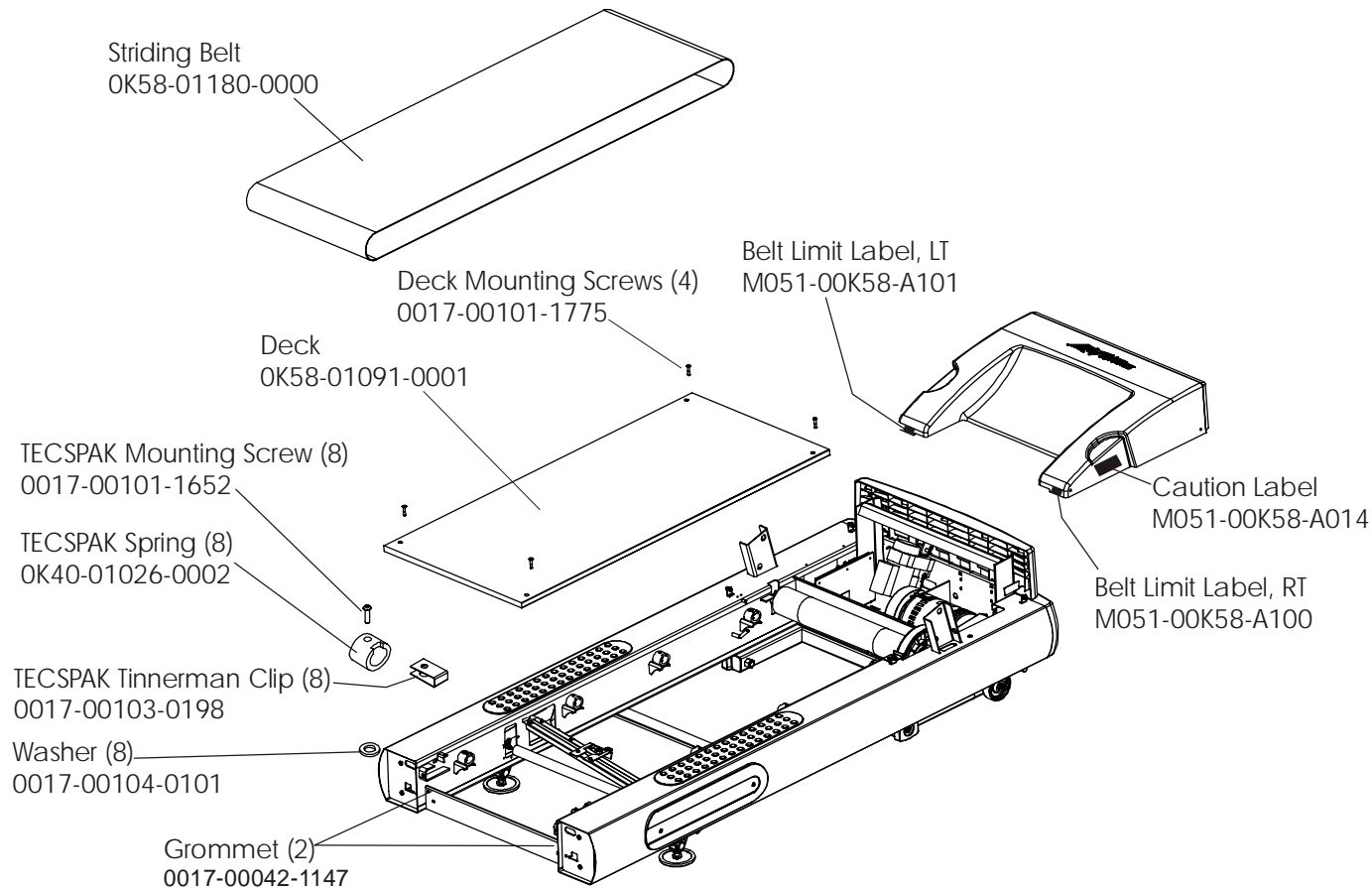
95T-XXXX-01
S/N TTI100000



Treadmill 95Ti

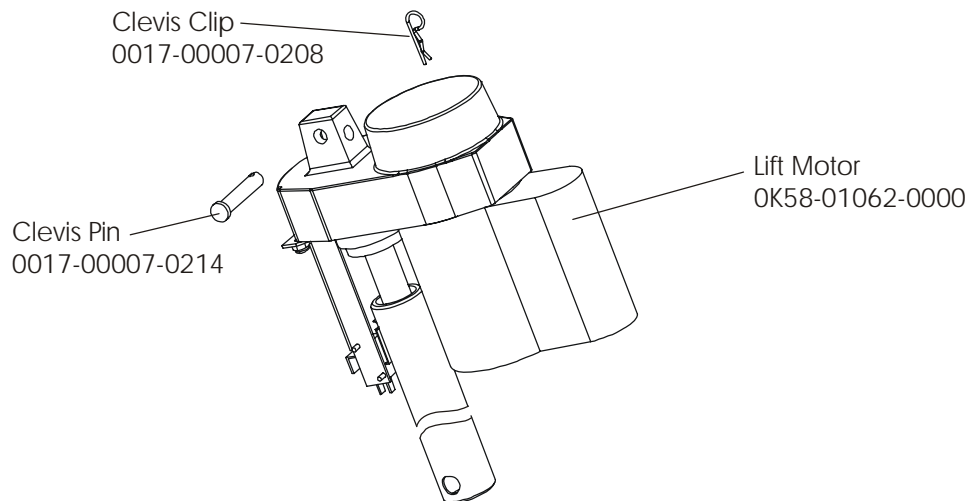
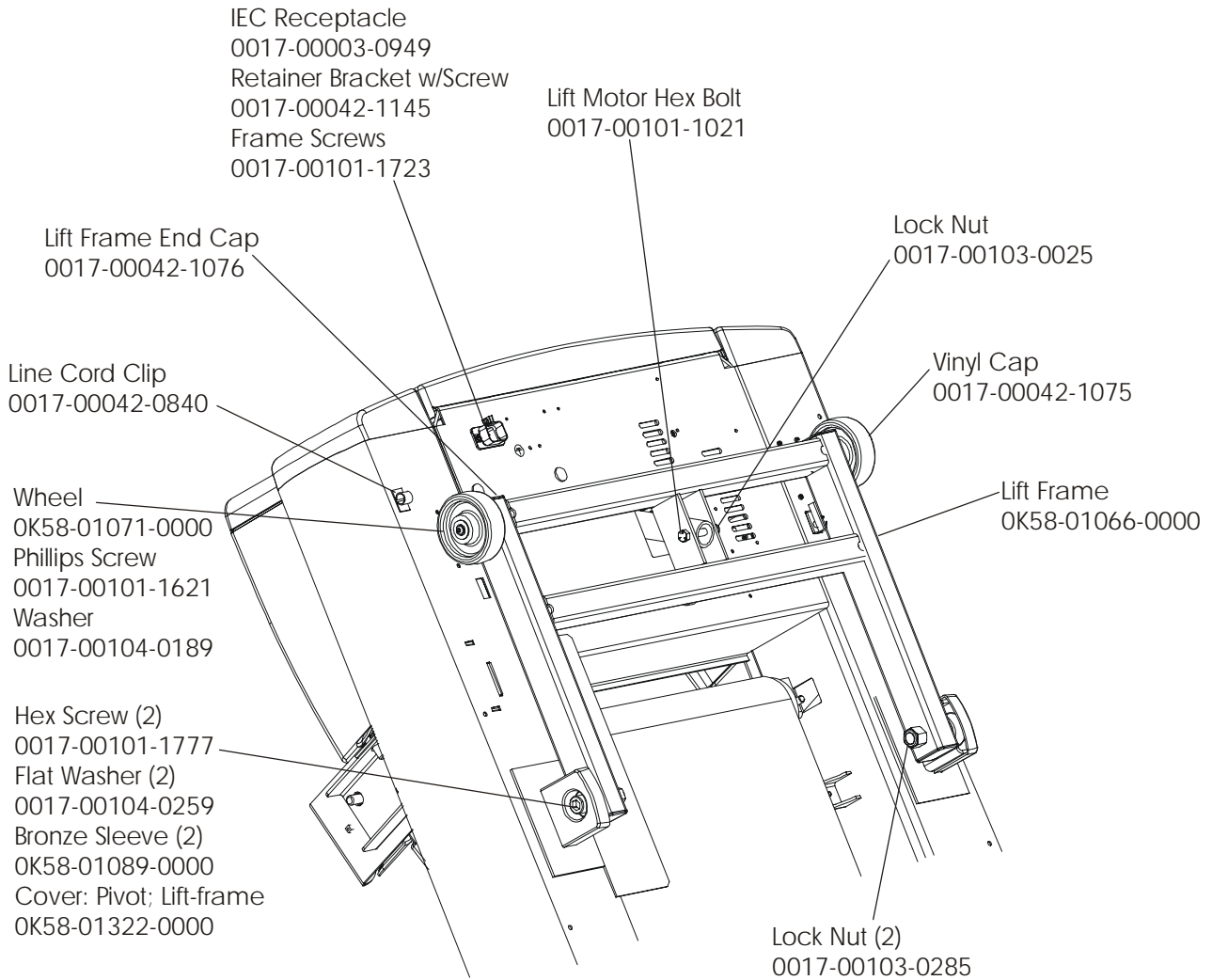
Belt, Deck, Rear Roller

95T-XXXX-01
S/N TTI100000



Treadmill 95Ti
Lift Motor and Frame

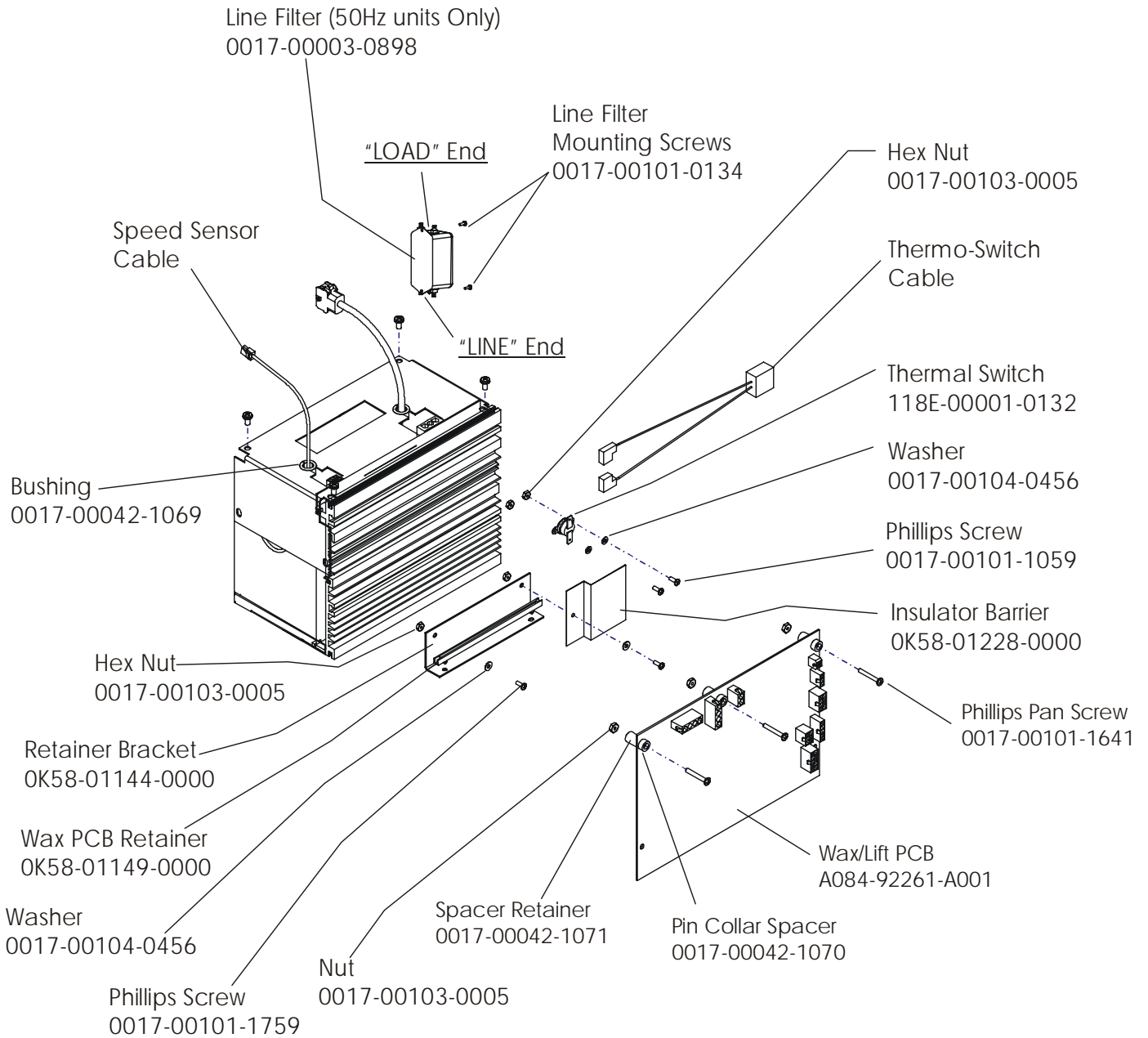
95T-XXXX-01
S/N TTI100000



Treadmill 95Ti
Wax/Lift & Motor Controller Assy

95T-XXXX-01
S/N TTI100000

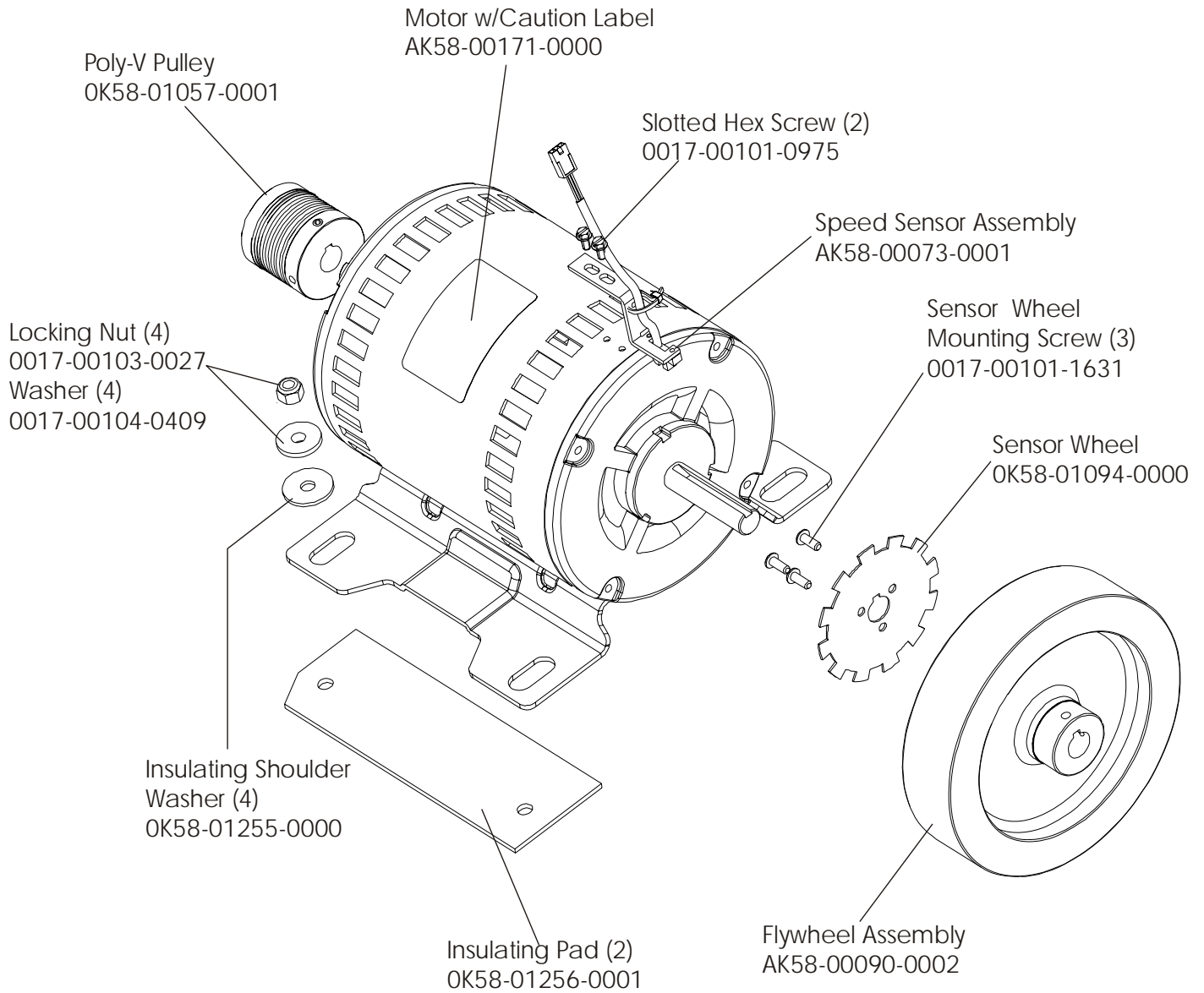
AK58-00153-0001 (120v/60Hz)
AK58-00153-0002 (230v/50Hz)



Treadmill 95Ti

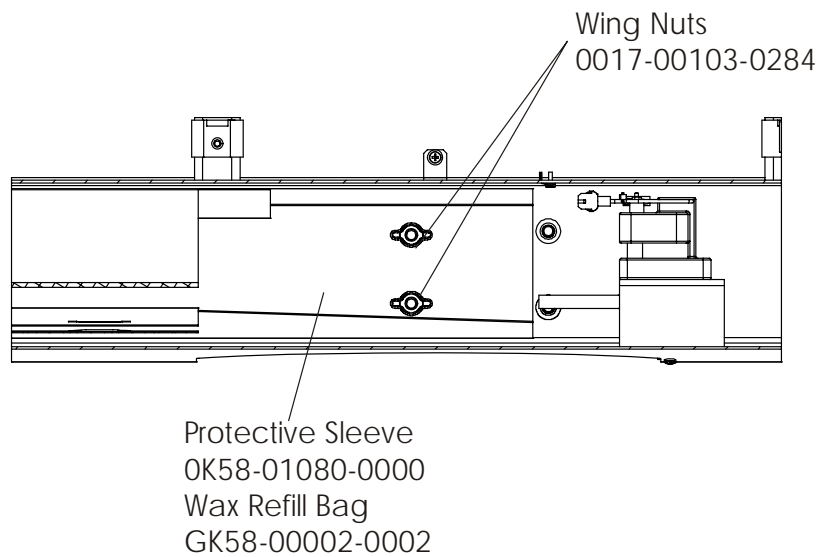
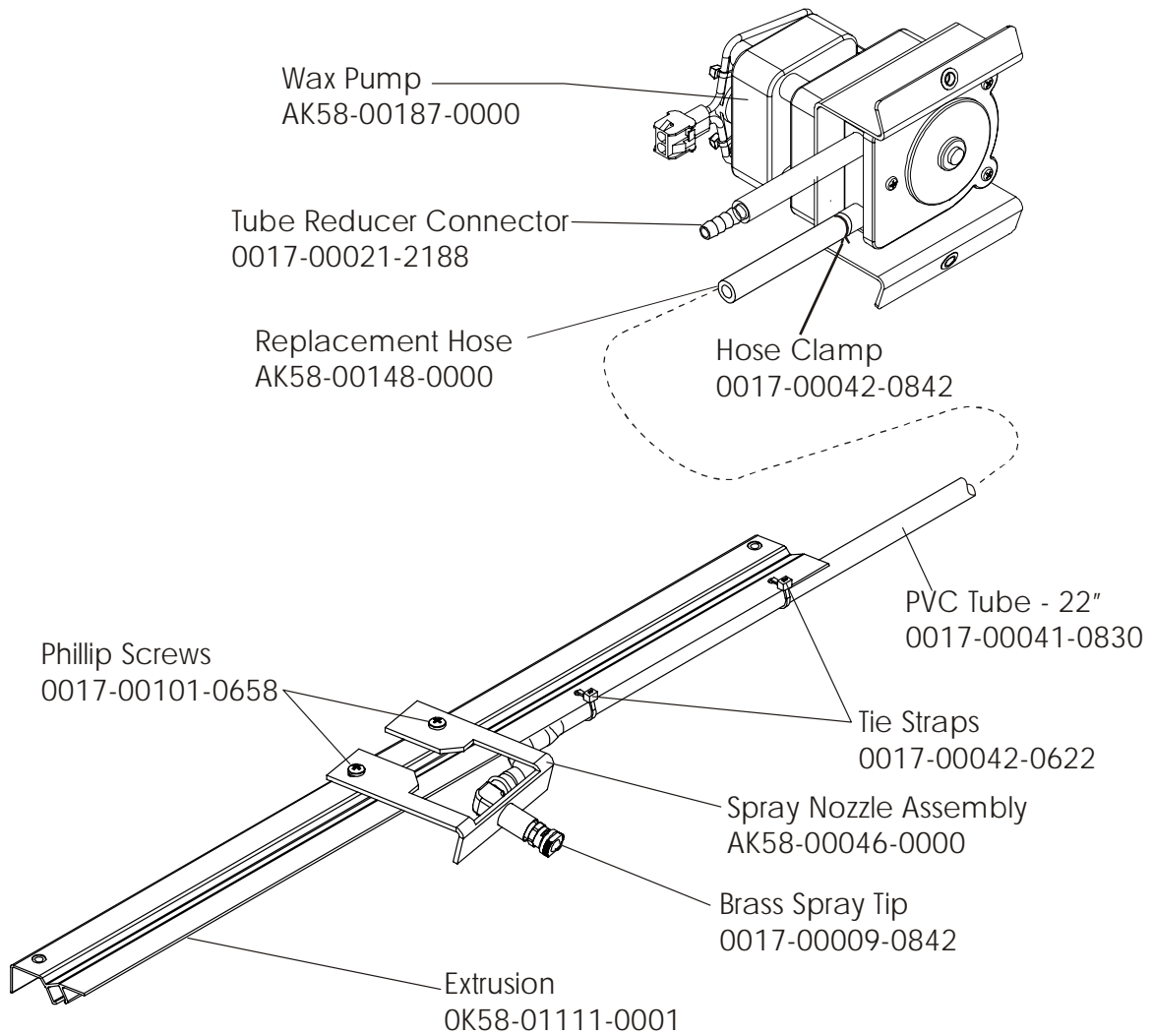
Drive Motor Assembly

95T-XXXX-01
S/N TTI100000



Treadmill 95Ti
Wax Components

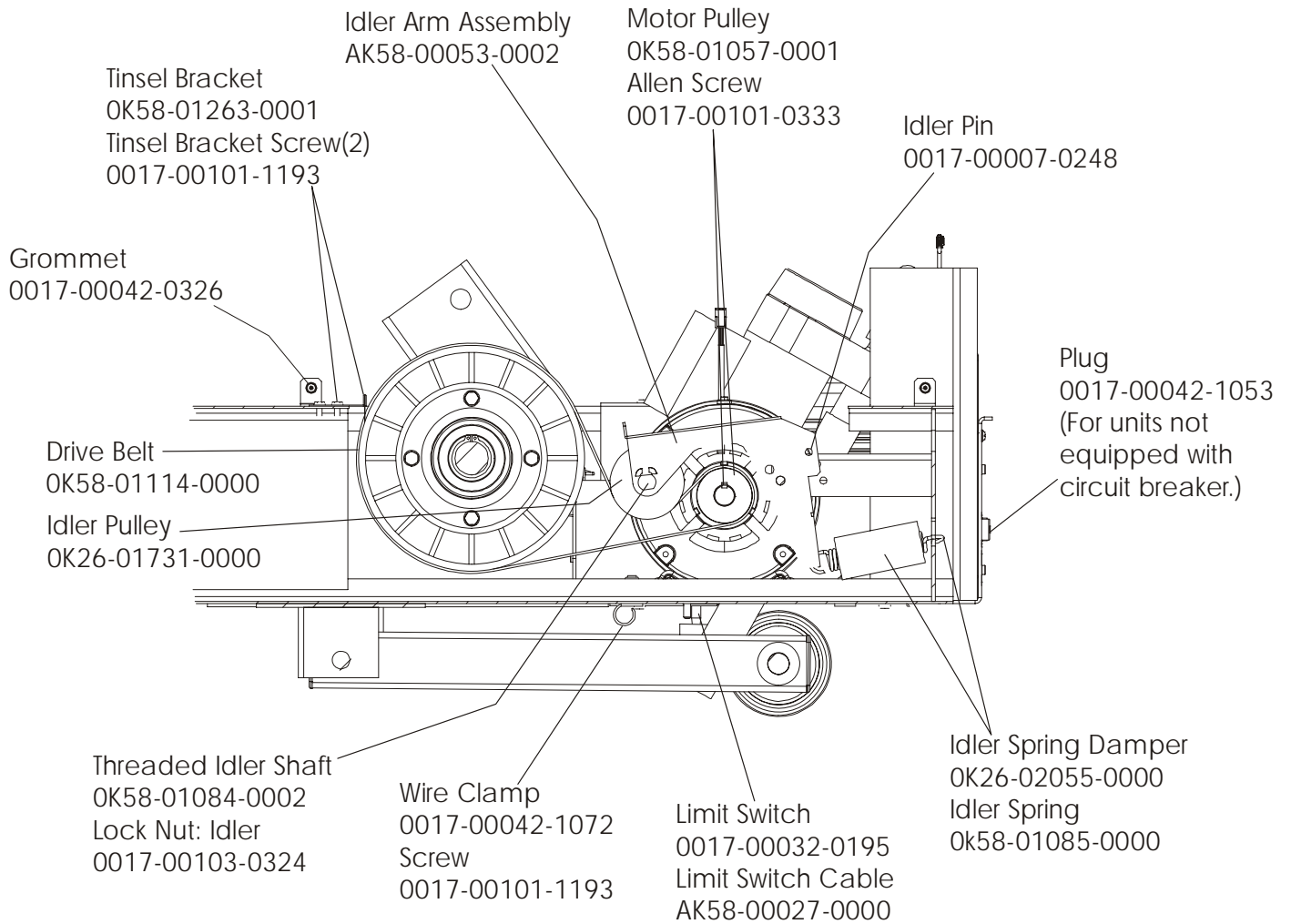
95T-XXXX-01
S/N TTI100000



Treadmill 95Ti

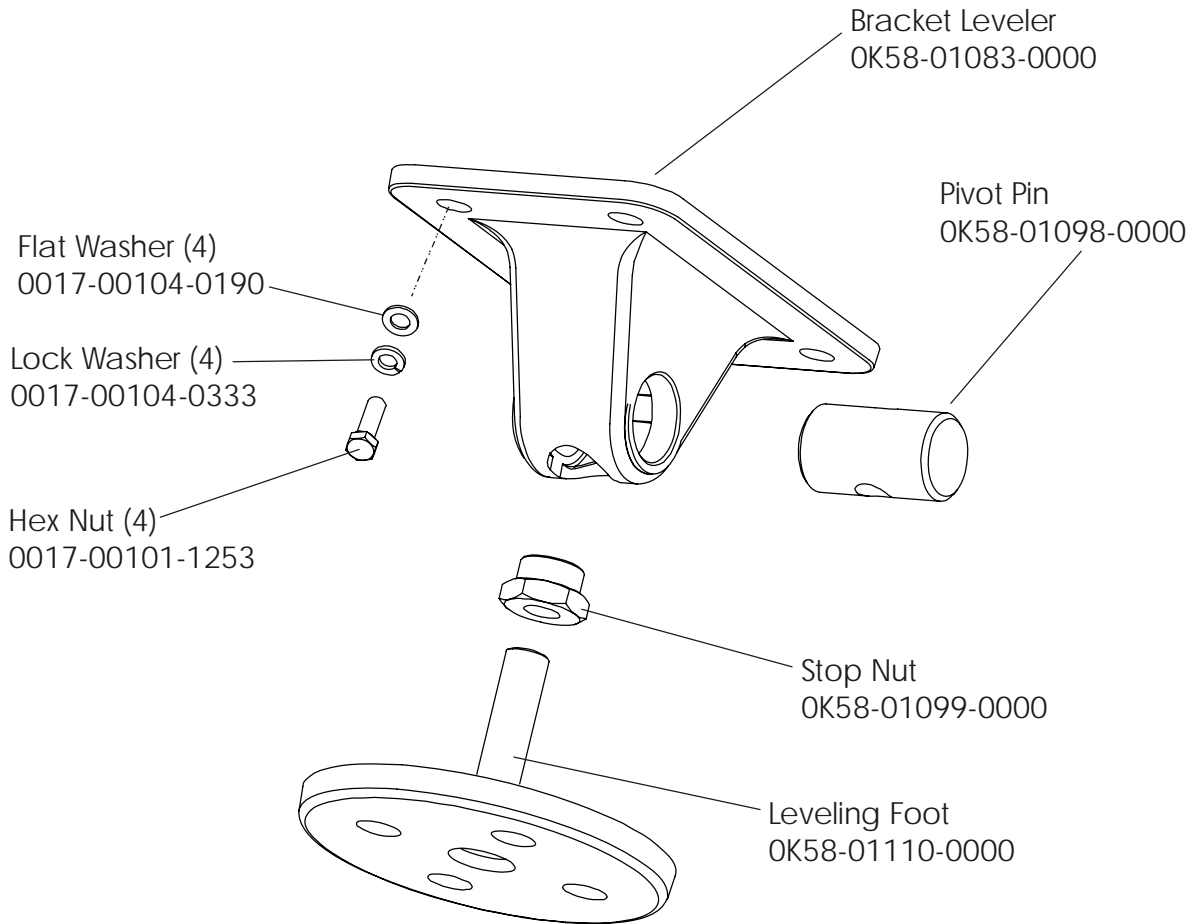
Idler Arm Assembly

95T-XXXX-01
S/N TTI100000



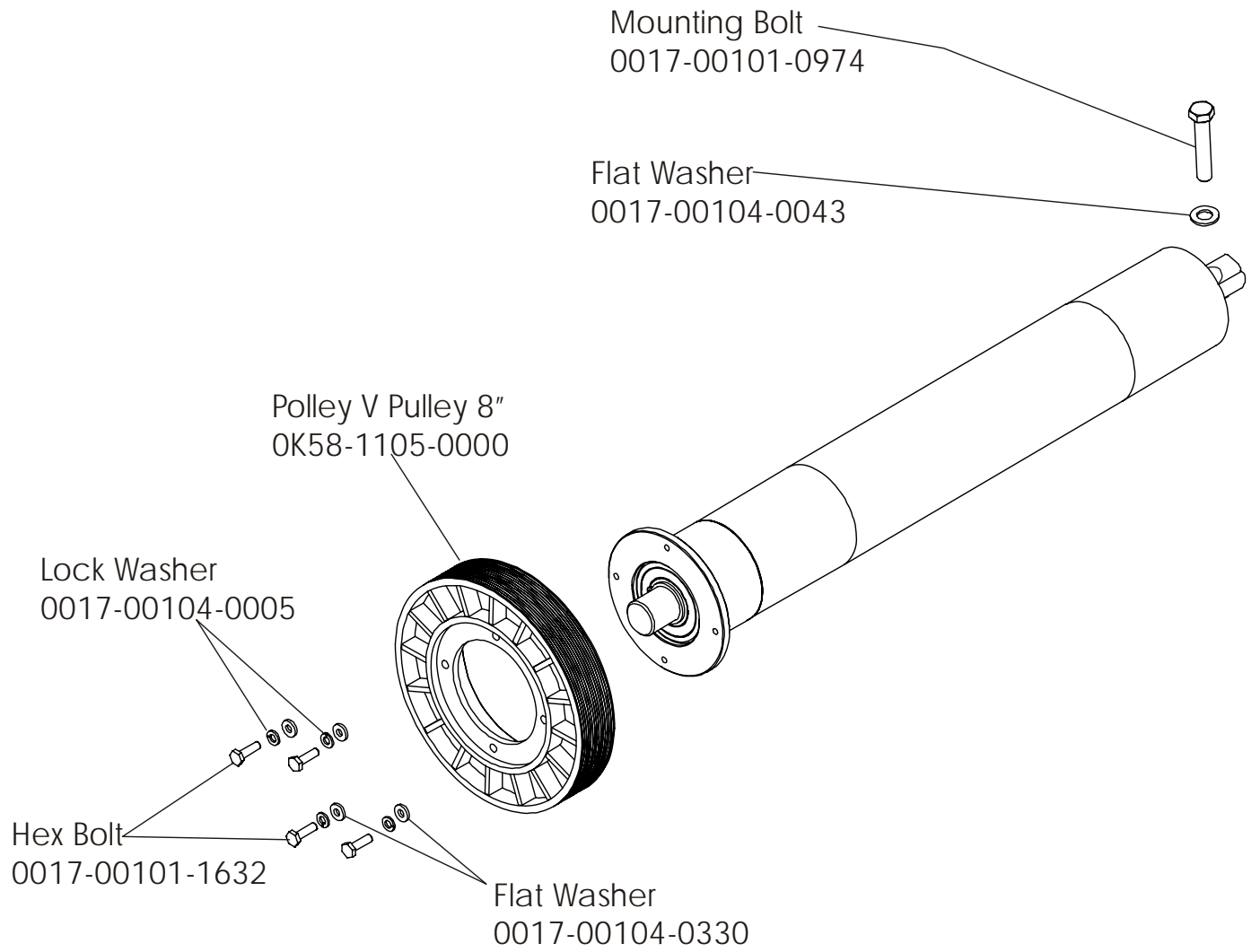
Treadmill 95Ti
Leveler Assembly AK58-00052-0000

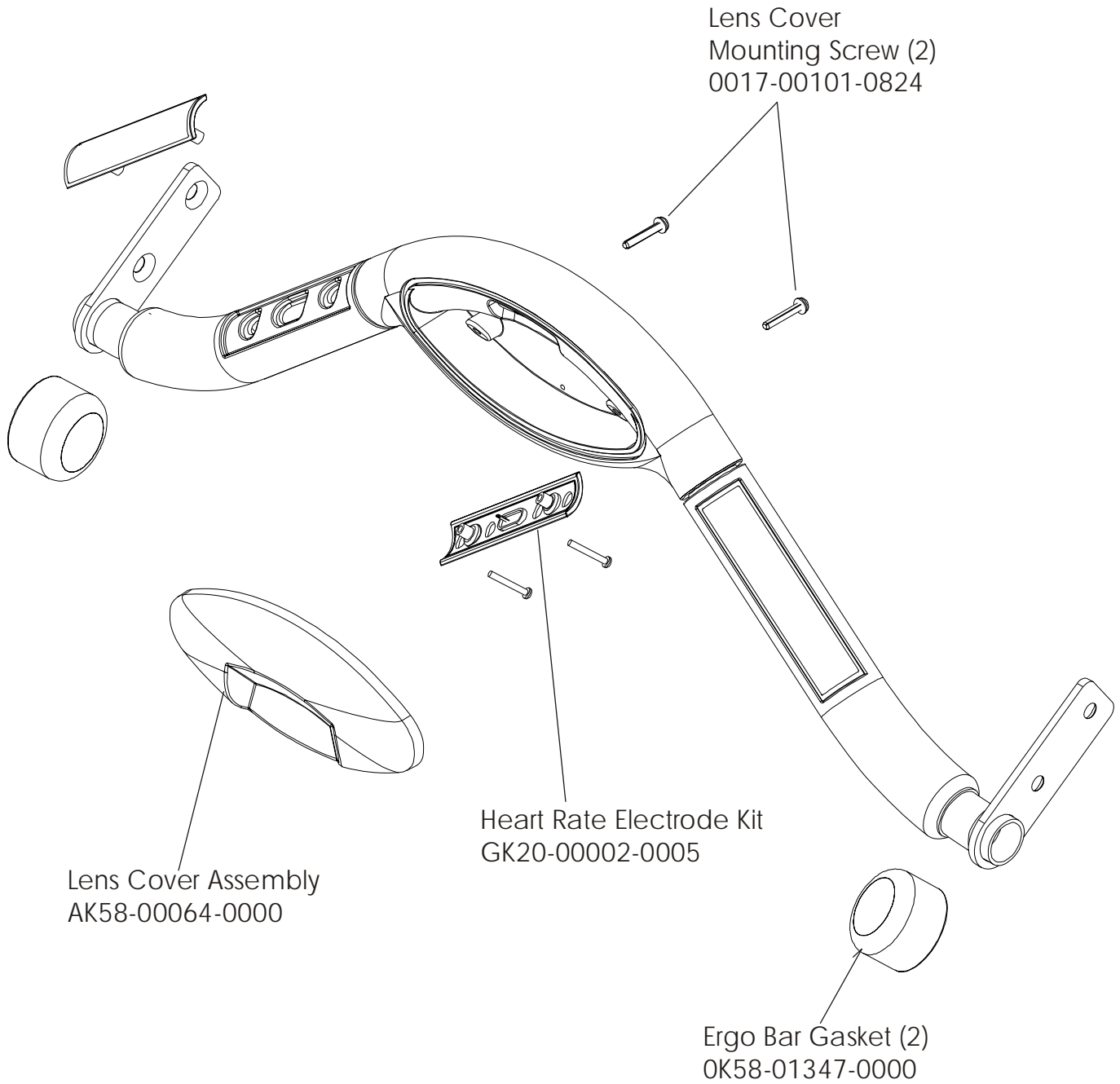
95T-XXXX-01
S/N TTI100000



Treadmill 95Ti
Front Roller Assy AK58-00066-0000

95T-XXXX-01
S/N TTI100000

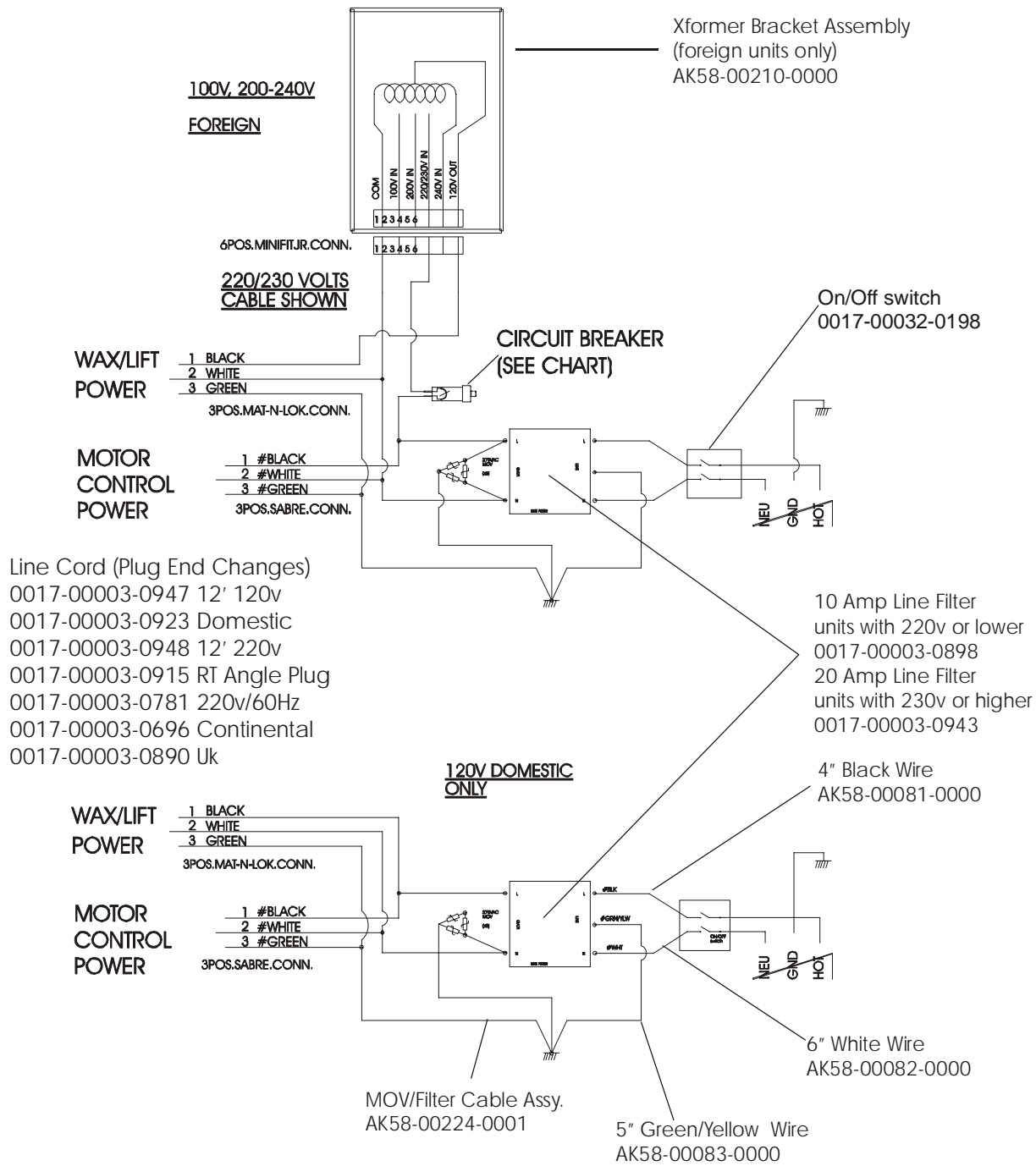




Treadmill 95Ti

Power Components Schematic

95T-XXXX-01
S/N TTI100000



Voltage	Power Cable Part No.	Breaker AMP/Part No.
100v	AK58-00258-0001	4 AMP/0017-00003-0950
200v	AK58-00258-0002	2 AMP/0017-00003-0626
220/230v	AK58-00258-0003	2 AMP/0017-00003-0626
240+	AK58-00258-0004	2 AMP/0017-00003-0626

