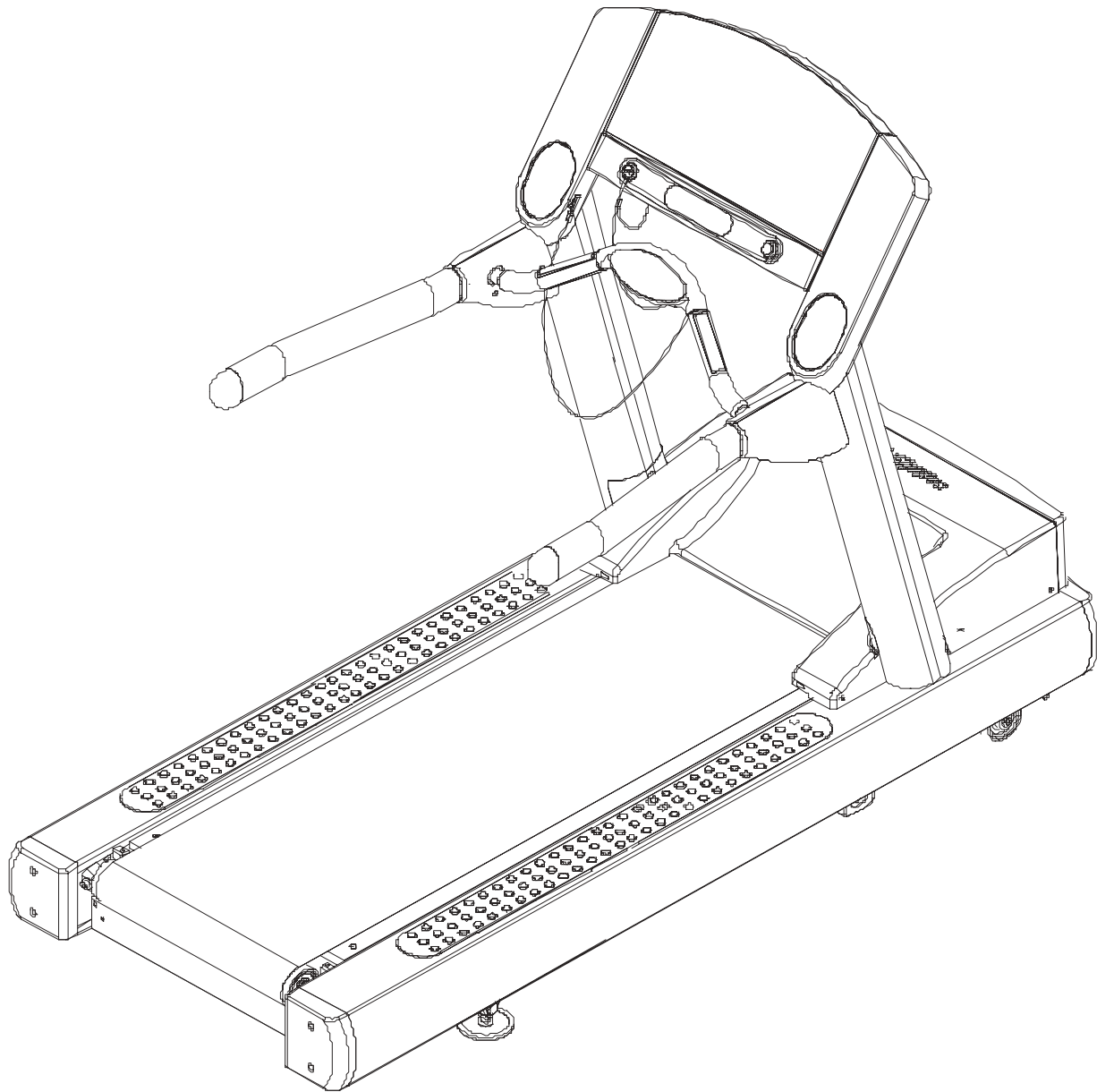


# *LifeFitness*

**ARCTIC SILVER 93Ti TREADMILL**

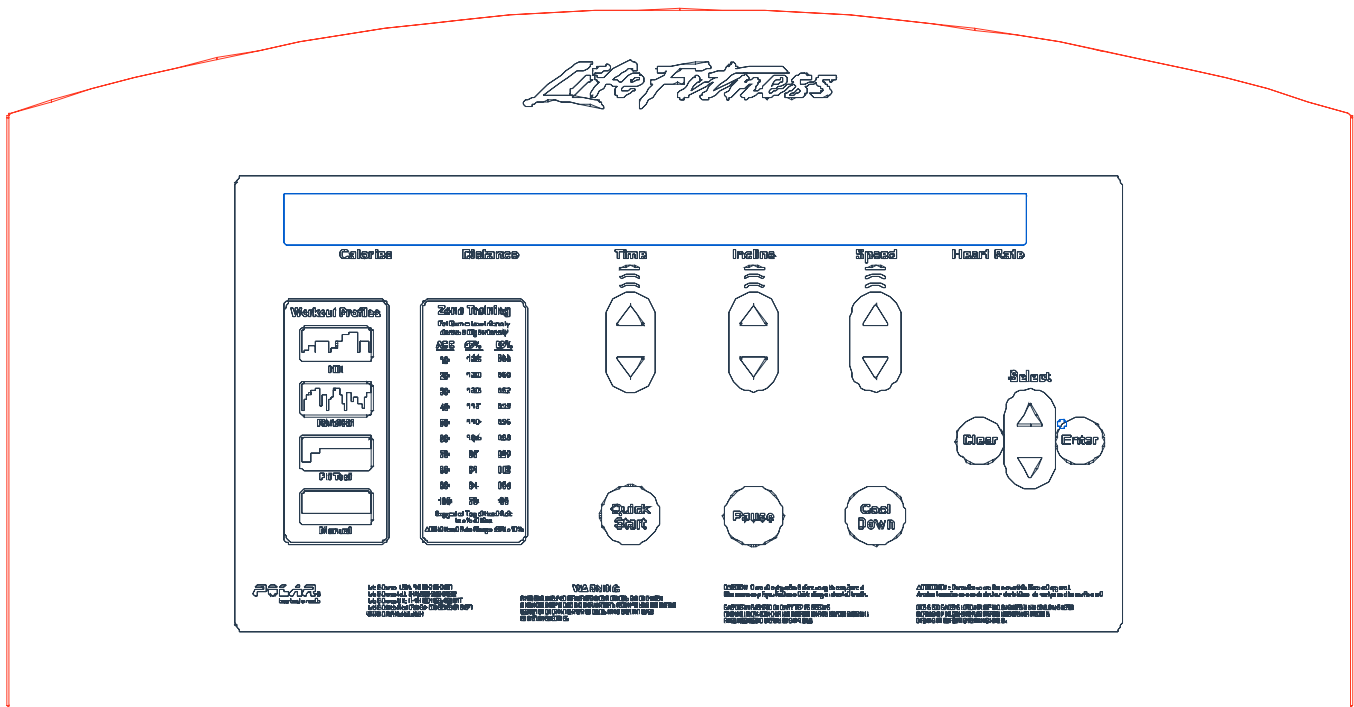


**Customer Support Services**  
***PARTS MANUAL*** rev. 31 Jan 2007

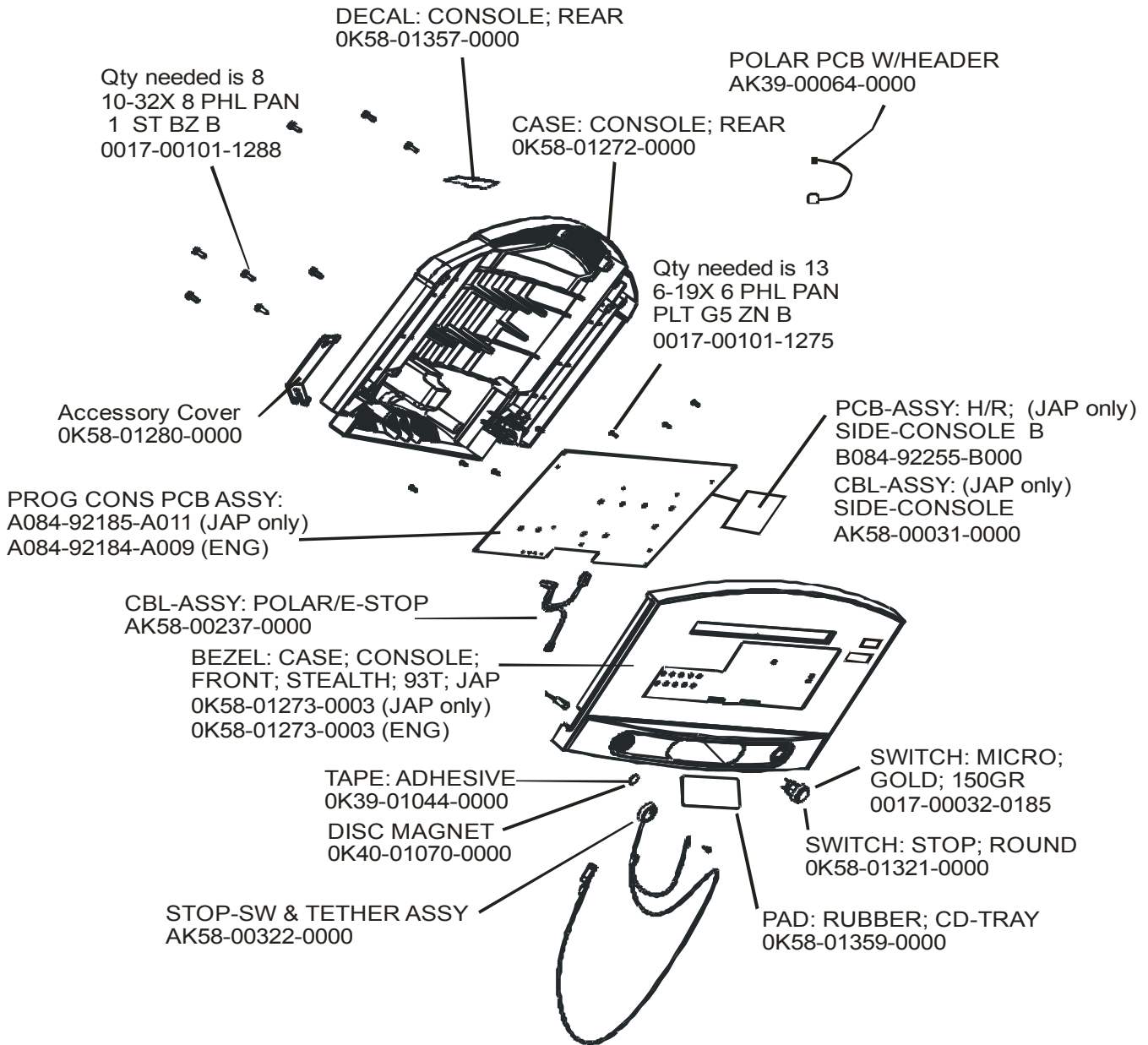
OPERATION MANUAL – ( ENG )	M051-00K58-A330
OPERATION MANUAL – ( F/S/P )	M051-00K58-A331
OPERATION MANUAL – ( G/D/I )	M051-00K58-A332
OPERATION MANUAL – ( JAP )	M051-00K58-A333
SERVICE MANUAL	M051-00K58-A253
ACCESS PANEL ASSY. CONSISTS OF: 1) 120" POWER EXT. CABLE 2) CONNECTOR MTG. PLATE 3) F-TYPE ADP CONNECTOR 4) F-TYPE PANEL CONNECTOR	AK58-00329-0000  AK32-00078-0001 0K58-01392-0000 0017-00021-2810 0017-00021-2846
COAX CABLE	AK32-00020-0002
ARCTIC SILVER TOUCH UP PAINT FOR FRAME: SPRAY CAN .5 OZ BOTTLE W/APPLICATOR .33 OZ PEN  FOR INK TRANSFER DECALS: .6 OZ BOTTLE .6 OZ PEN	  0017-00008-0204 0017-00008-0205 0017-00008-0206  0017-00008-0210 0017-00008-0211
HARDWARE BAG	AK58-00227-0000

**NOTE: When this model is ordered with an attachable LCD TV it becomes a 93TER-XXXX-08. See the Entertainment parts list marked LCD-0XXX-02 for the part numbers and descriptions for the attachable LCD TV, remote and hardware for this product. The 93T-XXXX-08 comes with both Life Pulse sensors and Telemetry for reading Heart Rate.**

	Page
CONSOLE, OVERLAY ASSEMBLY & OVERLAY .....	4
CONSOLE COMPONENTS .....	5
UPRIGHTS & HANDRAILS .....	6
ERGO-BAR W/HR ASSY- AK60-00147-0000 .....	7
REAR ENDCAPS & CUP HOLDERS .....	8
MOTOR COVER, FRONT COVER, ENDCAPS & TINSEL.....	9
ON-OFF SWITCH, ACCESS PLATE & GROMMETS.....	10
BELT, DECK & REAR ROLLER.....	11
LIFT FRAME, LIFT MOTOR & IEC RECEPTACLE.....	12
IDLER ARM ASSEMBLY .....	13
LEG LEVELER ASSEMBLY.....	14
FRONT ROLLER ASSEMBLY.....	15
DRIVE MOTOR ASSEMBLY - 93T-0100-07 ONLY .....	16
DRIVE MOTOR ASSEMBLY – ALL OTHER MODELS.....	17
WAX/LIFT ASSEMBLY FOR - 93T-0100-07 ONLY .....	18
MOTOR CONTROLLER ASSY. – 93T-0100-07 ONLY .....	19
DSP-CONTROLLER ASSEMBLY – ALL OTHER MODELS.....	20
LINE-CORDS & LINE-CORD OPTIONS.....	21
CABLES FOR UNITS BETWEEN 0100 - 0104.....	22
CABLES FOR UNITS BETWEEN 0105 - 0300.....	23
CABLES FOR UNITS BETWEEN 0301 - 0601.....	24
CABLES FOR UNITS BETWEEN 0705 - 1601.....	25



LANGUAGE	CONSOLE	OVERLAY/BEZEL ASSY	OVERLAY
ENG/ENG	AK58-00481-0001	AK58-00526-0001	OK58-01432-0001
ENG+MET	AK58-00481-0002	AK58-00526-0001	OK58-01432-0001
GERMAN	AK58-00481-0003	AK58-00526-0003	OK58-01432-0003
SPANISH	AK58-00481-0004	AK58-00526-0004	OK58-01432-0004
JAPANESE	AK58-00481-0006	AK58-00526-0006	OK58-01445-0006
FRENCH	AK58-00481-0007	AK58-00526-0007	OK58-01432-0007
ITALIAN	AK58-00481-0008	AK58-00526-0008	OK58-01432-0008
DUTCH	AK58-00481-0009	AK58-00526-0009	OK58-01432-0009
PORUGUESE	AK58-00481-0010	AK58-00526-0010	OK58-01432-0010

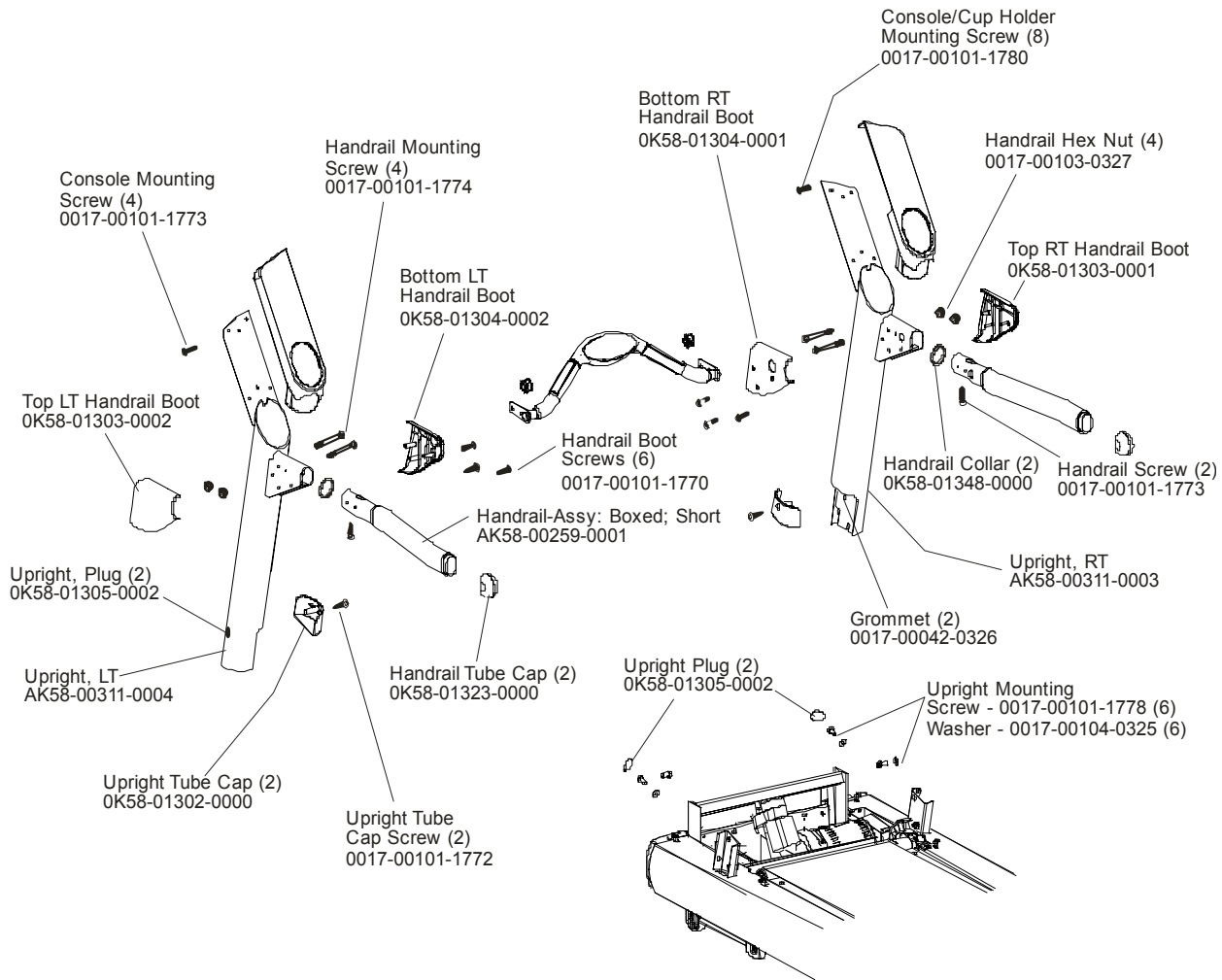


# ARCTIC SILVER 93Ti

93T-XXXX-08

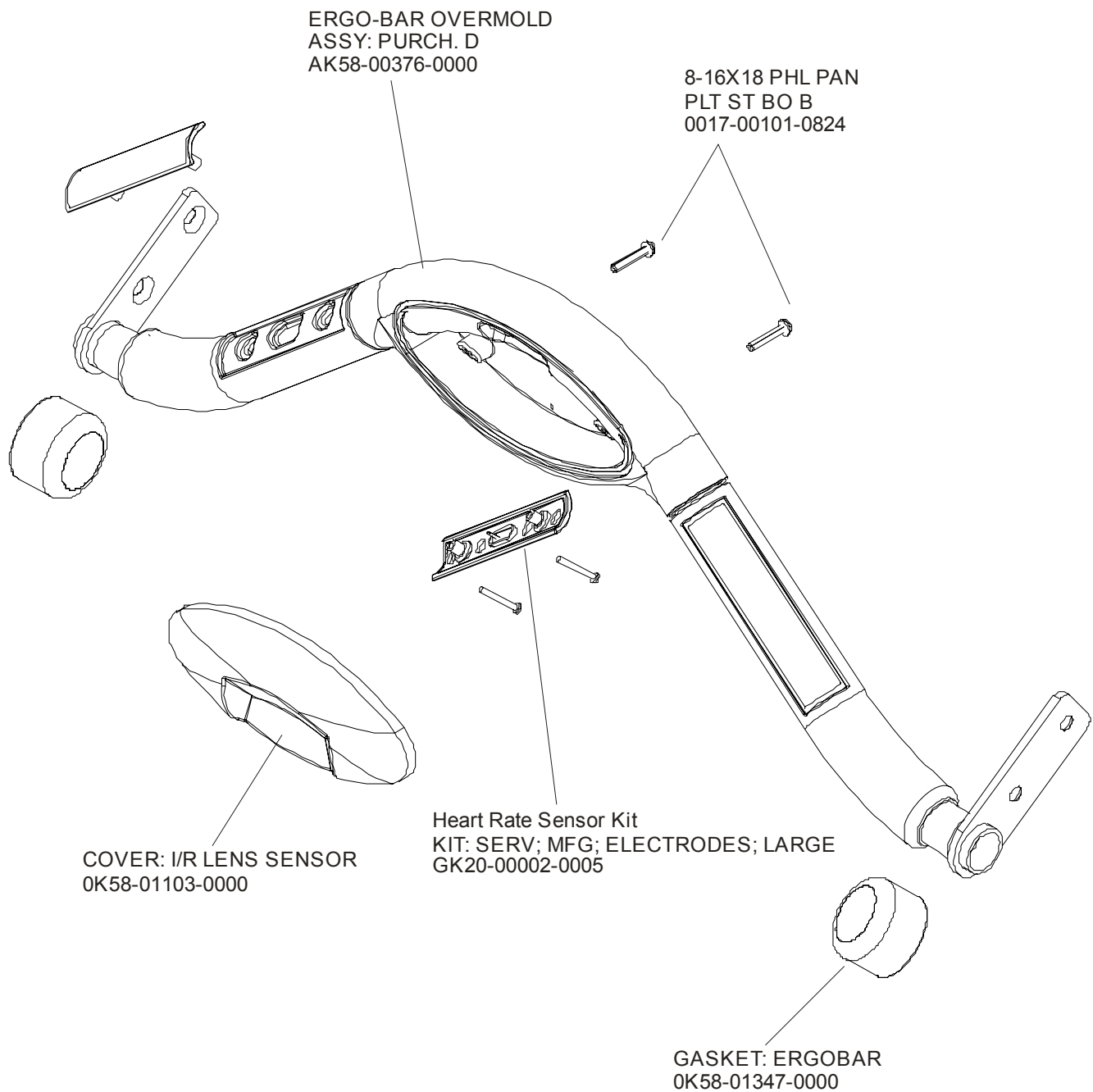
## Uprights & Handrails

S/N TTW100000 and up



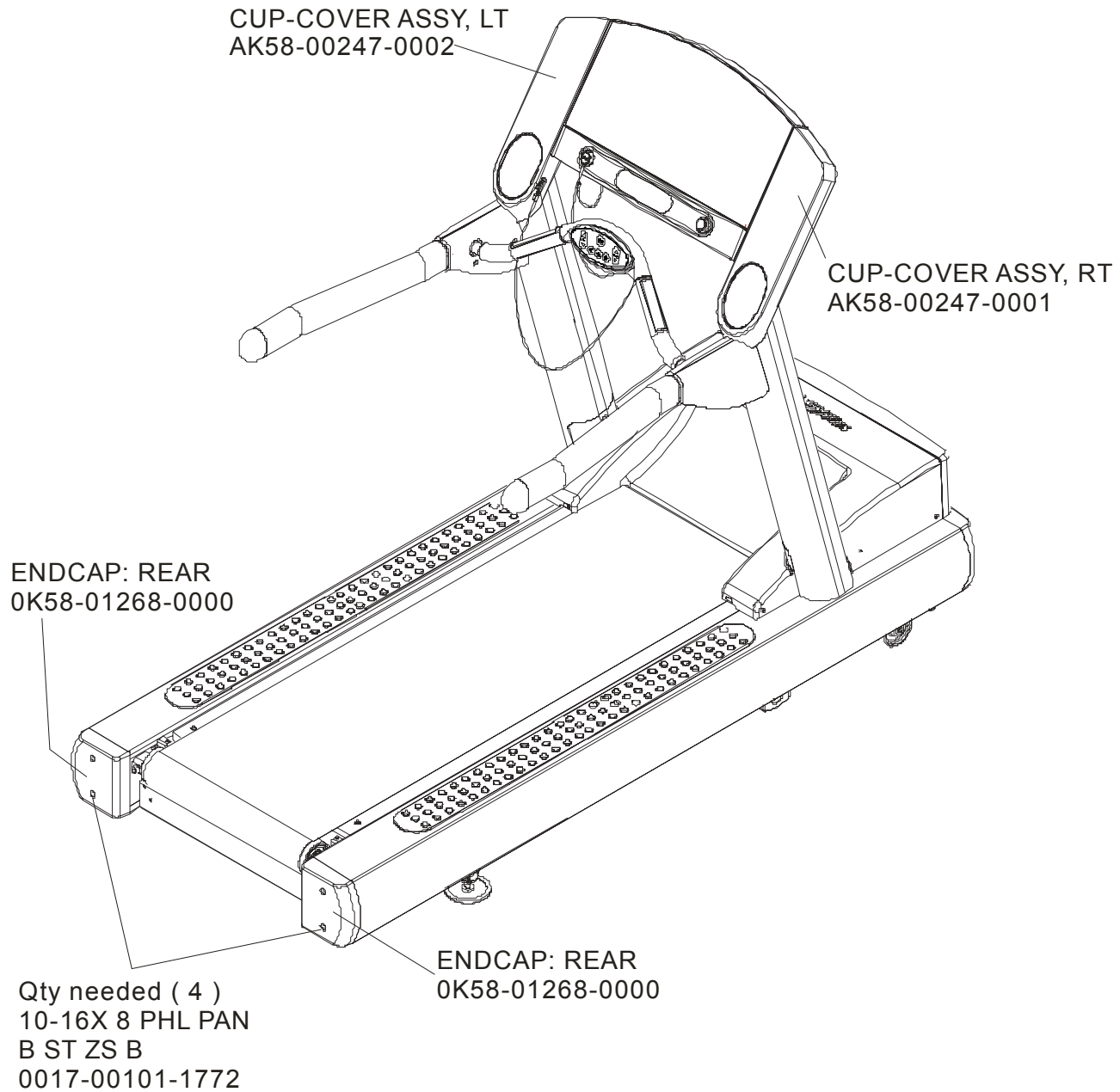
**ARCTIC SILVER 93Ti**  
**ERGO-BAR W/HR ASSY- AK60-00147-0000**

**93T-XXXX-08**  
**S/N TTW100000 and up**



**ARCTIC SILVER 93Ti**  
**Rear End Caps & up Holders**

**93T-XXXX-08**  
**S/N TTW100000 and up**

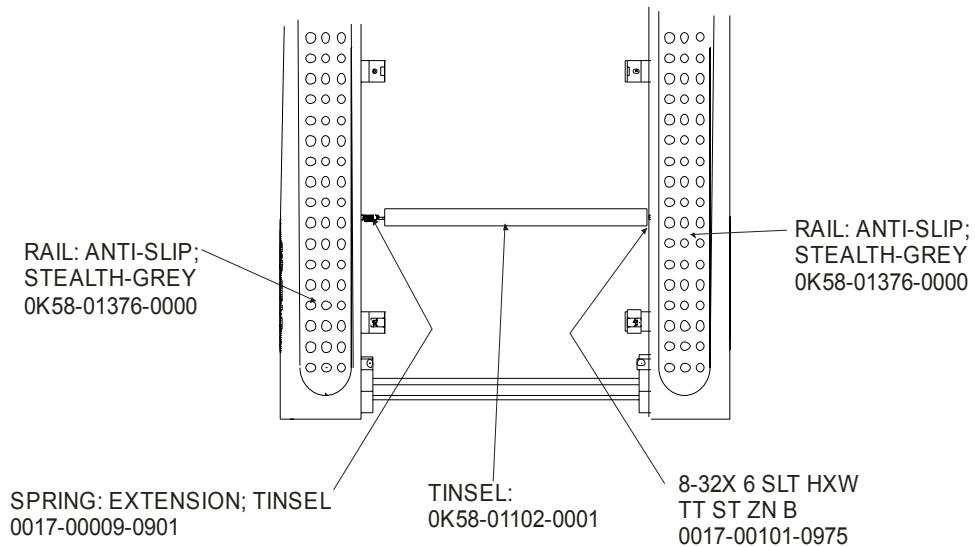
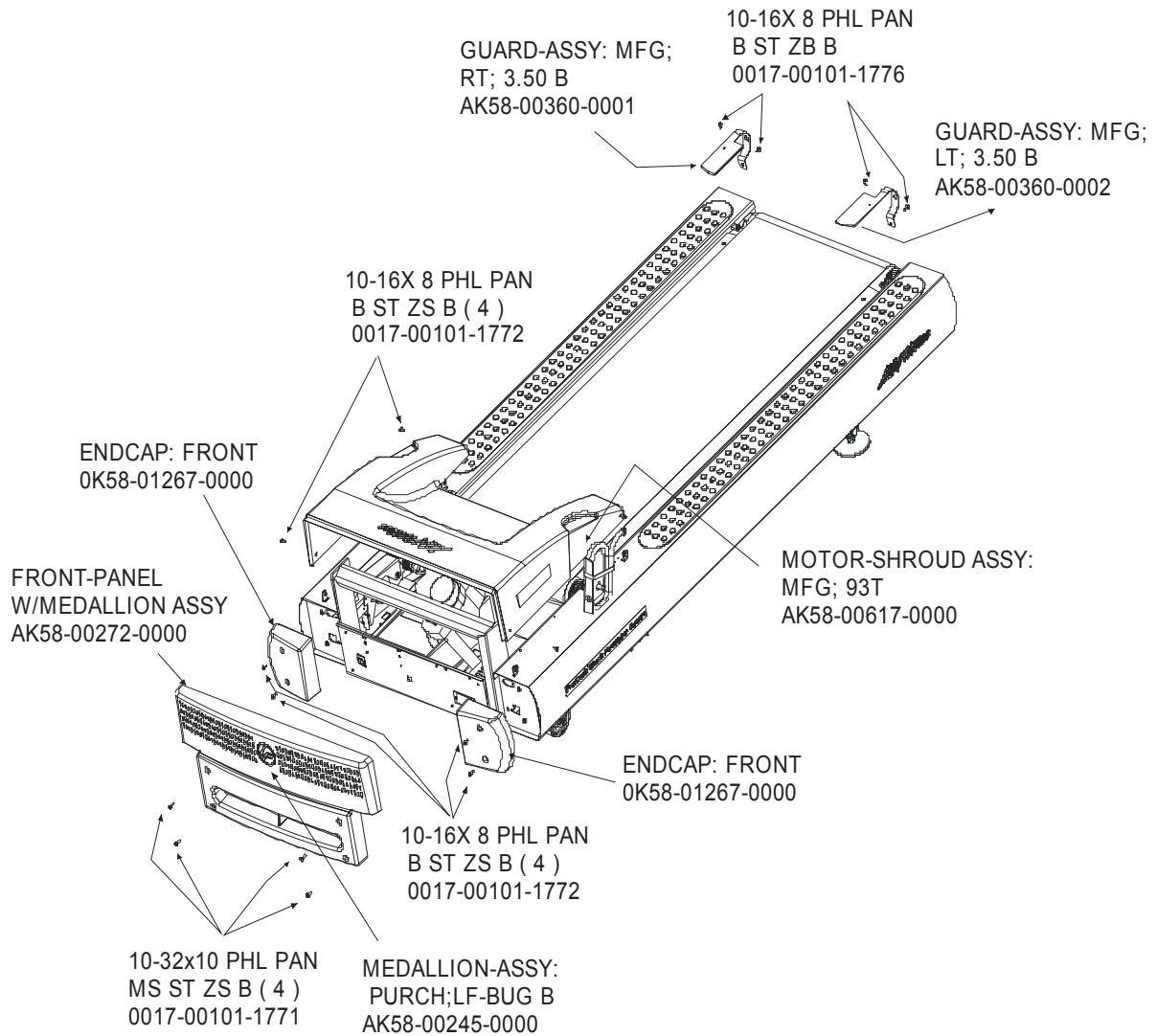




# ARCTIC SILVER 93Ti

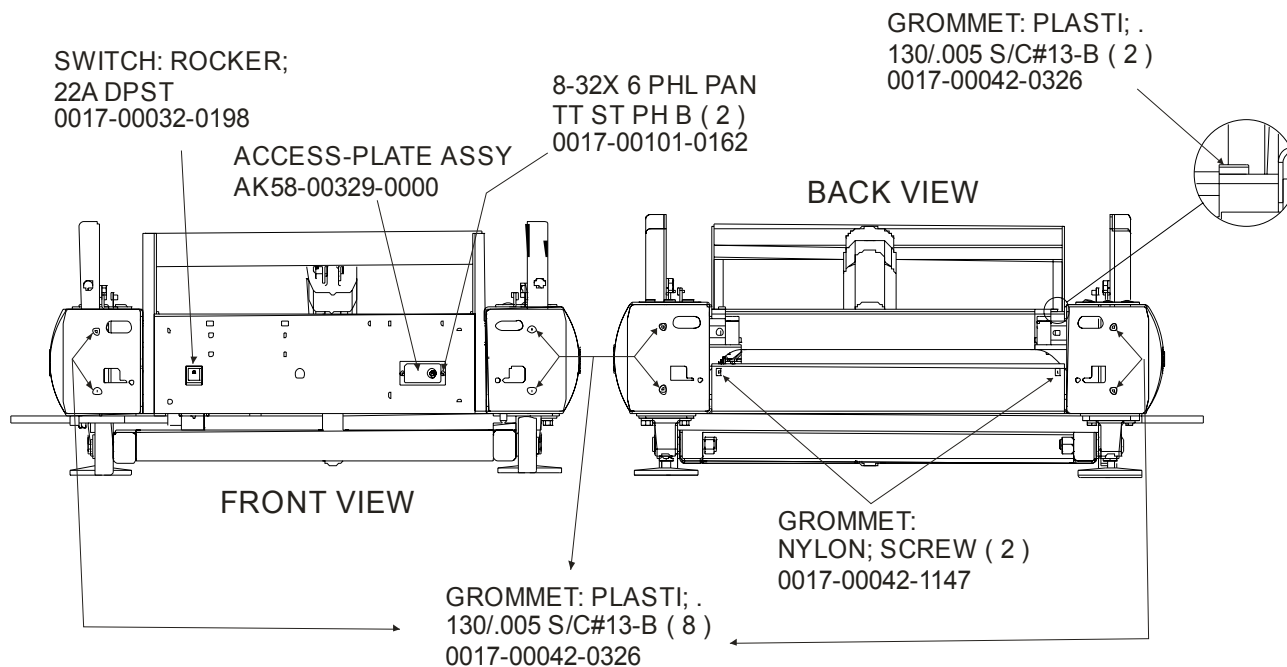
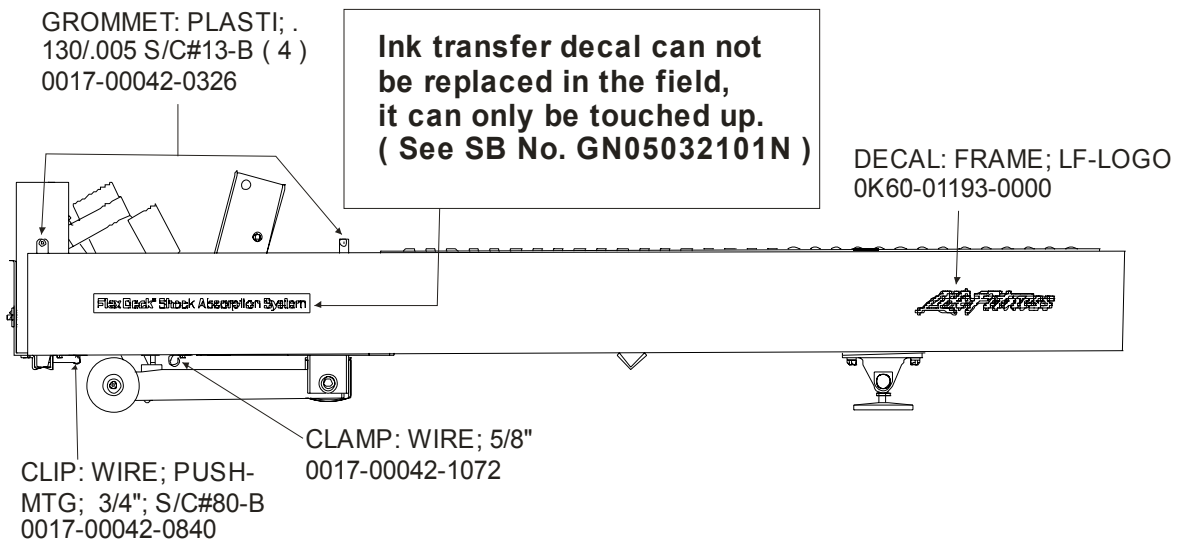
93T-XXXX-08

## Motor Cover, Front Cover, Front End Caps & Tinsel S/N TTW100000 and up



**ARCTIC SILVER 93Ti**  
**On-Off Switch, Access Plate & Grommets**

**93T-XXXX-08**  
**S/N TTW100000 and up**



# ARCTIC SILVER 93Ti

## Belt, Deck & Rear Roller

93T-XXXX-08

S/N TTW100000 and up

BELT: WALKING; BLK;  
W/LOGO; NP7131 C  
OK58-01400-0000

LBL: BELT-LIMIT; LT.  
M051-00K58-A101

DECK: TREADMILL; WAXLESS  
OK58-01091-0002

1/4 -20x20 HXS FLT L  
CS ST ZB B (4)  
0017-00101-1775

NUT 1/4 -20 TINNEMAN  
D ST ZN B (4)  
0017-00103-0198

LBL: CAUTION;  
HI-VOLT;ENG+FRN B  
M051-00K58-A014

LBL: BELT-LIMIT; RT.  
M051-00K58-A100

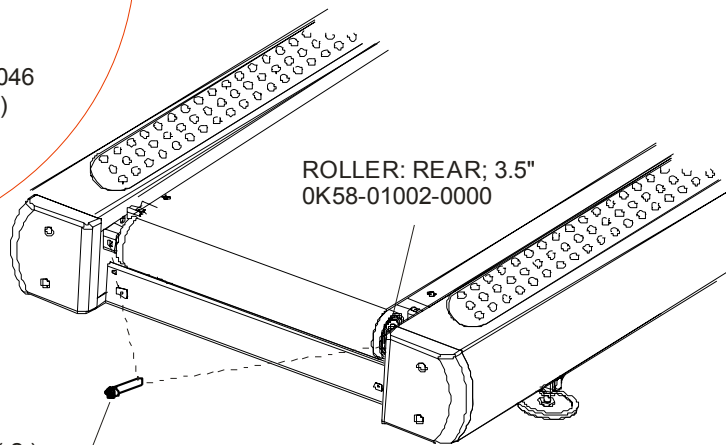
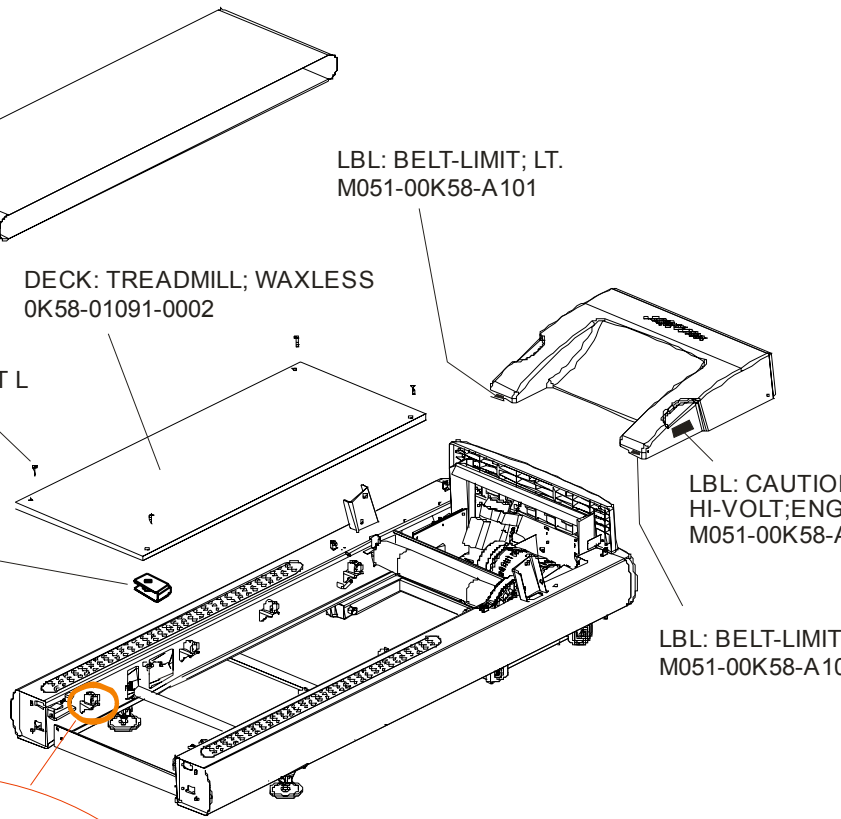
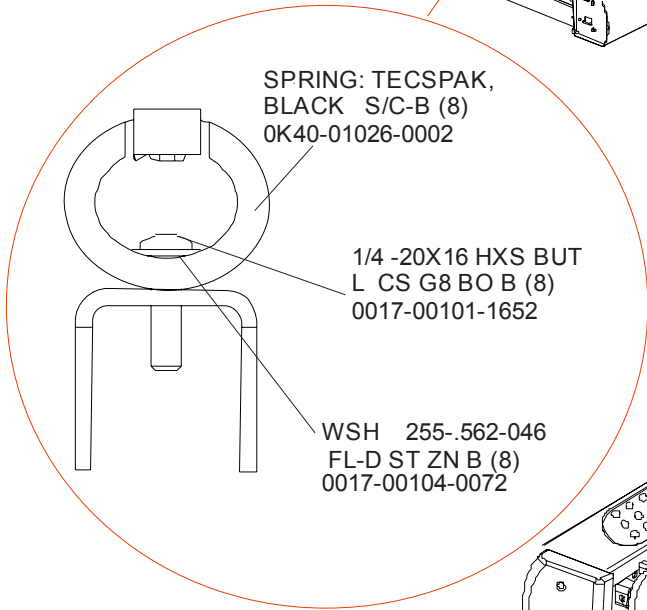
SPRING: TECSPAK,  
BLACK S/C-B (8)  
OK40-01026-0002

1/4 -20X16 HXS BUT  
L CS G8 BO B (8)  
0017-00101-1652

WSH 255-.562-046  
FL-D ST ZN B (8)  
0017-00104-0072

ROLLER: REAR; 3.5"  
OK58-01002-0000

Rear Roller Adjusting Bolt ( 2 )  
3/8 -16X48 HEX SOC L CS ST SS B  
0017-00101-1880

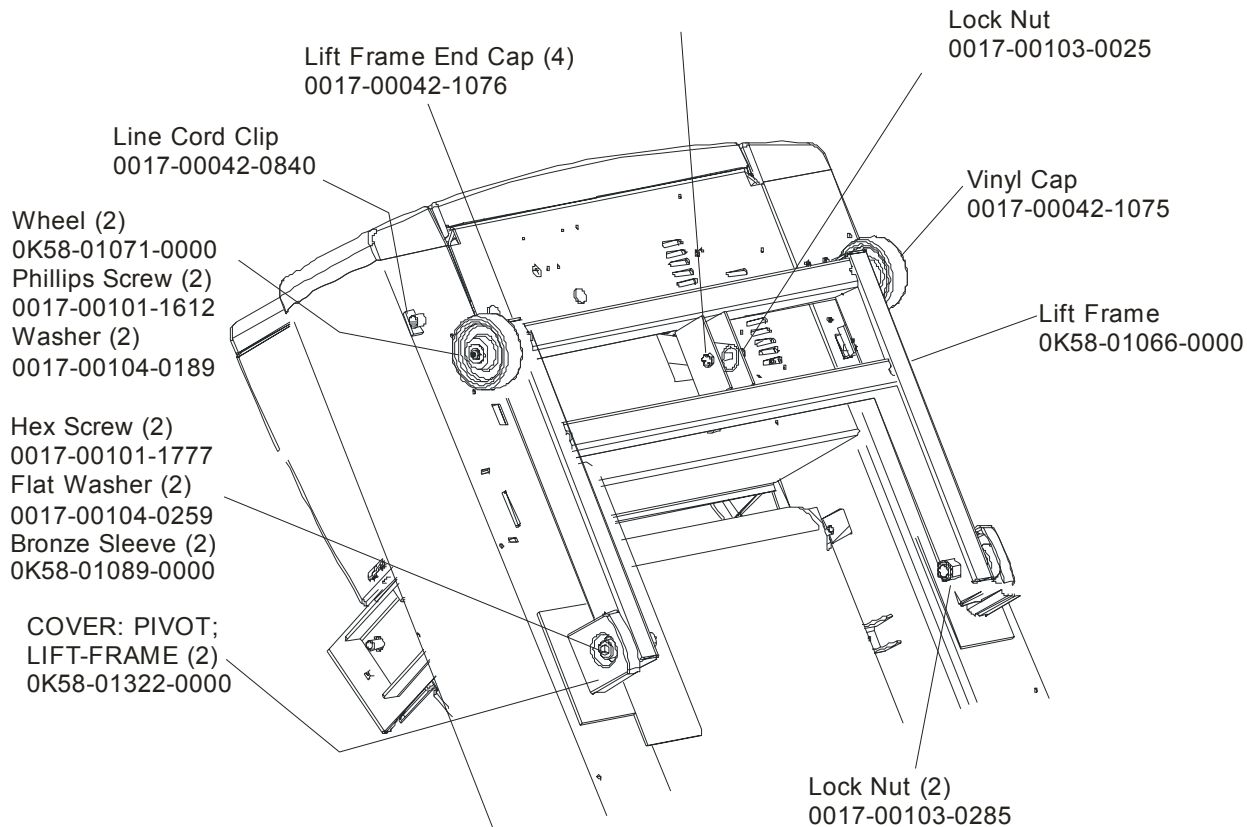
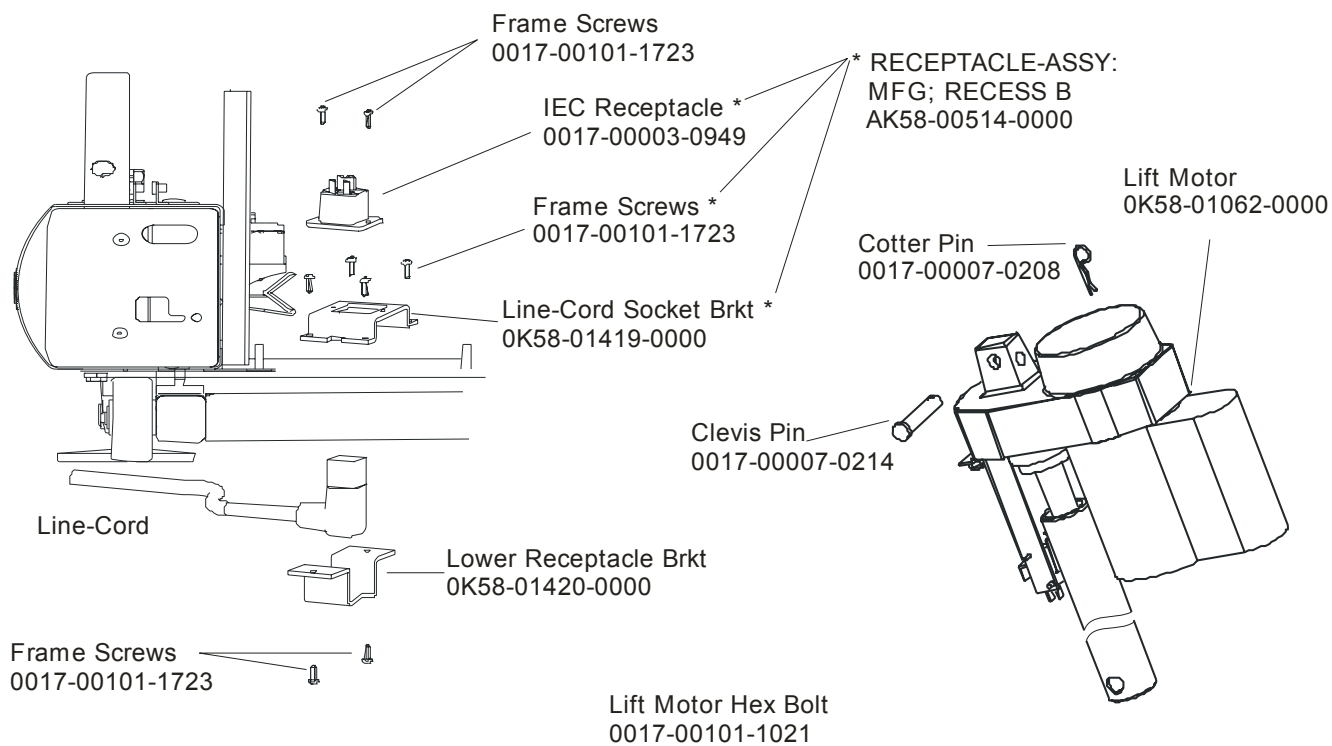


# ARCTIC SILVER 93Ti

## Lift Frame , Lift Motor & IEC Receptacle

93T-XXXX-08

S/N TTW10000 and up

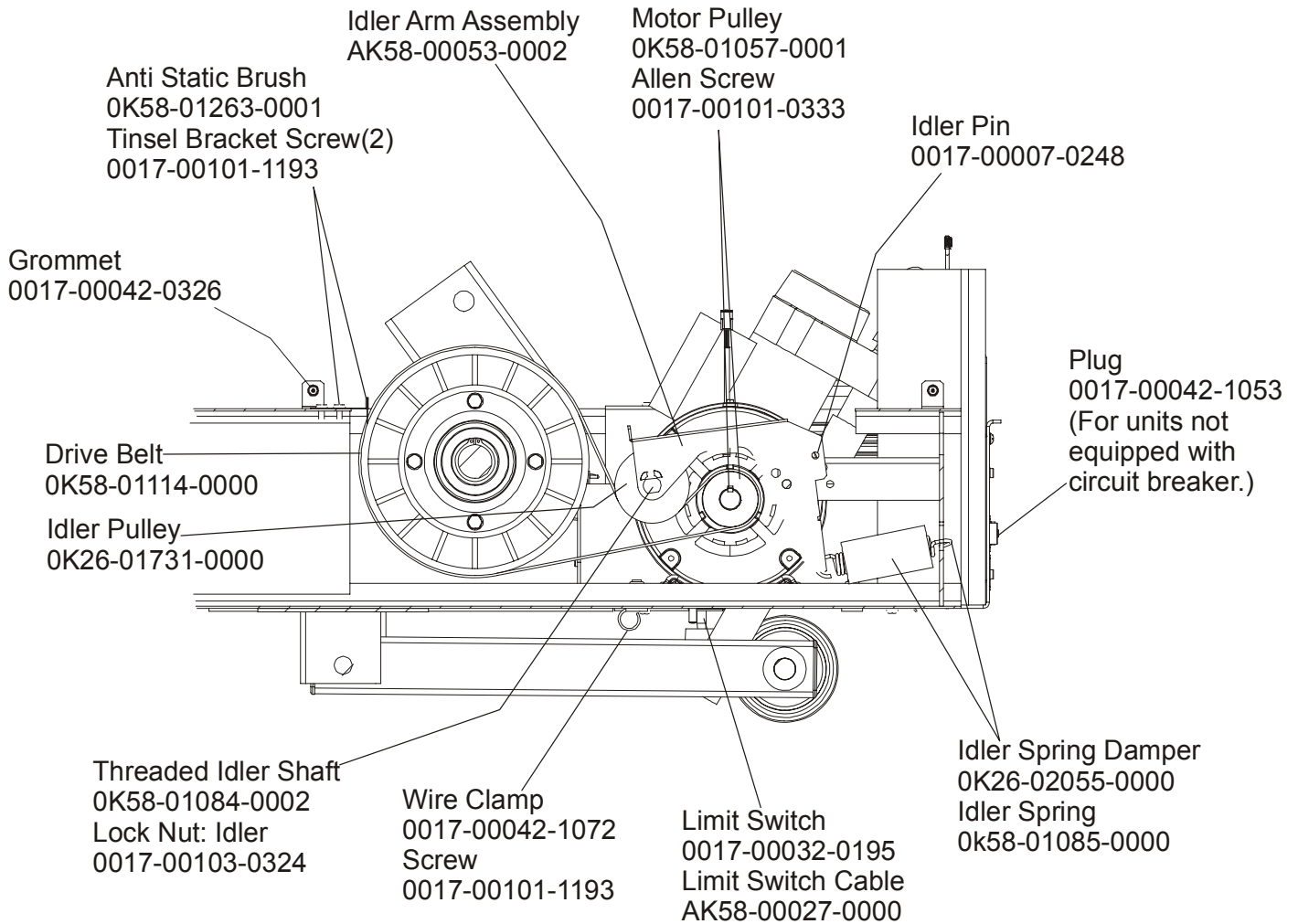


# ARCTIC SILVER 93Ti

## Idler Arm Assy.

93T-XXXX-08

S/N TTW100000 and up

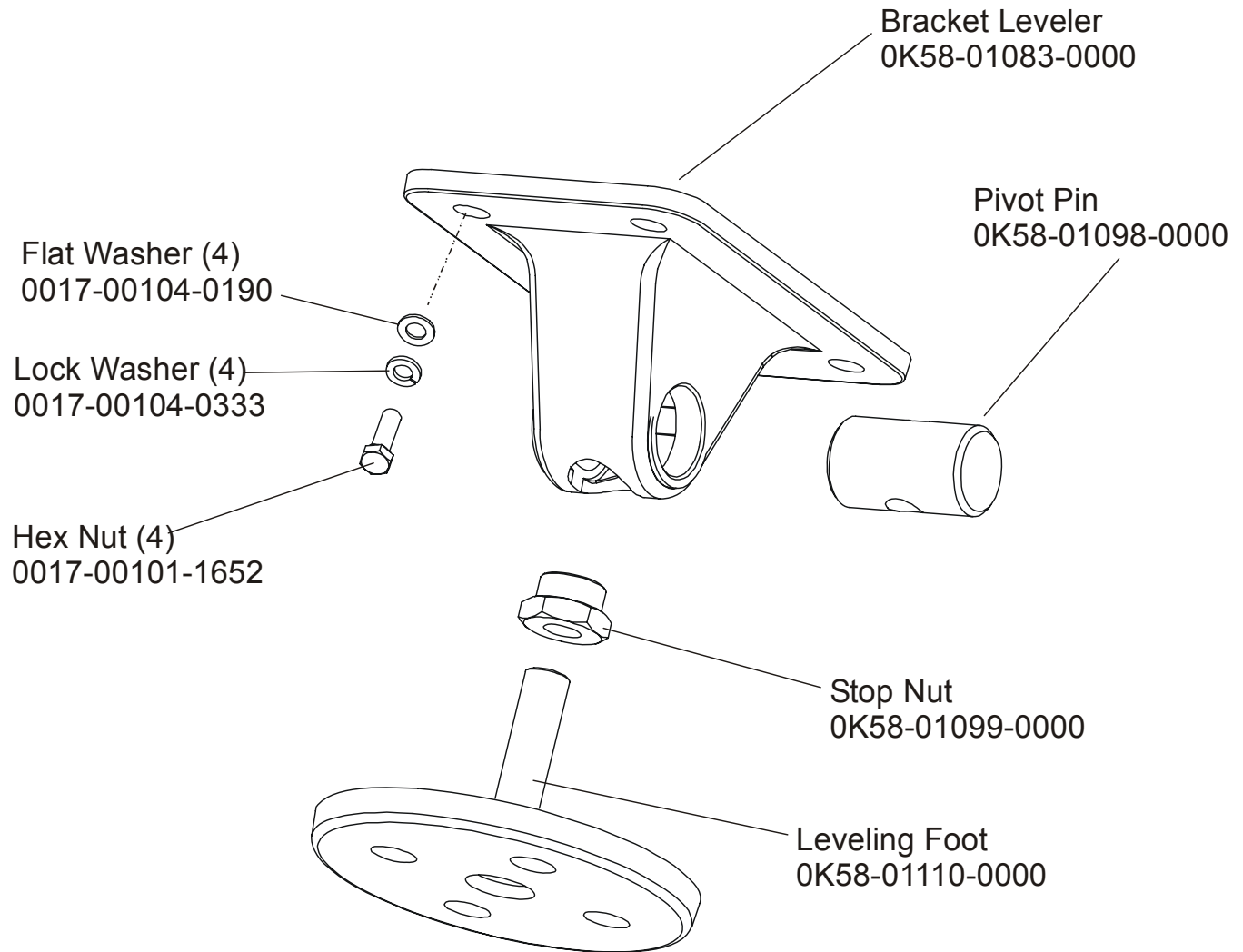


**ARCTIC SILVER 93Ti**

**Leg Leveler Assembly – AK58-00370-0000**

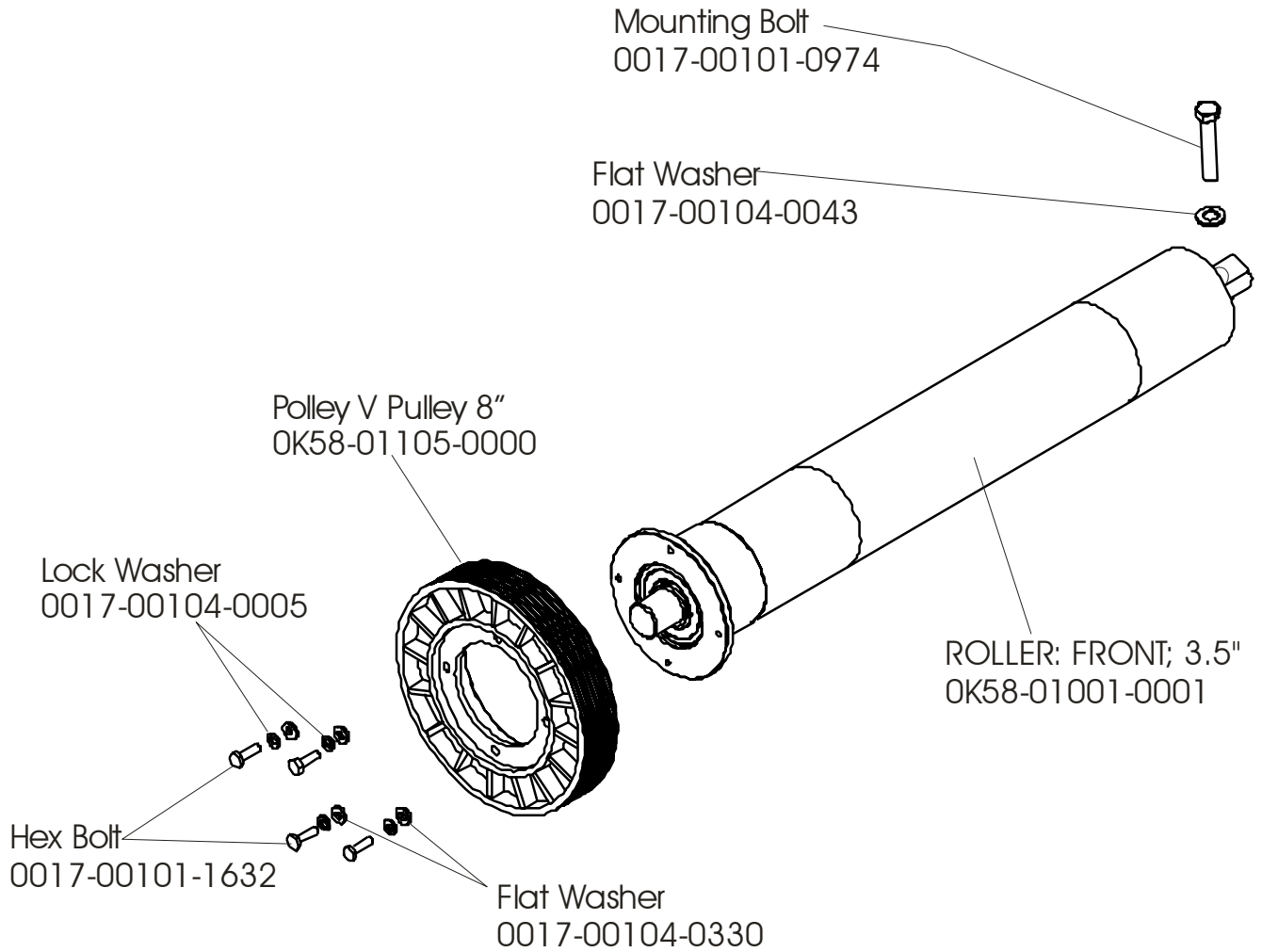
**93T-XXXX-08**

**S/N TTW100000 and up**



**ARCTIC SILVER 93Ti**  
**Front Roller Assy.- AK58-00066-0000**

**93T-XXXX-08**  
**S/N TTW100000 and up**

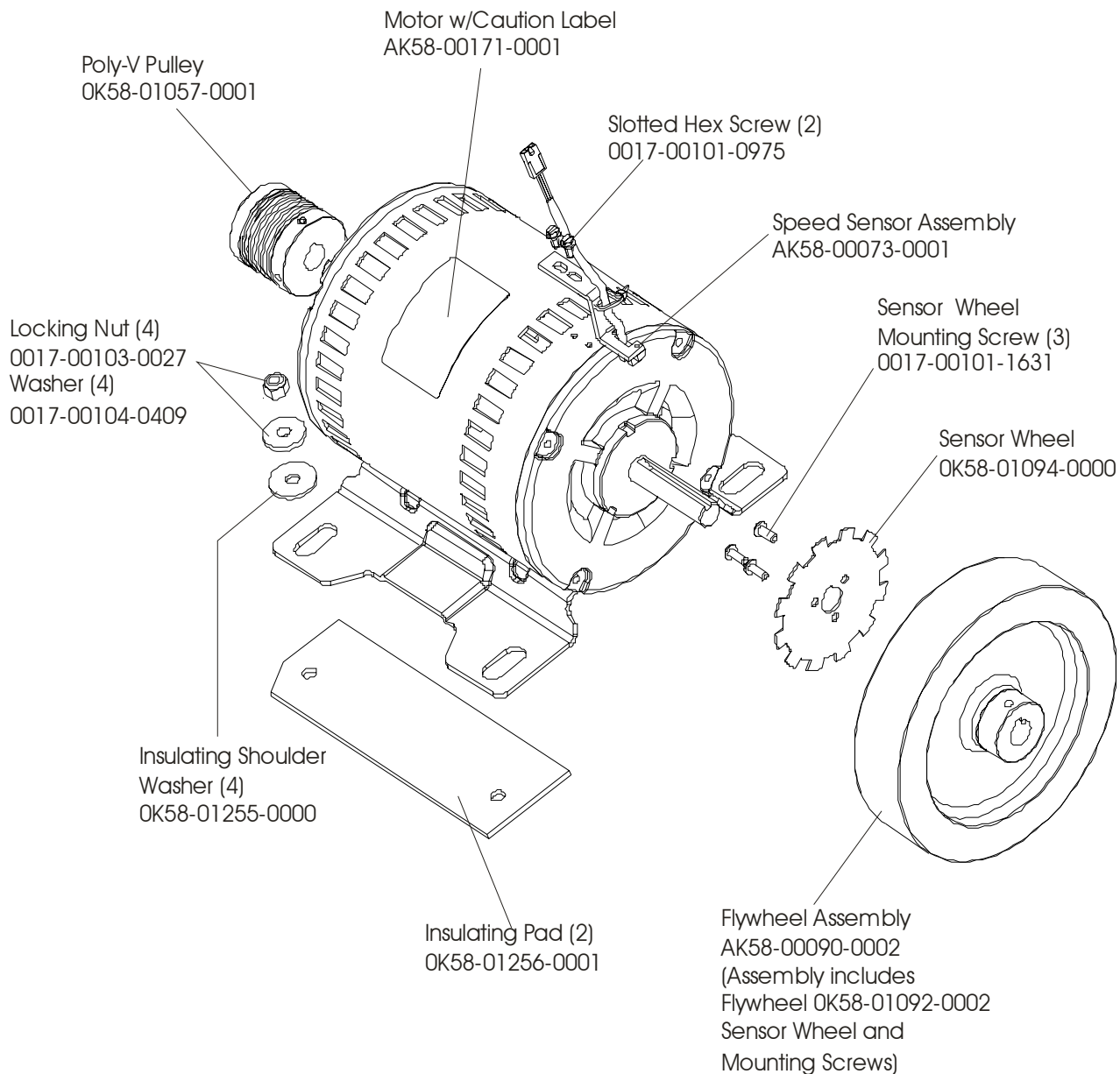


# ARCTIC SILVER 93Ti

Drive Motor Assembly for 93T-0100-08 only

93T-XXXX-08

S/N TTW100000 and up



**Please note:**

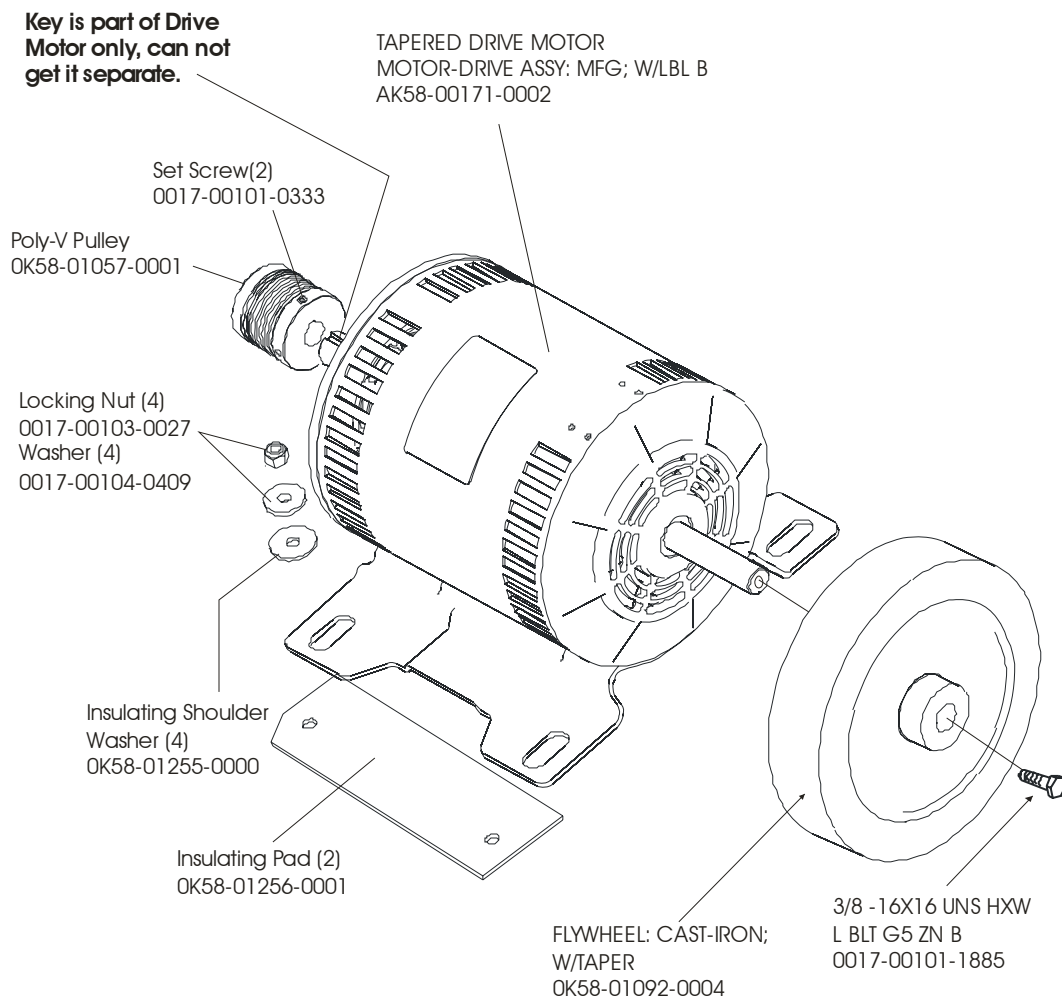
**93T-0100-08 Uses above Drive Motor  
Components only**



# ARCTIC SILVER 93Ti

## Drive Motor Assembly

**93T-XXXX-08**  
**S/N TTW100000 and up**



**Please note: This Drive Motor set-up is to be used on the following Models Only**

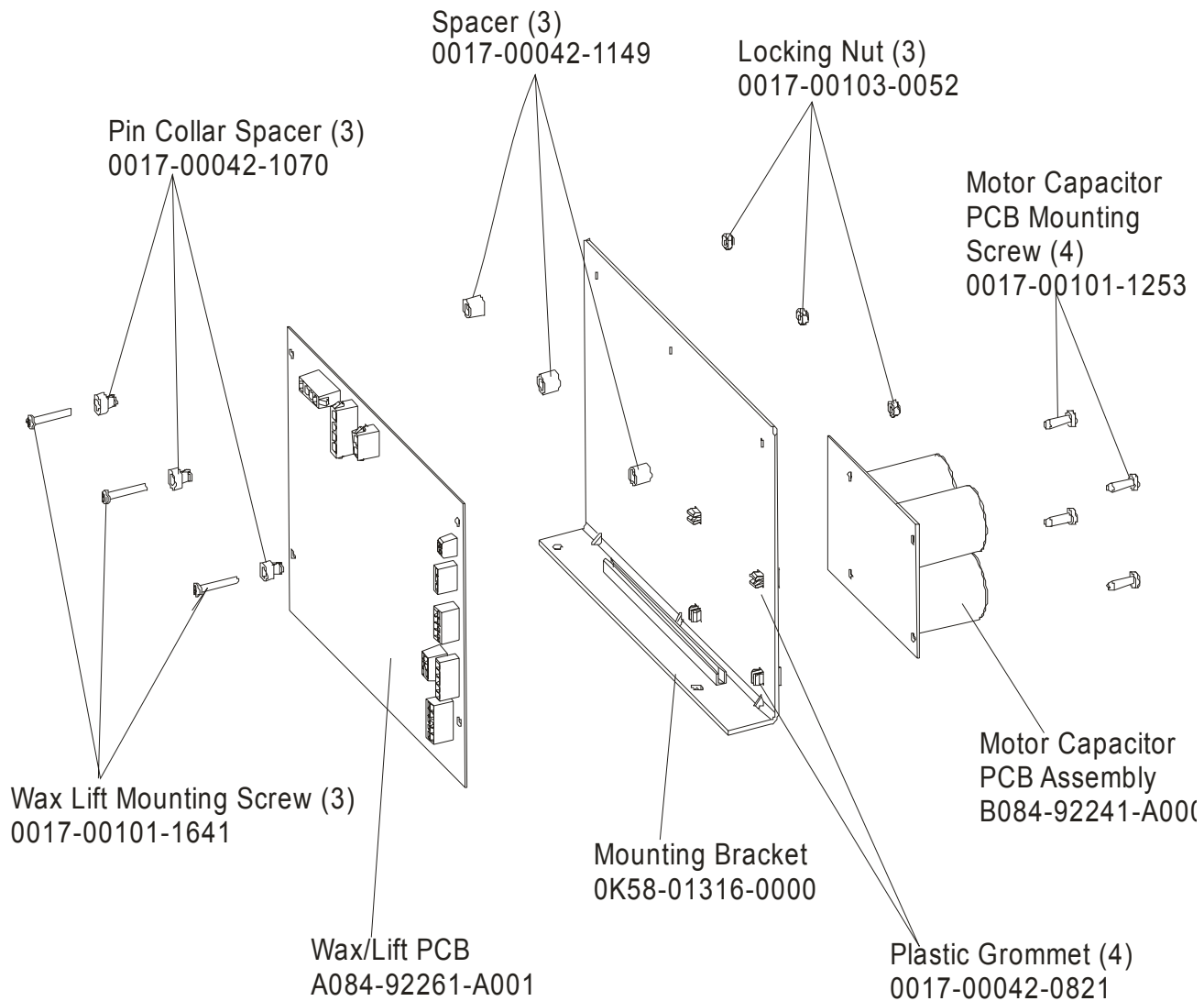
93T-0101-08	93T ENG+MET 230/50 CON	93T-0400-08	93T SPN/MET 120/60 DOM
93T-0102-08	93T ENG+MET 240/50 UK	93T-0401-08	93T SPN/MET 230/50 CON
93T-0103-08	93T ENG+MET 220/60 DOM	93T-0501-08	93T ITL/MET 230/50 CON
93T-0104-08	93T ENG+MET 240V+ AUS	93T-0601-08	93T DUT/MET 230/50 CON
93T-0105-08	93T ENG+MET 100/50 DOM	93T-0705-08	93T JAP/MET 100/50 DOM
93T-0106-08	93T ENG+MET 200/50 DOM	93T-0706-08	93T JAP/MET 200/50 DOM
93T-0109-08	93T ENG+MET 230/50 UK	93T-0800-08	93T POR/MET 120/60 DOM
93T-0201-08	93T GER/MET 230/50 CON	93T-0801-08	93T POR/MET 230/50 CON
93T-0300-08	93T FRN/MET 120/60 DOM	93T-1601-08	93T ENG/TUR 230/50 CON
93T-0301-08	93T FRN/MET 230/50 CON		

# ARCTIC SILVER 93Ti

Wax/Lift Assembly For - 93T-0100-08 ONLY

93T-XXXX-08

S/N TTW100000 and up



## PLEASE NOTE:

This is only for

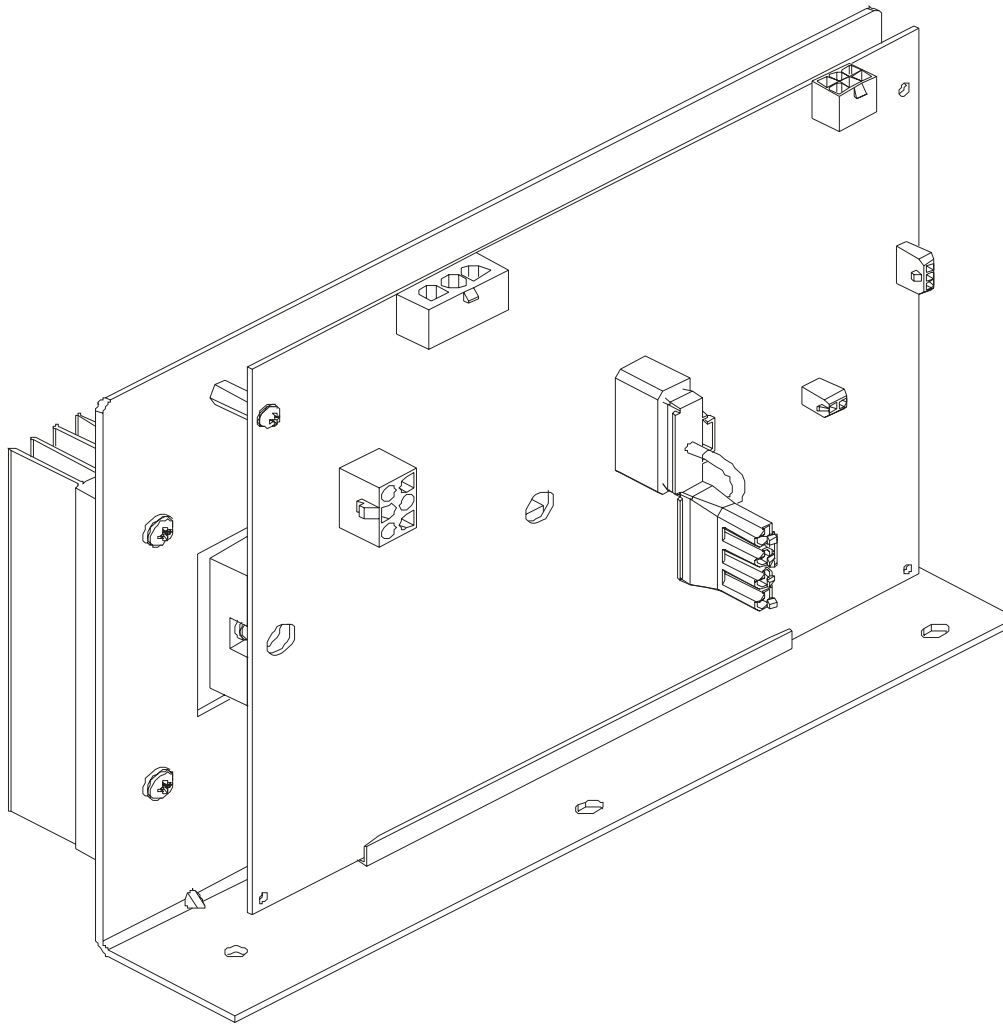
**93T-0100-08 ENG/ENG 120/60 DOM UNITS**

**ARCTIC SILVER 93Ti**

**Motor Controller Assy. – 93T-0100-08 ONLY**

**93T-XXXX-08**

**S/N TTW100000 and up**



**PLEASE NOTE:**

**This Motor Controller is only used on  
93T-0100-08 93T ENG/ENG 120/60 DOM UNITS**

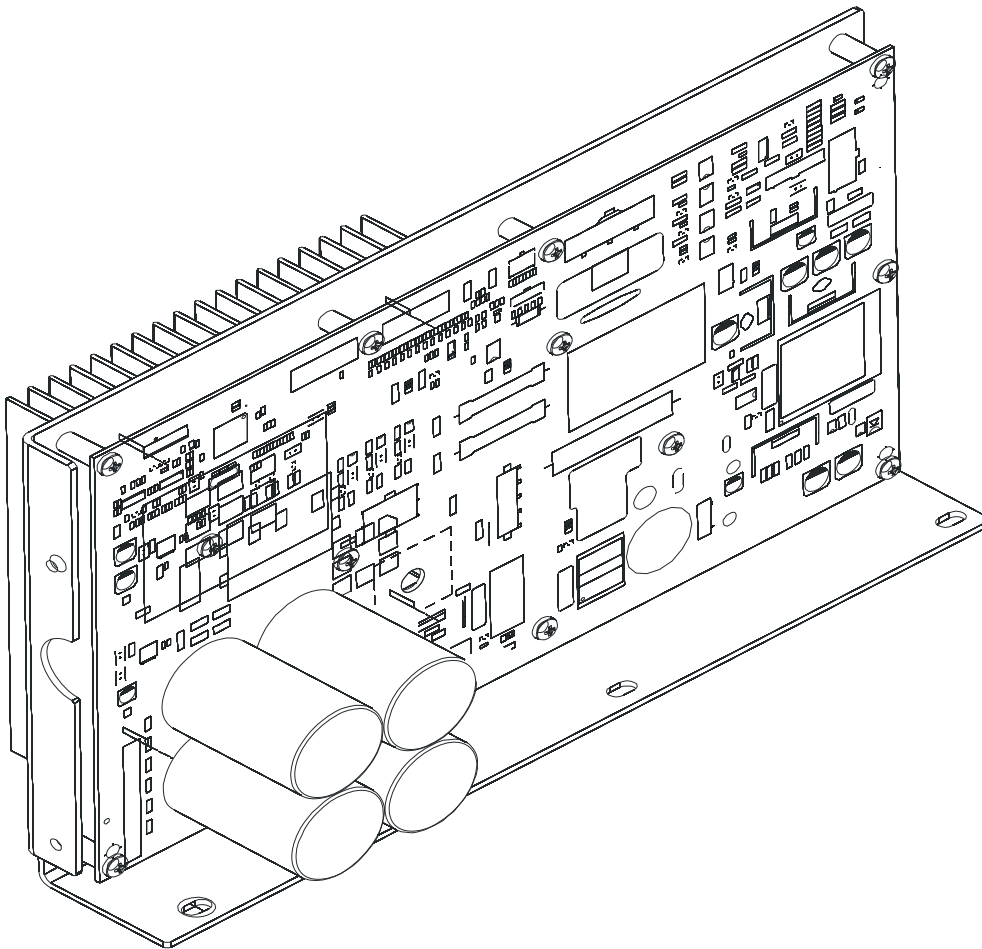
**AK60-00171-0000 - MTR-CNTRL ASSY: MFG; W/O FERRITE; 100-120; S/C-C**

# ARCTIC SILVER 93Ti

DSP-Controller Assy. – ALL OTHER MODELS

93T-XXXX-08

S/N TTW100000 and up



VOLTAGE	PART NUMBER	PART DESCRIPTION
100-120	GK58-00002-0118	KIT: SERV; MFG; DSP CONTROLLER 100-120; LED
200-240	GK58-00002-0120	KIT: SERV; MFG; DSP CONTROLLER 200-240; LED

**ARCTIC SILVER 93Ti****93T-XXXX-08****Line-Cords & Line-Cord Options****S/N TTW100000 and up**

<b>MODEL #</b>	<b>MODEL DESCRIPTION</b>	<b>STANDARD LINE-CORDS</b>
93T-0100-08	93T ENG/ENG 120/60 DOM	0017-00003-0974 LINE-CORD: R/A; 96"; W/RECP S/C-C
93T-0300-08	93T FRN/MET 120/60 DOM	
93T-0400-08	93T SPN/MET 120/60 DOM	
93T-0800-08	93T POR/MET 120/60 DOM	
93T-0103-08	93T ENG+MET 220/60 DOM	0017-00003-0781 LINE-CORD: R/A; 220V; USA D
93T-0105-08	93T ENG+MET 100/50 DOM	
93T-0106-08	93T ENG+MET 200/50 DOM	
93T-0705-08	93T JAP/MET 100/50 DOM	
93T-0706-08	93T JAP/MET 200/50 DOM	
93T-0101-08	93T ENG+MET 230/50 CON	0017-00003-0696 LINE-CORD: R/A; CEE7; 103" 10A 250V D
93T-0201-08	93T GER/MET 230/50 CON	
93T-0301-08	93T FRN/MET 230/50 CON	
93T-0401-08	93T SPN/MET 230/50 CON	
93T-0501-08	93T ITL/MET 230/50 CON	
93T-0601-08	93T DUT/MET 230/50 CON	
93T-0801-08	93T POR/MET 230/50 CON	
93T-1601-08	93T ENG/TUR 230/50 CON	
93T-0102-08	93T ENG+MET 240/50 UK	0017-00003-0890 LINE-CORD: U.K; R/A
93T-0109-08	93T ENG+MET 230/50 UK	
93T-0104-08	93T ENG+MET 240V+ AUS	0017-00003-0996 LINE-CORD: IEC; AUSTRALIAN; 230/50 C

<b>OPTIONAL LINE-CORDS</b>		
0017-00003-0947	LINE-CORD: 120V; 20A;	12'
0017-00003-0915	LINE-CORD: R/A 120V	8'
0017-00003-0980	LINE-CORD: R/A; NEMA 5-20 144"	12'
0017-00003-0981	LINE-CORD: R/A; W/PLUG 220/60	7.5'
0017-00003-0948	LINE-CORD: 220V; 15A;	12'

**ARCTIC SILVER 93Ti**

Cables for Units Between 0100 - 0104

**93T-XXXX-08**

S/N TTW100000 and up

PART NUMBER	PART DESCRIPTION	93T-XXXX-08				
		0100 120/60 DOM	0101 230/50 CON	0102 240/50 UK	0103 220/60 DOM	0104 240V+ CON
0017-00003-0626	CIRCUIT-BREAKER: 2A S/C#18-D		X	X	X	X
0017-00003-0898	FILTER: LINE; 10-AMP 4-SHT C		X	X		
0017-00003-0950	CIRCUIT-BREAKER: 4A S/C#18-D					
0017-00003-1015	FILTER: LINE; 20A 3-SHTS C	X			X	X
AK58-00030-0000	CBL-ASSY: EXT FRAME TAG MEM. C	X				
AK58-00031-0000	CBL-ASSY: SIDE-CONSOLE C					
AK58-00032-0000	CBL-ASSY: USER SENSE PROX. C	X	X	X	X	X
AK58-00034-0001	CBL-ASSY: CONSOLE; PWR; UPR C	X	X	X	X	X
AK58-00035-0001	CBL-ASSY: MTR-CNTR INTERFACE C	X				
AK58-00036-0000	CBL-ASSY: EMERGENCY-STOP C	X	X	X	X	X
AK58-00041-0001	CBL-ASSY: H/R SENSORS C	X	X	X	X	X
AK58-00043-0000	CBL-ASSY: SPEED-PICKUP EXTEN C	X				
AK58-00081-0000	CBL-ASSY: JUMPER; BLK; 4" B	X	X	X	X	X
AK58-00082-0000	CBL-ASSY: JUMPER; WHT; 6" B	X	X	X	X	X
AK58-00083-0000	CBL-ASSY: JUMPER; GR/YL; 5" B	X	X	X	X	X
AK58-00210-0000	XFRMR-BRKT ASSY: MFG. C		X	X	X	X
AK58-00222-0000	CBL-ASSY: POWER; 120V C	X				
AK58-00224-0001	CBL-ASSY: MOV; FILTER C	X	X	X	X	X
AK58-00263-0000	CBL-ASSY: HI-POT JUMPER B	X	X	X	X	X
AK58-00520-0000	CBL-ASSY: POWER; 100-200V C	X				
AK58-00522-0000	CBL-ASSY: JUMPER; POWER; LED-CONS B		X	X	X	X
AK58-00524-0000	CBL-ASSY: THERMAL ADAPTER B		X	X	X	X
AK58-00596-0001	CBL-ASSY: POWER; 230-240V; LED; S/C-C		X	X	X	X

**ARCTIC SILVER 93Ti**

Cables for Units Between 0105 - 0300

**93T-XXXX-08**

S/N TTW100000 and up

PART NUMBER	PART DESCRIPTION	93T-XXXX-08				
		0105 100/50 DOM	0106 200/50 DOM	0109 230/50 CON	0201 230/50 CON	0300 120/60 DOM
0017-00003-0626	CIRCUIT-BREAKER: 2A S/C#18-D		X	X	X	
0017-00003-0898	FILTER: LINE; 10-AMP 4-SHT C		X	X		
0017-00003-0950	CIRCUIT-BREAKER: 4A S/C#18-D	X				
0017-00003-1015	FILTER: LINE; 20A 3-SHTS C	X	X			X
AK58-00030-0000	CBL-ASSY: EXT FRAME TAG MEM. C					
AK58-00031-0000	CBL-ASSY: SIDE-CONSOLE C					
AK58-00032-0000	CBL-ASSY: USER SENSE PROX. C	X	X	X	X	X
AK58-00034-0001	CBL-ASSY: CONSOLE; PWR; UPR C	X	X	X	X	X
AK58-00035-0001	CBL-ASSY: MTR-CNTR INTERFACE C					
AK58-00036-0000	CBL-ASSY: EMERGENCY-STOP C	X	X	X	X	X
AK58-00041-0001	CBL-ASSY: H/R SENSORS C	X	X	X	X	X
AK58-00043-0000	CBL-ASSY: SPEED-PICKUP EXTEN C					
AK58-00081-0000	CBL-ASSY: JUMPER; BLK; 4" B	X	X	X	X	X
AK58-00082-0000	CBL-ASSY: JUMPER; WHT; 6" B	X	X	X	X	X
AK58-00083-0000	CBL-ASSY: JUMPER; GR/YL; 5" B	X	X	X	X	X
AK58-00210-0000	XFRMR-BRKT ASSY: MFG. C		X	X	X	
AK58-00222-0000	CBL-ASSY: POWER; 120V C					
AK58-00224-0001	CBL-ASSY: MOV; FILTER C	X	X	X	X	X
AK58-00263-0000	CBL-ASSY: HI-POT JUMPER B	X	X	X	X	X
AK58-00520-0000	CBL-ASSY: POWER; 100-200V C	X				X
AK58-00522-0000	CBL-ASSY: JUMPER; POWER; LED-CONS B	X	X	X	X	X
AK58-00524-0000	CBL-ASSY: THERMAL ADAPTER B	X	X	X	X	X
AK58-00596-0001	CBL-ASSY: POWER; 230-240V; LED; S/C-C		X	X	X	

**ARCTIC SILVER 93Ti**

Cables for Units Between 0301 - 0601

**93T-XXXX-08**

S/N TTW100000 and up

PART NUMBER	PART DESCRIPTION	93T-XXXX-08				
		0301 230/50 CON	0400 120/60 DOM	0401 230/50 CON	0501 230/50 CON	0601 230/50 CON
0017-00003-0626	CIRCUIT-BREAKER: 2A S/C#18-D	X		X	X	X
0017-00003-0898	FILTER: LINE; 10-AMP 4-SHT C	X		X	X	X
0017-00003-0950	CIRCUIT-BREAKER: 4A S/C#18-D					
0017-00003-1015	FILTER: LINE; 20A 3-SHTS C		X			
AK58-00030-0000	CBL-ASSY: EXT FRAME TAG MEM. C					
AK58-00031-0000	CBL-ASSY: SIDE-CONSOLE C					
AK58-00032-0000	CBL-ASSY: USER SENSE PROX. C	X	X	X	X	X
AK58-00034-0001	CBL-ASSY: CONSOLE; PWR; UPR C	X	X	X	X	X
AK58-00035-0001	CBL-ASSY: MTR-CNTR INTERFACE C					
AK58-00036-0000	CBL-ASSY: EMERGENCY-STOP C	X	X	X	X	X
AK58-00041-0001	CBL-ASSY: H/R SENSORS C	X	X	X	X	X
AK58-00043-0000	CBL-ASSY: SPEED-PICKUP EXTEN C					
AK58-00081-0000	CBL-ASSY: JUMPER; BLK; 4" B	X	X	X	X	X
AK58-00082-0000	CBL-ASSY: JUMPER; WHT; 6" B	X	X	X	X	X
AK58-00083-0000	CBL-ASSY: JUMPER; GR/YL; 5" B	X	X	X	X	X
AK58-00210-0000	XFRMR-BRKT ASSY: MFG. C	X		X	X	X
AK58-00222-0000	CBL-ASSY: POWER; 120V C					
AK58-00224-0001	CBL-ASSY: MOV; FILTER C	X	X	X	X	X
AK58-00263-0000	CBL-ASSY: HI-POT JUMPER B	X	X	X	X	X
AK58-00520-0000	CBL-ASSY: POWER; 100-200V C		X			
AK58-00522-0000	CBL-ASSY: JUMPER; POWER; LED-CONS B	X	X	X	X	X
AK58-00524-0000	CBL-ASSY: THERMAL ADAPTER B	X	X	X	X	X
AK58-00596-0001	CBL-ASSY: POWER; 230-240V; LED; S/C-C	X		X	X	X



**ARCTIC SILVER 93Ti**

Cables for Units Between 0705 - 1601

**93T-XXXX-08**

S/N TTW100000 and up

PART NUMBER	PART DESCRIPTION	93T-XXXX-08				
		0705 100/50 DOM	0706 200/50 DOM	0800 120/50 DOM	0801 230/50 CON	1601 230/50 CON
0017-00003-0626	CIRCUIT-BREAKER: 2A S/C#18-D		X		X	X
0017-00003-0898	FILTER: LINE; 10-AMP 4-SHT C				X	X
0017-00003-0950	CIRCUIT-BREAKER: 4A S/C#18-D					
0017-00003-1015	FILTER: LINE; 20A 3-SHTS C	X	X	X		
AK32-00020-0002	CBL-ASSY: COAX; 120" S/C-B	X	X	X	X	X
AK32-00078-0001	CBL-ASSY: PWR EXT; 120" S/C-C	X	X	X	X	X
AK58-00030-0000	CBL-ASSY: EXT FRAME TAG MEM. C					
AK58-00031-0000	CBL-ASSY: SIDE-CONSOLE C	X	X			
AK58-00032-0000	CBL-ASSY: USER SENSE PROX. C	X	X	X	X	X
AK58-00034-0001	CBL-ASSY: CONSOLE; PWR; UPR C	X	X	X	X	X
AK58-00035-0001	CBL-ASSY: MTR-CNTR INTERFACE C					
AK58-00036-0000	CBL-ASSY: EMERGENCY-STOP C	X	X	X	X	X
AK58-00041-0001	CBL-ASSY: H/R SENSORS C	X	X	X	X	X
AK58-00043-0000	CBL-ASSY: SPEED-PICKUP EXTEN C					
AK58-00081-0000	CBL-ASSY: JUMPER; BLK; 4" B	X	X	X	X	X
AK58-00082-0000	CBL-ASSY: JUMPER; WHT; 6" B	X	X	X	X	X
AK58-00083-0000	CBL-ASSY: JUMPER; GR/YL; 5" B	X	X	X	X	X
AK58-00210-0000	XFRMR-BRKT ASSY: MFG. C		X		X	X
AK58-00222-0000	CBL-ASSY: POWER; 120V C	X				
AK58-00224-0001	CBL-ASSY: MOV; FILTER C	X	X	X	X	X
AK58-00237-0000	CBL-ASSY: POLAR/E-STOP C	X	X	X	X	X
AK58-00263-0000	CBL-ASSY: HI-POT JUMPER B	X	X	X	X	X
AK58-00520-0000	CBL-ASSY: POWER; 100-200V C	X		X		
AK58-00522-0000	CBL-ASSY: JUMPER; POWER; LED-CONS B	X	X	X	X	X
AK58-00524-0000	CBL-ASSY: THERMAL ADAPTER B	X	X	X	X	X
AK58-00596-0001	CBL-ASSY: POWER; 230-240V; LED; S/C-C		X		X	X