

RESMED

Log on now to www.rmyresmed.com
to find useful tips on managing your treatment

Manufactured by:

ResMed Ltd | Elizabeth MacArthur Drive Bella Vista NSW 2153 Australia
Tel: +61 (2) 8884 1000 or 1 800 658 189 (toll free) Fax: +61 (2) 8883 3114 Email: reception@resmed.com.au

ResMed Offices:

ResMed Corp 14040 Danielson Street Poway CA 92064-6857 USA
Tel: +1 (858) 746-2400 or 1-800-424-0737 (toll free) Fax: +1 (858) 746-2900 Email: reception@resmed.com

ResMed (UK) Ltd 65 Milton Park Abingdon Oxfordshire OX14 4RX UK
Tel: +44 (1235) 862 997 Fax: +44 (1235) 831 336 Email: reception@resmed.co.uk

ResMed Asia Pacific Ltd 97 Waterloo Road North Ryde NSW 2113 Australia
Tel: +61 (2) 9886 5000 or 1 800 991 900 (toll free) Fax: +61 (2) 9889 1471 Email: reception@resmed.com.au

ResMed Finland Niitykatu 6 FIN 02200 Espoo Suomi
Tel: +358 9 8676820 Fax: +358 9 86768222 Email: reception@resmed.fi

ResMed GmbH & Co. KG Fraunhoferstraße 16 D-82152 Martinsried Deutschland
Tel: +49 (0) 89 / 99 01 - 00 Fax: +49 (0) 89 / 99 01 - 10 55 Email: reception@resmed.de

ResMed Hong Kong Ltd Room 1714 Miramar Tower 132-134 Nathan Road Tsim Sha Tsui Hong Kong
Tel: +852 2366 0707 Fax: +852 2366 4546 Email: reception@resmed.com.hk

ResMed Japan Nihonbashi Hisamatsu Bldg. 4F 2-28-1 Nihonbashi-Hamacho Chuo-Ku, Tokyo 103-0007 Japan
Tel: +81 (3) 3662 5056 Fax: +81 (3) 3662 5040

ResMed Malaysia Sdn Bhd Suite E-10-20, Plaza Mont'Kiara No. 2, Jalan 1/70C Mont'Kiara 50480 Kuala Lumpur, Malaysia
Tel: +60 3 6201 7177 Fax: +60 3 6201 2177 Email: reception@resmed.com.my

ResMed NZ Ltd PO Box 51-048 Pakuranga Auckland New Zealand
Tel: +0800 737 633 (NZ toll free) or +64 274 737 633 Fax: +0800 737 634 (NZ toll free) or +64 9 239 0193
Email: reception@resmed.co.nz

ResMed SA Parc de la Bandonnière 2 rue Maurice Audibert 69800 Saint-Priest France
Tel: +33 (0) 4 37 251 251 Fax: +33 (0) 4 37 251 260 Email: reception@resmed.fr

ResMed Singapore Pte Ltd 238A Thomson Road # 12-03/04 Novena Square Tower A Singapore 307684
Tel: +65 6284 7177 Fax: +65 6284 7787 Email: reception@resmed.com.sg

ResMed Spain SL C/ Arturo Soria, 245 28033 Madrid España

ResMed Sweden AB Industrigatan 2 S-461 37 Trollhättan Sverige
Tel: +46 520 420 110 Fax: +46 520 397 15 Email: reception@resmed.se

Labhardt AG Thamerstrasse 57 CH-4054 Basel Schweiz
Tel: +41 (061) 307 9711 Fax: +41 (061) 307 9722 Email: info@labhardt.ch

US DESIGNATED AGENT: ResMed Corp

EU AUTHORIZED REPRESENTATIVE: ResMed (UK) Ltd

Ultra Mirage II Nasal Mask

Protected by patents: AU 710733, AU 741003, AU 766623, AU 772832, AU 775051, CA 2261790, DE 29724224, EP 0956069, NZ 513052, NZ 526165, US 6112746, US 6357441, US 6374826, US 6412487, US 6439230, US 6463931, US 6532961, US 6557561, US 6581602, US 663358, US 6691707, US 6796308, Other patents pending
Protected by design registrations: AU 139764, DE 49911833, DE 40301991, FR 997839, FR 031425, JP 1117921, JP 1197930, US D443355, US D486227, US D493522, Others pending.

Ultra Mirage, Mirage and AutoSet T are trademarks of ResMed Ltd and Mirage and AutoSet T are Registered in U.S. Patent and Trademark Office.

Velcro is a registered trademark of Velcro Industries B.V.

Dove is a registered trademark of Unilever.

© 2004 ResMed Ltd.

Reorder No. 168131/1 04 12

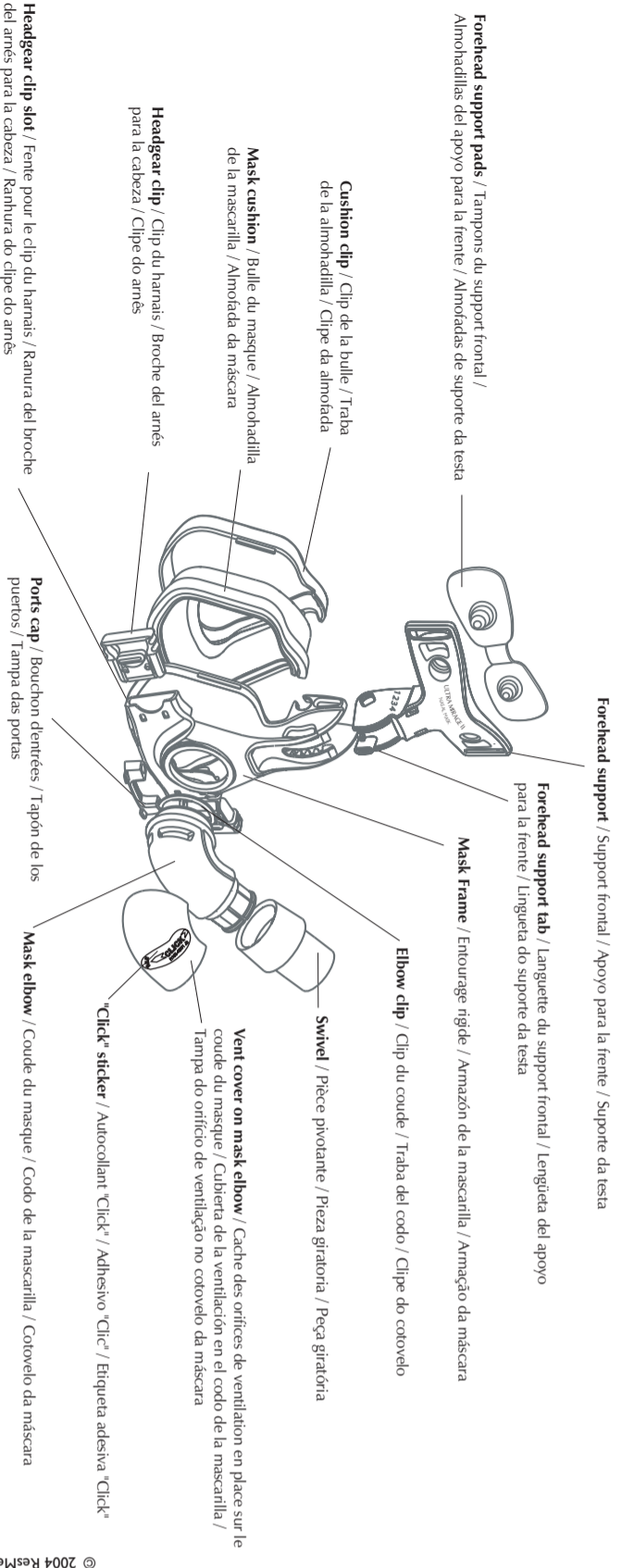
Ultra Mirage™ II Nasal Mask

USER'S GUIDE

Multilingual—Americas

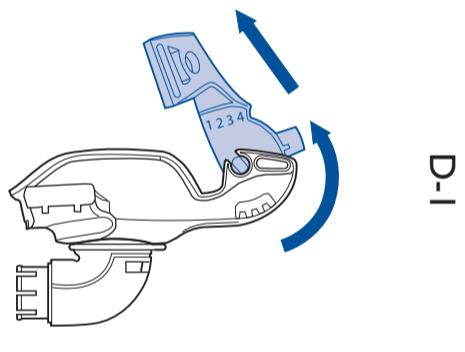


B Mask Parts / Composants du masque / Piezas de la mascarilla / Peças da máscara

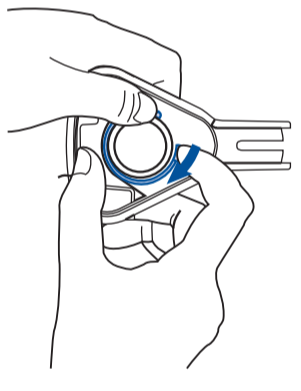


© 2004 ResMed Ltd.

D Disassembling / Démontage / Desmontaje / Desmontar

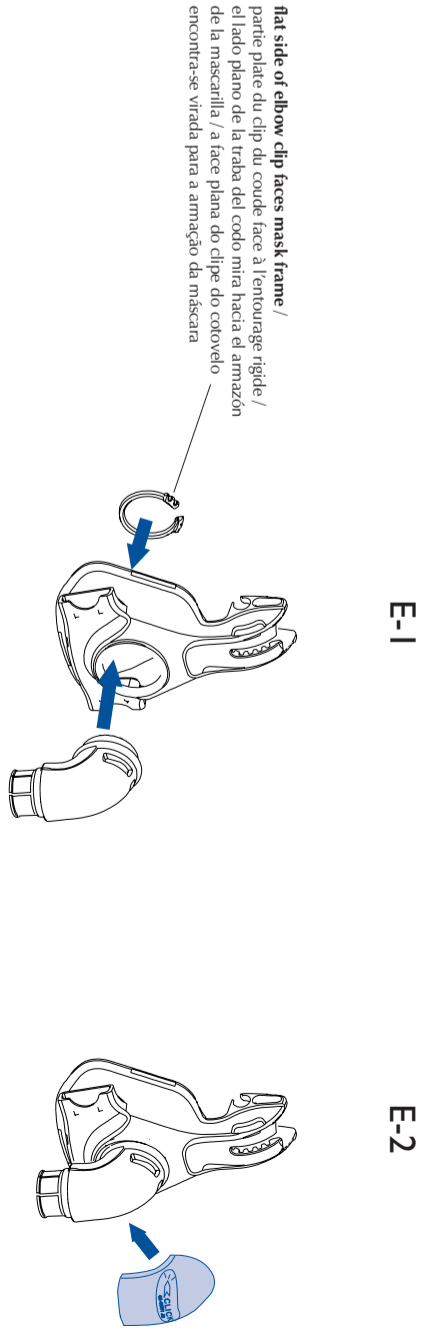


D-2



© 2004 ResMed Ltd.

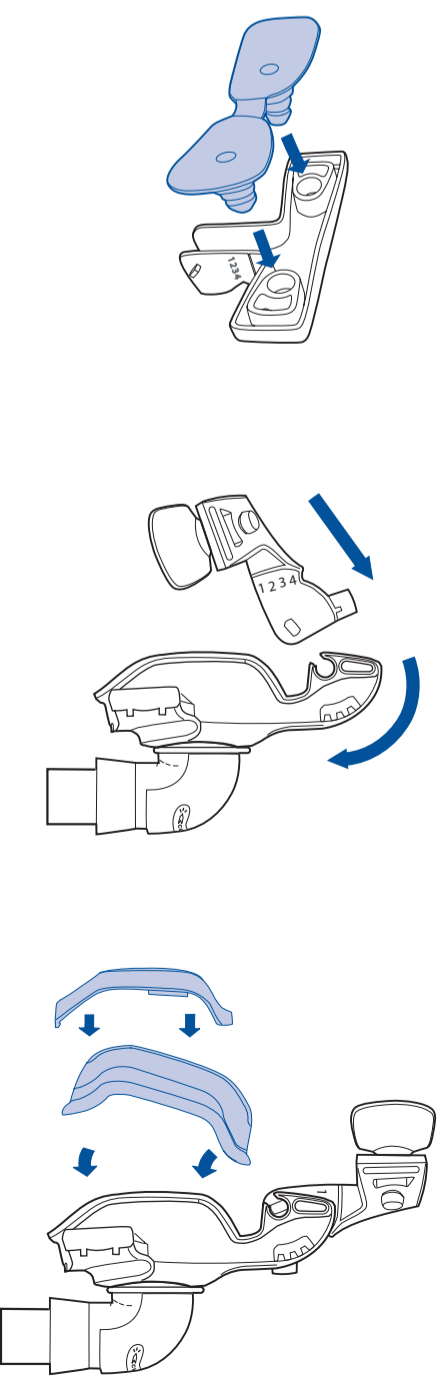
E Reassembling / Remontage / Montaje / Montagem



E-3

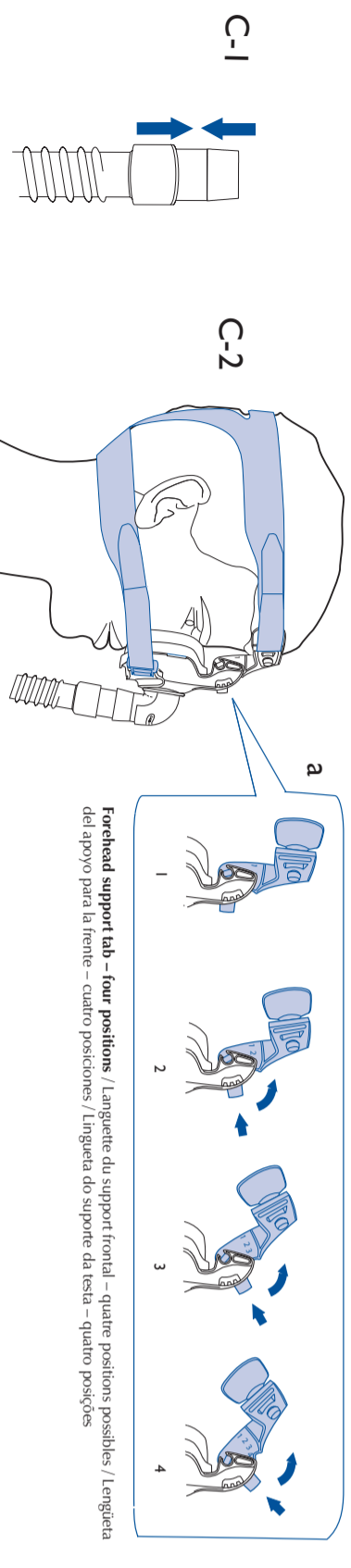
E-4

E-5



© 2004 ResMed Ltd.

C Fitting / Ajustement / Colocación / Ajuste



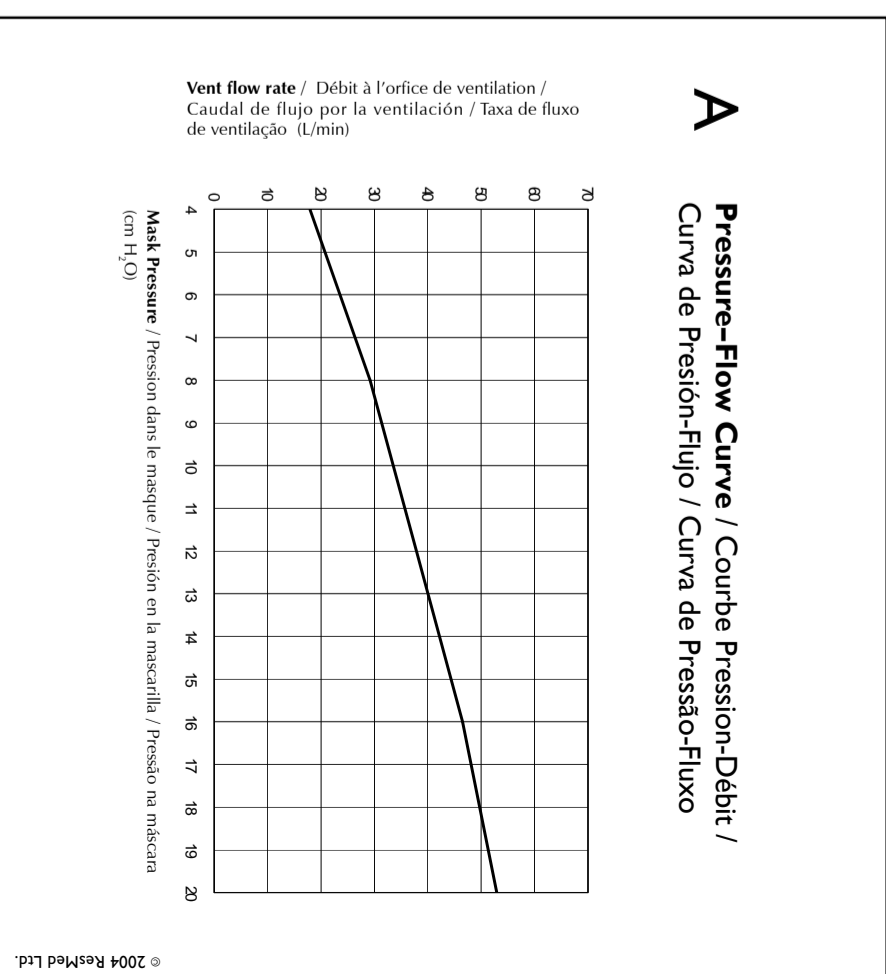
© 2004 ResMed Ltd.

ILLUSTRATIONS SHEET / FICHE D'ILLUSTRATIONS / HOJA DE FIGURAS / FOLHETO DE ILUSTRAÇÕES

Note: For complete instructions, read the text section in conjunction with the illustrations on this sheet. / **Remarque :** pour les instructions complètes, veuillez vous référer au texte et aux illustrations de cette fiche. / **Nota:** Para instrucciones detalladas, sírvase leer el texto en conjunto con las ilustraciones de esta hoja. / **Nota:** Para obter informações completas, leia a secção de texto juntamente com as ilustrações que se encontram neste folheto.

Note: As a result of manufacturing variations, the vent flow may vary from the values listed in the following table. / **Remarque :** en raison des variations de fabrication, le débit aux orifices de ventilation peut différer des valeurs indiquées dans le tableau suivant. / **Nota:** Como resultado de variaciones en la fabricación, el flujo de ventilación podrá variar en relación con los valores listados en la siguiente tabla. / **Nota:** Como resultado de variações de fabrico, o fluxo de ventilação poderá variar em relação aos valores listados no quadro seguinte.

Pressure / Pession / Presión / Pressão	Flow / Débit / Flujo / Fluxo
4	18
8	29
12	38
16	46
20	53



Ultra Mirage™ II Nasal Mask

Thank you for choosing ResMed's
ULTRA MIRAGE™ II NASAL MASK.

This mask is similar to the original
ULTRA MIRAGE™ NASAL MASK and the two
masks are equivalent in performance. The
new upgraded mask includes an improved
forehead support with flexible pads that
conform to the shape of your forehead.

This user's guide provides you with the
information you need for the correct use
of your mask.

INTENDED USE

The ULTRA MIRAGE II NASAL MASK is
intended for multipatient use for adult
patients prescribed continuous positive
airway pressure (CPAP) or bilevel therapy
in hospital, clinic, and/or home
environments.



CAUTION

In the USA, federal law restricts this
device to sale by, or on the order of, a
physician.

MEDICAL INFORMATION

Note: *The mask system does not contain
latex materials. If you have ANY reaction to
any part of the mask system, discontinue
use and consult your sleep therapist.*



WARNINGS AND CAUTIONS

- This mask should be used only with
CPAP or bilevel systems
recommended by your physician or
respiratory therapist. A mask should
not be used unless the CPAP or bilevel
system is turned on and operating
properly. The exhaust vent should
never be blocked.

Explanation of the Warning: CPAP
and bilevel systems are intended to be
used with special masks with
connectors which may have vent holes
or separate exhaust vents to allow
continuous flow of air out of the mask.
When the CPAP or bilevel device is
turned on and functioning properly,
new air from the flow generator flushes
the exhaled air out through the
attached mask exhaust vent. However,
when the CPAP or bilevel device is not
operating, enough fresh air will not be
provided through the mask, and
exhaled air may be rebreathed.
Rebreathing of exhaled air for longer
than several minutes can in some
circumstances lead to suffocation. This
warning applies to most models of
CPAP or bilevel systems.

- At low CPAP pressures, the flow through the exhaust vent may be inadequate to clear all exhaled gas from the tubing. Some rebreathing may occur.

Explanation of the Warning: The exhaust vent flow is lower at lower mask pressures (see Pressure–Flow Curve in section **A** on the illustrations sheet). To avoid rebreathing it is recommended that a mask pressure of 4 cm H₂O or more be used.

- If oxygen is used with the CPAP or bilevel device, the oxygen flow must be turned off when the flow generator is not operating.

Explanation of the Warning: When the CPAP or bilevel device is not in operation, and the oxygen flow is left on, oxygen delivered into the ventilator tubing may accumulate within the flow generator enclosure. Oxygen accumulated in the CPAP or bilevel device enclosure will create a risk of fire. This warning applies to most types of CPAP or bilevel flow generators.

- Please refrain from smoking while oxygen is in use.

Note: *At a fixed rate of supplemental oxygen flow, the inhaled oxygen concentration will vary, depending on the pressure settings, patient breathing pattern, mask selection, and leak rate.*

PARTS OF THE MASK

See section **B** on the illustrations sheet.

FITTING THE MASK

See section **C** on the illustrations sheet.

Note: *Before fitting the mask, refer to the section “Cleaning the Mask in the Home”.*

- 1 Push the air tubing all the way onto the swivel. The end of the air tubing and the ridge of the swivel must completely meet (**Fig. C-1**). Connect the other end of the air tubing to your flow generator.
- 2 Place the cushion over your nose, pull the headgear over your head and make the straps pass below your ears. Connect the other headgear clip to the mask frame.
Use the Velcro® straps to adjust the fit of the headgear. Do not overtighten the straps (**Fig. C-2**).
- 3 The pads of the forehead support should lightly touch your forehead when the mask is in place.
Adjust the forehead support if required, by moving it to one of the other tab positions (**Fig. C-2a**). There are four tab positions (1–4). To change a tab position, first, loosen the headgear straps. Then, press the forehead support tab and move it upwards to the next position (eg, from position 1 move it to position 2). Once again, gently tighten the headgear straps.
- 4 Grasp the edges of the vent cover on both sides of the “Click” sticker at the same time. Firmly push the vent cover onto the mask elbow to make sure it is clicked securely in place.
- 5 Turn the flow generator on. Lie down and check that the mask is comfortable and there are no air leaks. If there are air leaks, you may need to readjust the Velcro straps (see Step 2) or forehead support (see Step 3).

Notes:

- If you are unable to resolve any leaks you may need to try another cushion size.
- Select “Ultra” as the mask option when using the ULTRA MIRAGE II with ResMed flow generators that have mask setting options.

**CAUTION**

This mask is not compatible with those AutoSet T™ flow generators that have an internal pressure sensor line. It is compatible with all other ResMed AutoSet™ flow generators.

REMOVING THE MASK

To remove the mask, depress the tabs of the headgear clips. This releases the headgear clips from the mask frame. Pull the mask and headgear away from your head.

Notes:

- Do not pull the headgear off your head without releasing the headgear clips first.
- Check that you can remove the headgear clips or the headgear unaided.

DISASSEMBLING FOR CLEANING

See section D on the illustrations sheet.

- 1 Detach and separate the main air tubing, headgear, headgear clips, swivel, forehead pads, cushion clip, cushion, and ports cap.
- 2 Use your thumb on the side of the vent cover to remove it from the mask elbow.
- 3 Depress the forehead support tab and move it past the top tab position. This allows you to remove the forehead support from the mask frame (Fig. D-1).

- 4 From the inside of the mask frame, hold one side of the elbow clip in place and release the other side of the clip (Fig. D-2). Remove the clip and mask elbow from the mask frame.

CLEANING THE MASK IN THE HOME**Notes:**

- Wash the headgear before first time use, as the dye may run. It is important to always handwash the headgear.
- The headgear may be washed without being disassembled.

DAILY/AFTER EACH USE

Handwash the mask components in lukewarm, soapy water. Use pure soap (an example of pure soap is Dove® soap, unscented; made by Unilever). Rinse the components well and allow them to air dry out of direct sunlight.

WEEKLY

Handwash the headgear in warm, soapy water. Use pure soap. Rinse well and allow it to air dry out of direct sunlight.

**CAUTIONS**

- Do not use solutions containing bleach, chlorine, alcohol, aromatics, moisturizers, antibacterial agents, or scented oils to clean any part of the mask system or air tubing. These solutions may cause damage and reduce the life of the product.
- Do not expose any part of the mask system or tubing to direct sunlight as it may deteriorate.

- If any visible deterioration of a mask component is apparent (cracking, crazing, tears etc), the mask component should be discarded and replaced.

CLEANING THE MASK BETWEEN PATIENTS

The mask system is validated for multipatient use. Clinicians should refer to the *Ultra Mirage II Nasal Mask Disinfection Guide* for details.

To clean the headgear between patients use the method described in the previous section "Cleaning the Mask in the Home".

REASSEMBLING THE MASK

See section **E** on the illustrations sheet.

- 1 Insert the ports cap into the ports. Make sure the tabs of the ports cap face away from the mask.
- 2 Insert the mask elbow into the mask frame and secure it with the elbow clip on the inside of the frame (**Fig. E-1**). The flat side of the elbow clip must face the mask frame. If you have fitted the mask elbow correctly, it should not move when you try to firmly pull it away from the frame.
- 3 Grasp the edges of the vent cover on both sides of the "Click" sticker at the same time. Firmly push the vent cover onto the mask elbow to make sure it is clicked securely in place (**Fig. E-2**).
- 4 Push the swivel onto the end of the mask elbow.
- 5 Attach the forehead pads to the forehead support by inserting the pad plugs into the two holes on the back of the forehead support (**Fig E-3**). Push the pads firmly against the forehead support

to ensure that the pads fit securely into the forehead support.

- 6 Reconnect the forehead support to the mask frame. Depress the tab and move the forehead support into one of the four tab positions (**Fig. E-4**).
- 7 Fit the grooved edge of the nasal cushion to the mask frame. Fit the top section first, then work your way around the mask, pushing the cushion onto the frame, ensuring a good seal has been achieved. Push the cushion clip over the cushion onto the mask frame, ensuring it clicks into place in all locations (**Fig. E-5**).
- 8 Connect the headgear clips to the mask frame. Thread the headgear straps through the slots on the forehead support and the headgear clips. The **ULTRA MIRAGE** headgear label should face outwards and be near your neck when fitted. Fasten the Velcro straps.

TECHNICAL SPECIFICATIONS

PRESSURE–FLOW CURVE

See section **A** on the illustrations sheet.

DEAD SPACE INFORMATION

Dead space is the empty volume of the mask up to the swivel.

The dead space of the mask varies according to cushion sizes but is less than 135 mL.

Note: *The manufacturer reserves the right to change these specifications without notice.*

REPLACEMENT PARTS

Part No.	Item
16563	Cushion clip
16557	Cushion, <i>Large</i>
16558	Cushion, <i>Shallow</i>
16735	Cushion, <i>Shallow-wide</i>
16556	Cushion, <i>Standard</i>
16566	Elbow assembly
16572	Elbow clip (1 pk.)
16573	Elbow clip (10 pk.)
60123	Forehead pads (1 pk.)
60124	Forehead pads (10 pk.)
16590	Forehead support with pads
16594	Frame assembly
16728	Frame System with Cushion, <i>Large</i>
16727	Frame System with Cushion, <i>Shallow</i>
16736	Frame System with Cushion, <i>Shallow-wide</i>
16726	Frame System with Cushion, <i>Standard</i>
16119	Headgear, <i>Large</i>
16117	Headgear, <i>Standard</i>
16118	Headgear, <i>Small</i>
16569	Headgear clip (2 pk.)
16734	Headgear clip (10 pk.)
16560	Mask frame
16570	Ports cap/s (2 pk.)
16571	Ports cap/s (10 pk.)
16565	Swivel
16575	Vent cover

LIMITED WARRANTY

ResMed warrants that your ResMed mask system, including its components: mask frame, cushion, headgear, tubing and other accessories ("Product") shall be free from defects in material and workmanship for a period of ninety (90) days from the date of purchase by the initial consumer.

For further details refer to the Warranty.

Masque nasal Ultra Mirage™ II

Merci d'avoir choisi le MASQUE NASAL ULTRA MIRAGE™ II ResMed.

Ce masque est similaire au premier MASQUE NASAL ULTRA MIRAGE™, et leur performance est identique. La nouvelle version du masque comprend un support frontal amélioré avec des tampons flexibles qui lui permettent de s'adapter à la forme de votre front.

Ce guide utilisateur vous procure toutes les informations dont vous avez besoin pour utiliser votre masque correctement.

USAGE PRÉVU

Le MASQUE NASAL ULTRA MIRAGE II est un masque pouvant être utilisé sur plusieurs patients. Il est prévu pour le traitement par pression positive continue (PPC) ou à deux niveaux de pression des adultes en milieu hospitalier, clinique et/ou à domicile.



ATTENTION

Selon la loi fédérale américaine, ce dispositif ne peut être vendu aux U.S.A. que par un médecin ou sur prescription médicale.

INFORMATIONS MÉDICALES

Remarque : le masque ne contient pas de latex. En cas de réaction QUELCONQUE à l'un des composants du masque, arrêtez le traitement et consultez votre spécialiste du sommeil.



AVERTISSEMENTS ET PRÉCAUTIONS

- Ce masque doit être utilisé uniquement avec l'appareil de PPC ou d'aide inspiratoire avec PEP recommandé par votre médecin ou votre pneumologue. Un masque ne doit être porté que si l'appareil de PPC ou d'aide inspiratoire avec PEP est sous tension et s'il fonctionne correctement. Les orifices de ventilation ne doivent jamais être obstrués.

Explication de cet avertissement : les appareils de PPC et d'aide inspiratoire avec PEP ont été conçus pour une utilisation avec des masques spécifiques possédant des raccords avec des orifices de ventilation ou d'autres dispositifs de ventilation afin de permettre l'écoulement continu de l'air hors du masque. Lorsque l'appareil de PPC ou d'aide inspiratoire avec PEP est sous tension et qu'il fonctionne correctement, de l'air propre provenant de l'appareil expulse l'air

expiré via les orifices de ventilation du masque. Cependant, lorsque l'appareil de PPC ou d'aide inspiratoire avec PEP n'est pas en marche, l'air n'est pas renouvelé dans le masque et l'air expiré peut être réinhalé. Dans certaines circonstances, la réinhalation de l'air expiré pendant une durée supérieure à quelques minutes peut entraîner la suffocation. Cet avertissement s'applique à la plupart des appareils de PPC et d'aide inspiratoire avec PEP.

- Lorsque les pressions PPC sont faibles, le débit aux orifices de ventilation peut s'avérer insuffisant pour expulser tous les gaz expirés hors du circuit respiratoire. Une réinhalation peut se produire.

Explication de cet avertissement : le débit aux orifices de ventilation diminue avec les pressions au masque (voir courbe Pression/Débit de la section **A** de la fiche d'illustrations). Pour éviter toute réinhalation, il est recommandé d'utiliser une pression au masque de 4 cm H₂O minimum.

- Si de l'oxygène est utilisé avec l'appareil de PPC ou d'aide inspiratoire avec PEP, l'alimentation en oxygène doit être fermée lorsque l'appareil n'est pas en marche.

Explication de cet avertissement : lorsque l'appareil de PPC ou d'aide inspiratoire avec PEP n'est pas en marche et que l'alimentation en oxygène n'est pas fermée, l'oxygène délivré dans le circuit du ventilateur peut s'accumuler dans l'appareil. L'oxygène accumulé dans un appareil de PPC ou d'aide inspiratoire avec PEP crée un risque d'incendie. Cet avertissement s'applique à la plupart des appareils de PPC et d'aide inspiratoire avec PEP.

- Éviter de fumer lorsque de l'oxygène est utilisé.

Remarque : lorsque de l'oxygène additionnel est délivré à un débit fixe, la concentration de l'oxygène inhalé varie en fonction des réglages de pression, de la respiration du patient, du masque sélectionné ainsi que du niveau de fuite.

COMPOSANTS DU MASQUE

Voir la section **B** de la fiche d'illustrations.

MISE EN PLACE DU MASQUE

Voir la section **C** de la fiche d'illustrations.

Remarque : avant de mettre le masque en place, veuillez vous référer à la rubrique « Nettoyage du masque à domicile ».

- 1 Poussez le circuit respiratoire sur la pièce pivotante jusqu'à la butée. L'extrémité du circuit respiratoire et le bord de la pièce pivotante doivent être bord à bord (**Fig. C-1**). Raccordez l'autre extrémité du circuit respiratoire à votre appareil.
- 2 Placez la bulle sur votre nez, faites passer le harnais par-dessus votre tête et les sangles inférieures sous vos oreilles. Fixez l'autre clip du harnais à l'entourage rigide. Utilisez les attaches Velcro® pour ajuster le harnais. Ne serrez pas trop les attaches (**Fig. C-2**).
- 3 Les tampons du support frontal devraient reposer légèrement sur votre front lorsque le masque est en place. Si nécessaire, ajustez la position du support frontal en le mettant sur l'une des positions disponibles (**Fig. C-2a**). Il y en a quatre (1 – 4). Pour changer le support frontal de position, commencez par desserrer légèrement les sangles du harnais. Ensuite, appuyez sur la languette du support frontal et mettez-la dans la

position suivante (p. ex. faites-la passer de la position 1 à la position 2). De nouveau, serrez légèrement les sangles du harnais.

- 4 Prenez le cache des orifices de ventilation par les bords, de chaque côté de l'autocollant "Click". Poussez fermement le cache sur le coude du masque pour qu'il se verrouille bien en place.
- 5 Mettez l'appareil sous tension. Allongez-vous et vérifiez que le masque est confortable et qu'il n'y a aucune fuite d'air. En cas de fuites, vous devrez réajuster les attaches Velcro (voir Étape 2) ou le support frontal (voir Étape 3).

Remarques :

- Si les fuites persistent, essayez une autre taille de bulle.
- Lorsque vous utilisez le MASQUE NASAL ULTRA MIRAGE II avec des appareils ResMed disposant d'une fonction de sélection du masque, sélectionnez "Ultra" comme option de masque.



ATTENTION

Ce masque n'est pas compatible avec les AutoSet T™ possédant une prise de pression interne. Il est compatible avec tous les autres appareils de la gamme AutoSet™ ResMed.

RETRAIT DU MASQUE

Pour retirer le masque, appuyez sur les pattes des clips du harnais. Les clips du harnais se dégagent de l'entourage rigide. Retirez le masque et le harnais.

Remarques :

- N'essayez pas de retirer le harnais avant d'avoir détaché ses clips.
- Vérifiez que vous êtes en mesure de détacher les clips du harnais ou de retirer le harnais sans l'aide de personne.

DÉMONTAGE POUR LE NETTOYAGE

Voir la section **D** de la fiche d'illustrations.

- 1 Détachez et séparez le circuit respiratoire, le harnais, les clips du harnais, la pièce pivotante, les tampons frontaux, le clip de la bulle, la bulle et les bouchons d'entrée.
- 2 Retirez le cache des orifices de ventilation du coude du masque à l'aide du pouce.
- 3 Appuyez sur la languette du support frontal et faites-la passer en position supérieure. Cela vous permet de retirer complètement le support frontal de l'entourage rigide (**Fig. D-1**).
- 4 En procédant de l'intérieur de l'entourage rigide, maintenez un côté du clip du coude en place et dégagez l'autre côté (**Fig. D-2**). Retirez le clip et le coude du masque de l'entourage rigide.

NETTOYAGE DU MASQUE À DOMICILE

Remarques :

- Lavez le harnais avant la première utilisation car il risque de déteindre. Il est important de toujours laver le harnais à la main.
- Il n'est pas nécessaire de démonter le harnais pour le nettoyer.

QUOTIDIEN/APRÈS CHAQUE UTILISATION

Lavez les composants du masque à la main dans de l'eau tiède savonneuse. Utilisez du savon pur (le savon Dove® sans parfum, fabriqué par Unilever, est un exemple de savon pur). Rincez tous les composants soigneusement et laissez-les sécher à l'abri de la lumière directe du soleil.

HEBDOMADAIRE

Lavez le harnais à la main dans de l'eau tiède savonneuse. Utilisez du savon pur. Rincez soigneusement et laissez-le sécher à l'abri de la lumière directe du soleil.



ATTENTION

- **Ne pas utiliser de solutions contenant de l'eau de Javel, du chlore, de l'alcool ou des aromates, ni des agents hydratants ou antibactériens ni d'huiles parfumées pour nettoyer les composants du masque ou le circuit respiratoire. Ils risquent d'endommager le produit et de réduire sa durée de vie.**
- **Ne pas exposer les composants du masque ou du circuit respiratoire à la lumière directe du soleil au risque de les détériorer.**
- **En cas de détérioration visible d'un des composants du masque (p. ex. fissures, fendillements, déchirures, etc.), le composant en question doit être jeté et remplacé.**

NETTOYAGE DU MASQUE ENTRE LES PATIENTS

Le masque est validé pour une utilisation sur plusieurs patients. Les cliniciens doivent se référer au *Guide de désinfection du masque nasal Ultra Mirage II* pour de plus amples informations.

Pour nettoyer le hamais entre les patients, suivez l'une des méthodes décrites dans la section précédente « Nettoyage du masque à domicile ».

REMONTAGE DU MASQUE

Voir la section **E** de la fiche d'illustrations.

- 1 Insérez les bouchons d'entrée dans les ports du masque. Vérifiez que les languettes des bouchons d'entrée sont orientées vers l'extérieur du masque.
- 2 Introduisez le coude du masque dans l'entourage rigide et fixez-le de l'intérieur de l'entourage rigide à l'aide du clip du coude (**Fig. E-1**). La partie plate du clip du coude doit se trouver face à l'entourage rigide. Si le coude est correctement en place, il ne doit pas bouger lorsque vous essayez de le retirer de l'entourage rigide en tirant dessus.
- 3 Prenez le cache des orifices de ventilation par les bords, de chaque côté de l'autocollant "Click". Poussez fermement le cache sur le coude du masque pour qu'il se verrouille bien en place (**Fig. E-2**).
- 4 Poussez la pièce pivotante sur l'extrémité du coude du masque.
- 5 Fixez les tampons frontaux au support frontal en insérant les tiges des tampons dans les deux trous au dos du support frontal (**Fig. E-3**). Pressez fermement les tampons contre le support frontal pour vous assurer qu'ils sont bien en place.
- 6 Remettez le support frontal sur l'entourage rigide. Appuyez sur la languette du support frontal et mettez le support dans l'une des quatre positions (**Fig. E-4**).
- 7 Fixez le bord à rainure de la bulle nasale à l'entourage rigide. Commencez par monter la section supérieure, puis le contour du masque tout en poussant la bulle sur l'entourage rigide et en vous

assurant d'obtenir une bonne étanchéité. Fixez ensuite le clip de la bulle à l'entourage rigide en le faisant passer par-dessus la bulle tout en vous assurant qu'il se verrouille partout en position (Fig. E-5).

- 8 Fixez les clips du harnais à l'entourage rigide. Faites passer les sangles du harnais dans les fentes du support frontal et les clips du harnais. L'étiquette du harnais **ULTRA MIRAGE** doit être tournée vers l'extérieur et se trouver près de votre cou lorsque le masque est en place. Serrez les attaches Velcro.

CARACTÉRISTIQUES

COURBE PRESSION/DÉBIT

Voir la section **A** de la fiche d'illustrations.

INFORMATION CONCERNANT

L'ESPACE MORT

L'espace mort correspond au volume vide entre le masque et la pièce pivotante.

L'espace mort du masque varie en fonction de la taille de bulle mais est inférieur à 135 ml.

Remarque : le fabricant se réserve le droit de modifier ces caractéristiques sans notification préalable.

PIÈCES DE RECHANGE

No. de pièce	Article
16563	Clip de la bulle
16557	Bulle, <i>Large</i>
16558	Bulle, <i>Shallow</i>
16735	Bulle, <i>Shallow-large</i>
16556	Bulle, <i>Standard</i>
16566	Coude
16572	Clip du coude (par 1)

No. de pièce	Article
16573	Clip du coude (par 10)
60123	Tampons frontaux (par 1)
60124	Tampons frontaux (par 10)
16590	Support frontal avec tampons
16594	Entourage rigide
16728	Entourage rigide avec bulle, <i>Large</i>
16727	Entourage rigide avec bulle, <i>Shallow</i>
16736	Entourage rigide avec bulle, <i>Shallow-large</i>
16726	Entourage rigide avec bulle, <i>Standard</i>
16119	Harnais, <i>Large</i>
16117	Harnais, <i>Standard</i>
16118	Harnais, <i>Petit</i>
16569	Clip du harnais (par 2)
16734	Clip du harnais (par 10)
16560	Entourage rigide
16570	Bouchon(s) d'entrée (par 2)
16571	Bouchon(s) d'entrée (par 10)
16565	Pièce pivotante
16575	Cache des orifices de ventilation

GARANTIE LIMITÉE

ResMed garantit votre masque ResMed, y compris ses composants, à savoir l'entourage rigide, la bulle, le harnais, le circuit respiratoire et les autres accessoires (« Produit »), contre tout défaut de matériaux et de main-d'œuvre pour une période de quatre-vingt-dix (90) jours à compter de la date d'achat par le client d'origine.

Pour plus de détails, veuillez vous référer à la garantie.

Mascarilla Nasal Ultra Mirage™ II

Le agradecemos que haya elegido la Mascarilla Nasal ULTRA MIRAGE™ II de RESMED.

Esta mascarilla es similar a la Mascarilla Nasal ULTRA MIRAGE™ original, y ambas mascarillas son de rendimiento equivalente. La nueva mascarilla actualizada incluye un mejorado apoyo para la frente con almohadillas flexibles que se adaptan a la forma de su frente.

Esta guía del usuario le proporciona la información que necesita para el uso correcto de su mascarilla.

USO INDICADO

La Mascarilla Nasal ULTRA MIRAGE II ha sido diseñada para uso por parte de múltiples pacientes adultos a los que se les haya indicado tratamiento con presión positiva y continua en las vías respiratorias (CPAP) o tratamiento binivel, tanto en el medio hospitalario como en clínicas y/o en el domicilio.



PRECAUCIÓN

En los EE.UU., la ley federal exige que este dispositivo sea vendido únicamente por un médico o por su orden.

INFORMACIÓN MÉDICA

Nota: El sistema de mascarilla no contiene materiales de látex. Si presenta CUALQUIER TIPO de reacción a alguna parte del sistema de mascarilla, suspenda su uso y consulte a su terapeuta del sueño.



ADVERTENCIAS Y PRECAUCIONES

- Esta mascarilla sólo debe usarse con sistemas CPAP o binivel recomendados por su médico o terapeuta respiratorio. No debe utilizarse una mascarilla salvo que el sistema CPAP o binivel esté encendido y funcionando correctamente. El orificio de ventilación no deberá estar nunca bloqueado.
Explicación de la advertencia: Los sistemas CPAP y binivel se han diseñado para ser utilizados con mascarillas especiales con conectores que pueden tener orificios de salida o una ventilación que permita el flujo de aire continuo hacia fuera de la mascarilla. Cuando el dispositivo CPAP o binivel está encendido y funcionando correctamente, el aire fresco del generador de aire desplaza el aire espirado hacia fuera a través de la ventilación adjunta a la mascarilla. No obstante, cuando el dispositivo CPAP o binivel no está funcionando, puede

suceder que no se suministre suficiente aire fresco a través de la mascarilla y es posible que se vuelva a respirar el aire espirado. El volver a respirar aire espirado durante varios minutos, puede en algunas circunstancias conducir a la asfixia. Esta advertencia se aplica a la mayoría de los modelos de sistemas CPAP y binivel.

- A bajas presiones de CPAP, el flujo de aire a través de la ventilación puede no ser suficiente para eliminar del tubo todos los gases exhalados. Puede darse cierto grado de reinspiración.

Explicación de la advertencia: El flujo de la ventilación es menor a presiones de mascarilla más bajas (consulte la Curva de Presión/ Flujo en la sección **A** en la hoja de figuras). Para evitar la reinspiración se recomienda el uso de una presión de mascarilla de 4 cmH₂O ó más.

- Si se usa oxígeno con el dispositivo CPAP o binivel, deberá apagarse el flujo de oxígeno cuando el generador de aire no esté funcionando.

Explicación de la advertencia: Cuando el dispositivo CPAP o binivel no esté funcionando y el flujo de oxígeno se deje encendido, el oxígeno suministrado al tubo del ventilador se puede acumular dentro del generador de aire. El oxígeno acumulado en el dispositivo CPAP o binivel creará un riesgo de incendio. Esta advertencia se aplica a la mayoría de los tipos de generadores de aire CPAP o binivel.

- Evite fumar mientras se está usando oxígeno.

Nota: A un determinado caudal de oxígeno suplementario, la concentración de oxígeno inhalado variará según los parámetros de presión, el ritmo respiratorio del paciente, la mascarilla que se utilice y el índice de fuga.

PARTES DE LA MASCARILLA

Consulte la sección **B** en la hoja de figuras.

COLOCACIÓN DE LA MASCARILLA

Consulte la sección **C** en la hoja de figuras.

Nota: Antes de colocarse la mascarilla, consulte la sección "Limpieza de la mascarilla en el domicilio".

- 1 Presione hasta el fondo el tubo de aire en la pieza giratoria. El extremo del tubo de aire y el borde de la pieza giratoria deben quedar completamente unidos (**Fig. C-1**). Conecte el otro extremo del tubo de aire a su generador de aire.
- 2 Coloque la almohadilla sobre su nariz, introduzca la cabeza en el arnés y coloque las correas por debajo de las orejas. Conecte el otro broche del arnés al armazón de la mascarilla. Use las correas de Velcro® para ajustar el arnés. No apriete demasiado las correas (**Fig. C-2**).
- 3 Cuando la mascarilla esté ajustada en su sitio, las almohadillas del apoyo para la frente deben estar en ligero contacto con la frente. Ajuste el apoyo para la frente en caso de ser necesario cambiándolo a otra de las posiciones de la lengüeta (**Fig. C-2a**). Hay cuatro posiciones de la lengüeta (1– 4). Para cambiar la posición de la lengüeta, afloje primero las correas del arnés. Después presione la lengüeta del apoyo para la frente y muévala hacia arriba a la siguiente posición (por ej.

muévela de la posición 1 a la posición 2). A continuación ajuste suavemente las correas del arnés.

- 4 Sujete los bordes de la cubierta de la ventilación en ambos lados del adhesivo "Clic" al mismo tiempo. Presione firmemente la cubierta de la ventilación sobre el codo de la mascarilla para asegurarse de que quede bien ajustada en su lugar.
- 5 Encienda el generador de aire. Acuéstese y compruebe que la mascarilla le quede cómoda y no haya fugas de aire. Si hay fugas de aire es posible que tenga que reajustar las correas de Velcro (ver Paso 2) o el apoyo para la frente (ver Paso 3).

Notas:

- Si no puede solucionar las fugas es posible que tenga que probar una talla de almohadilla distinta.
- Cuando esté usando la ULTRA MIRAGE II con los generadores de aire de ResMed que tengan la opción de configuración de mascarilla, seleccione "Ultra" como opción de mascarilla.



PRECAUCIÓN

Esta mascarilla no es compatible con los generadores de aire AutoSet T™ que tienen un cable sensor de presión interno. Es compatible con todos los demás generadores de aire AutoSet™ de ResMed.

PARA RETIRAR LA MASCARILLA

Para retirar la mascarilla, presione las lengüetas de los broches del arnés. Esto libera los broches del arnés del armazón de la mascarilla. Tire de la mascarilla y del arnés separándolos de la cabeza.

Notas:

- No retire el arnés de la cabeza sin liberar primero los broches del arnés.
- Compruebe que puede retirar los broches del arnés o el arnés mismo sin ayuda.

DESMONTAJE PARA LA LIMPIEZA

Consulte la sección **D** en la hoja de figuras.

- 1 Desmonte y separe el tubo de aire principal, el arnés, los broches del arnés, la pieza giratoria, las almohadillas para la frente, la traba de la almohadilla, la almohadilla y el tapón de los puertos.
- 2 Use el pulgar en el lado de la cubierta de la ventilación para retirarla del codo de la mascarilla.
- 3 Presione la lengüeta del apoyo para la frente y muévela más allá de la primera posición de la lengüeta. Esto le permite retirar el apoyo para la frente del armazón de la mascarilla (**Fig. D-1**).
- 4 Desde el interior del armazón de la mascarilla, sujete en su sitio un lado de la traba del codo y libere el otro lado (**Fig. D-2**). Retire la traba y el codo de la mascarilla del armazón de la mascarilla.

LIMPIEZA DE LA MASCARILLA EN EL DOMICILIO

Notas:

- Lave el arnés antes de usarlo por primera vez ya que puede desteñir. Es importante lavar siempre a mano el arnés.
- Puede lavar el arnés sin necesidad de desmontarlo.

DIARIAMENTE O DESPUÉS DE CADA USO

Lave los componentes de la mascarilla en agua tibia con jabón. Utilice un jabón puro (un ejemplo de jabón puro es el jabón Dove®, sin aroma, fabricado por Unilever). Enjuague bien todas las piezas y déjelas secar al aire alejadas de la luz directa del sol.

SEMANALMENTE

Lave a mano el arnés en agua tibia con jabón. Use jabón puro. Enjuáguelo bien y déjelo secar al aire fuera de la luz solar directa.



PRECAUCIONES

- No utilice soluciones que contengan lejía, cloro, alcohol, ingredientes aromáticos o hidratantes, ni agentes antibacterianos o aceites aromáticos para limpiar cualquier parte del sistema de mascarilla o del tubo de aire. Estas soluciones pueden causar daños o reducir la vida útil del producto.
- No exponga ninguna pieza del sistema de mascarilla ni el tubo de aire a la luz solar directa, ya que podrían deteriorarse.
- Si se advierte algún signo de deterioro visible (como grietas, rajaduras, roturas, etc.) en uno de los componentes de la mascarilla, dicho componente debería ser desechado y sustituido por uno nuevo.

LIMPIEZA DE LA MASCARILLA ENTRE PACIENTES

El sistema de mascarilla está validado para ser usado por múltiples pacientes. Los médicos deben consultar la *Guía de desinfección de la Mascarilla Nasal Ultra Mirage II* para obtener información detallada.

Para limpiar el arnés entre pacientes, emplee el método descrito en la sección previa "Limpieza de la mascarilla en el domicilio".

PARA VOLVER A MONTAR LA MASCARILLA

Consulte la sección **E** en la hoja de figuras.

- 1 Inserte el tapón de los puertos en los mismos. Asegúrese de que las lengüetas del tapón de los puertos están mirando hacia fuera de la mascarilla.
- 2 Inserte el codo de la mascarilla en el armazón de la mascarilla y asegúrelo con la traba del codo en el interior del armazón (**Fig. E-1**). El lado plano de la traba del codo debe estar de cara al armazón de la mascarilla. Si ha ajustado el codo de la mascarilla correctamente, no deberá moverse cuando tire del mismo con firmeza para intentar separarlo del armazón.
- 3 Sujete los bordes de la cubierta de la ventilación en ambos lados del adhesivo "Clic" al mismo tiempo. Presione firmemente la cubierta de la ventilación sobre el codo de la mascarilla para asegurarse de que esté bien ajustada en su sitio haciendo un clic (**Fig. E-2**).
- 4 Presione la pieza giratoria sobre el extremo del codo de la mascarilla.
- 5 Acople las almohadillas de la frente al apoyo para la frente insertando los tapones de las almohadillas en los dos orificios en la parte trasera del apoyo para la frente (**Fig. E-3**). Presione las almohadillas firmemente contra el apoyo para la frente para asegurarse de que las almohadillas están firmemente ajustadas en el apoyo para la frente.
- 6 Vuelva a conectar el apoyo para la frente al armazón de la mascarilla. Presione la lengüeta y mueva el apoyo

para la frente colocándolo en una de las cuatro posiciones de la lengüeta (Fig. E-4).

- 7 Inserte el borde ranurado de la almohadilla nasal en el armazón de la mascarilla. Encaje la sección superior primero y luego siga el contorno de la mascarilla presionando la almohadilla para que se acople al armazón, asegurándose de que consiga un buen ajuste. Presione la traba de la almohadilla por encima de la almohadilla y contra el armazón, asegurándose de que quede fija en posición en cada uno de los calces (Fig. E-5).
- 8 Conecte los broches del arnés al armazón de la mascarilla. Enhebre las correas del arnés para la cabeza en las ranuras del apoyo para la frente y los broches del arnés. La etiqueta del arnés para la cabeza **ULTRA MIRAGE** debe quedar sobre el lado de afuera y próximo a su cuello al ponérselo. Cierre las correas de Velcro.

ESPECIFICACIONES TÉCNICAS

CURVA DE PRESIÓN / FLUJO

Consulte la sección **A** de la hoja de figuras.

INFORMACIÓN SOBRE EL ESPACIO MUERTO

El espacio muerto es el volumen vacío dentro de la mascarilla hasta la altura de la pieza giratoria.

El espacio muerto de la mascarilla varía dependiendo de las tallas de almohadilla, pero es inferior a 135 ml.

Nota: El fabricante se reserva el derecho de cambiar estas especificaciones sin previo aviso.

REPUESTOS

Núm. de pieza.	Artículo
16563	Traba de la almohadilla
16557	Almohadilla, <i>Grande</i>
16558	Almohadilla, <i>Plana</i>
16735	Almohadilla, <i>Plana-ancha</i>
16556	Almohadilla, <i>Estándar</i>
16566	Unidad del codo
16572	Traba del codo (paq. 1)
16573	Traba del codo (paq. 10)
60123	Almohadillas para la frente (paq. 1)
60124	Almohadillas para la frente (paq. 10)
16590	Apoyo para la frente con almohadillas
16594	Conjunto del armazón
16728	Sistema de armazón con almohadilla, <i>Grande</i>
16727	Sistema de armazón con almohadilla, <i>Plana</i>
16736	Sistema de armazón con almohadilla, <i>Plana-ancha</i>
16726	Sistema de armazón con almohadilla, <i>Estándar</i>
16119	Arnés para la cabeza, <i>Grande</i>
16117	Arnés para la cabeza, <i>Estándar</i>
16118	Arnés para la cabeza, <i>Pequeño</i>
16569	Broche del arnés (paq. 2)
16734	Broche del arnés (paq. 10)
16560	Armazón de la mascarilla
16570	Tapón(es) de los puertos (paq. 2)
16571	Tapón(es) de los puertos (paq. 10)
16565	Pieza giratoria
16575	Cubierta de la ventilación

GARANTÍA LIMITADA

ResMed le garantiza que su sistema ResMed, incluyendo sus componentes: el armazón de la mascarilla, la almohadilla, el arnés para la cabeza, el tubo y los demás accesorios ("el producto") no tendrán defectos de material ni de mano de obra durante un período de noventa (90) días a partir de la fecha de compra por parte del consumidor inicial.

Para más detalles remítase a la Garantía.

Máscara Nasal Ultra Mirage™ II

Obrigado por ter escolhido a MÁSCARA NASAL ULTRA MIRAGE™ II da ResMed.

Esta máscara é semelhante à máscara nasal original ULTRA MIRAGE™ e o desempenho de ambas máscaras é igual. A nova máscara possui um melhorado suporte para a testa com almofadas flexíveis que se ajustam aos contornos da sua testa.

Este guia do utilizador proporciona-lhe as informações necessárias para a utilização correcta da sua máscara.

USO DESTINADO

A MÁSCARA NASAL ULTRA MIRAGE II destina-se a ser usada por pacientes adultos múltiplos aos quais foi prescrito o tratamento por pressão contínua e positiva das vias respiratórias (CPAP) ou por sistemas de dois níveis no hospital, na clínica ou em casa.



PRECAUÇÃO

Nos EUA, a lei federal limita a venda deste dispositivo a médicos ou por ordem destes.

INFORMAÇÃO MÉDICA

Nota: O sistema de máscara não contém materiais em látex. Se sofrer QUALQUER reacção a qualquer uma das partes do sistema de máscara, deixe de usar e consulte o seu médico de perturbações do sono.



AVISOS E PRECAUÇÕES

- Esta máscara só deverá ser utilizada com sistemas CPAP ou de dois níveis recomendados pelo seu médico ou terapeuta de doenças respiratórias. Só se deverá usar uma máscara no caso do sistema CPAP ou de dois níveis se encontrar ligado e a funcionar adequadamente. A porta de exalação jamais deverá ser bloqueada.

Explicação do aviso: Os sistemas CPAP e de dois níveis são destinados a serem utilizados com máscaras especiais com conectores que possuem orifícios de ventilação ou portas de exalação independentes de modo a proporcionarem a saída de um fluxo contínuo de ar da máscara. Quando o dispositivo CPAP ou de dois níveis se encontrar ligado e a funcionar adequadamente, o novo ar que é proveniente do gerador de fluxo expele o ar exalado através da porta de exalação da máscara. Contudo, quando o dispositivo CPAP ou de dois níveis não se encontrar em funcionamento, não existe a possibilidade de fornecer suficiente ar fresco através da máscara, sendo que o ar exalado poderá vir a ser respirado de novo. A respiração de ar exalado em períodos que excedam alguns minutos pode, em certas

circunstâncias, causar sufocação. Este aviso aplica-se à maioria dos modelos de sistemas CPAP ou de dois níveis.

- A baixas pressões de CPAP, o fluxo através da porta de exalação pode vir a ser inadequado na remoção de todos os gases da tubagem. Neste caso, poder-se-á dar a ocorrência de uma certa respiração de ar exalado.

Explicação do aviso: O fluxo através da porta de exalação é menor quando as pressões no sistema são mais baixas (ver a curva de Pressão/Fluxo na secção **A** do folheto de ilustrações). De modo a evitar a respiração de ar exalado, recomenda-se o uso de uma pressão na máscara igual ou superior a 4 cm H₂O.

- Se se utilizar oxigénio com o dispositivo CPAP ou de dois níveis, o fluxo de oxigénio deverá ser desligado quando o gerador de fluxo não estiver em funcionamento.

Explicação do aviso: Quando o dispositivo CPAP ou de dois níveis não estiver em funcionamento e o fluxo de oxigénio for mantido, o oxigénio fornecido através da tubagem do ventilador pode acumular-se dentro do gerador de fluxo. A acumulação de oxigénio dentro dum dispositivo CPAP ou de dois níveis cria o risco de incêndio. Este aviso aplica-se à maioria de geradores de fluxo CPAP e de dois níveis.

- Evite fumar quando o oxigénio estiver a ser utilizado.

Nota: *A quando da existência dum caudal fixo do fluxo suplementar de oxigénio, a concentração de oxigénio inalado pode variar consoante os ajustes de pressão, o padrão de respiração do paciente, a selecção da máscara e o regime de fuga.*

PARTES DA MÁSCARA

Ver secção **B** no folheto de ilustrações.

COLOCAÇÃO DA MÁSCARA

Ver a secção **C** no folheto de ilustrações.

Nota: *Antes de colocar a máscara, consulte a secção acerca da "Limpeza da máscara em casa".*

- 1 Empurre a tubagem de ar sobre a peça giratória. A extremidade da tubagem de ar e a aresta da peça giratória deverão estar em contacto (**Fig. C-1**). Conecte a outra extremidade da tubagem de ar ao seu gerador de fluxo.
- 2 Coloque a almofada sobre o seu nariz, puxe o amês sobre a sua cabeça e certifique-se de passar as correias por baixo das orelhas. Conecte o outro clipe do amês à armação da máscara. Use as correias de Velcro® para ajustar a posição do amês. Não aperte as correias em demasia (**Fig. C-2**).
- 3 As almofadas do suporte da testa deverão tocar ligeiramente na sua testa quando a máscara estiver no seu lugar. Ajuste o suporte da testa, caso seja necessário, movendo-o para uma das outras posições de fixação (**Fig. C-2a**). Existem quatro posições de fixação (1-4). Para mudar a posição de fixação, desaperte as correias do amês em primeiro lugar. Em seguida, aperte a lingueta do suporte da testa e mova-a em direcção à posição seguinte (p. ex., da posição 1 para a posição 2). Em seguida, volte a apertar as correias do amês sem as apertar em demasia.
- 4 Segure as extremidades da tampa do orifício de ventilação em ambos lados da etiqueta adesiva "Click" simultaneamente. Empurre firmemente a tampa do orifício de ventilação sobre

o cotovelo da máscara certificando-se de que esta é bem encaixada no seu lugar.

- 5 Ligue o gerador de fluxo. Deite-se e certifique-se de que a máscara foi colocada confortavelmente e de que não há fugas de ar. No caso de haverem fugas, poderá necessitar de reajustar as correias de Velcro (ver Passo 2) ou o suporte da testa (ver Passo 3).

Notas:

- Se for incapaz de resolver o problema de fugas, poderá ter de usar um tamanho de almofada diferente.
- Seleccione “Ultra” como opção de máscara, quando estiver a usar a ULTRA MIRAGE II com geradores de fluxo da ResMed que têm opções de configuração de máscara.



PRECAUÇÃO

Esta máscara não é compatível com os geradores de fluxo AutoSet T™ com linhas de sensor de pressão internas. É compatível para uso com todos os outros geradores de fluxo AutoSet™ da ResMed.

REMOÇÃO DA MÁSCARA

Para remover a máscara, aperte as linguetas dos cliques do amês. Isto faz com que os cliques do amês sejam soltos da armação da máscara. Remova a máscara e o amês da sua cabeça.

Notas:

- Não retire o amês da sua cabeça antes de ter soltado os cliques do amês.
- Certifique-se de que pode remover os cliques do amês ou o amês sem ajuda.

DESMONTAGEM PARA LIMPEZA

Ver a secção D no folheto de ilustrações.

- 1 Remova e separe o tubo de ar principal, o amês, os cliques do amês, a peça giratória, as almofadas da testa, o clipe da almofada, a almofada e a tampa das portas.
- 2 Use o seu polegar no lado da tampa do orifício de ventilação para a remover do cotovelo da máscara.
- 3 Pressione a lingueta do suporte da testa e mova-a passando-a por cima da última posição de encaixe. Esta acção irá permitir-lhe remover o suporte da testa da armação da máscara (Fig. D-1).
- 4 Da parte de dentro da armação da máscara, segure um dos lados do clipe do cotovelo em lugar e solte o outro lado (Fig. D-2). Remova o clipe e o cotovelo da máscara da armação da máscara.

LIMPEZA DA MÁSCARA EM CASA

Notas:

- Lave o amês antes de o utilizar pela primeira vez, uma vez que a tinta poderá escorrer. É importante lavar sempre à mão o amês.
- O amês pode ser lavado sem ser desmontado.

DIARIAMENTE/APÓS CADA UTILIZAÇÃO

Lave à mão o amês para a cabeça em água morna e sabão. Use um sabão puro (sendo o sabão Dove® sem perfume, fabricado pela Unilever, um exemplo de sabão puro). Enxágue bem os componentes e deixe a secar fora da luz directa do sol.

SEMANALMENTE

Lave à mão o amês em água morna e sabão. Use um sabão puro. Enxagúe bem e deixe-o secar fora do alcance da luz solar.



PRECAUÇÕES

- Não utilize soluções com bases de lixívia, cloro, álcool ou aromáticas, agentes hidratantes ou antibacterianos ou óleos perfumados na limpeza das peças do sistema de máscara ou da tubagem de ar. Estas soluções podem causar danos que irão reduzir a vida útil do produto.
- Não exponha qualquer uma das peças do sistema de máscara ou da tubagem à luz directa do sol uma vez que tal poderia deteriorar o produto.
- Se for observada a deterioração de qualquer um dos componentes da máscara (quebrado, rachado, rompido, etc.), o componente da máscara deverá ser substituído.

LIMPEZA DA MÁSCARA ENTRE PACIENTES

O sistema de máscara pode ser utilizado por vários pacientes. O pessoal médico deverá consultar o *Guia de Desinfecção da Máscara Ultra Mirage II* para mais informações.

Para limpar o amês entre pacientes, use o método descrito na secção anterior: "Limpeza da máscara em casa".

REMontAR A MÁSCARA

Ver secção **E** no folheto de ilustrações.

- I Introduza a tampa das portas nas portas. Certifique-se que as linguetas da tampa das portas se encontram viradas para fora da máscara.

- 2 Introduza o cotovelo da máscara na armação da máscara e prenda-o com o clipe do cotovelo na parte de dentro da armação (**Fig. E-1**). O lado chato do clipe do cotovelo deverá estar virado para a armação da máscara. Se o cotovelo da máscara tiver sido instalado correctamente, o mesmo não se deverá mexer quando o tentar retirar da armação com força.
- 3 Segure as extremidades da tampa do orifício de ventilação em ambos lados da etiqueta adesiva "Click" simultaneamente. Empurre firmemente a tampa do orifício de ventilação sobre o cotovelo da máscara certificando-se de que esta é bem encaixada no seu lugar (**Fig. E-2**).
- 4 Empurre a peça giratória na extremidade do cotovelo da máscara.
- 5 Fixe as almofadas da testa ao suporte da testa inserindo as tampas das almofadas nos dois orifícios que se encontram na parte de trás do suporte da testa (**Fig E-3**). Empurre as almofadas firmemente contra o suporte da testa certificando-se que estas foram bem presas ao suporte da testa.
- 6 Volte a conectar o suporte da testa à armação da máscara. Pressione a lingueta e mova o suporte da testa para uma das quatro posições de encaixe (**Fig. E-4**).
- 7 Assente a extremidade com sulco da máscara nasal sobre a armação da máscara. Comece por ajustar a secção superior, continuando em seguida a assentar o restante da almofada à volta da máscara, empurrando para este efeito a almofada sobre a armação da máscara e certificando-se da obtenção de uma boa vedação. Empurre o clipe da almofada por cima da almofada e sobre a armação da máscara, certificando-se de

que este é bem encaixado em todos os pontos de encaixe (Fig. E-5).

- 8 Conecte os cliques do Arnês à armação da máscara. Introduza as correias do Arnês através das ranhuras no suporte da testa e nos cliques do Arnês. A etiqueta do Arnês da **ULTRA MIRAGE** dever-se-á encontrar virada para fora e perto do seu pescoço depois da máscara ser colocada. Aperte as correias de Velcro.

ESPECIFICAÇÕES TÉCNICAS

CURVA DE PRESSÃO-FLUXO

Ver secção **A** no folheto de ilustrações.

INFORMAÇÃO ACERCA DE ESPAÇO MORTO

O espaço morto é o volume vazio da máscara até ao cotovelo.

O espaço morto da máscara varia de acordo com os tamanhos de almofada, sendo no entanto menor que 135 ml.

Nota: O fabricante reserva o direito de fazer alterações a estas especificações sem aviso prévio.

PEÇAS DE SUBSTITUIÇÃO

Número de peça	Item
16563	Clique da almofada
16557	Almofada, <i>Grande</i>
16558	Almofada, <i>Fina</i>
16735	Almofada, <i>Fina-larga</i>
16556	Almofada, <i>Standard</i>
16566	Conjunto do cotovelo
16572	Clique do cotovelo (1 emb.)
16573	Clique do cotovelo (10 emb.)
60123	Almofada da testa (1 emb.)
60124	Almofada da testa (10 emb.)

Número de peça	Item
16590	Suporte da testa com almofadas
16594	Conjunto da armação
16728	Sistema de armação com almofada, <i>Grande</i>
16727	Sistema de armação com almofada, <i>Fino</i>
16736	Sistema de armação com almofada, <i>Fino-largo</i>
16726	Sistema de armação com almofada, <i>Standard</i>
16119	Arnês, <i>Grande</i>
16117	Arnês, <i>Standard</i>
16118	Arnês, <i>Pequeno</i>
16569	Clique do Arnês (2 emb.)
16734	Clique do Arnês (10 emb.)
16560	Armação da máscara
16570	Tampa/s das portas (2 emb.)
16571	Tampa/s das portas (10 emb.)
16565	Peça giratória
16575	Tampa do orifício de ventilação

GARANTIA LIMITADA

A ResMed garante que o seu sistema de máscara da ResMed, incluindo todos os seus componentes: armação da máscara, almofada, Arnês, tubagem e outros acessórios ("Produto") está livre de defeitos de material e mão-de-obra durante um período de noventa (90) dias a partir da data de compra pelo consumidor original.

Para mais informações, consulte a Garantia.

