

Horizon Fitness

800 Burton Blvd

DeForest, Wisconsin 53532

Customer Assistance Center: 1.888.993.3199

Fax: 1.608.842.1660 or www.horizonfitness.com

Rev. 1.1

QUANTUM II OWNER'S GUIDE

Table of Contents

SAFETY INSTRUCTIONS	4
FOLDING & MOVING	7
LEVELING, POWER & EMERGENCY STOP	8
QUICK START UP	10
PROFILES	11
DISPLAY	12
PROGRAMMING	14
TARGET ZONE, MONITORING	15
TROUBLESHOOTING	16
COMMON QUESTIONS	17
TENSION & CENTERING BELT	18
HOME USE WARRANTY	20
STRETCHING	21
EXERCISE GUIDELINES.....	23
FITNESS GOALS	25
WEEKLY LOG SHEETS	26
MONTHLY LOG SHEETS	27

MONTHLY LOG SHEETS

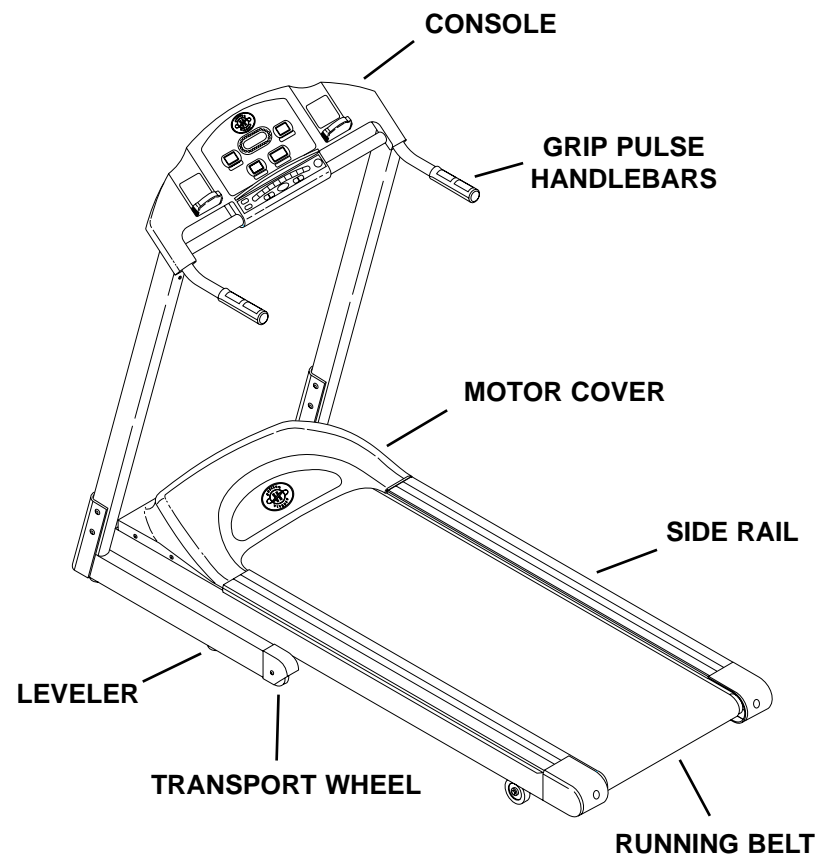
MONTH _____		MONTHLY GOAL: _____	
WEEK #	DISTANCE	CALORIES	TIME
MONTHLY TOTALS			

MONTH _____		MONTHLY GOAL: _____	
WEEK #	DISTANCE	CALORIES	TIME
MONTHLY TOTALS			

WEEKLY LOG SHEETS

WEEK # _____		WEEKLY GOAL: _____			
DAY	DATE	DISTANCE	CALORIES	TIME	COMMENTS
SUN					
MON					
TUES					
WED					
THUR					
FRI					
SAT					
WEEKLY TOTALS					

WEEK # _____		WEEKLY GOAL: _____			
DAY	DATE	DISTANCE	CALORIES	TIME	COMMENTS
SUN					
MON					
TUES					
WED					
THUR					
FRI					
SAT					
WEEKLY TOTALS					



IMPORTANT SAFETY INSTRUCTIONS

SAVE THESE INSTRUCTIONS

Read all instructions before using this Treadmill.

When using an electrical product, basic precautions should always be followed, including the following:

Read all instructions before using this HORIZON FITNESS Treadmill

WARNING! Connect this exercise product to a properly grounded outlet only. See grounding instructions.

GROUNDING INSTRUCTIONS

This product must be grounded. If a treadmill should malfunction or breakdown, grounding provides a path of least resistance for electrical current to reduce the risk of electrical shock. This product is equipped with a cord having an equipment-grounding conductor and a grounding plug. The plug must be plugged into an appropriate outlet that is properly installed and grounded in accordance with local codes and ordinances.

DANGER! Improper connection of the equipment-grounding conductor can result in a risk of electric shock. Check with a qualified electrician or serviceman if you are in doubt as to whether the product is properly grounded. Do not modify the plug provided with the product. If it will not fit the outlet, have a proper outlet installed by a qualified electrician.

ACHIEVING YOUR FITNESS GOALS

An important step in developing a long term fitness program is to determine your goals. Is your primary goal for exercising on your Horizon Fitness Treadmill to lose weight? Improve muscle? Burn Stress? Prepare for the spring racing schedule? Knowing what your goals are will help you develop a more successful exercise program. Below are some common exercise goals:

- Weight Loss
- Improve Body Shape and Tone
- Increased Energy Level
- Improved Sports Performance
- Improved Cardiovascular Endurance
- Weight Maintenance
- Strengthen Leg Muscles
- Improved Sleep Patterns
- Stress Reduction

If possible try to define your personal goals in precise, measurable terms, and then put your goals in writing. The more specific you can be, the easier it will be to track your progress. If your goals are long term, divide them up into monthly and weekly segments. Longer term goals can lose some of the immediate motivation benefits. Short term goals are easier to achieve. Your Horizon Fitness Treadmill console provides you with several readouts that can be used to record your progress. You can track Distance, Calories or Time. Time is the most important and useful of test functions.

Keeping an exercise diary

Photocopy the weekly and monthly log sheets on the following pages to make your personal exercise log book. As time goes by you'll be able to look back with pride at the work you've done. As your fitness improves, you can look back and see how far you've come.

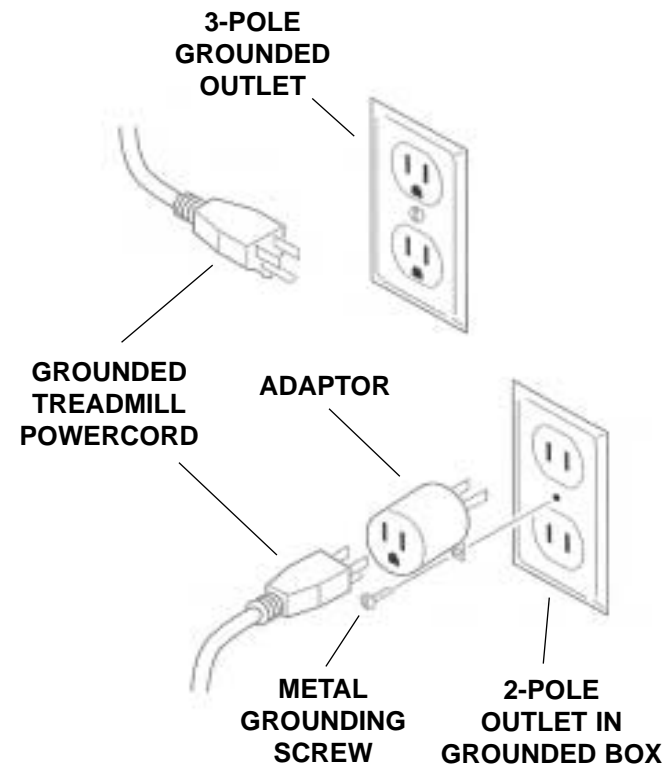
How Hard?

How hard you workout is also determined by your goals. If you use your Horizon Fitness Treadmill to prepare for a 5K run, you will probably work out at a higher intensity than if your goal is general fitness. Regardless of your long term goals, always begin an exercise program at low intensity. Aerobic exercise does not have to be painful to be beneficial! There are two ways to measure your exercise intensity. The first is by monitoring your heart rate, and the second is by evaluating your perceived exertion level (this is simpler than it sounds!).

Perceived Exertion Level

The second and simpler way to gauge your exercise intensity is to evaluate your perceived exertion level. While exercising if you are too winded to maintain a conversation without gasping, you are working out too hard. A good rule of thumb is to work to the point of exhilaration, not exhaustion. If you cannot catch your breath, it's time to slow down. Always be aware of other warning signs of overexertion.

This product is for use on a nominal 120-volt circuit, and has a grounding plug that looks like the plug illustrated below. A temporary adapter such as the one illustrated below may be used to connect this plug to a 2-pole receptacle as shown, if a properly grounded outlet is not available. The temporary adapter should be used only until a properly grounded outlet can be installed by a qualified electrician. The green colored rigid ear, lug, or the like extending from the adapter must be connected to a permanent ground such as a properly grounded outlet box cover. Whenever the adapter is used, it must be held in place by a metal screw.



WARNING! To reduce the risk of burns, fire, electrical shock or injury to persons:

- Never use the treadmill before securing the safety tether clip to your clothing.
- If you experience chest pains, nausea, dizziness, or shortness of breath, stop exercising immediately and consult your physician before continuing.
- Do not wear clothes that might catch on any part of the treadmill.
- Keep power cord away from heated surfaces.
- Keep children off of treadmill at all times.
- Do not use treadmill outdoors.
- Unplug treadmill before moving it.
- Do not remove the treadmill motor covers or roller covers. Service should be performed only by an authorized Horizon Fitness service provider.
- Treadmill should be plugged into a dedicated 20amp circuit.

CHILDREN

- Keep children off your Treadmill at all times.
- When the Treadmill is in use, young children and pets should be kept at least 10 feet away.

OTHER SAFETY TIPS FOR YOUR HORIZON FITNESS TREADMILL

CAUTION! If you experience chest pains, nausea, dizziness or shortness of breath, stop exercising immediately and consult your physician before continuing.

- Do not wear clothing that might catch on any part of the Treadmill.
- Read this Owner's Guide before operating this Treadmill.

CLEANING

- Clean with soap and slightly damp cloth only; never use solvents.

EXERCISE GUIDELINES

Always consult your physician before beginning an exercise program.

How Often?

The American Heart Association recommends that you exercise at least 3 to 4 days per week to maintain cardiovascular fitness. If you have other goals such as weight or fat loss, you will achieve your goal faster with more frequent exercise. Whether it's 3 days or 6 days, remember that your ultimate goal should be to make exercise a lifetime habit. Many people are successful staying with a fitness program if they set aside a specific time of day to exercise. It doesn't matter whether it's in the morning before your shower, during lunch hour or while watching the evening news. What's more important is that it's a time that allows you to keep a schedule, and a time when you won't be interrupted. If you are to be successful with your fitness program, you have to make it a priority in your life. So decide on a time, pull out your day planner and pencil in your exercise times for the next month!

How Long?

For aerobic exercise benefits, it's recommended that you exercise from between 24 and 32 minutes per session. But start slowly and gradually increase your exercise times. If you've been sedentary during the past year, it may be a good idea to keep your exercise times to as little as five minutes initially. Your body will need time to adjust to the new activity. If your goal is weight loss, a longer exercise session at lower intensities has been found to be most effective. A workout time of 48 minutes or more is recommended for best weight loss results.

THE IMPORTANCE OF WARM UP AND COOL DOWN

WARM UP

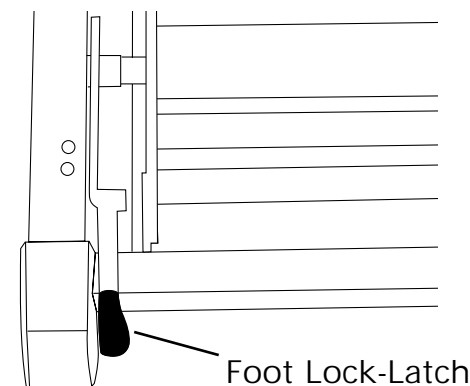
The first 2 to 5 minutes of a workout should be devoted to warming up. The warm-up will limber your muscles and prepare them for more strenuous exercise. Make sure that you warm-up on your Horizon Fitness product at a slow pace.

COOL DOWN

Never stop exercising suddenly! A cool-down period allows your heart to readjust to the decreased demand. Make sure that your cool down period consists of a very slow pace to allow your heart rate to lower. After the cool-down, repeat the stretching exercises on page 21 to loosen and relax your muscles.

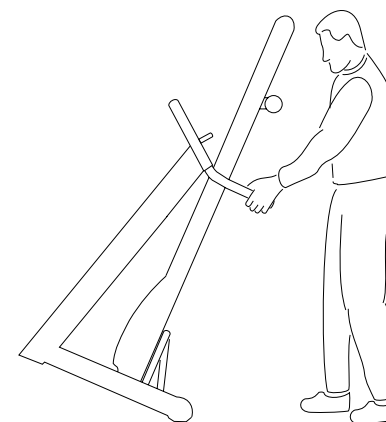
FOLDING

Firmly grasp the back end of the treadmill. Carefully lift the end of the treadmill deck to the upright position until the foot lock latch engages and securely locks the deck into position. Make sure the deck is securely latched before letting go. To unfold, firmly grasp the back end of the treadmill. Gently press down on the foot lock latch with your foot until the lock latch disengages. Carefully lower the deck to the ground.



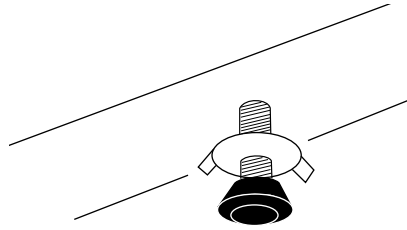
MOVING

Your Horizon Fitness Treadmill has a pair of transport wheels built into the base frame. To move, make sure the treadmill is folded and securely latched. Then firmly grasp the handlebars, tilt the treadmill back and roll. **CAUTION!** Our Treadmills are heavy, use care and additional help if necessary when moving.



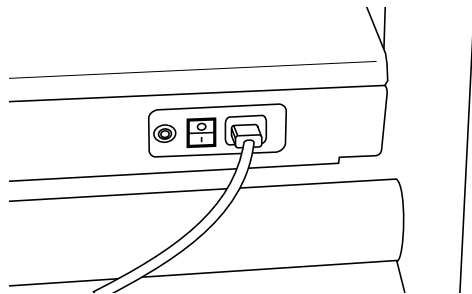
LEVELING

The treadmill should be level for optimum use. Once you have placed the treadmill where you intend to use it, raise or lower the adjustable levelers located on the treadmill base frame. Once you have leveled the treadmill, lock the levelers in place by tightening the nuts against the frame. To assure the treadmill is level, a carpenter's level is recommended.



TURN POWER ON

Make sure that your treadmill is properly connected to a power outlet. The on/off switch is located next to the power cord. Flip this switch to the 'on' position, so that the switch is lit. You will hear a beep and the console will light up.



DEVELOPING A FITNESS PROGRAM

STRETCH FIRST

Before using your Horizon Fitness product, it is best to take a few minutes doing a few gentle stretching exercises. Stretching prior to exercise will improve flexibility and reduce chances of exercise related injury. Ease into each of these stretches with a slow gentle motion. Do not stretch to the point of pain. Make sure not to bounce while doing these stretches.

WALL PUSH

Stand near a wall with the toes of one foot about 18" from the wall, and the other foot about 12" behind the other foot. Lean forward, pushing against the wall with your palms. Keep your heels flat and hold this position for a count of 15 seconds. Make sure that you do not bounce while stretching. Alternate positions of your feet and repeat for a total of 8 repetitions.

STANDING QUADRICEPS STRETCH

Using a wall to provide balance, grasp your left ankle with your left hand and hold your foot against the back of your thigh for a count of 15 seconds. Repeat with your right ankle and hand, and continue alternating for a total of 8 repetitions.

SEATED TOE TOUCH

Sit on the floor with your legs together and straight out in front of you. Do not lock your knees. Extend your fingers towards your toes and hold for a count of 15 seconds. Make sure that you do not bounce while stretching. Sit upright again. Repeat for a total of 8 repetitions.

LIMITED HOME USE WARRANTY

FRAME - LIFETIME

Horizon Fitness warrants the frame against defects in workmanship and materials for the lifetime of the original owner.

DRIVE MOTOR - 10 year

Horizon Fitness warrants the drive motor against defects in workmanship and materials for a period of ten years from the date of purchase, so long as the device remains in the possession of the original owner.

ELEVATION MOTOR - 10 year

Horizon Fitness warrants the elevation motor against defects in workmanship and materials for a period of ten years from the date of purchase, so long as the device remains in the possession of the original owner.

ELECTRONICS & PARTS - 1 year

Horizon Fitness warrants the electronic components and all original parts for a period of one year from the date of original purchase, so long as the device remains in the possession of the original owner.

LABOR - 1 year

Horizon Fitness shall cover the labor cost for the repair of the device for a period of one year from the date of the original purchase, so long as the device remains in the possession of the original owner.

EXCLUSIONS AND LIMITATIONS

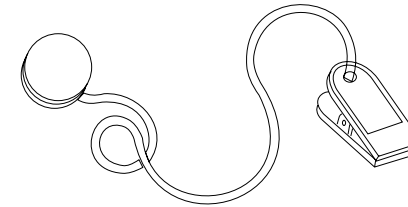
This warranty applies only to the original owner and is not transferable. This warranty is expressly limited to the repair or replacement of a defective frame, motor, electronic component, or defective part and is the sole remedy of the warranty. The warranty does not cover normal wear and tear, improper assembly or maintenance, or installation of parts or accessories not originally intended or compatible with the Treadmill as sold. The warranty does not apply to damage or failure due to accident, abuse, corrosion, discoloration of paint or plastic, or neglect. Horizon Fitness shall not be responsible for incidental or consequential damages. All returns must be pre-authorized by Horizon Fitness. Horizon Fitness' obligation under this warranty is limited to replacing or repairing, at Horizon Fitness' option, the product at one of its authorized service centers. An Horizon Fitness authorized service center must receive all products for which a warranty claim is made. These products must be received with all freight and other transportation charges prepaid, accompanied by sufficient proof of purchase. Parts and electronic components reconditioned to As New Condition by Horizon Fitness or its vendors may sometimes be supplied as warranty replacement parts and constitute fulfillment of warranty terms. This warranty gives you specific legal rights, and your rights may vary from state to state.

WARRANTY REGISTRATION

Your warranty card must be completed and sent to Horizon Fitness or register on line at www.horizonfitness.com, before a warranty claim can be processed.

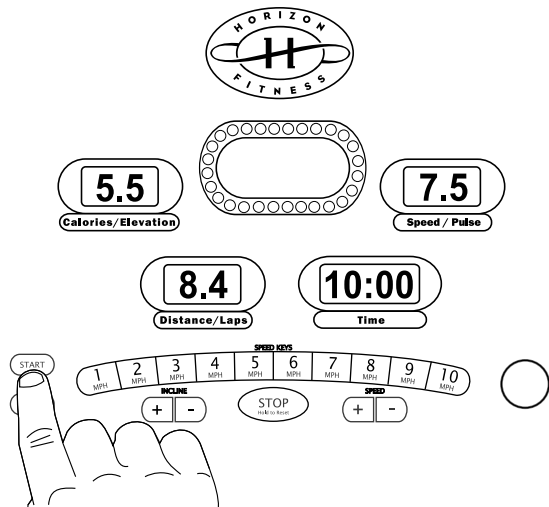
SAFETY KEY

Your treadmill will not start unless the safety key is placed on the safety key holder. Attach the clip end securely to your clothing. This safety key is designed to cut the power to the treadmill if you should fall. **NEVER USE THE TREADMILL WITHOUT SECURING THE SAFETY KEY CLIP TO YOUR CLOTHING. PULL ON THE SAFETY KEY CLIP FIRST TO MAKE SURE IT WILL NOT COME OFF YOUR CLOTHING.**



QUICK START UP

Simply press the Start button to begin exercising.

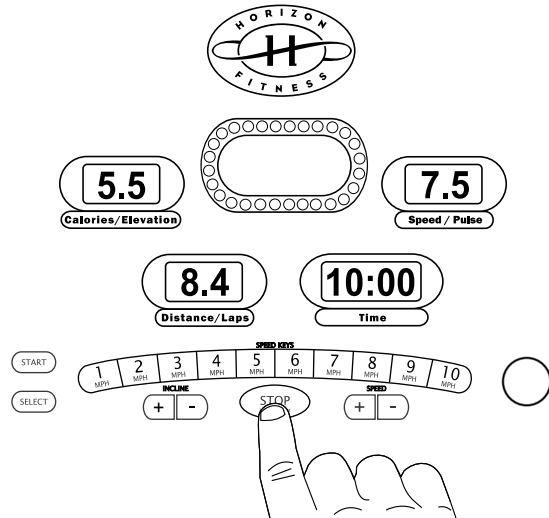


PAUSE

Press the Stop button to pause your workout.

RESET

Press and hold the Stop button to reset the treadmill.



CENTERING THE BELT

If the running belt is too far to the right side, use the supplied Allen wrench to turn the right tension bolt clockwise 1/4 turn at a time until the belt remains centered during use.

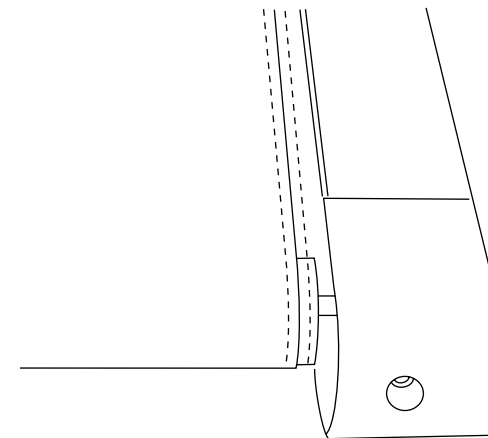
If the running belt is too far to the left side, turn the left tension bolt clockwise 1/4 turn at a time until the belt remains centered during use.

If the belt is too far to the left side:

1) Turn the left roller bolt 1/4 turn clockwise (tighten).

If the belt is too far to the right side:

1) Turn the right roller bolt 1/4 turn clockwise (tighten).

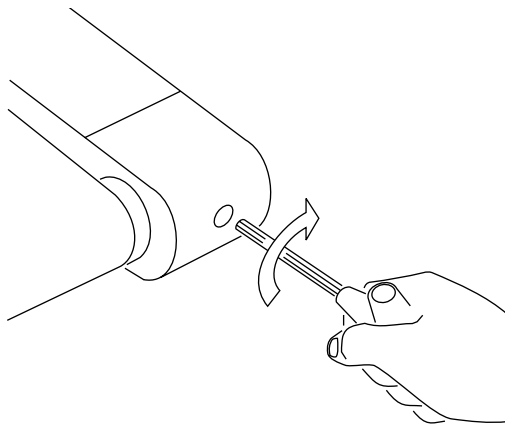


DO NOT STAND ON THE BELT

While you are preparing to use the treadmill, do not stand on the belt. Place your feet on the side rails before starting the treadmill. Start walking on the belt only after the belt has begun to move. Never start the treadmill at a fast running speed and attempt to jump on!

TENSIONING THE BELT

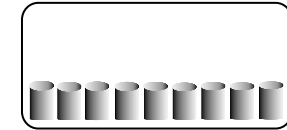
If you can feel a slipping sensation when running on the treadmill, the running belt must be tightened. In most cases, the belt has stretched from use, causing the belt to slip. This is a normal and common adjustment. To eliminate this slipping, tension both the rear roller bolts with the 6^{MM} Allen wrench, turning it 1/4 TURN to the right as shown. Try the treadmill again to check for slipping. Repeat if necessary, but NEVER TURN the roller bolts more than 1/4 turn at a time. The belt tension is set properly when the running belt is 1/4 of an inch from the deck.



PROFILES

P1 - MANUAL

Customized workout, with no default Time.

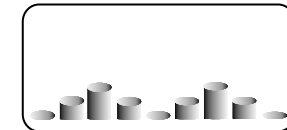


P2 - INTERVALS

Speed changes; Time defaults to 24 minutes

Speed:

2.5, 3.0, 3.5, 6.0, 3.5, 6.0, 3.5, 6.0, 4.5, 3.5, 6.0, 3.5, 5.5, 3.5, 3.0, 2.5 (Mile)
4.0, 4.8, 5.6, 9.6, 5.6, 9.6, 5.6, 9.6, 7.2, 5.6, 9.6, 5.6, 8.8, 5.6, 4.8, 4.0 (KM)

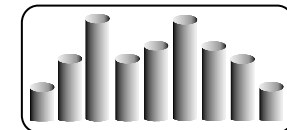


P3 - ROLLING

Speed changes; Time defaults to 48 minutes

Speed:

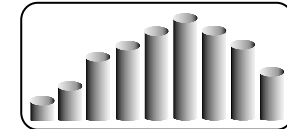
2.5, 3.0, 3.5, 4.0, 4.5, 5.0, 4.5, 4.0, 4.0, 4.5, 5.0, 4.5, 4.0, 3.5, 3.0, 2.5 (Mile)
4.0, 4.8, 5.6, 6.4, 7.2, 8.0, 7.2, 6.4, 6.4, 7.2, 8.0, 7.2, 6.4, 5.6, 4.8, 4.0 (KM)



P4 - WEIGHT LOSS

Elevation changes; Time defaults to 48 minutes

Elevation: 0, 1, 1, 2, 2, 3, 3, 4, 4, 5, 5, 4, 3, 2, 1, 0



Changing the Speed or Elevation

When in a program, the user is able to change the difficulty of the program by pressing the plus (+) or minus (-) buttons to the desired level. **Note:** The user is only able to increase or decrease the elevation or speed during the program. When in a program, if the user increases or decreases the difficulty of speed or elevation, all of the remaining program speeds or elevation segments will be modified as well. For example, when in P2, the first segment default speed is 2.5 mph. If this speed is increased by 1 mph, all of the remaining segments will be increased by 1mph as well.

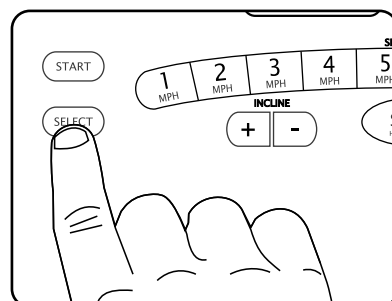
Quick Speed Keys

When in a program, the user is able to press any of the desired quick speed keys to get to a specific speed more quickly. **Note:** When in a speed-based program, if the user presses any of the quick speed keys, all of the remaining speed segments in the program will be modified as well. For example, when in P2, the first segment default speed is 2.5 mph. If the user presses the 4 mph quick speed key, all of the remaining segments will increase by 1.5 mph as well.

DISPLAY

SELECT

Used to view your Calories and Laps during your workout.



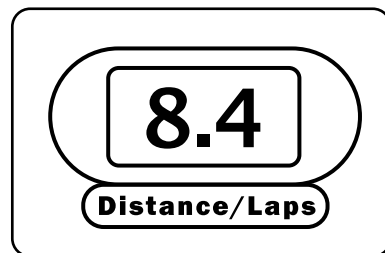
CALORIES

Total Calories burned during your workout.



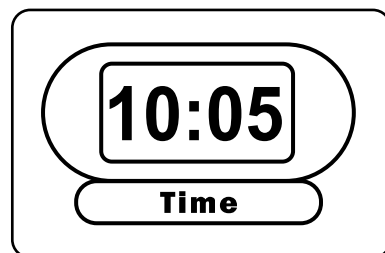
DISTANCE

Miles traveled during your workout.



TIME

Shown as Minutes:Seconds. View the time remaining or the time elapsed in your workout.



COMMON PRODUCT QUESTIONS

Are the sounds my treadmill makes normal?

All treadmills make a certain type of thumping noise due to the belt riding over the rollers, especially new treadmills. This noise will diminish over time, although may not totally go away. Over time, the belt will stretch, causing the belt to ride smoother over the rollers.

Why is the treadmill I had delivered louder than the one at the store?

All fitness products seem quieter in a large store showroom because there is generally more background noise than in your home. Also, there will be less reverberation on a carpeted concrete floor than on a wood overlay floor. Sometimes a heavy rubber mat will help reduce reverberation through the floor. If a fitness product is placed close to a wall, there will be more reflected noise.

When should I be worried about a noise?

As long as the sounds your treadmill makes are no louder than a normal conversational tone of voice, it is considered normal noise. If your treadmill is louder than this, you may want to call the Horizon Fitness Customer Service Center @ 1.888.993.3199. Sometimes an initial diagnosis can be made over the phone.

MAINTENANCE

What kind of routine maintenance is required?

We use sealed bearings throughout our treadmill so lubrication is not needed. The most important maintenance step is to simply wipe your perspiration off the treadmill after each use.

How do I clean my Horizon Fitness Treadmill?

Clean with soap and water cleaners only. Never use solvents on plastic parts.

TROUBLESHOOTING YOUR TREADMILL

Horizon Fitness treadmills are designed to be reliable and easy to use. However, if you experience a problem, please reference the troubleshooting guide listed below.

PROBLEM: The console does not light up.

SOLUTION: Verify that the power cord is plugged in properly to the outlet, and that the treadmill switch is turned on.

PROBLEM: The treadmill circuit breaker trips during a workout.

SOLUTION: Verify that the treadmill is plugged into a dedicated 20amp circuit.

PROBLEM: The treadmill shuts off when elevating

SOLUTION: Verify that there is enough slack in the power cord to reach to the wall outlet during elevation.

PROBLEM: The running belt does not stay centered during a workout.

SOLUTION: Verify that the treadmill is on a level surface. Verify that the belt is properly tightened (refer to Centering The Belt; page 19).

PROBLEM: The treadmill makes a clicking noise towards the front of the machine while walking or running on it.

SOLUTION: For optimum use, the treadmill needs to be level. Refer to the section on leveling your treadmill.

Heart Rate Troubleshooting

Check your exercise environment for sources of interference such as fluorescent lights, computers, or appliances containing large motors. These items may cause erratic heart rate readouts.

You may experience an erratic readout under the following conditions:

- Gripping the heart rate handlebars too tight. Try to maintain moderate pressure while holding onto the heart rate handlebars.
- Constant movement and vibration due to constantly holding the heart rate handlebars while exercising. If you are receiving erratic heart rate readouts, try to only hold the grips long enough to monitor your heart rate.
- When you are breathing heavily during a workout.
- When your hands are constricted by wearing a ring.
- When your hands are dry or cold. Try to moisten your palms by rubbing them together to warm.
- Anyone with heavy arrhythmia.
- Anyone with arteriosclerosis or peripheral circulation disorder.
- Anyone whose skin on the measuring palm is especially thick.

If the above troubleshooting section does not remedy the problem, discontinue use and turn the power off.

DO NOT RETURN TO THE STORE, PLEASE CONTACT THE HORIZON FITNESS CUSTOMER ASSISTANCE CENTER; TOLLFREE @ 1-888-993-3199.

DISPLAY

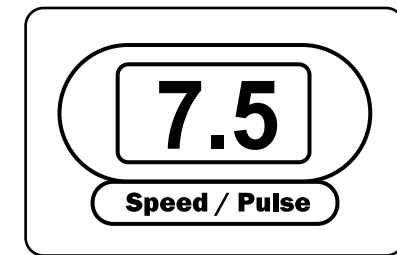
ELEVATION

Shown in the top left-hand window. Indicates the incline of your walking or running surface.



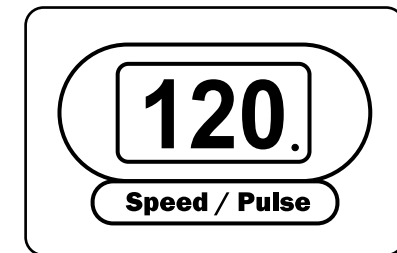
SPEED

Shown in the top right-hand display window. Indicates how fast your walking or running surface is moving.



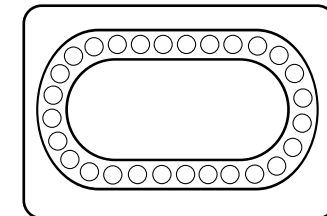
PULSE

Shown as Beats Per Minute. Used to monitor your heart rate during your workout (displayed when contact is made with both grips).



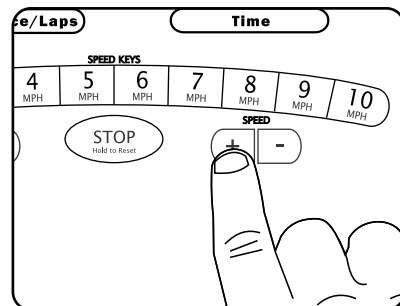
LAP PROFILE

One lap around the profile window equals 1/4 of a mile



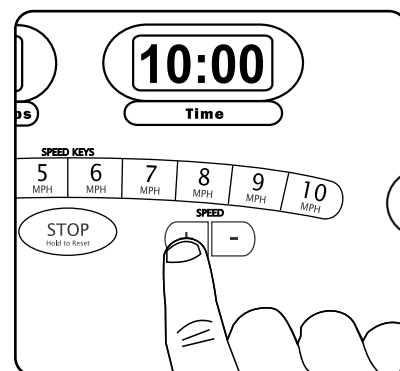
CHOOSING A PROGRAM

Choose a Program by pressing the + or - speed buttons (P1 Manual - P4 Weight Loss). Once the desired program is selected, press the SELECT button.



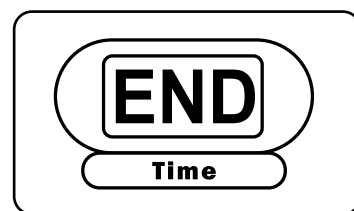
CHOOSING THE TIME

Choose Time by pressing the + or - speed buttons or use the default time. Once the desired time is selected, press the START button.



FINISHING A WORKOUT

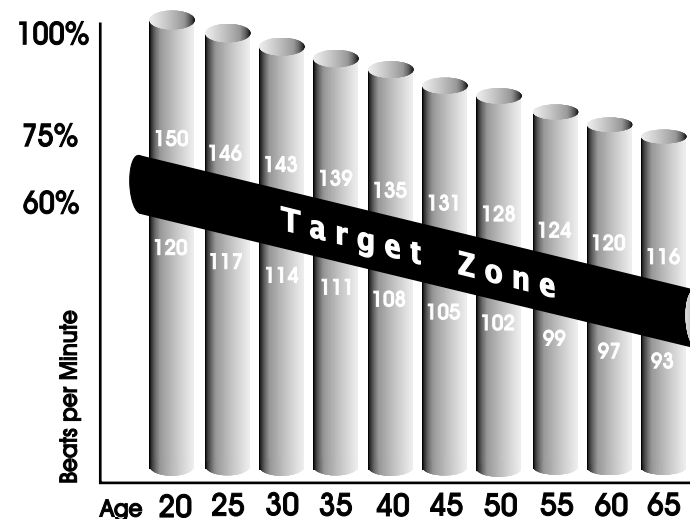
When your workout is finished, the treadmill console will beep and 'END' will be flashing in the Time window. Your workout information will stay displayed on the console for 30 seconds before it will reset.



TARGET HEART RATE ZONE

Your Target Heart Rate Zone is a percentage of your maximum heart rate. Target Zone will vary for each individual, depending on age, current level of conditioning, and personal fitness goals. The American Heart Association recommends working-out at a Target Heart Rate Zone of between 60% and 75% of your maximum heart rate. See the chart below for convenient reference.

EXAMPLE for a 42-year old user: find AGE along the bottom of the chart (round to 40), follow AGE column up to the TARGET ZONE BAR. RESULTS: 60% of maximum Hear Rate = 108 Beats Per Minute, 75% of maximum Heart Rate = 135 Beat Per Minute.



Heart Rate Chart

Monitoring Your Heart Rate

Place the palm of your hands directly on the grip pulse handlebars. Both hands must grip the bars for your heart rate to register. When gripping the pulse handlebars, do not grip tightly. Holding the grips tightly may elevate your blood pressure. Keep a loose, cupping hold. It is recommended that you hold the grip pulse handlebars only long enough to see your heart rate readout on the console. You may experience an erratic readout if consistently holding the grip pulse handlebars.