

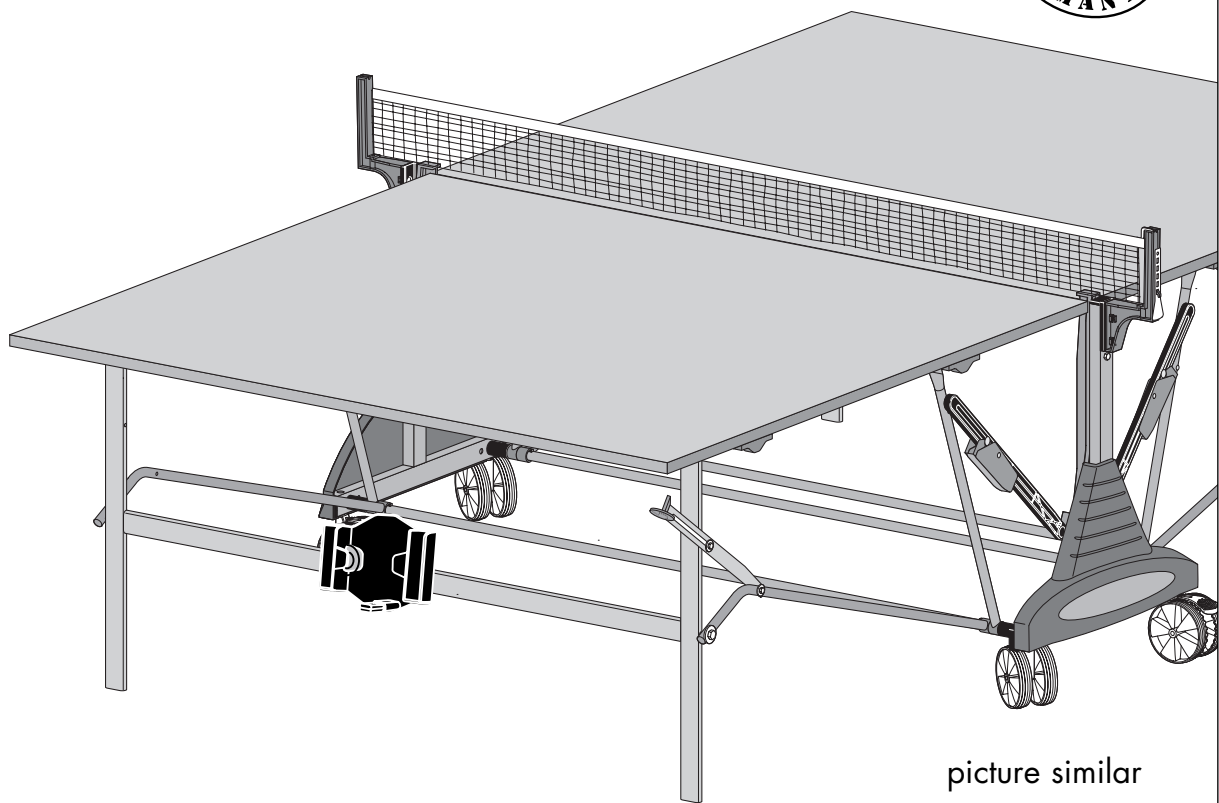
# KETTLER

## Owners Manual Table Tennis Table "STOCKHOLM GT"

Model Number 07162-890/07122-890

Adult Assembly Required

USA



picture similar

KETTLER International Inc. · 1355 London Bridge Road · Virginia Beach, VA 23453 USA  
[www.kettlerusa.com](http://www.kettlerusa.com)  
[info@kettlerusa.com](mailto:info@kettlerusa.com)



FREIZEIT MARKE KETTLER

## Important notes

**Before assembling or using the table-tennis table, please read the following instructions carefully. They contain important information for use and maintenance of the equipment as well as for your personal safety. Keep these instructions in a safe place for maintenance purposes or for ordering spare parts.**

All KETTLER products are designed in accordance with the latest safety regulations and undergo a constant process of quality control during manufacturing. The knowledge gained in this process is used to constantly improve and develop our products. In order to offer our customers the very best in product quality, we reserve the right to make technical changes at any time. In spite of this, should you have any cause for complaint, please contact KETTLER.

### Note on Safety

- The table-tennis table should be used only for its intended purpose, i.e. for playing with suitable table-tennis racquets and balls.
- All other uses are prohibited and may be dangerous. The manufacturer cannot be held liable for damage or injury caused by improper use of the table.
- Damaged or worn components may endanger your safety or shorten the lifespan of the table-tennis table. Replace worn or damaged components immediately and remove the table from use until this has been done. Use only spare parts manufactured by KETTLER.
- The table-tennis table complies with all safety regulations. Incorrect repairs, alterations to the design (removal of original parts, addition of other components etc.) may endanger the safety of the user.
- Instruct other persons (in particular children) using the table in its correct use, and draw their attention to any potential source of danger, especially when setting up or dismantling the table.
- When setting up or dismantling the table, stay clear of its folding radius.
- When folded up, the table-tennis table presents a large surface to the wind. For this reason, ensure that it is stored in a sheltered position.
- The table-tennis table may be pushed only into the transport position because there is otherwise a danger of injury.
- The unit complies with the standard EN 14468-1:2004.
- Depending on frequency of use, check all screws, bolts etc. regularly to ensure that they are in good condition.
- In case of enquiry, please contact your KETTLER dealer.

### Handling the equipment

- Do not use the table-tennis table until it has been fully and correctly assembled and checked.
- Ensure that indoor table-tennis tables are not exposed to dampness or rain. Keep them well away from direct sources of heat. Should the surface become warped, lay the table on a level surface for a few days.
- Set the table up on a level surface.
- Do not cover it with plastic foil, under which condensation may form. To protect your outdoor table keep it closed and covered by the KETTLER table tennis cover (item # 7032-400) when not in use.
- For practicing without a partner, the table halves can be folded up singly.
- For more information on the sport of table-tennis, you are referred to the specialist literature on the subject.
- Do not use corrosive or abrasive materials to clean the equipment. Ensure that such materials are not allowed to pollute the environment. In most cases, a slightly dampened cloth is sufficient.
- **Waste Disposal:** KETTLER products are recyclable. At the end of its useful life please dispose of this article correctly and safely (local refuse sites).

### Instructions for Assembly

- The equipment must be assembled with due care by **two adult persons**.
- Ensure that you have received all the parts required (see check list) and that they are undamaged. Should you have any cause for complaint, please contact your KETTLER dealer.
- Before assembling the equipment, study the drawings carefully and carry out the operations in the order shown by the diagrams. The correct sequence is given in capital letters.
- Please note that there is **always** a danger of injury when working with tools or doing manual work. Therefore please be careful when assembling this machine.
- Ensure that your working area is free of possible sources of danger, for example don't leave any tools lying around. Always dispose packaging material in such a way that it may not cause any danger. There is always a **risk of suffocation** if children play with plastic bags!
- The fastening material required for each assembly step is shown in the diagram inset. Use the fastening material exactly as instructed.
- Bolt all the parts together loosely at first, and check that they have been assembled correctly. Tighten the locknuts by hand until resistance is felt, then **use wrench to finally tighten nuts completely against resistance (locking device)**. Then check that all screw connections have been tightened firmly. **Attention:** once locknuts have been unscrewed they no longer function correctly (the locking device is destroyed), and must be replaced.
- For technical reasons, we reserve the right to carry out preliminary assembly work (e.g. addition of tubing plugs).
- Please keep original packaging of this article, so that it may be used for transport at a later date, if necessary.

### List of spare parts

When ordering spare parts, always state the full article number, spare-part number, the quantity required and the S/N of the product (see spare parts drawing).

**Example order:** Art. no. 07122-890 / spare-part no. 10100016 / 2 pieces / S/N.....

**Important:** spare part prices do not include fastening material; if fasten-

ing material (bolts, nuts, washers etc.) is required, this should be clearly stated on the order by adding the words „**with fastening material**“.

For parts and service **ONLY** call 866.804.0440 or send email to [parts@kettlerusa.com](mailto:parts@kettlerusa.com)

**KETTLER International Inc.** · 1355, London Bridge Road · Virginia Beach, VA 23453 USA

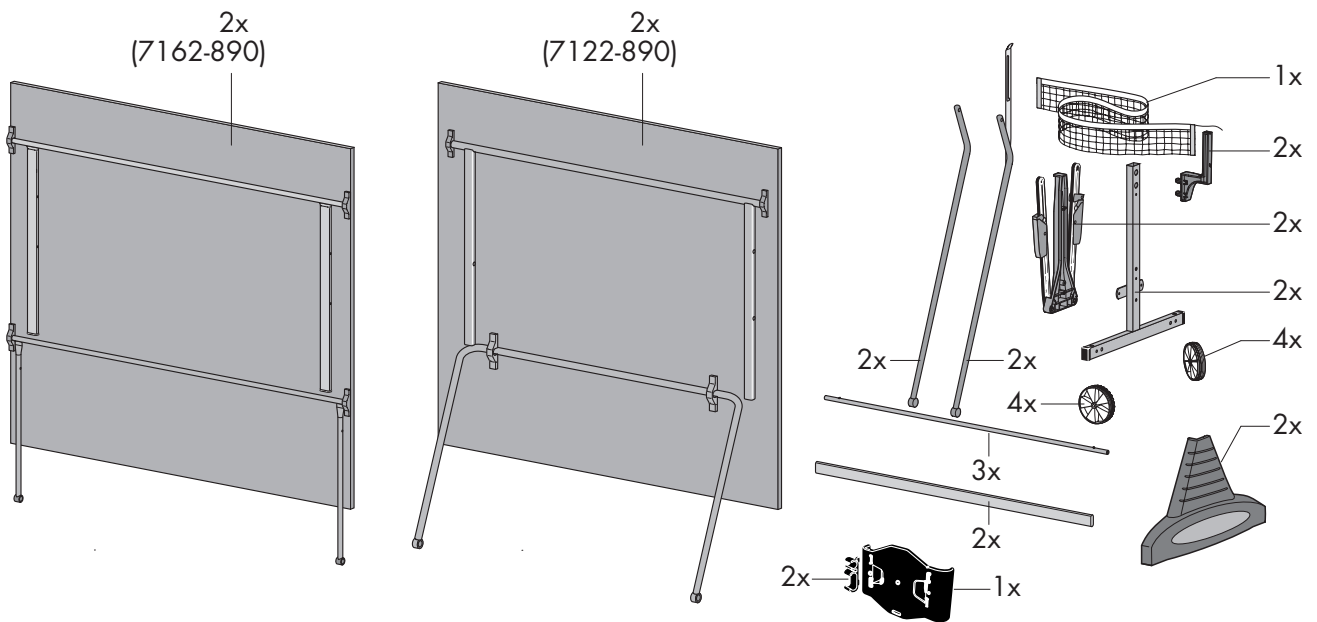
# KETTLER LIMITED WARRANTY

THERE ARE NO WARRANTIES, EXPRESSED OR IMPLIED, MADE BY EITHER THE DISTRIBUTOR OR THE MANUFACTURER ON KETTLER PRODUCTS, EXCEPT THE MANUFACTURER'S LIMITED WARRANTY AGAINST DEFECTS IN MATERIAL SET OUT BELOW:

This KETTLER Limited Warranty applies to products sold through the KETTLER Authorized Dealer Network to the original retail purchaser and authenticated by proof of purchase from a retailer located in the United States. Any shipments made under this warranty will be shipped to the United States only. Any shipment outside of the United States will be at the sole cost of the customer. This KETTLER Limited Warranty is a manufacturer's warranty and is not changed or modified by additional warranties extended by individual retailers at the point of sale. Manufacturer warrants this product to be free from defects in material at the time of the product's tender of delivery for a period of 3 years for residential use and 1 year for non-residential use. This Limited Warranty is not transferable and does not cover normal wear and tear (including, but not limited to, damage and wear to tires, power shocks, drive belts and other non-durable parts). The liability of the manufacturer under this Limited Warranty shall not include any liability for direct, indirect, or consequential damages resulting from the defect. This Limited Warranty is void if the product is damaged by accident, unreasonable use, improper service, failure to follow instructions provided, modification from its original state, or other causes determined not arising out of defects in material. This warranty gives you specific legal rights. Should this product become defective due to material within the warranty period, contact KETTLER Parts & Service Dept. by phone at 866.804.0440, fax at 757.563.9273, or e-mail at parts@kettlerusa.com.

THIS LIMITED WARRANTY IS EXPRESSLY IN LIEU OF ANY OTHER WARRANTIES, EXPRESSED OR IMPLIED, INCLUDING ANY IMPLIED WARRANTY OF MERCHANTABILITY OR FITNESS FOR A PARTICULAR PURPOSE, AND OF ANY OTHER OBLIGATIONS OR LIABILITY ON THE PART OF THE MANUFACTURER. KETTLER NEITHER ASSUMES NOR AUTHORIZES ANY OTHER PERSON TO ASSUME FOR IT ANY OTHER LIABILITY IN CONNECTION WITH SUCH PRODUCTS.

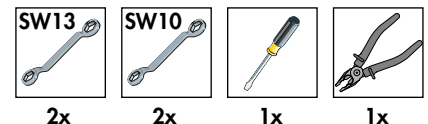
## Checklist



4x M8x125	4x M8x110	8x M8	2x	4x	4x	
4x M6x100	4x M5x65	4x $\varnothing 12$	6x M6	4x	2x	6x
6x M8x60	2x M6x58	8x $\varnothing 12,5$	4x M5	4x	2x	2x
4x M6x45	4x M6x49	24x $\varnothing 16$	4x M6	4x  M6x 3mm	2x	2x
	6x 3,9x13	10x $\varnothing 25$	2x	4x  M6x 5mm	2x	2x

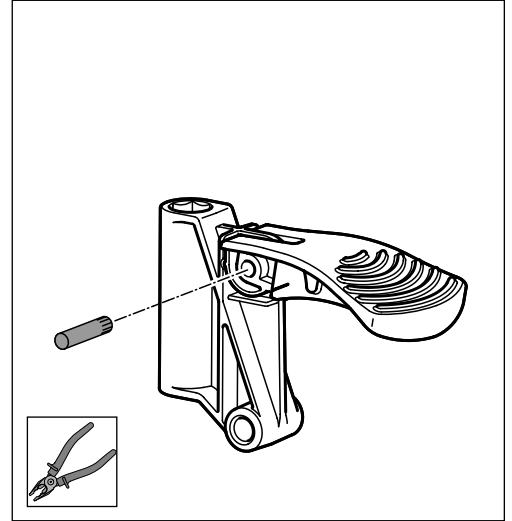
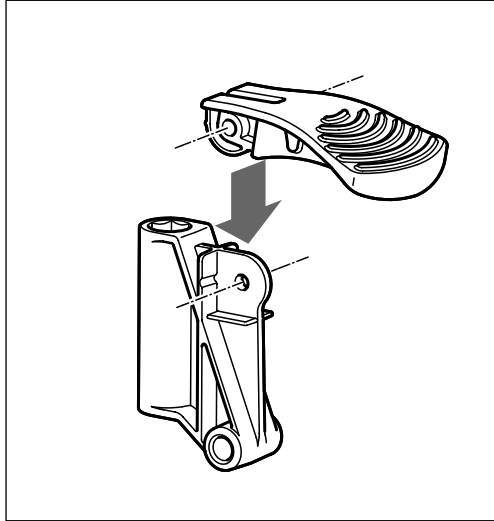


You also need the following tools (Not included):

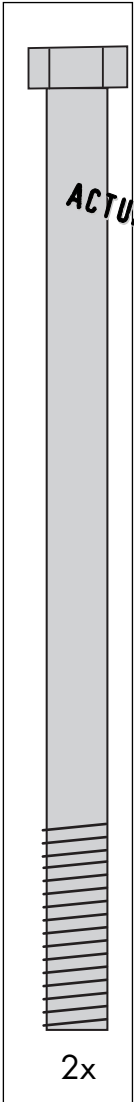


1

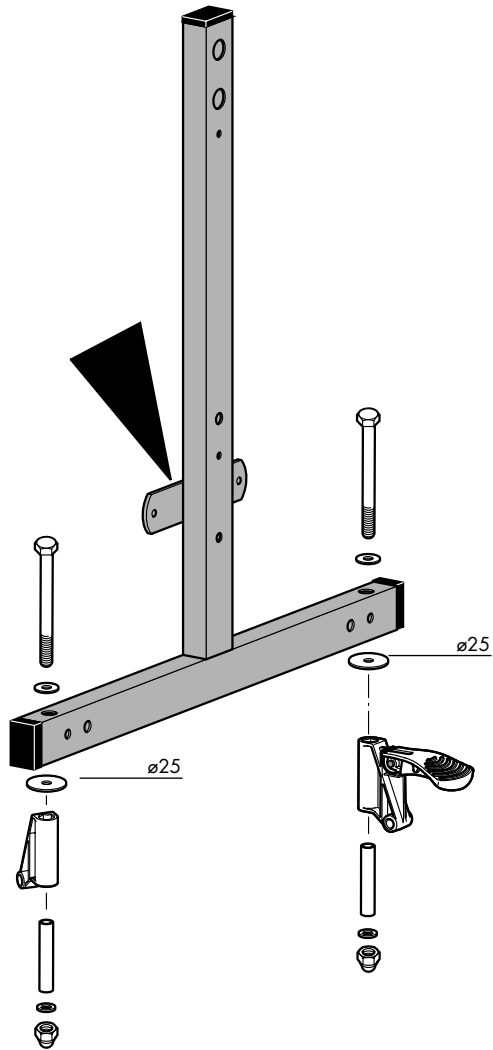
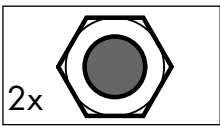
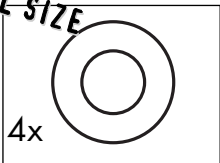
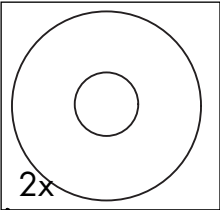
2x



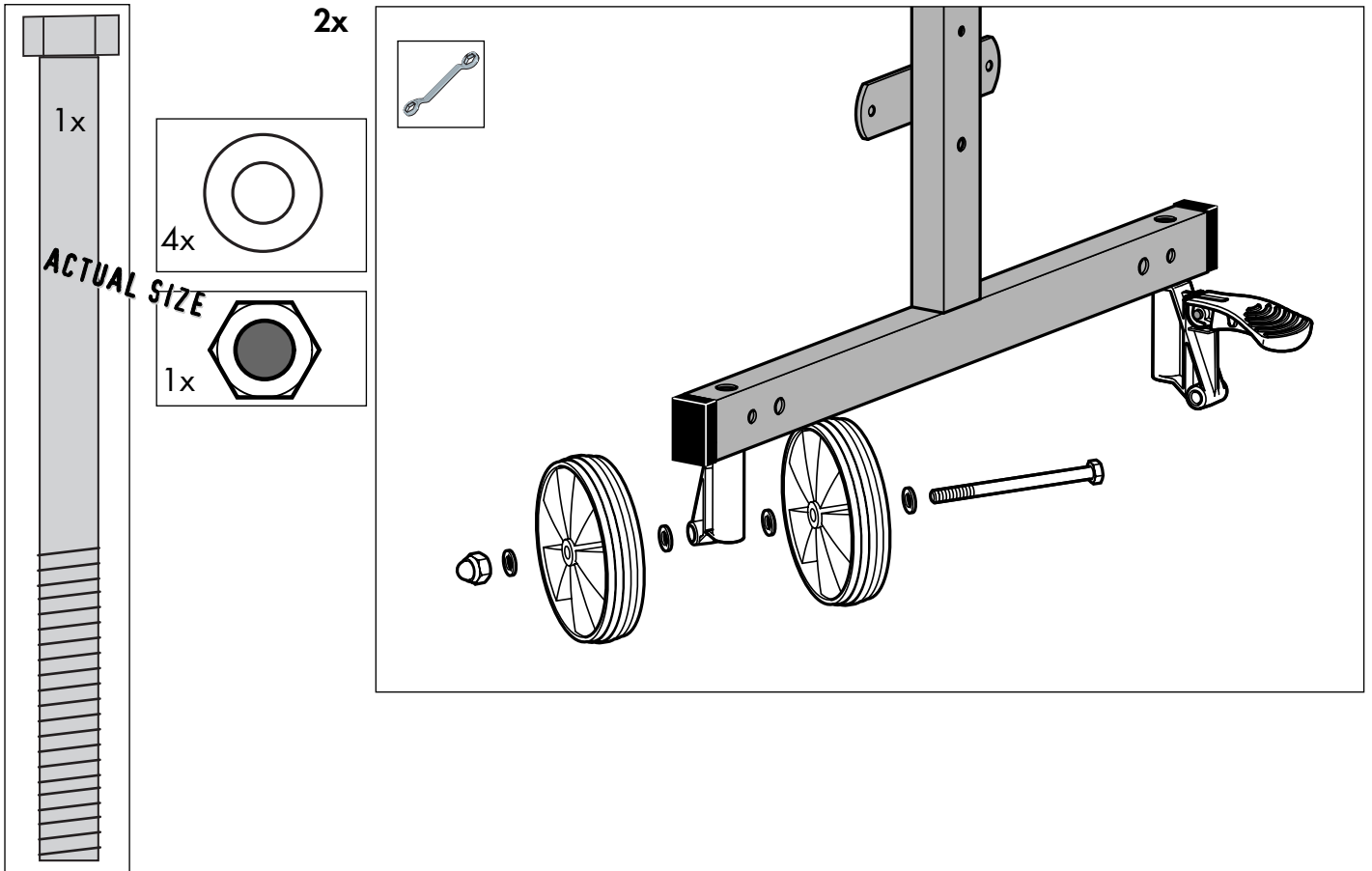
2



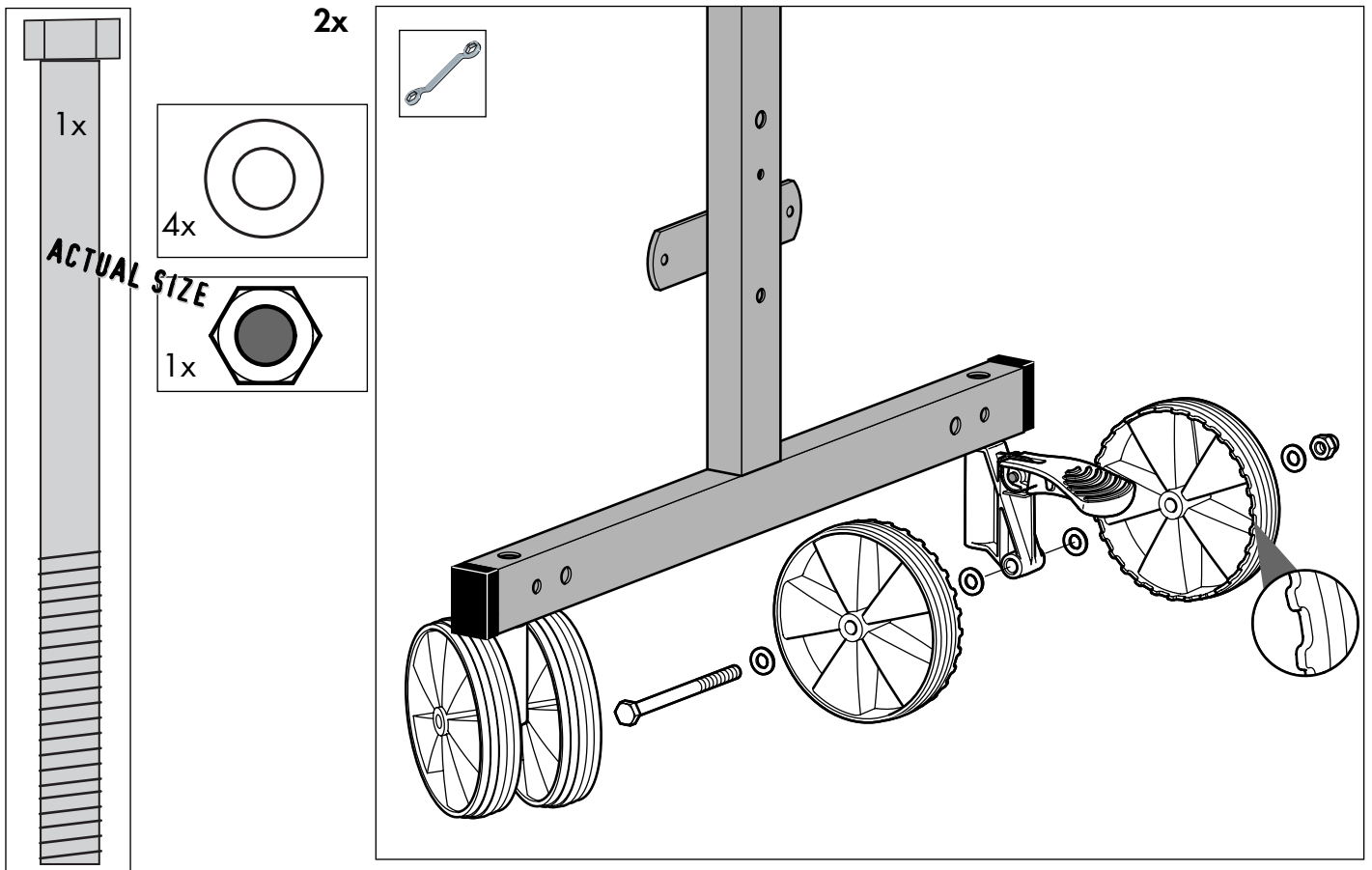
ACTUAL SIZE



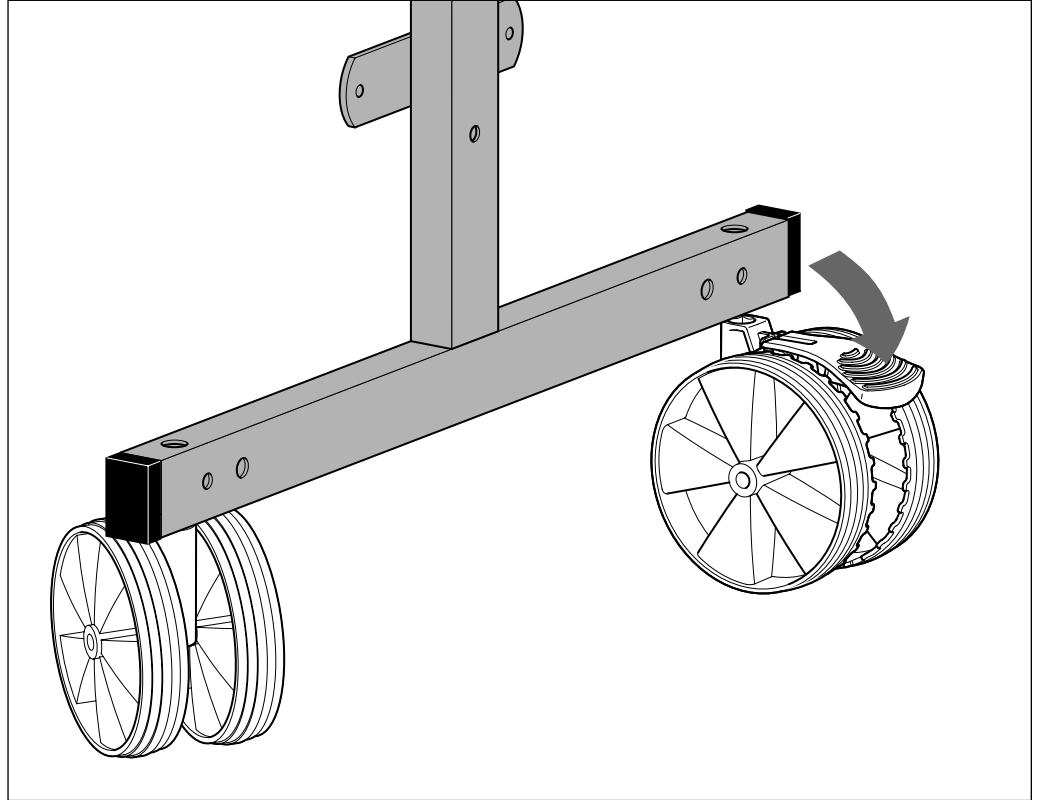
3



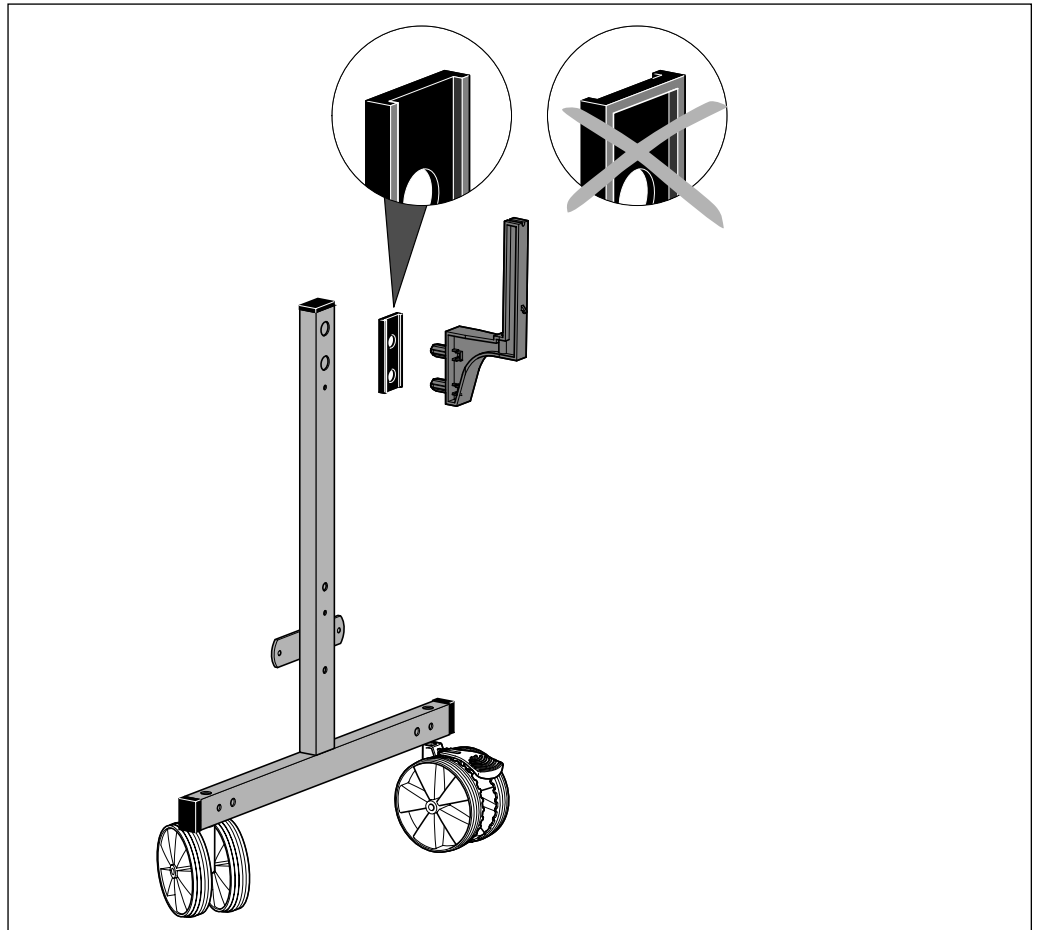
4

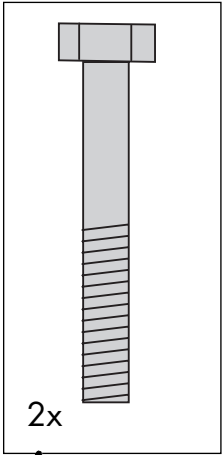


2x

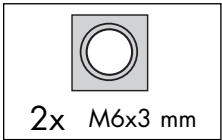


2x

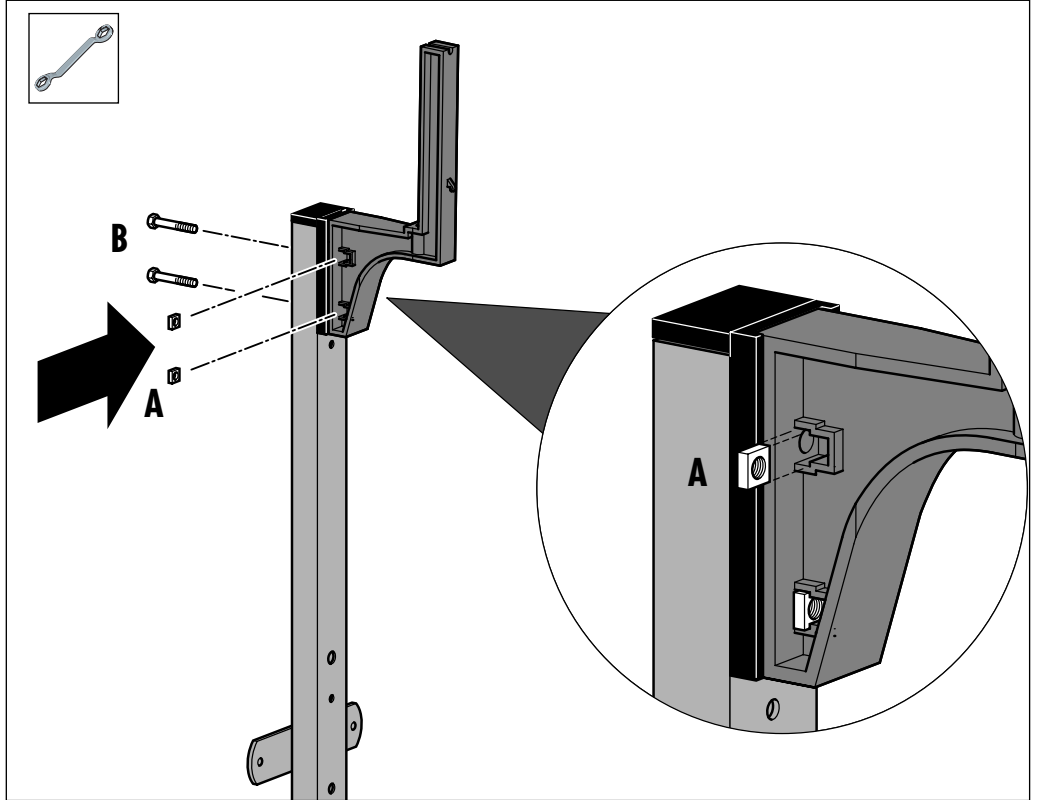




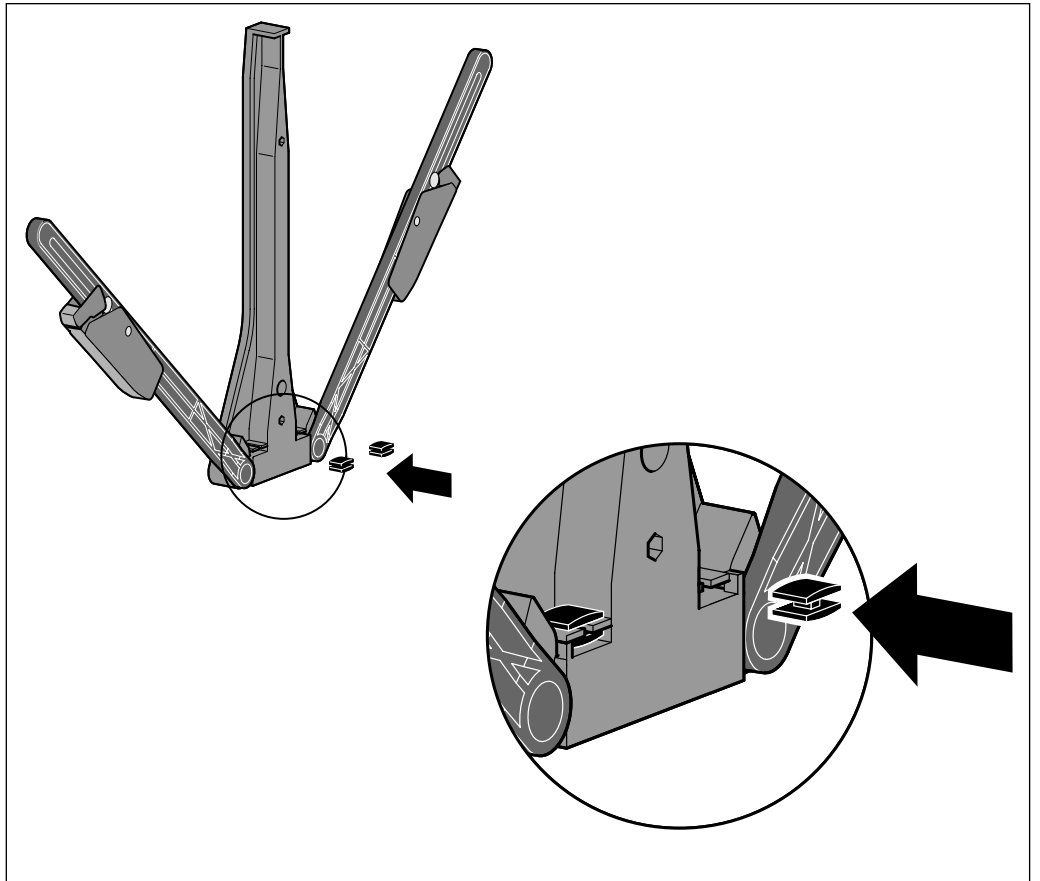
ACTUAL SIZE

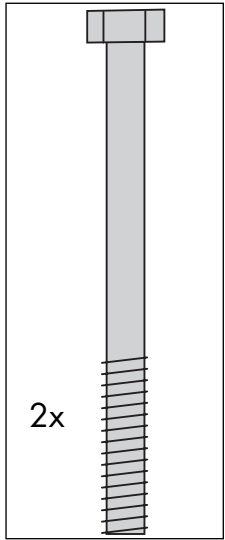


2x

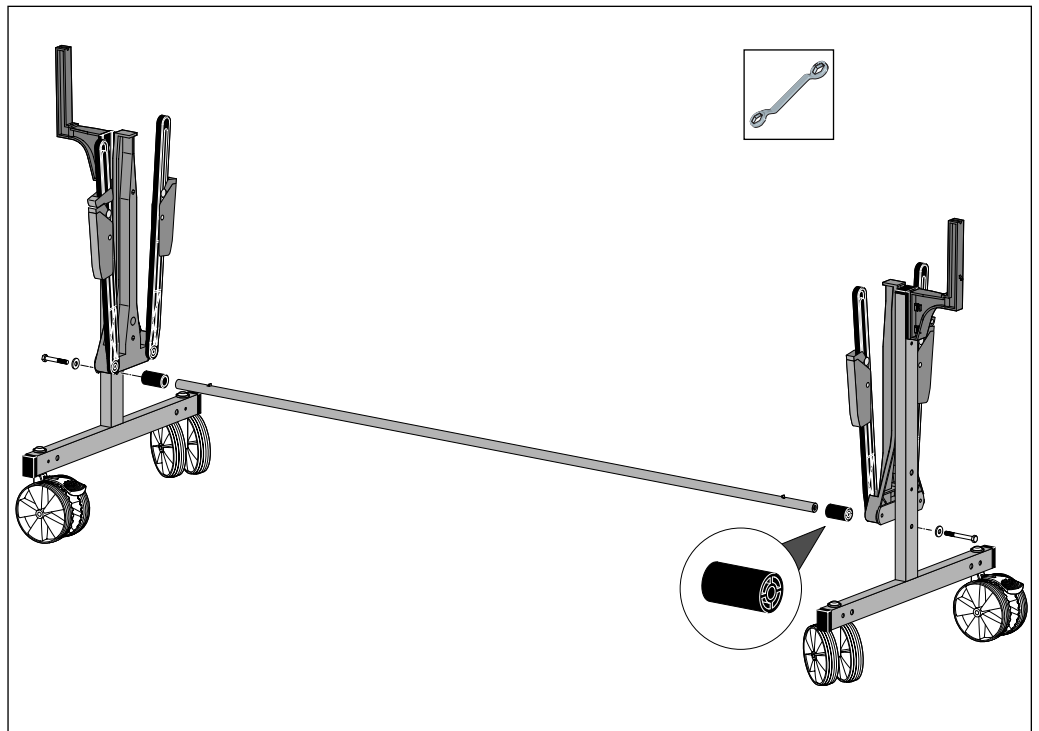
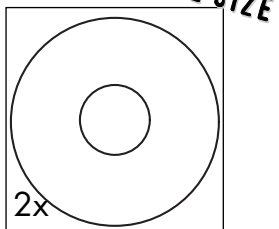
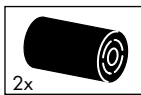
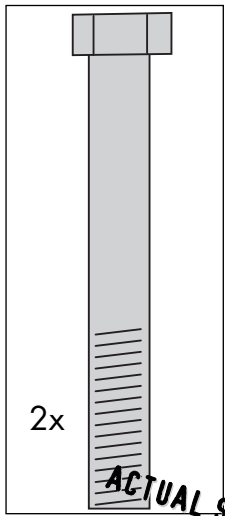
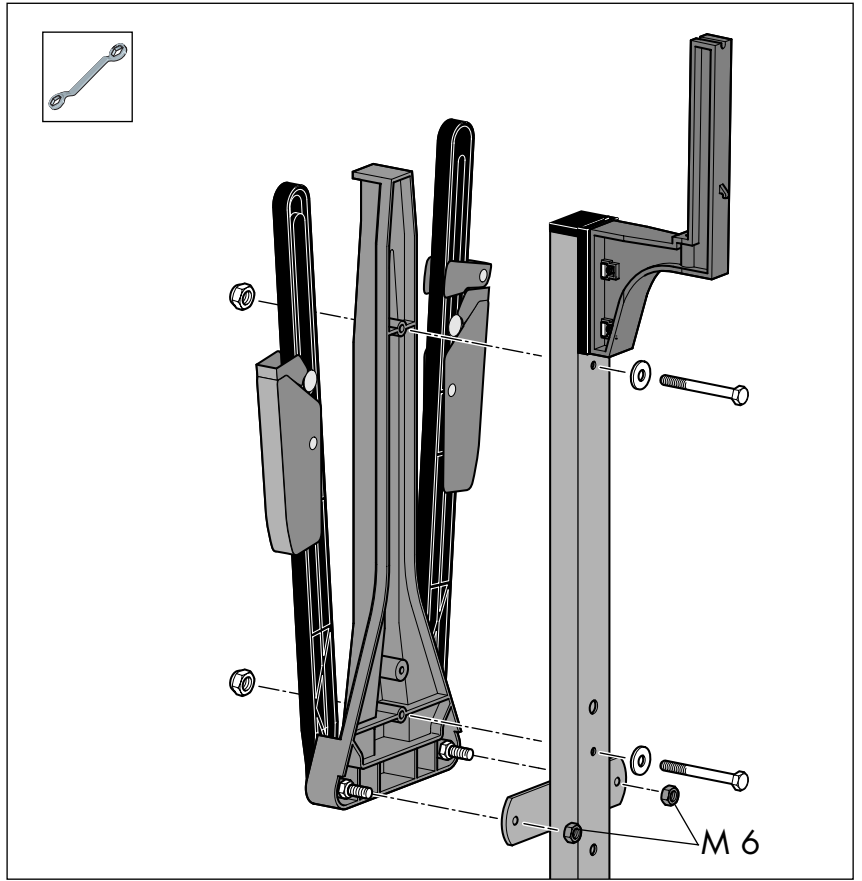
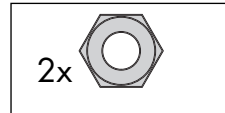
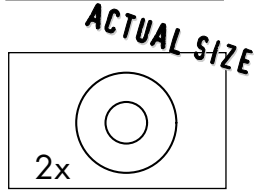


2x



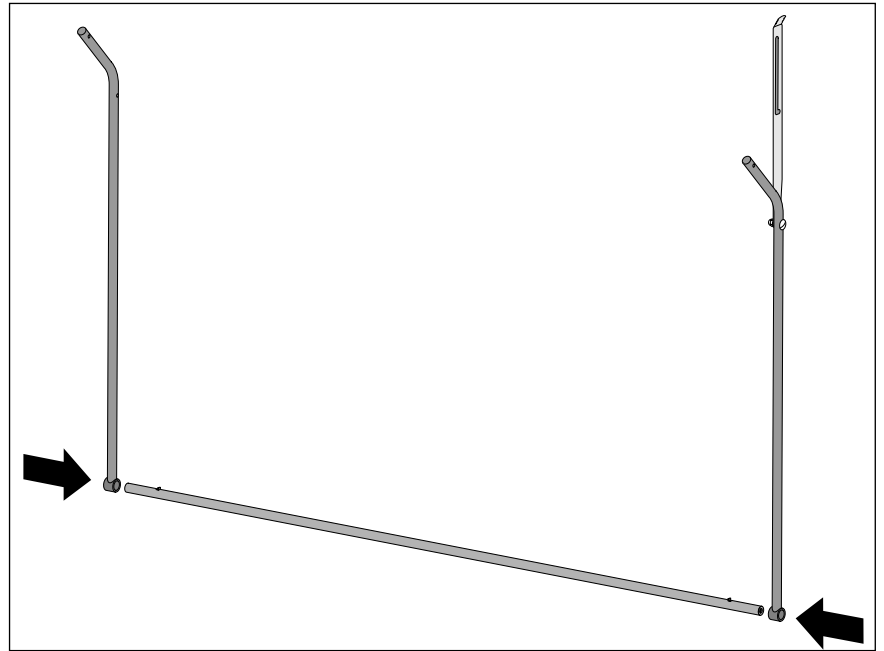


2x

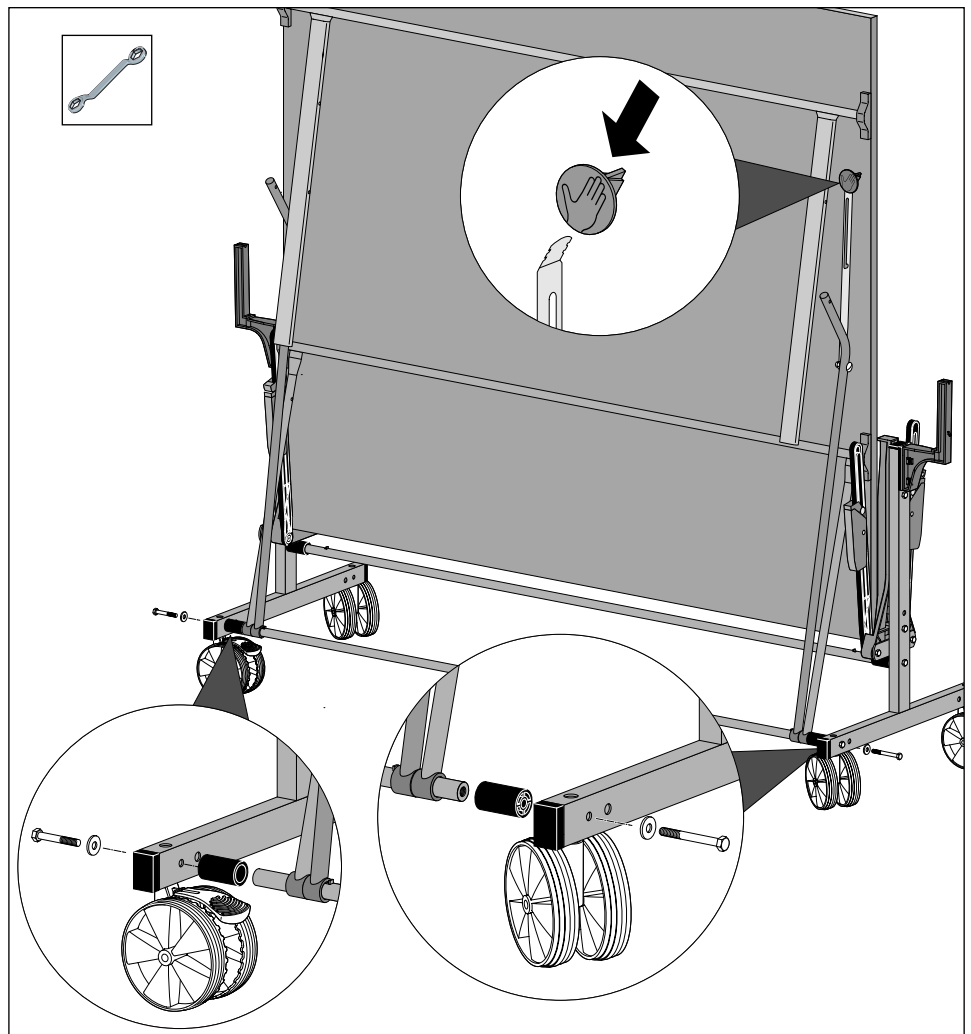
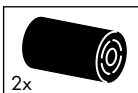
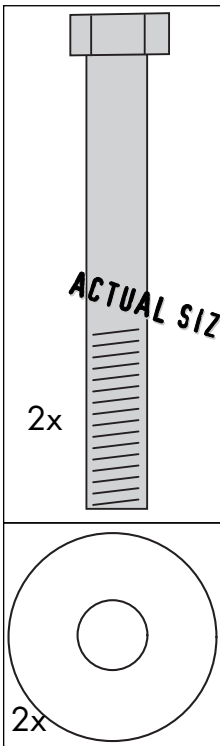




2x

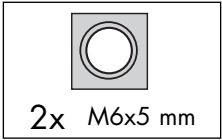


**Attention: By all means, secure the table half against sliding and/or overturning for the subsequent installation steps! First, have a second person bolt the support legs attached to the table with the lateral parts.**



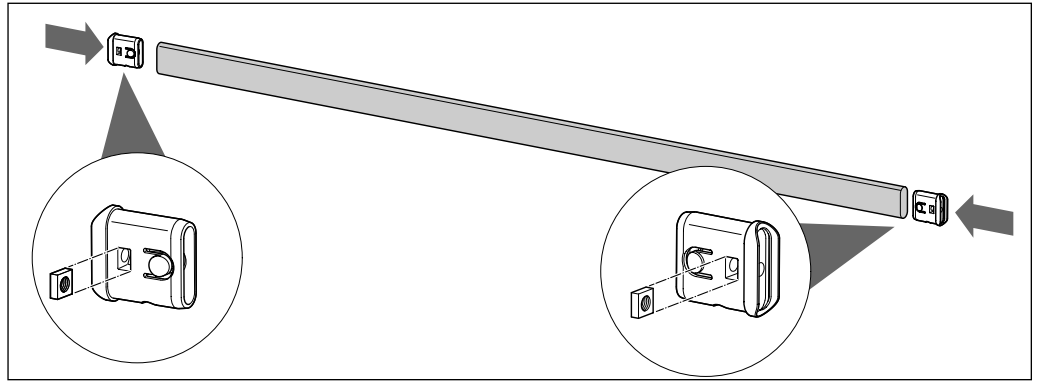
To do this, the braces for the frame must be bent slightly to the side. Proceed with care when doing this.

13

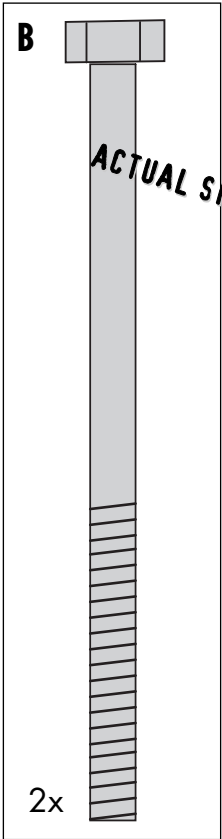


ACTUAL SIZE

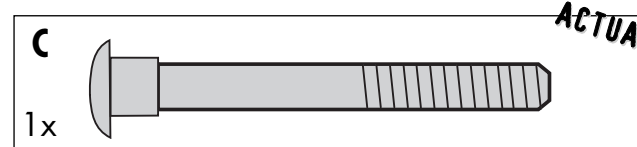
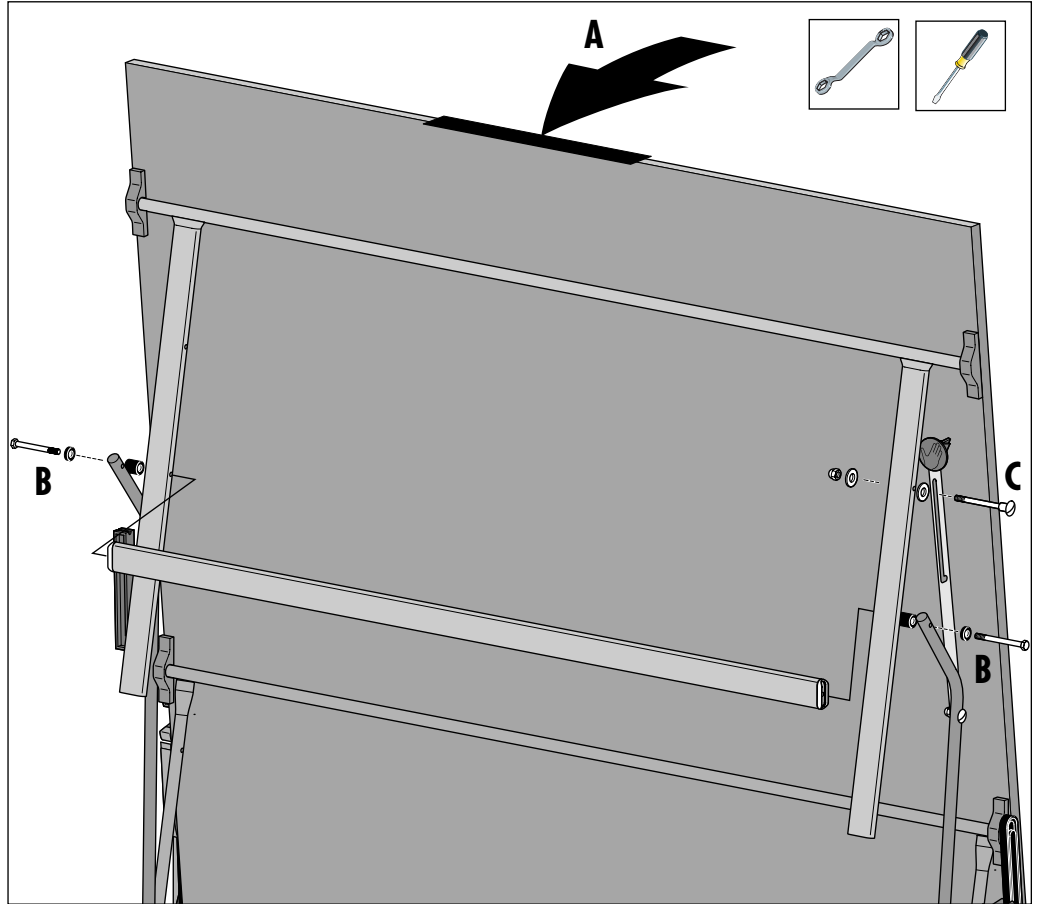
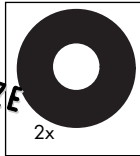
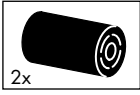
2x



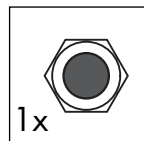
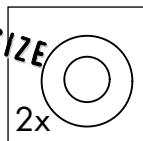
14



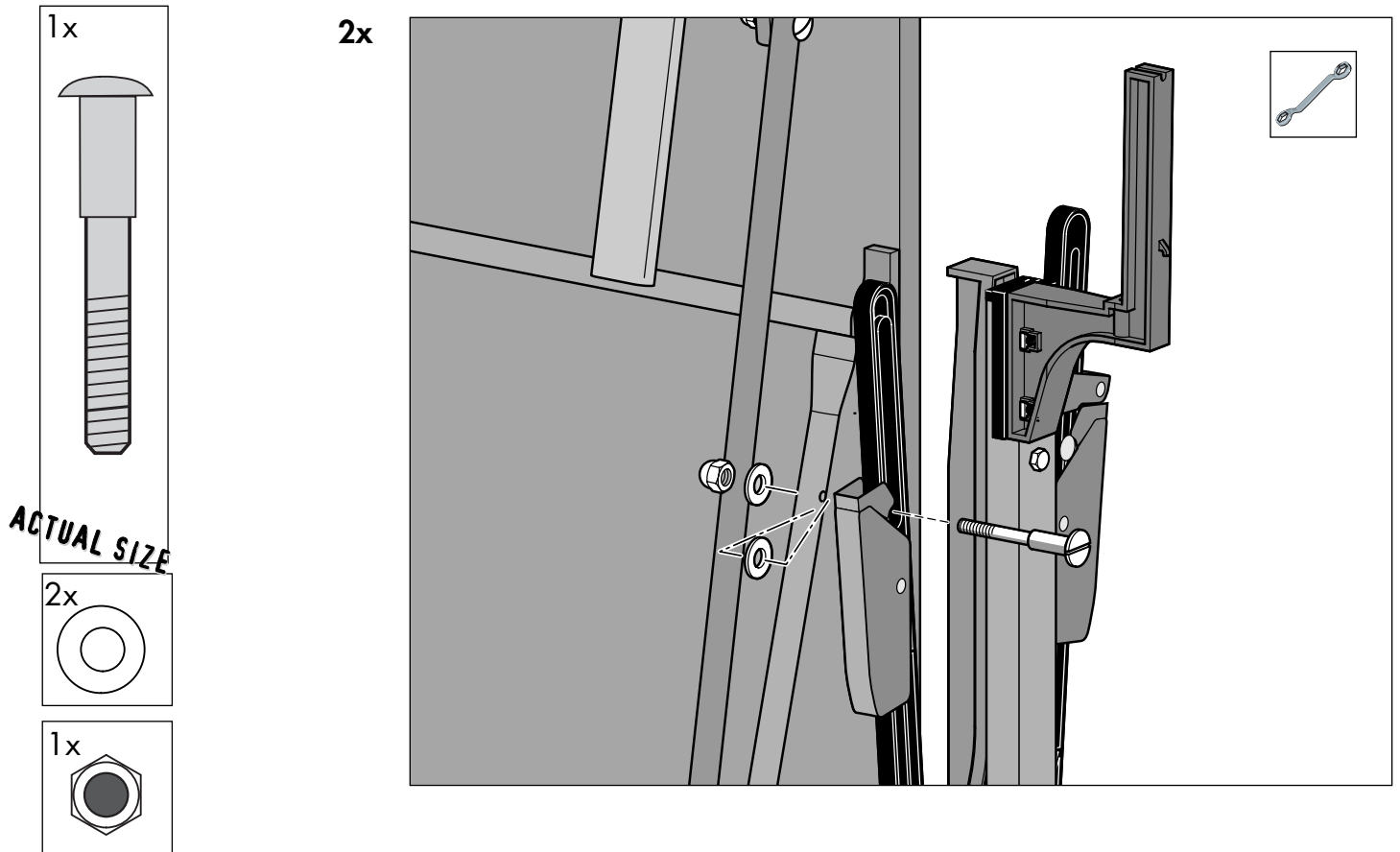
ACTUAL SIZE



ACTUAL SIZE

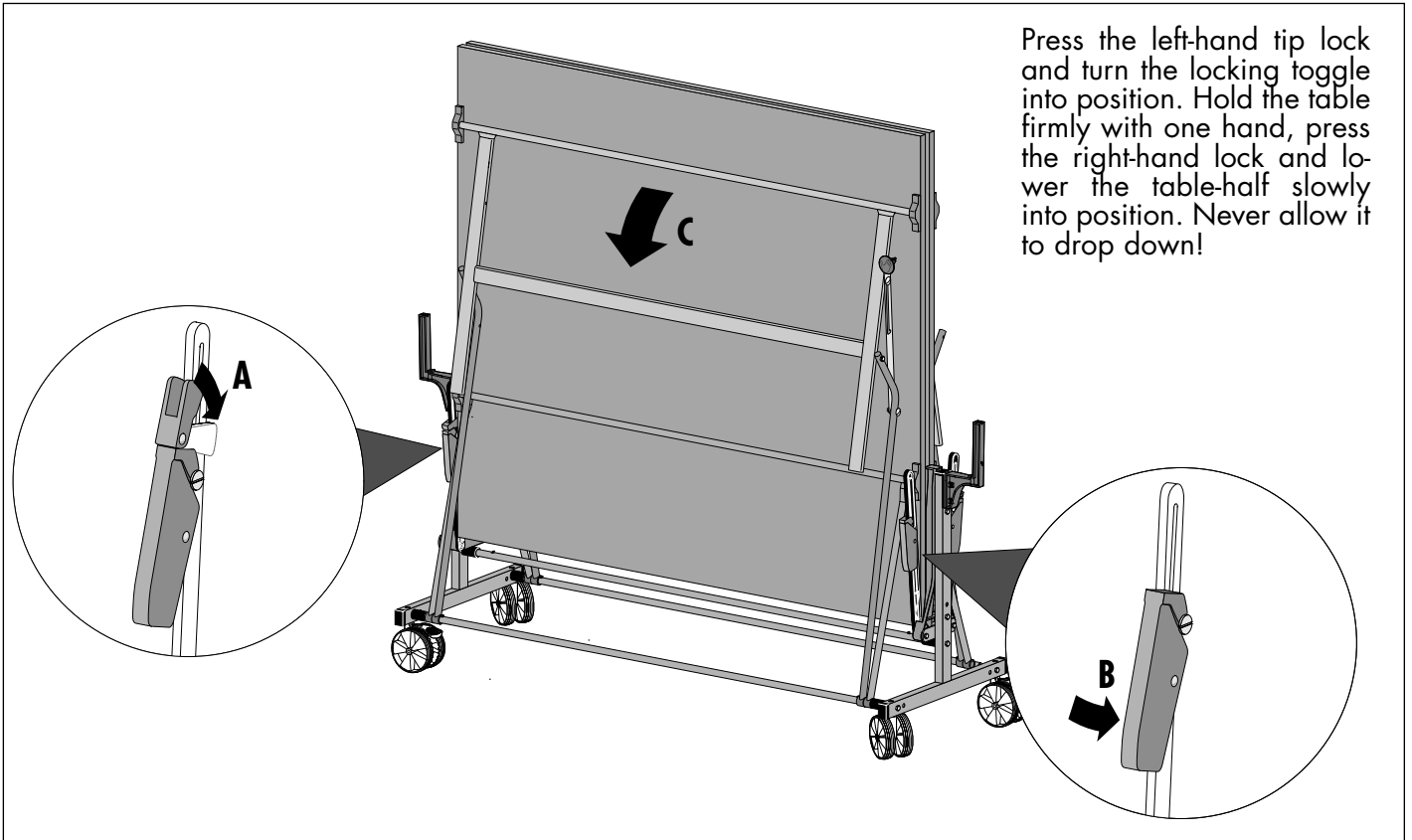


To do this, pull the table top down partially (A).

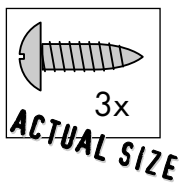


Carry out steps 12 – 15 for the second half of the table. Again, ensure that the table cannot slip or tilt over!

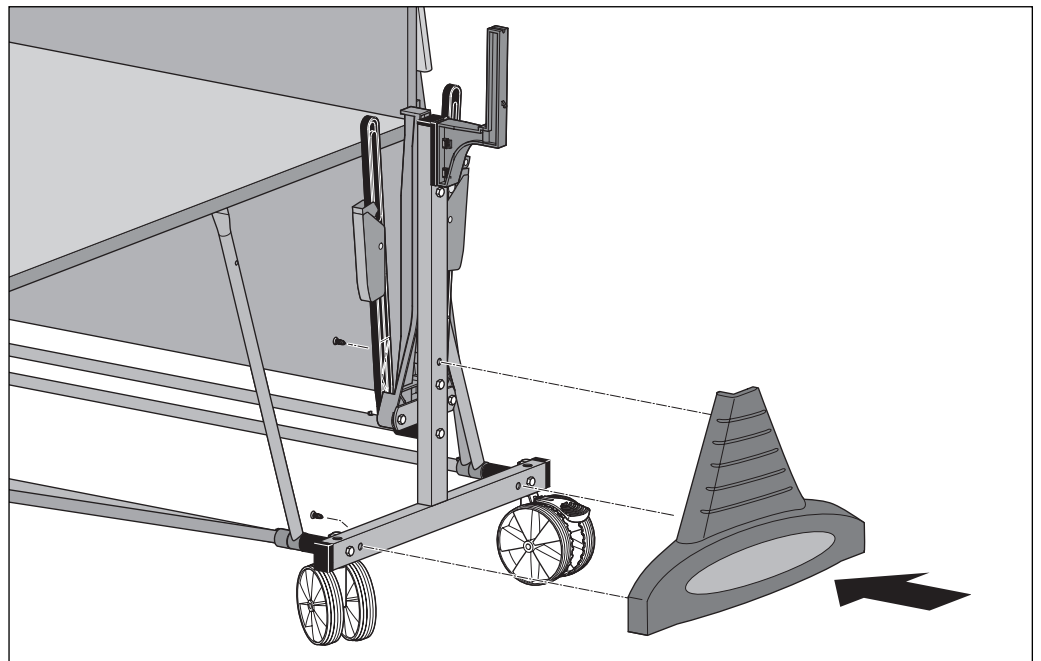
## 17 Lowering the table halves



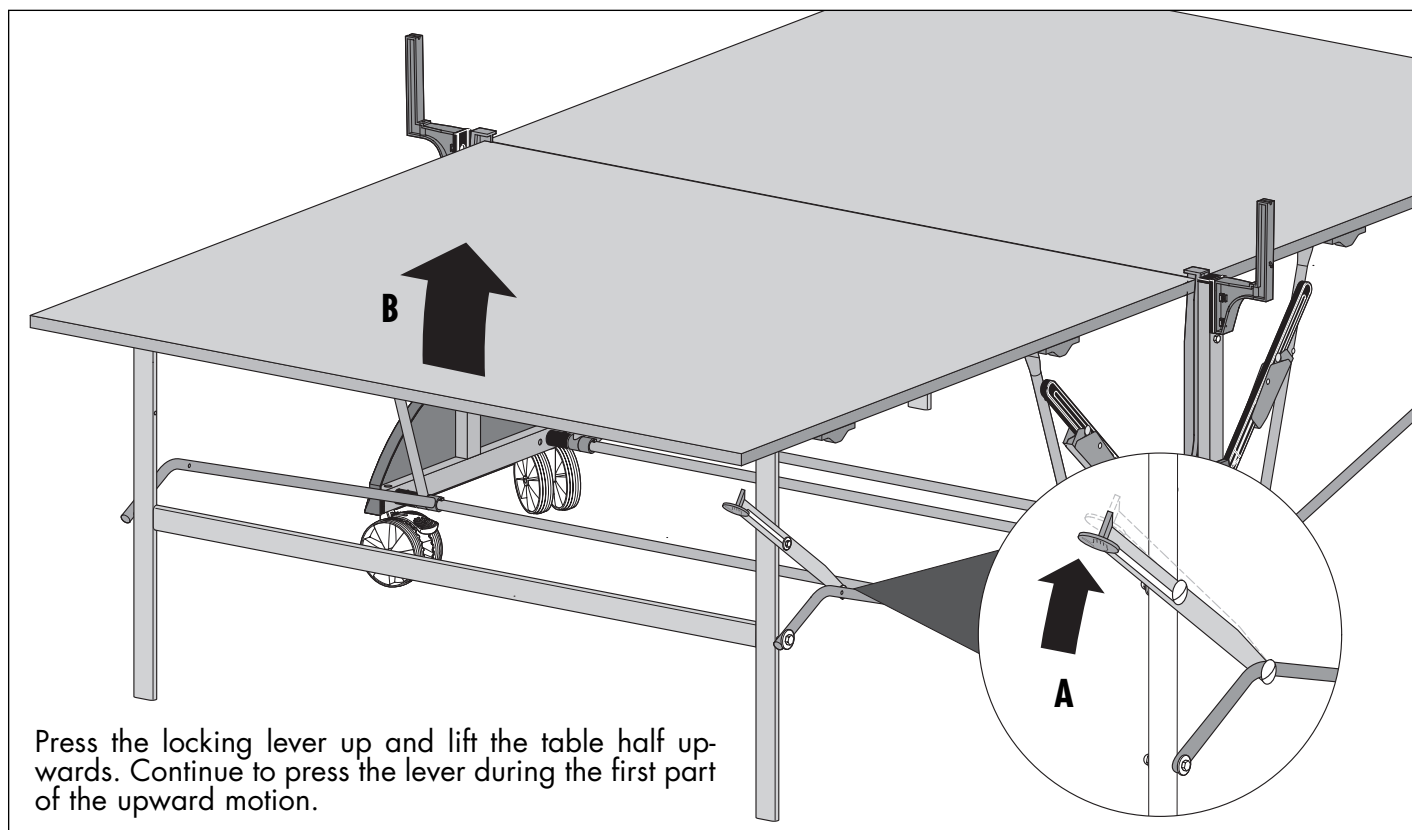
## 18



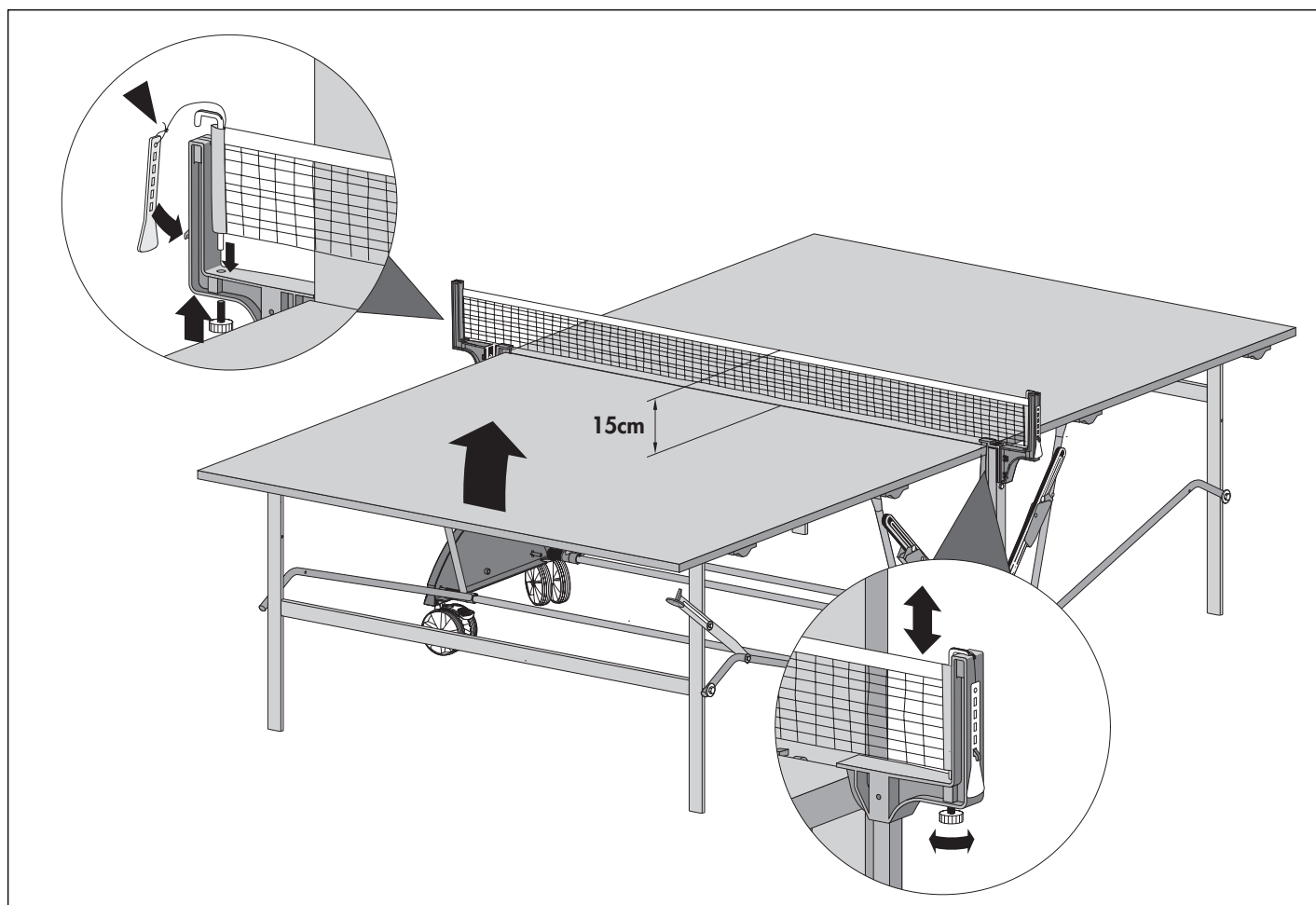
2x



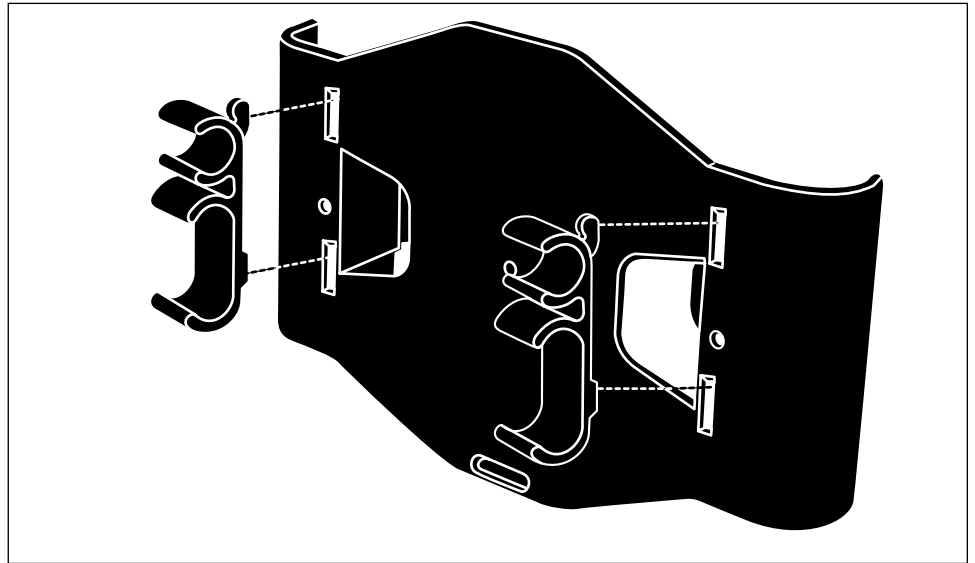
## 19 Folding the table halves



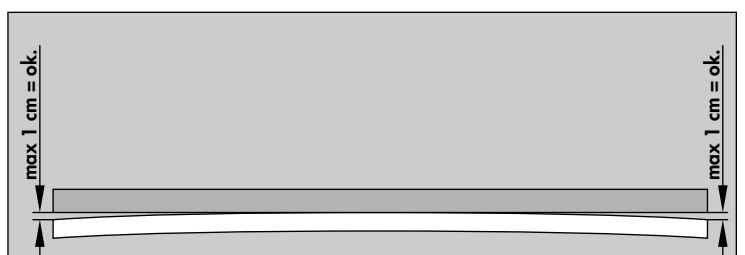
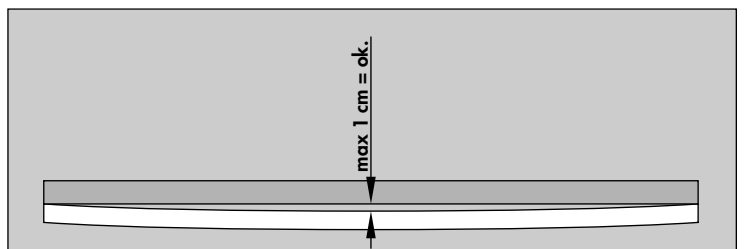
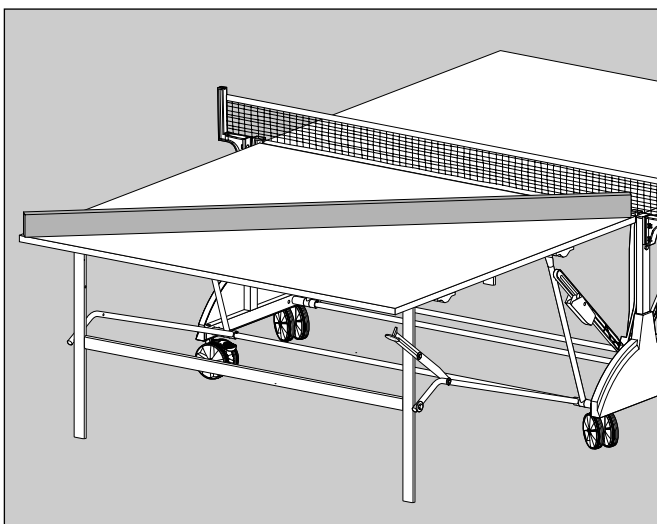
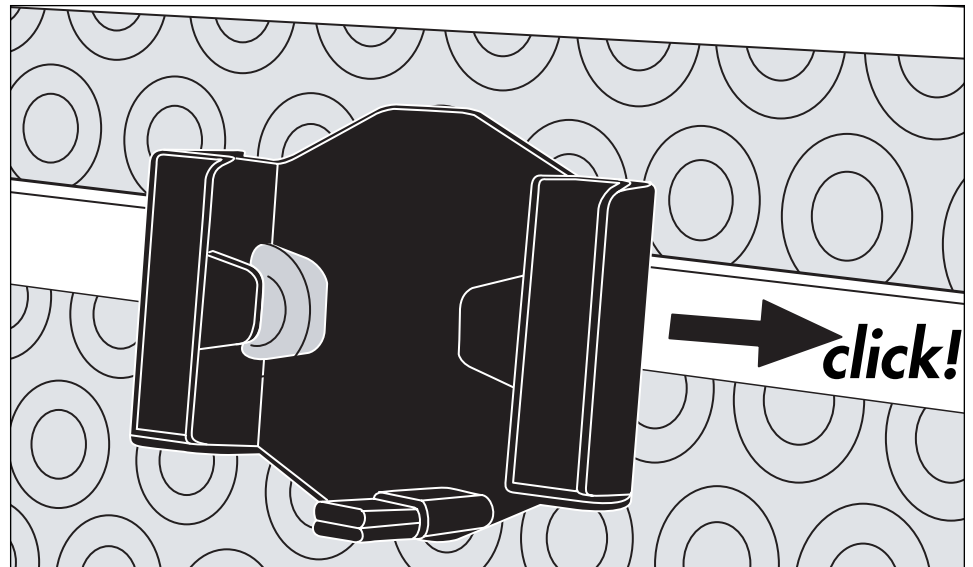
## 20



A

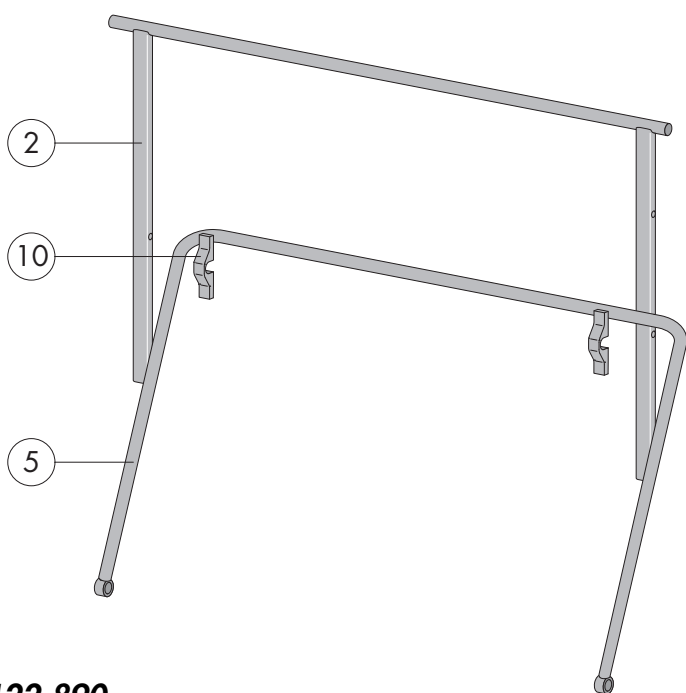
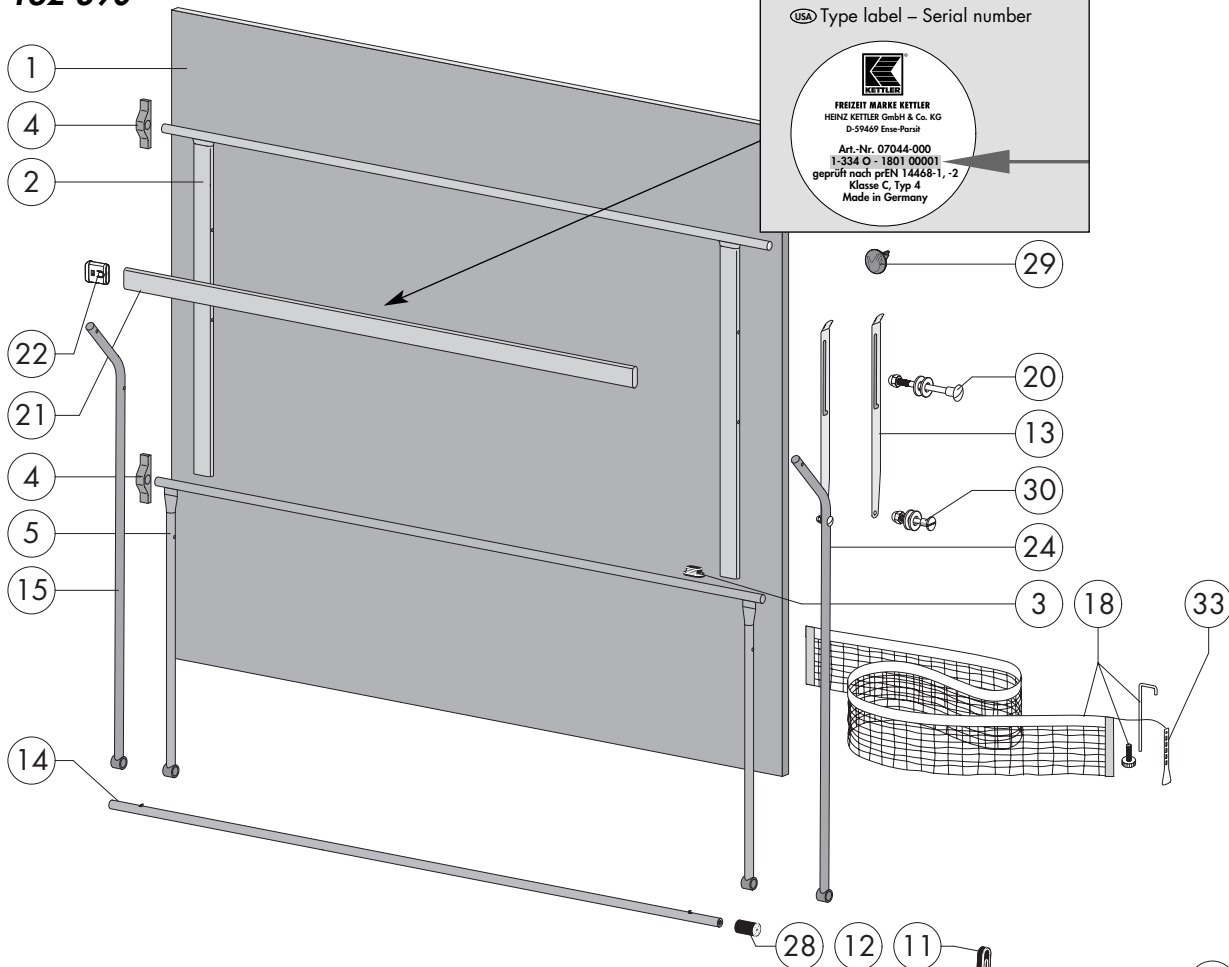


B

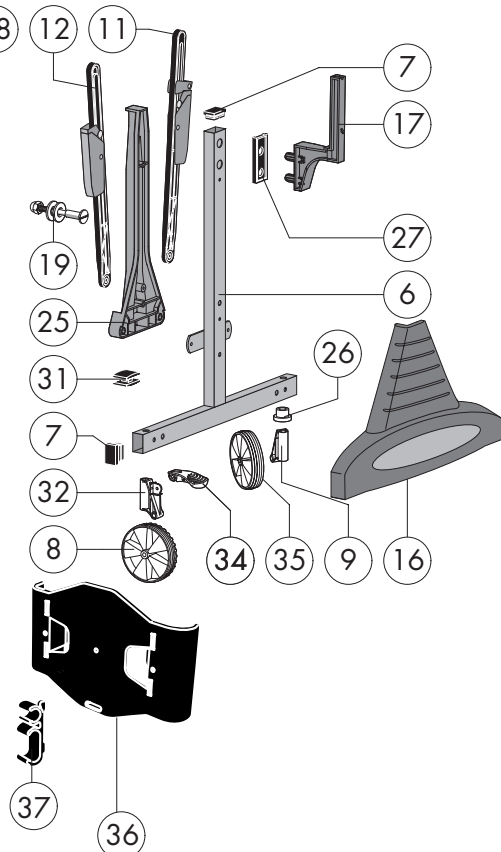


# Spare parts drawing and list

07162-890



07122-890



## Spare parts list

item #	description	qty	spare part #	
			indoor	outdoor
1	Tennis table top,halve (please state also the item # of your table)	2	94130008	94130058
2	Leg with oval footcap	2	94111114	94111122
3	Oval footcap	4	10100062	10100062
4	Round leg clamp	4	94110257	-
4	Round leg clamp	8	-	10128024
5	Support leg	2	94110732	94110742
6	Wheel base	2	94111121	94111121
7	Endcap 40x25mm	6	10100009	10100009
8	Locking wheel	4	70130761	70130761
9	Stemtube for non-locking wheel	2	70130812	70130812
10	Round open end leg clamp	4	94110192	-
11	Locking strut with thumb latch	2	94110959	94110959
12	Locking strut without thumb latch	2	94110960	94110960
13	Safety lever	2	94111120	94111120
14	Round crossbar	3	94110712	94110712
15	Jbar without safety lever hole	2	94110891	94110891
16	Sideshroud	2	70130987	70130987
17	Net post.	2	94110833	94110833
18	Net kit complete	1	94180128	94180128
19	Shoulder bolt m6x49mm	4	10201205	10201205
20	Shoulder bolt m6x58mm	2	10201210	10201210
21	Oval crossbar	2	94111116	94111116
22	Oval plug	4	70130832	70130832
23	Hardware Bag	1	94180151	94180151
24	Jbar with safety lever hole	2	94111119	94111119
25	Alignment Strut	2	70130601	70130601
26	PVC bushing for wheel base	8	10116011	10116011
27	Black PVC shim for net post	2	70130520	70130520
28	Spacer Sleeve 18x45mm	6	70130525	70130525
29	Hand grip for safety lever	2	70130532	70130532
30	Shoulder bolt m6x30mm	2	10201208	10201208
31	Hi pad (set of four)	1	-	94180145
32	Stemtube for locking wheel	2	70130815	70130815
33	White PVC tab for net	2	10128002	10128002
34	Red PVC footlock	2	70130816	70130816
35	Non-locking wheel	4	70130762	70130762
36	Racquet/Ball Holder	1	70130562	70130562
37	Clamp for racquet/ball holder	2	70130568	70130568