



OWNER'S MANUAL

CHAMPION 8 FT. DROP POCKET POOL TABLE

MODEL NO. P1225LGRL 527.25155

MODEL NO. P1227LGRLA 527.25165

1. READ THIS MANUAL CAREFULLY BEFORE STARTING ASSEMBLY.
Read each step completely before beginning each step.
2. SOME SMALLER PARTS MAY BE SHIPPED INSIDE LARGER PARTS. CHECK INSIDE ALL PARTS AND CARTONS BEFORE ASSEMBLING OR ORDERING PARTS.
3. USE THE HARDWARE IDENTIFIER TO IDENTIFY AND SORT ALL FASTENERS. CHECK ALL CARTONS FOR KITS. ALL HARDWARE IS NOT LOCATED IN ONE KIT.

THIS TABLE IS CONTAINED IN THREE SEPARATE CONTAINERS:

PLEASE DO NOT RETURN PRODUCT TO THE STORE!

Contact Escalade® Sports customer service department at:

Phone: 1-866-556-2757 Toll Free !

Fax: 1-866-873-3532 Toll Free !

E-mail: billiardtables@escaladesports.com

Mailing Address (Correspondence Only):

Escalade® Sports, PO Box 889, Evansville, IN 47706

Please visit our World Wide Web site at:

www.escaladesports.com

On-Line Trouble Shooting Frequently Asked Questions

Technical Assistance On-Line Parts Requests

Additional Escalade® Sports Product Information

ESCALADE®
SPORTS

2L-6860-00

©2004 Escalade® Sports

Escalade® Sports products may be manufactured and/or licensed under the following patents.
D446275

Additional patents may be pending. One or more of the listed patents and/or pending patents may cover specific product.

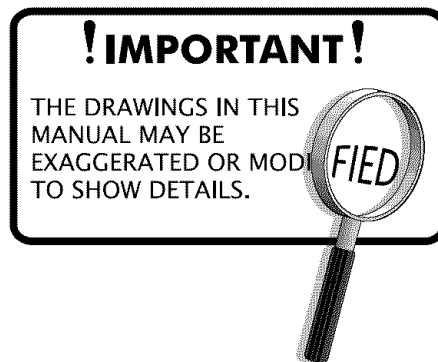


CAUTION



THE SPRAY ADHESIVE USED FOR APPLYING PLAYFIELD CLOTH IS EXTREMELY FLAMMABLE AND UNDER PRESSURE! CAREFULLY READ CAUTIONS ON SPRAY ADHESIVE CONTAINER! KEEP OUT OF THE REACH OF CHILDREN! DO NOT USE OR STORE NEAR HEAT SOURCE, FLAMES, SPARKS OR WHEN SMOKING! WORK AREA MUST BE WELL VENTILATED. OPEN DOORS AND WINDOWS WHEN USING SPRAY ADHESIVE.

To ensure safety, do not attempt to assemble system without following instructions carefully. Proper and complete assembly, use, and supervision is essential for proper operation and to reduce the risk of accident or injury. A high probability of serious injury exists if this system is not installed, maintained, and operated properly.



Tools Needed: (Not Included)

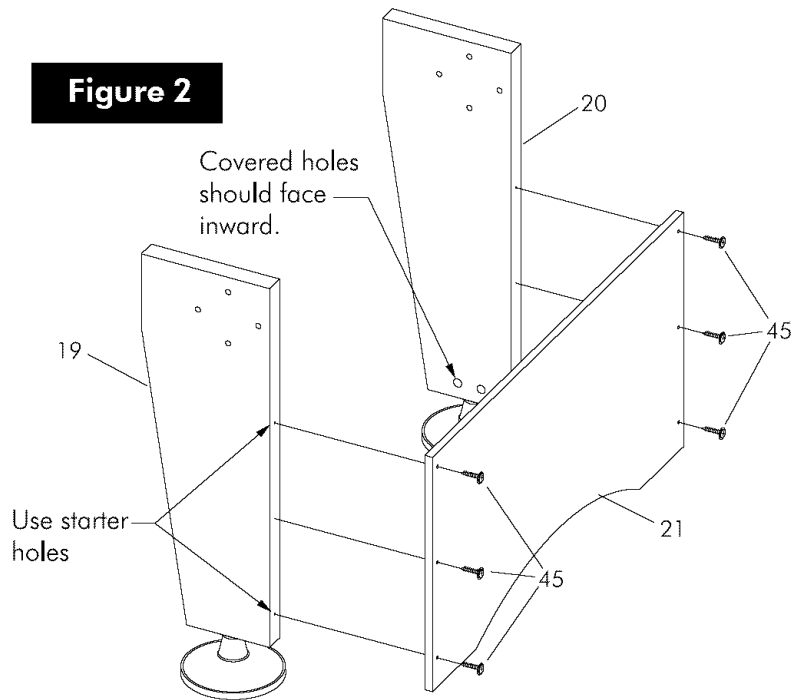
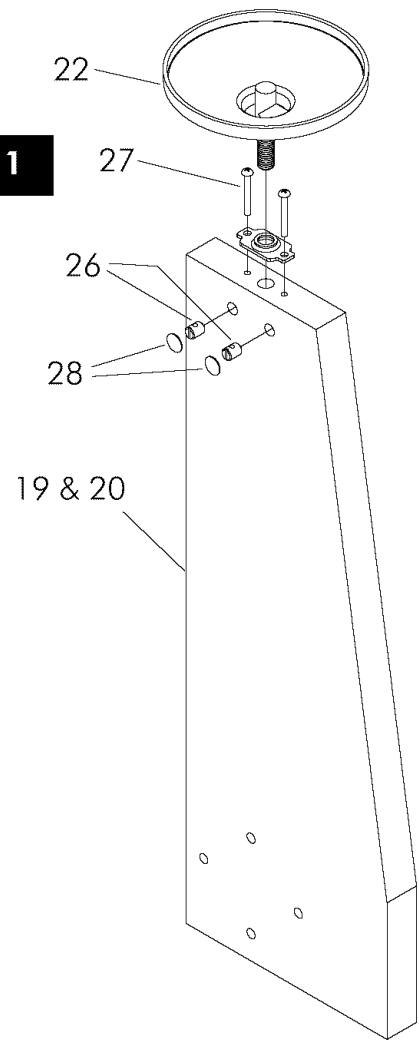
- Hammer (Claw Type)
- Needle Nose Pliers
- Phillips Screwdriver
- Drill
- 1/8" Drill Bit
- Putty Knife
- Tape Measure
- Sandpaper (80 grit)
- Sanding Block
- Awl or 8d Nail
- Scissors or Sharp Knife
- Hammer (Small Ball Peen Type)
- Carpenters Level or 36" Straight Edge
- 7/16" Open End Wrench
- 1/2" Open End Wrench
- Ratchet with 3/8", 7/16", and 1/2" sockets

NOTE: Rails are made with cushion rubber at a height that requires standard 2 1/4" diameter balls. Your dealer has a complete line Billiard Accessories.

NOTE: This table adds weight to any floor. Be sure floor can withstand this kind of weight. If floor sags, table will be impossible to level.

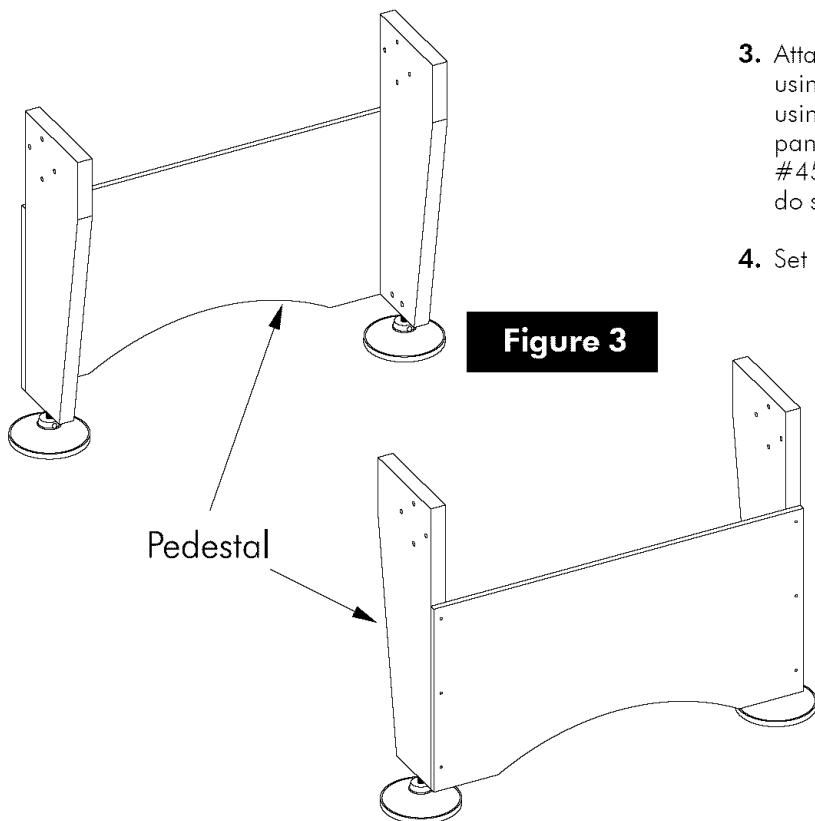
ASSEMBLE TWO LEG PEDESTALS AS FOLLOWS:

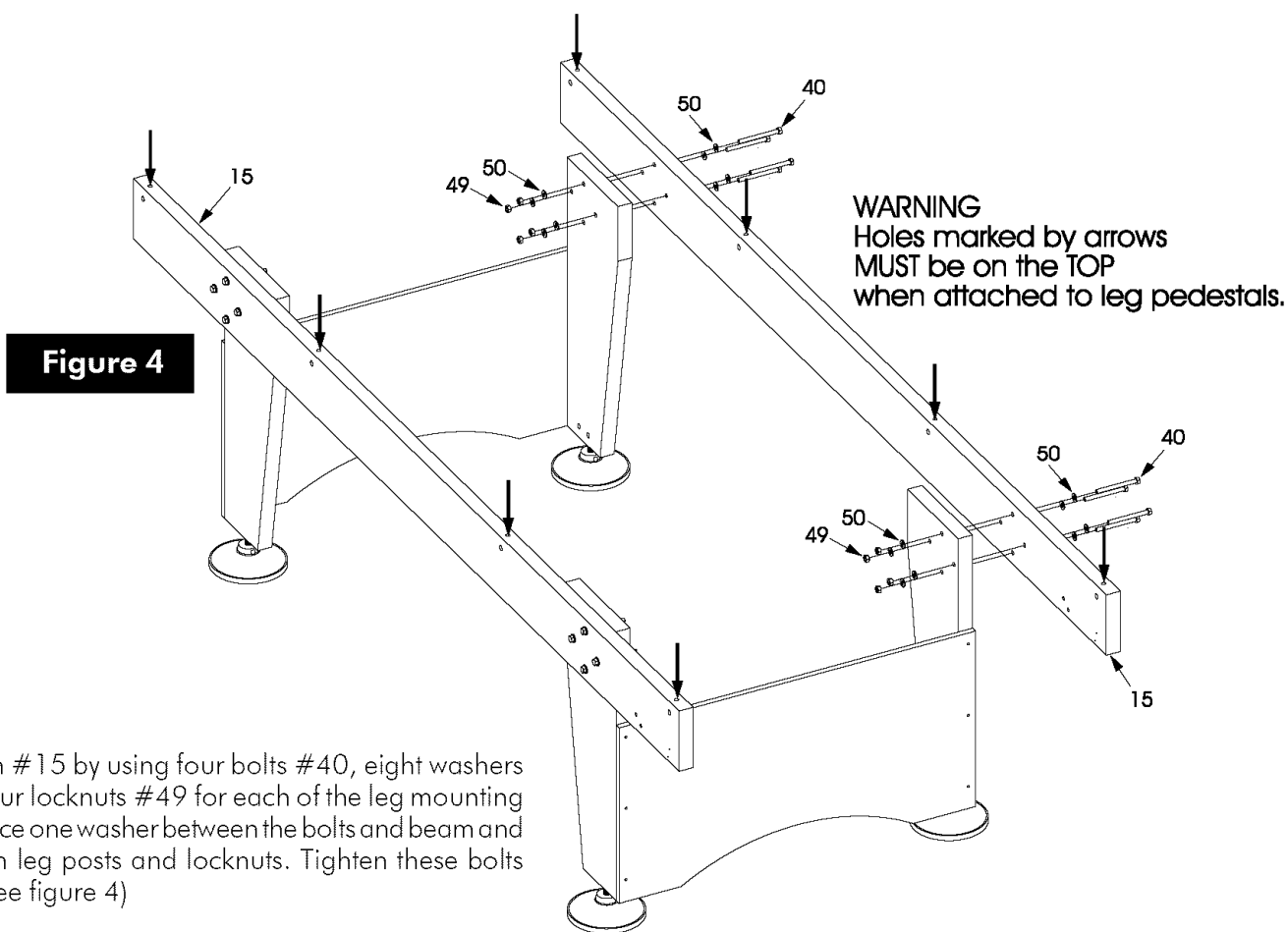
1. Begin by opening hardware kits and sort hardware. Remove the mounting plate from one leveler #22 and attach it to bottom of left leg #19 using two screws #27 and two dowel connectors #26. Cover holes with adhesive hole covers #28. See Figure 1. Screw leveler #22 back into mounting plate.
2. Repeat for other left leg #19 and two right legs #20.



3. Attach leg panels #21 to left leg posts #19 and right leg posts #20 using screws #45. Start by installing the top screws in leg panel using the pre-drilled starter hole in post #19. Square edge of leg panel up to edge of post #19 then, install the bottom two screws #45. (See Figure 2) Do not tighten screws #45 until instructed to do so.

4. Set up pedestals so that they face each other.





5. Attach beam #15 by using four bolts #40, eight washers #50, and four locknuts #49 for each of the leg mounting location. Place one washer between the bolts and beam and one between leg posts and locknuts. Tighten these bolts securely. (See figure 4)
6. Attach other beam #15 to the other side the same way. (See figure 4)

Make sure the holes in the edge of the beams #15 are on the **top of the beams** when attached.

7. Place the frame in its final location. Square the base frame assembly by measuring diagonally from the corner of one beam to the opposite corner of the other beam. (See Figure 5) Nudge the frame until both diagonals are equal (within 1/16 inch).
8. Go back and tighten all loose screws, nuts and bolts.

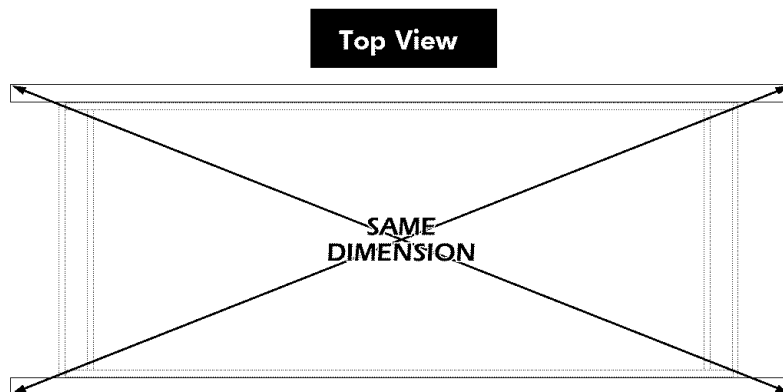


Figure 5

NOTE: Screwheads should be flush with or below the top of the slats #16 and #17.

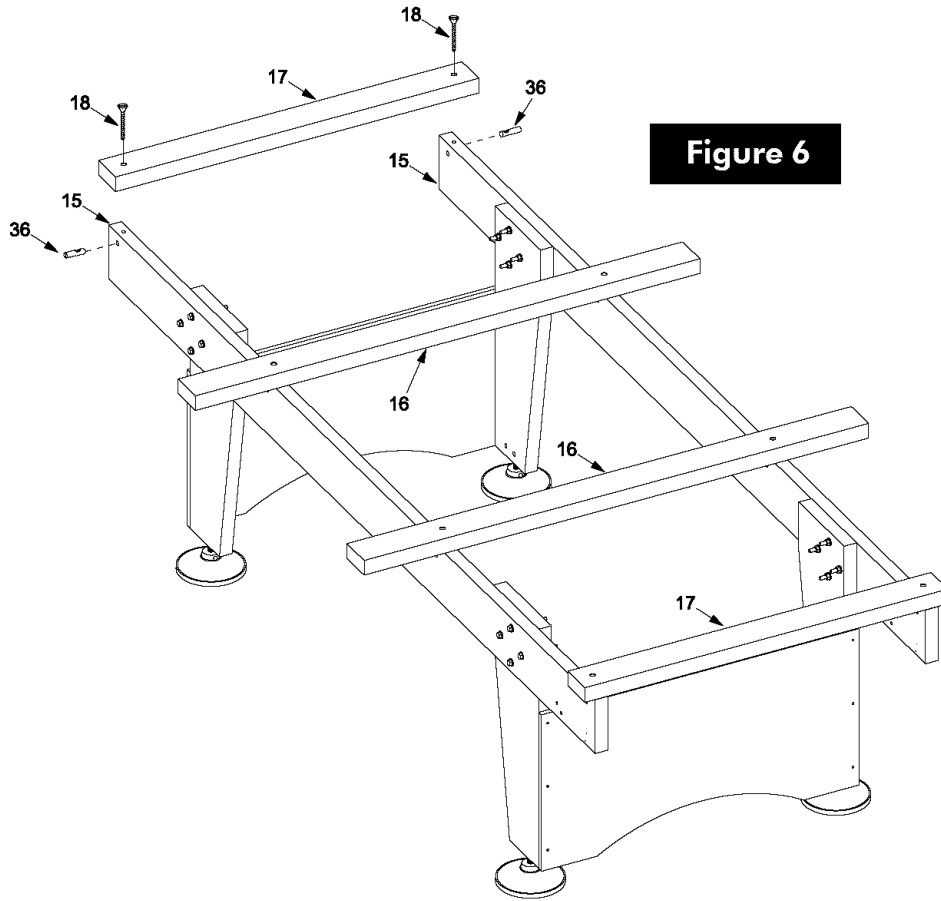
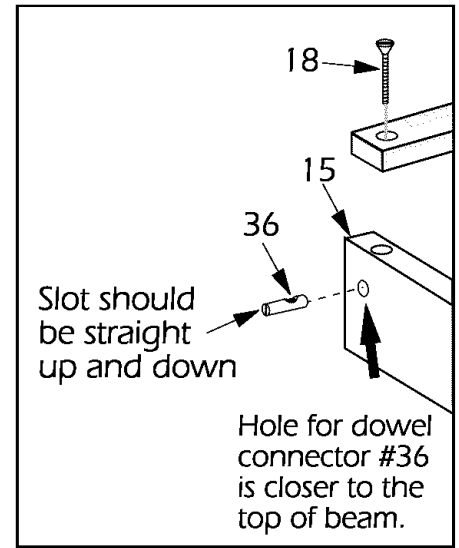


Figure 6

Detail A

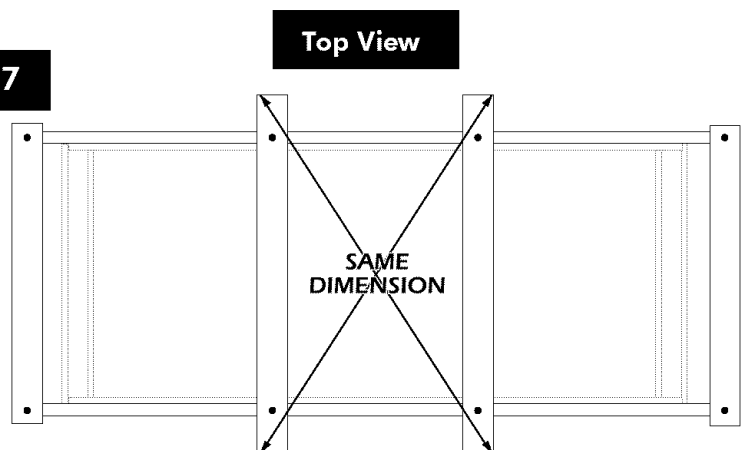


9. Place long slats #16 (50 inches long) and short slats #17 (36 inches long) across table from beam to beam as shown in figure 6. Make sure to use the two shorter slats #17 on the ends of the beams and the two longer slats #16 in the center as shown. Insert four dowel connectors #36 into the four holes in the side of each of the beams #15, these holes should be closer to the top of the beams #15. (See Detail A). Attach the slats #16, and #17 to the wooden beams #15 by placing screws #18 through the slats and into the dowel connectors #36 that are in the beams #15 and tighten, make sure **not to over tighten them.** (See figure 4 and detail A))

HINT: When holes are lined up, the slot in the dowel connector should be vertical. After holes line up, insert screws #18 into slats and down into dowel connectors. It is recommended to start the screws by hand and not forcing them with power tools until you are sure threads are engaged properly. Do not tighten completely yet.

Figure 7

10. Square up the long slats #16 by measuring diagonally, similar to the method used earlier to square up base frame. (See Figure 7) After squaring up slats, tighten all the screws holding slats #16 and #17 to the beams.



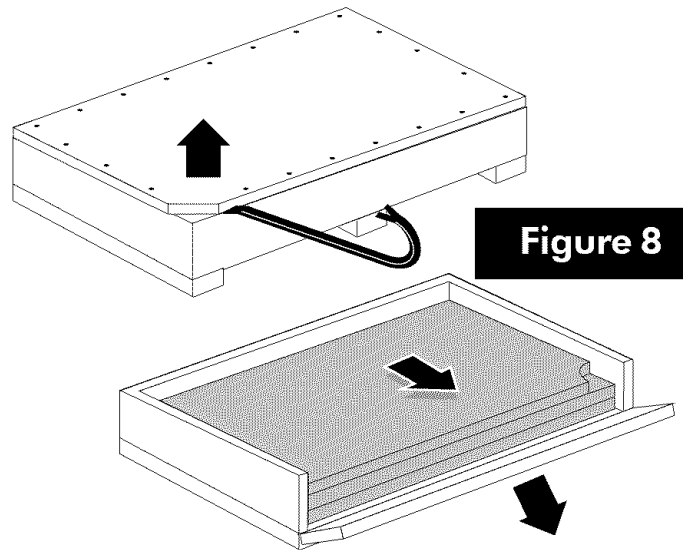
LEVELING BASE FRAME

- Using a carpenter's level, level table as well as possible. It is easier to do it now rather than after the slate is on frame. Determine the highest corner of the frame. Raise other three corners to the level of the highest corner by shimming underneath legs using playing card stock or grey leg shim stock (#47) shipped with this table. Cut this shim stock and place under legs (#20).

UNBOXING THE SLATE (Slate Tables Only)

! CAUTION

AFTER CRATE PARTS ARE REMOVED, BEND NAILS OR STAPLES OVER WITH A HAMMER AT ONCE! USE CAUTION WHEN HANDLING CRATE PARTS!



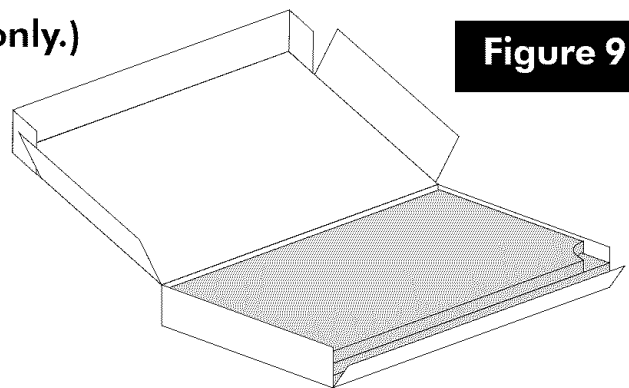
- It is now time to uncrate the slate pieces. With a claw hammer or crow bar, pry off crate top at the notched corner. (See figure 7) **BE CAREFUL NOT TO DAMAGE SLATE INSIDE! SLATE IS BRITTLE AND CAN BE EASILY DAMAGED IF HIT OR PRIED AGAINST!**

Remove the front rail of the crate. Slide the slate out the front of the crate. (Figure 7)

UNBOXING THE SLATRON (Slatron tables only.)

- It is now time to unbox the slatron pieces. **BE CAREFUL NOT TO DAMAGE SLATRON INSIDE! SLATRON CAN BE EASILY DAMAGED IF HIT OR PRIED AGAINST! (See Figure 8)**

If the edges of your Slatron has "fuzz" on it, lightly sand to remove with sandpaper provided.



IMPORTANT!

The sheets of slatron may not be completely flat when removed from the shipping carton. This is normal. Once they have been placed on the table frame and securely fastened down, they will become straight and flat.

CAUTION:

THE FOLLOWING STEP REQUIRES THE HELP OF ANOTHER ADULT!

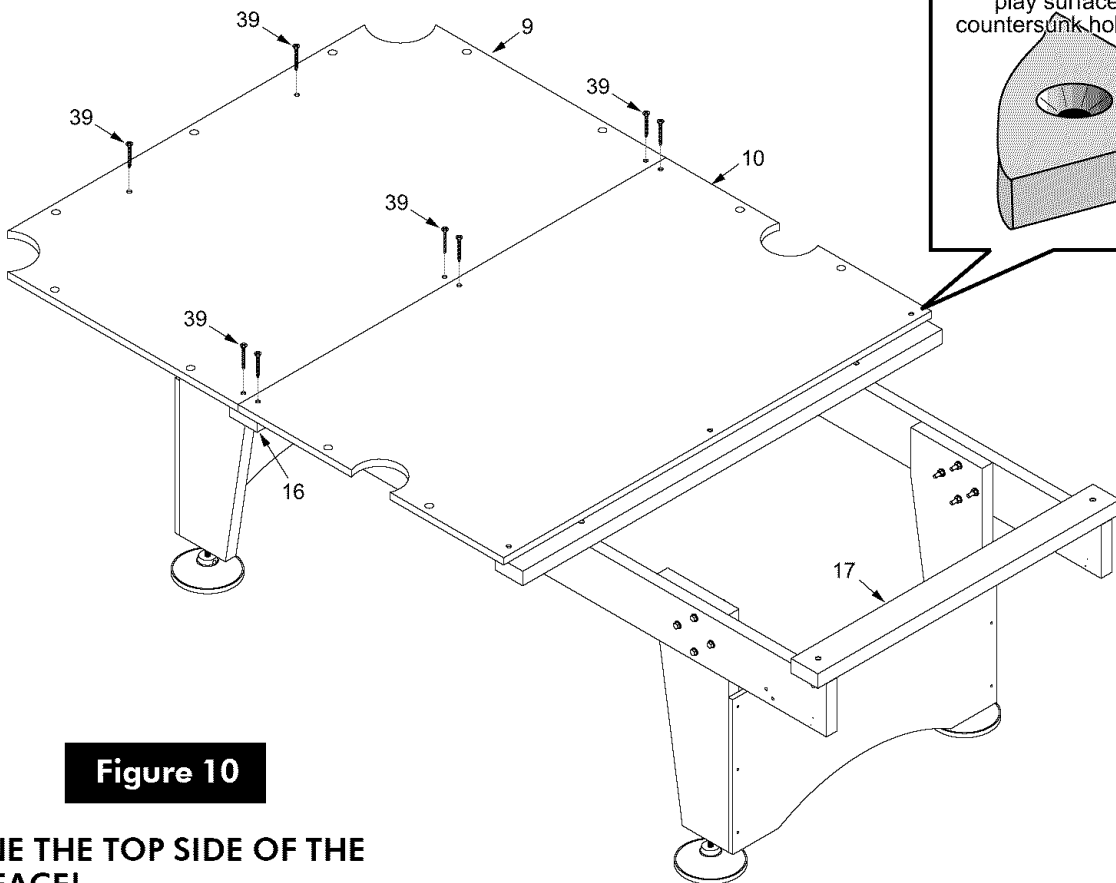


Figure 10

DETERMINE THE TOP SIDE OF THE PLAY SURFACE!

IMPORTANT: Be sure countersunk holes in all three table top sections #9 and #10 face up: See Figure 10.

NOTE: Slatron tables have "match" line markings like those shown above (letters A, B, C). Line up these lines when putting down the slatron sections.

- Place center section #10 on the two long slats #16. Center this piece on slats as well as you can. Center section #10 should overhang the ends of the slats by $\frac{1}{2}$ " inch. **Use a tape measure to be sure.**
- Put a pencil (or punch) into each countersunk hole in center section #10 and mark slats below. Remove center section #10 and drill pilot holes in slats using a $\frac{1}{8}$ " drill bit. **Clean tops of slats completely of dust and wood chips. Any dirt and debris can cause table top sections to be uneven.**
- Place center section #10 back on slats and secure it to long slats #16 with six screws #39. Dry soap on screw threads will make this job easier. **CAUTION:** When driving screws through slatron sections, hold slatron down tight against the slats so they don't ride up on the screws. **NOTE: Be sure there are no gaps between center section #10 and slats. If gaps exist, tighten screws more. However do not tighten screws so much that center section begins to crush or crack.**

- Place end sections #9 onto slats. Be sure they are square, in line and butted up tight against center slate #10.
- Mark slats with a pencil through countersunk holes in end sections #9. Remove end sections and drill pilot holes with a $\frac{1}{8}$ " drill bit. **Clean tops of slats completely of dust and wood chips. Any dirt and debris will prevent end sections from aligning properly.**
- Place end sections #9 back on slats and secure using screws #39 (five screws per end section). **NOTE: Be sure there are no gaps between end sections #9 and slats. Run your finger across the two seams between center section #10 and end sections #9 to check for any uneven areas. Sections should be even.**

You should not need shims to even up the table top sections #9 and #10, so if the sections do not align, first try loosening screws and brush out underneath to remove chips etc.. Then check under table to make sure there are no gaps between the table top sections and the slats. If gaps exist, tighten screws more. However, do not tighten screws so much that the sections begin to crush or crack. Top edges of seams must be precisely level and even with one another. If you need to use shims, read the shimming instructions on the following page.

SHIMMING INSTRUCTIONS

General Rules

- Accomplish the leveling of slate with as few shims as possible.
- Slate is brittle. Do not tap with a hammer or tighten screws unreasonable tight. You will not be able to compress the slate. You must shim up the slate to level. Shims #38 are meant only to raise the low places at the seams and ends. Very short and low places should be grouted. Do not assume the floor is level. Most leveling can be accomplished by working with the frame.
- If power tools are used, be sure only enough torque is used to do the job.
- Seams can best be checked by passing your finger over the seam joint and feeling if it is flush.
- All screws must be tightened after shimming.
- No two sets of slate are exactly alike. Some sets require more, or less, shimming than others.

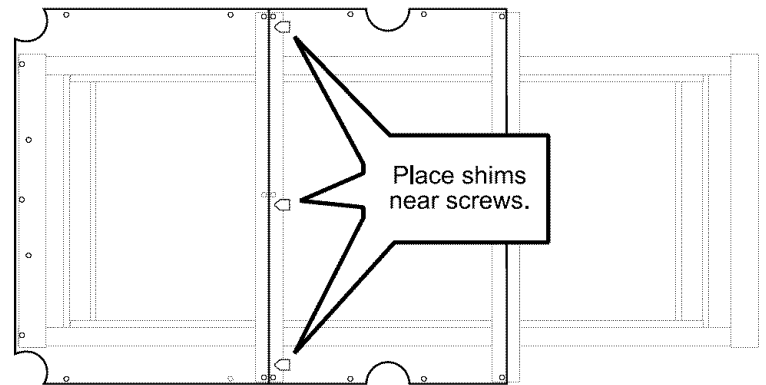
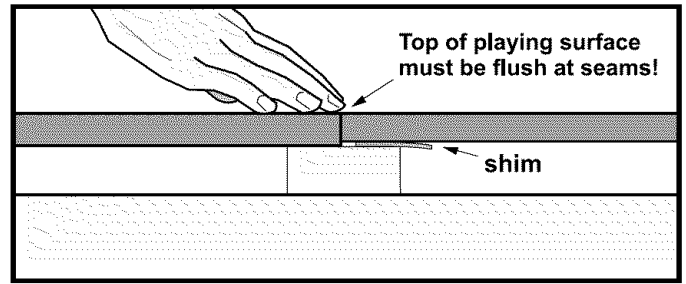


Figure 11

20. STEP BY STEP SHIMMING PROCEDURE

- Be sure table is set in its final location.
- Table must be as level as possible before shimming. Large differences in levelness must be corrected by raising or lowering frame with shim stock.
DO NOT ASSUME FLOOR IS LEVEL!
- Tighten down all slate mounting screws.
- Check with a carpenter's level to determine where slate is low on ends, and use finger tips to locate uneven spots at the seams. Loosen screws at these points and see if slate comes up to flush. If so, detach individual shims #38 from the sheet shipped with this table and place under these areas. **Place shims next to screws.** (See Figure 11)
- Lay a straight edge across seams to be sure slate pieces are flat **in relation to each other.**

- After top surface of slate is flat and level, all screws must be snugged down in tight position. **DO NOT OVERTIGHTEN SCREWS! SLATE IS BRITTLE!** Check these screws before beginning grouting.

21. GROUTING INSTRUCTIONS

- Clean top of slate with a damp cloth. **DO NOT USE TOO MUCH WATER!**
- Prepare Plaster of Paris, furnished with this table. Add water sparingly. Do not mix all the powder at first; save some in case you need to thicken your initial mixture. To mix: Empty 1/3 to 1/2 of grout into container, slowly add **drops** of water while stirring. Grout should be a thick paste when mixed that will not drip off putty knife. If you do get grout to thin, slowly add more powder.
- Using a putty knife, fill both seams and the four countersunk holes in the center playfield area. (Only the four countersunk holes in the center of the table need to be filled since the other holes will be covered by the rails.) Do not use more plaster than you need.
- Let plaster dry. Read the rest of this manual while you wait!
- Using a medium grit sandpaper and a sanding block, sand the plastered areas smooth and flat. **RECHECK THESE AREAS TO MAKE SURE THEY ARE FLAT.** Re-plaster if you still find low places at countersunk holes or seams.

! WARNING:

DO NOT SMOKE WHILE WORKING WITH CONTACT CEMENT! READ LABEL ON CEMENT CONTAINER CAREFULLY!

Applying the cloth

22. Make sure slate/slatron is dry and free of dust.
NOTE: Before spraying adhesive, cut a portion of the shipping carton to use as a shield to prevent cement overspray.
23. Place cloth over slate/slatron with equal overhang on all sides.
NOTE: Cloth may seem small but it will stretch a great deal.
24. Fold cloth away from end to expose slate/slatron for your first glue application. Apply contact cement to top surface in a band 4 inches wide on this end. (See figure 12) Coat edge also. Spray cement smoothly and evenly. Allow cement to become tacky, wait at least one minute.
25. Fold cloth back over the table. With firm even pressure, press cloth onto the area that has been coated with cement. Smooth cloth down and over edges.
26. Fold cloth away from side to expose slate/slatron for your second glue application. (See figure 13). Apply cement to the side in the same manner as your first glue application. Allow cement to become tacky, wait at least one minute.
27. Fold cloth back over the table. With firm even pressure, press cloth onto the area that has been coated with cement. Smooth cloth down and over edges.
28. Fold cloth away from other side to expose slate/slatron for your third glue application. (See figure 14). Apply cement to this side in the same manner. Allow cement to become tacky, wait at least one minute.
29. Stretch the cloth across the width and over the edge of the table. **STRETCH HARD ENOUGH TO TAKE OUT WRINKLES, BUT NOT SO HARD THAT THE CLOTH SLIPS.**
30. Fold cloth away from other end to expose slate/slatron for your fourth glue application. (See figure 15) Apply cement to this end in the same manner. Allow cement to become tacky, wait at least one minute.
31. Make a final stretch along the length of and over the edge of the table, stretch hard enough to work out all wrinkles. (See figure 15) If cloth is not smooth, lift and re-apply. **NOTE:** Rubbing fingers lightly across cloth should not make cloth move.
32. Locate center of pocket opening. (See Detail A and B) Using sharp scissors, make a straight cut. Next, cut to pocket edge to form pie shapes. (See detail B) Divide these pie shapes in half. As you do, the pie shapes begin to relax to allow for placement. You may need to make additional cuts.
33. Spray adhesive on the underneath side of the slate around pocket face to adhere the cloth. Make sure not to get overspray of glue on table. Allow cement to become tacky, wait at least one minute. Stretch the pie shapes down and under the pocket opening. Press the cloth against the cement on the underside of the slate/slatron. Be sure entire pie shape is fully attached to underneath side of table.

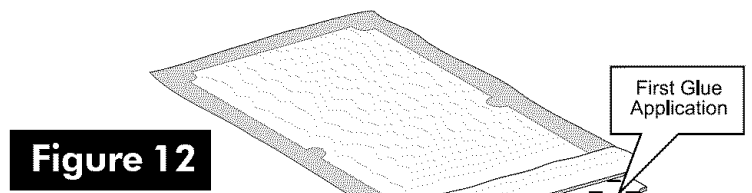


Figure 12

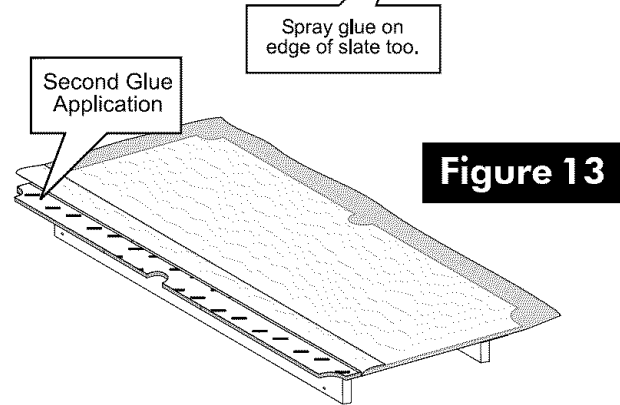


Figure 13

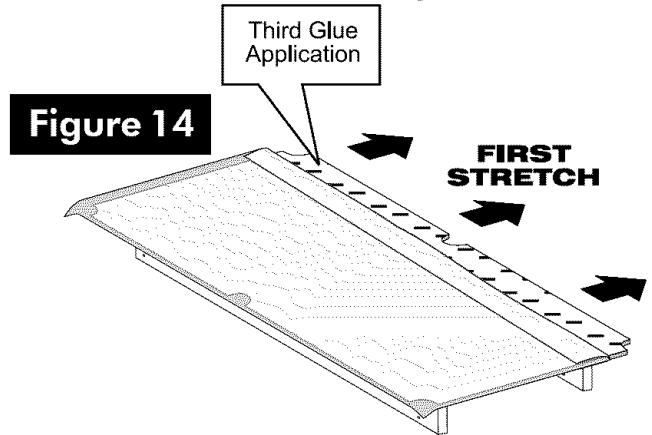


Figure 14

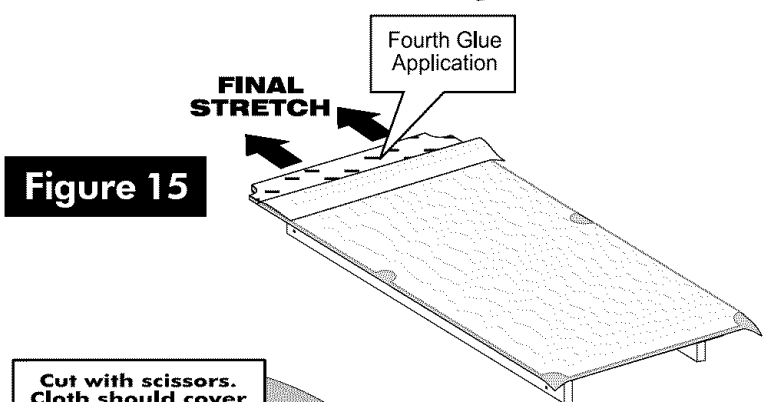


Figure 15

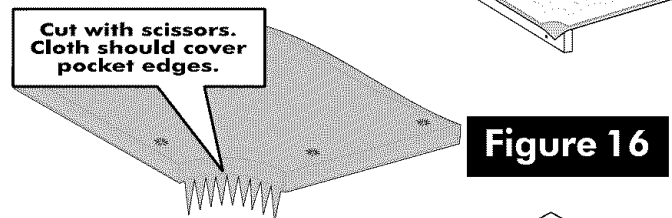
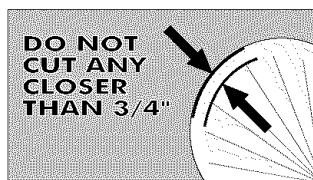
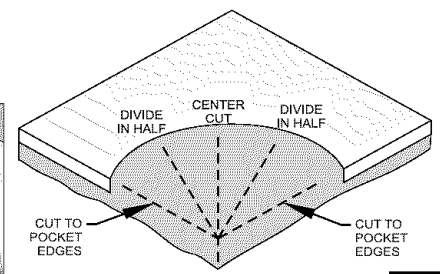


Figure 16



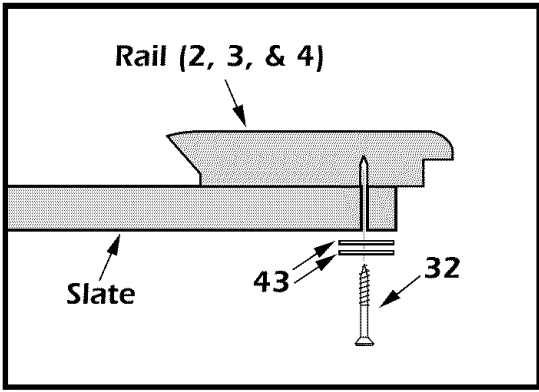
Detail A



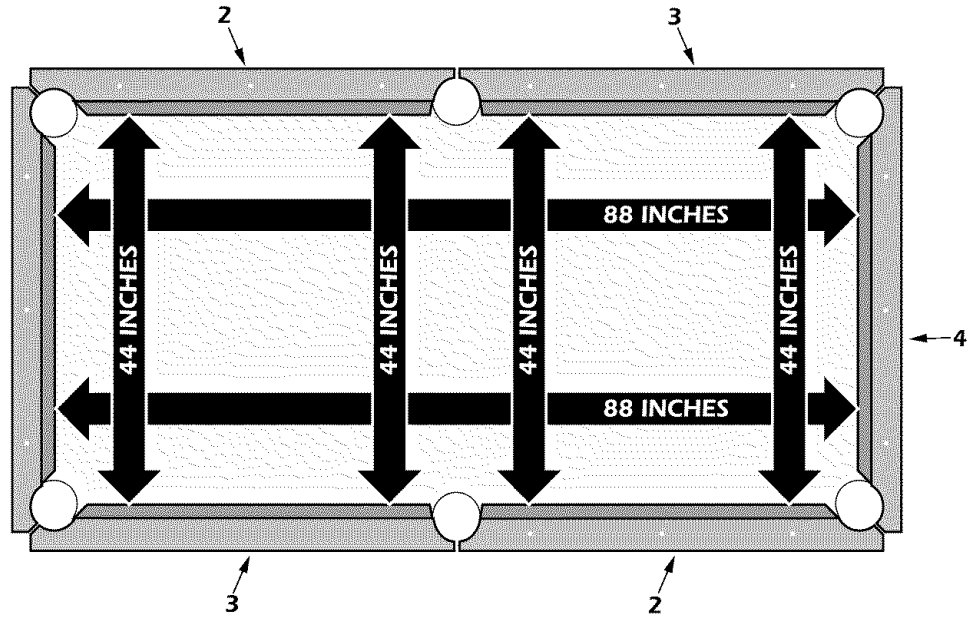
Detail B

Figure 17

This view is shown without side and corner caps installed to help identify the rails. Side caps must be installed before the rails are attached to slate. Corner caps will be installed after area is established.



Look along the front edge of the side rails to be sure they align. Side rails must be in a straight line with each other.



34. Attach side caps #7 to one side rail (either #2 or #3) as shown in figure 18. Use two nails #41 per side cap #7. Hold nails with needle nose pliers and tap them into plastic with a small hammer.

35. Attach side rails #2 and #3 to both sides of the slate using one screw #32 and two washers #43 at each mounting hole. Rails have pre-drilled starter holes on their underneath side. (See figure 17)

Do not tighten screws tight yet. Follow the same procedure to attach end rails #4. **NOTE:** to help drive screws into rails, put a little dry soap on screws threads.

36. With all six rails loosely mounted in place, establish the playfield area by measuring from the nose of the cushion of any rail to the nose of the rail directly opposite. Dimensions should be 44 inches from side rail to side rail and 88 inches from end rail to end rail. (See figure 17) Measure each rail near pocket openings (on both ends). Also look down the nose of the rails to assure they are in line. **NOW TIGHTEN RAIL MOUNTING SCREWS #32. DO NOT OVERTIGHTEN SCREWS, CAUSING THEM TO PULL THROUGH WASHER #43.**

37. Attach corner caps #6 to corner of table. (See figure 19) Use two screws #25 per corner cap .

Figure 18

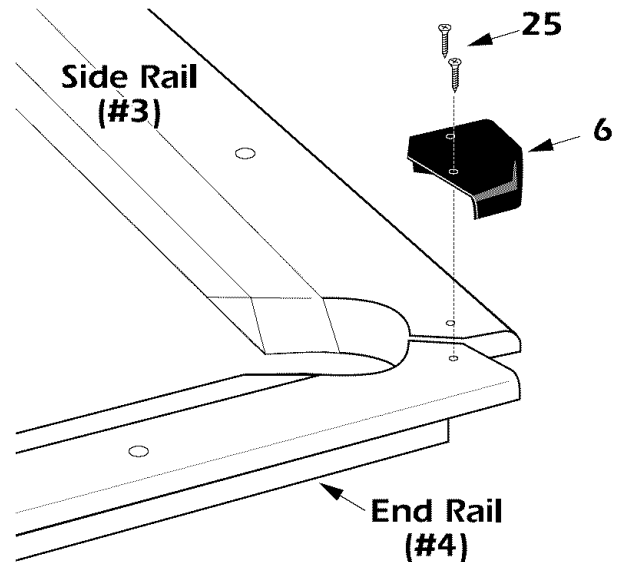
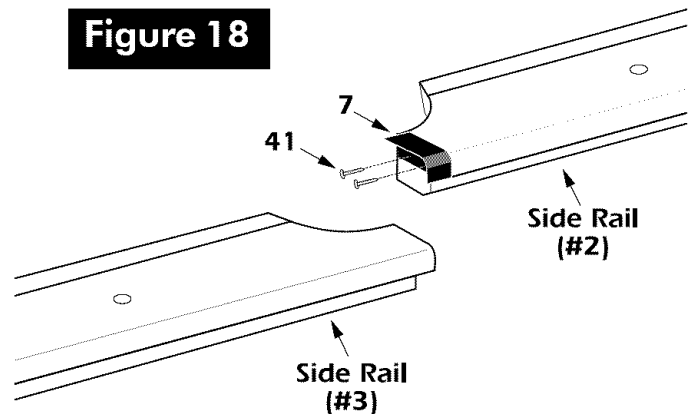
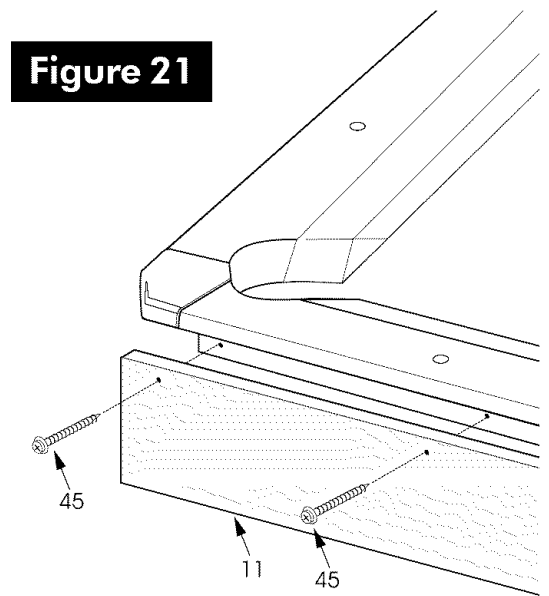
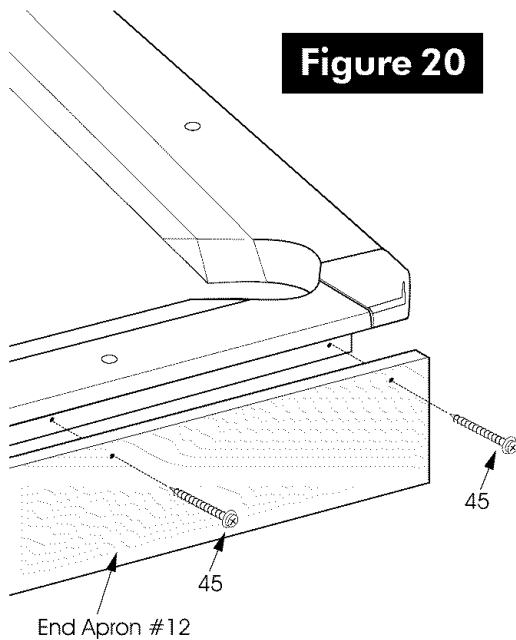


Figure 19

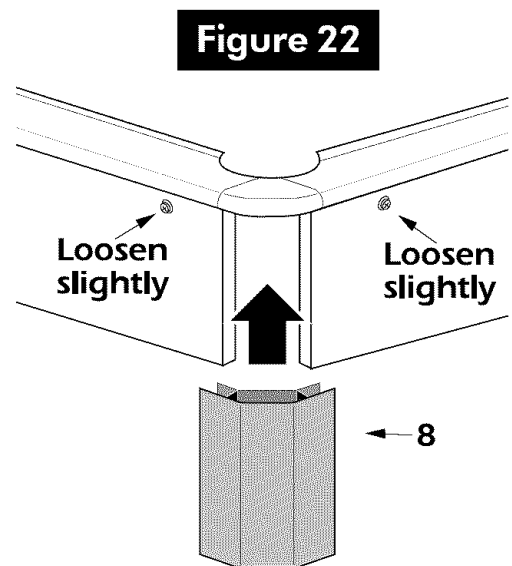
38. Attach end aprons #12 to recessed area on the underneath side of the end rails (#4). **CENTER THE APRONS WITHIN THE LENGTH OF THE RAILS.** Hold apron in place and spot the location of the mounting holes on the rails. Punch pilot holes in rail using an awl (or 8d nail) and hammer. This will require the help of another person. Secure aprons to rails with screws #45. (See Figure 20)

NOTE: To help drive screws into rails, put a little dry soap on threads of screw.

39. Attach side aprons #11 to side rails the same way as described in the previous step. (See Figure 21)



40. Slightly loosen the screws holding the end of the aprons to the rails. (See Figure 22) Slide corner posts #8 onto the ends of the aprons as shown in figure 22 and tighten apron mounting screws tight again. This clamps the corner posts tightly in place between the aprons and the rails.



41. Before attaching the drop pockets to the rails you will need to trim two of them to fit into the side pockets. (See figure 25)

Insert the corner and side drop pockets (the two that you have trimmed) into the drop pocket openings on the table. **THE LIP ON THE POCKETS GO INTO THE RECESSED AREA ALONG THE INSIDE RIM OF THE CORNER AND SIDE CAPS.** Trim drop pockets if necessary to assure a snug fit.

42. Fasten drop pockets to rails using four nails #41 per pocket. Hold the nails with needle nose pliers and tap them into plastic with a small hammer. Place nails about 1/2 inch below the top of the pocket (so the balls will not be able to hit the nails and become chipped). Once nails have started into plastic, hammer them completely into the rails until heads are flush with plastic. (See Figure 23)

43. Place playfield spots #1 on table as shown in figure 24.

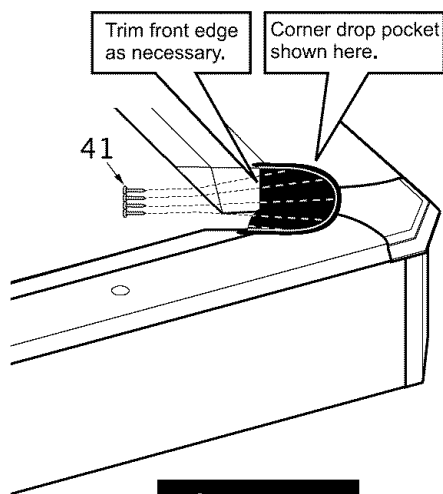


Figure 23

Figure 24

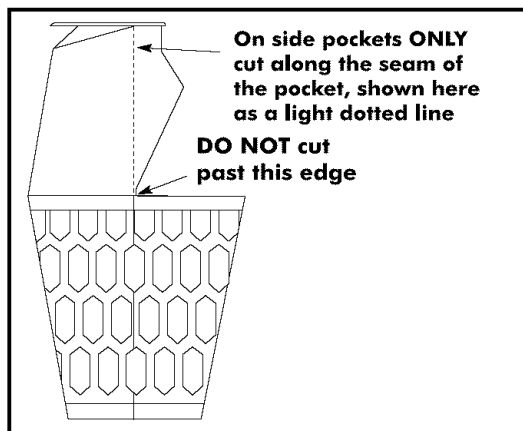
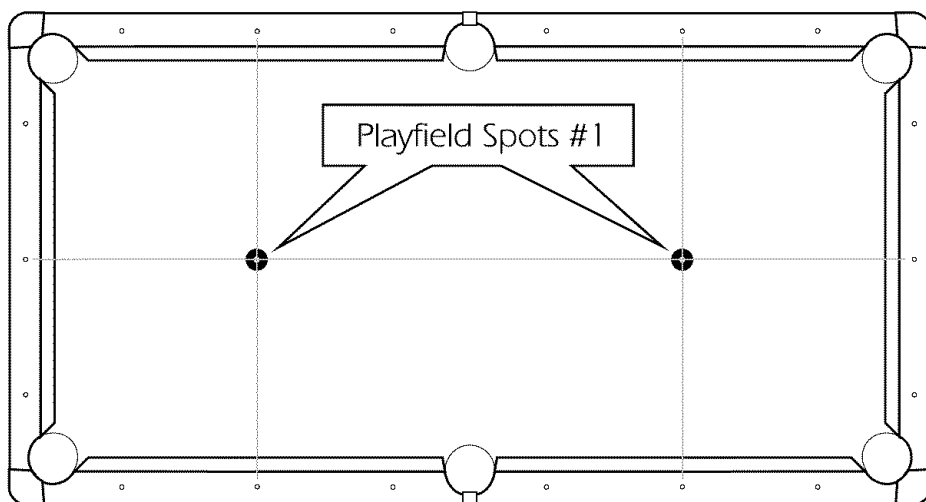


Figure 25

ONE YEAR LIMITED WARRANTY

This consumer warranty extends to the original consumer purchase of any ESCALADE® SPORTS Product (hereinafter referred as the "Product").

WARRANTY DURATION: This Product is warranted to the original consumer purchase of a period of one (1) year from the original purchase.

WARRANTY COVERAGE: ESCALADE SPORTS warrants to the original Consumer Purchaser that any Product of its manufacture is free from defects in material and workmanship when used for the intended purpose under normal use and conditions. THIS WARRANTY IS VOID IF THE PRODUCT HAS BEEN DAMAGED BY ACCIDENT, UNREASONABLE USE, NEGLIGENCE, IMPROPER SERVICE, FAILURE TO FOLLOW INSTRUCTIONS PROVIDED WITH THE PRODUCT OR OTHER CAUSES NOT ARISING OUT OF DEFECTS IN MATERIAL AND WORKMANSHIP.

WARRANTY PERFORMANCE: During the above one (1) year warranty period, ESCALADE SPORTS shall repair or replace with a comparable model, and/or Product, or component thereof, for any product which may prove defective under normal use and proper care, and which our examination shall disclose to our satisfaction to be thus defective, please contact our Warranty Dept.

1-800-426-1421 / Warranty Dept.

Or Write us at:

Escalade® Sports, Inc. - P.O. Box 889, Evansville, IN 47706 - Attn: Warranty Dept.

Or E-mail us at:

billiardtables@escaladesports.com

Other than shipping requirements no charge will be made for such repair or replacement of in-warranty Products. ESCALADE® SPORTS strongly recommends that the Product is insured for value prior to mailing.

WARRANTY ON SLATE/SLATRON™ SURFACE

Manufacturer warrants for seven (7) years from the date of purchase for the Slatron™ and ten (10) years for slate, Escalade Sports will repair the playing surface of this table, free of charge, if it fails to remain flat, within a tolerance of + or - 30/1000 of an inch, measuring from any flat plane within the playing surface. NOTE: Cloth not included in warranty. Should this product become defective due to material or workmanship within period, contact the Customer Service Department. This warranty is not transferable and does not cover normal wear and tear, or damage caused by improper handling, installation or use of this product. This warranty is also void if product is in any way abused, damaged, or modified from its original state, or if used for other than indoor residential use. This warranty gives the consumer specific legal rights, and may have other rights which may vary from state to state.

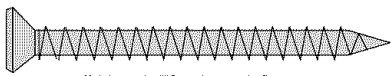
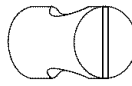

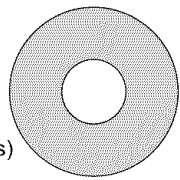

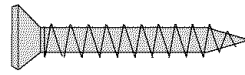
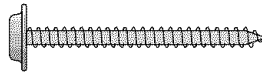
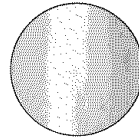
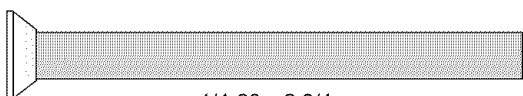

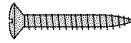
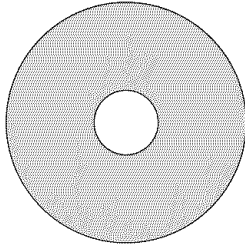
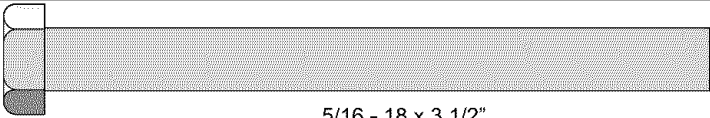
WARRANTY DISCLAIMERS: ANY IMPLIED WARRANTIES ARISING OUT OF THIS SALE, INCLUDING BUT NOT LIMITED TO THE IMPLIED WARRANTIES OF MERCHANTABILITY AND FITNESS FOR A PARTICULAR PURPOSE, ARE LIMITED IN DURATION TO THE ABOVE WARRANTY PERIOD. ESCALADE® SPORTS SHALL NOT BE LIABLE FOR LOSS OF USE OF THE PRODUCT OR OTHER CONSEQUENTIAL OR INCIDENTAL COSTS, EXPENSES OR DAMAGES INCURRED BY THE CONSUMER OF ANY OTHER USE.

Some states do not allow the exclusion or limitation of implied warranties or consequential or incidental damages, so the above limitations or exclusions may not apply to you.

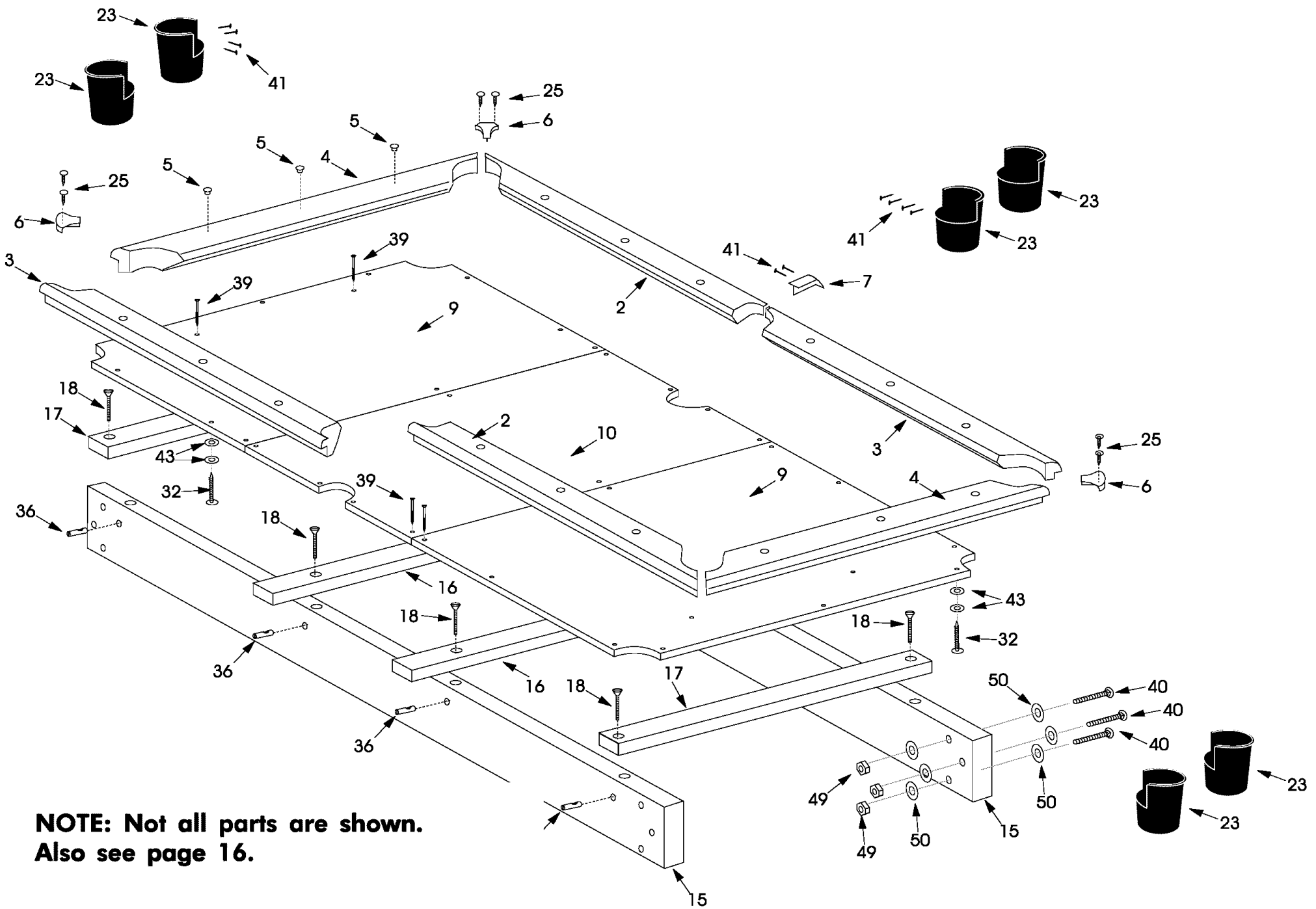
LEGAL REMEDIES: This warranty gives you specific legal rights and you may also have other rights which may vary from state to state.

REPLACEMENT PARTS LIST

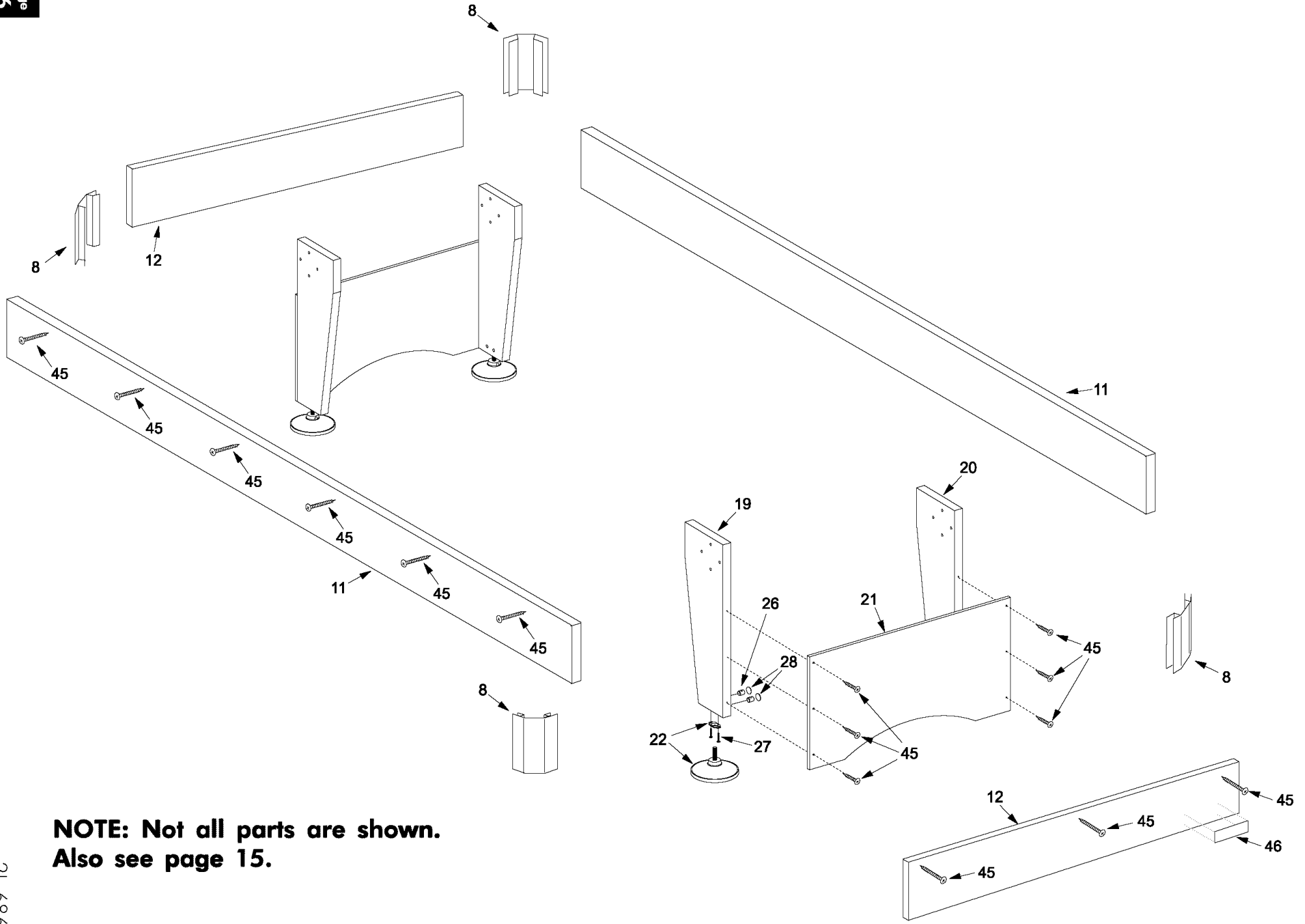
KEY#	PART#	DESCRPTION	QTY	KEY#	PART#	DESCRPTION	QTY
1	822-3	PLAYFIELD SPOTS	2	21	2A-7053-07	LEG PANEL	2
2	2A-4049-57	TOP RAIL LEFT SIDE	2	22	4A-6957-00	LEVELER (SET OF 4)	1
3	2A-4050-57	TOP RAIL RIGHT SIDE	2	23	3M-6194-00	DROP POCKET	6
4	2A-4051-57	TOP RAIL END	2	25	801-32	#4X 5/8" SCREW	8
5	5A-6827-00	SIGHT PLUG KIT	1	26	7B-6314-00	#10-24 DOWEL CONNECTR	8
6	3M-6522-00	CORNER CAP	4	27	1B-6139-00	#10-24X1-1/2SLT RDHD	8
7	3M-6523-00	SIDE CAP	2	28	4L-7717-01	HOLE COVER (SET OF 9)	1
8	3M-6546-00	CORNER POST	4	31	5A-6670-50	PLAYFIELD CLOTH	1
9	809-551	SLATE PLAYFIELD END	2	32	801-77B	#10 X 2" SCREW	18
	2W-6029-00	SLATRON PLAYFIELD END	2	36	7B-6129-00	1/4" DOWEL CONNECT	8
10	809-552	SLATE PLAYFIELD CENTER	1	37	1X-6105-00	ADHESIVE SPRAY	1
	2W-6030-00	SLATRON PLAYFIELD CENTER	1	38	818-23	SHIM SHEET	1
11	2A-6508-07	SIDE APRON	2	39	1B-6163-00	#10X1-1/4" SCREW	16
12	2A-6509-07	END APRON	2	40	1B-6164-00	5/16-18X3-1/2" BOLT	16
13	3A-6007-00	ASSEMBLY VIDEO	1	41	801-54B	3/4X16GA NAIL	30
14	1Q-6002-00	80 GRIT SANDPAPER	1	43	801-27	SPECIAL WASHER	36
15	2W-6142-00	BEAMS	2	44	5A-6869-00	GROUT PACKAGE	1
16	2W-6140-00	LONG SLAT	2	45	801-58	#8X1-1/4" SCREW	30
17	2W-6141-00	SHORT SLAT	2	46	4L-7608-00	MIZERAK NAMEPLATE	1
18	1B-6115-00	1/4-20X2-3/4" SCREW	8	47	6P-6655-00	LEG SHIM STOCK	1
19	2A-7048-07	LEFT LEG POST	2	48	2L-6860-00	THIS OWNERS MANUAL	1
20	2A-7049-07	RIGHT LEG POST	2	49	2B-6009-01	5/16"-18 LOCKNUT	16
				50	2B-6024-00	5/16" STD WASHER	32

<p>32</p>  <p>#10 x 2 Flat Head Screw (18 pieces)</p>	<p>26</p>  <p>#10-24 Dowel Connector (8 pieces)</p>	<p>27</p>  <p>#10-24 x 1 1/2 Round Head Screw (8 pieces)</p>	<p>50</p>  <p>5/16 Washer (32 pieces)</p>
<p>36</p>  <p>1/4 - 20 Dowel Connector (8 pieces)</p>	<p>39</p>  <p>#10 x 1 1/4 Flat Head Screw (16 pieces)</p>	<p>45</p>  <p>#8 x 1 1/4" Washer Head Screw (30 pieces)</p>	<p>28</p>  <p>Hole Cover (8 pieces)</p>
<p>18</p>  <p>1/4-20 x 2 3/4 Flat Head Screw (8 pieces)</p>	<p>41</p>  <p>3/4 Barbed Nail (30 pieces)</p>	<p>25</p>  <p>#4 x 5/8 Oval Head Screw (8 pieces)</p>	<p>43</p>  <p>Special Washer (36 pieces)</p>
<p>40</p>  <p>5/16 - 18 x 3 1/2" Hex Head Bolt (16 pieces)</p>			

HARDWARE IDENTIFIER



**NOTE: Not all parts are shown.
Also see page 16.**



**NOTE: Not all parts are shown.
Also see page 15.**