



We strive to ensure that our products are of the highest quality and free of manufacturing defects or missing parts. However, if you have any problems with your new product, **DO NOT RETURN IT TO THE STORE,**

please contact us toll free @:

1-866-556-2758

FAX: 1-866-873-3530

tablehockey@escaladesports.com

Please have your model number when inquiring about parts.

Or write to:

Escalade Sports

Customer Service Department

P.O. Box 889

Evansville IN 47706

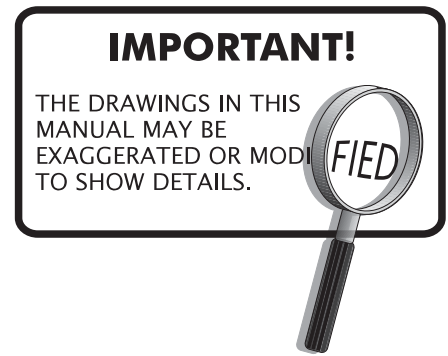
Please visit our Web site at:

www.escaladesports.com

When contacting Escalade Sports please provide your model number, serial number (if applicable), and part number if requesting a replacement part. These numbers are located on the product, packaging, and in this owners manual.

Your Model Number **G03431**

IMPORTANT! READ THIS MANUAL ALL THE WAY THROUGH BEFORE BEGINNING TO PUT YOUR GAME TABLE TOGETHER! THEN READ EACH STEP BEFORE STARTING THAT STEP.



TWO ADULTS ARE REQUIRED TO ASSEMBLE THIS GAME TABLE

Philips Screwdriver
Adjustable Wrench or Socket Set
Furniture Polish and Cloth

An electric screwdriver is helpful in assembly. However, please use extreme caution with an electric screwdriver because you could overtighten the hardware and strip the screws.

IMPORTANT!

Make sure you understand the following tips before you begin to assemble your soccer table.

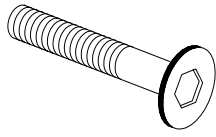
1. When installing parts that have more than one bolt, start ALL the bolts in that part by hand before tightening anything.
2. Some drawings or images in this manual may not look exactly like your product.
3. You can apply spray furniture polish to a cloth and then wipe down the playfield to make the pucks slide easier on the table.
4. Only plug the table motor into a suitable 120v AC household outlet.
5. This product is intended for INDOOR use only.

WARNING:

READ AND FOLLOW ALL ASSEMBLY, OPERATION, AND SAFETY INSTRUCTIONS CAREFULLY. AT LEAST TWO ADULTS ARE NEEDED TO PUT THIS GAME TABLE TOGETHER!

PARTS IDENTIFIER

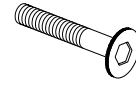
(Not to Scale)



H1 - 3/8 x 1-1/2 Bolt



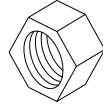
H2 - 3/8 Flat Washer



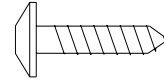
H3 - 1/4 x 1-3/8 Bolt



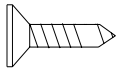
H4 - 1/4 Flat Washer



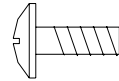
H5 1/4 Lock Nut



H6 - 1" Round Head Screw



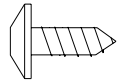
H7 - 1/2 Flat Head Screw



H8 - 3/16 x 3/4 Bolt



H9 - 3/16 Flat Washer



H10 - 1/2 Round Head Screw

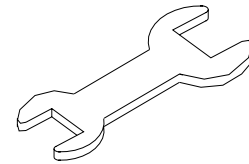
ACCESSORIES



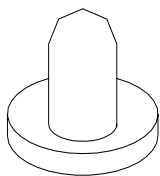
A1 - Small Allen Wrench



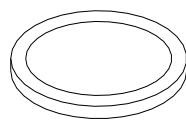
A2 - Large Allen Wrench



A3 - Open End Wrench



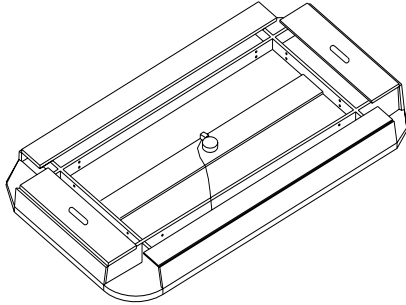
A4 - Hockey Striker



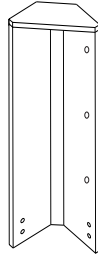
A5 - Hockey Puck

PARTS IDENTIFIER

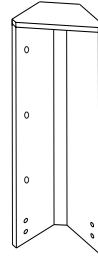
(Not to Scale)



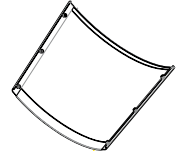
P1 - Main Cabinet



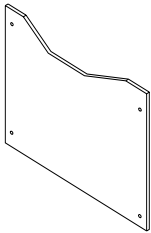
P2 - Left Leg



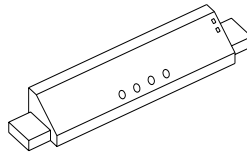
P2A - Right Leg



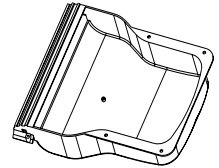
P3 - Corner



P4 - Leg Panel



P5 - Electronic Scorer



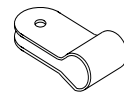
P6 - Puck Catcher



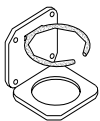
P7 - Left Support Bracket



P7A - Right Support Bracket



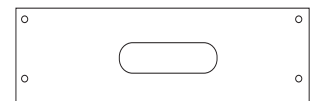
P8 - Wire Clip



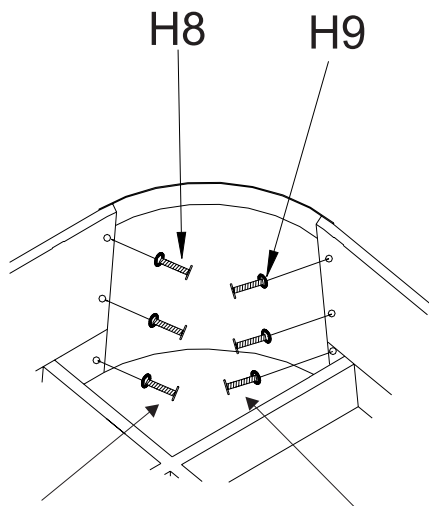
P9 - Cup Holder



P10 - Bottom Side Apron



P11 - Bottom End Apron



Start with these screws first

Figure 1

1. Find a clean, level place to begin the assembly of your hockey table. We recommend building the table on the box top to protect the parts during assembly.
2. Place the main cabinet **P1** on the ground with the playing side down.
3. With the help of another adult, place one side panel bottom and one end panel bottom on the main cabinet and attach corners **P3** using bolts **H8** and washers **H9**. Start with the bolts closest to the top rail as shown in **Figure 1**.

REPEAT THIS STEP FOR ALL FOUR CORNERS.

4. Attach the eight apron supports **P7** and **P7A** between the table frame and the apron using screws **H7** as shown in **Figure 2**. There will be one **P7** and one **P7A** on each apron.

5. Attach the top half of the pre-installed hinges to the aprons using screws **H7**.

Apron corners not shown for clarity

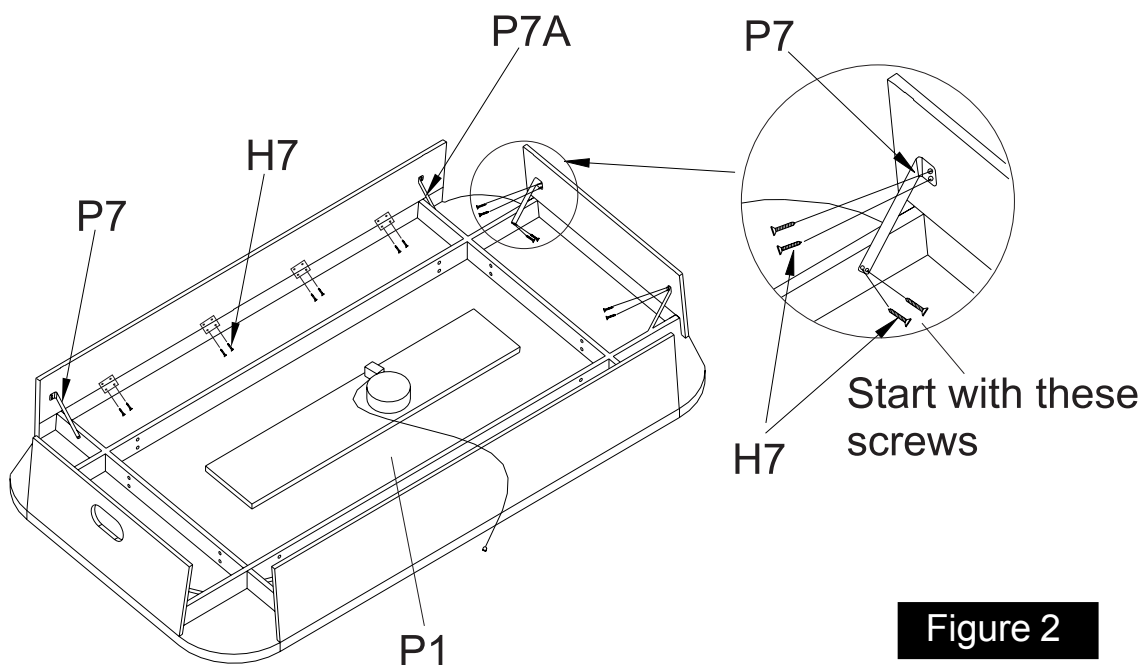


Figure 2

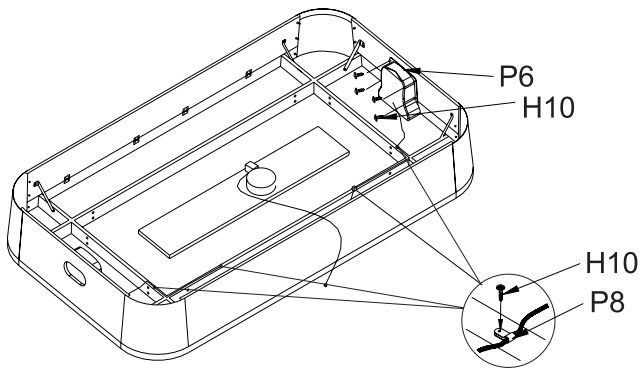


Figure 3

6. Center the puck catchers **P6** over the openings in each end panel and attach using screws **H10** as shown in **Figure 3**.
7. Attach the wire clips **P8** to the bottom of the table frame using screws **H10**. Make sure the wire does NOT interfere with the corner where the leg will be installed.

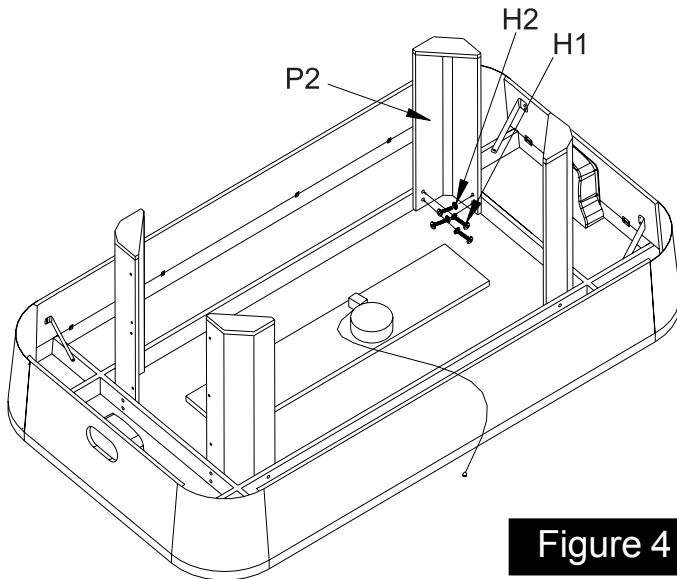


Figure 4

6. Attach the legs **P2** and **P2A** using bolts **H1** and washers **H2** as shown in **Figure 4**.

NOTE: To ease assembly start all leg bolts by hand before you tighten anything.

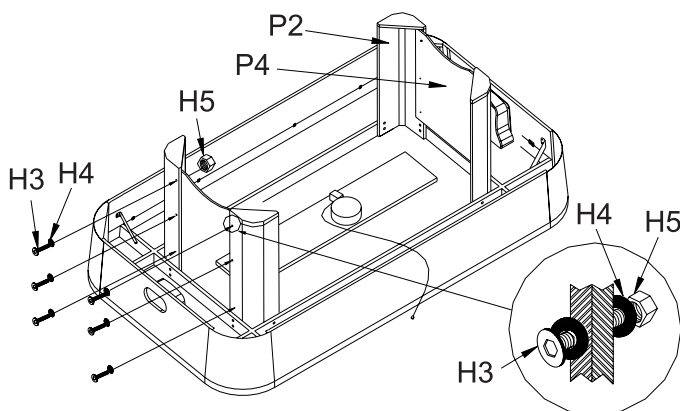


Figure 5

7. Attach the leg panels **P4** to the inside of the legs **P2** using bolts **H3** washers **H4** and nuts **H5** as shown in **Figure 5**.

WARNING:

THIS STEP REQUIRES TWO OR MORE ADULTS.

VERY CAREFULLY TURN THE TABLE OVER AND SET IT ON ITS LEGS. BE CAREFUL, THE TABLE IS VERY HEAVY.

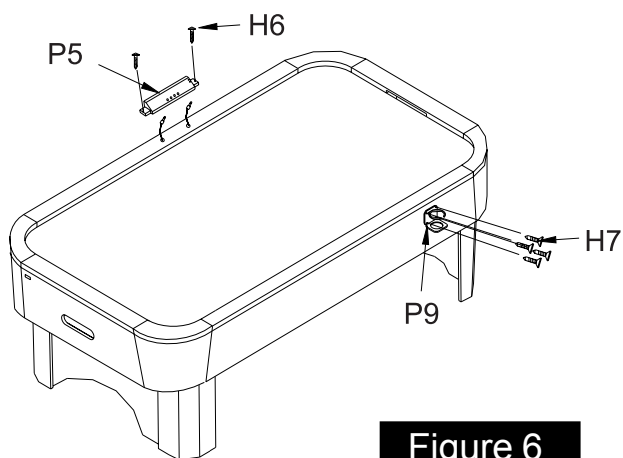


Figure 6

8. Once you have the table turned to its upright position, feed the wires from under the table through the holes in the side rail. Plug the wires into the bottom of the electronic scorer and attach the electronic scorer **P5** to the top side rail with screws **H6** as shown in **Figure 6**.
9. Attach the cup holders **P9** to the side apron using screws **H7** as shown in **Figure 6**.

OPERATION OF THE ELECTRONICS

If supplied, plug the adapter into a suitable 120 v household outlet. If no adapter is included, please install 4 AA batteries (NOT INCLUDED) according to the instructions on the back of the unit. Turn the unit on and press the reset button. Use the select button to choose your game. You can change between 15 minutes of play, 10 minutes of play, 5 minutes of play or, by points alone with no time limit. The indicator light shows which you have chosen. You also have the option of sound with low (L) or high (H) volume. You must hit the reset button to begin play or to clear a previous game. The unit will show a score when the puck passes through the goal box.

NOTE: The electronic scorer will not work properly unless attached to the table with both goal wires plugged into the bottom of the unit.

GAME RULES

The Object of the Game

To score a predetermined number of points or to score the most points in given amount of time.

To Play

Flip a coin to determine who will begin play. Play begins when the puck is placed on the playing surface. Players must hit the puck with the striker and attempt to shoot it into their opponent's goal. One point is awarded when a puck is shot into the opponent's goal.

PRODUCT PARTS LIST

Model # G03431

Part #	Description	Qty.	Part#	Description	Qty.
H1	3/8 x 1-1/2 Bolt	16	P8	Wire Clip	2
H2	3/8 Flat Washer	16	P9	Cup Holder	2
H3	1/4 x 1-1/4 Bolt	12	P10	Bottom Side Apron	2
H4	1/4 Flat Washer	24	P11	Bottom End Apron	2
H5	1/4 Lock Nut	12	A1	Small Allen Wrench	1
H6	1" Round Head Screw	2	A2	Large Allen Wrench	1
H7	1/2" Flat Head Screw	68	A3	Open End Wrench	1
H8	3/16 x 3/4 Bolt	24	A4	Striker	4
H9	3/16 Flat Washer	24	A5	Puck	4
H10	1/2" Round Head Screw	14	C1	Lower Side Apron	2
H11	Round Head Screw	8	C2	Lower End Apron	2
P1	Main Cabinet	1	C3	Apron Hinges	12
P2	Left Leg	2	C4	Electronic Sensor Set	2
P2A	Right Leg	2	C5	Blower Motor	1
P3	Apron Corner	2	C6	Blower Motor Grill	1
P4	End Panel	2	C7	Junction Box With Cord	1
P5	Electronic Scorer	1	C8	Red Plastic Goal	2
P6	Puck Catcher	2	K1	Hardware Kit	1
P7	Left Support Bracket	4			
P7A	Right Support Bracket	4			

90 DAY LIMITED WARRANTY

This consumer warranty extends to the original consumer purchase of any ESCALADE SPORTS Product (hereinafter referred as the "Product").

WARRANTY DURATION: This Product is warranted to the original consumer purchase of a period of 90 days from the original purchase.

WARRANTY COVERAGE: ESCALADE SPORTS warrants to the original Consumer Purchaser that any Product of its manufacture is free from defects in material and workmanship when used for the intended purpose under normal use and conditions. THIS WARRANTY IS VOID IF THE PRODUCT HAS BEEN DAMAGED BY ACCIDENT, UNREASONABLE USE, NEGLIGENCE, IMPROPER SERVICE, FAILURE TO FOLLOW INSTRUCTIONS PROVIDED WITH THE PRODUCT OR OTHER CAUSES NOT ARISING OUT OF DEFECTS IN MATERIAL AND WORKMANSHIP.

WARRANTY PERFORMANCE: During the above 90 day warranty period, ESCALADE SPORTS shall repair or replace with a comparable model, and Product, or component thereof, which may prove defective under normal use and proper care, and which our examination shall disclose to our satisfaction to be thus defective, please contact our Warranty Dept.

1-866-556-2758 / Warranty Dept.

Or Write us at:

Escalade® Sports, Inc. - P.O. Box 889, Evansville, IN 47706

Attn: Warranty Dept.

Or E-mail us at:

tablehockey@escaladesports.com

Other than shipping requirements no charge will be made for such repair or replacement of in-warranty Products. ESCALADE SPORTS strongly recommends that the Product is insured for value prior to mailing.

WARRANTY DISCLAIMERS: ANY IMPLIED WARRANTIES ARISING OUT OF THIS SALE, INCLUDING BUT NOT LIMITED TO THE IMPLIED WARRANTIES OF MERCHANTABILITY AND FITNESS FOR A PARTICULAR PURPOSE, ARE LIMITED IN DURATION TO THE ABOVE 90 DAY PERIOD. ESCALADE SPORTS SHALL NOT BE LIABLE FOR LOSS OF USE OF THE PRODUCT OR OTHER CONSEQUENTIAL OR INCIDENTAL COSTS, EXPENSES OR DAMAGES INCURRED BY THE CONSUMER OF ANY OTHER USE.

Some states do not allow the exclusion or limitation of implied warranties or consequential or incidental damages, so the above limitations or exclusions may not apply to you.

LEGAL REMEDIES: This warranty gives you specific legal rights and you may also have other rights which may vary from state to state.