

Installation Instructions



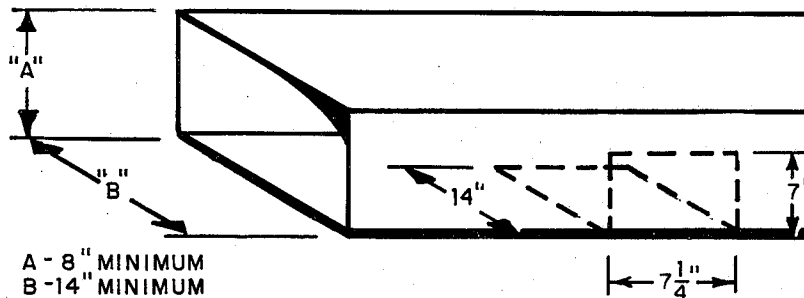
Model 5-905
Power
Humidifier

bryant

39905D1
10/18/67

Location for the Bryant Model 5-905 power humidifier should be in the warm air duct. CAUTION: Minimum duct size for mounting the humidifier is 8" x 14". Determine the most convenient side of duct for installation and maintenance.

Lay out and cut a $7\frac{1}{4}$ " x 14" hole on the bottom of the duct from the mounting side. On the mounting side of the duct, lay out a $7\frac{1}{4}$ " wide by 7" high hole. See Figure 1.



A - 8" MINIMUM
B - 14" MINIMUM

Figure 1



Install "Z" bars on the 14" sides. Slide the humidifier tray into the "Z" bars until the front flange is 3" from the duct side. Position the inspection plate on the humidifier tray until the edges of the inspection plate are even with the front of the humidifier tray. Hold the inspection plate against the duct, drill holes ($1/8$ ") and screw into place with the screws provided.

Tap off the nearest water line with the saddle line valve provided. $1/4$ " OD copper tubing should be connected to the compression fitting in the Bryant humidifier reservoir. Drain line should be connected to an open drain. ($3/8$ " ID plastic)

Cleaning - Depending on the type of water, discs may require replacement when the humidity drops. In all cases, pan should be drained and cleaned each spring.

Humidistat - Depending on the type of installation, one of the following Honeywell humidistats is recommended:

- 1) for room installation, the H46D1008 is recommended.
- 2) for duct installation, the H49A1001 is recommended.

BYPASS ADAPTER PACKAGE ASSEMBLY #63900D01 (when used)

With the Bryant Bypass Adapter Package, the humidifier can be installed on the supply or return plenum, or on either side of the furnace. In addition, there is an adjustable humidity manual control on the top of the adapter package to

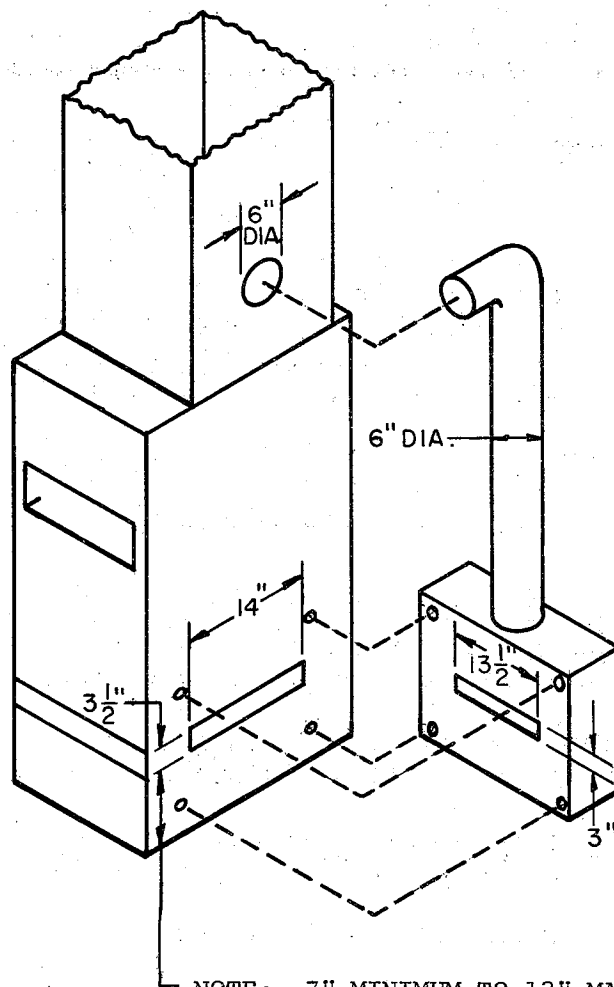
regulate humidity to "high," "low," or "off" position.

To mount the adapter package:

1. Remove the door on the motor side.
2. Remove baffle, and place the adapter flush against the area to which it is to be installed.
3. With a pencil, mark the mounting holes and the access hole. Remove the adapter package, drill the marked holes (1/8" drill). Cut out the access hole in the plenum or furnace casing. Mount the adapter with (4) screws provided. Slide humidifier into adapter and replace baffle. (Make sure baffle top is towards side access hole.) Fasten doors with screws provided.

Bypass piping from the adapter to the duct should have a diameter of 6".

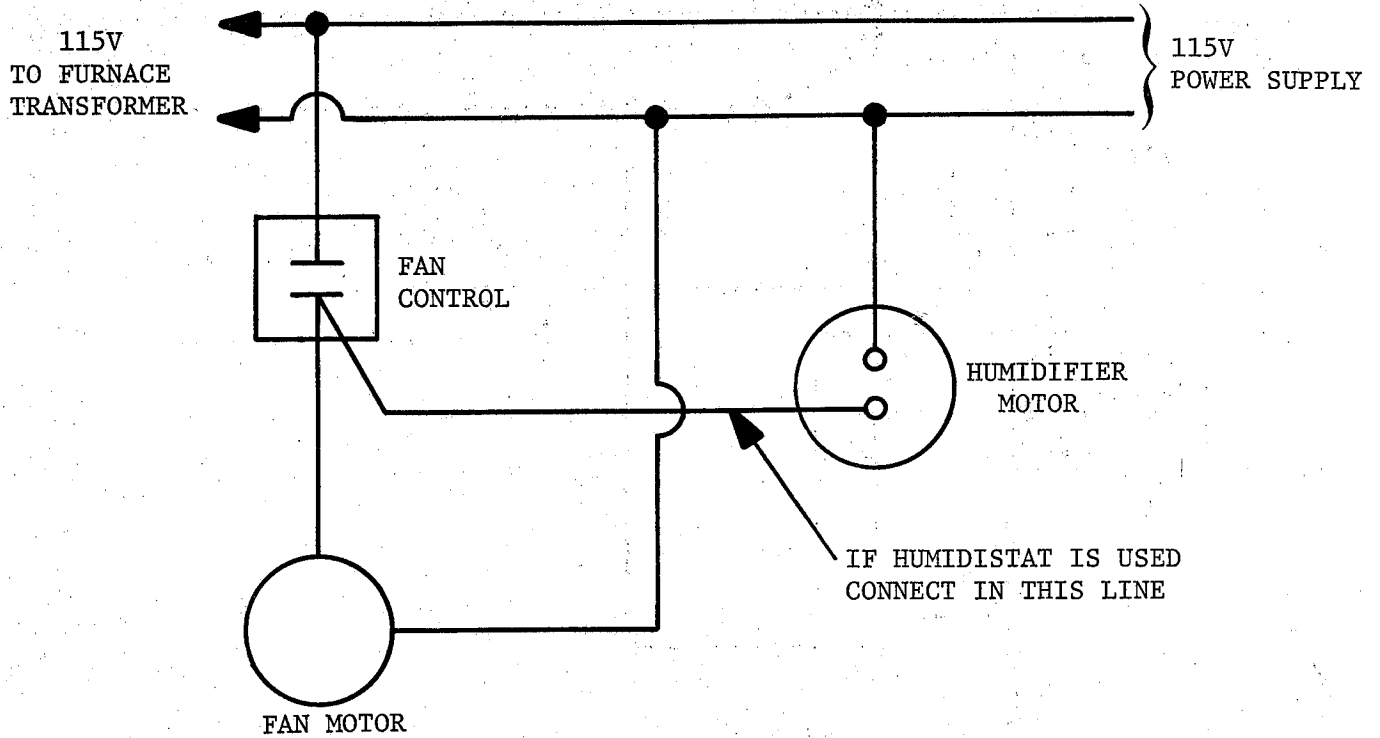
The humidifier is factory assembled as a right-hand unit for installation on the right-hand side of the furnace or plenum. To make a left-hand unit, remove the float assembly and re-assemble on the left-hand side of the tray.



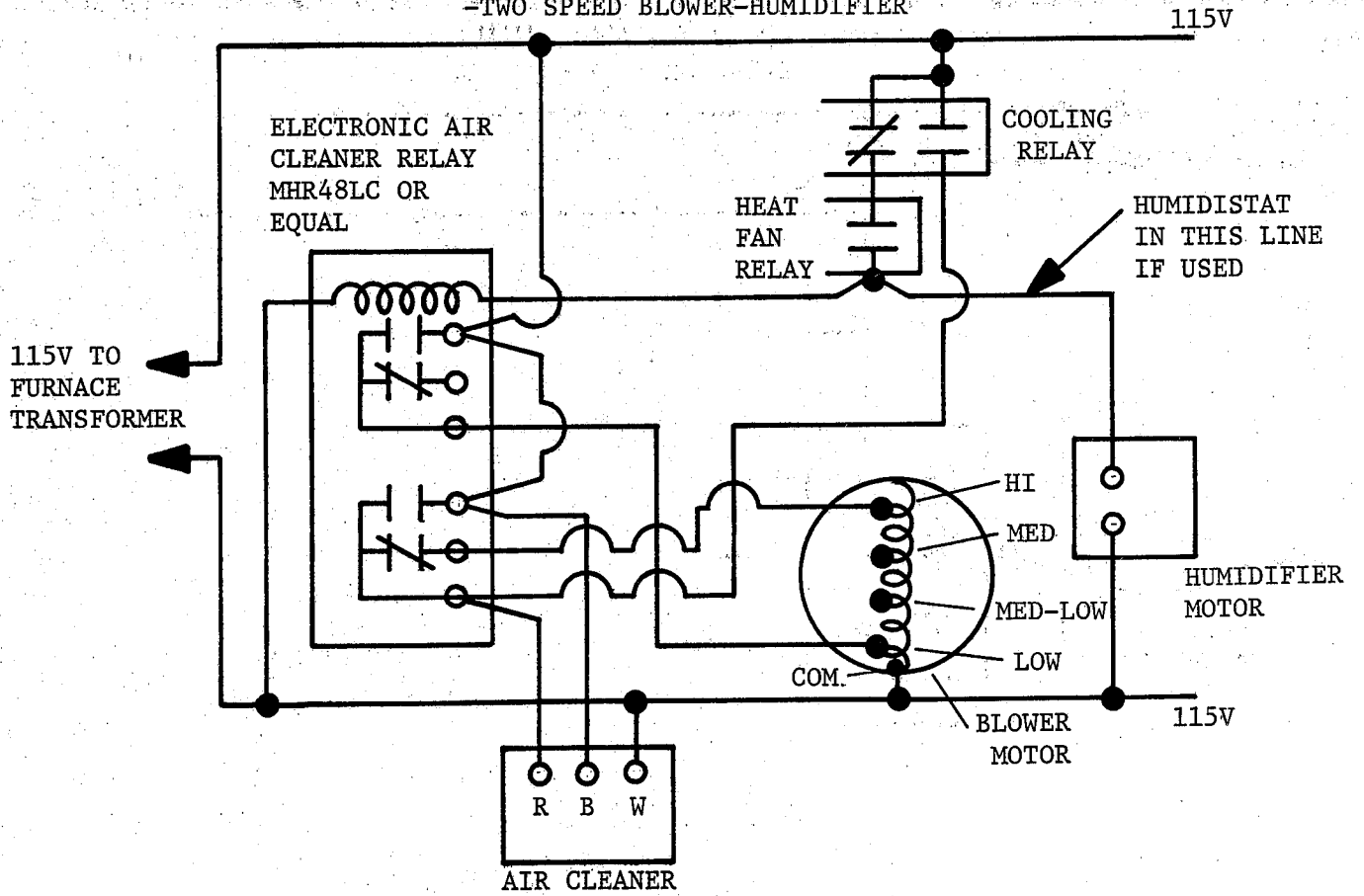
NOTE: 7" MINIMUM TO 12" MAXIMUM DISTANCE FROM BOTTOM HOLE TO FLOOR OF FURNACE

Figure 2 Installation on Side of Furnace

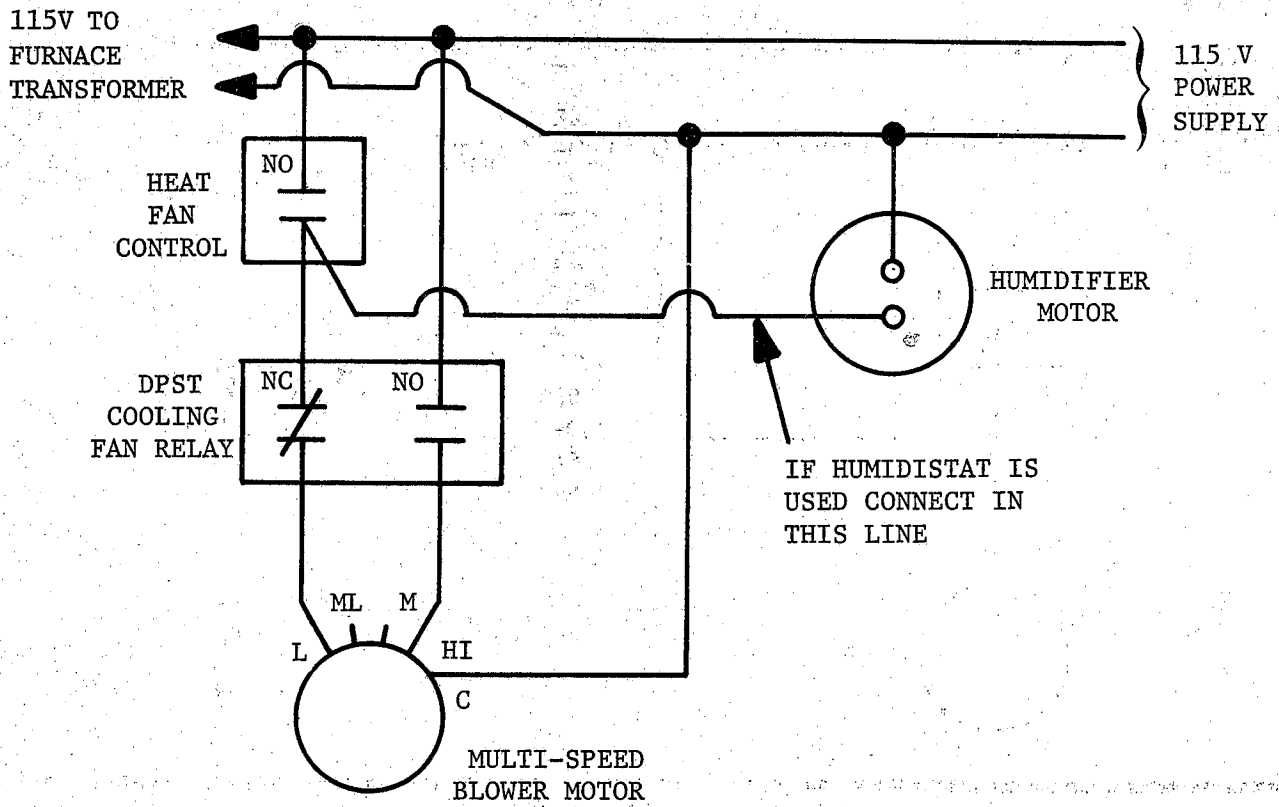
HUMIDIFIER WIRING FOR HEATING ONLY
INSTALLATION (SINGLE SPEED)



HEAT-COOL WITH ELECTRONIC AIR CLEANER
-TWO SPEED BLOWER-HUMIDIFIER



HUMIDIFIER WIRING FOR TWO SPEED
HEAT-COOL INSTALLATION



HUMIDIFIER WIRING FOR SINGLE SPEED
HEAT-COOL INSTALLATION

