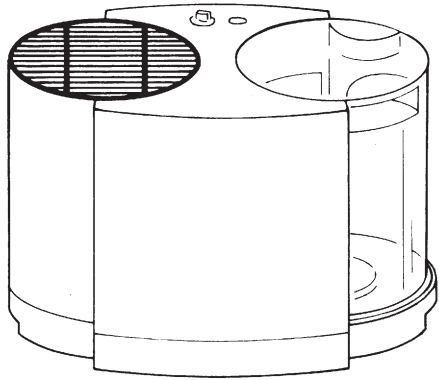


READ AND SAVE THESE INSTRUCTIONS



## Evaporative Humidifier

# OWNERS CARE & USE MANUAL



### Models:

- 726 000 2-speed with removable Water  
& bottle, Air Care Filter Optional  
726 905 (see order form)
- 737 600 3-Speed with removable Water  
Bottle, Air Care® Filter &  
Running Light
- 736 200 3-Speed with removable Water  
Bottle, Automatic Humidistat,  
Air Care Filter Optional (see  
order form)

French and Spanish  
instructions included.

Se incluyen instrucciones  
en Español y Francés.

Directives en français et  
en espagnol compris.



SAVE THE ENVIRONMENT  
RECYCLE APPROPRIATE MATERIALS

Patents: 5,037,583; 5,110,511; 5,133,904  
Other Patents Pending

# Important Safeguards

## READ BEFORE USING YOUR HUMIDIFIER

1) This appliance has a polarized plug (one blade is wider than the other). To reduce the risk of electric shock, this plug is intended to fit into a polarized 120-volt AC, 15-amp outlet, only one way. If the plug does not fit fully in the outlet, reverse the plug. If it still does not fit, contact a qualified electrician. Do not attempt to defeat this safety feature. If an extension cord must be used, it should also accept the wide blade plug and meet this electrical rating.

**Model 726 905** - This unit comes equipped with an exclusive flat-plug design with a built-in night light. This feature provides added safety in the child's room by making the plug harder to grasp and remove. The plug also lets you know when the unit is plugged into the wall outlet and may act as a night light. In addition, the flat plug allows for a more compact design, allowing you to plug in behind a nightstand or other furniture.

2) Do not place the cord under rugs, in traffic areas, or near heat sources.

**3) Do not use the humidifier if the cord is damaged.**

**4) Always unplug the power cord before cleaning, servicing, or when the unit is not in use.**

5) Unplug the humidifier and remove the water bottle before moving the unit.

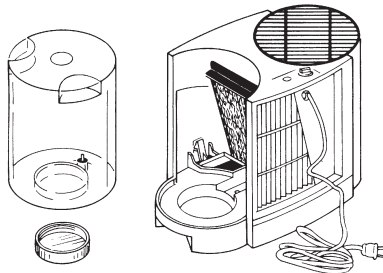
6) Do not place the humidifier near loose drapes, combustible materials, or heat-producing objects.

7) Always place the humidifier on a hard, level surface where it will not be accidentally bumped or tipped. Do not place on soft carpet.

8) DO NOT OPERATE THE HUMIDIFIER WITHOUT THE BASE ATTACHED.

9) This humidifier is UL listed with the Bemis by Essick Air brand evaporative wick in place. To maintain your UL rating, see your service center for all repairs. Use only Bemis by Essick Air brand replacement wicks and chemicals. To order parts, wicks and chemicals call 1-800-547-3888.

10) Regular cleaning is recommended. Refer to the CARE & MAINTENANCE section in the manual.



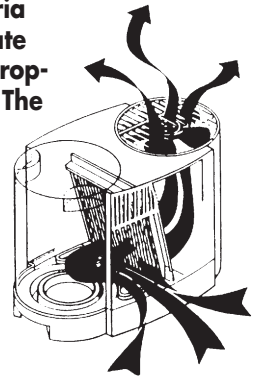
# Introduction

This humidifier is designed to provide relief from dry air discomfort in localized areas, such as bedrooms, dens and other rooms where humidity is needed. This product is not intended to humidify a whole house.

Your Bemis by Essick Air evaporative humidifier adds invisible moisture to your home by moving dry inlet air through a saturated wick. As air moves through the wick, the water evaporates into the air, leaving behind any white dust, minerals or dissolved and suspended solids. Because the water is evaporated, there is no messy mist or spray and no white dust, just clean and invisible moist air.

As the evaporative wick traps accumulated minerals from the water, its ability to absorb and evaporate water decreases. We recommend changing the wick at least once a year, preferably disposing of the used wick at the end of the humidifying season and starting with a new wick at the beginning of the next humidifying season. In hard water areas, more frequent replacement may be necessary to maintain your humidifier's efficiency.

**Caution- We recommend using Bemis by Essick Air Bacteria Treatment whenever you refill the water bottle to eliminate bacteria growth. Follow the directions to determine the proper amount to be added to the 1 3/4 gallon water bottle. The wick does not require the use of chelating agent type water treatments that are intended for use in Rotobelt or Water Wheel type humidifiers.**



## Tips for Best Performance

- 1) Do not block airflow inlets or outlets. Keep the grille areas clean.
- 2) Place the humidifier at least four inches away from any walls and in an area away from heat registers.
- 3) Regular cleaning of the humidifier is recommended. Follow the Care and Maintenance instructions in this manual.
- 4) Replace the optional Air Care Filter regularly, preferably once a year.
- 5) Change the evaporative wick at least once a year. In extremely hard water areas, more frequent replacement may be necessary. Only Bemis by Essick Air wicks guarantee the rated output of your humidifier.
- 6) Use a bacteriostat, such as Bemis by Essick Air #1970 EPA Registered Bacteria Treatment or Bemis by Essick Air #1970CN Environment Protection Branch registered Bacteria Treatment (in Canada), whenever you fill the water bottle to eliminate bacteria growth. To order Air Care® Filters, evaporative wicks or Bacteria Treatment call 1-800-547-3888 or use the convenient order form in the back of this manual.
- 7) Do not use water treatment products designed for Water wheel, Rotobelt, drum type, or ultrasonic humidifiers. These products may cause the wick to become inefficient.

# Controls and Operation

- 1) The humidifier should be placed at least FOUR inches away from any walls and away from heat registers. Do not place on soft carpet. Unrestricted airflow into the unit will result in the best efficiency and performance.
- 2) Refer to the operating controls. Model 726 000 and 726 905 (Figure 1) have two motor speeds and Models 736 200 and 737 600 (Figure 2) have three motor speeds. Rotate the knob to select the desired operating mode. The faster the motor speed, the more airflow and the greater the amount of humidification. The running time per filling varies with humidity of the room, speed setting, and condition of the evaporative filter.
- 3) All models have a quiet LOW setting which reduces the airflow for overnight operation in a bedroom or when conditions may not require full output. Model 737 600 has an indicator lamp which serves as a reminder that the unit is operating. The intensity of the lamp varies with the motor speed.
- 4) Model 736 200 also has an automatic humidistat. (The humidistat control knob is located on the left.) The humidistat will turn the humidifier on when the relative humidity in your home is below the humidistat setting and will turn the humidifier off when the relative humidity reaches the humidistat setting. For initial operation, set the humidistat at its midpoint and adjust up or down from there to achieve the desired humidity level.
- 5) Remove the water bottle, observe the water bottle cap, (A) and locate the valve stem mechanism (B). The cap may be removed for filling and to provide easy access for cleaning. The valve supplies a regulated amount of water to the water channel and wick. Do not attempt to increase water flow by modifying this valve. Doing so will invalidate your warranty and may cause water damage to your home. NOTE: The water level can easily be observed through the tinted water bottle. It is time to refill the bottle when the water level is no longer visible.

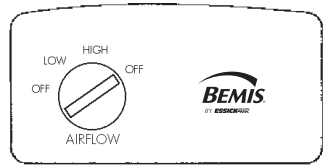


Figure 1

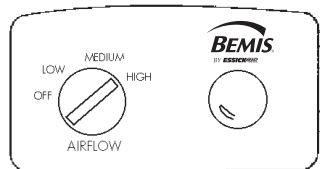
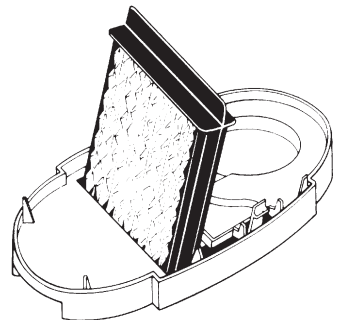
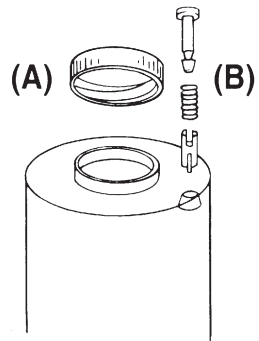


Figure 2



- 6) Before proceeding, make sure the wick is resting all the way into the water channel, (see diagram). Refer to the CARE AND MAINTENANCE Section for instructions on removing the wick for cleaning and service.
- 7) Some models feature a two-stage air filter which attaches to the inside of the inlet grille area and cleans the air, as it provides humidity. Refer to the CARE AND MAINTENANCE Section for instructions on installing and removing the two stage air cleaning filter.

# Care and Maintenance

Humidifiers provide comfort by adding moisture to dry, heated indoor air. To get the most benefit from the humidifier and avoid product misuse, follow all instructions carefully, specifically the operation, care and maintenance guidelines. Please note this is an electrical appliance and requires careful attention when in use.

In addition, if you do not follow the recommended care and maintenance guidelines, microorganisms may be able to grow in the water within the humidifier's reservoir.

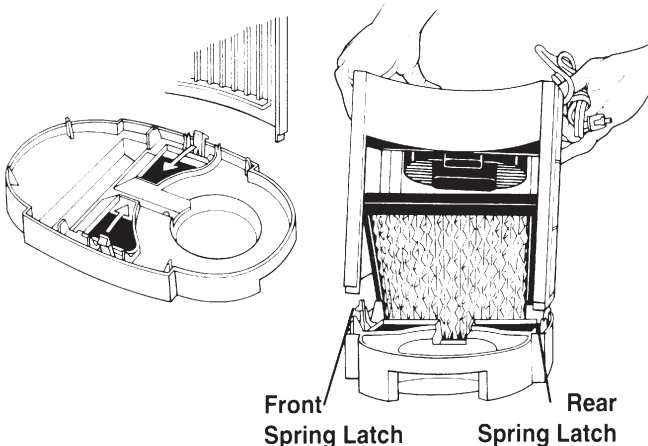
## CLEANING THE BASE AND REPLACING THE WICK

**CAUTION: Disconnect the power cord before cleaning or servicing the unit.**

**IMPORTANT: We recommend cleaning your humidifier at least once a week. follow instructions.**

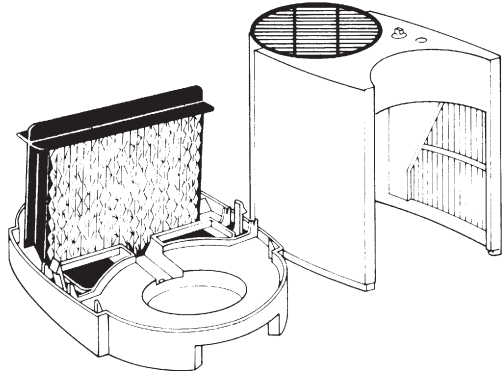
Cleaning your humidifier regularly helps eliminate odors and bacterial and fungal growth. Ordinary household bleach is a good disinfectant and can be used to wipe out the humidifier base and bottle after cleaning.

- 1) Turn unit off and unplug the cord.
- 2) Using both hands, remove the water bottle from the humidifier and place it with the cap up in a secure location.
- 3) Remove the air cleaning filter if installed. See CLEANING AND REPLACING THE AIR CLEANING FILTER.
- 4) Locate the two internal spring latches on the front and rear of the base. Releasing these latches will allow removal of the top housing. Flex the rear latch and lift the back of the top housing off the base far enough to clear the latch. Flex the front latch and lift the complete top housing away from the base. Place the top housing on a flat surface.



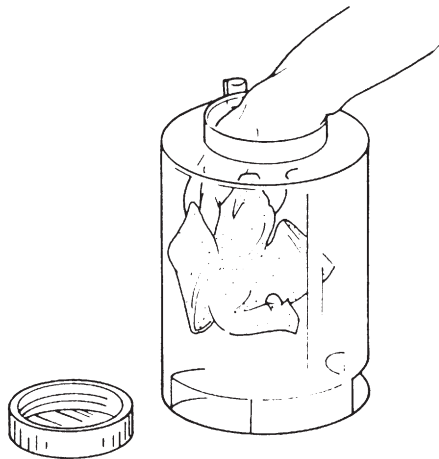
## REMOVING SCALE

- 5) The base, with water in the water channel, may be carried to the sink. Lift the wick from the base allowing excess water to drain into the channel.
- 6) Rinse the wick under freshwater only. Do not use soap, detergent, or any other cleaners on the wick. Leave in the sink to drain.
- 7) Empty the water from the base and water bottle. Fill the water channel and water bottle with one 8 oz. cup of undiluted white vinegar. Let stand 20 minutes.
- 8) Dampen a soft cloth with undiluted white vinegar and wipe out water bottle and water channel to remove scale. Do not use abrasive cleaners or cloths. Rinse the water bottle and water channel thoroughly with fresh water to remove scale and cleaning solution before disinfecting.
- 9) Clean all interior surfaces with a soft brush. Clean the top housing gently with a soft, dry cloth. Never use abrasive cleaners. Inspect the air inlet and outlet grilles. Clean the grille vents with a soft, dry cloth if they show accumulated dust.



## DISINFECTING UNIT

- 10) Fill the water bottle and water channel with 1 teaspoon bleach in 1 gallon of water. Let solution stay 20 minutes, swishing every few minutes. Wet all surfaces.
- 11) Empty water bottle and water channel after 20 minutes. Rinse with water until bleach smell is gone. Dry with a clean cloth.
- 12) The outside of the water bottle may be wiped with a soft cloth dampened with fresh water.



## RE-ASSEMBLY

- 13) Replace the wick into the base water channel. See CONTROLS AND OPERATION Section.
- 14) Position the top housing directly above the base. Lower it carefully onto the base and align the base and top housing walls. The top housing should rest on the shelf inside the base and attach firmly to the bottom housing.
- 15) Replace the air cleaning filter (if included). See REPLACING THE AIR CLEANING FILTER Section.
- 16) Return the humidifier to its desired location.
- 17) Refill and replace the water bottle. (Refer to the CONTROLS & OPERATIONS Section).

Under certain conditions, water impurities may accelerate bacteria growth in the water bottle. We recommend using Bemis by Essick Air Bacteria Treatment when the water bottle is filled. Follow directions on the bacteriostat.

- 18) Plug the unit in and turn it on.

## REPLACING EVAPORATIVE WICK AND AIR FILTER

We recommend replacing the wick at least once a season, more often in hard water areas. When the wick appears excessively clogged with mineral deposits, discard it and restore your humidifier's efficiency with a new wick. Model #SGL1040 is the replacement evaporative water wick and model #1052 is the replacement air filter. (Call 1-800-547-3888 to order.)

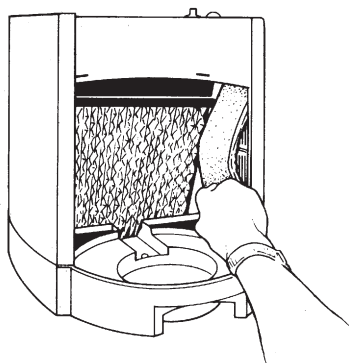
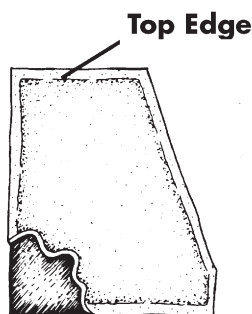
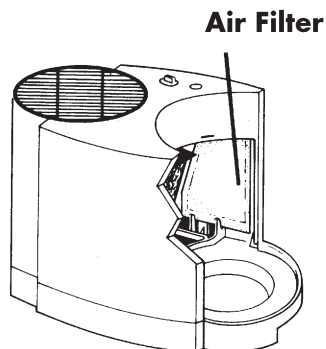
Only Bemis by Essick Air filters guarantee the certified output of your humidifier. Use of evaporative wicks other than Bemis by Essick Air evaporative wicks will void your warranty as well as the certification of output and may reduce the efficiency and output of your humidifier.



## CLEANING AND REPLACING THE AIR CLEANING FILTER (IF INSTALLED)

The air cleaning filter continuously removes particles and odor as the air in the room is circulated during the normal operation of the humidifier. Over a period of time, all the air in the room passes through and is cleaned by the air filter.

- 1) Turn the unit off and unplug the cord
- 2) Using both hands, remove the water bottle from the humidifier and place it with the cap up in a secure location.
- 3) Locate the air filter mounted behind the air inlet grille on the back of the humidifier. The air filter is flexible. Place a finger underneath the bottom edge and lift it out of the tabs in the base. Pull it down and away.
- 4) Inspect the air filter. This is a two-stage device. The fluffy white media is an electrostatic charged particulate filter for removing dust and small particles. The black inner media is a thick, activated carbon filter for removing odors.
- 5) A clean filter is important to maintain the output performance. Observe the amount of contaminate on the white electrostatic side of the filter. If there is a visible layer of dust accumulation, the filter should be cleaned or replaced.
- 6) Replacing the air cleaning filter at least once a humidifying season is recommended. The air filter may be gently cleaned with a soft-bristle brush. Care should be used not to pull apart the bonded area around the edge of the filter. Frequent cleaning will lengthen the life of the air filter.
- 7) To replace the air filter, slip the top edge into the slot above the inlet grille. Bend the filter outward until the bottom flange can be inserted into the slotted tabs in the base. Push on the center of the filter to move it into position against the inside of the inlet grille. Slide the filter left until the angled edge contacts the angled grille wall. The white side of the air cleaning filter faces the exterior of the humidifier.



# Troubleshooting

## 1. Unit does not operate at any speed setting:

- Polarized cord must be fully inserted in wall outlet. Turn the humidistat control fully clockwise.
- Check the airflow path. Are there any obstructions preventing movement of the fan blade?
- The motor contains a temperature-sensing fuse. If the motor becomes overheated, the fuse may trip. Unplug the unit and contact the nearest authorized service station. **DO NOT ATTEMPT** to repair the motor yourself.

## 2. Not enough humidity:

- This is an evaporative humidifier. The humidity is invisible.
- Check the condition of the evaporative wick and the air cleaning filter. The evaporative wick should be damp. If it is dry, refer to the "controls and operation" section for the correct position of the wick. If the wick is clogged, replace it.
- The water bottle may be empty—refill.
- The humidistat control may be set too low. Adjust the humidistat control clockwise to a higher setting.

## 3. Too much humidity:

- When condensation becomes heavy on cold surfaces in the room, turn the unit to a lower speed setting, turn down the humidistat (rotate counter clockwise), or increase the room temperature.

## 4. Water does not flow out of the bottle:

- After refilling the water bottle and placing it in the humidifier, water may not flow into the channel if the humidifier was run dry. Tip the bottle several times so the valve opens and closes. This will start the flow of water.

## 5. Water bottle leaks:

- If the cap leaks after filling, remove the cap and inspect the bottle rim and the foam cap gasket. Wipe any mineral deposits off the bottle rim and the cap gasket. Tighten the cap securely.
- If the water valve leaks around the rubber stopper after filling, empty the water bottle and inspect the stopper. Mineral particles may prevent full closure. Clean the stopper. If leaking persists, stopper replacement may be necessary. Contact your service center or Bemis by Essick Air customer service for assistance.

**NOTE: The water bottle must be AIR TIGHT. The water channel will overflow if air leaks into the bottle during use from a loose cap or cracked bottle. A leaking stopper will not affect the proper function of the water bottle after it is installed in the humidifier.**

**CAUTION: Disconnect power before cleaning or servicing.**

**WARNING: The top housing assembly contains no consumer serviceable parts. To reduce the risk of electrical shock, do not attempt to open the wiring cover.**

**Electrical repair must be made by an authorized Service Center. Attempts to repair or replace electrical components will void your warranty.**

## **END OF SEASON MAINTENANCE**

**Caution: Disconnect power before cleaning or servicing.**

- 1) Follow weekly maintenance instructions at end of humidification season or when humidifier will not be used for at least one week or more.
- 2) At the end of the humidification season, discard used evaporative wicks and air cleaning filters
- 3) Clean, disinfect and dry completely before storing. Do not store with water inside water bottles or water tray.
- 4) Store in cool, dry location.

## **STATIC CLING STICKERS**

The model 726 905 comes with a sheet of static cling stickers. this allows a child to personalize his/her humidifier. the stickers should only be used under adult supervision and are not for children under three. The stickers are re-usable.



**HOME COMFORT DIVISION  
ONE-YEAR LIMITED WARRANTY**

The Bemis by Essick Air humidifier warranty covers defects in materials and workmanship for a period of one year from date of retail purchase. This warranty applies only to the original purchaser of the product.

Within the first 12 months from date of purchase, Essick Air will repair or replace, at its discretion, any defective part of the humidifier covered by this warranty.

This warranty gives you specific legal rights, and you may also have other rights which vary from state to state or province to province.

This warranty does not cover damage resulting from misuse or abuse of the humidifier, accidents or alterations to the product, commercial use or damage during shipment. Misuse includes malfunctions caused by negligence in cleaning or parts fouled with mineral deposits due to hard-water conditions. Alterations to the product include the substitution of non-Bemis by Essick Air brand components including, but not limited to, wicks.

If service becomes necessary, take or send the product to any Bemis by Essick Air service center.



**Essick Air Products, Inc.**  
5800 Murray Street  
Little Rock, AR 72209  
501.562.1094



## ACCESSORY ORDER FORM

To keep your humidifier in top working condition, use only Bemis by Essick Air replacement parts. Only Bemis by Essick Air replacement wicks guarantee your humidifier will maintain its original AHAM certified output.



Item #	Description	Qty	Unit Price	Amount
1040	Twin Pack Wick for 300, 500, &, 700 Tabletop Humidifiers		\$ 12.99	
	SGL1040 Single Pack Wick for 300, 500 & 700 Tabletop Humidifiers		\$ 7.49	
1044	Replacement Wick Filter for 900 Series Tabletop Humidifiers		\$ 5.49	
1050	Air Cleaner Filter for 500 Series Tabletop Humidifiers		\$ 7.99	
1052SGL	Air Cleaner for 700 Series Tabletop Humidifiers		\$ 5.99	
1053	Twin Pack Air Cleaner Filter for 300 Series Tabletop Humidifiers		\$ 12.99	
1961	Cleaner for all Humidifiers, 32 oz.		\$ 3.99	
1970	Bacteria Treatment, 32 oz.		\$ 5.99	
H7000	Summer Protective Dust Cover for 700 Series		\$ 4.99	
1990	Digital Hygrometer/Comfort Sensor		\$ 25.99	

Shipping Schedule	
\$0.00 - 19.99 . . \$4.00	
\$20.00 - 49.99 . . \$6.00	
\$50.00 - 99.99 . . \$8.00	
\$100.00+ . . . \$10.00	

TOTAL MERCHANDISE \_\_\_\_\_  
 CT RESIDENTS ADD 6% TAX \_\_\_\_\_  
 SHIPPING & HANDLING \_\_\_\_\_  
 TOTAL INVOICE AMOUNT \_\_\_\_\_

Source Code	Revised
BEM 120	05/04/2004

Name \_\_\_\_\_

Address \_\_\_\_\_

City \_\_\_\_\_ State \_\_\_\_\_ Zip Code \_\_\_\_\_

Phone number \_\_\_\_\_

Email address \_\_\_\_\_

Enclosed is my:  Check or Money Order (US Currency) payable to:

**BEMIS BY ESSICK AIR**

Visa/MasterCard   
  American Express   
  Discover   

Card #: \_\_\_\_\_

Signature: \_\_\_\_\_

Expiration Date: \_\_\_\_\_

**Web Orders:**      [www.bemis-parts-store.com](http://www.bemis-parts-store.com)

**Telephone Orders:** • Call toll free 1-800-547-3888  
 • \$15.00 minimum telephone orders

**Mail Orders:**      **BEMIS BY ESSICK AIR CONSUMER SERVICES**  
 20 Constitution Boulevard, South  
 P.O. Box 884  
 Shelton, CT 06484-0884

**ORDERS ARE SHIPPED WITHIN 24 HOURS.**  
 If outside the continental USA, call for FREIGHT CHARGES.

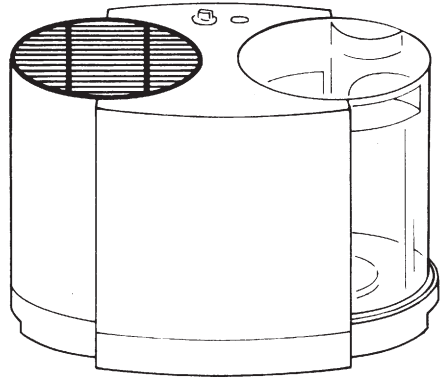


LEER Y CONSERVAR ESTAS INSTRUCCIONES



**Humidificador  
Vaporizador**

# MANUAL CUIDADO Y USO POR EL PROPIETARIO



## Modelos:

- 726 000 2 velocidades con botella de agua desmontable (Filtro & 726 905 limpiador de aire opcional, ver formulario para ordenar)
- 737 600 2 velocidades con botella de agua desmontable, filtro limpiador de aire y luz indicadora de funcionamiento.
- 736 200 De 3 velocidades con Botella de Agua Desmontable, Control Automático de Humedad y Filtro de Aire AirCare® Opcional (ver el formulario para ordenar)



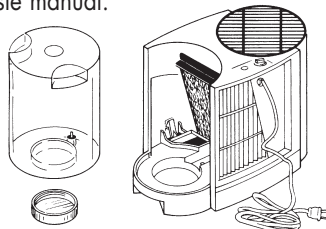
PROTEJA EL MEDIO AMBIENTE  
RECICLE LOS MATERIALES APROPIADOS

Patentes 5,037,583; 5,110,511; 5,133,904  
Otras patentes pendientes

# Pautas importantes de seguridad

## LEER ANTES DE UTILIZAR SU HUMIDIFICADOR

- 1) Este artefacto tiene un enchufe polarizado (una espiga es más ancha que la otra). Para disminuir el riesgo de descarga eléctrica, este enchufe está diseñado para encajar tan solo de una forma en un toma corriente polarizado de 120 voltios CA, de 15 amp. Si el enchufe no encaja completamente en el tomacorriente, intentar conectarlo en sentido contrario. Si a pesar de eso no encaja, contactar a un electricista calificado. No intentar burlar esta característica de seguridad de manera alguna. Si se tiene que usar un cordón de extensión, éste también debe aceptar el enchufe con espiga ancha y debe tener el voltaje adecuado.  
**Modelo 720 905** - Esta unidad viene equipada con un enchufe plano exclusivo diseñado con una luz integrada. Dicha característica provee un elemento adicional de seguridad en la habitación de los niños, permitiendo tomar el cabezal del tomacorriente y removerlo. El tomacorriente también le permite saber si la unidad está enchufada, y aún puede actuar como luz nocturna. Además, el diseño aplanado del tomacorriente le permite enchufarlo detrás de una mesa de luz u otro mueble.
- 2) No colocar el cable debajo de alfombras, en áreas de tráfico, ni cerca de fuentes de calor.
- 3) No use este humidificador si el cable está dañado.
- 4) Siempre desconectar el cable de la corriente eléctrica antes de limpiar, dar servicio o cuando la unidad no esté en uso.
- 5) Desconectar el humidificador y retirar la botella de agua antes de mover la unidad.
- 6) No colocar el humidificador cerca de cortinas sueltas, materiales combustibles u objetos que produzcan calor.
- 7) Siempre colocar el humidificador sobre una superficie dura, nivelada donde no pueda ser volcado o se pueda tropezar con él accidentalmente. No colocarlo sobre alfombrado blando.
- 8) NO OPERAR EL HUMIDIFICADOR SIN LA BASE COLOCADA.
- 9) Este humidificador está certificado por UL cuando tiene instaladas las mechas vaporizadoras marca Bemis by Essick Air. Para mantener la certificación UL, visitar la estación de servicio para todas las reparaciones y usar únicamente mechas de repuesto y químicos de la marca Bemis by Essick Air. Para ordenar repuestos, mechas y químicos, llamar al 1-800-547-3888.
- 10) Se recomienda limpiar con regularidad. Referirse a la sección de CUIDADO Y MANTENIMIENTO en este manual.





# Introducción

Este humidificador está diseñado para aliviar la incomodidad del aire seco en áreas chicas, tales como dormitorios, salas y otras habitaciones donde la humedad es necesaria. Este producto no está hecho para humidificar toda una casa.

Su humidificador vaporizador Bemis by Essick Air agrega una humedad invisible a su hogar haciendo pasar el aire seco a través de la mecha vaporizadora saturada de agua. A medida que el aire pasa a través de la mecha vaporizadora humedecida, el agua se va evaporando en el aire dejando atrás cualquier polvo blanco, minerales o sólidos disueltos y suspendidos en la mecha vaporizadora que a su vez sirve de filtro. Debido a que el agua se evapora, no existe niebla o rocío sucio ni polvo blanco, tan solo aire húmedo limpio e invisible.

A medida que la mecha vaporizadora atrapa los minerales acumulados en el agua, su capacidad para absorber y evaporar agua va disminuyendo recomendamos cambiar la mecha vaporizadora por lo menos una vez al año, preferiblemente desechando la mecha vaporizadora usada al final de la temporada en la que se necesita humedad adicional, y comenzando con una nueva en la siguiente temporada. En áreas con aguas duras el reemplazo puede ser necesario con más frecuencia para conservar la eficiencia de su humidificador.

**PRECAUCIÓN: Para eliminar el desarrollo bacteriano, recomendamos usar Bactericida Bemis by Essick Air, cada vez que se rellene la botella de agua. Seguir las instrucciones para determinar la cantidad apropiada que debe añadirse a la botella de agua de 1 3/4 galones (6,6 litros). La mecha vaporizadora no requiere de agentes anticalcificantes para el tratamiento de agua cuyo uso está destinado a humidificadores tipo Correa Rotatoria o Rueda de Agua.**

## Consejos para un mejor rendimiento

- 1) No bloquear las entradas o salidas del flujo de aire. Mantener limpias las áreas de las rejillas.
- 2) Colocar el humidificador por lo menos a cuatro pulgadas (diez centímetros) de distancia de cualquier pared y en un área lejos de las rejillas de la calefacción.
- 3) Se recomienda limpiar con regularidad el humidificador. Referirse a la sección de CUIDADO Y MANTENIMIENTO en este manual.
- 4) Reemplazar el filtro opcional de aire AirCare® regularmente, preferible una vez al año.
- 5) Cambiar la mecha vaporizadora por lo menos una vez al año. En áreas de agua extremadamente dura, puede ser necesario cambiarla con más frecuencia. Sólo las mechas vaporizadoras Bemis by Essick Air garantizan la capacidad de su humidificador.
- 6) Para eliminar el desarrollo de bacterias recomendamos que, cada vez que se las botellas con agua, se use un bactericida como el Tratamiento Bactericida Bemis by Essick Air #1970 registrado en el SPA (en EE.UU) o el Bemis by Essick Air #1970CN Registrado en la Oficina de Protección del Ambiente (en Canadá). Para ordenar filtros AirCare®, mechas vaporizadoras, o Tratamiento Bactericida Bemis by Essick Air llamar al 1-800-547-3888, o usar el formulario para ordenar que está en la parte de atrás de este manual.

- 7) No usar productos de tratamiento de agua diseñados para humidificadores tipo con rueda de agua, Rotobelt, estilo tambor o ultrasónico. Estos productos pueden causar la ineficiencia de la mecha vaporizadora.

# Controles y Operación

- 1) El humidificador debe estar ubicado al menos a CUATRO pulgadas (DIEZ centímetros) de cualquier pared y lejos de las rejillas de la calefacción. No colocarlo sobre alfombras blandas. El flujo de aire sin restricción dentro de la unidad dará como resultado un rendimiento óptimo y eficiente.

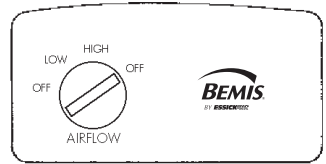


Figure 1

- 2) Referirse a los controles de operación. El modelo 726 000 tiene un motor de dos velocidades y los modelos 736 200 y 737 600 (Figura 2) tienen motor de tres velocidades. Girar la perilla para seleccionar la modalidad de operación deseada. Mientras más rápida sea la velocidad del motor, mayor será el flujo de aire y la humidificación. El tiempo de duración de cada carga de agua varía según la humedad de la habitación, la regulación de la velocidad y la condición del filtro vaporizador.

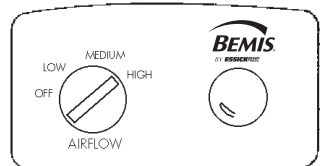
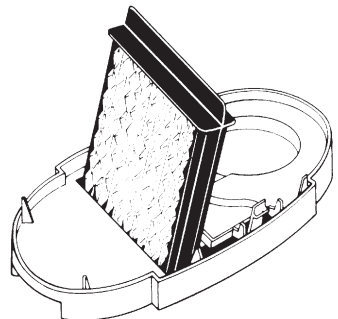
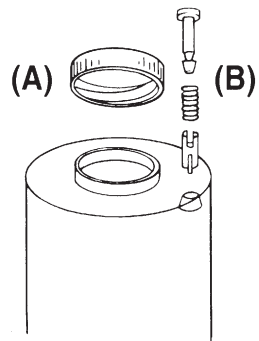


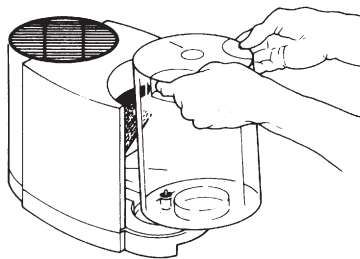
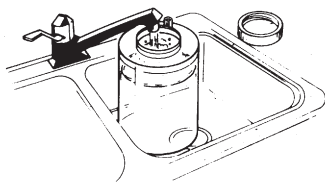
Figure 2

- 3) Todos los modelos tienen un ajuste silencioso LOW (bajo) que reduce el flujo de aire en la operación nocturna en un dormitorio o cuando las condiciones no requieran salida máxima. El modelo 737 600 tiene una luz indicadora que sirve para señalar que la unidad esté en marcha. La intensidad de la luz varía según la velocidad del motor.

- 4) El Modelo 736 200 también tiene control automático de humedad. (La perilla del control de humedad está ubicada a la izquierda.) El control de humedad hará funcionar el humidificador cuando la humedad relativa de su hogar baje al nivel prefijado en el control y lo apagará cuando la humedad relativa alcance el nivel prefijado en el control. Para la operación inicial, fijar el control automático en el medio y de ahí regularlo hacia arriba o hacia abajo para lograr el nivel de humedad deseado.



- 5) Retirar una botella de agua, observar su tapa (A), y ubicar el mecanismo del vástago de la válvula (B). La tapa se puede sacar para llenar la botella y para facilitar el acceso para la limpieza con un cepillo de mango largo y cerdas suaves. La válvula regula la cantidad de agua al canal de agua y a la mecha. No intentar aumentar el flujo de agua modificando esta válvula ni haciéndole orificios adicionales a la botella. El hacerlo invalidará su garantía y puede causar daños por agua a su hogar. NOTA: El nivel de agua puede observarse fácilmente a través de las botellas coloreadas. Las botellas de agua se deben recargar cuando el nivel del agua baja a una pulgada (2.5 cm) o menos.
- 6) Antes de proceder, asegúrese de que la mecha vaporizadora esté descansando completamente en el canal de agua, (ver el diagrama). Referirse a la sección de CUIDADO Y MANTENIMIENTO para ver instrucciones acerca de cómo retirar la mecha vaporizadora para limpiarla y darle servicio.
- 7) Algunos modelos se caracterizan por tener un filtro limpiador de aire de dos etapas que se coloca en la parte interior del área de la rejilla de entrada y limpia el aire mientras proporciona humedad. Referirse a la sección de CUIDADO Y MANTENIMIENTO para ver instrucciones sobre cómo instalar y retirar el filtro limpiador de aire de dos etapas.
- 8) Llevar la botella de agua a un lavabo, lavadero o tina de baño. Manipular la botella de agua con cuidado. No dejar caer la botella ya que se romperá. Dar vuelta a la botella y retirar la tapa enroscable. Desechar el agua restante en la botella, enjuagar la botella completamente y limpiar con un paño antes de agregar agua fresca.
- 9) Para agregar agua, colocar un paño suave en el lavabo y colocar la botella sobre el mismo. Abrir el grifo de agua corriente fría y sostener la botella mientras se llena. La capacidad de la botella es 1 <sup>3</sup>/<sub>4</sub> galones (6,6 litros). No llenarla en exceso. Cuando esté llena, colocarla cuidadosamente sobre una superficie plana protegida y secarla con un paño suave seco. Volver a colocar la tapa roscada y ajustarla. Con las dos manos, llevar la botella hasta el humidificador.
- 10) Regresar la botella a su posición correcta usando las asas de la parte superior. Lentamente colocar la botella en el área hundida, la parte superior de la botella queda a ras con la parte superior del humidificador.
- 11) Cuando esté ubicada en forma apropiada, la válvula se abrirá y el agua fluirá dentro del canal de agua. El nivel del agua permanecerá automáticamente a la altura de la espiga en el canal de agua hasta que la botella de agua esté vacía.



- 12) Extender el cable de energía e inspeccionarlo para verificar que no esté dañado. No usar el producto si el cable ha sido dañado. Enchufar el cable en un tomacorriente polarizado de 120 voltios CA.
- 13) Girar el control de velocidad (perilla de la derecha) a la posición deseada. Se sentirá salir el aire frío, húmedo e invisible por la rejilla de salida. La rejilla de salida tiene láminas tipo persiana que puede girarse en 360 grados para dirigir el flujo de aire donde se desee.

**PRECAUCIÓN: Bajo ciertas condiciones, los objetos fríos en la habitación, tales como ventanas y paredes exteriores, pueden causar que la humedad se condense. La alta concentración en el umbral de las ventanas y en las paredes puede provocar daño por humedad. Cuando existan estas condiciones, se recomienda un ajuste de velocidad más bajo. Nota: La unidad no se apagará automáticamente cuando las botellas estén vacías; sin embargo esto no dañará el humidificador.**

## Cuidado y Mantenimiento

Los humidificadores proporcionan comodidad agregando humedad al aire interior seco y calefaccionado. Para obtener los mayores beneficios del humidificador y evitar su uso indebido, seguir todas las instrucciones cuidadosamente, especialmente las pautas de operación, cuidado y mantenimiento. Por favor tomar nota que éste es un aparato eléctrico y necesita cuidadosa atención cuando esté en uso.

Además, si no se siguen las pautas de cuidado y mantenimiento recomendado, es posible que crezcan microorganismos en el agua dentro del reservorio del humidificador.

### **PARA LIMPIAR LA BASE Y REEMPLAZAR LA MECHA VAPORIZADORA**

**PRECAUCIÓN: Desconectar la corriente eléctrica antes de limpiar o reparar la unidad.**

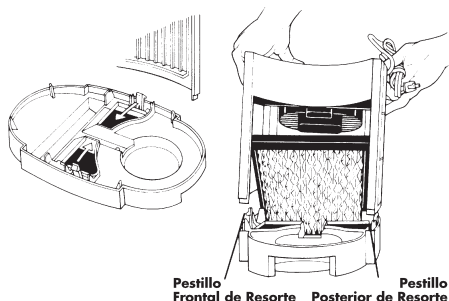
**IMPORTANTE: Recomendamos limpiar su humidificador por lo menos una vez por semana. Seguir las instrucciones.**

Limpiar su humidificador en forma regular ayuda a eliminar los olores y el desarrollo de bacterias y hongos. El blanqueador de cloro doméstico común es un buen desinfectante y puede usarse para limpiar la base y botella del humidificador después de limpiarlas.

- 1) Apagar la unidad y desenchufar el cable eléctrico.
- 2) Usando ambas manos, retirar la botella de agua del humidificador y colocarla con la tapa hacia arriba en un lugar seguro.
- 3) Retirar el filtro limpiador de aire si está instalado. Ver la sección LIMPIEZA Y REEMPLAZO DEL FILTRO LIMPIADOR DE AIRE.

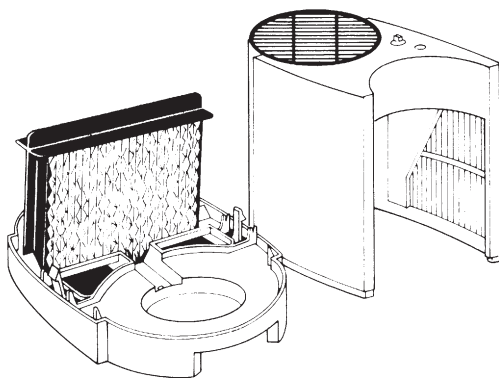
# Cuidado y mantenimiento (cont.)

- 4) Ubicar los dos pestillos internos con resorte en la parte frontal y posterior de la base. Liberar los pestillos permitirá sacar la parte superior de la caja. Flexionar el pestillo posterior y levantar la parte de la caja desde atrás retirándola de la base lo suficiente para pasar por el pestillo. Flexionar el pestillo delantero y levantar toda la parte superior de la caja quitándola de la base. Colocar la parte superior de la caja sobre una superficie plana.



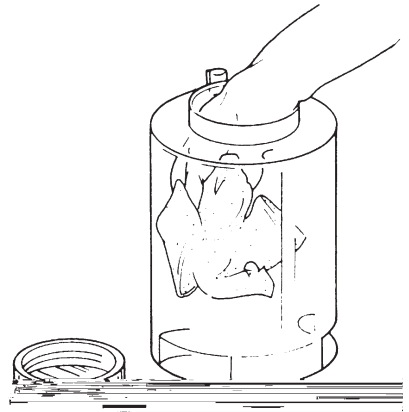
## PARA ELIMINAR LA CALCIFICACIÓN

- 5) La base, con agua en el canal, puede llevarse al lavabo. Levantar la mecha vaporizadora de la base permitiendo que el agua restante salga al canal de agua.
- 6) Enjuagar la mecha vaporizadora bajo agua fresca solamente. No usar jabón, detergente ni ningún otro limpiador en la mecha vaporizadora. Dejar en el lavabo para que escurra.
- 7) Desocupar toda el agua de la base y de la botella. Llenar el canal de agua y la botella de agua con una taza de 8 onzas (0.237 Lt.) de vinagre blanco sin diluir. Dejar reposar por 20 minutos.
- 8) Empapar un paño suave con vinagre blanco sin diluir y limpiar la botella de agua y el canal de agua para retirar las escamas. No usar limpiadores ni paños abrasivos. Enjuagar la botella de agua y el canal de agua completamente con agua fresca para quitar las calcificaciones y la solución limpiadora antes de desinfectar.
- 9) Limpiar todas las superficies interiores con un cepillo suave. Limpiar cuidadosamente la parte superior de la caja con un paño suave y seco. Nunca usar limpiadores abrasivos. Inspeccionar las rejillas de entrada y salida de aire. Si presentan polvo acumulado, limpiar las rejillas con un paño suave y seco.



## PARA DESINFECTAR LA UNIDAD

- 10) Llenar la botella de agua y el canal del agua con una mezcla de una cucharadita de blanqueador de cloro con un galón (3,8 litros) de agua. Dejar reposar la solución por 20 minutos, revolviendo cada cierto tiempo. Mojar todas las superficies.
- 11) Desocupar la botella de agua y el canal del agua después de 20 minutos. Enjuagar con agua hasta que el olor del blanqueador se vaya. Secar con un paño limpio.
- 12) La parte exterior de la botella de agua puede limpiarse con un paño suave humedecido con agua fresca.



## REENSAMBLAJE

- 13) Volver a colocar la mecha vaporizadora en el canal de agua de la base. Ver la sección CONTROLES Y OPERACIÓN.
- 14) Colocar la parte superior de la caja directamente sobre la base. Bajarla cuidadosamente en la base y alinear las paredes de la base con las de la parte superior de la caja. La parte superior de la caja debe descansar sobre la repisa dentro de la base y asentarse firmemente en la parte inferior de la caja.
- 15) Volver a colocar el filtro limpiador de aire (si se incluye). Ver la sección VOLVER A COLOCAR EL FILTRO LIMPIADOR DE AIRE.
- 16) Volver a colocar el humidificador en el lugar deseado.
- 17) Volver a llenar y colocar la botella de agua. Consultar la sección LLENADO DE LA BOTELLA DE AGUA para llenar la botella de agua e instalarla en el humidificador. Bajo ciertas condiciones, las impurezas de agua pueden acelerar el desarrollo de bacterias en la botella de agua. Cuando se llene la botella de agua recomendamos usar un bactericida como el Tratamiento para Bacterias Bemis by Essick Air. Seguir las instrucciones que trae el bactericida.
- 18) Enchufar la unidad y arrancarla.

## REEMPLAZO DE LA MECHA VAPORIZADORA Y EL FILTRO DE AIRE

Recomendamos cambiar las mechas vaporizadoras por lo menos una vez en cada temporada, y con más frecuencia en zonas con agua dura. Cuando las mechas vaporizadoras aparenten estar excesivamente obstruidas con depósitos minerales, desecharlas para recuperar la eficiencia del humidificador con una mecha nueva. El repuesto de la mecha vaporizadora es el Modelo #SGL1040, y el repuesto del filtro de aire es el Modelo #1052. (Llamar al 1-800-547-3888 para ordenarlos).

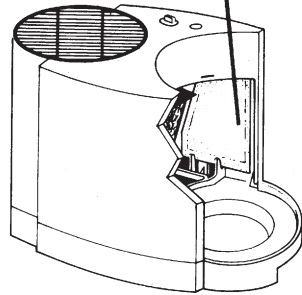
Sólo los filtros vaporizadores Bemis by Essick Air garantizan la capacidad certificada del humidificador. El uso de mechas vaporizadoras que no sean Bemis by Essick Air anulará la garantía y no permitirán alcanzar la eficiencia certificada del humidificador.

# LIMPIEZA Y REEMPLAZO DEL FILTRO LIMPIADOR DE AIRE (SI ESTUVIESE INSTALADO)

El filtro limpiador de aire continuamente elimina partículas y olor a medida que el aire de la habitación recircula durante la operación normal del humidificador. En un periodo de tiempo, todo el aire de la habitación recircula y se limpia.

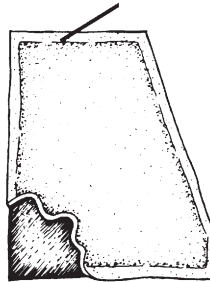
- 1) Apagar la unidad y desenchufar el cable.
- 2) Usando ambas manos, retirar la botella de agua del humidificador y colocarla con la tapamhacia arriba en un lugar seguro.
- 3) Ubicar el filtro limpiador de aire montado detrás de la rejilla de entrada de aire en la parte posterior del humidificador. El filtro limpiador de aire es flexible. Colocar un dedo debajo del borde inferior y levantar para abrir las lengüetas en la base. Jalar hacia abajo y hacia afuera.

**Filtro Limpiador de Aire**

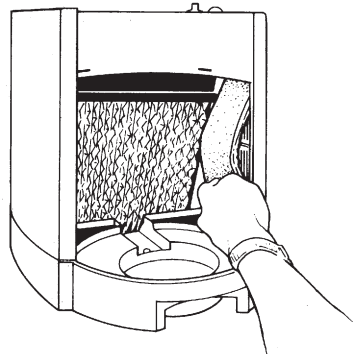


- 4) Inspeccionar el filtro limpiador de aire. Este es un dispositivo de dos etapas. La parte esponjosa blanca es un filtro de partículas con carga electrostática para retener polvo y partículas pequeñas. La parte interior negra es un filtro grueso de carbón activado para eliminar olores.
- 5) Un filtro limpio es importante para mantener la eficiencia. Observar la cantidad de contaminante en el lado blanco electrostático del filtro. Si hay una capa visible de polvo acumulado, se debe limpiar o reemplazar el filtro.

**Borde superior**



- 6) Se recomienda reemplazar el filtro limpiador de aire al menos una vez cada temporada de humidificación. El filtro limpiador de aire puede limpiarse cuidadosamente con una escobilla de cerdas suaves. Se debe cuidar de no separar el área pegada alrededor del borde del filtro. La limpieza frecuente alargará la vida del filtro.



- 7) Para reemplazar el filtro limpiador de aire, deslizar el borde superior en la ranura sobre la rejilla de entrada. Doblar el filtro hacia afuera hasta que la brida inferior pueda insertarse en las lengüetas ranuradas en la base. Presionar en el centro del filtro para moverlo a su posición que es contra el interior de la rejilla de entrada. Deslizar el resto del filtro hasta que el borde en ángulo esté en contacto con la pared de la rejilla angulada.

# Identificación de Problemas

## 1) La unidad no opera a ninguna velocidad seleccionada.

- Insertar el cable polarizado completamente en el tomacorriente de la pared. Girar el control automático de humedad completamente en el sentido del reloj.
- Verificar la vía del flujo de aire. ¿Hay obstrucciones que impidan el movimiento de las aspas del ventilador?
- El motor contiene un fusible sensible a la temperatura. Si el motor se sobrecalienta, el fusible puede saltar. Desenchufar la unidad y ponerse en contacto con la estación de servicio autorizada más cercana. NO INTENTAR reparar el motor usted mismo.

## 2) No hay suficiente humedad:

- Este es un humidificador vaporizador: La humedad es invisible.
- Verificar la condición de la mecha vaporizadora y del filtro limpiador de aire. Reemplazarlos si están obstruidos.
- La botella de agua puede estar vacía rellenarla.
- El control automático de humedad puede estar regulado para un nivel demasiado bajo. Regularlo a un nivel mayor de humedad girándolo en el sentido del reloj.

## 3) Demasiada humedad:

- Cuando hay demasiada condensación en las superficies frías de la habitación, regular la unidad a una velocidad más baja girando el control contra el sentido del reloj, o aumentar la temperatura de la habitación.

## 4) El agua no fluye fuera de la botella:

- Después de llenar la botella de agua y colocarla en el humidificador, el agua puede no fluir en el canal si el humidificador estaba funcionando en seco. Inclinarse varias veces de manera que la válvula se abra y cierre. Ésto iniciará el flujo de agua.

## 5) Fuga en la botella de agua:

- Si hay fugas por la tapa después del llenado, quitar la tapa e inspeccionar el borde de la botella y la empaquetadura de espuma de la tapa. Retirar los depósitos minerales del borde de la botella y de la empaquetadura de la tapa. Ajustar la tapa fuerte.
- Si hay fugas por la válvula de agua alrededor del tope de caucho después de haberse llenado, desocupar la botella de agua e inspeccionar el tope. Las partículas minerales pueden impedir el cierre completo. Limpiar el tope. Si la fuga persiste, puede ser necesario cambiar el tope. Ponerse en contacto con su centro de servicio o con el servicio al cliente de Bemis by Essick Air para que lo ayuden.

**NOTA: La botella de agua debe cerrar en forma HERMÉTICA. El canal de agua se rebalsará si se filtra aire dentro de la botella por la tapa suelta o por una rajadura. Un tope con fuga no afectará el funcionamiento apropiado de la botella de agua después que sea instalada en el humidificador.**

**PRECAUCIÓN: Desenchufar de la corriente eléctrica antes de limpiar o dar servicio.**

**CUIDADO: La parte superior de la caja no contiene piezas que pueda reparar el cliente. Para reducir el riesgo de choque eléctrico, no intentar abrir la cubierta del cableado.**



**Las reparaciones eléctricas deben ser efectuadas por un centro de servicio autorizado. Los intentos de reparar o reemplazar componentes eléctricos anularán su garantía.**

## **MANTENIMIENTO AL FINAL DE LA TEMPORADA**

**Cuidado: Desconectar la corriente eléctrica antes de limpiar o dar servicio.**

1. Cuando el humidificador no vaya a usarse por una semana o más, seguir las instrucciones para el mantenimiento semanal.
2. Al final de la temporada que se usa el humidificar, desechar las mechas vaporizadoras y los filtros limpiadores de aire.
3. El humidificador debe limpiarse, desinfectarse y secarse completamente antes de guardarse. No guardarlo con agua en las botellas ni en la bandeja.
4. Almacenar en un lugar fresco y seco.

## **Autoadhesivos para adherencia estática**

El modelo 726 905 viene con una hoja autoadhesiva para la adherencia estática. Ella permite a los niños personalizar su humidificador. Los autoadhesivos deben usarse bajo la supervisión de un adulto y no son recomendados para niños menores de tres años. Los autoadhesivos son reutilizables.



BY **ESSICK** 

## **DIVISIÓN DE CONFORT PARA EL HOGAR GARANTÍA LIMITADA DE UN AÑO**

La garantía del Humidificador Bemis by Essick Air cubre defectos de materiales y de mano de obra por un período de un año a partir de la fecha de compra al por menor. Esta garantía se aplica únicamente al comprador original del producto.

Dentro de los primeros 12 meses a partir de la fecha de compra, Essick Air reparará o reemplazará, a su discreción, cualquier parte defectuosa del humidificador cubierto por esta garantía.

Esta garantía le otorga derechos legales específicos, y usted podría tener otros derechos los cuales varían de un estado a otro y de una provincia a otra.

Esta garantía no cubre los daños ocasionados por mal uso o abuso del humidificador, accidentes o alteraciones al producto, uso comercial o daño durante el envío. El mal uso incluye los malos funcionamientos ocasionados por negligencia en el procedimiento de limpieza, o partes obstruidas con depósitos minerales debido a la presencia de condiciones de agua dura. Las alteraciones al producto incluyen la sustitución de componentes con otros de marca diferente a Bemis by Essick Air, incluyendo pero no limitándose a los filtros/mecha vaporizadores.

Si es necesario hacerle servicio, llevar o enviar la unidad a cualquier Estación de Servicio Bemis by Essick Air.



**Essick Air Products, Inc.**

5800 Murray Street  
Little Rock, AR 72209  
501.562.1094



# FORMULARIO PARA ORDENAR ACCESORIOS

Para mantener su humidificador en condiciones óptimas de operación, use sólo repuestos Bemis by Essick Air. Sólo las mechas de repuesto Bemis by Essick Air garantizan que su humidificador mantenga la capacidad original certificada por AHAM.

No. 1044  
Mecha Filtrante de Repuesto  
para Humidificadores de Mesa  
Serie 900  
\$ 5.49

No. 1052SGL  
Filtro de Aire para  
Humidificadores de Mesa  
Serie 700  
\$ 5.99

No. H7000  
Forro Antipolvo para  
Humidificadores  
Serie 700  
\$ 4.99

No. 1050  
Filtro de Aire para Humidificadores  
de Mesa Serie 500  
\$ 7.99

No. SGL1040  
Paquete de Mechas individual  
para Humidificadores de Mesa  
de las Series 300, 500 y 700  
\$ 7.49

No. 1990  
Hidrómetro Digital/Sensor de Confort  
\$ 25.99  
- Monitorea en Forma Digital la  
Temperatura y Humedad.

No. 1040  
Paquete de dos Mechas  
para Humidificadores de  
Mesa Series 300, 500 y 700  
\$ 12.99


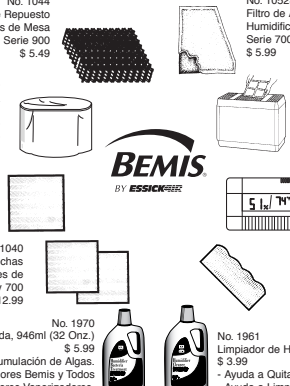
No. 1053  
Filtro de Aire para Humidificadores de  
Mesa de la Serie 300  
\$12.99

No. 1970  
Bactericida, 946ml (32 Onz.)  
\$ 5.99

No. 1961  
Limpiador de Humidificadores, 946ml (32 Onz.)  
\$ 3.99

- Ayuda a Eliminar la Bacteria y la Aacumulación de Algas.  
- Se Recomienda para los Humidificadores Bemis y Todos  
los Otros Humidificadores Vaporizadores.

- Ayuda a Quitar el Sarro Acumulado.  
- Ayuda a Limpiar el Humidificador.

Art.	Descripción	Cant.	Unidad Precio	Monto
1040	Paquete de dos Mechas para Humidificadores de mesa Series 300, 500 y 700		\$ 12.99	
SGL1040	Paquete de Mechas Individual para Humidificadores de Mesa Series 300, 500 y 700		\$ 7.49	
1044	Mecha Filtrante de Repuesto para Humidificadores de Mesa Serie 900		\$ 5.49	
1050	Filtro de Aire para Humidificadores de Mesa de la Serie 500		\$ 7.99	
1052SGL	Filtro de Aire para Humidificadores de Mesa de la Serie 700		\$ 5.99	
1053	Filtro de Aire para Humidificadores de Mesa de la Serie 300		\$ 12.99	
1961	Limpiador de Humidificadores, 946ml (32 Onz.)		\$ 3.99	
1970	Bactericida, 946ml (32 Onz.)		\$ 5.99	
H7000	Forro Antipolvo para Humidificadores Serie 700		\$ 4.99	
1990	Hidrómetro Digital/Sensor de Confort		\$ 25.99	

Tarifas para despachos	
\$0.00 - 19.99 . . .	\$4.00
\$20.00 - 49.99 . . .	\$6.00
\$50.00 - 99.99 . . .	\$8.00
\$100.00+ . . .	\$10.00

Total por la mercadería \_\_\_\_\_

Residentes de CT agregar impuesto de 6% \_\_\_\_\_

Flete y Manipuleo \_\_\_\_\_

Total de la factura \_\_\_\_\_

Source Code	Revised
BEM 120	05/04/2004

Nombre: \_\_\_\_\_

Dirección: \_\_\_\_\_

Ciudad: \_\_\_\_\_ Estado/Prov.: \_\_\_\_\_ Cod. Postal \_\_\_\_\_

Numero de teléfono: \_\_\_\_\_

Correo-e: \_\_\_\_\_

Ajunto mi:  Cheque u órden de Pago (en moneda de EE.UU.) a la orden de:  
**BEMIS BY ESSICK AIR**

Visa/MasterCard  American Express  Discover

Tarjeta No.: \_\_\_\_\_

Firma: \_\_\_\_\_

Fecha de Expiración: \_\_\_\_\_

Órdenes por internet: [www.bemis-parts-store.com](http://www.bemis-parts-store.com)

Órdenes por teléfono: • Llamar gratis al 1-800-547-3888  
• Órdenes mínimas de \$15.00

Órdenes por correo: **BEMIS BY ESSICK AIR CONSUMER SERVICES**  
20 Constitution Boulevard, South  
P.O. Box 884  
Shelton, CT 06484-0884

Las órdenes se despachan dentro de las 24 horas.  
Para fuera de los EE.UU. Continental, llamar a preguntar por los cargos por flete.

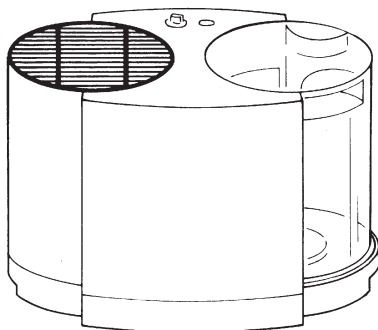


LIRE ATTENTIVEMENT CES DIRECTIVES  
ET LES CONSERVER.

**BEMIS**  
BY **ESSICK**

**Humidificateur  
évaporateur**

# GUIDE D'UTILISATION ET D'ENTRETIEN DU PROPRIÉTAIRE



## Modèles :

- 726 000 Deux vitesses ave  
& récipient d'eau amovible
- 726 905 (filtre à air optionnel; voir  
bon de commande)
- 737 600 3 vitesses avec récipient  
d'eau amovible, filtre à  
air et lampe-témoin de  
mise en marche.
- 736 200 3 vitesses avec récipient  
d'eau amovible, hygrostat  
automatique, filtre Air  
Care optionnel (voir bon  
de commande).

**BEMIS**  
BY **ESSICK**



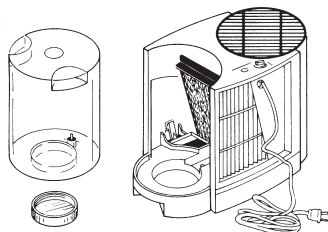
PROTÉGER L'ENVIRONNEMENT  
RECYCLER LES MATIÈRES APPROPRIÉES.

Brevets : 5,037,583; 5,110,511; 5,133,904  
Autres brevets en instance.

# Mesures de sécurité importantes

## LIRE ATTENTIVEMENT AVANT D'UTILISER L'HUMIDIFICATEUR

- 1) Cet appareil est muni d'une fiche polarisée (une lame est plus large que l'autre). Pour réduire les risques de chocs électriques, cette fiche a été conçue pour s'insérer, d'une seule façon, dans une prise polarisée de 120 volts c.a., d'une puissance de 15 ampères. Si la fiche ne s'insère pas complètement dans la prise, retourner la fiche. Si elle ne s'insère toujours pas, communiquer avec un électricien qualifié. Ne pas tenter de contourner cette caractéristique de sécurité. Si l'utilisation d'une rallonge est nécessaire, celle-ci doit également accepter la lame large de la fiche et se conformer aux valeurs nominales d'électricité mentionnées.  
**Modèle 726 905** - Cet appareil est doté d'une fiche plate à conception exclusive avec veilleuse incorporée. Cette caractéristique offre une mesure de sécurité supplémentaire dans une chambre d'enfant parce cette fiche est plus difficile à saisir et à débrancher. Le voyant lumineux vous avertit lorsque l'appareil est branché dans la prise électrique et agit également comme veilleuse. De plus, la forme de la fiche plate la rend plus compacte et permet ainsi l'utilisation dans une prise qui se situe derrière une table de chevet ou derrière d'autres meubles.
- 2) Ne pas placer le cordon électrique sous un tapis, dans un endroit passant ou près d'une source de chaleur.
- 3) Ne pas utiliser l'humidificateur si le cordon est endommagé.
- 4) Débrancher toujours l'appareil avant de le nettoyer, de l'entretenir ou lorsqu'il n'est pas en fonction.
- 5) Débrancher l'humidificateur et enlever le récipient d'eau avant de déplacer l'appareil.
- 6) Ne pas placer l'humidificateur près de rideaux longs, de matières combustibles ou d'objets dégageant de la chaleur.
- 7) Placer toujours l'humidificateur sur une surface dure, à niveau, là où il n'y a pas de risque de se heurter contre l'appareil. Ne pas placer sur un tapis épais.
- 8) NE PAS FAIRE FONCTIONNER L'APPAREIL SANS QUE LA BASE N'Y SOIT FIXÉE.
- 9) Cet humidificateur est approuvé par le UL avec les filtres à mèche d'évaporation de marque Bemis by Essick Air en place. Pour maintenir l'homologation UL de l'appareil, se rendre au centre de service de la région pour toute réparation. Pour conserver les caractéristiques techniques générales certifiées, n'utiliser en remplacement que les produits chimiques et les filtres à mèche de marque Bemis by Essick Air. Pour placer une commande de pièces, de filtres à mèche ou de produits chimiques, composer le 1-800-547-3888.
- 10) Un nettoyage régulier est recommandé. Consulter le chapitre portant sur les SOINS ET ENTRETIEN de l'appareil dans ce guide.



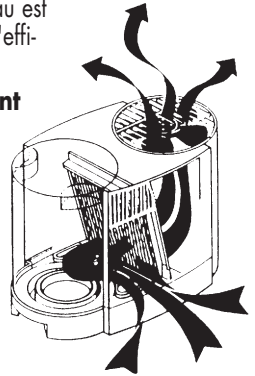
# Introduction

Cet humidificateur est conçu pour fournir un soulagement des maux causés par l'air sec dans des endroits particuliers tels que les chambres à coucher, les boudoirs et autres pièces où il y a un besoin d'humidité. Cet appareil n'est pas conçu pour humidifier toute une maison.

L'humidificateur évaporateur de Bemis by Essick Air ajoute une humidité invisible dans la maison en faisant passer l'air sec à travers un filtre à mèche saturé d'eau. Au fur et à mesure que l'air passe à travers le filtre à mèche, l'eau s'évapore dans l'air en laissant derrière toutes poussières blanches, minéraux et solides dissous ou en suspension. Étant donné que l'eau est évaporée, il n'y a aucune vaporisation d'eau ni bruines salissantes et aucunes poussières blanches; il n'y a que de l'air humidifié, propre et invisible.

Au fur et à mesure que le filtre à mèche d'évaporation emprisonne et accumule les minéraux contenus dans l'eau, sa capacité d'absorption et d'évaporation diminue. Nous recommandons de changer le filtre à mèche au moins une fois par an; de préférence, en éliminant le filtre à mèche usé à la fin de la saison d'humidification et en commençant la saison d'humidification suivante avec un nouveau filtre à mèche. Dans les régions où l'eau est dure, un remplacement plus fréquent peut être nécessaire pour maintenir l'efficacité de l'humidificateur.

**Mise en garde : Nous recommandons l'utilisation du traitement contre les bactéries Bemis by Essick Air Bacteria Treatment à chaque remplissage du récipient d'eau afin d'éliminer la croissance éventuelle des bactéries. Suivre les directives pour déterminer la quantité appropriée à ajouter au récipient d'eau de 6,63 L (1 3/4 gallon). Le filtre à mèche ne requiert pas l'emploi de traitements de l'eau du genre utilisant des agents de chélation qui sont conçus pour une utilisation dans les humidificateurs munis d'un centrifugeur ou d'une roue hydraulique.**



## Des trucs pour un meilleur rendement

- 1) Ne pas bloquer les bouches d'entrée ou de sortie d'air. Garder les surfaces propres autour de la grille.
- 2) Placer l'humidificateur à 10,2 cm (4 po) au moins de tout mur et dans un endroit éloigné de toute bouche de chaleur pour plinthe.
- 3) Un nettoyage régulier de l'humidificateur est recommandé. Suivre les directives sur les SOINS ET ENTRETIEN qui se trouvent dans ce guide.
- 4) Remplacez régulièrement le filtre Air Care optionnel ; de préférence, une fois l'an.
- 5) Changer le filtre à mèche d'évaporation au moins une fois par an. Dans les régions où l'eau est extrêmement dure, un remplacement plus fréquent peut être nécessaire. Seule l'utilisation de filtres à mèche Bemis garantit le rendement à la sortie certifié de l'humidificateur.

- 6) Utiliser un bactériostat, tel que le traitement contre les bactéries Bemis by Essick Air Bacteria Treatment - numéro d'enregistrement de l'EPA : 1970, ou Bemis by Essick Air Bacteria Treatment no : 1970CN - enregistré au ministère de la Protection de l'Environnement (Environnement Canada), à chaque remplissage des récipients d'eau pour éliminer la croissance éventuelle des bactéries. Pour placer une commande de filtres à air Air Care®, de filtres à mèche d'évaporation ou du traitement contre les bactéries, composer le 1-800-547-3888 ou utiliser le bon de commande situé à la fin de ce guide.
- 7) Ne pas utiliser de produits de traitement de l'eau conçus pour les humidificateurs munis d'un centrifugeur, d'une roue hydraulique, d'un tambour ou les humidificateurs ultrasoniques. Ces produits peuvent rendre le filtre à mèche inefficace.

## Réglage et Fonctionnement

- 1) L'humidificateur doit être placé à 10,2 CM (4 po) de tout mur et loin de toute bouche d'air chaud. Ne pas placer sur un tapis épais. Un débit d'air libre qui entre dans l'appareil assure une meilleure efficacité de rendement.
- 2) Les modèles 726 000 et 726 905 ont un moteur à deux vitesses et les modèles 736 200 et 737 6000 ont un moteur à 3 vitesses. Tournez le bouton pour choisir le mode de fonctionnement voulu. Plus la vitesse du moteur est élevée, plus le débit d'air est élevé et plus grande est la quantité d'humidité libérée. La durée de service par remplissage varie selon l'humidité de la pièce, la vitesse réglée et l'état du filtre à évaporation.

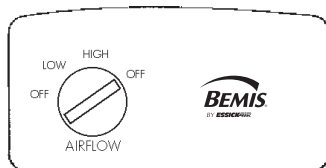


Schéma 1

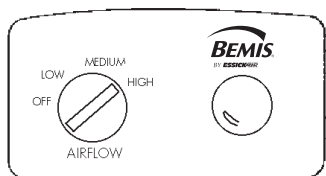


Schéma 2



3) Tous les modèles ont un mode silencieux LOW qui réduit le débit d'air durant le fonctionnement de nuit dans une chambre à coucher ou lorsque les conditions ne requièrent pas un plein rendement à la sortie. Le modèle 737 600 est muni d'une lampe-témoin pour rappeler que l'appareil est en marche. L'intensité de la luminosité de la lampe-témoin varie selon la vitesse du moteur.

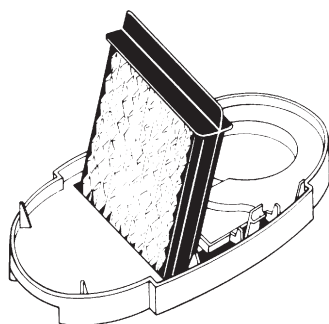
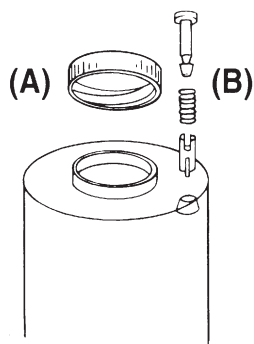
4- Le modèle 736 200 est aussi muni d'un hygrostat automatique. (Le bouton de contrôle de l'hygrostat est situé sur le côté gauche.) L'hygrostat met l'humidificateur en marche lorsque le taux d'humidité relative de la maison est inférieur à la valeur établie sur l'hygrostat et éteint l'humidificateur lorsque le taux d'humidité relative atteint la valeur établie de l'hygrostat. Pour la mise en marche initiale, réglez l'hygrostat au centre et ajustez en augmentant ou en réduisant à partir de ce point pour atteindre le taux d'humidité voulu.

5) Retirer un récipient d'eau, vérifier le bouchon du récipient d'eau A) et repérer le mécanisme de la tige du clapet B). Le bouchon peut être enlevé pour le remplissage et pour faciliter l'accès au nettoyage qui peut être fait à l'aide d'une brosse à poils souples munie d'un manche long. Le clapet fournit une quantité contrôlée d'eau à la conduite d'eau et au filtre à mèche. Ne pas tenter d'augmenter le débit d'eau en modifiant le clapet ou en ajoutant des perforations aux récipients d'eau. Autrement, cette modification annule la garantie et peut causer des dégâts d'eau dans la maison. REMARQUES : Le niveau d'eau peut être facilement vérifié à travers les récipients d'eau aux parois teintées. Il est temps de remplir les récipients d'eau lorsque leur niveau d'eau est à 2,54 cm (1 po) ou moins de la base.

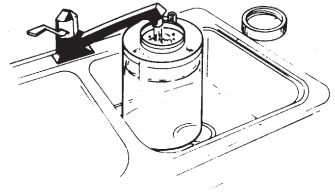
6) Avant de procéder, s'assurer que le filtre à mèche repose complètement dans la conduite d'eau (voir le schéma). Consulter le chapitre portant sur les SOINS ET ENTRETIEN pour l'enlèvement du filtre à mèche au nettoyage et à l'entretien de l'appareil.

7) Certains modèles se caractérisent par un filtre à air à deux étapes qui se fixe à l'intérieur, près de la grille d'admission; le filtre purifie l'air tout en fournissant de l'humidité. Consulter le chapitre portant sur les SOINS ET ENTRETIEN pour l'installation et l'enlèvement du filtre à air à deux étapes.

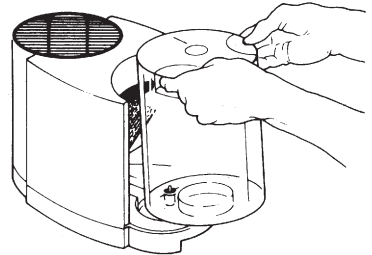
8) Apporter le récipient d'eau à un évier, une cuvette de lavage ou la baignoire. Prendre des précautions en manipulant le récipient d'eau. Prendre garde de ne l'échapper par crainte de le briser. Retourner le récipient d'eau à l'envers et retirer le bouchon à filaments. Vidanger toute eau contenue dans le récipient d'eau, bien le rincer et l'essuyer avec un chiffon avant d'ajouter de l'eau fraîche.



9) Pour ajouter de l'eau, placer un chiffon doux au fond de l'évier et mettre le récipient d'eau sur le chiffon. Faire couler le robinet d'eau froide et maintenir le récipient d'eau bien stable lors du remplissage. Le récipient d'eau peut contenir 6,63 L (1 3/4 gallon) Ne pas trop le remplir. Une fois plein, déposer le soigneusement sur une surface plane et protégée et essuyer le récipient d'eau à l'aide d'un chiffon doux et sec. Revisser le bouchon et bien le serrer. Utiliser les deux mains en rapportant le récipient d'eau à l'humidificateur.



10) Retourner le récipient d'eau à l'endroit en le maintenant par les poignées situées sur le dessus du récipient d'eau. Replacer soigneusement le récipient d'eau dans l'espace renforcée. Le dessus du récipient d'eau doit être à la même hauteur que le dessus de l'humidificateur.



- 11) Lorsque le récipient d'eau est bien en place, le clapet ouvre et permet l'écoulement de l'eau dans la conduite d'eau. Le niveau d'eau demeure automatiquement à la hauteur du pointeau situé dans la conduite d'eau et ce, jusqu'à ce que le récipient d'eau soit vide.
- 12) Étendre le cordon électrique et le vérifier pour s'assurer qu'il n'est pas endommagé. Ne pas utiliser l'appareil si le cordon est endommagé. Brancher le cordon dans une fiche polarisée de 120 volts c.a.
- 13) Tourner le bouton de réglage, situé à droite, à la vitesse voulue. L'air humide, fraîche et invisible, se dégagera de la grille de sortie. La grille de sortie est munie de volets et peut effectuer une rotation de 360 degrés vous permettant ainsi de diriger le débit d'air dans la direction voulue.

**MISE EN GARDE : Dans certaines conditions, les objets froids dans la pièce, tels que les fenêtres et les murs extérieurs, peuvent provoquer la condensation de l'humidité. Une forte condensation sur les rebords de fenêtres et les murs peut causer des dégâts d'eau. Dans de telles conditions, un réglage à une vitesse inférieure est recommandé. Remarque : L'appareil ne s'arrête pas automatiquement lorsque les récipients sont vides; toutefois, le fonctionnement de l'humidificateur à vide n'endommage pas l'appareil.**

# Soins et Entretien

Les humidificateurs fournissent le confort en ajoutant de l'humidité à l'air sec d'une pièce chauffée. Afin de tirer un maximum d'avantages de l'humidificateur et d'éviter une mauvaise utilisation du produit, suivre attentivement les directives particulièrement celles qui portent sur le fonctionnement, les soins et l'entretien de l'appareil. Il est à noter que l'humidificateur est un appareil électrique; par conséquent, il doit être utilisé avec précautions.

De plus, le fait de ne pas suivre les directives recommandées dans les Soins et Entretien de l'appareil risque de favoriser la croissance de micro-organismes dans le récipient d'eau de l'humidificateur.

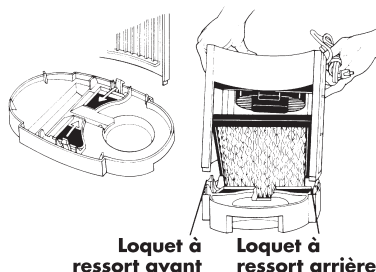
## NETTOYAGE DE LA BASE ET REMPLACEMENT DU FILTRE À MÈCHE

**Mise en garde : Débrancher l'appareil avant tout nettoyage ou entretien.**

**IMPORTANT : Nous recommandons de nettoyer l'humidificateur au moins une fois par semaine. Suivre les directives.**

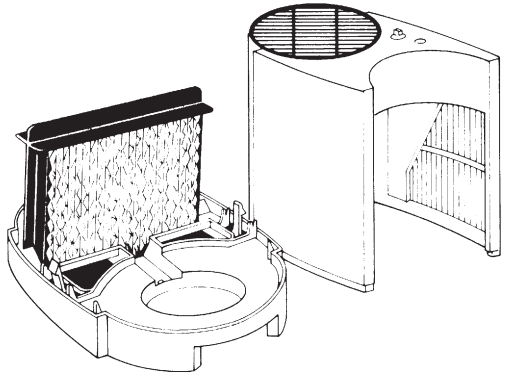
Le fait de nettoyer régulièrement l'humidificateur aide à éliminer les odeurs et la croissance de bactéries et de fungus. Normalement, l'eau de javel est un bon désinfectant et peut être utilisé pour essuyer la base et le récipient d'eau après nettoyage.

- 1) Éteindre l'appareil et le débrancher.
- 2) En utilisant les deux mains, enlever le récipient d'eau de l'humidificateur et le placer dans un endroit sûr, le bouchon sur le dessus.
- 3) Retirer le filtre à air, le cas échéant. Voir NETTOYAGE ET REMPLACEMENT DU FILTRE À AIR.
- 4) Localiser les deux loquets à ressort internes, l'un situé à l'avant et l'autre, à l'arrière de la base. Le fait de dégager ces loquets permet d'enlever le dessus du boîtier. Tendre le loquet arrière et soulever l'arrière du dessus du boîtier en libérant celui-ci suffisamment de la base pour le dégager complètement du loquet. Tendre le loquet avant et retirer complètement le dessus du boîtier de la base. Placer le dessus du boîtier sur une surface plane.



## DÉTARTRAGE

- 5) La base, avec l'eau dans a conduite d'eau, peut être transportée dans l'évier. Retirer le filtre à mèche de la base en laissant l'excès d'eau dans le filtre à mèche s'écouler dans la conduite.
- 6) Ne rincer le filtre à mèche que sous une eau fraîche seulement. Ne pas utiliser de savon, de détergent ni d'autres nettoyeurs. Laisser le s'égoutter dans l'évier.
- 7) Vider l'eau de la base et du récipient d'eau. Remplir la conduite d'eau et le récipient d'eau avec une tasse (8 oz) de vinaigre blanc pur. Laisser agir pendant 20 minutes.
- 8) Mouiller un chiffon doux avec du vinaigre blanc pur et essuyer le récipient d'eau et la conduite d'eau pour enlever le calcaire. Ne pas utiliser de nettoyeurs ni de tampons abrasifs. Bien rincer le récipient d'eau et la conduite d'eau avec de l'eau fraîche pour enlever le calcaire et la solution nettoyante avant de désinfecter.
- 9) Nettoyer toutes les surfaces internes avec une brosse à poils souples. Nettoyer le dessus du boîtier délicatement à l'aide d'un chiffon sec et doux. Ne jamais utiliser de nettoyeurs abrasifs. Vérifier les grilles d'admission et de sortie d'air. Nettoyer les événements de la grille à l'aide d'un chiffon doux et sec s'il y a accumulation de poussières.



## DÉSINFECTION DE L'APPAREIL

- 10) Remplir le récipient d'eau et la conduite d'eau avec une solution comprenant 1 c. à thé d'eau de javel dans 3,79 L (1 gallon) d'eau. Laisser agir la solution pendant 20 minutes, en remuant de temps à autre. Mouiller toutes les surfaces.
- 11) Vider le récipient d'eau et la conduite d'eau après 20 minutes. Rincer avec de l'eau jusqu'à ce que l'odeur de l'eau de javel soit disparue. Essuyer avec un chiffon propre.
- 12) Les parois extérieures du récipient d'eau peuvent être essuyées à l'aide d'un chiffon doux mouillé avec de l'eau fraîche.



## RÉ-ASSEMBLAGE

- 13) Remettre le filtre à mèche dans la conduite d'eau située dans la base. Voir le chapitre portant sur les RÉGLAGE ET FONCTIONNEMENT.
- 14) Placer le dessus du boîtier directement sur la base. Abaisser le soigneusement sur la base tout en alignant la base et les parois du dessus du boîtier. Le dessus du boîtier doit reposer sur la tablette située à l'intérieur de la base et se fixer fermement à la base du boîtier.
- 15) Remettre le filtre à air (le cas échéant). Voir le chapitre portant sur le REMPLACEMENT DU FILTRE À AIR.
- 16) Retourner l'humidificateur à l'endroit voulu.
- 17) Remplir et replacer le récipient d'eau (consulter le chapitre sur le RÉGLAGE ET LE FONCTIONNEMENT). Dans certaines conditions, les impuretés peuvent accélérer la croissance des bactéries dans le récipient d'eau. Nous recommandons l'utilisation du traitement contre les bactéries Bemis by Essick Air Bacteria Treatment lorsque le récipient d'eau est rempli. Suivre les directives sur le bactériostat.
- 18) Brancher l'appareil et le mettre en marche.

## REMPACEMENT DE LA MÈCHE À ÉVAPORATION ET DU FILTRE À AIR.

Nous recommandons de remplacer la mèche à chaque saison au moins et plus souvent, dans les régions où l'eau est dure. Quand la mèche semble excessivement obstruée par des dépôts minéraux, jetez-la et remplacez la par une mèche neuve pour redonner à l'humidificateur son efficacité. Le modèle no : SGL1040 est la mèche à évaporation de rechange et le modèle no : 1052 est le filtre à air de rechange. (Pour placer une commande, composez le : 1-800-547-3888.)

Seuls les filtres de Bemis by Essick Air peuvent garantir le rendement à la sortie certifié de l'appareil. L'utilisation de mèches d'évaporation, autres que les mèches d'évaporation de Bemis by Essick Air, annule la garantie ainsi que la valeur nominale à la sortie certifiée et peut réduire l'efficacité et le rendement à la sortie de l'humidificateur.

## ÉTIQUETTES AUTOCOLLANTES

Une feuille d'étiquettes autocollante est fournie avec le modèle 726 905. Ces étiquettes peuvent être utilisées pour personnaliser l'appareil pour une chambre d'enfant. Toutefois, elles doivent pas être appliquées sous la supervision d'un adulte et elles ne doivent pas être utilisées par un enfant de moins de 3 ans. Les étiquettes sont réutilisables.

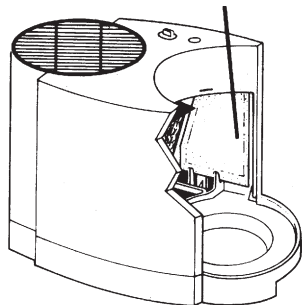
## NETTOYAGE ET REMPLACEMENT DU FILTRE À AIR NETTOYANT (SI INSTALLÉ)

Le filtre à air élimine continuellement les particules et les odeurs au fur et à mesure que l'air de la pièce circule dans l'appareil au cours du fonctionnement normal de l'humidificateur. Après une certaine période de temps, tout l'air de la pièce a passé dans l'appareil et a été ainsi purifié par le filtre à air.

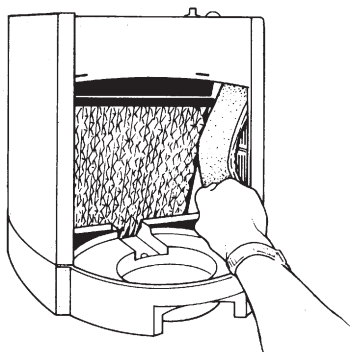
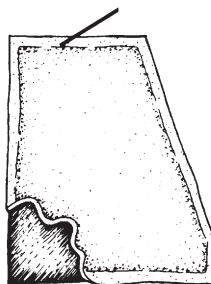
- 1) Fermer l'appareil et le débrancher.
- 2) En utilisant les deux mains, retirer le récipient d'eau de l'humidificateur et le placer dans un endroit sûr, le bouchon sur le dessus.
- 3) Localiser le filtre à air monté derrière la grille d'admission d'air à l'arrière de l'humidificateur. Le filtre à air est souple. Placer un doigt sous le rebord au bas du filtre et le soulever hors des pattes de la base. Tirer vers le bas puis retirer.
- 4) Vérifier le filtre à air. C'est un dispositif à deux étapes. Le médium blanc et duveteux est un filtre à particules chargées d'électricité statique servant à enlever les poussières et les petites particules. Le médium interne noir est un filtre épais de charbon actif servant à éliminer les odeurs.
- 5) Il est important que le filtre soit propre pour maintenir le rendement à la sortie. Vérifier le degré de souillures sur le côté électrostatique, de couleur blanche, du filtre. S'il y a une couche visible d'accumulation de poussières, le filtre doit être nettoyé ou remplacé.
- 6) Il est recommandé de remplacer le filtre à air au moins une fois par saison d'humidification. Le filtre à air peut être nettoyé délicatement à l'aide d'une brosse à poils souples. Faire attention de ne pas briser la surface qui est liée au rebord du filtre. Un nettoyage fréquent prolonge la vie utile du filtre à air.

- 7) Pour remettre le filtre à air, glisser le haut du filtre dans la fente au-dessus de la grille d'admission. Plier le filtre vers l'extérieur jusqu'à ce que le bas du filtre puisse être inséré dans la fente de la base. Pousser sur le centre du filtre pour le placer en position contre l'intérieur de la grille d'admission. Glisser le filtre vers la gauche jusqu'à ce que le bord coupé en biseau soit en contact avec la paroi coupée en biseau de la grille. Le côté blanc du filtre à air doit être vers l'extérieur de l'humidificateur

**Filtre à air**



**Haut du filtre**



# Guide de dépannage

## 1) L'appareil ne fonctionne pas quel que soit le réglage :

- La fiche polarisée doit être complètement insérée dans la prise murale.
- Vérifier le trajet du débit de l'air. Y a-t-il des obstructions qui empêchent le mouvement des pales du ventilateur?
- Le moteur comprend un fusible sensible à la chaleur. Si le moteur surchauffe, le fusible peut sauter. Débrancher l'appareil et communiquer avec un centre de réparation autorisé le plus proche. NE PAS TENTER de réparer soi-même le moteur.

## 2) Humidité insuffisante :

- Cet appareil est un humidificateur à évaporation. L'humidité est invisible.
- Vérifier l'état du filtre à mèche d'évaporation et du filtre à air. Le filtre à mèche d'évaporation doit être humide. S'il est sec, consulter le chapitre portant sur le Réglage et le Fonctionnement pour connaître la position correcte du filtre à mèche. Si le filtre à mèche est obstrué, le remplacer.
- Le récipient d'eau peut être vide - le remplir.

## 3) Trop d'humidité :

- Lorsque la condensation devient trop lourde sur les surfaces froides de la pièce, tourner le bouton de réglage de l'appareil à une vitesse inférieure ou augmenter la température de la pièce.

## 4) L'eau ne s'écoule pas du récipient d'eau :

- Après avoir rempli le récipient d'eau et l'avoir replacé dans l'humidificateur, il se peut que l'eau ne s'écoule pas dans la conduite si l'humidificateur a fonctionné à sec. Donner des petits coups secs sur le récipient d'eau à plusieurs reprises afin que le clapet s'ouvre et se referme. Cela fera activer le débit de l'eau.

## 5) Fuite du récipient d'eau :

- Si le bouchon fuit après remplissage, enlever le bouchon et vérifier le bord de l'ouverture du récipient d'eau et le joint d'étanchéité en caoutchouc du bouchon. Essuyer tout dépôt de minéraux sur le bord de l'ouverture du récipient d'eau et sur le joint d'étanchéité du bouchon. Bien resserrer le bouchon.
- Si le clapet de l'eau fuit autour du capuchon (ou bouchon d'arrêt) de caoutchouc après remplissage, vider le récipient d'eau et vérifier le capuchon. Les particules de minéraux peuvent empêcher la fermeture complète du capuchon. Nettoyer le capuchon. Si la fuite persiste, le remplacement du capuchon peut être nécessaire. Communiquer avec le centre de service ou le service à la Clientèle Bemis by Essick Air pour obtenir un soutien technique.

**REMARQUE : Le récipient d'eau doit être fermé hermétiquement. La conduite d'eau débordera si, en raison d'un bouchon mal fermé ou d'un récipient d'eau fissuré, de l'air s'infiltré dans le récipient d'eau durant le fonctionnement de l'appareil. Un capuchon ou bouchon d'arrêt de clapet qui accuse une fuite n'aura aucun effet nuisible sur le fonctionnement du récipient d'eau une fois que ce dernier est installé dans l'humidificateur.**

**Mise en garde : Débrancher l'appareil avant tout nettoyage ou entretien.**



**DIVISION DU CONFORT À LA MAISON  
GARANTIE LIMITÉE DE UN AN**

La garantie sur l'humidificateur Bemis by Essick Air porte sur tous défauts dans la matière ou la fabrication et ce, pour une période de un an, à compter de la date d'achat chez le détaillant. Cette garantie ne s'applique que pour l'acheteur d'origine de ce produit. Dans les 12 premiers mois de la date d'achat, Essick Air répare ou remplace, à sa discrétion, toute pièce défectueuse comprise dans cette garantie.

Cette garantie vous donne des droits particuliers. Il se peut que vous ayez d'autres droits qui varient d'un état à l'autre ou d'une province à l'autre.

Cette garantie ne couvre pas les dommages causés par une mauvaise utilisation, un emploi abusif, un accident ou des modifications portées sur le produit, une utilisation commerciale ou des dommages subis lors du transport. Une mauvaise utilisation comprend un mauvais fonctionnement de l'appareil dû à de la négligence dans le nettoyage ou à des pièces souillées de dépôts de minéraux en raison de la dureté de l'eau. Les modifications portées au produit comprennent la substitution pour des éléments autres que ceux de marque Bemis by Essick Air y compris, mais sans limiter, les filtres à mèche.

Pour toute réparation, apporter ou envoyer le produit à n'importe quel Centre de service Bemis by Essick Air.

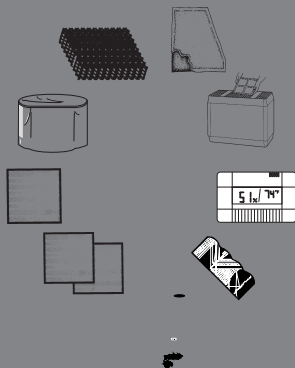


**Essick Air Products, Inc.**  
5800 Murray Street  
Little Rock, AR 72209  
501.562.1094



## BON DE COMMANDE POUR LES ACCESSOIRES

Pour maintenir votre humidificateur en excellente condition, n'utilisez que les pièces de rechange de Bemis by Essick Air. Seules les mèches de rechange de Bemis by Essick Air peuvent assurer que votre humidificateur maintienne sa capacité de rendement à la sortie qui est homologuée par l'AHAM.



Article no:	Description	Quant.	Prix	Coût
1040	Emballage jumelé de mèches pour humidificateurs de table de séries 300, 500 et 700		12,99 \$	
SGL1040	Emballage simple de mèche pour humidificateurs de table de séries 300, 500 et 700		7,49 \$	
1044	Filter à mèche de rechange pour humidificateurs de table de série 900		5,49 \$	
1050	Filter de purification d'air pour humidificateurs de table de série 500		7,99 \$	
1052SGL	Purificateur d'air pour humidificateurs de table de série 700		5,99 \$	
1053	Filter Air Cleaner pour les humidificateurs de table de série 300		12,99 \$	
1961	Nettoyeur pour tous humidificateurs, 946 mL (32 oz)		3,99 \$	
1970	Traitement contre les bactéries, 946 mL (32 oz)		5,99 \$	
H7000	Housse de protection contre la poussière pour l'été, pour humidificateurs de série 700		4,99 \$	
1990	Hygromètre numérique/Senseur Confort		25,99 \$	

Tarif d'expédition	
\$0.00 - 19.99 . . .	\$4.00
\$20.00 - 49.99 . . .	\$6.00
\$50.00 - 99.99 . . .	\$8.00
\$100.00+ . . . . .	\$10.00

COÛT TOTAL DE LA MARCHANDISE : \_\_\_\_\_

TAXE DE 6 % POUR LES RÉSIDENTS DU CT : \_\_\_\_\_

FRAIS DE TRANSPORT ET DE MANUTENTION : \_\_\_\_\_

MONTANT TOTAL DE LA FACTURE : \_\_\_\_\_

Source Code	Revised
BEM 120	05/04/2004

Nom : \_\_\_\_\_

Adresse : \_\_\_\_\_

Ville : \_\_\_\_\_ Province : \_\_\_\_\_ Code postal : \_\_\_\_\_

Tél No : \_\_\_\_\_

Adresse élect : \_\_\_\_\_

Vous trou verez ci-joint mon :  Chèque ou mandat poste (en devises américaines) à l'ordre de :

**BEMIS BY ESSICK AIR**

Visa/MasterCard       American Express       Discover

Carte no : \_\_\_\_\_

Signature : \_\_\_\_\_

Date d'échéance : \_\_\_\_\_

**Commandes sur le Web : [www.bemis-parts-store.com](http://www.bemis-parts-store.com)**

**Commande par téléphone :**

- Composez sans frais le : 1-800-547-3888
- Les commandes par téléphone doivent être d'un minimum de 15 \$.

**Commande par correspondance : BEMIS BY ESSICK AIR CONSUMER SERVICES**

20 Constitution Boulevard, South  
P.O. Box 884  
Shelton, CT 06484-0884

**LES COMMANDES SONT EXPÉDIÉES DANS LES 24 H.**

**À l'extérieur des É.-U., communiquez avec nous pour connaître les frais de fret.**



## **Authorized Repair and Service Stations**

For a list of service stations authorized to make both in-warranty and out-of-warranty repairs to Bemis by Essick Air humidifiers, go to the humidifier section of our web site <http://www.essickair.com> or e-mail: [info@essickair.com](mailto:info@essickair.com). Contact your local service station or retailer for accessories and parts. If unable to obtain them from your local source, call or write:

## **Estaciones Autorizadas para Reparaciones y Servicio**

Para una lista de estaciones servicio autorizadas para reparar humidificadores Bemis by Essick Air tanto bajo la garantía como fuera de ésta, visite la sección de humidificadores en nuestro sitio en la internet <http://www.essickair.com> or e-mail: [info@essickair.com](mailto:info@essickair.com) contáctese con la estación de servicio local o lugar de ventas al detalle de accesorios y repuestos. Si no le es posible obtenerla de sus fuentes locales, llámenos o escribanos a:

## **Centres autorisés pour réparations et service**

Pour obtenir une liste des centres de service autorisés à effectuer les réparations sous garantie et hors garantie des humidificateurs Bemis by Essick Air, rendez vous à la section « Humidificateurs » de notre site Web au <http://www.essickair.com> or e-mail: [info@essickair.com](mailto:info@essickair.com). Pour l'achat d'accessoires et de pièces, communiquez avec votre centre de service le plus près. S'il vous est impossible d'en faire l'achat auprès de votre ressource locale, appelez-nous ou écrivez-nous au:

### **Bemis by Essick Air Customer Service**

20 Constitution Boulevard, South  
P.O. Box 884  
Shelton, CT 06484-0884  
Phone: 800-547-3888



**Essick Air Products, Inc.**

5800 Murray Street  
Little Rock, AR 72209  
501.562.1094