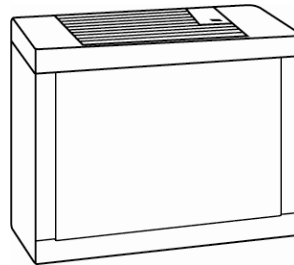


READ AND SAVE THESE INSTRUCTIONS



EVAPORATIVE HUMIDIFIER

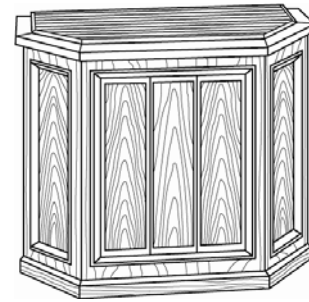
OWNERS CARE & USE MANUAL



400 Series

MODELS:

- 4D7 300, LT OAK- Variable speed
- 4D7 800, WHITE – Variable speed
- 447 302, CHERRY-TICKED- 4-Speed
- 427 300, OAK BURL – 2-Speed
- 696 400, LT OAK –Variable speed
- 697 500, CHERRY – Variable speed



600 Series

- **Automatic Humidistat**
- **Automatic Shutoff**
- **Quiet Setting for Nighttime use**
- **Easy to clean, removable power pack**

*French and Spanish
Instructions included.*

*Se incluyen instrucciones
En Español y Francés.*

*Directives en Français et en
espagnol compris*



**SAVE THE ENVIRONMENT
RECYCLE APPROPRIATE MATERIALS**

Patents: 5,037,583; 5,110,511; 5,133,904
Other Patents Pending

To order parts and accessories call **1-800-547-3888**

1B71506 4/06

IMPORTANT SAFEGUARDS

READ BEFORE USING YOUR HUMIDIFIER

- 1) This appliance has a polarized plug (one blade is wider than the other). To reduce the risk of electric shock, this plug is intended to fit into a polarized 120-volt AC, 15 amp outlet, and only one way. If the plug does not fit fully in the outlet, reverse the plug. If it still does not fit, contact a qualified electrician. Do not attempt to defeat this safety feature. If an extension cord must be used, it should also accept the wide blade plug and meet this electrical rating.
- 2) Do not place the cord under rugs, near loose drapes, in traffic areas, nor near heat sources or combustible materials.
- 3) **Do not use the humidifier if the cord is damaged.**
- 4) **Always unplug the power cord before filling, cleaning, servicing, or when the unit is not in use.**
- 5) This humidifier is UL listed with Essick Air brand evaporative wicks in place. To maintain your UL rating, see your service center for all repairs.
- 6) Regular cleaning is recommended. Refer to the CARE & MAINTENANCE section in the manual.

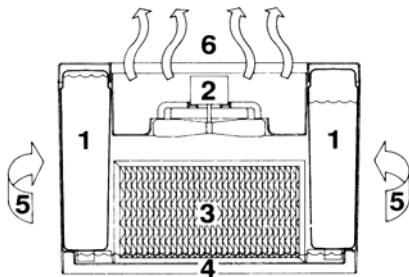
INTRODUCTION

Your Essick Air evaporative humidifier adds invisible moisture to your home by moving dry inlet air through a saturated wick. As air moves through the wick, the water evaporates into the air, leaving behind any white dust, minerals, or dissolved and suspended solids. Because the water is evaporated, there is just clean and invisible moist air.

As the evaporative wick traps accumulated minerals from the water, its ability to absorb and evaporate water decreases. We recommend changing the wick at the beginning of every season. In hard water areas, more frequent replacement may be necessary to maintain your humidifier's efficiency.

Use only Essick Air brand replacement wicks and chemicals. To order parts, wicks and chemicals call 1-800-547-3888. The 400 and 600 Series humidifiers use Essick Air wick # 1041 and air filter #1051. Only the Essick Air evaporative wick guarantees the certified output of your humidifier. Use of wicks other than Essick Air brand will void your warranty as well as the certification of output and may reduce the efficiency of your humidifier.

Dry air is drawn into the humidifier through the back and moisturized as it passes through the evaporative wick. It is then fanned out into the room.



- 1) Water bottles
- 2) Chassis/Power Pak (motor and fan assembly)
- 3) Evaporative wick
- 4) Water channel/tray
- 5) Dry room air intake
- 6) Moist air output

CAUTION: Do NOT position the unit directly in front of a hot air duct or radiator. Do NOT place on soft carpet.

ASSEMBLY, CONTROLS & OPERATION

- 1) Remove the two polyfoam inserts from the top of the humidifier.
- 2) Lift off the water bottle cover (left-hand side). Remove the water bottle, lift off the chassis/power pack and then remove the humidifier cabinet from the carton.
- 3) Remove the evaporative wick, float assembly (black rod with white float), and all of the remaining packaging materials from the cabinet. Check to see that you have all of the following items removed from the boxes accessory kit and cabinet before discarding the packaging:
 - o Filler hose
 - o Caster kit
 - o Bacterial treatment sample
 - o Two water bottles with caps
 - o Evaporative Wick
 - o Cord Set (400 Series only)
 - o Two End Covers
 - o Optional AirCare® filter #1051 (included in 697 and all 400 Series only)
May be purchased separately for other 696 model

IMPORTANT FILLING INFORMATION

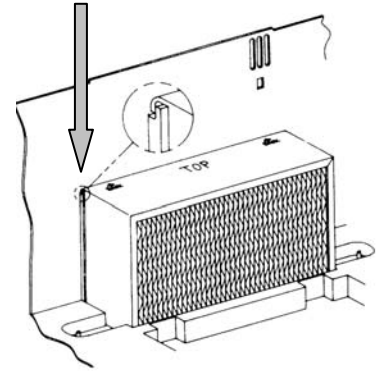
1. Your humidifier is equipped with two water bottles. When both the water bottle and reservoir have emptied, the humidifier fan will automatically shut off, but will start again automatically when the water bottle and reservoir are refilled.
2. When the bottle is being filled for the first time and the wick is still dry, it will take approximately 20 minutes to drain the bottle into the reservoir. After the bottle has emptied, it should be refilled again to obtain maximum running time.
3. When refilling the bottle and the wick is still wet, it will take approximately 12 minutes to refill the reservoir. At this time, you should refill the bottle for maximum running time.

CASTERS

- 4) Turn the emptied cabinet upside down. Insert each caster stem into the four caster holes on each corner of the humidifier bottom. The casters should fit snugly and be inserted until the stem shoulder reaches the cabinet surface. Do not force.
- 5) Turn the cabinet right side up.

EVAPORATIVE WICK

- 6) The wick has a mounting rib on the top edge which hooks over a rib at the inside back of the cabinet. This allows the wick to hang in the water channel (see illustration). Hang wick into cabinet as shown.



AIR CLEANING FILTER (OPTIONAL for 4D7, 427, 447, 697 models)

- 7) The AirCare filter has four tangs that engage into four keyhole slots that mount the AirCare filter onto the outside of the back of the cabinet.

CHASSIS/POWER PACK

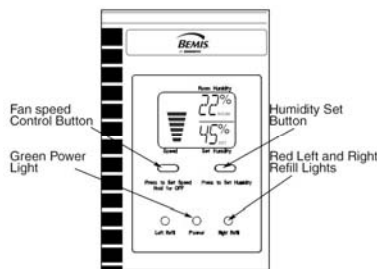
- 8) Place the chassis/power pack unit into the cabinet, so it fits without tipping or rocking.
- 9) Fill the bottle with cool, fresh (preferably unsoftened) water. If you only have softened water available in your home, you can use it, but you will notice a buildup of minerals on the wick much sooner.

The bottle holds 2.75 (400 Series) 2.6 (600 Series) gallons. When filling, be careful not to pressurize it by overfilling. Bottle damage can result from this. A fill hose is provided with your humidifier which will fit most faucets. Place the water bottle into the left side of the humidifier with the valve cap end down, so that the groove in the water bottle faces the inside. Replace the water bottle cover, and this will complete assembly.

NOTE: For optimum running time, fill the water bottle, tighten the cap, and place inside unit, allowing it to completely drain into the water reservoir. Then refill the bottles and replace the cabinet. Do not fill the reservoir bucket, as overfilling will result in water damage. Use only the bottles provided.

CONTROLS & OPERATION

- 10) Plug cord into wall receptacle. Your humidifier is now ready for use. The humidifier should be placed at least FOUR inches away from any walls and away from heat registers. Unrestricted airflow into the unit will result in the best efficiency and performance. Set desired levels and speed.
- 11) Open control panel door by lifting under the tab. Depending on which model, you may have a choice of 2, 4, or variable fan speed allowing you to use the low setting for the quietest operation or a high setting for maximum output.
Models 4D7 300 and 800 have a digital humidistat with LCD display. The room's Relative Humidity (%RH) is displayed at the top and the desired humidity level is displayed at the bottom. The desired humidity level can be manually adjusted between 30 and 90%, using the "Set Humidity" button. 45% RH is the suggested initial setting.



- 12) All models have an automatic humidistat. The humidistat will turn the humidifier on when the relative humidity in your home is below the humidistat setting and will turn the humidifier off when the relative humidity reaches the humidistat setting. For initial operation, set the humidistat at its midpoint "comfort zone" setting and adjust up or down from there to achieve the desired humidity level. Turning the variable speed humidistat all the way counterclockwise will turn the unit off regardless of the relative humidity. This must be turned on again before the unit will work.
- 13) The refill light will indicate when the unit is completely out of water. The motor will also shut off. The right bottle will empty first. To refill, see Step 9.

**When excessive condensation exists, a lower speed setting is recommended.

CAUTION: Disconnect power before filling, cleaning or servicing unit. Keep grille dry at all times.

OPTIONAL AIRCARE® FILTER -1051

The first stage of the air filter is a, high-efficiency, electrostatically charged filter media which traps dust, pollen, and airborne pollutants. The second stage of the AirCare filter is an activated carbon media which absorbs odors from cooking, pets, or tobacco smoke. We recommend replacing the AirCare filter at least once a year and more often if necessary. When the white filter media is coated with a layer of dust and dirt, it is time to replace the AirCare filter. The certified water out output of your humidifier will be reduced when using the AirCare filter. AirCare filters are optional and are not required for normal operation of the humidifier. *AirCare is a registered trademark of Essick Air Products.*

CARE AND MAINTENANCE

Cleaning your humidifier regularly helps eliminate odors and bacterial and fungal growth. Ordinary household bleach is a good disinfectant and can be used to wipe out the humidifier base and bottle/reservoir after cleaning.

We recommend cleaning your humidifier at least once every two weeks to maintain optimum environmental conditions from your humidifier.

We also recommend using Essick Air Bacteriostat Treatment each time you refill your humidifier to eliminate bacterial growth. Add bacteriostat according to the instructions on the bottle. Please call 1-800-547-3888 to order Bacteriostat Treatment reference part#1970.

- 1) Turn off unit completely and unplug from outlet.
- 2) Lift out the water bottle and the power pack.
- 3) Unplug interlock plug from chassis/power pak receptacle.
- 4) Lift off end covers and remove both water bottles. Note: Water bottles must be removed before chassis/power pak to prevent possible switch lever damage.
- 5) Lift chassis/power pak unit from cabinet.

REMOVING SCALE

- 6) Carry base to cleaning basin. Lift the wick from the base allowing excess water to drain. Rinse wick under freshwater only. Do not use soap, detergent, or any other cleaners on the wick. Leave in sink to drain.
- 7) Empty the water from the base and/or water bottle. Fill the base and/or water bottle with water and 8 oz. (1 cup) of undiluted vinegar. Let stand 20 minutes. Then empty solution.
- 8) Dampen a soft cloth with undiluted white vinegar and wipe out water bottle and/or base to remove scale. Rinse the water bottle and/or base thoroughly with fresh water to remove scale and cleaning solution before disinfecting.

DISINFECTING UNIT

- 9) Fill the water bottle and reservoir with 1 gallon of water and add 1 teaspoon of bleach to each. Wet all surfaces on water bottle and reservoir only. Let solution stay for 20 minutes, then rinse with water until bleach smell is gone. Dry with clean cloth. The outside of the unit and water bottle may be wiped down with a soft cloth dampened with fresh water.
- 10) Refill unit and re-assemble per **ASSEMBLY** instructions.

SUMMER STORAGE

- 1) Clean unit as outlined in Care & Maintenance section.
- 2) Discard used wicks and any water in the reservoir and allow cabinet to dry thoroughly before storage. **Do not** store with water inside reservoir.
- 3) Do not store unit in an attic or other high-temperature area.
- 4) Install new filter at beginning of season.

HOME COMFORT DIVISION ONE-YEAR LIMITED WARRANTY

The Essick Air humidifier warranty covers defects in materials and workmanship for a period of one year from date of retail purchase. This warranty applies only to the original purchaser of the product.

Within the first 12 months from the date of purchase, Essick Air will repair or replace, at its discretion, any defective part of the humidifier covered by this warranty.

This warranty gives you specific legal rights, and you may also have other rights which vary from state to state or province to province.

This warranty does not cover damage resulting from misuse or abuse of the humidifier, accidents or alterations to the product, commercial use or damage during shipment. Misuse includes malfunctions caused by negligence in cleaning or parts fouled with mineral deposits due to hard-water conditions. Alterations to the product include the substitution of non-Essick Air brand components including, but not limited to, wicks.

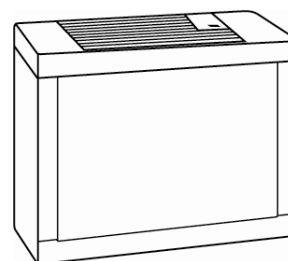
If service becomes necessary, take or send the product to any Essick Air service center.

LEER Y GUARDAR ESTAS INSTRUCCIONES



**HUMIDIFICADOR
VAPORIZADOR**

MANUAL DE CUIDADOS Y USO DEL PROPIETARIO

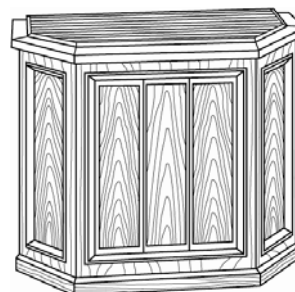


Serie 400

MODELOS:

- 4D7 300, ROBLE – Velocidad variable
- 4D7 800, BLANCO – Velocidad variable
- 447 302, CEREJEIRA – 4 velocidades
- 427 300, NUDO DE ROBLE – 2 velocidades
- 696 400, ROBLE – Velocidad variable
- 697 500, CEREJEIRA – Velocidad variable

- Humidistato Automático
- Apagado automático
- Funcionamiento silencioso para uso nocturno
- Fácil de limpiar, unidad de fuerza removible



Serie 600

*Se incluyen instrucciones
En Español y Francés.*

*Directives en Français et en
espagnol compris*

**CUIDE EL MEDIOAMBIENTE
RECICLE LOS MATERIALES APROPIADOS**

Patentes: 5,037,583; 5,110,511; 5,133,904

Otras patentes pendientes

Para encomendar piezas y accesorios, llame al **1-800-547-3888**

PAUTAS IMPORTANTES DE SEGURIDAD

LEER ANTES DE USAR SU HUMIDIFICADOR

- 1) Este artefacto tiene un enchufe polarizado (una espiga es más ancha que la otra). Para reducir el riesgo de descarga eléctrica, este enchufe está diseñado para encajar de una sola forma en un tomacorriente polarizado de 120 V de CA, de 15 amp. Si el enchufe no encaja completamente en el tomacorriente, invertirlo. Si aún así no encaja, consultar un electricista calificado. No intentar burlar esta norma de seguridad. Si tiene que usar una extensión, ésta también debe aceptar el enchufe de espiga ancha y tener el voltaje adecuado.
- 2) No dejar el cable bajo alfombras, cerca de cortinas, en áreas de tránsito o cerca de fuentes de calor o materiales combustibles.
- 3) **No utilizar el humidificador si el cable está dañado.**
- 4) **Antes de llenar, limpiar, efectuar reparaciones o cuando la unidad no esté en uso, siempre desenchufar el cable.**
- 5) Este humidificador está registrado en UL con filtros/mecha evaporadoras Essick Air ya instalados. Para mantener la clasificación de UL, consulte su centro de asistencia técnica para cualquier reparación.
- 6) Se recomienda efectuar limpiezas regularmente. Ver la sección CUIDADOS Y MANTENIMIENTO del manual

INTRODUCCIÓN

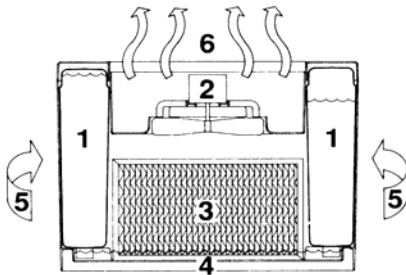
Su humidificador vaporizador Essick Air agrega una humedad invisible a su hogar moviendo el aire seco que entra a través de un filtro/mecha saturado. A medida que el aire pasa a través del filtro/mecha, el agua se evapora en el aire, dejando atrás cualquier polvo blanco, minerales o sólidos disueltos y suspendidos. Como el agua se evapora, queda solamente aire húmedo limpio e invisible.

A medida que el filtro/mecha atrapa los minerales acumulados del agua, su capacidad de absorber y evaporar el agua se reduce. Recomendamos cambiar el filtro/mecha al comienzo de cada temporada. En áreas con agua dura, pueden ser necesarios cambios más frecuentes para mantener la eficiencia del humidificador.

Usar solamente repuestos para filtros/mecha y productos químicos marca Essick Air. Para encomendar repuestos, filtros/mecha y productos químicos, llamar al 1-800-547-3888. Los humidificadores de la serie 400 y 600 usan mechas Essick Air N° 1041. Solo la mecha vaporizadora Essick Air garantiza el rendimiento certificado de su humidificador. El uso de filtros/mecha que no sean marca Bemis by

Essick Air invalidará su garantía, así como la certificación del rendimiento y puede reducir la eficacia de su humidificador.

El aire seco entra al humidificador por la parte trasera y se humidifica a medida que pasa por el filtro/mecha evaporador. Después se expulsa al ambiente por medio del ventilador.



- 1) Botellas de agua
- 2) Chasis/Unidad de fuerza (conjunto del motor y ventilador)
- 3) Filtro/mecha evaporador
- 4) Canal de agua/bandeja
- 5) Entrada del aire ambiental seco
- 6) Salida del aire húmedo

PRECAUCIÓN: NO dejar la unidad directamente en frente a tuberías de aire caliente o radiadores. NO ubicarlo sobre moquetas blandas.

ENSAMBLAJE, MANDOS Y OPERACIÓN

- 1) Retirar los dos insertos de poliespuma de la parte superior del humidificador.
- 2) Levantar y sacar la tapa de la botella de agua (por la izquierda). Sacar la botella de agua, levantar y sacar el chasis/unidad de fuerza y después sacar el gabinete del humidificador de la caja.
- 3) Sacar el filtro/mecha evaporador, el conjunto flotador (varilla negra con flotador blanco) y todo el resto de los materiales de embalaje del gabinete. Cerciorarse de haber sacado todas las partes siguientes del kit de accesorios de las cajas y el gabinete antes de deshacerse de los embalajes:
 - o Manguera de llenado
 - o Kit de ruedas
 - o Muestra de tratamiento bactericida
 - o Dos botellas de agua con tapa
 - o Filtro/mecha evaporador
 - o Cable (Solamente serie 400)
 - o Dos tapas
 - o Filtro AirCare® opcional (solamente con la serie 697 y todos los modelos de la serie 400)Se puede comprar separadamente para otros modelos 696

INFORMACIONES IMPORTANTES PARA EL LLENADO

4. Su humidificador está equipado con dos botellas de agua. Cuando la botella de agua y el depósito estén vacíos, el ventilador del humidificador parará automáticamente, pero volverá a trabajar automáticamente cuando se llenen la botella y el depósito de agua.
5. Cuando se llene la botella por primera vez y el filtro/mecha esté seco, llevará cerca de 20 minutos para vaciar la botella en el depósito. Después que se haya vaciado la botella, debe llenarse nuevamente para obtener el tiempo máximo de funcionamiento.

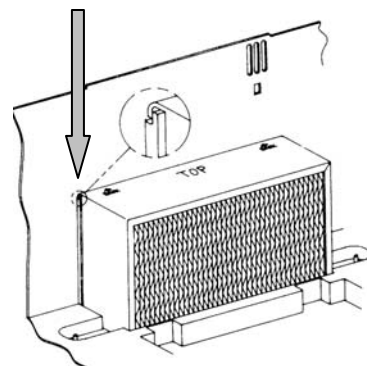
6. Al llenar la botella, si el filtro/mecha todavía está húmedo, llevará cerca de 12 minutos para reponer el agua en el depósito. En ese momento, debe llenarse la botella para obtener el tiempo máximo de funcionamiento.

RUEDAS

- 4) Poner el gabinete vacío de cabeza para abajo. Insertar cada uno de los ejes de las ruedas en los cuatro agujeros de las ruedas en cada ángulo del fondo del humidificador. Las ruedas deben encajar bien justas y se deben insertar hasta que el tope del eje llegue a la superficie del gabinete. No forzarlo.
- 5) Poner el gabinete en pie.

FILTRO/MECHA EVAPORADOR

- 6) El filtro/mecha tiene una nervadura de montaje en el ángulo superior que se encaja en la nervadura de la parte interna trasera del gabinete. Esto permite colgar el filtro/mecha en el canal del agua (ver ilustración). Colgar el filtro/mecha dentro del gabinete como se muestra.



FILTRO DE AIRE (OPCIONAL para los modelos 4D7, 427, 447, 697).

- 7) El filtro AirCare tiene cuatro lengüetas que se encajan en cuatro ranuras que permiten el montaje del filtro AirCare por afuera de la parte trasera del gabinete.

CHASIS/UNIDAD DE FUERZA

- 8) Colocar el chasis/unidad de fuerza dentro del gabinete de forma que se encaje sin inclinarse o sacudirse.
- 9) Llene la botella con agua limpia fría (de preferencia sin ablandar). Si sólo tiene agua blanda en su casa, puede usarla, pero notará una acumulación más rápida de minerales en las mecha vaporizadora.

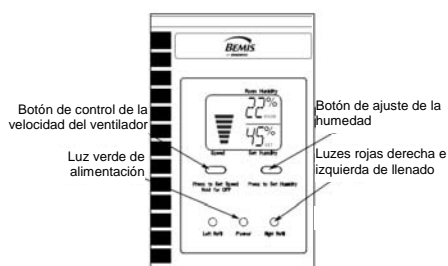
La botella tiene capacidad para 2,75 (serie 400) y 2,6 (serie 600) galones. Al llenarla, tener cuidado para no causar presión llenándola demasiado. Esto puede dañar la botella. Su humidificador viene con una manguera que se adapta a la mayoría de los grifos. Colocar la botella de agua dentro del lado izquierdo del humidificador con la punta de la tapa de la válvula hacia abajo, de forma que la ranura de la botella de agua quede hacia adentro. Recolocar la tapa de la botella de agua y quedará listo.

OBSERVACIÓN: Para obtener un tiempo de funcionamiento ideal, llenar la botella de agua, apretar la tapa y colocarla dentro de la unidad, dejándola hasta que se vacíe completamente en el depósito de agua. Después llenar las botellas nuevamente y recolocarlas en el gabinete. No llenar el recipiente del depósito, porque si se recarga demasiado esto puede provocar daños a la botella de agua. Usar solamente las botellas que vienen con el equipo.

CONTROLES Y OPERACIÓN

- 10) Enchufar el cable al receptáculo de la pared. Su humidificador está pronto para el uso. El humidificador debe ubicarse a por lo menos CUATRO pulgadas de las paredes y lejos de fuentes de calor. El flujo de aire irrestricto en la unidad mejora su eficiencia y el desempeño. Establezca los niveles y la velocidad deseados.
- 11) Abrir la puerta del tablero de mando levantándola debajo de la aleta. Dependiendo del modelo, puede elegirse la velocidad 2, 4 o variable del ventilador, lo que le permite usar la velocidad baja para una operación más silenciosa o la alta para un máximo rendimiento.

Los modelos 4D7 300 y 800 tienen un humidistato digital con display de LCD. La Humedad Relativa (%HR) del ambiente aparece en la parte superior y el nivel deseado de humedad, en la parte de abajo. La humedad deseada se puede ajustar manualmente entre 30 y 90%, usando el botón de "Set Humidity" (Ajuste de la Humedad). Se recomienda comenzar con una HR del 45%.



- 12) Todos los modelos tienen un humidistato automático. El humidistato prenderá el humidificador cuando la humedad relativa de su hogar sea inferior a la del humidistato y lo apagará cuando la humedad relativa alcance la del humidistato. Al principio de la operación, poner el humidistato en el punto medio "comfort zone" (región de confort) y aumentar o reducir el nivel de humedad hasta alcanzar el deseado. Al girar totalmente hacia la derecha el humidistato de velocidad variable la unidad se apagará a cualquier humedad relativa. Se debe prender nuevamente antes de poner a funcionar la unidad.
- 13) La luz de llenado indicará cuando la unidad esté completamente sin agua. El motor también se apagará. La botella de la derecha se vaciará primero. Para reponer el agua, ver el Paso 9.
Cuando haya *condensación excesiva*, se recomienda usar una velocidad más baja.

PRECAUCIÓN: Desenchufar la unidad antes de llenarla, limpiarla o efectuar reparaciones en ella. Siempre mantener la rejilla seca.

FILTRO AIRCARE® OPCIONAL - 1051

La primera etapa del filtro de aire es un filtro electrostático de alta eficiencia, que atrapa el polvo, polen y contaminantes del aire. La segunda etapa del filtro Air Care es un dispositivo de carbón activado que absorbe los olores de la cocina, de animales domésticos o humo de tabaco. Recomendamos cambiar el filtro AirCare por lo menos una vez por año y más frecuentemente en caso de necesidad. Cuando el filtro blanco esté revestido de una capa de polvo y suciedad, se debe cambiar el filtro AirCare. La capacidad de salida de agua certificada de su humidificador se reducirá cuando use el filtro AirCare. Los filtros AirCare son opcionales y no son necesarios para la operación normal del humidificador. *AirCare es una marca registrada de Essick Air Products.*

CUIDADOS Y MANTENIMIENTO

Limpiar su humidificador regularmente ayuda a eliminar olores y el crecimiento de bacterias y hongos. El blanqueador doméstico común es un buen desinfectante y se puede usar para repasar la base del humidificador y la botella/depósito después de limpiarlos.

Recomendamos limpiar su humidificador por lo menos una vez cada dos semanas para mantener las condiciones ambientales ideales en su humidificador.

También recomendamos usar el Tratamiento Bacteriostat Essick Air cada vez que rellene su humidificador para eliminar el crecimiento bacteriano. Añadir el bactericida de acuerdo a las instrucciones del embalaje. Para encomendar el Tratamiento Bacteriostat (referencia N° 1970), llame al 1-800-547-3888.

- 1) Apague la unidad completamente y desenchúfela del tomacorriente.
- 2) Levantar y sacar la botella de agua y la unidad de fuerza.
- 3) Desenchufar el otro extremo del cable del receptáculo del chasis/unidad de fuerza.
- 4) Levantar las tapas y retirar las dos botellas de agua. Nota: Las botellas de agua deben ser retiradas antes del chasis/unidad de fuerza para evitar posibles daños de la palanca.
- 5) Levante el chasis/unidad de fuerza del gabinete.

REMOCIÓN DE SARRO

- 6) Lleve la base a la piletta de limpieza. Levante la mecha de la base dejando que salga el exceso de agua. Enjuagar la mecha solamente con agua limpia. No usar jabón, detergente o cualquier otro producto de limpieza en la mecha. Dejarla escurrir en la piletta.
- 7) Vacíe el agua de la base y/o de la botella de agua. Llene la base y/o botella con agua y 8 oz. (1 taza) de vinagre sin diluir. Dejar reposar durante 20 minutos. Después vaciarlo.
- 8) Humedecer un paño suave con vinagre blanco sin diluir y frotar la botella y/o base para retirar el sarro. Enjuagar la botella de agua y/o base cuidadosamente con agua limpia para remover el sarro y la solución de limpieza antes de desinfectar.

DESINFECCIÓN DE LA UNIDAD

- 9) Llenar la botella de agua y el depósito con 1 galón de agua y agregarle una cucharadita de té de blanqueador a cada uno. Humedecer solamente todas las superficies de la botella de agua y del depósito. Dejar reposar la solución durante 20 minutos, después enjuagar con agua hasta que el olor a blanqueador se haya ido. Secar con un paño limpio. Se puede repasar la parte de afuera de la unidad y la botella de agua con un paño humedecido en agua limpia.
- 10) Rellenar la unidad y reensamblarla de acuerdo a las instrucciones de **ENSAMBLAJE**.

ALMACENAMIENTO DURANTE EL VERANO

- 1) Limpiar la unidad como se describe en la sección Cuidados y Mantenimiento.
- 2) Desechar los filtros/mecha usados y el agua del depósito y dejar secar bien el gabinete antes de guardarlo. **No** guardarlo con agua dentro del depósito.
- 3) No almacenar la unidad en sótanos o áreas con alta temperatura.
- 4) Instalar un nuevo filtro al comienzo de la temporada.

DIVISIÓN DE CONFORT PARA EL HOGAR GARANTÍA LIMITADA DE UN AÑO

La garantía del humidificador Essick Air cubre defectos de materiales y mano de obra durante un período de un año a partir de la fecha de la compra al por menor. Esta garantía se aplica solamente al comprador original del producto.

En los primeros 12 meses después de la fecha de compra, Essick Air reparará o cambiará, a su criterio, cualquier pieza defectuosa del humidificador cubierta por esta garantía.

Esta garantía le otorga derechos legales específicos y Usted también puede tener otros derechos que varían de un estado a otro o de una provincia a otra.

Esta garantía no cubre daños provocados por uso incorrecto o abuso del humidificador, accidentes o alteraciones del producto, uso comercial o daños durante el envío. EL uso incorrecto incluye fallas de funcionamiento por negligencia en la limpieza o piezas obstruidas con depósitos minerales debido a condiciones causadas por agua dura. Las alteraciones del producto incluyen el cambio de componentes que no sean marca Essick Air, no limitándose a los filtros.

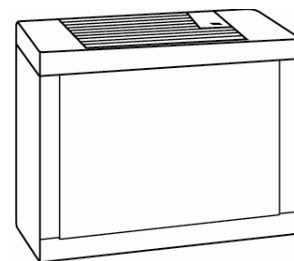
Si es necesario hacer alguna reparación, lleve o envíe el producto a una asistencia técnica Essick Air.

LISEZ ATTENTIVEMENT CES DIRECTIVES ET CONSERVEZ-LES



**HUMIDIFICATEUR
ÉVAPORATEUR**

GUIDES D'UTILISATION D'ENTRETIEN DU PROPRIÉTAIRE



Série 400

MODÈLES :

4D7 300, CHÊNE CLAIR à vitesse variable

4D7 800, BLANC à vitesse variable

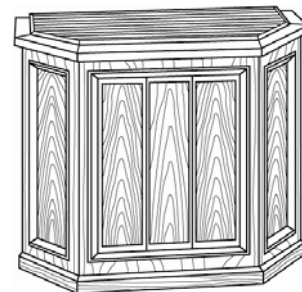
447 302, CERISIER à 4 vitesses

427 300, CHÊNE ÉNODÉ à 2 vitesses

696 400, CHÊNE CLAIR – à vitesse variable

697 500, CHERRY – Variable speed

- Hygrostat automatique
- Arrêt automatique
- Mode silencieux pour la nuit
- Facile à nettoyer, bloc d'alimentation amovible



Série 600

*French and Spanish
Instructions included.*

*Se incluyen instrucciones
En Español y Francés.*

*Directives en français et en
espagnol comprises.*



**PENSEZ À L'ENVIRONNEMENT.
RECYCLEZ LES MATIÈRES APPROPRIÉES.**

Brevets : 5 037 583 ; 5 110 511 ; 5 133 904
Autres brevets en instance

MESURES DE SÉCURITÉ IMPORTANTES

À LIRE AVANT D'UTILISER VOTRE HUMIDIFICATEUR

- 1) Cet appareil est équipé d'une fiche polarisée (une broche est plus large que l'autre). Afin de réduire les risques de chocs électriques, cette fiche a été conçue pour s'introduire d'une seule façon dans une prise polarisée de 120 volts c.a. et 15 ampères. Si la fiche ne s'insère pas entièrement dans la prise, retournez-la. Si elle ne s'insère toujours pas, prenez contact avec un électricien qualifié. N'essayez pas de contourner cette fonction de sécurité. Si l'utilisation d'une rallonge est nécessaire, celle-ci doit également accepter la broche large de la fiche et se conformer aux valeurs nominales électriques mentionnées.
- 2) Ne placez pas le cordon d'alimentation sous un tapis, près de rideaux longs, dans un endroit à passage important ou près d'une source de chaleur ou de matières combustibles.
- 3) **N'utilisez pas l'humidificateur si le cordon d'alimentation est abîmé.**
- 4) **Débranchez toujours le cordon d'alimentation avant de remplir, de nettoyer ou d'entretenir l'appareil ou lorsque vous ne l'utilisez pas.**
- 5) Cet humidificateur est approuvé par le UL avec les filtres à mèche d'évaporation de marque de Essick Air en place. Afin de maintenir votre classification UL, reportez-vous à votre centre de service clientèle pour toutes les réparations.
- 6) Un nettoyage régulier est recommandé. Reportez-vous à la rubrique sur les SOINS et l'ENTRETIEN de ce guide.

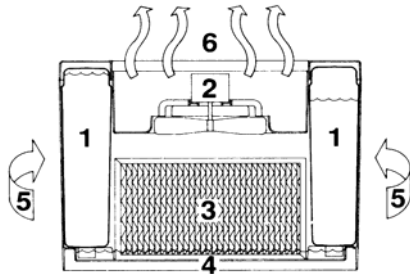
INTRODUCTION

L'humidificateur évaporateur de Essick Air ajoute une humidité invisible dans la maison en faisant passer de l'air sec à travers un filtre à mèche saturé d'eau. Au fur et à mesure que l'air passe au travers du filtre à mèche, l'eau s'évapore dans l'air en laissant derrière toutes poussières blanches, minéraux et solides dissous ou en suspension. Étant donné que de l'eau est évaporée, il n'y a que de l'air humidifié, propre et invisible.

Au fur et à mesure que la mèche d'évaporation emprisonne et accumule les minéraux contenus dans l'eau, sa capacité d'absorption et d'évaporation d'eau diminue. Nous recommandons de changer le filtre à mèche au début de chaque saison d'humidification. Dans les régions où l'eau est dure, un remplacement plus fréquent peut être nécessaire afin de maintenir l'efficacité de votre humidificateur.

N'utilisez que les produits chimiques et les filtres à mèche de marque Essick Air en remplacement. Afin de placer une commande de pièces, de filtres à mèche ou de produits chimiques, composez le 1-800-547-3888. Les filtres à mèche de numéro 1041 de Essick Air conviennent à tous les humidificateurs des séries 400 et 600. Seuls les filtres à mèche d'évaporation de Essick Air garantissent le rendement certifié à la sortie de votre humidificateur. L'utilisation de filtres à mèche autres que les Essick Air annule la garantie, la certification de la valeur à la sortie et peut réduire le rendement de votre humidificateur.

L'air sec est tiré à l'intérieur de l'humidificateur en passant par l'arrière. Il est humidifié au fur et à mesure qu'il passe à travers du filtre à mèche d'évaporation. Il est ensuite poussé à l'extérieur dans la pièce.



- 1) Récipients d'eau
- 2) Châssis/bloc d'alimentation (montage du moteur et du ventilateur)
- 3) Filtre à mèche d'évaporation
- 4) Conduite d'eau/plateau
- 5) Entrée de l'air sec
- 6) Sortie de l'air humidifié

MISE EN GARDE : Ne placez PAS l'humidificateur directement devant une bouche d'air chaud ou d'un radiateur. NE le placez PAS sur de la moquette ou des tapis mous.

ASSEMBLAGE, RÉGLAGE ET FONCTIONNEMENT

- 1) Retirez les deux pièces d'emballage en polymousse qui se trouvent sur le dessus de l'humidificateur.
- 2) Soulevez le couvercle du récipient d'eau (côté gauche). Sortez le récipient d'eau ; soulevez le châssis/bloc d'alimentation puis retirez le boîtier de l'humidificateur de la boîte d'emballage.
- 3) Enlevez le filtre à mèche d'évaporation, le montage du flotteur (tige noire avec flotteur blanc) ainsi que toutes les autres matières d'emballage du boîtier. Vérifiez, afin de vous assurer, que tous les articles suivants ont été retirés de la trousse d'accessoires et du boîtier se trouvant dans le carton, avant de jeter l'emballage :
 - o Boyau de remplissage
 - o Nécessaires de roulettes
 - o Échantillon de traitement contre les bactéries
 - o Deux récipients d'eau avec bouchons
 - o Filtre à mèche d'évaporation
 - o Cordon (série 400 uniquement)
 - o Deux couvercles aux extrémités
 - o Filtre AirCare® optionnel (compris dans le 697 et tous les appareils de la série 400 uniquement). Il est possible de l'acheter séparément pour d'autres modèles 696.

RENSEIGNEMENTS IMPORTANTS SUR LE REMPLISSAGE

1. Votre humidificateur est muni de deux récipients d'eau. Lorsque le récipient d'eau et le réservoir sont tous deux vides, le ventilateur de l'humidificateur s'arrête automatiquement et se remet automatiquement en marche une fois le récipient d'eau et le réservoir remplis.

2. Au premier remplissage du récipient d'eau, la mèche est sèche ; cela prend environ 20 minutes pour que l'eau du récipient s'écoule dans le réservoir. Une fois le récipient vidé dans le réservoir, il faut le remplir de nouveau afin d'obtenir une durée de marche maximale.
3. Lors de remplissages subséquents du récipient d'eau, avec une mèche humide, cela prend environ 12 minutes pour remplir le réservoir. Dans un tel cas, il faut remplir le récipient pour une durée de marche maximal.

LES ROULETTES

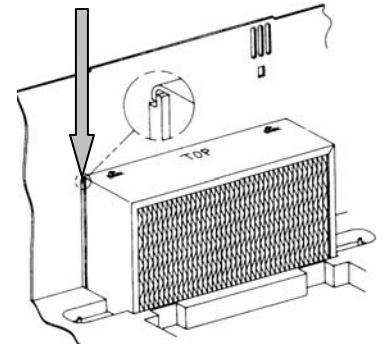
- 4) Retournez le boîtier de l'humidificateur vide à l'envers. Insérez une tige de roulette dans chacun des quatre orifices situés aux quatre coins de la base de l'humidificateur. Les roulettes doivent bien s'ajuster et être enfoncées jusqu'à ce que l'épaule de la tige atteigne la surface du boîtier. Ne forcez pas.
- 5) Retournez le boîtier à l'endroit.

FILTRE À MÈCHE D'ÉVAPORATION

- 6) La mèche comprend une nervure de montage sur la bordure du haut qui s'accroche sur l'arête intérieure de la partie arrière du boîtier. Cela permet de suspendre le filtre à mèche dans la conduite d'eau (voir le schéma). Suspendez le filtre à mèche dans le boîtier comme indiqué.

FILTRE À AIR (OPTIONNEL pour les modèles 4D7, 427, 447 et 697)

- 7) Le filtre AirCare comprend quatre languettes qui s'engagent dans quatre fentes en forme de trou de serrure afin de monter le filtre AirCare sur la paroi extérieure de l'arrière du boîtier.



CHÂSSIS/BLOC D'ALIMENTATION

- 8) Placez l'ensemble du châssis/bloc d'alimentation dans le boîtier de façon à ce qu'il ne bascule pas.

- 9) Remplissez le récipient d'eau pure et fraîche (de préférence non adoucie). Si vous n'avez que de l'eau adoucie de disponible chez vous, vous pouvez l'utiliser mais l'accumulation de minéraux sur le filtre à mèche d'évaporation se formera plus rapidement.

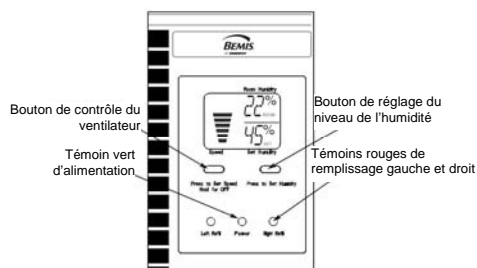
Le récipient peut contenir 10,4 litres (2,75 gallons pour la série 400) et 9,8 litres (2,6 gallons pour la série 600). Faites attention lors du remplissage, car un trop-plein peut entraîner des dommages sur le récipient. Un boyau de remplissage, qui convient à la plupart des robinets, est fourni avec l'humidificateur. Placez le récipient d'eau du côté gauche, à l'intérieur de l'humidificateur, avec le capuchon du clapet vers le bas, afin que la rainure du récipient d'eau soit dirigée vers l'intérieur. Remettez le bouchon du récipient d'eau en place, cela termine l'assemblage.

NOTA : Afin d'obtenir une durée de marche optimale, remplissez le récipient d'eau, serrez le bouchon et placez-le dans l'appareil pour le laisser se vider entièrement dans le réservoir d'eau. Remplissez ensuite les récipients et remettez-les dans le boîtier. Ne remplissez pas le réservoir à l'aide d'un sceau, un trop-plein risque de causer un dégât d'eau. N'utilisez que les récipients fournis.

RÉGLAGE ET FONCTIONNEMENT

- 10) Branchez le cordon d'alimentation sur la prise murale. Votre humidificateur est maintenant prêt à être utilisé. L'humidificateur doit être placé à au moins DIX centimètres (4 po) de tout mur et loin de toute bouche d'air chaud. Un débit d'air libre qui entre dans l'appareil assure une meilleure efficacité de rendement. Réglez le débit et les niveaux voulus.
- 11) Ouvrez le couvercle du panneau de commande en soulevant sous la languette. Selon le modèle, votre humidificateur a 2, 4 ou plusieurs vitesses de ventilateur, ce qui vous permet de choisir une vitesse basse pour un fonctionnement silencieux ou une vitesse élevée pour un rendement maximum.

Les modèles 4D7 et 800 sont équipés d'un hygrostat numérique avec écran LCD. L'humidité relative (% HR) de la pièce est indiquée en haut et le niveau d'humidité désiré est indiqué en bas. Le niveau d'humidité désiré peut être réglé manuellement entre 30 et 90 % à l'aide du bouton « Réglage de l'humidité ». Le réglage initial recommandé est de 45 % RH.



- 12) Tous les modèles sont équipés d'un hygrostat automatique. L'hygrostat met l'humidificateur en marche lorsque le taux d'humidité dans la maison est en dessous de la valeur réglée et arrête l'humidificateur lorsque le taux d'humidité relative atteint la valeur de l'hygrostat. Pour la mise en marche initiale, réglez l'hygrostat au centre à la marque indiquant la « zone de

confort » puis de là, ajustez vers le haut ou vers le bas, afin d'obtenir le taux d'humidité voulu. Le fait de tourner l'hygrostat à vitesses variables complètement dans le sens contraire des aiguilles d'une montre, éteint l'appareil, quel que soit le taux d'humidité relative. Le bouton doit être de nouveau en position de marche avant que l'appareil ne puisse fonctionner.

- 13) Le témoin lumineux de remplissage indique lorsque l'appareil est complètement vide. Le moteur s'arrête aussi. Le récipient de droite se vide en premier. Pour le remplissage, reportez-vous à l'étape 9.

** En cas de condensation importante, un réglage sur une moindre vitesse est recommandé.

MISE EN GARDE : Débranchez l'appareil avant le remplissage, le nettoyage et l'entretien. Maintenez toujours la grille sèche.

FILTRE AIRCARE® -1051 OPTIONNEL

La première étape du filtre à air est un médium filtrant électrostatiquement chargé à haut rendement qui capte les poussières, le pollen et les particules dans l'air. La deuxième étape du filtre AirCare est un médium au charbon actif qui absorbe les odeurs provenant de la cuisson, des animaux domestiques ou de la fumée du tabac. Nous recommandons de remplacer le filtre AirCare au moins une fois par an et plus souvent si nécessaire. Lorsque le médium blanc est couvert d'une pellicule de poussières ou de saleté, il est temps de remplacer le filtre AirCare. La sortie d'eau certifiée de l'humidificateur est réduite lors de l'utilisation du filtre AirCare. Les filtres AirCare sont optionnels et ne sont pas requis pour le fonctionnement normal de l'humidificateur. *AirCare est une marque déposée des produits Essick Air.*

SOINS ET ENTRETIEN

Le fait de nettoyer régulièrement votre humidificateur aide à éliminer les odeurs et la croissance de bactérie et de fungus. Normalement, l'eau de javel est un bon désinfectant et peut être utilisée dans le plateau et les récipients/réservoirs d'eau après nettoyage.

Nous recommandons de nettoyer l'humidificateur au moins une fois toutes les deux semaines afin d'obtenir de votre humidificateur des conditions optimales pour l'environnement.

Nous recommandons, également, l'utilisation du traitement contre les bactéries Essick Air Bacteriostat Treatment à chaque remplissage du récipient d'eau afin d'éliminer la croissance éventuelle des bactéries. Ajoutez le bactériostat selon les directives inscrites sur le récipient d'eau. Veuillez composer le 1-800-547-3888 afin de passer commande du traitement contre les bactéries Bacteriostat Treatment portant le référence numéro 1970.

- 1) Éteignez l'appareil complètement et débranchez-le.
- 2) Soulevez le récipient d'eau et le bloc d'alimentation.
- 3) Débranchez le cordon d'accouplement de la prise du châssis/bloc d'alimentation.
- 4) Enlevez les couvercles des extrémités et retirez les récipients d'eau. Nota : Vous devez retirer les récipients d'eau avant le châssis/bloc d'alimentation afin d'empêcher tout dommage possible au commutateur-interrupteur à levette.
- 5) Retirez le châssis/bloc d'alimentation du boîtier.

DÉTARTRAGE

- 6) Transportez la base vers un évier. Soulevez le filtre à mèche en laissant l'excès d'eau s'écouler. Rincez le filtre à mèche sous de l'eau fraîche uniquement. N'utilisez pas de savon, de détergent ni d'autres nettoyeurs sur le filtre à mèche. Laissez-le s'égoutter dans l'évier.
- 7) Videz l'eau contenue dans le plateau et/ou le récipient d'eau. Remplissez le plateau et/ou le récipient d'eau et d'une tasse (8 oz) de vinaigre pur. Laissez agir pendant 20 minutes. Videz la solution.
- 8) Mouillez un chiffon doux avec du vinaigre blanc pur et essuyez le récipient et/ou la base pour enlever les dépôts. Rincez abondamment le récipient et/ou le plateau avec de l'eau fraîche pour enlever les dépôts et la solution nettoyante avant de désinfecter.

DÉSINFECTION DE L'APPAREIL

- 9) Remplissez le réservoir et le récipient avec 3,8 litres (1 gallon) d'eau et rajoutez 1c. d'eau de javel dans chacun des deux. Mouillez toutes les surfaces du récipient et du réservoir uniquement. Laissez agir la solution pendant 20 minutes, puis rincez avec de l'eau jusqu'à ce que l'odeur de l'eau de javel ait disparue. Séchez avec un chiffon doux. Vous pouvez essuyer les parois extérieures de l'appareil et du récipient d'eau à l'aide d'un chiffon doux mouillé avec de l'eau fraîche.
- 10) Remplissez l'appareil et remontez-le selon les directives de l'ASSEMBLAGE.

ENTREPOSAGE L'ÉTÉ

- 1) Nettoyez l'appareil tel qu'indiqué dans le chapitre portant sur les « Soins et l'entretien ».
- 2) Jetez les filtres à mèche usés et toute eau qui serait restée dans les récipients. Laissez le boîtier sécher complètement avant de le ranger. **N'entrez pas l'appareil avec de l'eau dans le récipient.**
- 3) N'entrez pas l'appareil dans un grenier ou dans un endroit où la température est élevée.
- 4) Installez un nouveau filtre à mèche avant le début de la saison.

***DIVISION DU CONFORT À LA MAISON
GARANTIE LIMITÉE DE UN AN***

La garantie sur l'humidificateur Essick Air porte sur tous défauts relatifs au matériau et à la main d'œuvre et ce, pour une période de un an, à compter de la date d'achat chez le détaillant. Cette garantie ne s'applique que pour l'acheteur d'origine de ce produit.

Dans les 12 premiers mois de la date d'achat, Essick Air répare ou remplace, à sa discrétion, toute pièce défectueuse de l'humidificateur comprise dans cette garantie.

Cette garantie vous donne des droits particuliers. Il se peut que vous ayez d'autres droits qui varient d'un état à l'autre ou d'une province à l'autre.

Cette garantie ne couvre pas les dommages causés par une mauvaise utilisation ou un emploi abusif de l'humidificateur, un accident ou des modifications portées sur le produit, une utilisation commerciale ou des dommages subis lors du transport. Une mauvaise utilisation comprend un mauvais fonctionnement de l'appareil dû à de la négligence dans le nettoyage ou à des pièces souillées de dépôts minéraux en raison de la dureté de l'eau. Les modifications portées au produit comprennent la substitution pour des éléments autres que ceux de marque Essick Air y compris, mais sans limiter, les filtres à mèche.

Pour toute réparation, apportez ou envoyez le produit à n'importe quel centre de service clientèle Essick Air.