

Video to VGA Portable

Turns a VGA monitor into a video monitor with remote switching capability.



Customer Support Information

Order toll-free in the U.S.: Call 877-877-BBOX (outside U.S. call 724-746-5500) • FREE technical support 24 hours a day, 7 days a week: Call 724-746-5500 or fax 724-746-0746 • Mailing address: Black Box Corporation, 1000 Park Drive, Lawrence, PA 15055-1018 • Web site: www.blackbox.com • E-mail: info@blackbox.com

FEDERAL COMMUNICATIONS COMMISSION AND INDUSTRY CANADA RADIO FREQUENCY INTERFERENCE STATEMENTS

Class B Digital Device. This equipment has been tested and found to comply with the limits for a Class B computing device pursuant to Part 15 of the FCC Rules. These limits are designed to provide reasonable protection against harmful interference in a residential installation. However, there is no guarantee that interference will not occur in a particular installation. This equipment generates, uses, and can radiate radio frequency energy, and, if not installed and used in accordance with the instructions, may cause harmful interference to radio communications. If this equipment does cause harmful interference to radio or telephone reception, which can be determined by turning the equipment off and on, the user is encouraged to try to correct the interference by one of the following measures:

- Reorient or relocate the receiving antenna.
- Increase the separation between the equipment and receiver.
- Connect the equipment into an outlet on a circuit different from that to which the receiver is connected.
- Consult an experienced radio/TV technician for help.

Caution: Changes or modifications not expressly approved by the party responsible for compliance could void the user's authority to operate the equipment.

To meet FCC requirements, shielded cables and power cords are required to connect this device to a personal computer or other Class B certified device.

This digital apparatus does not exceed the Class B limits for radio noise emission from digital apparatus set out in the Radio Interference Regulation of Industry Canada.

Le présent appareil numérique n'émet pas de bruits radioélectriques dépassant les limites applicables aux appareils numériques de classe B prescrites dans le Règlement sur le brouillage radioélectrique publié par Industrie Canada.

Normas Oficiales Mexicanas (NOM) Electrical Safety Statement

INSTRUCCIONES DE SEGURIDAD

1. Todas las instrucciones de seguridad y operación deberán ser leídas antes de que el aparato eléctrico sea operado.
2. Las instrucciones de seguridad y operación deberán ser guardadas para referencia futura.
3. Todas las advertencias en el aparato eléctrico y en sus instrucciones de operación deben ser respetadas.
4. Todas las instrucciones de operación y uso deben ser seguidas.
5. El aparato eléctrico no deberá ser usado cerca del agua—por ejemplo, cerca de la tina de baño, lavabo, sótano mojado o cerca de una alberca, etc.
6. El aparato eléctrico debe ser usado únicamente con carritos o pedestales que sean recomendados por el fabricante.
7. El aparato eléctrico debe ser montado a la pared o al techo sólo como sea recomendado por el fabricante.
8. Servicio—El usuario no debe intentar dar servicio al equipo eléctrico más allá a lo descrito en las instrucciones de operación. Todo otro servicio deberá ser referido a personal de servicio calificado.
9. El aparato eléctrico debe ser situado de tal manera que su posición no interfiera su uso. La colocación del aparato eléctrico sobre una cama, sofá, alfombra o superficie similar puede bloquea la ventilación, no se debe colocar en libreros o gabinetes que impidan el flujo de aire por los orificios de ventilación.
10. El equipo eléctrico deber ser situado fuera del alcance de fuentes de calor como radiadores, registros de calor, estufas u otros aparatos (incluyendo amplificadores) que producen calor.
11. El aparato eléctrico deberá ser conectado a una fuente de poder sólo del tipo descrito en el instructivo de operación, o como se indique en el aparato.

12. Precaución debe ser tomada de tal manera que la tierra física y la polarización del equipo no sea eliminada.
13. Los cables de la fuente de poder deben ser guiados de tal manera que no sean pisados ni pellizcados por objetos colocados sobre o contra ellos, poniendo particular atención a los contactos y receptáculos donde salen del aparato.
14. El equipo eléctrico debe ser limpiado únicamente de acuerdo a las recomendaciones del fabricante.
15. En caso de existir, una antena externa deberá ser localizada lejos de las líneas de energía.
16. El cable de corriente deberá ser desconectado del cuando el equipo no sea usado por un largo periodo de tiempo.
17. Cuidado debe ser tomado de tal manera que objetos líquidos no sean derramados sobre la cubierta u orificios de ventilación.
18. Servicio por personal calificado deberá ser provisto cuando:
 - A: El cable de poder o el contacto ha sido dañado; u
 - B: Objetos han caído o líquido ha sido derramado dentro del aparato; o
 - C: El aparato ha sido expuesto a la lluvia; o
 - D: El aparato parece no operar normalmente o muestra un cambio en su desempeño; o
 - E: El aparato ha sido tirado o su cubierta ha sido dañada.

Video to VGA Portable

TRADEMARKS USED IN THIS MANUAL

Black Box and the Double Diamond logo are registered trademarks of BB Technologies, Inc.

IBM and PS/2 are registered trademarks of International Business Machines Corporation.

Xbox is a registered trademark of Microsoft Corporation.

Any other trademarks mentioned in this manual are acknowledged to be the property of the trademark owners.

Contents

Chapter	Page
1. Specifications	6
2. Introduction	7
2.1 Description.....	7
2.2 Package Contents.....	8
3. Installation.....	9
3.1 VGA to Video Portable's (Main Unit's) Components	9
3.2 Installation Instructions	10
4. Operation	12
4.1 Using the Remote Control	12
4.2 Menu Options	14
5. Troubleshooting	16
5.1 Calling Black Box.....	16
5.2 Shipping and Packaging.....	16

Video to VGA Portable

1. Specifications

Compliance: FCC Part 15 Class B; CE

Frequency: 60 or 75 Hz

Resolution (Maximum): 1280 x 1024

System Requirements (Minimum): VESA VGA compatible monitor, speaker with 4 ohms impedance, video input device (such as a VCR, camcorder, laser disc player, DVD, etc.); no specific PC system required

User Controls: Video to VGA Portable (main unit):
(6) buttons: Power, Enter, Source, Menu, Up, Down;

Remote control: (22) buttons: Power, Reset, PC, Video, S-Video, Menu, Exit, Up, Left, Enter, Right, Down, Sport, Static, 1280 x 1024, 1024 x 768, 800 x 600, 640 x 480, 75 Hz, 60 Hz, Vol +, Vol -

Connectors: (2) HD15 female, (1) 4-pin DIN for S-Video, (1) RCA jack for Composite video, (4) audio connectors, (1) barrel connector for power

Indicators: (1) Power LED

Power: Input: 100 to 120 VAC, 47 to 63 Hz, 1 amp;
Output: 5 VDC, 2.5 amps

Size: 1.2"H x 2.2"W x 3.7"D (3 x 5.6 x 9.4 cm)

Weight: 0.25 lb. (0.1 kg)

2. Introduction

2.1 Description

The Video to VGA Portable can turn any VGA monitor into a video monitor with remote switching capability. It provides a sharp, stable image output to VGA for a high-quality picture. Output resolutions reach 1280 x 1024 at 60 Hz or 75 Hz.

The Video to VGA Portable converts any video signal into a non-interlaced VGA signal for CRT or LCD monitors. Just plug a VCR, DVD, camcorder, laser disc player, TV game, or any other video device into the Video to VGA Portable and connect to a VGA monitor. A credit-card-sized remote control provides switching between the Composite source, the S-Video source, and the adapter (via VGA input). No software installation is necessary.

Minimum system requirements are a VESA VGA compatible monitor, a speaker with 4 ohms impedance, and a video input device (such as a VCR, camcorder, laser disc player, DVD, etc.). No specific PC system is required.

Additional features include:

- Superior video quality.
- Supports Composite video, S-Video, and VGA input.
- On-screen display (OSD) function.
- Outputs to VGA monitor.
- Supports all video standards: PAL BGHI/NTSC M, NTSC4.43 (50 Hz)/PAL4.43 (60 Hz), PAL N/NTSC4.43 (60 Hz), NTSC N/PAL M, and SECAM video systems.
- Brightness, contrast, color, hue, sharpness, picture mode, resolution, frequency, and reset control.
- 0.6 W (8-ohm) stereo power amplifier for LINE IN.
- Small, portable size.
- Supports six languages: English, French, German, Spanish, Italian, and Dutch.

Video to VGA Portable

2.2 Package Contents

Listed below is everything you should have received when you ordered the Video to VGA Portable. If any of these items are missing, please call us at 724-746-5500.

- (1) Video to VGA Portable
- (1) Remote control
- (1) 1-foot (0.3-m) VGA cable, male/male
- (1) AC adapter
- This users' manual

3. Installation

3.1 VGA to Video Portable's (Main Unit's) Components

Refer to the illustration below before installing the Video to VGA Portable. Following the illustration is a description of each of the main unit's components.

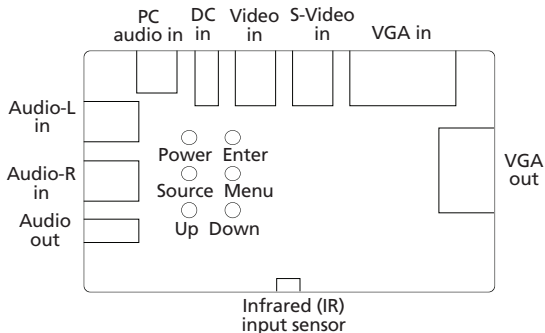


Figure 3-1. Video to VGA Portable main unit, top view.

- IR SENSOR:** The remote controller's infrared input.
- AUDIO OUT:** Stereo audio signal output. Connect to speakers.
- AUDIO IN-L,**
AUDIO IN-R: Connect to a sound device or the VCR/DVD's audio output.
- DC IN:** Connect to the supplied AC adapter.
- PC AUDIO IN:** Connect to the PC's sound card output.
- VIDEO IN:** Connect to the video source's video out (VCR, laser disc, DVD, or TV game, for example).
- S-VIDEO IN:** Connect to the video source's S-Video Out.
- VGA IN:** Connect to a VGA card with the supplied VGA cable.
- VGA OUT:** Connect to your original VGA monitor.

Video to VGA Portable

- POWER button:** Toggles the power on and off. Automatically saves the configuration setting when you turn off the power.
- SOURCE button:** Choose VGA-IN, VIDEO IN, or S-VIDEO IN as the input port.
- UP/DOWN buttons:** Use the UP/DOWN buttons to scroll through the menu options.
- ENTER button:** Press this button to confirm a selection.
- MENU button:** Press the MENU button then use the UP/DOWN buttons to scroll through the menu options (Brightness, Contrast, Color, Hue, Sharpness, Picture Mode, Language, Resolution, Frequency, or Reset) until you find the option you want to select. Then press the ENTER button to select the option.

NOTE: For details on how to use the menu options, go to Section 4.2.

3.2 Installation Instructions

Refer to Figure 3-2 and follow the steps on the next page.

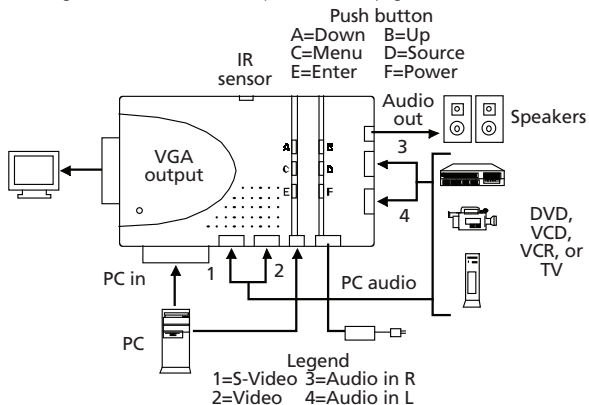


Figure 3-2. Typical installation, main unit.

1. Make sure the power is turned off on all devices.
2. Connect the input (VGA, Composite, and S-Video) and output (VGA) cables.
3. Power on the PC.
4. Turn on the video devices (TV, DVD, etc.).
5. Power on the Video to VGA Portable.
6. Use the SOURCE button on the Video to VGA Portable (main unit) or the VGA, video, or S-Video buttons on the remote control to select the input.

Video to VGA Portable

4. Operation

NOTE: In this chapter, the Video to VGA Portable is referred to as the main unit, and the remote control unit is called the remote control.

Once you've installed the Video to VGA Portable (see Section 3-2), you can control it either via buttons on the main unit itself or by using buttons on the remote control to switch input sources and adjust picture quality. The main unit and the remote control have some user-control buttons in common: Power, Menu, Enter, Up/Down (for the Video to VGA Portable unit itself), or +/- (for the remote control).

The main unit also has buttons for Source, and the remote control also has buttons for Sport, Static, Video, S-Video, PC, Reset, Exit, Resolution, and Frequency. Main unit buttons (shown in Figure 3-1) which are described in Section 3.1. Remote control buttons (shown in Figure 4-1) are described in Section 4.1. Menu options for both local and remote units are explained in Section 4.2.

4.1 Using the Remote Control

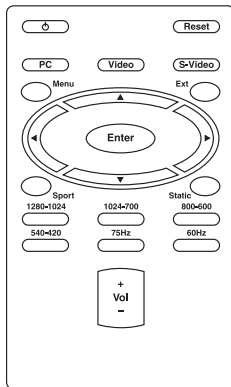


Figure 4-1. The remote control.

POWER button:	Toggles between power on and off. Automatically saves the configuration settings when you turn off the unit.
RESET button:	Press this button to reset to the default setting.
PC button:	Press this button to select PC (VGA) input.
VIDEO button:	Press this button to select video input.
S-VIDEO button:	Press this button to select S-Video input.
MENU button:	Press the MENU button, then using the "+" and "-" buttons, select Brightness, Contrast, Color, Hue, Sharpness, Picture Mode, Language, Resolution, Frequency, or Reset. Then press the ENTER button.
EXIT button:	Press this button to exit without saving a configuration setting.
ENTER button:	Press this button to confirm a selection.
SPORT button:	For video gaming, press the SPORT button to select the dynamic picture mode. Press the "+" and "-" buttons to toggle between PS/2®, Xbox®, VCR, DVD, etc.
STATIC button:	Press this button to select the static picture mode.
NOTE:	Menu options (for either the main unit or the remote control) are described in Section 4.2.
+/- buttons:	Use the +/- buttons to scroll through menu options.
1280–1024	Press this button to select 1280 x 1024 resolution.
1024–700	Press this button to select 1024 x 700 resolution.
800–600	Press this button to select 800 x 600 resolution.
540–420	Press this button to select 540 x 420 resolution.
75 Hz	Press this button to select 75 Hz frequency.
60 Hz	Press this button to select 60 Hz frequency.
VOLUME	Press this button to adjust the volume.

Video to VGA Portable

4.2 Menu Options

The menu options listed in this section are accessible from both units. You can control the menu functions activated by the MENU button via either unit. To access the menu, press the MENU button.

NOTE: On the main unit, you will use the UP/DOWN buttons to scroll through menu options. On the remote control, you'll use the +/- buttons for scrolling.

BRIGHTNESS: Brightness adjustment. Using the UP/DOWN or +/- buttons, scroll through the menu to select this option. Press ENTER, then press the UP/DOWN or "+" and "-" button to increase or decrease the brightness level.

CONTRAST: Contrast adjustment. Using the UP/DOWN or +/- buttons, scroll through the menu to select this option. Press ENTER, then press the UP/DOWN or "+" and "-" button to increase or decrease the contrast level. Choose from 0 to 100. (The default value is 50.)

COLOR: Color adjustment. Using the UP/DOWN or +/- buttons, scroll through the menu to select this option. Press ENTER, then press the UP/DOWN or "+" and "-" button to adjust the color. Choose from 0 to 100. (The default value is 50.)

HUE: Hue adjustment. Using the UP/DOWN or +/- buttons, scroll through the menu to select this option. Press ENTER, then press the UP/DOWN or "+" and "-" button adjust the hue. Choose from 0 to 100. (The default value is 50.)

SHARPNESS: Sharpness adjustment. Using the UP/DOWN or +/- buttons, scroll through the menu to select this option. Press ENTER, then press the UP/DOWN or "+" and "-" button to increase or decrease the sharpness. Choose from 0 to 15. (The default value is 8.)

PICTURE MODE: Using the UP/DOWN or +/- buttons, scroll through the menu to select this option. Press ENTER, then press the UP/DOWN or "+" and "-" button to increase or decrease the picture mode. Choose from 0 to 15. (The default value is 8.)

NOTE: The Language menu option is not available on the Remote Control.

LANGUAGE: Using the UP/DOWN buttons, scroll through the menu to select this option. Press ENTER, then press the UP/DOWN buttons to select a language. Choose from six languages: English, French, German, Spanish, Italian, and Dutch.

NOTE: The Resolution, Frequency, and Reset options are controlled either via individual buttons or menu options on the remote control, but are only menu options for the Video to VGA Portable main unit.

RESOLUTION: Press the 1280–1024, 1024–700, 800–600, or 540–420 button on the remote control to select the resolution. Or, to select this option via menu keys on the remote control or main unit, use the “+” and “-” or UP/DOWN buttons to scroll to this option on the menu. Press ENTER, then press the “+” and “-” or UP/DOWN buttons to select 640 x 480, 800 x 600, or 1024 x 768. (The default value is 640 x 480.)

FREQUENCY: Press the 60 Hz or 75 Hz button on the remote control to select this option. Or, to select this option via menu keys on the remote control or main unit, use the “+” and “-” or UP/DOWN buttons to scroll to this option on the menu. Press ENTER, then press the “+” and “-” or UP/DOWN buttons to select 60 or 75 Hz. (The default value is 60 Hz.)

RESET: Press this button on the remote control to select this option. Or, to select this option via menu keys on the remote control or main unit, use the “+” and “-” or UP/DOWN buttons to scroll to this option on the menu. Press ENTER to reset to the default setting.

5. Troubleshooting

5.1 Calling Black Box

If you determine that your Video to VGA Portable is malfunctioning, do not attempt to alter or repair the unit. It contains no user-serviceable parts. Contact Black Box at 724-746-5500.

Before you do, make a record of the history of the problem. We will be able to provide more efficient and accurate assistance if you have a complete description, including:

- the nature and duration of the problem.
- when the problem occurs.
- the components involved in the problem.
- any particular application that, when used, appears to create the problem or make it worse.

5.2 Shipping and Packaging

If you need to transport or ship your Video to VGA Portable:

- Package it carefully. We recommend that you use the original container.
- If you are shipping the Video to VGA Portable for repair, make sure you include everything that came in the original package. Before you ship, contact Black Box to get a Return Authorization (RA) number.

Black Box Tech Support: FREE! Live. 24/7.

Tech support the
way it should be.



Great tech support is just 20 seconds away
at 724-746-5500 or blackbox.com.



About Black Box

Black Box Network Services is your source for more than 118,000 networking and infrastructure products. You'll find everything from cabinets and racks and power and surge protection products to media converters and Ethernet switches all supported by free, live 24/7 Tech support available in 20 seconds or less.

© Copyright 2009. All rights reserved.