

Crane

INSTRUCTION MANUAL

1 GALLON/ 3.78 LITER ULTRASONIC HUMIDIFIER

MODEL# EE-5301, EE-5301W, EE-5301P, EE-5301O, EE-5301G



**PLEASE READ AND SAVE ALL INSTRUCTIONS TO ENSURE THE
SAFE AND EFFECTIVE USE OF THIS APPLIANCE.**

TABLE OF CONTENTS

Table of Contents	P.1
Important Safety Instructions	P. 2
General Safety Instructions	P.3
List of Main Parts	P.4
Tech. Specifications, Contents of Packaging	P.5
Operation and Use	P.5-8
Maintenance	P.8-9
Trouble Shooting	P.9
Service Center Information	P.10
Warranty Information	P.11
Warranty Card	P.12
Order Form	P. 13



IMPORTANT SAFETY INSTRUCTIONS

INTRODUCTION

Thank you for purchasing our CRANE Ultrasonic Humidifier. Each unit has been manufactured to ensure safety and reliability. Before using the humidifier for the first time, please read the instructions carefully, and keep them for further reference.

WARNING! READ AND SAVE THESE INSTRUCTIONS. Failure to follow all the instructions listed below may result in electric shock, fire and/or serious personal injury.

1. **DO NOT carry water tank by handle when it is filled with water. It is advisable to carry filled water tank with two hands.**
2. **DO NOT operate outdoors; this humidifier is intended for indoor use only.**
3. Always have water in the water tank when operating the unit.
4. Use only clean, cool tap water to fill the tank (filtered or distilled water is recommended to avoid white dust if tap water is too hard). DO NOT use hot water.
5. Be sure that the filling cap of the tank is firmly tightened. Always have the mist direction nozzle and the mist chamber in place while the unit is operating. Place the mist so it aims away from children, walls, furniture, and electrical appliances.
6. Use only a 110-120VAC outlet. **ALWAYS plug and unplug unit with dry hands.**
7. Never operate the unit with a damaged cord or plug.
8. Always place the unit on a smooth, flat, lint free, non-metallic, level, waterproof surface, and away from direct sunlight. Keep the cord away from heated surfaces and areas where it could be walked on or tripped over. Unplug the unit when not in use and whenever you clean or move the unit.
9. Do not add medication of any type into the nozzle, base or water tank. Do not cover any openings on the unit or insert objects into any openings.
10. The unit should not be left unattended in a closed room as the air could become saturated and leave condensation on walls or furniture. Leave room door partly open.
11. When cleaning the inside of the unit keep water away from the air outlet / fan vent (see FIG.3). The exterior may be wiped with a damp cloth, except the electrical controls, **only when the unit is off and unplugged.** Humidifier requires regular cleaning. Refer to cleaning instructions.
12. Do not tilt or tip the unit or attempt to empty or fill it while it is in operation.
13. Do not use a detergent to clean any parts of the unit that contain water. Always use a few drops of bleach or white vinegar with water to clean humidifier. Detergent film dissolved in the water supply can interfere with the unit output.

SAVE THESE INSTRUCTIONS!

GENERAL SAFETY INSTRUCTIONS



WARNING! Read and understand all instructions. Failure to follow all instructions listed below may result in electric shock, fire or serious personal injury. The warnings, cautions, and instruction discussed in this instruction manual cannot cover all possible conditions and situations that may occur. It must be understood by the operator that common sense and caution are a factor which cannot be built into this product, but must be supplied by the operator.

THIS HUMIDIFIER IS NOT A TOY!

Do not let your child play with this appliance. Serious injury and electrocution might be possible. This appliance has to be operated by an adult only. Children should be supervised to ensure that they do not play with the humidifier.

IMPORTANT: This appliance is not intended for use by persons (including children) with reduced physical, sensory or mental capabilities, or lack of experience and knowledge of this product, unless they have been given supervision or instruction concerning use of the appliance by a person responsible for their safety.

SAVE ALL INSTRUCTIONS!

CAUTION: A short power supply cord is provided to reduce the risk of personal injury resulting from becoming entangled in or tripping over a longer cord. Extension cords are available from local hardware stores and may be used if care is exercised in their use. If an extension cord is required, special care and caution is necessary. Also the cord must be: (1) marked with an electrical rating of 125 V and at least 13 A., 1625 W., and (2) the cord must be arranged so that it will not drape over the countertop or tabletop where it can be pulled on by children or tripped over accidentally.

ELECTRIC POWER

If electric circuit is overloaded with other appliances, your appliances may not operate properly. The appliances should be operated on a separate electrical circuit from other operating appliances.

POLARIZED PLUG

This appliance has a polarized plug (one blade is wider than the other). As a safety feature to reduce the risk of electrical shock, this plug is intended to fit in a polarized outlet only one way. If the plug does not fit fully in the outlet, reverse the plug. If it still does not fit, contact a qualified electrician. Do not attempt to defeat this safety feature.



SAFETY WARNING



Although your appliance is easy to operate, for your safety, the below warnings must be followed:

1. Do not place the appliance near a heat source.
2. Never leave the appliance unattended while connected to the electrical outlet.
3. To avoid any accidents, never put a hand over a vapor output slot and never cover it when the appliance is in operation.
4. Use the appliance on a stable surface away from water.
5. Do not unplug from the wall socket by pulling on the supply cord.
6. The appliance must be unplugged:
 - A. Before either filling or emptying
 - B. Before any cleaning or maintenance
 - C. After use
 - D. If it appears to be faulty

THIS PRODUCT IS INTENDED FOR HOUSEHOLD USE ONLY.

LIST OF MAIN PARTS

PARTS DESCRIPTION

Fig. 1 (Central Body)

1. On/Off Control Knob
- (NOTE: Depending on humidifier color the control knob may be a different style)
2. Central body with water basin
3. Indicator light



Fig. 1

Fig. 2 (Top of Water Tank)

4. Mist Outlet Channel
5. Water Tank Handle

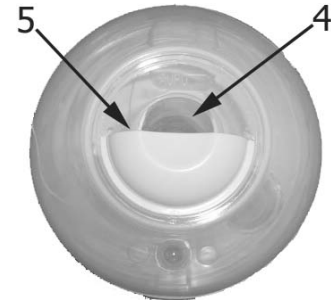


Fig. 2

Fig. 3 (Water Basin)

3. Indicator Light
6. Nebulizer
7. Mist Chamber
8. Fan Vent
9. Valve Opener
10. Water Level Sensor

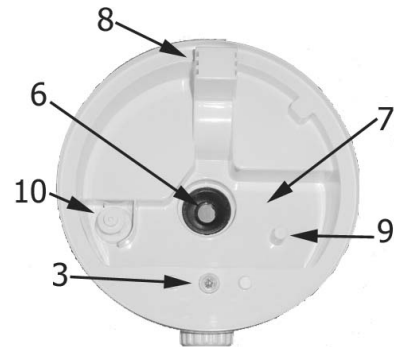


Fig. 3

Fig. 4 (Bottom of Water Tank)

11. Water Tank Valve
12. Water Tank Cap
13. Mist Outlet Channel

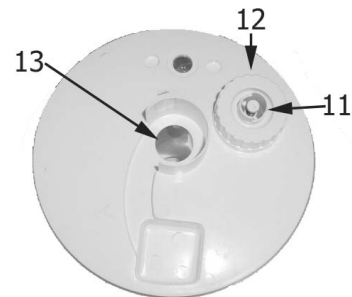


Fig. 4

Fig. 5 (Water Tank Lid)

14. Water Tank Lid
15. Mist Output Slot

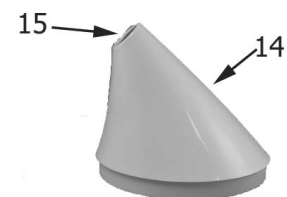


Fig. 5

TECHNICAL SPECIFICATIONS:

Rating Voltage	120V
Frequency	60Hz
Power	38W
Water Tank Capacity	Approx. 0.9 Gallon / 3.3 Liter
Output Per 24 Hours	Approx. 2.3 Gallon / 8.7 Liter
Run Time Per Tank	Up to 24 Hours
Humidifying Capacity	Up to 250 sq.ft. / 23 m ²
Noise	< 35 (dB) A

CONTENTS OF PACKAGING

- a. Instruction Manual
- b. Central Humidifier Body
- c. Water Tank
- d. Water Tank Lid with Mist Output Slot

If any of the above items are missing, please contact our service department at 1-888-599-0992 (<http://www.crane-usa.com>) for replacement. Business hours Mon-Fri 9:00am - 4:00pm CT

OPERATION AND USE

BEFORE EACH USE

CHECK HUMIDIFIER PLACEMENT - Place the Humidifier on elevated non-metallic lint free, waterproof, level surface at least 5 inches away from walls and heat sources. This is to help disperse the mist in the air, and prevent it from being knocked over or cause moisture damage to surface.

DO NOT place Humidifier on top of a towel, or a carpeted surface. The fan vent on the bottom may become blocked, and overheat the humidifier.

DO NOT place the humidifier on a wood surface or near furniture that can be damaged by too much moisture.

CHECK FAN VENT - This fan vent is located on the bottom of the humidifier. The purpose of the Fan Vent is to blow the cool mist through the mist outlet slot. It is important that this part is kept clean and free of obstructions. We recommend checking the fan vent before using this item (i.e. lint, paper)

CAUTION:

DO NOT operate the humidifier without water in the water tank.

DO NOT plug in the cord with wet hands; electric shock could happen.

ASSEMBLY

1. Lift the water tank off the central body.
2. Turn over the water tank and unscrew the water tank cap at the bottom of the tank by turning it counterclockwise. (See Fig. 6)



Fig. 6

3. Fill water tank with cold water; do not fill all the way to the rim. **DO NOT CARRY FULL WATER TANK BY HANDLE.** ALWAYS HOLD FULL WATER TANK WITH TWO HANDS ON EITHER SIDE OF WATER TANK (See Fig. 7).

Note: To avoid possible white dust due to hard water it is recommended to use distilled or filtered water.

DO NOT use hot water. Use cool tap water.

DO NOT add any medication to other additives to the water

DO NOT pour water into Mist Outlet Channel.



Fig. 7

4. Replace the water tank cap, aligning the threads on the tank with the threads on the cap, and turn it clockwise. (See Fig. 8)



Fig. 8

5. Turn the tank over, holding one hand by the top handle and another hand under tank. Place full water tank on the central body, making sure it fits perfectly. Place the water tank lid with output slot on top of the water tank. (see Fig. 9)



Fig. 9

6. Plug the power cord into a wall socket and turn on the unit. The On/Off switch is located at the turning knob.

- The Indicator Light will turn on. In a few seconds mist will start emitting through the openings at output slot.
- Use the control knob to adjust the intensity of the vapor output. Turning the knob clockwise will increase the moisture output, turning the knob counterclockwise will reduce the moisture output (**see Fig. 10**).



Fig. 10

- When the humidifier runs out of water the humidifier will automatically shut off and the mist will stop. This safety feature uses a water level sensor to stop the nebulizer once the water level sinks below the required level in the water basin. Turn the humidifier off and unplug before removing and refilling the water tank. **Please note that the Indicator Light will stay on. The light indicates that the humidifier has power and is turned on.**

OPTIONAL HUMIDIFIER FILTER
(Filters are not included with the humidifier and can be purchased separately from Crane USA.)

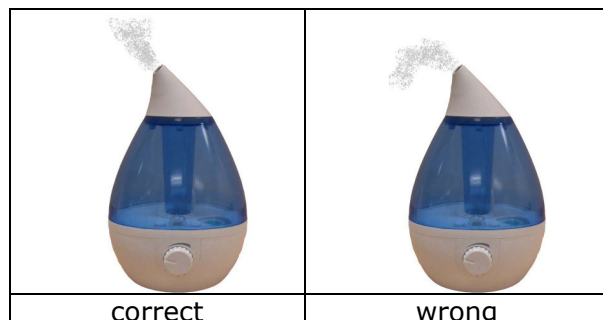
A humidifier filter is an optional accessory for your Crane Cool Mist Humidifier. Filters are used to reduce white dust caused by hard water. Soak humidifier filter in water for 30 minutes to activate performance. Place humidifier filter inside Water Basin. For more information visit www.crane-usa.com

SET THE CORRECT HUMIDITY OUTPUT

ALWAYS PLACE THE HUMIDIFIER ON AN ELEVATED NON-METALLIC, LINT FREE, WATERPROOF, LEVEL SURFACE FOR BEST PERFORMANCE.

Adjust the vapor control so that the vapor rises up and gets absorbed by the room air. Do not turn on too high output as the vapor cannot be absorbed by the air and accumulates on the surface around the humidifier.

If the humidifier is placed near a fan or air conditioning outlet the vapor may be forced down by the foreign air stream. Change the location of the humidifier or reduce the output of the other room conditioning appliances.



A NOTE ABOUT HUMIDITY

- It is best to keep the humidity level at about 30-50 percent of relative humidity.
- The comfort level of humidity will vary from room to room and with changing room conditions.
- In cold weather, windows and even some walls may fog or develop frost from excessive indoor humidity. If this occurs, reduce the mist intensity setting to avoid damage from condensed water dripping on windowsills.
- Too much humidity in the room may allow moisture to accumulate on surfaces where bacteria and fungi can grow. Moisture that gathers may also damage furniture and walls, especially wallpaper.
- To eliminate excessive humidity, especially in small rooms, leave the room door open and adjust the mist intensity control setting.

MAINTENANCE

Cool mist humidifiers are important to keep clean. Cleaning and disinfecting on a regular basis is important for maintaining a humidifier's performance. Bacteria can multiply in sitting water and re-enter the air if maintenance is not performed. Here are a few steps you can take to keep your air fresh.

Always be sure that the appliance is unplugged and switched OFF before cleaning or attempting to store the item. NEVER PLUG OR UNPLUG UNIT WITH WET HANDS.

DO NOT leave water in water tank or water basin when unit is not in use as it may result in the build up of mineral deposits and bacteria that can inhibit the output efficiency of the humidifier. ALWAYS use fresh water.

DAILY MAINTENANCE

1. Always turn off and unplug humidifier from outlet before cleaning.
2. Empty water from the water tank and water basin daily.
3. Wipe and dry water basin with a clean, dry cloth or paper towel
4. Replace the water tank. You are now ready to use your humidifier.

WEEKLY MAINTENANCE

1. Always turn off and unplug from outlet before cleaning
2. Remove the tank from the base and empty the water from both the tank and the water basin.
3. Fill the water tank with ½ gallon of warm water. Add 2 Tablespoons of white vinegar. Shake vigorously and allow to sit for 20 minutes. Shake vigorously again and empty the water. Rinse water tank a few times to get rid of the vinegar smell.
4. Make same white vinegar water solution. Pour into water basin. Let sit for 20 minutes then empty. Rinse with only water a few times to remove any vinegar smell. Wipe with a clean soft cloth. Wipe dry.
5. Wipe the exterior surface water tank and water basin with a soft, dry cloth. NEVER IMMERSE WATER BASIN IN WATER.

END OF SEASON MAINTENANCE

1. Remove the tank from the base. Empty the water from the tank and the base.
2. Disinfect water tank and water basin with the white vinegar and water solution.
3. Make sure that water tank has air dried without the water cap secured.
4. Make sure the water basin and water tank is completely dry before end of season storage. Store the humidifier in a cool dry place.

STORING YOUR HUMIDIFIER

Allow the appliance to dry completely before storing. Store the appliance in a dry location. Do not place any heavy items on top of appliance during storage as this may result in possible damage of the appliance. Store the cord in a clean, dry location away from metal objects. Always check the plug before use to assure metal items have not become attached.

TROUBLE SHOOTING

CAUTION: DO NOT attempt to repair the motor or nebulizer yourself. If the humidifier continues to not operate please call our service center (see toll free number below).

Problem	Solution
<i>Humidifier is working than stops:</i>	<ul style="list-style-type: none"> ▪ Ensure that water level float is assembled properly.
<i>If humidifier does not work at all:</i>	<ul style="list-style-type: none"> ▪ Ensure it is properly plugged into a power outlet. ▪ Check that the switch is in the ON position. ▪ If Power On indicator light does not come on contact Crane service center.
<i>If there is a strange odor:</i>	<ul style="list-style-type: none"> ▪ Clean the tank with water and few drops of white vinegar with water solution and rinse with clean water. ▪ Leave the tank open for some time without the cap, in a cool place.
<i>The power light is on but there is no mist being emitted:</i>	<ul style="list-style-type: none"> ▪ Check that there is water in the tank. ▪ Check for possible lime deposits on the water level float or the nebulizer. ▪ Make sure that nothing blocks the mist output slot. ▪ Check that the air vent on bottom of humidifier is not blocked. ▪ Empty the humidifier and rinse the water basin with cool tap water and allow to dry for 15 to 30 min.
<i>White dust appears and settles outside the humidifier:</i>	<ul style="list-style-type: none"> ▪ Area tap water may have too many minerals, change to filtered or distilled water.

SERVICE CENTER

If you have any question in regards to the operation of this appliance or are in need of a spare part please contact our service center at:

Crane USA Inc.

Tel: 1-888-599-0992 (Business Hours Mon-Fri 9:00am-4:00 pm Ct)

Website: <http://www.crane-usa.com>

621 Route 83, Ste. 202

Bensenville, Illinois 60106

NOTE: Spare Parts can also be purchased online at www.crane-usa.com under customer service, order spare parts.

ENVIRONMENTAL PROTECTION



If the appliance should no longer work at all, please make sure that it is disposed in an environmentally friendly way, by handing it into a public collection point. Please do not put it with your household waste.

WARRANTY

Thank you for purchasing a top quality **Crane** product. This Ultrasonic Humidifier was tested and meets our stringent quality standards. This product is warranted to be free from manufacturing defects under normal use and conditions for 1 year.

NEED HELP?

PLEASE DO NOT RETURN THIS PRODUCT TO THE STORE. CALL US FOR PROBLEMS AND QUESTIONS. WE CAN HELP.

If you experience unsatisfactory operation, first refer to the troubleshooting section in manual to ensure that it is not due to care of cleaning. Follow Care and Cleaning Instructions. You can also visit www.crane-usa.com customer service.

If you have any questions or comments please call our Crane Service Center 1-888-599-0992 or e-mail Crane Customer Service Center, customer-service@crane-usa.com. Please specify style and model number. Our Customer Service Representative will advise you how to correct the problem yourself, or will ask you to return the product for repair or replacement.

WARRANTY IS ONLY VALID WITH A DATED PROOF OF PURCHASE.

The warranty is void if the defect is due to accidental damage, misuse, abuse, neglect, improper repair or alteration by unauthorized persons or failure to follow operation instructions provided with the product. This warranty does not apply to normal wear and tear, as well as commercial use.

The warranty is non-transferable and applies only to the original purchase and does not extend to subsequent owners of the product. Liability under this warranty is limited to repair, or replacement. In no event shall liability exceed the purchase price paid by the purchaser of the product. Under no circumstances shall there be liability for any loss, direct, indirect, incidental, special or consequential damage arising out of in connection with use of this product.

This warranty is only valid in the 48 contiguous states plus the District of Columbia. Excluding Alaska, Hawaii, Puerto Rico, and the Virgin Islands. This warranty is effective only if the product is purchase and operated in the United States of America.

This Warranty gives you specific legal rights. However you may have other rights that vary from state to state. Some states do not allow limitation on implied warranties or exclusion of consequential damages therefore these restrictions may not apply to you.

Any instruction or warranty included in this manual may be subject to change without notice. For the most up to date set of instructions and warranty please contact us or visit our web site.

Crane USA Inc.

Tel: 1-888-599-0992 (Business Hours Mon-Fri 9:00am-4:00 pm CT)

Website: <http://www.crane-usa.com>

621 Route 83, Ste. 202, Bensenville, Illinois 60106

WARRANTY INFORMATION

WARRANTY CARD



Ultrasonic Humidifier

This product is warranted to be free from manufacturing defects in original materials, including original parts and workmanship, for 1 year with dated proof of purchase. Any instructions or warranties included in this manual may be subject to change without notice. For the most up-to-date instructions and warranty information, please contact us or visit our website: www.crane-usa.com.

NOTE: Spare Parts can also be purchased online at www.crane-usa.com under customer service, order spare parts.



Please read limited Warranty conditions mentioned in this instruction manual!

Please print clearly and fill in details below.

Send Warranty Card with product and dated purchase receipt or copy of receipt.

PLEASE DETACH THIS SECTION AND RETURN IT WITH YOUR PRODUCT

WARRANTY CARD

Customer Name	
Street Address	
City, State, Zip	
Phone (Day/Cell)	
E-mail address	
Model #/Style (Example: color)	
RA#	
Purchase Date	
Description of Defect:	

Crane USA Inc.
621 Route 83, Ste 202, Bensenville, Illinois 60106

Tel: 1-888-599-0992 (Business Hours: Mon-Fri 9:00 am-4:00 pm CT)
Website: <http://www.crane-usa.com>



ORDER FORM

FOR DROP SHAPE HUMIDIFIER REPLACEMENT PARTS

Price per Water Tank: \$26.00*
Price per Water Tank Cap: \$10.00*
Price per Water Tank Mist Lid: \$10.00*
*(includes shipping and handling)

Please send a **CHECK or MONEY ORDER only** (no cash)
Made payable to **CRANE USA.** to:

Crane USA, Inc.
621 Route 83, Ste 202
Bensenville, IL 60106

Completely fill in information below and send with your Check or Money Order.
Please print clearly to avoid delays.

Name
Street Address
(No PO Boxes!)
City
State
ZIP
Phone #(Day & Cell)
E- Mail Address
Model #/Color

Water Tank ____ @	
Water Tank Cap ____ @	\$
Water Tank Mist Lid ____ @	\$
Total Enclosed	\$